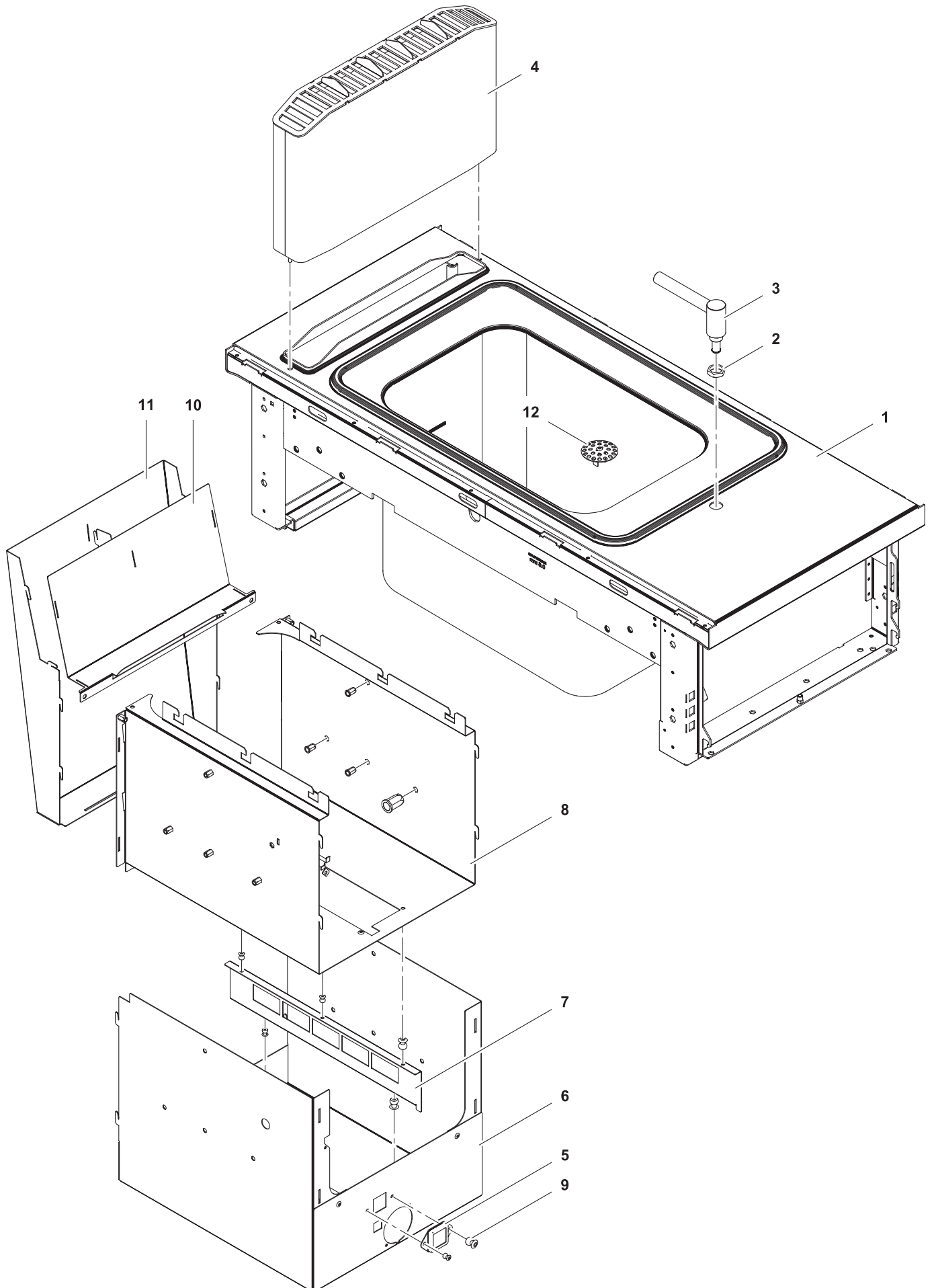


**THERMALINE 80/85/90**

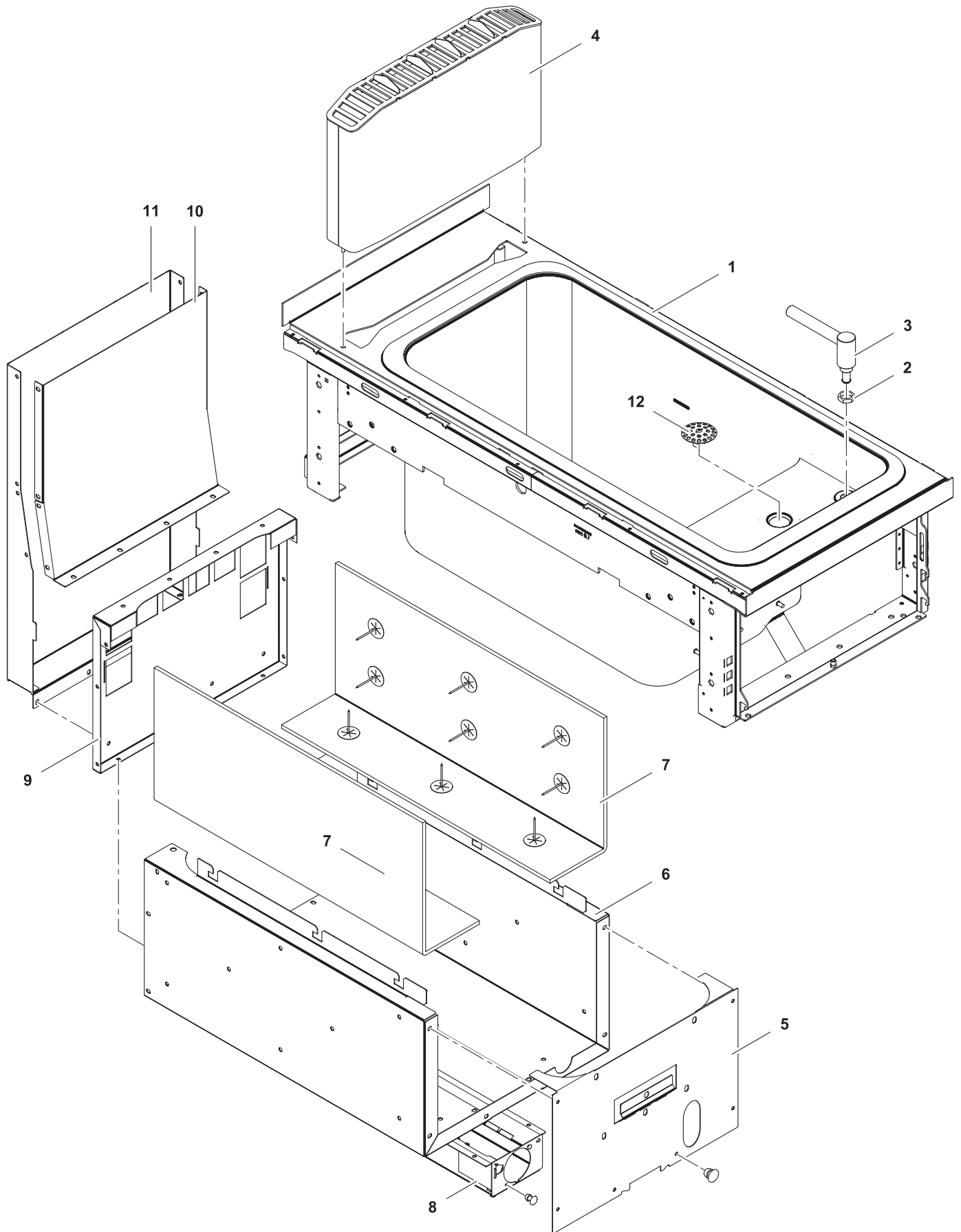
**DE** GAS NUDELKOCHER 20L / 40L  
**EN** GAS PASTA COOKER 20L / 40L

| PNC    | Factory Model | Ref. | Description                          |
|--------|---------------|------|--------------------------------------|
| 588626 | MBKDGBDDPO    | a    | 20L, C-BOARD, 400X850X700H           |
| 593117 | MBKDGBDDVO    | a    | 20L, C-BOARD, TOWNGAS, 400X850X700H, |
| 589473 | MCKDEADDPO    | b    | 20L, 400X900X700H                    |
| 589474 | MCKDEBDDPO    | b    | 20L, C-BOARD, 400X900X700H           |
| 593338 | MCKDEADDVO    | b    | 20L, TOWNGAS, 400X900X700H           |
| 593339 | MCKDEBDDVO    | b    | 20L, C-BOARD, TOWNGAS, 400X900X700H  |
| 589477 | MCKDFADDPO    | c    | 20L, 400X900X800H                    |
| 589478 | MCKDFBDDPO    | c    | 20L, C-BOARD, 400X900X800H           |
| 589294 | MCKFEADDPO    | d    | 40L, 400X900X700H                    |
| 589295 | MCKFEBDDPO    | d    | 40L, C-BOARD, 400X900X700H           |
| 593340 | MCKFEADDVO    | d    | 40L, TOWNGAS, 400X900X700H           |
| 593341 | MCKFEBDDVO    | d    | 40L, C-BOARD, TOWNGAS, 400X900X700H  |
| 589451 | MCKFFADDPO    | e    | 40L, 400X900X800H                    |
| 589452 | MCKFFBDDPO    | e    | 40L, C-BOARD, 400X900X800H           |

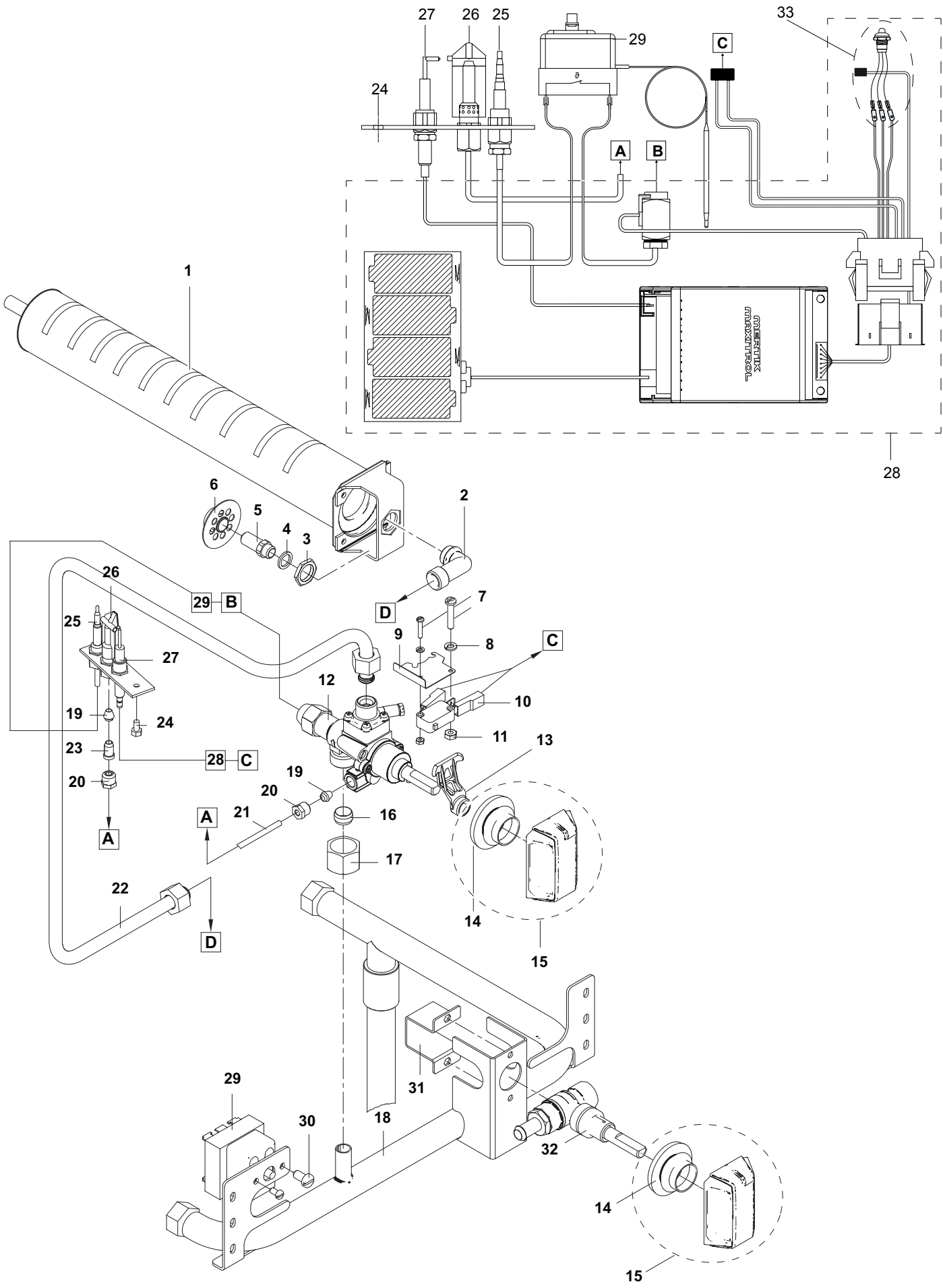
| Page                              | Index                       | Last Updates | Page       | Pos.                          |
|-----------------------------------|-----------------------------|--------------|------------|-------------------------------|
| 2                                 | Mechanical Module 20L       | 12/2015      | all        |                               |
| 4                                 | Mechanical Module 40L       | 04/2016      | all        |                               |
| 6                                 | Gas heating system          | 12/2016      | 10/11      |                               |
| 8                                 | Water connections 20L / 40L | 09/2017      | 12, 13     |                               |
| 10                                | Other parts 20L / 40L       | 02/2018      | 3 / 9 / 11 | 12 / 1, 5, 6, 7, 12 / 4, 5, 6 |
|                                   |                             | 04/2018      | 9          | 1                             |
|                                   |                             | 10/2018      | 6, 7       | 33                            |
|                                   |                             | 11/2018      | 11         | 22, 23, 24, 25, 26            |
|                                   |                             | 12/2018      | 7          | 15                            |
| <b>Valid from Ser. № 3101....</b> |                             | 03/2019      | 7          | 13                            |
|                                   |                             | 05/2019      | 7          | 14, 15                        |



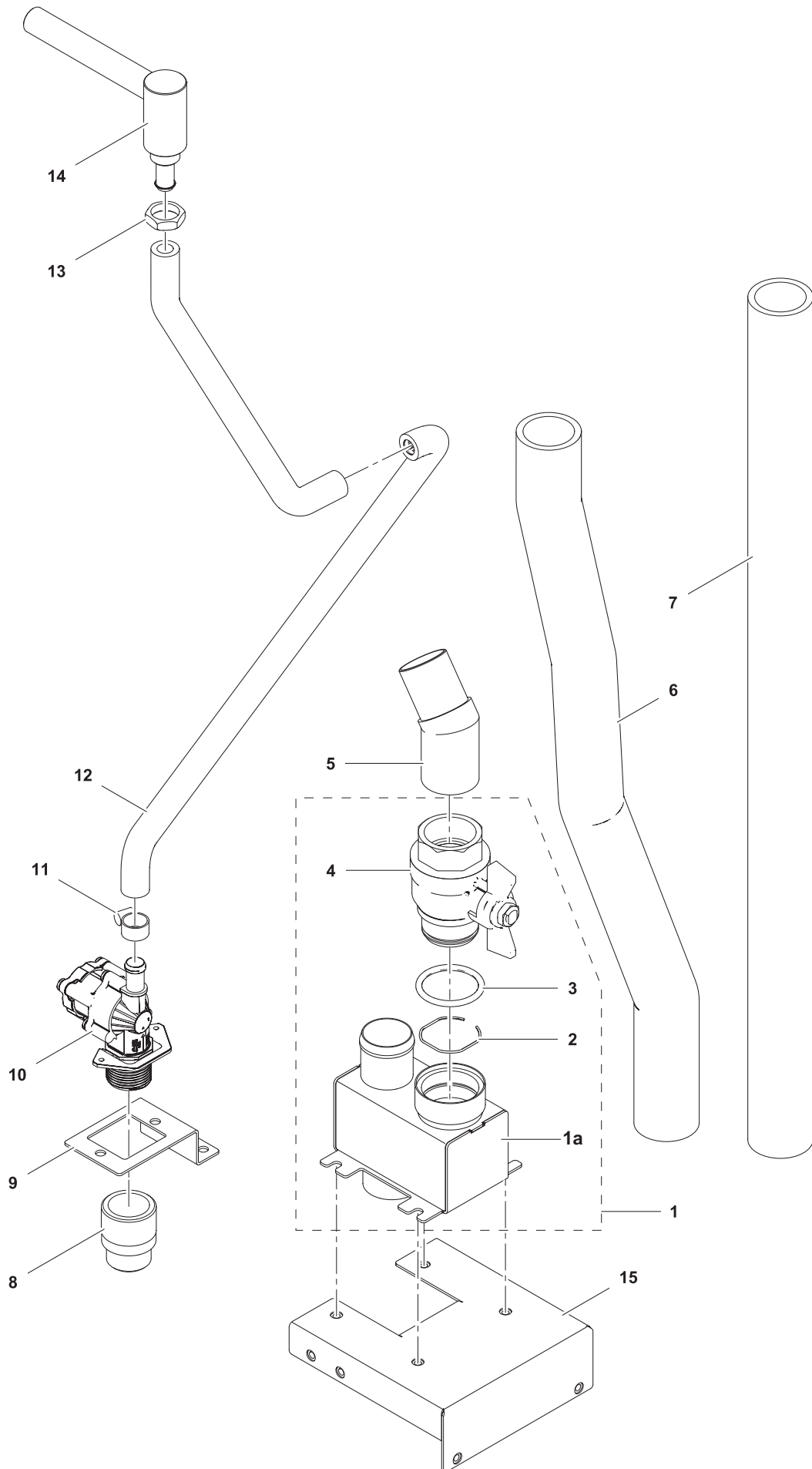
| 1  | Alias      | Code   | Bezeichnung                         | Description                     | Ref.    | Valid from<br>Serial N° |
|----|------------|--------|-------------------------------------|---------------------------------|---------|-------------------------|
| 1  | 82.0615.01 | *      | Top geschweisst 400x850 mit C-Board | Top welded 400x850 with C-Board | a       |                         |
|    | 82.0615.02 | *      | Top geschweisst 400x900             | Top welded 400x900              | b c     |                         |
|    | 82.0615.03 | *      | Top geschweisst 400x900 mit C-Board | Top welded 400x900 with C-Board | b c     |                         |
| 2  | 87.4749    | 0G6909 | Mutter 3/8"                         | Nut 3/8"                        | a b c   |                         |
| 3  | 82.7036    | 0C5567 | Wasserhahn                          | Water tap                       | a b c   |                         |
| 4  | 82.4044.01 |        | Kamin                               | Chimney                         | a b c   |                         |
| 5  | 75.8018    | 0U0176 | Glasrahmen Zündflamme               | Glas frame for injector         | a b c   |                         |
| 6  | 82.4055    |        | Aussenwand                          | External panel                  | a b c   |                         |
| 7  | 82.4056    |        | Trennwand Brenner                   | Divider for burner              | a b c   |                         |
| 8  | 82.4054    |        | Innenwand                           | Internal Panel                  | a b c   |                         |
| 9  | 1 701 5075 | 0G7624 | Niete Ø4.1                          | Rivet Ø4.1                      | a b c   |                         |
| 10 | 82.4058    |        | Abdeckung Kamin                     | Chimney front cover             | a b c   |                         |
| 11 | 82.4057    |        | Basisblech Kamin                    | Backside Chimney                | a b c   |                         |
| 12 | 72.2973    | OKT762 | Sieb                                | Strainer                        | a b c   |                         |
|    | 83.9515    | 0G8200 | Sieb UL                             | Strainer UL                     | for USA |                         |





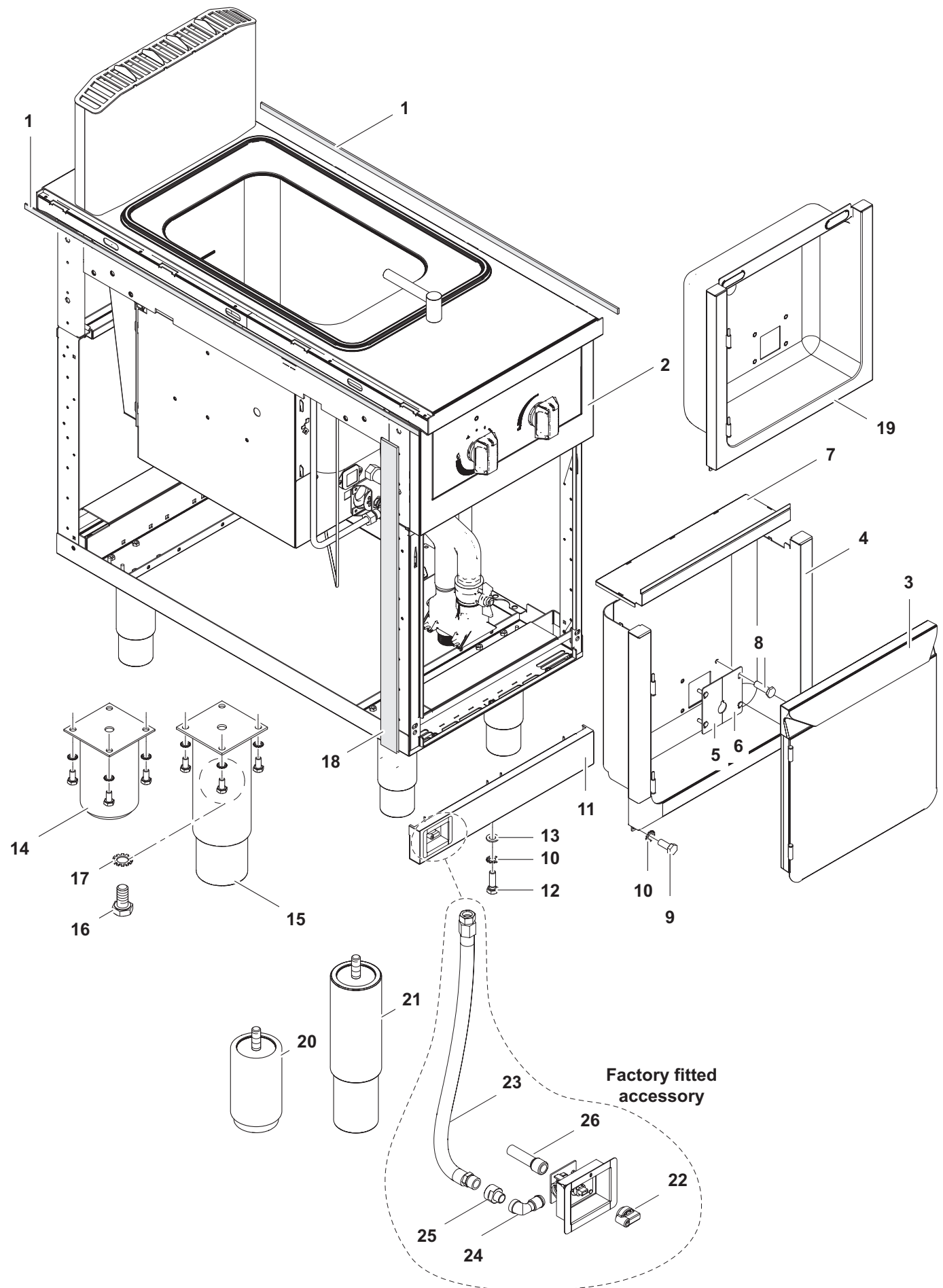


| <b>3</b> | <b>Alias</b>    | <b>Code</b> | <b>Bezeichnung</b>         | <b>Description</b>            | <b>Ref.</b> | <b>Valid from Serial N°</b> |
|----------|-----------------|-------------|----------------------------|-------------------------------|-------------|-----------------------------|
| 1        | 82.7041         | 0C6795      | Brenner 20L                | Burner 20L                    | a b c       |                             |
|          | 82.7062         | 0C8028      | Brenner 40L                | Burner 40L                    | d e         |                             |
| 2        | 82.7126         | 0G8114      | Düsenträger                | Nozzle holder                 | all types   |                             |
| 3        | 72.7748         | 020997      | Gegenmutter zu Düse        | Counter nut to nozzle         | all types   |                             |
| 4        | 72.7747         | 054029      | Dichtung zu Düse           | Gasket to nozzle              | all types   |                             |
| 5        | See nozzle list | -           | Düse                       | Nozzle                        | all types   |                             |
| 6        | 1 106 1202      | 054039      | Halter Gasdüse             | Holder Nozzle                 | all types   |                             |
| 7        | 1 701 1087      | 0G6797      | Zylinderschraube M3x16     | Cylinder screw M3x16          | all types   |                             |
| 8        | 1 701 5068      | 0KW901      | Federring M3               | Lockwasher                    | all types   |                             |
| 9        | 82.4068         | 0G6944      | Stütze Microswitch         | Support Microswitch           | all types   |                             |
|          | 82.4678         | 0G7909      | Stütze Mikroschalter       | Microswitch support           | all types   | 7031...                     |
| 10       | 82.7156         | 053671      | MICROSWITCH XGG2-88-J27Z1  | MICROSWITCH XGG2-88-J27Z1     | all types   |                             |
| 11       | 1 701 3057      | 0U0182      | Mutter M3                  | Nut M3                        | all types   |                             |
| 12       | 82.7040         | 0C8647      | Gasregulierhahn            | Gas adjusting valve           |             |                             |
|          | 712 344996      | 0K5756      | Gasregulierhahn Stadtgas   | Gas adjusting valve Towngas   | Towngas     |                             |
| 13       | 82.4075         | 0G6358      | Steuerhebel Microswitch    | Control lever Microswitch     | all types   | until 6501...               |
|          | 82.4666         |             | Steuerhebel Microswitch    | Control lever Microswitch     | Towngas     | from 6111... to 7011...     |
|          | 82.4679.01      | 0G7910      | Hebel Mikroschalter        | Mircoswitch lever             | all types   | from 7031... to 9051...     |
|          | 82.4679.02      | 0G7911      | Hebel Mikroschalter        | Mircoswitch lever             | Towngas     | from 7031... to 9051...     |
|          | 82.7612.01      | 0G8572      | Steuerhebel Microswitch    | Mircoswitch lever             | all types   | 9061...                     |
|          | 82.7612.02      | 0G8573      | Steuerhebel Microswitch    | Mircoswitch lever             | Towngas     | 9061...                     |
| 14       | 82.7009         | 0G6247      | Dichtung Drehgriff         | Sealing for handle            | all types   |                             |
|          | 82.7628         | 0G8603      | Dichtung Drehgriff         | Sealing for handle            | Colored M2M |                             |
| 15       | 82.6637.05      | 0G7697      | Drehgriff Kpl.             | Handle complete kit           | all types   |                             |
|          | 82.6638.05      | 0G8624      | Drehgriff Kpl.             | Handle complete kit           | Colored M2M |                             |
|          | 82.6637.08      | 0G8461      | Drehgriff Kpl. (Stadtgas)  | Handle complete kit (Towngas) | Towngas     |                             |
| 16       | 712 345053.01   | 0G3333      | Progressivring D12         | Progressive ring D12          | all types   |                             |
| 17       | 712 345052.03   | 0KX142      | Überwurfmutter             | Screwcap                      | all types   |                             |
| 18       | 82.7256         | *           | Gasrampe Nudelkocher       | Gas line Pastacooker          | a b c       |                             |
|          | 82.4575         | *           | Gasrampe Nudelkocher       | Gas line Pastacooker          | d e         |                             |
| 19       | 1 701 2757      | 0G2960      | Klemmring D4               | Clamp ring D12                | all types   |                             |
| 20       | 72.7742         |             | Verbindungsanschluss       | Connecting port               | all types   |                             |
| 21       | 82.4256         | *           | Gaszuleitung Zündleitung   | Gas line ignition wire        | a b c       |                             |
|          | 82.4576         | *           | Gaszuleitung Zündleitung   | Gas line ignition wire        | d e         |                             |
| 22       | 82.4255         | *           | Gasleitung                 | Gas line                      | a b c       |                             |
|          | 82.4577         | *           | Gasleitung                 | Gas line                      | d e         |                             |
| 23       | See nozzle list | -           | Düse Zündbrenner           | Nozzle Igniton burner         | all types   |                             |
| 24       | 1 701 2503      | 0G5490      | Sechskantschraube M4x8     | Hex screw M4x8                | all types   |                             |
| 25       | 82.7211         |             | Thermoelement unterbrochen | Thermocouple interrupted      | all types   |                             |
| 26       | 1 106 1204      | 0G2975      | Zündbrenner                | Ignition burner               | all types   |                             |
| 27       | 72.7920         | 0K4320      | Zündkerze                  | Spark plug                    | all types   |                             |
| 28       | 82.7332         | 0G6589      | Kit Gasventil              | Kit gas valve                 | all types   |                             |
| 29       | 76.3805         | 0K4981      | Temperaturbegrenzer        | Temperature limiter           | all types   |                             |
| 30       | 1 701 7504      |             | Blehschraube 4.2x9.5       | Tapping screw 4.2x9.5         | all types   |                             |
| 31       | 82.4080         | *           | Befestigung Kugelventil    | Fixation ball valve           | a b c       |                             |
|          | 82.4608         | *           | Befestigung Kugelventil    | Fixation ball valve           | d e         |                             |
| 32       | 82.7065         | 0C8648      | Kugelventil 3/8"           | Ball valve 3/8"               | all types   |                             |
| 33       |                 | 0G8460      | Mertik Funktionsled        | Mertik control led            |             |                             |





| 4  | Alias      | Code   | Bezeichnung                    | Description                 | Ref.      | Valid from Serial N° |
|----|------------|--------|--------------------------------|-----------------------------|-----------|----------------------|
| 1  | 82.7604    | OG8123 | Auslass montiert               | Drain mounted               | Standard  |                      |
| 1a | 82.7028    | OC9660 | Auslass                        | Drain                       | Standard  |                      |
|    | 82.7330    |        | Auslass                        | Drain                       | for USA   |                      |
|    | 83.9315    | OG8202 | Auslass                        | Drain                       | for USA   | 6201...              |
| 2  | 82.7031    | OC8456 | Klemmring                      | Clamp ring                  | all types |                      |
| 2  | 82.7031    | OC8456 | Klemmring                      | Clamp ring                  | all types |                      |
| 3  | 82.7030    | OC6800 | O-Ring                         | O-Ring                      | all types |                      |
| 4  | 82.7274    | OG6912 | Kugelhahn 1"                   | Ball Valve 1"               | all types |                      |
| 5  | 82.7273.02 |        | Auslauf gekröpft               | Cranked outlet              | all types |                      |
|    | 83.9311    | OG8278 | Auslauf gekröpft UL            | Cranked outlet UL           | for USA   | 6201...              |
| 6  | 82.7557.01 |        | EPDM Schlauch L=180mm          | EPDM Hose L=180mm           | d e       |                      |
|    | 82.7557.02 |        | EPDM Schlauch L=220mm          | EPDM Hose L=220mm           | a b c     |                      |
|    | 83.9299    | OG8201 | EPDM Schlauch L=180mm          | EPDM Hose L=180mm           | for USA   | 6201...              |
| 7  | 82.7557.05 |        | EPDM Schlauch L=530mm          | EPDM Hose L=530mm           | a b c     |                      |
|    | 82.7557.06 |        | EPDM Schlauch L=550mm          | EPDM Hose L=550mm           | d e       |                      |
|    | 83.9299    | OG8201 | EPDM Schlauch L=550mm          | EPDM Hose L=550mm           | for USA   | 6201...              |
| 8  | 1 102 2454 |        | Verlängerung Hahn 3/4"         | Extension for tap 3/4"      | all types |                      |
| 9  | 82.2663    |        | Halter Wasserklappe            | Support water valve         | a b c     |                      |
|    | 82.2962.02 |        | Halter Wasserklappe            | Support water valve         | d e       |                      |
| 10 | 82.7435    | OG6359 | Druckventil 0,5 bar            | Pressure valve 0,5 bar      | all types |                      |
| 11 | 12.9924    | OG2824 | Schlauchklemme                 | Hose clamp                  | all types |                      |
| 12 | 82.4260    | OC4832 | Wasserleitung                  | Water pipe                  | all types |                      |
|    | 83.9300    | OG8203 | Wasserleitung 9.5 x 16.6 *NSF* | Water pipe 9.5 x 16.6 *NSF* | for USA   |                      |
| 13 | 87.4749    | OG6909 | Mutter G 3/8"                  | Nut G 3/8"                  | all types |                      |
| 14 | 82.7036    | OC5567 | Wasserhahn                     | Water tap                   | all types |                      |
| 15 | 82.7329    | *      | Halter Abfluss                 | Support drain               | all types |                      |



| 5  | Alias      | Code   | Bezeichnung                        | Description                     | Ref.      | Valid from Serial N° |
|----|------------|--------|------------------------------------|---------------------------------|-----------|----------------------|
| 1  | 82.7464    | 0C2496 | Dichtband                          | Sealing Tape                    | all types |                      |
| 2  | 82.1027.83 |        | Bedienblende PC 20L/40L            | Control panel PC 20L/40L        | b c d     |                      |
|    | 82.1049.70 |        | Bedienblende PC 20LG               | Control panel PC 20LG           | a         |                      |
| 3  | 82.0250.01 | 0G7350 | Türe                               | Door                            | b c d e   |                      |
|    | 82.1071.01 | 0G7347 | Türe                               | Door                            | a         |                      |
| 4  | 82.0233    |        | Korpus                             | Corpus                          | b c d e   |                      |
|    | 82.2448    |        | Korpus                             | Corpus                          | a         |                      |
|    | 83.4282    | 0G8279 | Korpus UL                          | Corpus UL                       | for USA   |                      |
| 5  | 82.0239.02 |        | Rosette Ablaufhahn Links           | Cover for drain left side       | all types |                      |
|    | 83.9298.02 | 0G8221 | Rosette Ablaufhahn Links UL        | Cover for drain left side UL    | for USA   |                      |
| 6  | 82.0239.01 |        | Rosette Ablaufhahn Rechts          | Cover for drain left right      | all types |                      |
|    | 83.9298.01 | 0G8280 | Rosette Ablaufhahn Rechts UL       | Cover for drain left right UL   | for USA   |                      |
| 7  | 82.0238    | 0G7470 | Deckel zu Korpus                   | Cover to corpus                 | all types |                      |
| 8  | 75.5006.06 | 0G5515 | Schraube 6KT M5x16 USPH            | Hex bolt M5x16 USPH             | all types |                      |
| 9  | 1 701 2509 | 0K4598 | Schraube 6KT M5x12                 | Hex bolt M5x12                  | all types |                      |
| 10 | 1 701 7002 | 0G2923 | Fächerscheibe M5                   | Washer M5                       | all types |                      |
| 11 | 82.1140.04 | 0G7122 | Anschlussdeckel H66/L400           | Lower Panel H66/L400            | a b d     |                      |
|    | 82.1140.24 | 0G7469 | Anschlussdeckel H166/L400          | Lower Panel H166/L400           | c e       |                      |
| 12 | 1 701 2579 | 0G4020 | Schraube 6KT M5x16                 | Hex bolt M5x16                  | all types |                      |
| 13 | 1 701 3535 | 0G3588 | U-Scheibe Ø5.3xØ10x1               | Washer Ø5.3xØ10x1               | all types |                      |
| 14 | 86.2385    | 0G6140 | Fuss 2" 100mm                      | Foot 2" 100mm                   | c e       |                      |
| 15 | 86.0001    | 0G5391 | Fuss 2" 200mm                      | Foot 2" 200mm                   | a b d     |                      |
| 16 | 1 701 2600 | 0KT919 | Schraube 6KT M6x12                 | Hex bolt M6x12                  | all types |                      |
| 17 | 1 701 5051 | 0G6753 | Fächerscheibe M6                   | Washer M6                       | all types |                      |
| 18 | 82.7467    | 0C7307 | Dichtband seitlich                 | Side-sealing strip              | all types |                      |
| 19 | 82.0287.03 |        | Korpus tiefgezogen                 | Coprus deepdrawn                | all types | 6491...              |
| 20 | 82.0350.02 |        | Fuss M10 100mm                     | Foot M10 100mm                  | c e       | 7141...              |
| 21 | 82.0350.01 |        | Fuss M10 200mm                     | Foot M10 200mm                  | a b d     | 7141...              |
| 22 | 1 117 1252 | 0G2374 | Gashahn 1/2"                       | Gas valve 1/2"                  | H800      |                      |
| 23 | 1 117 1286 | 0G6454 | Gasschlauch                        | Gas hose                        | H800      |                      |
| 24 | 1 101 2162 | 0G6161 | Einschraubwinkel 1/2"              | Angle pipe fitting 1/2"         | H800      |                      |
| 25 | 1 116 1233 | 0G8474 | Muffennippel Reduziert 3/4" - 1/2" | Muff nipple reduced 3/4" - 1/2" | H800      |                      |
| 26 | 1 102 2397 | 0G3621 | Verlängerung GF 526 1/2"-100       | Extension GF 1/2"-100           | H800      |                      |

# Nozzle list / Düsentabelle

# thermaline 80 / 85 / 90

Appliance:

Nominal heat input:

**11.5 kW**

Town gas: max. 9.5kW / min. 3kW

Factory Model

**MBKDxxxPM/Wx / MCKDxxxPM/Wx**

Range:

**850 / 900**

Doc N°

**82.8021.04**

| Town Gas    | GAS TYPE  | COUNTRY                         | NOMINAL PRESS.   | GAS TYPE <b>TEST GAS</b> | CATEGORIES | Pressure Regulator ±1% | Nozzle C main burner (Abb. 2) |            |            | Small adjusting nozzle |                |               | Nozzle F ignition burner (Abb. 3) |              |                 | Aeration adj. PILOT BURNER X (mm) | Aeration adj. MAIN BURNER D (mm) (Abb. 1) | Gas Consum. | Gas consumption L/min 956.5 mbar Baro / 20°C Sursee Allmendstrasse |       |              |       |
|-------------|-----------|---------------------------------|--|--------------------------|------------|------------------------|-------------------------------|------------|------------|------------------------|----------------|---------------|-----------------------------------|--------------|-----------------|-----------------------------------|---|-------------|--|-------|--------------|-------|
|             |           |                                 |  |                          |            |                        | Type                          | mm         | Alias N°   | Spare Part N°          | mm             | Alias N°      | Spare Part N°                     | N°           | Alias N° / Item |                                   |   |             | Spare Part N°  | Min.  | Normal-value | Max.  |
| Natural Gas | 1 G 110   | DK, SE                          | 8  | G110                     | 1a         | -                      | 5.80                          | 72.7803.58 | -          | Adjust                 | unscrew 2 turn | -             | 45 (2 holes)                      | 82.4664      | 054038          | -                                 | 34  | 2.97 m³/h   | 39.81  | 41.91 | 44.00        |       |
|             | 2 G 120   | SE                              | 8  | G120                     | 1b         | -                      | 5.00                          | 72.7803.50 | -          | Adjust                 | unscrew 2 turn | -             | 45 (2 holes)                      | 82.4664      | 054038          | -                                 | 34  | 2.64 m³/h   | 35.56  | 37.43 | 39.31        |       |
|             | 3         | Natural Gas H                   | HU   | 25                       | G20        | 2H                     | -                             | 2.30       | 72.7803.30 | 002865                 | 1.40           | 712.345064.43 | 003182                            | 25 (2 holes) | 1.106.1234      | 0G3771                            | -   | 34          | 1.22 m³/h  | 19.60 | 20.64        | 21.67 |
|             | 4         |                                 |  |                          |            |                        |                               | 2.60       | 72.7803.25 | 002268                 | 1.40           | 712.345064.43 | 003182                            | 25 (2 holes) | 1.106.1234      | 0G3771                            | -   | 35          | 1.41 m³/h  | 22.69 | 23.88        | 25.08 |
|             | 5         | Natural Gas L                   | AT, CH, DK, EE, ES, FI, GB, GR, IE, IT, LV, NO, PT, SE, SI, SK, BG, CZ, HR, LT, RO, TR, CZ | 20                       | G20        | 2H                     | -                             | 2.45       | 72.7803.04 | 002267                 | 1.40           | 712.345064.43 | 003182                            | 25 (2 holes) | 1.106.1234      | 0G3771                            | -   | 34          | 1.22 m³/h  | 19.60 | 20.64        | 21.67 |
|             | 6         |                                 |  |                          |            |                        |                               | 2.45       | 72.7803.04 | 002267                 | 1.40           | 712.345064.43 | 003182                            | 25 (2 holes) | 1.106.1234      | 0G3771                            | -   | 34          | 1.22 m³/h  | 19.60 | 20.64        | 21.67 |
|             | 7         | Natural Gas H/L Pressure Couple | BE, FR   | 20/25                    | G20        | 2E+                    | -                             | 2.45       | 72.7803.04 | 002267                 | 1.40           | 712.345064.43 | 003182                            | 25 (2 holes) | 1.106.1234      | 0G3771                            | -   | 34          | 1.22 m³/h  | 19.60 | 20.64        | 21.67 |
|             | 8         |                                 |  |                          |            |                        |                               | 2.60       | 72.7803.25 | 002268                 | 1.40           | 712.345064.43 | 003182                            | 25 (2 holes) | 1.106.1234      | 0G3771                            | -   | 35          | 1.41 m³/h  | 22.69 | 23.88        | 25.08 |
|             | 9         | Natural Gas L                   | NL   | 25                       | G25        | 2L                     | -                             | 2.75       | 72.7803.31 | 003371                 | 1.40           | 712.345064.43 | 003182                            | 25 (2 holes) | 1.106.1234      | 0G3771                            | -   | 35          | 1.41 m³/h  | 22.80 | 24.00        | 25.20 |
|             | 10        |                                 |  |                          |            |                        |                               | 2.75       | 72.7803.31 | 003371                 | 1.40           | 712.345064.43 | 003182                            | 25 (2 holes) | 1.106.1234      | 0G3771                            | -   | 35          | 1.41 m³/h  | 22.80 | 24.00        | 25.20 |
| Liquid Gas  | 11 Propan | CH, DE, FR, HU, NL              | 50   | G31                      | 3P         | -                      | -                             | -          | -          | -                      | -              | -             | -                                 | -            | -               | -                                 | -   | -           | -  | -     | -            |       |
|             | 12        | PL                              | 37   | -                        | -          | -                      | 1.55                          | 72.7803.09 | 003722     | 0.85                   | 712.345064.26  | 0G4163        | 24 (1 hole)                       | 1.106.1235   | 0G3772          | -                                 | 34  | 0.90 Kg/h   | 5.65   | 5.95  | 6.24         |       |
|             | 13        | Butan/Propan                    | CZ, CY, DK, EE, FI, HU, LV, LT, MT, NL, NO, SE, SI, SK, BG, HR, IS, RO, TR                 | 30                       | G30/31     | 3B/P                   | -                             | 1.60       | 72.7803.22 | 002905                 | 0.85           | 712.345064.26 | 0G4163                            | 24 (1 hole)  | 1.106.1235      | 0G3772                            | -   | 34          | 0.90 Kg/h  | 5.69  | 5.99         | 6.29  |
|             | 14        |                                 |  |                          |            |                        |                               | 1.40       | 72.7803.24 | 004488                 | 0.75           | 712.345064.22 | 0KK127                            | 24 (1 hole)  | 1.106.1235      | 0G3772                            | -   | 35          | 0.90 Kg/h  | 5.58  | 5.87         | 6.17  |
|             | 15        | Butangas Propan Pressure Couple | BE, CH, ES, FR, GB, GR, IE, IT, PT, LT, SI, CZ, EE, LV, SK                                 | 28-30 / 37               | G30/31     | 3+                     | -                             | 1.60       | 72.7803.22 | 002905                 | 0.85           | 712.345064.26 | 0G4163                            | 24 (1 hole)  | 1.106.1235      | 0G3772                            | -   | 34          | 0.90 Kg/h  | 5.69  | 5.99         | 6.29  |

Abb. 1

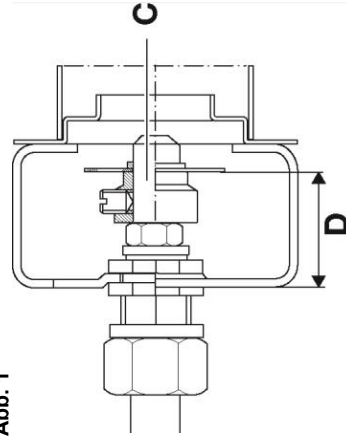


Abb. 2

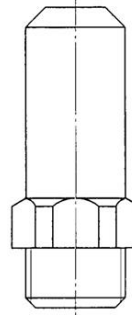


Abb. 3

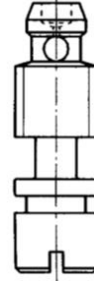
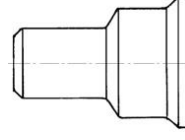
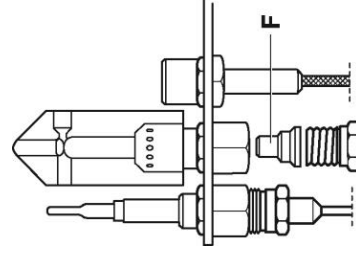


Abb. 4



# Nozzle list / Düsentabelle

# thermaline 80 / 85 / 90

Appliance:

Nominal heat input:

**16.5 kW**

Town gas: max. 10kW / min. 3kW

Factory Model

**MCKFXXXPM/WX**

Range:

**900**

Doc N°

**82.8021.04**

| Town Gas | GAS TYPE                        | COUNTRY  | NOMINAL PRESS. | GAS TYPE <b>Testigas</b> | CATEGORY | Pressure Regulator ±1% | Nozzle C main burner (Abb. 2) |            |          | Small adjusting nozzle |               |          | Nozzle F ignition burner (Abb. 3) |        |          | Aeration adj. PILOT BURNER X (mm) | Aeration adj. MAIN BURNER D (mm) (Abb. 1) | Gas Consum. | Gas consumption L/min 956.5 mbar Baro / 20°C Sursee Alimentstrasse |      |
|----------|---------------------------------|--|----------------|--------------------------|----------|------------------------|-------------------------------|------------|----------|------------------------|---------------|----------|-----------------------------------|--------|----------|-----------------------------------|---|-------------|--|------|
|          |                                 |  |                |                          |          |                        | Type                          | mm         | Alias N° | Spare Part N°          | mm            | Alias N° | Spare Part N°                     | N°     | Alias N° |                                   |   |             | Spare Part N°  | Min. |
| 1        | G 110                           | DK, SE   | 8              | G110                     | 1a       |                        | 6.80                          | 72.7803.68 |          | Adjust unscrew 2 turn  | 45 (2 holes)  | 82.4664  | 054038                            | -      | 32       | 3.36 m³/h                         | 41.91                                     | 44.11       | 46.32  |      |
|          |                                 |  |                |                          |          |                        |                               |            |          |                        |               |          |                                   |        |          |                                   |   |             |  | 2    |
| 3        | G 20                            | HU   | 25             | G20                      | 2H       |                        | 2.90                          | 72.7803.32 | 006419   | 1.80                   | 712 345064.36 | 0G4112   | 1.106 1234                        | 0G3771 | 30       | 1.75 m³/h                         | 28.13                                     | 29.61       | 31.09  |      |
|          |                                 |  |                |                          |          |                        |                               |            |          |                        |               |          |                                   |        |          |                                   |   |             |  | 4    |
| 5        | Natural Gas H                   | AT, CH, DK, EE, ES, FI, GB, GR, IE, IT, LV, NO, PT, SE, SI, SK, BG, CZ, HR, LT, RO, TR, CZ | 20             | G20                      | 2H       |                        | 3.10                          | 72.7803.33 | 054632   | 1.80                   | 712 345064.36 | 0G4112   | 1.106 1234                        | 0G3771 | 30       | 1.75 m³/h                         | 28.13                                     | 29.61       | 31.09  |      |
|          |                                 |  |                |                          |          |                        |                               |            |          |                        |               |          |                                   |        |          |                                   |   |             |  | 6    |
| 7        | Natural Gas H/L Pressure Couple | BE, FR   | 20/25          | G20                      | 2E+      |                        | 3.10                          | 72.7803.33 | 054632   | 1.80                   | 712 345064.36 | 0G4112   | 1.106 1234                        | 0G3771 | 30       | 1.75 m³/h                         | 28.13                                     | 29.61       | 31.09  |      |
|          |                                 |  |                |                          |          |                        |                               |            |          |                        |               |          |                                   |        |          |                                   |   |             |  | 8    |
| 9        | Natural Gas L                   | NL   | 25             | G25                      | 2L       |                        | 3.55                          | 72.7803.36 | 003987   | 1.80                   | 712 345064.36 | 0G4112   | 1.106 1234                        | 0G3771 | 30       | 2.03 m³/h                         | 32.71                                     | 34.44       | 36.16  |      |
|          |                                 |  |                |                          |          |                        |                               |            |          |                        |               |          |                                   |        |          |                                   |   |             |  | 10   |
| 11       | Propan                          | CH, DE, FR, HU, NL   | 50             | G31                      | 3P       |                        | 1.85                          | 72.7803.23 | 0C0509   | 0.80                   | 712 345064.40 | 056743   | 1.106 1235                        | 0G3772 | 26       | 1.29 Kg/h                         | 8.11                                      | 8.53        | 8.96   |      |
|          |                                 |  |                |                          |          |                        |                               |            |          |                        |               |          |                                   |        |          |                                   |   |             |  | 12   |
| 13       | Butan/Propan Pressure Couple    | BE, CH, ES, FR, GB, GR, IE, IT, PT, LT, SI, CZ, EE, LV, SK                                 | 28-30/37       | G30/31                   | 3B/P     |                        | 1.70                          | 72.7803.26 | 054083   | 0.80                   | 712 345064.40 | 056743   | 1.106 1235                        | 0G3772 | 26       | 1.29 Kg/h                         | 8.00                                      | 8.42        | 8.85   |      |
|          |                                 |  |                |                          |          |                        |                               |            |          |                        |               |          |                                   |        |          |                                   |   |             |  | 14   |

Abb. 1

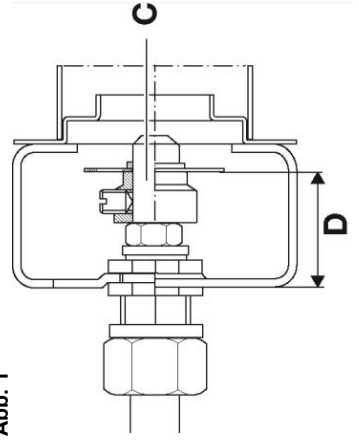


Abb. 2

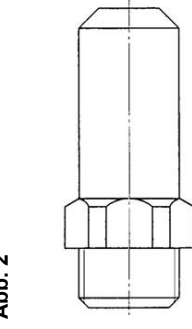


Abb. 3

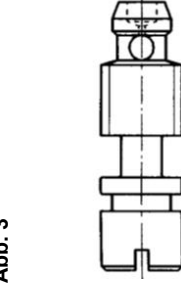


Abb. 4

