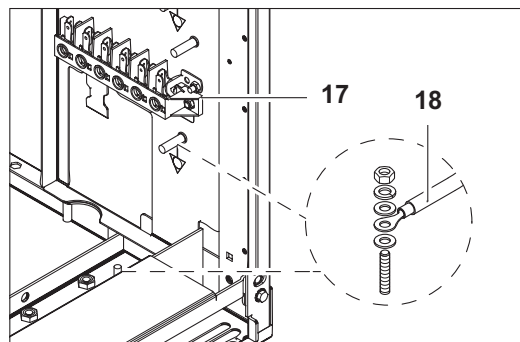
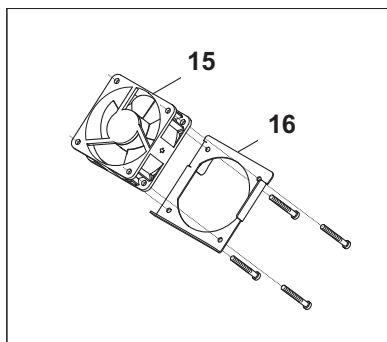
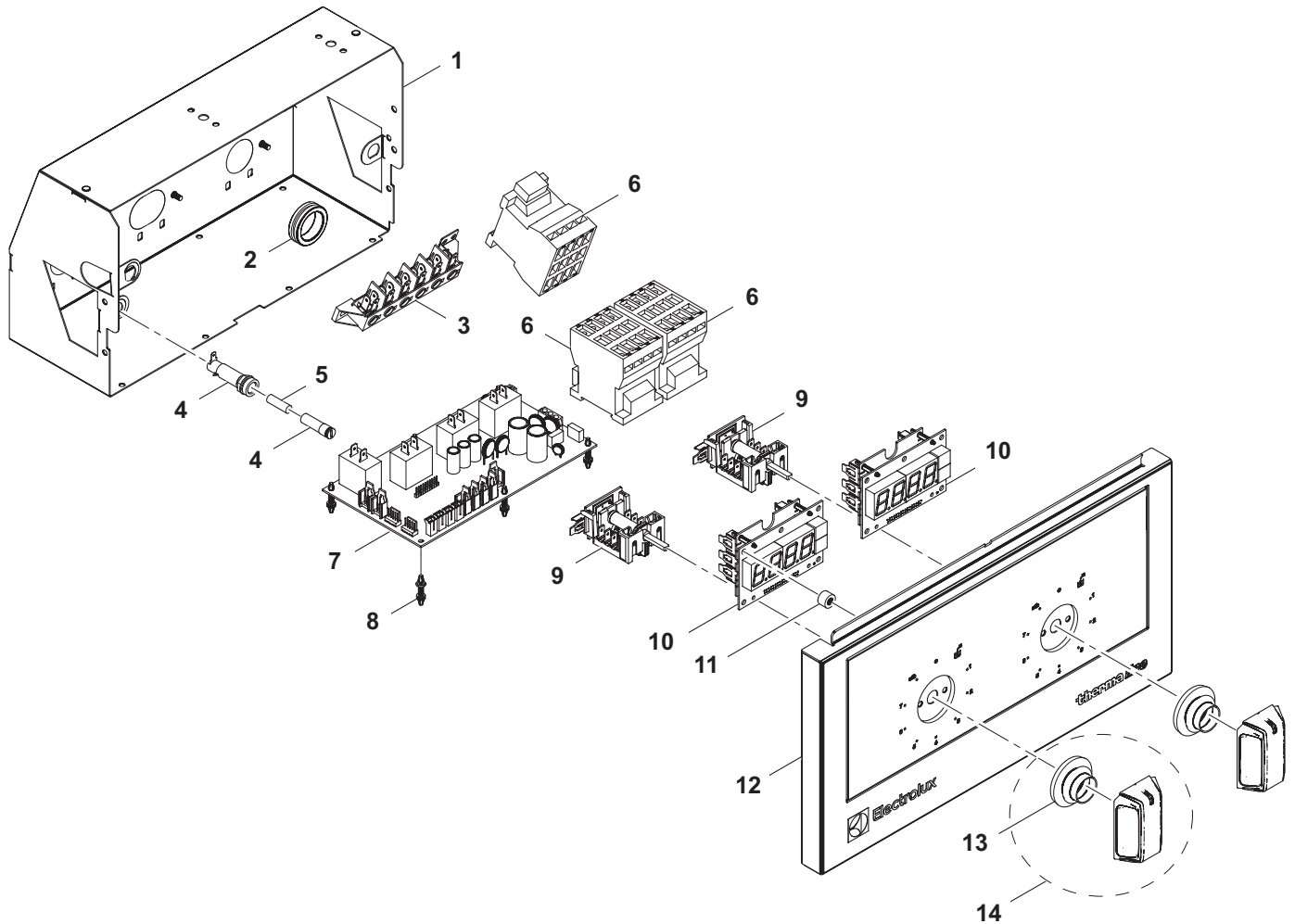


**DE** ELEKTRISCHE NUDELKOCHER 2 X 5L  
**EN** ELECTRIC PASTA COOKER 2 X 5L

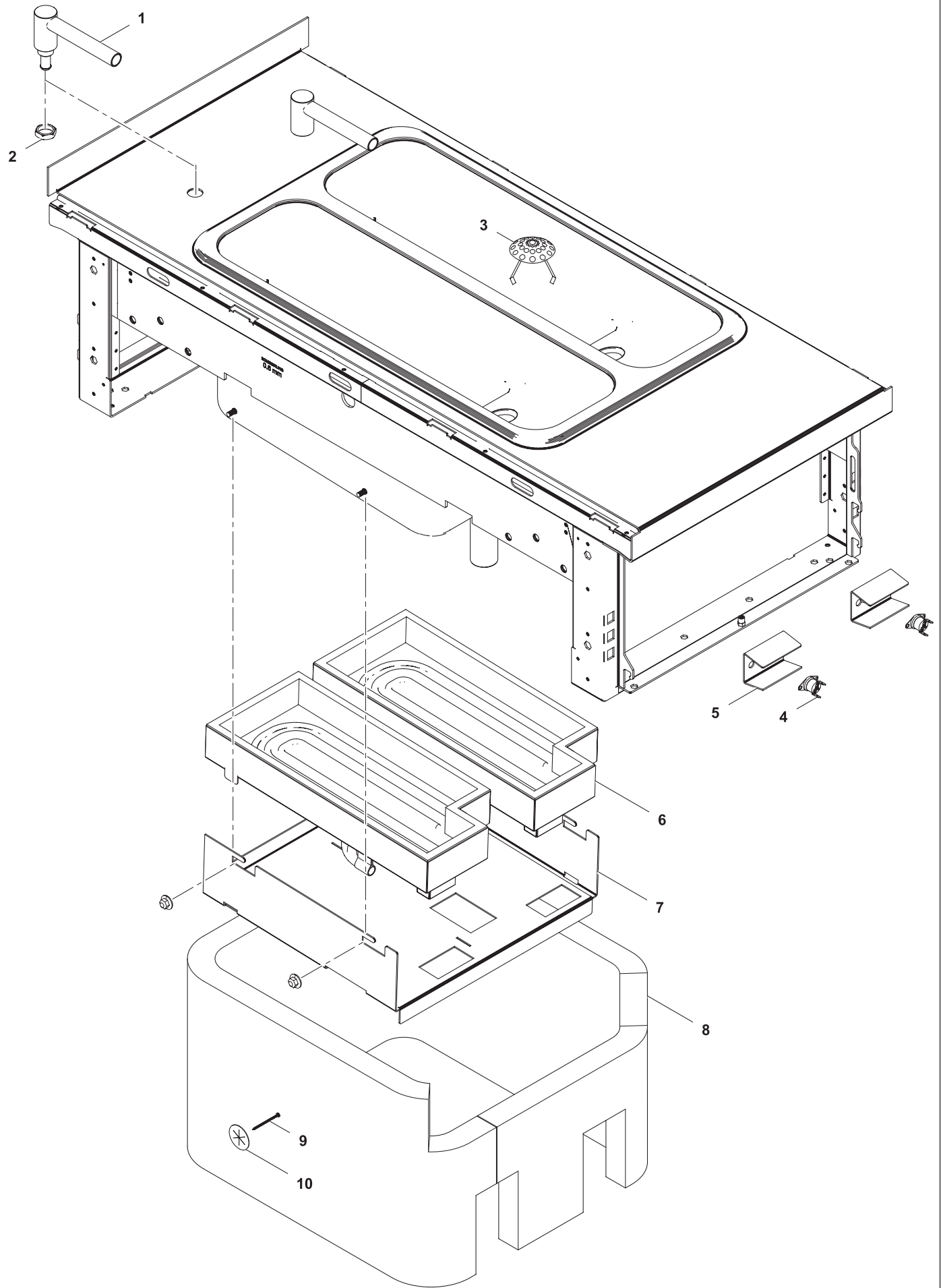
PNC	Factory Model	Ref.	Description
588203	MAKAEADDAO	a	EL. PASTA COOKER, 2X5L, 400X800X700H
588204	MAKAEBDDAO	a	EL. PASTA COOKER, 2X5L, C-BOARD, 400X800X700H
588289	MAKAFADDAO	b	EL. PASTA COOKER, 2X5L, 400X800X800H
588290	MAKAFBDDAO	b	EL. PASTA COOKER, 2X5L, C-BOARD, 400X800X800H
588624	MBKAGBDDAO	c	EL. PASTA COOKER, 2X5L, C-BOARD, 400X850X700H
589290	MCKAEADDAO	d	EL. PASTA COOKER, 2X5L, 400X900X700H
589291	MCKAEBDDAO	d	EL. PASTA COOKER, 2X5L, C-BOARD, 400X900X700H
589447	MCKAFADDAO	e	EL. PASTA COOKER, 2X5L, 400X900X800H
589448	MCKAFBDDAO	e	EL. PASTA COOKER, 2X5L, C-BOARD, 400X900X800H

Page	Index	Last Updates	Page	Pos.
2	Electrical parts (FME)	12/2015	all	
4	Mechanical Module (FMM)	12/2016	8/9	
6	Water connections (FMW)	05/2018	7/9	19/22
8	Full appliance	12/2018	3	14

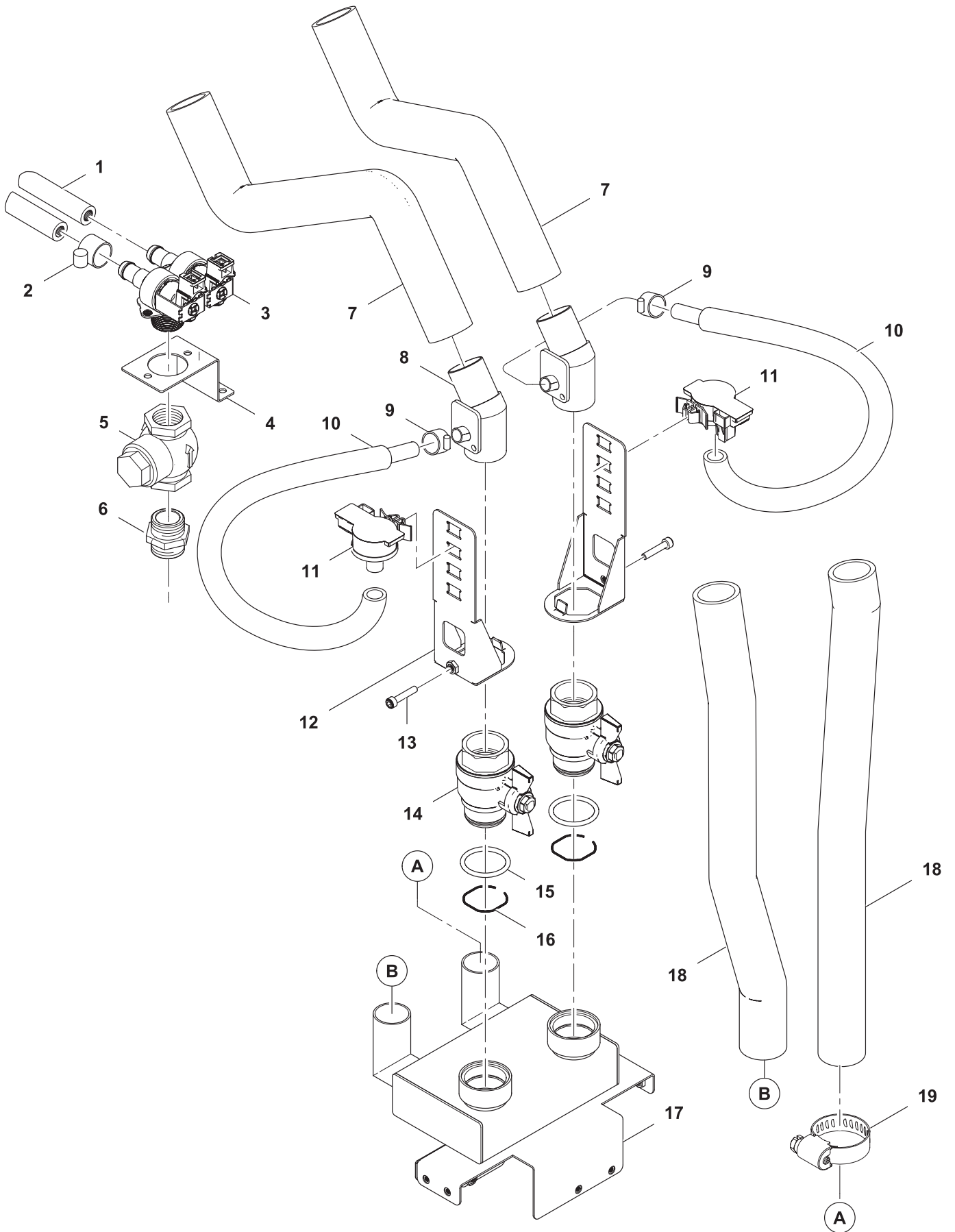
Valid from Ser. № 3101....



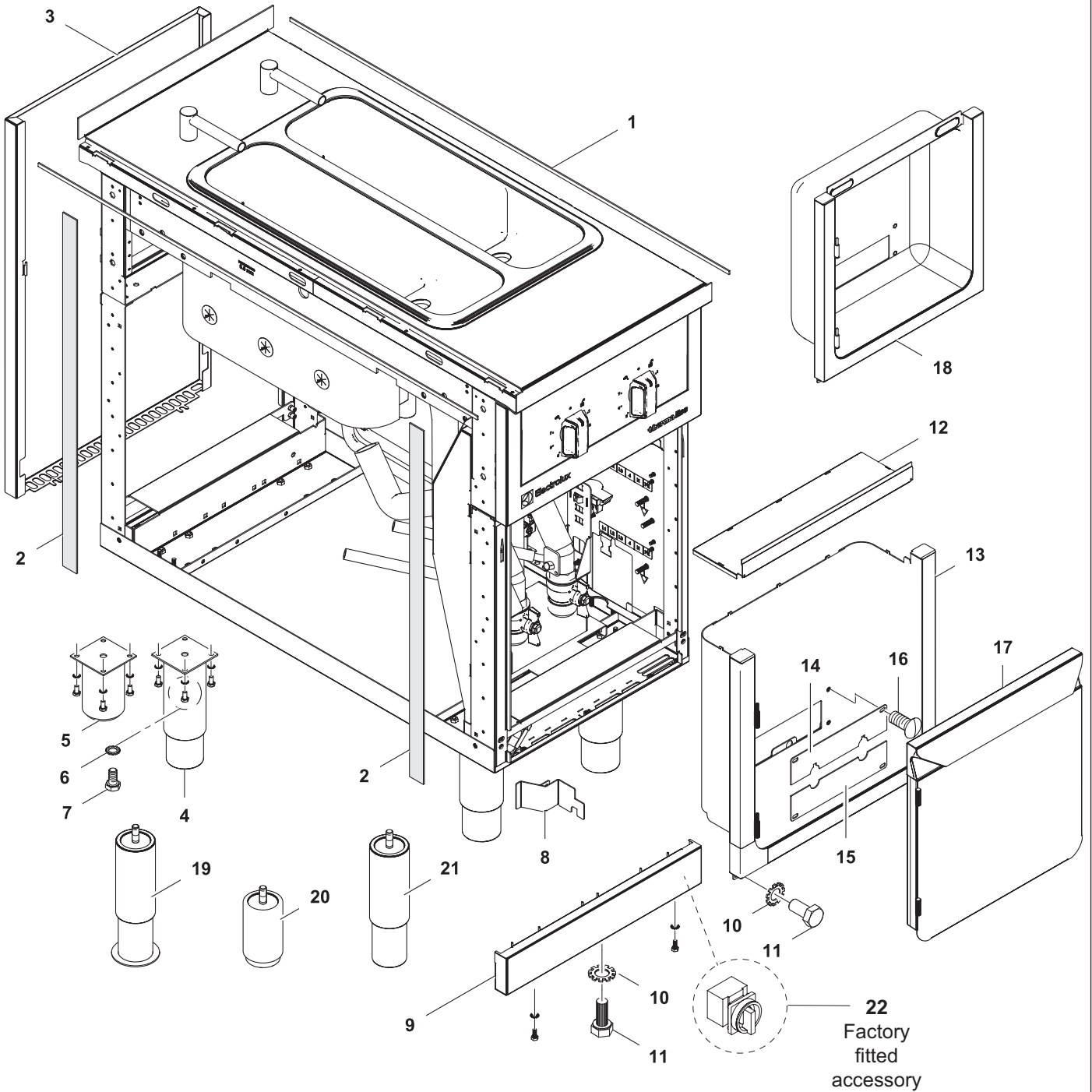
1	Alias	Code	Bezeichnung	Description	Ref.	Valid from Serial N°
1	82.3010	OG7303	Elektrobox	Electrical compartment	all types	
2	712 044961.17	OKT854	Kabeltülle Ø25/Ø31/Ø35x10	Cable: sleeve Ø25/Ø31/Ø35x10	all types	
3	82.7023	058613	Klemme FV122	Terminal FV122	all types	
4	82.7093	056582	Halter Sicherung	Fuse holder	all types	
5	712 344362.01	OG5814	Sicherung 5x20 1A	Fuse 5x20 1A	all types	
6	1 115 1757	OG4645	Schütz K3-14x027 + K2-E230	Conductor K3-24x027 + K2-E230	all types	
7	82.7014.KD	OG6221	Mainboard SPARTA	Mainboard SPARTA	all types	
8	75.5000	OG4212	Distanzhalter Kunststoff	Plastic spacer support	all types	
9	82.9013	OG6242	Schalter off-9stufen +10K Potentiometer	Switch off-9 steps +10k potentiometer	all types	
10	82.7015	OG6246	Eurotas Display	Eurotas Display	D800/900	
	72.5938.04	OKI362	Anzeigelampe grün	Indicator light, green	D850	
	72.5938.08	OKI364	Einsteckfassung grün/gelb Ø10mm	Lamp holder, green/yellow, Ø10mm	D850	
11	76.3011.01	OG3093	Distanzhalter 8mm	Spacer 8mm	all types	
12	82.1027.61	*	Bedienblende Nudelkocher 2x5L 400	Control panel pasta cooker 2x5L 400	D800/900	
	82.1049.61	*	Bedienblende INOX Nudelkocher 2x5L 400	Control panel INOX pasta cooker 2x5L 400	D850	
13	82.7009	OG6247	Dichtung Drehgriff	Sealing for handle	all types	
14	82.6637.01	OG7693	Drehgriff Kpl.	Handle complete kit	all types	
15	82.7159	OG6274	Ventilator 60x60x25 622HH (3.5W)	Ventilator 60x60x25 622HH (3.5W)	all types	
16	82.3009	*	Halteblech Ventilator	Cooling fan support	all types	
	1 701 1083	OG5755	Zylinderschraube M3x30	Socket cap screw M3x30	all types	
	1 701 3540	2K1478	Unterlegscheibe M3	Washer M3	all types	
17	82.7023	058613	Klemme FV122	Terminal FV122	all types	
18	82.9103	OG6424	Kabel: Haupterd draht L400 6mm²	Cable: main earthing L400 6mm²	all types	
	82.9023	OG6961	Kabel: SPARTA - Display L500	Cable: SPARTA - Display L500	D800/900	
	82.9002	OG6897	Kabel: Display - Display L290	Cable: Display - Display L290	D800/900	
	82.9003	OG6899	Kabel: Potentiometer - Display L200	Cable: Potentiometer - Display L200	D800/900	
	82.9044.01	OG6965	Kabel: SPARTA - Potentiometer L450	Cable: SPARTA - Potentiometer L450	D850	
	82.9043	OG7461	Kabel: Sicherheitsthermostat - F1 - Schalter	Cable: Safety thermostat - F1 - switch	all types	
	82.9007.02	OG6904	Kabel: SPARTA - Hahn gleich L1400	Cable: SPARTA - valve equal L1400	all types	
	82.9061.01	OG7364	Kabel: SPARTA - Drucksensor B3 L800	Cable: SPARTA - pressure switch B3 L800	all types	
	82.9061.02	OG6905	Kabel: SPARTA - Drucksensor B4 L800	Cable: SPARTA - pressure switch B4 L800	all types	
	82.9009	OG6906	Kabel: SPARTA - Ventilator L2000	Cable: SPARTA - Ventilator L2000	all types	
	82.9041	OG7462	Kabel: X1 - K1 - K2 und K3	Cable: X1 - K1 - K2 and K3	all types	
	82.9042	OG7463	Kabel: SPARTA - N - Schalter - P	Cable: SPARTA - N - Switch - P	all types	
	82.9022.01	OG7036	Kabel: Schalter S1 -Schalter S2 kurz	Cable Switch S1 - Switch S2 short	all types	
	82.9038.01	OG7182	Kabel: Anzeigelampen S1 - H1 - H1.N	Cable: Indicators S1 - H1 - H1.N	D850	
	82.9038.04	OG7464	Kabel: Anzeigelampen S2 - H2 - H1	Cable: Indicators S2 - H2 - H1	D850	
	82.9035.01	OG6982	Kabel: X0 - X1 Hauptzuleitung	Cable: X0 - X1 mains	all types	







<b>3</b>	Alias	Code	Bezeichnung	Description	Ref.	Valid from Serial N°
1	82.4260	OC4832	Silikondruckschlauch Ø16.6 ø9.5	Silicon pressure hose Ø16.6 ø9.5	all types	
2	12.9924	OG2824	Schlauchklemme 8-14	Hose clamp 8-14	all types	
3	82.7254	OG6416	Magnetventil V290	Solenoid valve V290	all types	
4	82.2014	*	Halter Wasserklappe	Water inlet support	all types	
5	76.3431	OG4583	Rückschlagventil 3/4"	Check valve 3/4"	all types	
6	1 102 2457	OG5419	Doppelnippel 3/4"	Double nipple 3/4"	all types	
7	82.7173.09	OG6783	EPDM Schlauch Ø38 ø30 L=430	EPDM hose Ø38 ø30 L=430	all types	
8	82.7273.01	OG7722	Ablaufanschluss	Drain connection	all types	
9	82.7234	OG6913	Schlauchklemme 10-16	Hose clamp 10-16	all types	
10	82.7098	OC0723	Silikondruckschlauch Ø16 ø4	Silicon pressure hose Ø16 ø4	all types	
11	82.9060	OG6323	Drucksensor 100mbar	Pressure sensor 100mbar	all types	
12	82.2442	*	Halter Drucksensor	Pressure sensor support	all types	
13	1 701 1123	OG5436	Schraube M5x25	Screw M5x25	all types	
14	82.7274	OG6912	Kugelhahn	Ball valve	all types	
15	82.7030	OC6800	O-Ring D32.93x3.53	O-ring D32.93x3.53	all types	
16	82.7031	OC8456	Klemmring	Clamp ring	all types	
17	82.7327	OG7467	Abwasserauslass	Drain water outlet	all types	
18	82.7173.08	OG6782	EPDM Schlauch Ø38 ø30 L=530	EPDM hose Ø38 ø30 L=530	all types	
19	1 701 2814	OL2728	Schlauchklemme 25-40	Hose clamp 25-40	all types	





4	Alias	Code	Bezeichnung	Description	Ref.	Valid from Serial N°
1	82.7464	0C2496	Dichtband (Schaumstoff-Silikon, klebend)	Sealing strip	all types	
2	82.7467	0C7307	Dichtung 5mm	Sealing sides 5mm	all types	5101...
3	82.1102.03	0G7284	Rückwand 400x700	Back panel 400x700	H700 no C-Board	
	82.1102.23	0G7468	Rückwand 400x800	Back panel 400x800	H800 no C-Board	
4	86.0001	0G5391	Stellfuß 2" 145-252mm rund	Adjustable feet 2" 145-252mm, round	H700	
5	86.2385	0G6140	Stellfuß 2" 100mm	Adjustable feet 2" 100mm	H800	
6	1 701 5051	0G6753	Fächerscheibe M6	Fan washer M6	all types	
7	1 701 2600	0KT919	Sechskantschraube M6x12	Hex bolt M6x12	all types	
8	82.0113.01	0G7386	Leitblech links H700	Aeration sheet left H700	H700	
	82.0113.11	0G7387	Leitblech links H800	Aeration sheet left H800	H800	
9	82.1140.04	0G7122	Std. Anschlussdeckel H66/L400	Bottom panel H66/L400	H700	
	82.1140.24	0G7469	Std. Anschlussdeckel H166/L400	Bottom panel H166/L400	H800	
10	1 701 7002	0G2923	Fächerscheibe M5	Fan washer M5	all types	
11	1 701 2507	0G4653	Sechskantschraube M5x16	Hex bolt M5x16	all types	
12	82.0238	0G7470	Korpusdeckel	Corpus lid	all types	
13	82.0236	0G7471	Korpus H2	Corpus H2	D800/900	
	82.2446	0G7472	Korpus NHC	Corpus NHC	D850	
14	82.0263	0G7473	Rosette zu Ablauf oben	Cover plate top	all types	
15	82.0128	0G7474	Rosette zu Ablauf unten	Cover plate bottom	all types	
16	75.5006.06	0G5515	Schraube M5x16 USPH	Screw M5x16 USPH	all types	
17	82.0250.01	0G7350	Tür komplett Anschlag links	Door complete hinges left	D800/900	
	82.1071.01	0G7347	Tür NHC komplett Anschlag links	Door NHC complete hinges left	D850	
18	82.0287.04		Korpus tiefgezogen	Corpus deepdrawn	D800/900	6491...
19	82.0350.03		Fuss M10 200mm Marine	Foot M10 200mm Marine	Marine	7141...
20	82.0350.02		Fuss M10 100mm	Foot M10 100mm	H800	7141...
21	82.0350.01		Fuss M10 200mm	Foot M10 200mm	H700	7141...
22	76.9164.01	0G2137	Hauptschalter 25A	Main switch 25A	H800	8041...