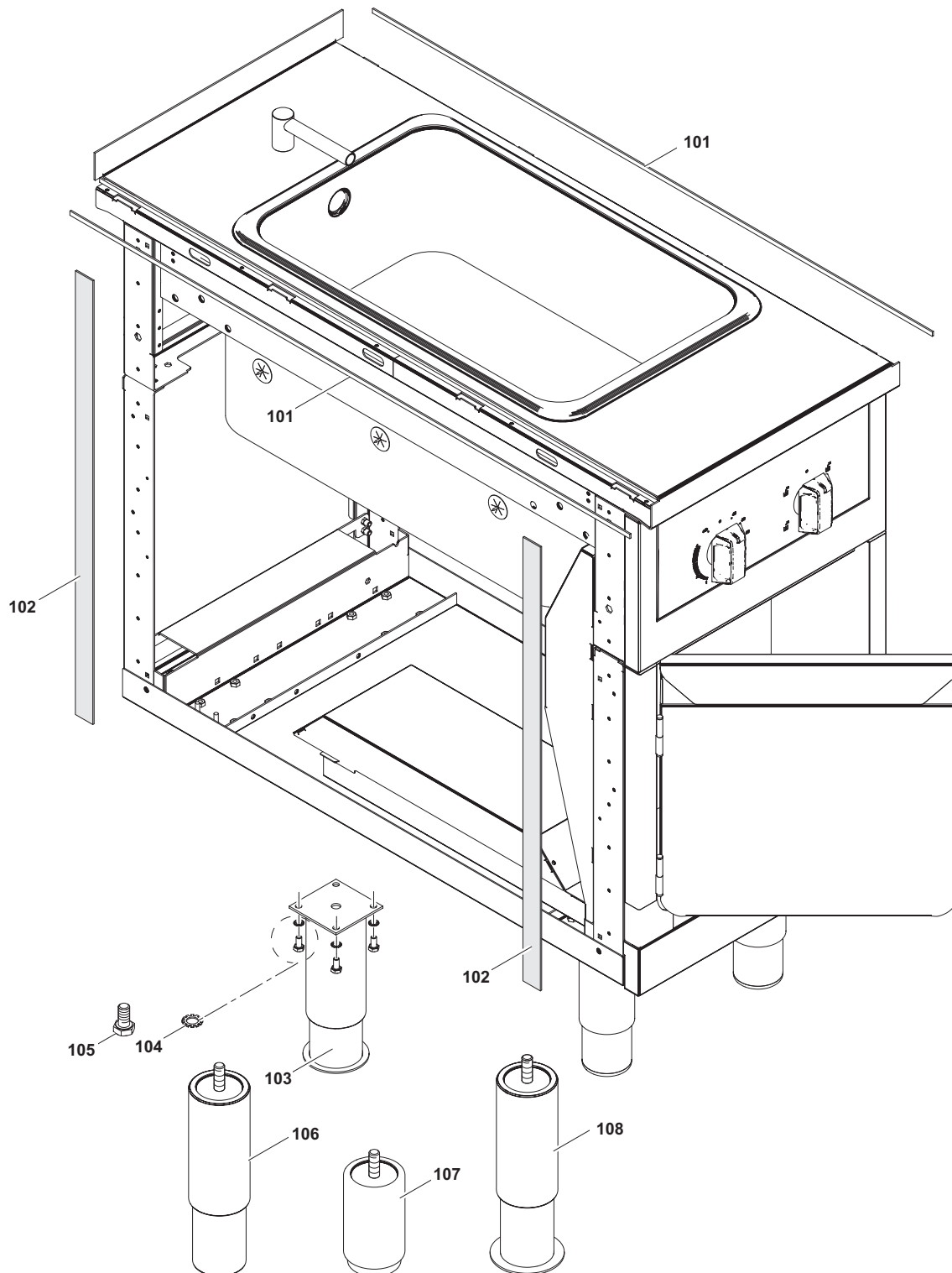


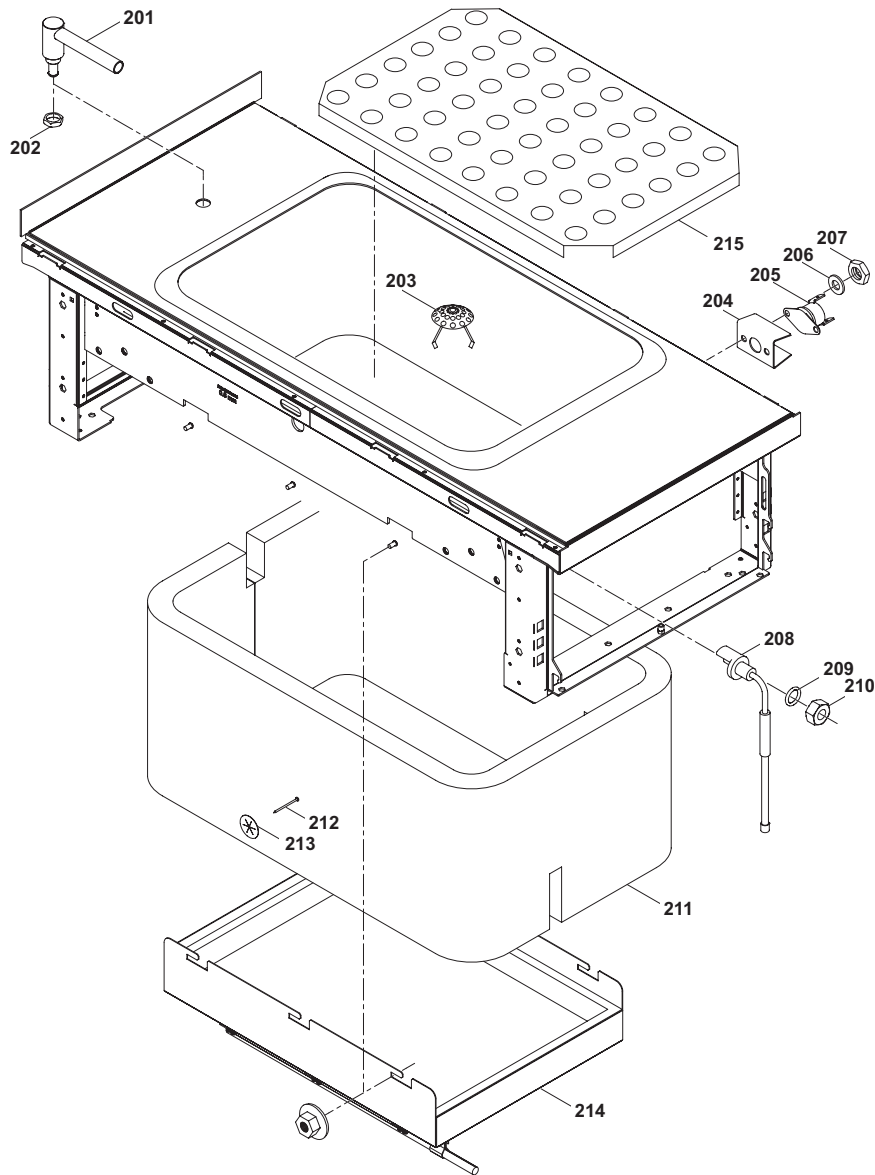
THERMALINE 80/85/90**DE** ELEKTRISCHE MULTIFUNKTIONSKOCHER
EN ELECTRIC AQUA COOKER

PNC	Factory Model	Ref.	Description
588090	MABDEADDAO	a	AQUA COOKER, 1/1GN, 400X800X700H
588440	MABDEADDAO	g	AQUA COOKER PLUS, 1/1GN, 400X800X700H
588091	MABDEBDDAO	a	AQUA COOKER, 1/1GN, C-BOARD, 400X800X700H
588441	MABDEBDDAO	g	AQUA COOKER PLUS, 1/1GN, C-BOARD, 400X800X700H
588253	MABDFADDAO	b	AQUA COOKER, 1/1GN, 400X800X800H
588442	MABDFADDAO	h	AQUA COOKER PLUS, 1/1GN, 400X800X800H
588254	MABDFBDDAO	b	AQUA COOKER, 1/1GN, C-BOARD, 400X800X800H
588443	MABDFBDDAO	h	AQUA COOKER PLUS, 1/1GN, C-BOARD, 400X800X800H
588554	MBBDGBDDAO	c	AQUA COOKER, 1/1GN, C-BOARD, 400X850X700H
588701	MBBDGBDDAO	i	AQUA COOKER PLUS, 1/1GN, C-BOARD, 400X850X700H
589138	MCBDEADDAO	d	AQUA COOKER, 1/1GN, 400X900X700H
589682	MCBDEADDAO	j	AQUA COOKER PLUS, 1/1GN, 400X900X700H
589139	MCBDEBDDAO	d	AQUA COOKER, 1/1GN, C-BOARD, 400X900X700H
589683	MCBDEBDDAO	j	AQUA COOKER PLUS, 1/1GN, C-BOARD, 400X900X700H
589377	MCBDFADDAO	e	AQUA COOKER, 1/1GN, 400X900X800H
589684	MCBDFADDAO	k	AQUA COOKER PLUS, 1/1GN, 400X900X800H
589378	MCBDFBDDAO	e	AQUA COOKER, 1/1GN, C-BOARD, 400X900X800H
589685	MCBDFBDDAO	k	AQUA COOKER PLUS, 1/1GN, C-BOARD, 400X900X800H
589824	MCBDEADDDM	f	MARINE AQUA COOKER, 1/1GN, 400X900X700
589686	MCBDEADDDM	l	MARINE AQUA COOKER PLUS, 1/1GN, 400X900X700

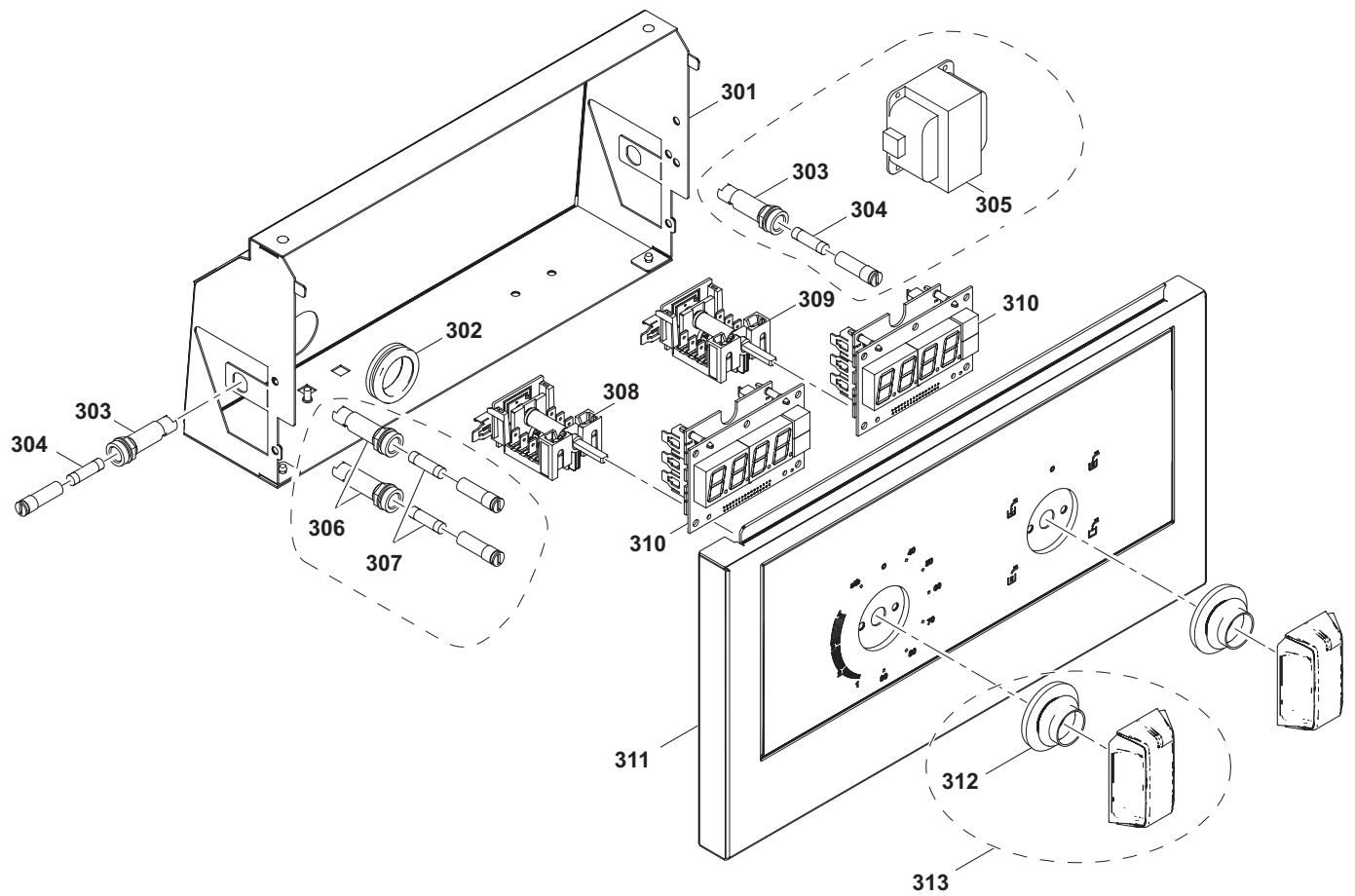
Page	Index	Last Updates	Page	Pos.
2	Feet and joints	12/2015	all	
3	Mechanical module (FMM)	12/2016	2/6/7	
4	Electrical compartment	11/2017	3	206
6	Water connections (FMW)	11/2017	3	208, 209
8	Base	01/2018	5	315
		01/2018	3, 5, 7, 9	added spare parts for USA
		05/2018	9	523
		11/2018	3 / 5	209 / 313
		05/2019	5	312, 313
		03/2020	3	215
		05/2021	7	411
		06/2022	1	added PNC ref. g, h, i, j, k, l
Valid from Ser. № 3101....		07/2022	5 / 7 / 9	310 / 420 / 513 + PLUS cables



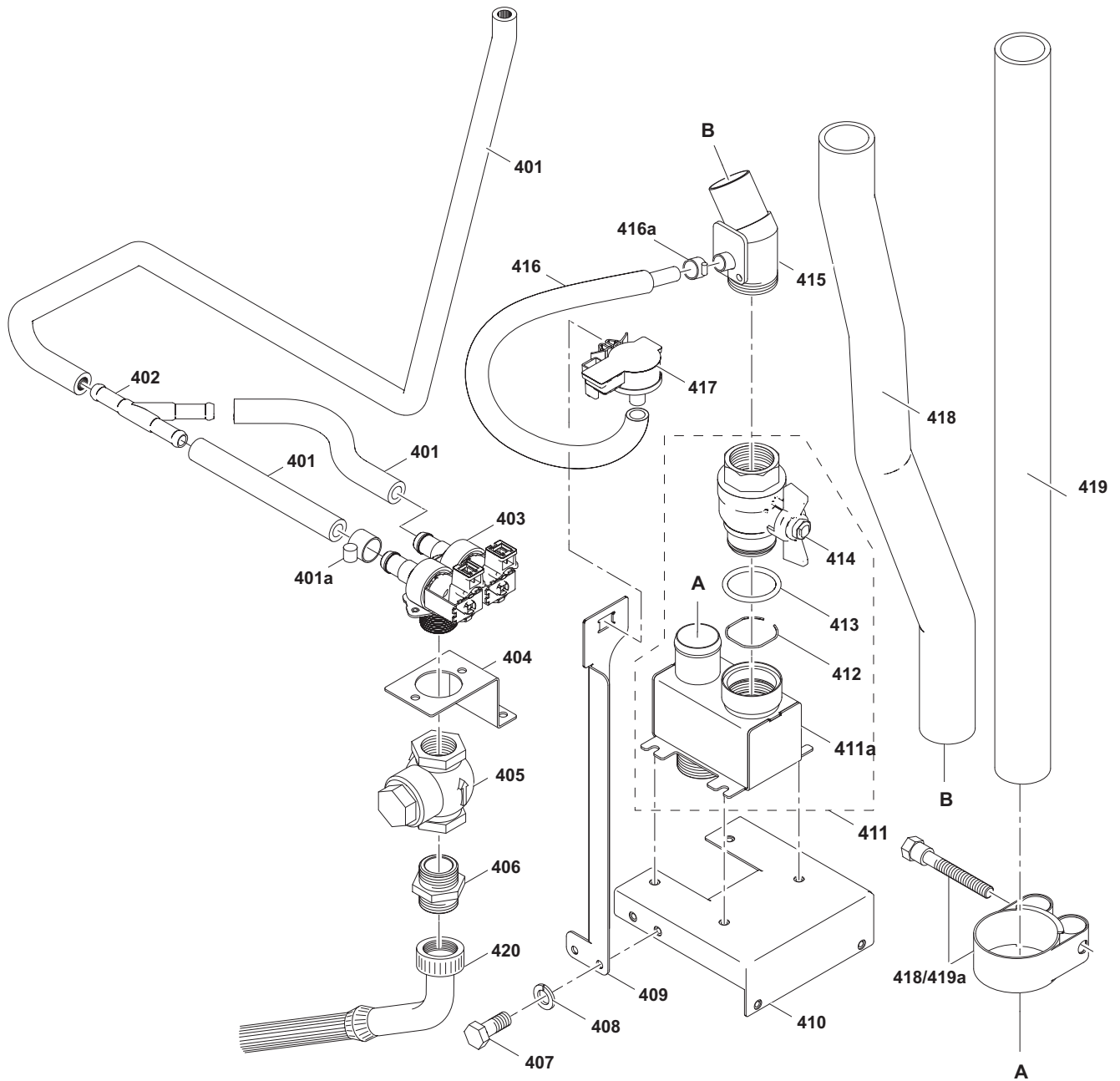
1	Alias	Code	Bezeichnung	Description	Ref.	Valid from Serial N°
101	82.7464	OC2496	Dichtband (Schaumstoff-Silikon, mlebend)	Sealing strip		
102	82.7467	OC7307	Dichtband Geräte seitwärts	Side-sealing strip		5101...
103	83.3728	OG6886	Stellfuß 2" Marine 145-252mm	Adjustable feet 2" Marine 145-252mm	f l	
104	1 701 5051	OG6753	Fächerscheibe M6	Fan washer M6		
105	1 701 2600	OKT919	Sechskantschraube M6x12	Hex bolt M6x12		
106	82.0350.01	OG7958	Fuss M10 200mm	Foot M10 200mm	a b c d e g h i j k	7141...
107	82.0350.02	OG7957	Fuss M10 100mm	Foot M10 100mm	a b c d e g h i j k	7141...
108	82.0350.03		Fuss M10 200mm Marine	Foot M10 200mm Marine	f l	7141...



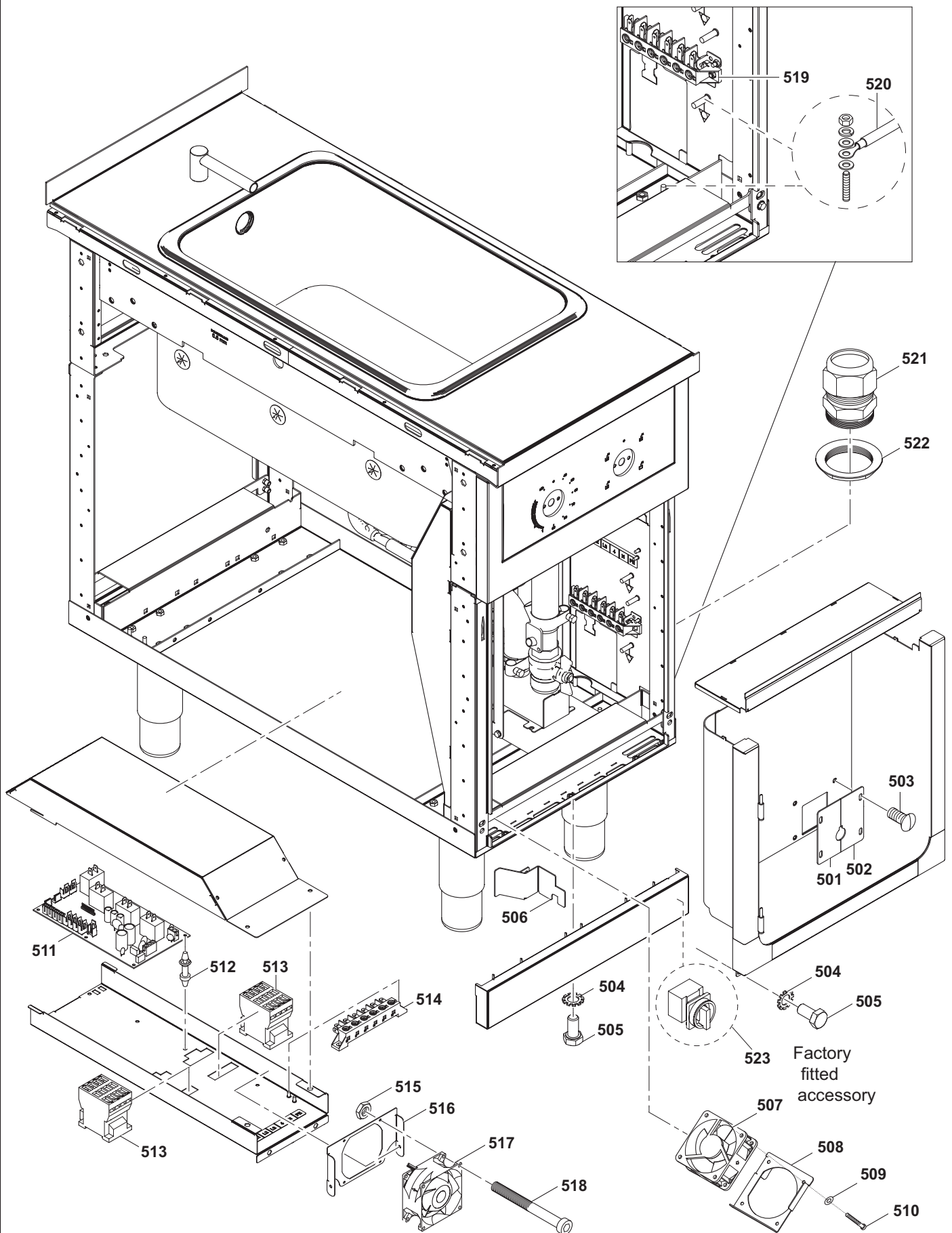
2	Alias	Code	Bezeichnung	Description	Ref.	Valid from Serial N°
201	82.7036	0C5567	Wasserhahn	Water tap		
202	87.4749	0G6909	Mutter G 3/8"	Nut G 3/8"		
203	72.2973	OKT762	Überlaufsieb für Nudelkocher	Overflow filter		
203	83.9515	0G8200	UL Sieb	UL Overflow filter	for USA	
204	82.2023	0G7414	Halter Thermostat	Thermostat support		
205	82.7049	0C6155	Temperatur-Thermostat 120°	Temperature thermostat 120°		
206	1 701 3535	0G3588	Unterlegscheibe M5	Washer M5		
207	1 701 3008	0G6111	Sechskantmutter M5	Hex nut M5		
208	82.7174.01	0G8789	Sensor TC Wasser/Öl	Sensor TC water/oil		
209	82.7216	058904	Flachdichtung Ø8.75x1.78	Flat seal Ø8.75x1.78		until 8301...
209	82.7608	0G8507	Flachdichtung Ø8.30x2.40	Flat seal Ø8.30x2.40		8311...
210	1 701 3044	OK4612	Sechskantmutter M8	Hex nut M8		
211	82.2032.04	0G7415	Isolation D30 Aqua Cooker	Insulation D30 Aqua Cooker		
212	1 201 1959	0G6987	Nägels für Isolation	Nails for insulation		
213	1 201 1961	0G4127	Clips für Isolation	Clips for insulation		
214	82.7057.01	0G6339	Heizelement 400V / 3N-	Heating element 400V / 3N-	a b c d e g	
214	82.7057.07	0G7416	Heizelement 440V / 3-	Heating element 440V / 3-	h i j k	
214	82.7057.03	0G8082	Heizelement 208V / 3N-	Heating element 208V / 3N-	f l	
215	82.3118	0G8092	Einlegeblech	Insert plate	for USA	



3	Alias	Code	Bezeichnung	Description	Ref.	Valid from Serial N°
301	82.3012	*	Elektrobox	Electrical compartment		
302	712 044961.17	OKT854	Kabeltülle Ø25/Ø31/Ø35x10	Cable sleeve Ø25/Ø31/Ø35x10		
303	82.7093	056582	Halter Sicherung	Fuse holder		
304	712 344362.01	OG5814	Sicherung 5x20 1 00A	Fuse 5x20 1 00A		
305	82.9209	006710	Autotransformator 0-240-400-440V 150VA	Autotransformer 0-240-400-440V 150VA	f l	
306	87.9204	OCB130	Halter Sicherung 6.3x32 500V	Fuse holder 6.3x32 500V	f l	
307	82.9171	OTTR73	Sicherung 6.3x32 0.63A 500V	Fuse 6.3x32 0.63A 500V	f l	
308	82.9018	OG6310	Schalter off-line 5 Stufen + 10K Potenti	Switch off-line 5 steps + 10k poti		
309	82.9016	OG6307	Schalter off-4 Stufen + 10K Potentiometer	Switch off-line 4 steps + 10k poti		
310	82.7015	OG7091	Eurotas-Display	Eurotas-Display	a b d e f g h j k l	
310	72.5938.04	OKI362	Anzeigelampe grün	Indicator light, green	c i	
310	72.5938.08	OKI364	Einsteckfassung grün/gelb Ø10mm	Lamp holder, green/yellow, Ø10mm	c i	
310	72.5938.03	OKI361	Anzeigelampe klar	Indicator light, transparent	c i	
310	72.5938.07	OKI363	Einsteckfassung klar Ø10mm	Lamp holder, transparent, Ø10mm	c i	
310	72.5938.10	OG8192	Glimmlampe grün UL	Indicator light green UL	D850 for USA	
310	72.5938.11	OG4247	Glimmlampe klar UL	Indicator light clear UL	D850 for USA	
311	82.1027.57	*	Bedienblende Aqua Cooker	Control panel Aqua Cooker	a b d e f g h j k l	
311	82.1049.57	*	Bedienblende Aqua Cooker INOX	Control panel Aqua Cooker INOX	c i	
311	82.1049.103	OG8262	Bedienblende Aqua Cooker INOX UL °F	Control panel Aqua Cooker INOX UL °F	for USA	
312	82.7009	OG6247	Dichtung Drehgriff	Sealing for handle		
312	82.7628	OG8603	Dichtung Drehgriff	Sealing for handle	colored M2M	
313	82.6637.01	OG7693	Drehgriff Kpl.	Handle complete kit		
313	82.6638.01	OG8620	Drehgriff Kpl.	Handle complete kit	colored M2M	
	82.9001	OG6461	Kabel: Sparta - Display (L 2200mm)	Cable: sparta - display (L 2200mm)	a b d e g h j k	
	82.9044.02	OG6181	Kabel: Sparta - Potentiometer (L 2000mm)	Cable: sparta - potentiometer (L 2000mm)	c i	
	82.9002	OG6897	Kabel: Display - Display (L 290mm)	Cable: display - display (L 290mm)	a b d e g h j k	
	82.9045	OG6898	Kabel: Anzeigelampe (L 2000mm)	Cable: indicator light (L 2000mm)	c i	
	82.9106	OG7413	Kabel: Anzeigelampe - Schütz L2000	Cable: Indicator light - Conductor (L 2000)	c i	
	82.9003	OG6899	Kabel: Potentiometer - Display (L 200mm)	Cable: potentiometer - display (L 200MM)	a b d e f g h j k l	
	82.9005	OG6729	Kabel: Sicherheitstherm. - FI - Schalter	Cable: safety therm. - FI - switch	a b c d e g h i j k	
	82.9193	OG6900	Kabel: Elektrobox Marine	Cable: electrical compartment Marine	f l	
	82.9529	OG8196	Kabel: UL Sparta - Display (L 2200mm)	Cable: UL sparta - display (L 2200mm)	D800/900 for USA	
	82.9530	OG8188	Kabel: UL Display - Display (L 290mm)	Cable: UL display - display (L 290mm)	D800/900 for USA	
	82.9531	OG8189	Kabel: UL Potentiometer-Display (L 200mm)	Cable: UL poti-display (L 200MM)	D800/900 for USA	
	82.9532	OG8197	Kabel: UL Sicherheitstherm. - FI - Schalter	Cable: UL safety therm. - FI - switch	for all types USA	



4	Alias	Code	Bezeichnung	Description	Ref.	Valid from Serial N°
401	82.4260	OC4832	Silikondruckschlauch Ø16.6 Ø9.5	Silicon pressure hose Ø16.6 Ø9.5		
401	83.9300	OG8203	Wasserleitung Ø16.6 Ø9.5	Silicone water hose Ø16.6 Ø9.5	for USA	
401a	12.9924	OG2824	Schlauchklemme 8-14	Hose clamp 8-14		
402	82.7115	OC5566	T-Stück	Tee connection		
403	82.7035	OC6137	Magnetventil V290	Solenoid valve V290		
404	82.2014	*	Halter Wasserklappe	Water inlet support		
405	76.3431	OG4583	Rückschlagventil 3/4"	Check valve 3/4"		
406	1 102 2457	OG5419	Doppelnippel 3/4"	Double nipple 3/4"		
407	1 701 2509	OK4598	Sechskantschraube M5x12	Hex bolt M5x12		
408	1 701 5048	0H9734	Federring M5	Spring washer M5		
409	82.2442	*	Halter Drucksensor	Pressure sensor support		
410	82.7329	*	Halter Abfluss	Drain support		
411	82.7604	OG8123	Auslass montiert	Drain water outlet mounted		
411a	82.7028		Abwasserauslass	Drain water outlet		
411a	83.9315	OG8202	Abwasserauslass UL	Drain water outlet UL	for USA	
412	82.7031	OC8456	Klemmring	Clamb ring		
413	82.7030	OC6800	O-Ring D32.93x3.53	O-ring D32.93x3.53		
414	82.7274	OG6912	Kugelhahn	Ball valve		
415	82.7273.01	OG7722	Ablaufanschluss	Drain connection	c d e f i j k l	
415	82.7273.03		Ablaufanschluss	Drain connection	a b g h	
415	83.9406	OG8261	UL Auslauf	UL Drain connection	for USA	
416	82.7098	OC0723	Silikondruckschlauch Ø16 Ø4	Silicon pressure hose Ø16 Ø4		
416a	82.7234	OG6913	Schlauchklemme 10-16	Hose clamp 10-16		
417	82.9060	OG6323	Drucksensor 100mbar	Pressure sensor 100mbar		
418	82.7557.07		EPDM Schlauch Ø40 Ø30 L=870	EPDM hose Ø40 Ø30 L=870		
418	83.9299	OG8201	EPDM Schlauch Ø34.5 Ø25.4 L=870	EPDM hose Ø34.5 Ø25.4 L=870	for USA	
419	82.7557.03		EPDM Schlauch Ø40 Ø30 L=260	EPDM hose Ø40 Ø30 L=260		
419	83.9299	OG8201	EPDM Schlauch Ø34.5 Ø25.4 L=260	EPDM hose Ø34.5 Ø25.4 L=260	for USA	
418/419a	1 701 2814	OG4728	Schlauchklemme 25-40	Hose clamp 25-40		
420	82.7702	OC8316	Schlauch PVC L1500 G3/4' - 1/1	Water adduction pipe PVC L1500 G3/4' - 1/1		



5	Alias	Code	Bezeichnung	Description	Ref.	Valid from Serial N°
501	82.0239.02	*	Abdeckung Ablaufhahn links	Cover sheet drain opening left	D800/900	
501	82.0141.02	*	Abdeckung Ablaufhahn links /NHC	Cover sheet drain opening left /NHC	D850	
501	83.9407.02	0G8205	Abdeckung Ablaufhahn links UL	Cover sheet drain opening left UL	for USA	
502	82.0239.01	*	Abdeckung Ablaufhahn rechts	Cover sheet drain opening right	D800/900	
502	82.0141.02	*	Abdeckung Ablaufhahn rechts /NHC	Cover sheet drain opening right/NHC	D850	
502	83.9407.01	0G8206	Abdeckung Ablaufhahn rechts UL	Cover sheet drain opening right UL	for USA	
503	1 701 1143	0G6901	Linsenkopfschraube M5x12	Lenshead screw		
504	1 701 7002	0G2923	Fächerscheibe M5	Fan waher M5		
505	1 701 2509	0K4598	Sechskantschraube M5x12	Hex bolt M5x12		
506	82.0113.01	0G7386	Leitblech links H700	Aeration sheet left H700		
506	82.0113.11	0G7387	Leitblech links H800	Aeration sheet left H800		
507	82.7159	0G6274	Ventilator 60x60x25 622HH (3.5W)	Cooling fan 60x60x25 622HH (3.5W)		
508	82.3009	*	Halteblech Ventilator	Cooling fan support		
509	1 701 7060		Fächerscheibe M4	Fan washer M4		
510	1 701 2084	0G3586	Zylinderschraube M4x25	Allen screw M4x25		
511	82.7014.KD	0G6221	Mainboard SPARTA	Mainboard SPARTA		
512	75.5000	0G4212	Distanzhalter Kunststoff	Plastic spacer support		
513	1 115 1757	0G4645	Schütz K3-14X027	Conductor K3-14X027	a b c d e f	
513	82.9262	0C5051	Schütz K3-32A00 180 USA	Conductor K3-32A00 180 USA	for USA	
513	1 115 1752	006879	Schütz K3-18N10	Conductor K3-18N10	g h i j k l	
514	82.7023	058613	Klemme FV122	Cable terminal FV122		
515	712 044120.04	0G4918	Keps Mutter M4	Keps nut M4		
516	82.2066	*	Befestigungsblech Ventilator	Ventilator fixation sheet		
517	82.7021	0C3967	Ventilator EBMPAPST Mod. 8556 VWR-669	Ventilator EBMPAPST Mod. 8556 VWR-669		
518	1 701 1083	0G5755	Zylinderkopfschraube M3x30	Socket cap screw M3x30		
519	82.7023	058613	Klemme FV122	Terminal FV122		
520	82.9103	0G6424	Kabel: Haupterd draht L 400 6mm ²	Cable: Main earthing cable L400 6mm ²		
521	82.2908	0C0068	Kabelverschraubung PG21	Cable gland PG21		
522	82.9226	0G7024	Gegenmutter Kabelverschraubung PG21	Lock nut PG21		
523	76.9164.01	0G2137	Hauptschalter 25A	Main switch 25A		8041...
	82.9000	0G6902	Kabel: X1 - K1 - K2	Cable: X1 - K1 - K2	a b c d e	
	82.9006	0G6903	Kabel: Sparta - N -Schalter - P	Cable: Sparta - N - Switch - P	a b c d e	
	82.9007.01	0G7363	Kabel: Sparta - Ventil L1400mm	Cable: Sparta - Valve L1400mm	a b c d e	
	82.9061.03	0G7481	Kabel: Sparta - Drucksensor B3 Huba L2000mm	Cable: Sparta - Pressure sensor B3 Huba L2000mm	a b c d e f	
	82.9009	0G6906	Kabel: Sparta - Ventilator	Cable: Sparta - Ventilator	a b c d e f	
	82.9035.02	0G7307	Kabel: Sparta - X0 - X1 Hauptzul. 5x2.5mm ²	Cable: Sparta - X0 - X1 mains 5x2.5mm ²	a b c d e f	
	82.9193	0G6900	Kabel: Pastacooker 40LT Marine Elektrobox	Cable: Pastacooker 40LT Marine Electrobox	Marine	
	82.9524	0G8137	Kabel: UL X1 - K1 - K2	Cable: UL X1 - K1 - K2	for all types USA	
	82.9525	0G8138	Kabel: UL Sparta - N -Schalter - P	Cable: UL Sparta - N - Switch - P	for all types USA	
	82.9526.01	0G8139	Kabel: UL Sparta - Valve L1400mm	Cable: UL Sparta - Valve L1400mm	for all types USA	
	82.9527.03	0G8134	Kabel: UL Sparta - Drucksensor B3 Huba L2000mm	Cable: UL Sparta - Pressure sensor B3 Huba L2000mm	for all types USA	
	82.9528	0G8135	Kabel: UL Sparta - Ventilator L2000	Cable: UL Sparta - Ventilator L2000	for all types USA	
	82.9509.02	0G8198	Kabel: UL X0 - X1 Hauptzuleitung	Cable: UL X0 - X1 mains	for all types USA	
	82.9336	*	Kabel aquacooker PID	Cable aquacooker PID	g h j k	
	82.9337	*	Kabel aquacooker PID	Cable aquacooker PID	i	
	82.9338	*	Kabel aquacooker PID Marine	Cable aquacooker PID Marine	l	

