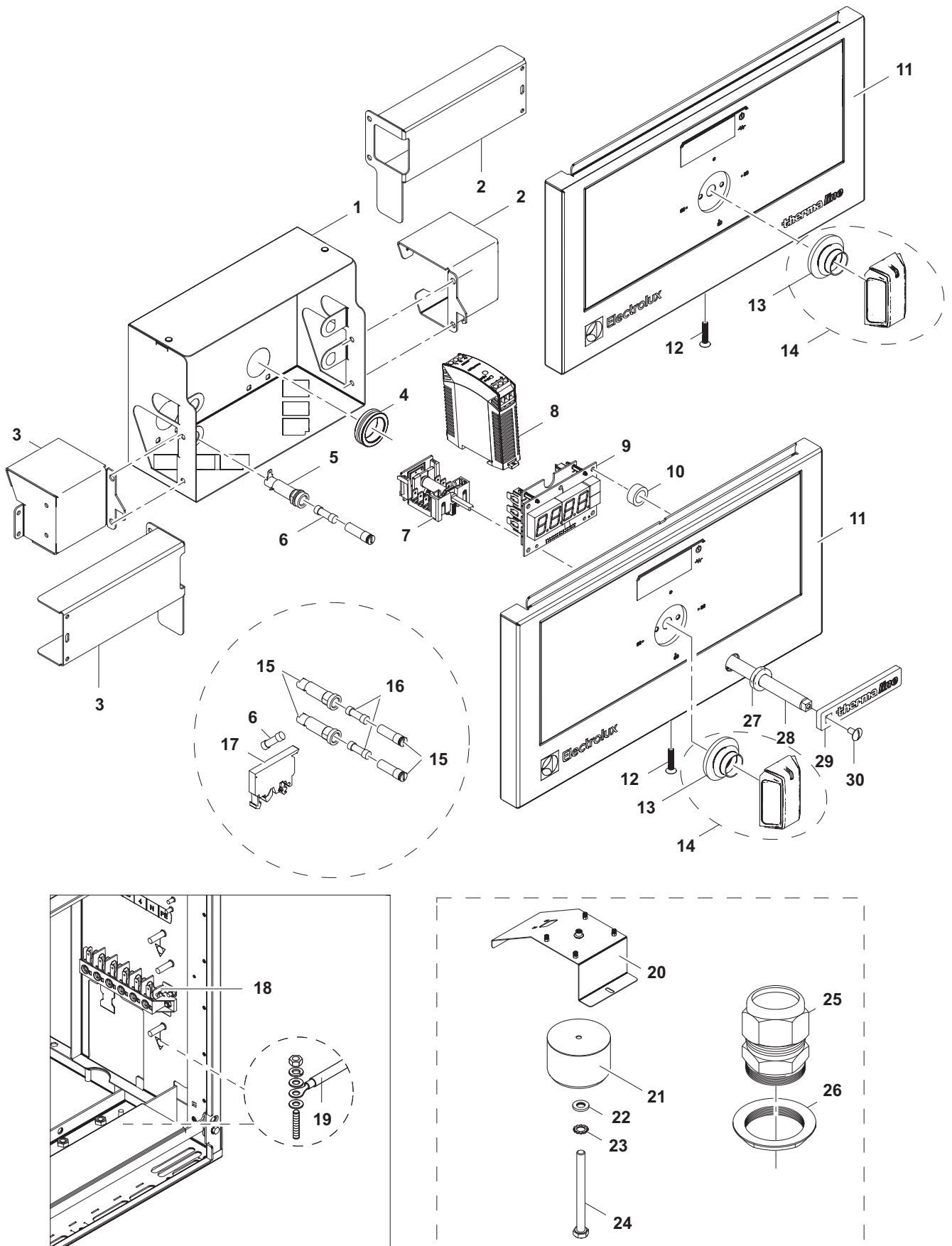


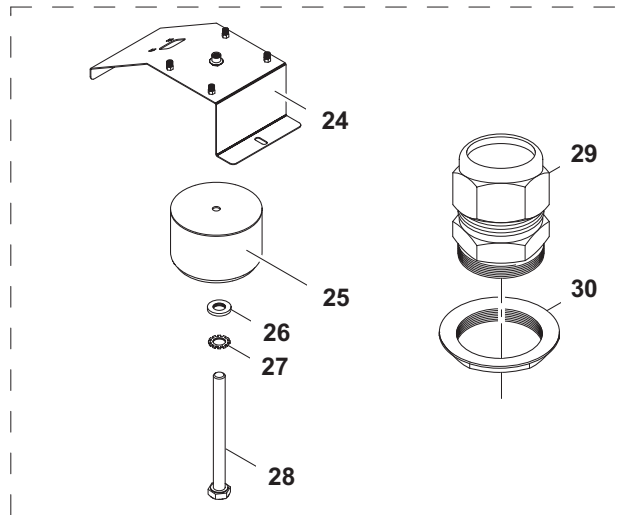
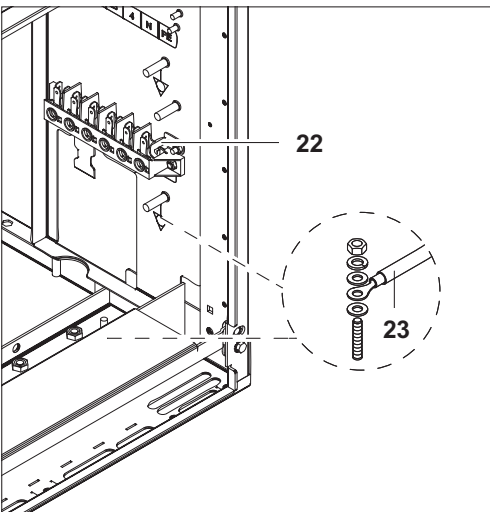
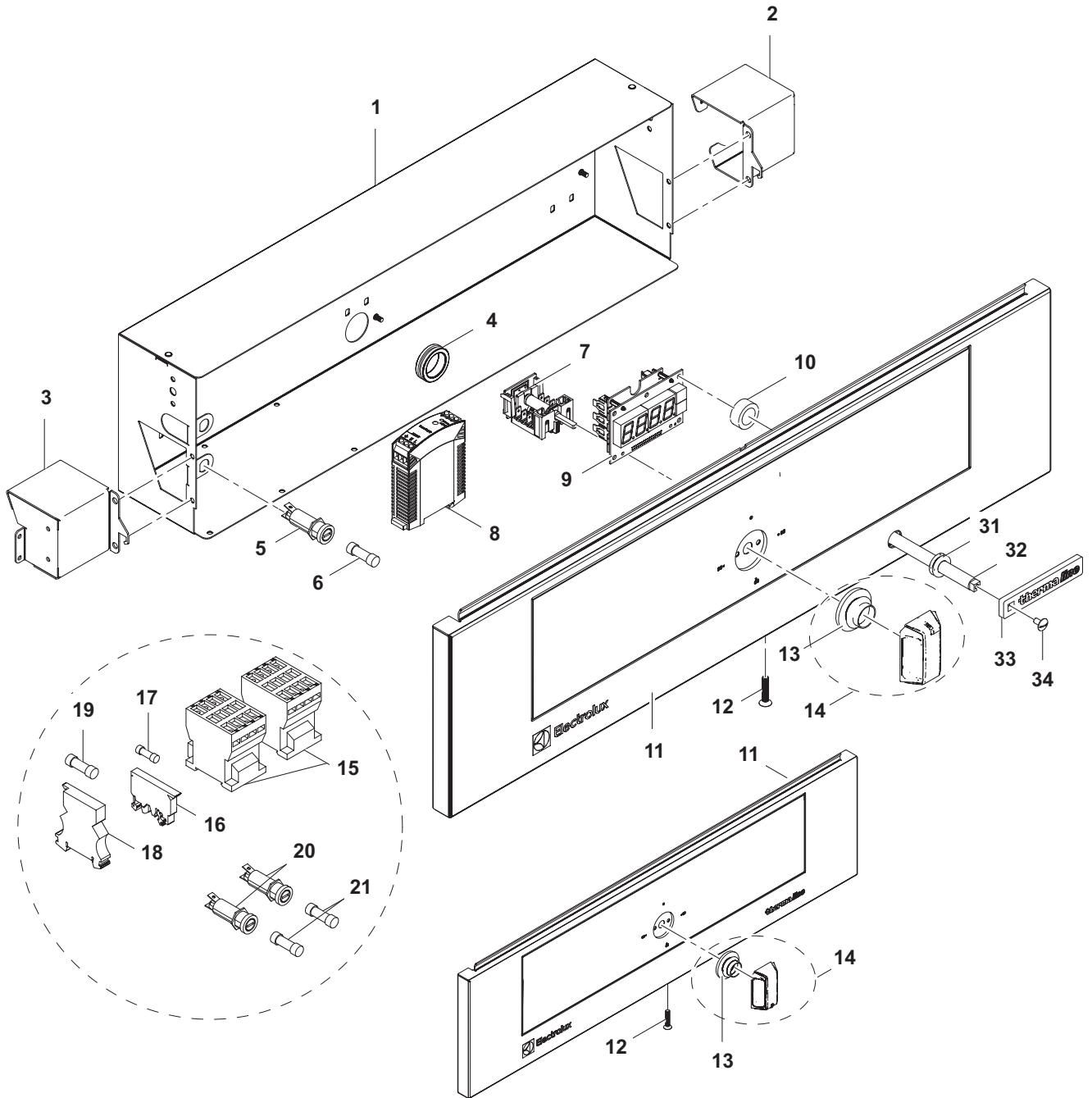
**DE** BAIN MARIE 1/1GN & 2/1GN  
**EN** BAIN MARIE 1/1GN & 2/1GN

PNC	Factory Model	Ref.	Description
588086	MABAAADOAO	a	BAIN MARIE, 1/1GN, TAP BACK, 400X800X250H
588087	MABAABDOAO	a	BAIN MARIE, 1/1GN, TAP BACK, C-BOARD, 400X800X250H
588400	MABFAAEAO	b	BAIN MARIE, 1/1GN, TAP LEFT, 500X800X250H
588401	MABFABEOAO	b	BAIN MARIE, 1/1GN, TAP LEFT, C-BOARD, 500X800X250H
588402	MABGAAEOAO	c	BAIN MARIE, 1/1GN, TAP RIGHT, 500X800X250H
588403	MABGABEOAO	c	BAIN MARIE, 1/1GN, TAP RIGHT, C-BOARD, 500X800X250H
588088	MABBAAHOAO	d	BAIN MARIE, 2/1GN, TAP BACK, 800X800X250H
588089	MABBABHOAO	d	BAIN MARIE, 2/1GN, TAP BACK, C-BOARD, 800X800X250H
588552	MBBABBDOAO	e	BAIN MARIE, 1/1GN, TAP BACK, C-BOARD, 400X850X250H
588553	MBBBBBHOAO	f	BAIN MARIE, 2/1GN, TAP BACK, C-BOARD, 800X850X250H
589132	MCBAAADOAO	g	BAIN MARIE, 1/1GN, TAP BACK, 400X900X250H
589133	MCBAABDOAO	g	BAIN MARIE, 1/1GN, TAP BACK, C-BOARD, 400X900X250H
589633	MCBFAAEAO	h	BAIN MARIE, 1/1GN, TAP LEFT, 500X900X250H
589634	MCBFABEOAO	h	BAIN MARIE, 1/1GN, TAP LEFT, C-BOARD, 500X900X250H
589635	MCBGAAEOAO	i	BAIN MARIE, 1/1GN, TAP RIGHT, 500X900X250H
589636	MCBGABEOAO	i	BAIN MARIE, 1/1GN, TAP RIGHT, C-BOARD, 500X900X250H
589134	MCBBAAHOAO	j	BAIN MARIE, 2/1GN, TAP BACK, 800X900X250H
589135	MCBBABHOAO	j	BAIN MARIE, 2/1GN, TAP BACK, C-BOARD, 800X900X250H
589820	MCBAEADIDM	k	MARINE* BAIN MARIE, 1/1GN, TAP BACK, 400X900X700H
589822	MCBF AEIDM	l	MARINE* BAIN MARIE, 1/1GN, TAP LEFT, 500X900X700H
589823	MCBGAEIDM	m	MARINE* BAIN MARIE, 1/1GN, TAP RIGHT, 500X900X700H
589821	MCBBEAHIDM	n	MARINE* BAIN MARIE, 2/1GN, TAP BACK, 800X900X700H

Page	Index	Last Updates	Page	Ref.
2	Electrical compartment 1/1 GN	12/2015	1GN	
4	Electrical compartment 2/1 GN	12/2016	all	
6	Mechanical parts	04/2017	15	
8	Drain water connection rear	11/2017	3/5	15/20
10	Drain water connection front	01/2018	3, 5, 7, 13	added spare parts for USA
12	Mixer tap			
14	H3 base (marine)	05/2018	15	13
		09/2018	7	1
		11/2018	13	2
		12/2018	3 / 5	14 / 14



1	Alias	Code	Bezeichnung	Description	Ref.	Valid from Serial N°
1	82.3016	*	Elektrobox 400	Electrical compartment 400	1/1 GN	
2	82.3001	*	Standardventilationsbox links	Ventilation box left	1/1 GN	
3	82.3002	0G7450	Standardventilationsbox rechts	Ventilation box right	1/1 GN	
4	712 044961.17	OKT854	Kabeltülle Ø25/Ø31/Ø35x10	Cable: sleeve Ø25/Ø31/Ø35x10	1/1 GN	
5	82.7093	056582	Halter Sicherung	Fuse holder	1/1 GN Standard	
6	712 344362.01	0G5814	Sicherung 5x20 1A	Fuse 5x20 1A	1/1 GN Standard	
7	82.9076	0G6317	Schalter off-lin 3/4 +Regler 93° +10K Poti	switch off-lin 3/4+control 93°+10K Potent	D800/900	
	1 115 1590	0G2764	Kapillarrohregler	Capillary control	D850	
8	82.9030	0G6075	DC Power supply 2V	DC Power supply 2V	D800/900	
9	82.9115.02	0G6303	Eurotas Display Bain Marie	Eurotas display Bain Marie	D800/900	
	72.5938.04	0K1362	Anzeigelampe grün	Indicator light, green	D850	
	72.5938.10	0G8192	Anzeigelampe grün	Indicator light, green	for USA	
	72.5938.08	0K1364	Einsteckfassung grün/gelb Ø10mm	Lamp holder, green/yellow, Ø10mm	D850	
10	76.3011.01	0G3093	Distanzhalter 8mm	Spacer 8mm	D800/900	
11	82.1027.85	*	Bedienbl. Bain Marie W400, D800/900	Control panel Bain Marie W400, D800/900	a g k	
	82.1027.124	*	Bedienbl. Bain Marie W400, D800/900	Control panel Bain Marie W400, D800/900	a g k	6401...
	82.1027.30	0G7539	Bedienbl. Bain Marie W500, D800/900	Control panel Bain Marie W500, D800/900	b c h i l m	
	82.1027.126	*	Bedienbl. Bain Marie W500, D800/900	Control panel Bain Marie W500, D800/900	b c h i l m	6401...
	82.1049.72	*	Bedienbl. INOX Bain Marie D850	Control panel INOX Bain Marie D850	e f	
	82.1049.101	*	Bedienbl. INOX Bain Marie D850	Control panel INOX Bain Marie D850	e f	6401...
	82.1027.205	0G8143	Bedienbl. Bain Marie W400 °F	Control panel Bain Marie W400 °F	for USA	
12	1 701 1072	0G6833	Senkkopfschraube M5x12	Countersunk screw M5x12	1/1 GN	
13	82.7009	0G6247	Dichtung Drehgriff	Sealing for handle	1/1 GN	
14	82.6637.02	0G7694	Drehgriff Kpl.	Handle complete kit	1/1 GN	
15	87.9204	0CB130	Sicherungshalter Schurter 6.3x32 500V	Fuse holder Schurter 6.3x32 500V	1/1 GN Marine	
16	82.9171	0TTR73	Sicherung 6.3x32 0.63A 500V	Fuse 6.3x32 0.63A 500V	1/1 GN Marine	
17	75.2012.01	0K5155	Sicherungsklemme	Fuse holder terminal	1/1 GN Marine	
	75.2012.02	0T2599	Sicherungsklemme Abschlusswand	Cover for fuse holder terminal	1/1 GN Marine	
18	82.9065	0G6668	Klemme FV122 V/V	Terminal FV122 V/V	1/1 GN	
	82.9101	0G7023	Kabel: FV122 V/V - Erdungsbolzen	Cable: FV122 V/V - ground bolt	1/1 GN	
19	82.9103	0G6424	Kabel: Haupterd draht L400 6mm²	Cable: main earthing L400 6mm²	1/1 GN	
20	82.3029	*	Halteblech	Metal support	1/1 GN Marine	
21	82.9190	0G6874	Turoidal Autotransformator	Turoidal Autotransformer	1/1 GN Marine	
22	1 701 4003	0G3659	Unterlegscheibe M6	Washer M6	1/1 GN Marine	
23	1 701 5051	0G6753	Fächerscheibe M6	Fan washer M6	1/1 GN Marine	
24	1 701 2599	0K4604	Sechskantschraube M6x70	Hex bolt M6x70	1/1 GN Marine	
25	82.2810	0G6875	Kabelverschraubung PG16	Cable gland PG16	1/1 GN Marine	
26	82.9225	0G7170	Gegenmutter PG16	Lock nut PG16	1/1 GN Marine	
27	1 103 1652	0G5285	Gummitülle	Rubber sleeve	1/1 GN	6401...
28	82.2831.01	*	Hahnenarretierung D800	Tap locking D800	D800	6401...
	82.2831.02	*	Hahnenarretierung D850	Tap locking D850	D850	6401...
	82.2831.03	*	Hahnenarretierung D900	Tap locking D900	D900	6401...
29	82.2833		Griff Ablauf	Handle drain	1/1 GN	6401...
30	0001515500		Becherschraube M5x10	Roundheaded bolt M5x10	1/1 GN	6401...
	82.9100	0G7171	Kabel: Potentiometer - Display L200	Cable: Potentiometer - Display L200	D800/900	
	82.9110	0G7172	Kabel: Transformator - Display L450	Cable: Transformer - Display L450	D800/900	
	82.9108	0G7175	Kabel: X0 - Schalter - Transformator	Cable: X0 - Switch - Transformer	D800/900	
	82.9109.01	0G7173	Kabel: Schalter - Heizungen 1/IGN BM	Cable: Switch - Heating 1/IGN BM	1/1 GN	
	82.9231	0G7174	Kabel: Bain Marie D850	Cable: Bain Marie D850	D850	
	82.9197		Kabel: Bain Marie 1/IGN Marine	Cable: Bain Marie 1/IGN Marine	1/1 GN Marine	
	82.9258	0G8135	Kabel: UL Transformator - Display	Cable: UL Transformer - Display	D800/900 for USA	
	82.9257	0G8260	Kabel: UL Poti (EGO) - Display L200	Cable: Poti (EGO) - Display L200	D800/900 for USA	
	82.9256	0G8259	Kabel: UL Bain Marie 1/IGN	Cable: UL Bain Marie 1/IGN	for all types USA	

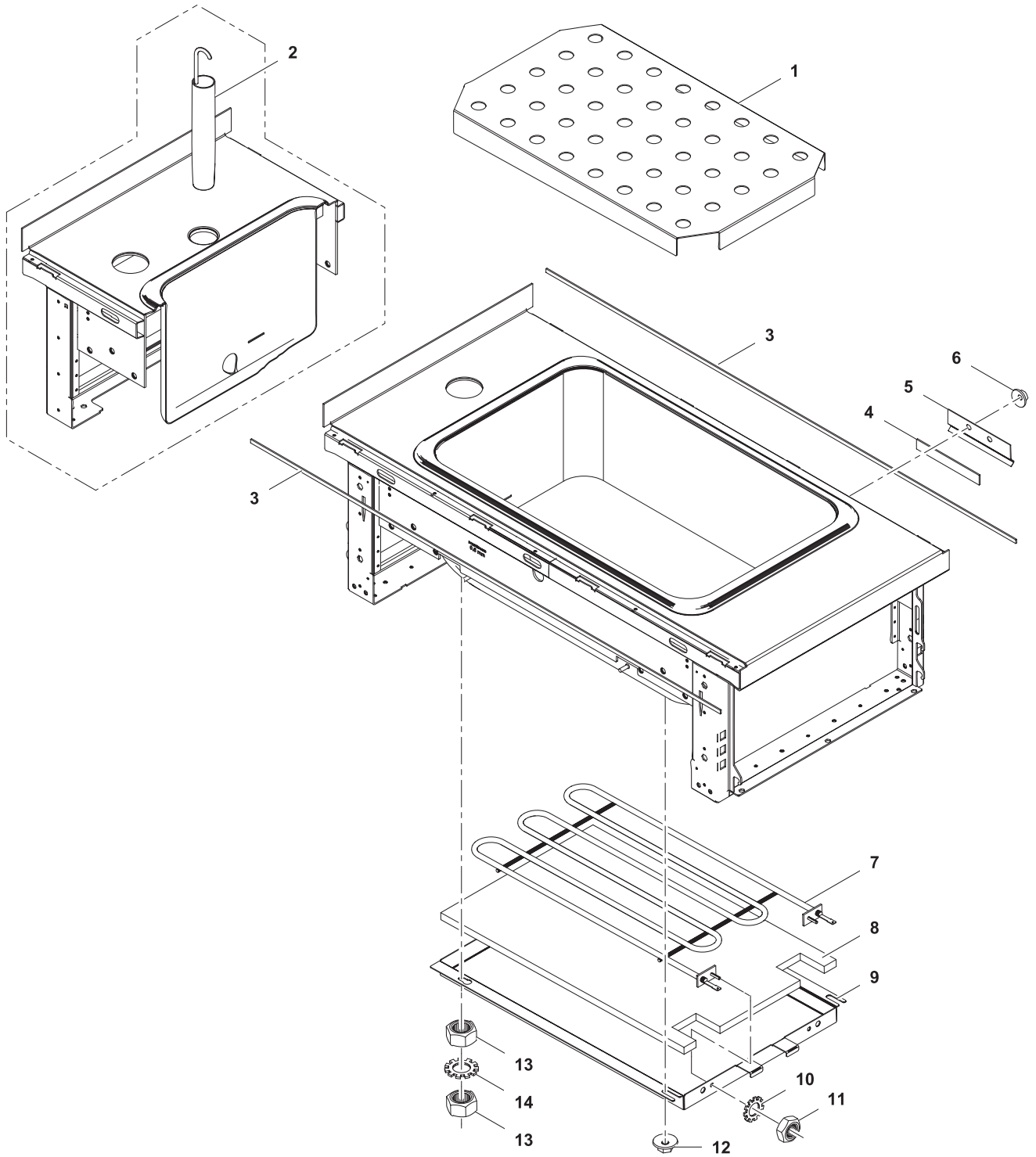


2	Alias	Code	Bezeichnung	Description	Ref.	Valid from Serial N°
1	82.3021	*	Elektrobox 800	Electrical compartment 800	2/1 GN	
2	82.3001	*	Standardventilationsbox links	Ventilation box left	2/1 GN	
3	82.3002	OG7450	Standardventilationsbox rechts	Ventilation box right	2/1 GN	
4	712 044961.17	OKT854	Kabeltülle Ø25/Ø31/Ø35x10	Cable sleeve Ø25/Ø31/Ø35x10	2/1 GN	
5	82.7093	056582	Halter Sicherung	Fuse holder	2/1 GN	
6	712 344362.01	OG5814	Sicherung 5x20 1A	Fuse 5x20 1A	2/1 GN	
7	82.9076	OG6317	Schalter off-lin 3/4 +Regler 93° +10K Poti	switch off-lin 3/4+control 93°+10K Potent	D800/900	
	1 115 1590	OG2764	Kapillarrohrregler	Capillary control	D850	
8	82.9030	OG6075	DC Power supply 2V	DC Power supply 2V	D800/900	
9	82.9115.02	OG6303	Eurotas Display Bain Marie	Eurotas display Bain Marie	D800/900	
	72.5938.04	OKI362	Anzeigelampe grün	Indicator light, green	D850	
	72.5938.08	OKI364	Einsteckfassung grün/gelb Ø10mm	Lamp holder, green/yellow, Ø10mm	D850	
10	76.3011.01	OG3093	Distanzhalter 8mm	Spacer 8mm	D800/900	
11	82.1027.86	*	Bedienbl. Bain Marie W800, D800/900	Control panel Bain Marie W800, D800/900	D800/900	
	82.1027.125	*	Bedienbl. Bain Marie W800, D800/900	Control panel Bain Marie W800, D800/900	D800/900	6401...
	82.1049.73	*	Bedienbl. INOX Bain Marie D850	Control panel INOX Bain Marie D850	D850	
	82.1049.102	*	Bedienbl. INOX Bain Marie D850	Control panel INOX Bain Marie D850	D850	6401...
12	1 701 1072	OG6833	Senkkopfschraube M5x12	Countersunk screw M5x12	2/1 GN	
13	82.7009	OG6247	Dichtung Drehgriff	Sealing for handle	2/1 GN	
14	82.6637.02	OG7694	Drehgriff Kpl.	Handle complete kit	2/1 GN	
15	1 115 1757	OG4645	SCHÜTZ K3-14X027	Conductor K3-14X027	2/1 GN Marine	
16	75.2012.01	OK5155	Sicherungsklemme	Fuse holder terminal	2/1 GN Marine	
	75.2012.02	OT2599	Sicherungsklemme Abschlusswand	Cover for fuse holder terminal	2/1 GN Marine	
17	712 344362.01	OG5814	Sicherung 5x20 1A	Fuse 5x20 1A	2/1 GN Marine	
18	82.9177	OTTW84	Sicherungsklemme Weidmüller	Fuse holder terminal Weidmüller	2/1 GN Marine	
19	82.9219	OG6949	Sicherung 6.3X32 12.0 AT 500V	Fuse 6.3X32 12.0 AT 500V	2/1 GN Marine	
20	87.9204	OCB130	Sicherungshalter Schurter 6.3x32 500V	Fuse holder Schurter 6.3x32 500V	2/1 GN Marine	
21	82.9218	OG6948	Sicherung 6.3X32 6.30 AT 500V	Fuse 6.3X32 6.30 AT 500V	2/1 GN Marine	
22	82.9065	OG6668	Klemme FV122 V/V	Terminal FV122 V/V	2/1 GN	
	82.9101	OG7023	Kabel: FV122 V/V - Erdungsbolzen	Cable: FV122 V/V - ground bolt	2/1 GN	
23	82.9103	OG6424	Kabel: Haupterdndraht L400 6mm²	Cable: main earthing L400 6mm²	2/1 GN	
24	82.3029	*	Halteblech	Metal support	2/1 GN Marine	
25	82.9190	OG6874	Turoidal Autotransformator	Turoidal Autotransformer	2/1 GN Marine	
26	1 701 4003	OG3659	Unterlegscheibe M6	Washer M6	2/1 GN Marine	
27	1 701 5051	OG6753	Fächerscheibe M6	Fan washer M6	2/1 GN Marine	
28	1 701 2599	OK4604	Sechskantschraube M6x70	Hex bolt M6x70	2/1 GN Marine	
29	82.2810	OG6875	Kabelverschraubung PG16	Cable gland PG16	2/1 GN Marine	
30	82.9225	OG7170	Gegenmutter PG16	Lock nut PG16	2/1 GN Marine	
31	1 103 1652	OG5285	Gummitülle	Rubber sleeve	2/1 GN	6401...
32	82.2831.01	*	Hahnenarretierung D800	Tap locking D800	D800	6401...
	82.2831.02	*	Hahnenarretierung D850	Tap locking D850	D850	6401...
	82.2831.03	*	Hahnenarretierung D900	Tap locking D900	D900	6401...
33	82.2833		Griff Ablauf	Handle drain	2/1 GN	6401...
34	0001515500		Becherschraube M5x10	Roundheaded bolt M5x10	2/1 GN	6401...
	82.9100	OG7171	Kabel: Potentiometer - Display L200	Cable: Potentiometer - Display L200	D800/900	
	82.9110	OG7172	Kabel: Transformator - Display L450	Cable: Transformer - Display L450	D800/900	
	82.9108	OG7175	Kabel: X0 - Schalter - Transformator	Cable: X0 - Switch - Transformer	D800/900	
	82.9109.02	OG7176	Kabel: Schalter - Heizungen 2/IGN BM	Cable: Switch - Heating 2/IGN BM	2/1 GN	
	82.9231	OG7174	Kabel: Bain Marie D850	Cable: Bain Marie D850	D850	
	82.9210	OG6954	Kabel: Bain Marie 2/IGN Marine	Cable: Bain Marie 2/IGN Marine	2/1 GN Marine	
	82.9258	OG8135	Kabel: UL Transformator - Display	Cable: UL Transformer - Display	D800/900 for USA	
	82.9257	OG8260	Kabel: UL Poti (EGO) - Display L200	Cable: Poti (EGO) - Display L200	D800/900 for USA	
	82.9256	OG8259	Kabel: UL Bain Marie 1/IGN	Cable: UL Bain Marie 1/IGN	for all types USA	

\* Components on demand  
\* Teile auf Anfrage

Doc. № 599A2AG00 / 82.8035.03

Page: 5

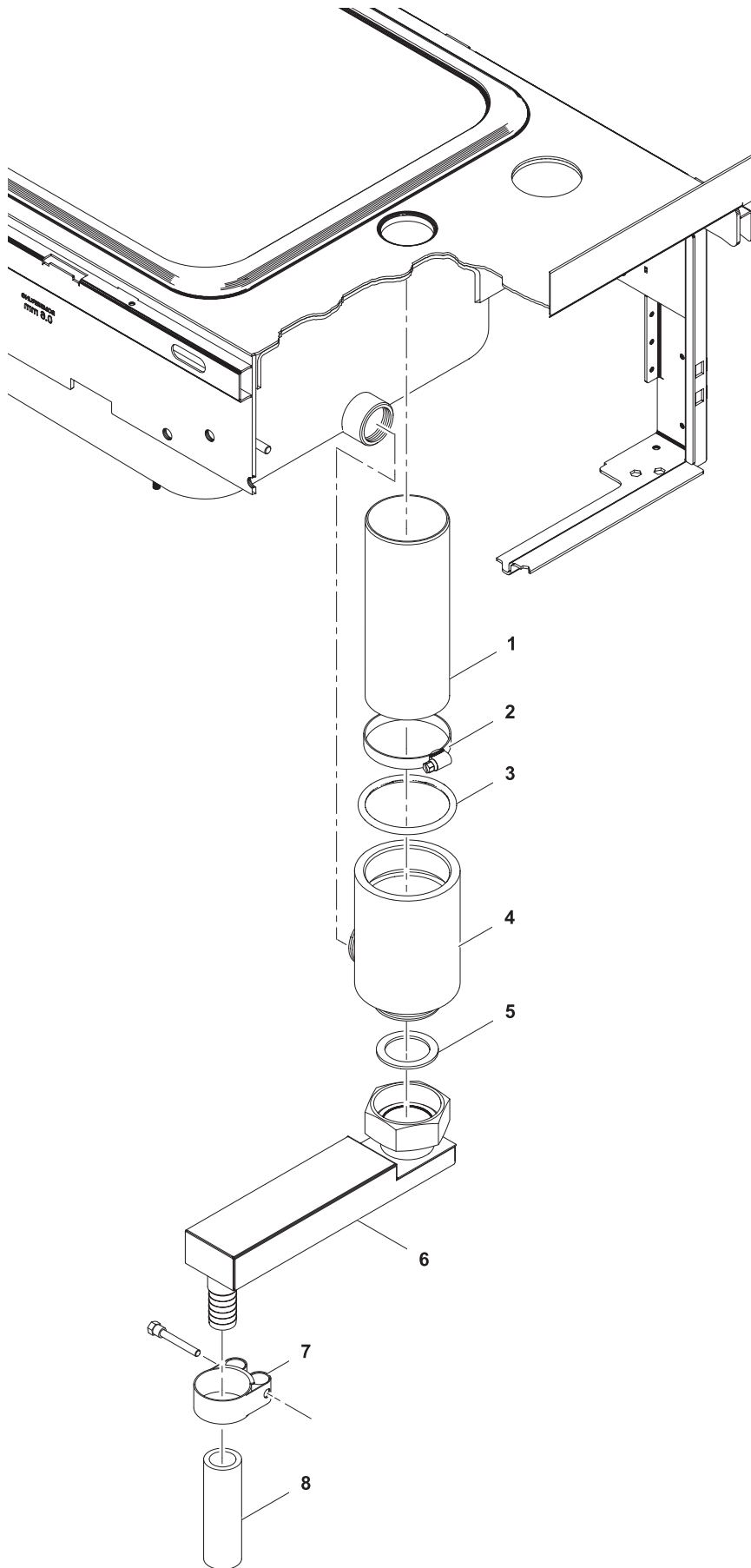


<b>3</b>	Alias	Code	Bezeichnung	Description	Ref.	Valid from Serial N°
1	82.2289	0G6583	Einlegeboden 1/IGN	False bottom 1/IGN	1/1 GN	until 6391...
	82.283901	0G8477	Einlegeboden 1/IGN	False bottom 1/IGN	1/1 GN	6401...
	62.6219	0G7177	Einlegeboden 2/IGN	False bottom 2/IGN	2/1 GN	until 6391...
	82.283902	0G8478	Einlegeboden 2/IGN	False bottom 2/IGN	2/1 GN	6401...
2	72.0313	0K5782	Standrohr zu Ablauf	Stopper	all types	
3	82.7464	0C2496	Dichtband (Schaumstoff-Silikon, klebend)	Sealing strip	all types	
4	72.1278	0T2298	Isolation Fühlerhalter	Probe insulation	all types	
5	72.1096	0G4143	Fühlerhalter	Probe support	all types	
6	712 044120.05	0G3998	Keps-Mutter M5	Keps nut M5	all types	
7	1 115 1583	0KI334	Heizung 1500W / 400V	Heating element 1500W / 400V	all types	
	1 115 1688	0G4141	Heizung 1500W / 208V	Heating element 1500W / 208V	for USA	
8	1 201 2056	0KI338	Isolation Heizung	Insulation Heating element	all types	
9	62.3687	0G7688	Gehäuse Heizung 1/1 GN	Casing for heating element 1/1 GN	1/1 GN	
	82.2452	*	Gehäuse Heizung 2/1 GN	Casing for heating element 2/1 GN	2/1 GN	
	82.2835	*	Gehäuse Heizung 2/1 GN	Casing for heating element 2/1 GN	2/1 GN	5401...
	82.2837	*	Gehäuse Heizung 1/1 GN	Casing for heating element 1/1 GN	1/1 GN	5441...
10	1 701 7060		Fächerscheibe M4	Fan washer M4	all types	
11	1 701 3004	0K4606	Sechskantmutter M4	Hex nut M4	all types	
12	712 044120:05	0G3998	Keps-Mutter M5	Keps nut M5	all types	
13	1 701 3008	0G6111	Sechskantmutter M5	Hex nut M5	all types	
14	1 701 7002	0G2923	Fächerscheibe M5	Fan washer M5	all types	

\* Components on demand  
\* Teile auf Anfrage

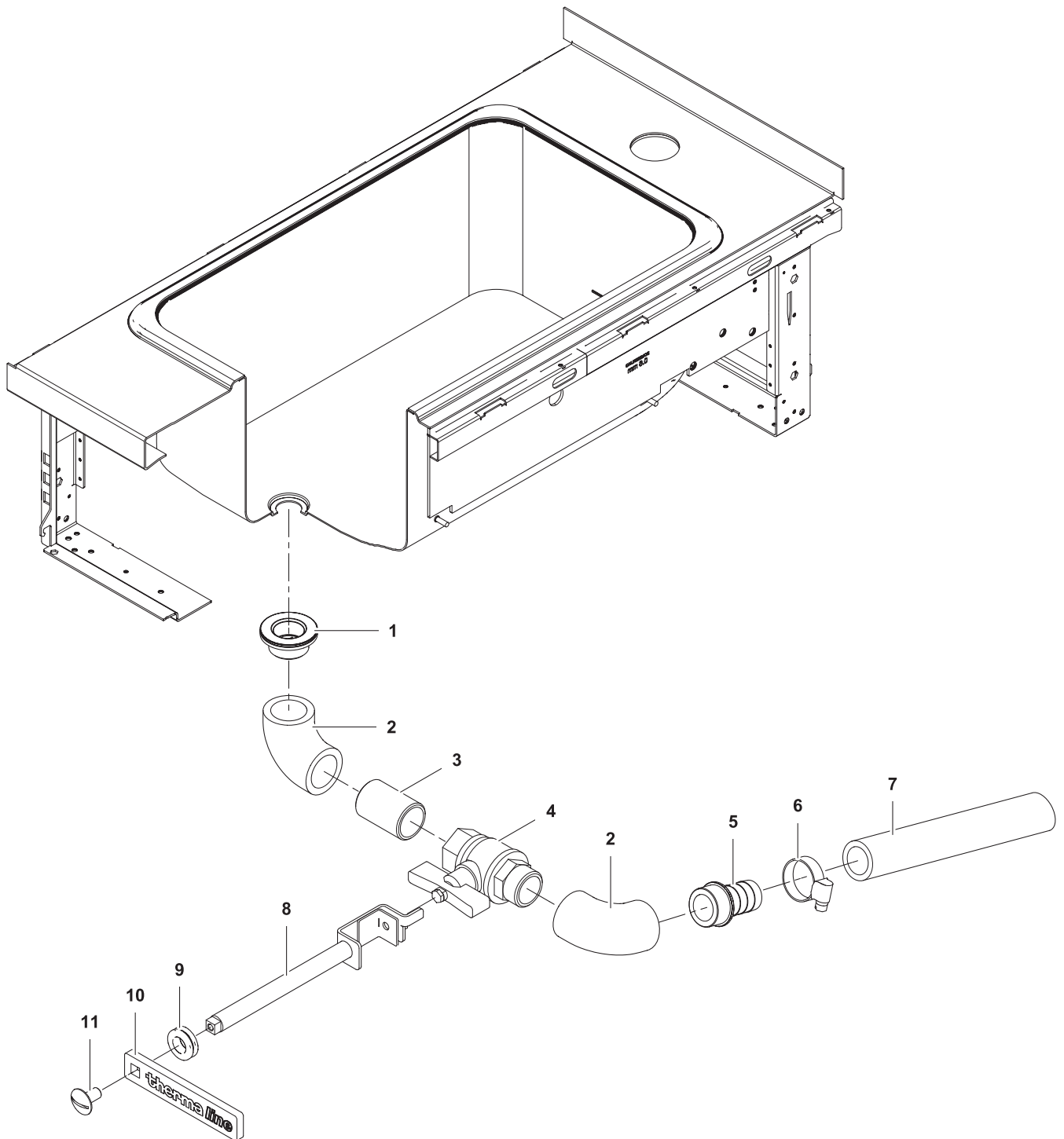
Doc. № 599A2AG00 / 82.8035.03

Page: 7

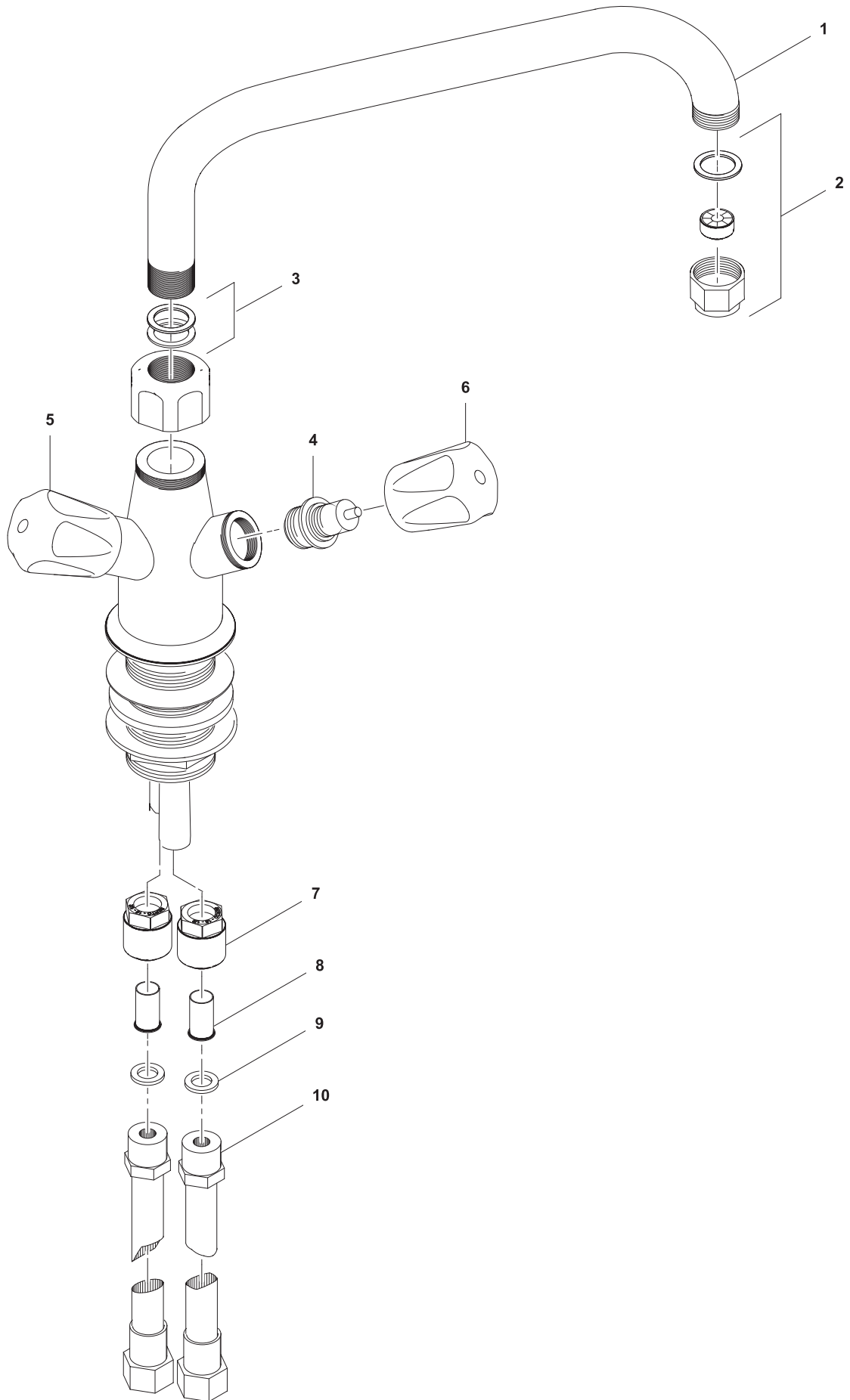




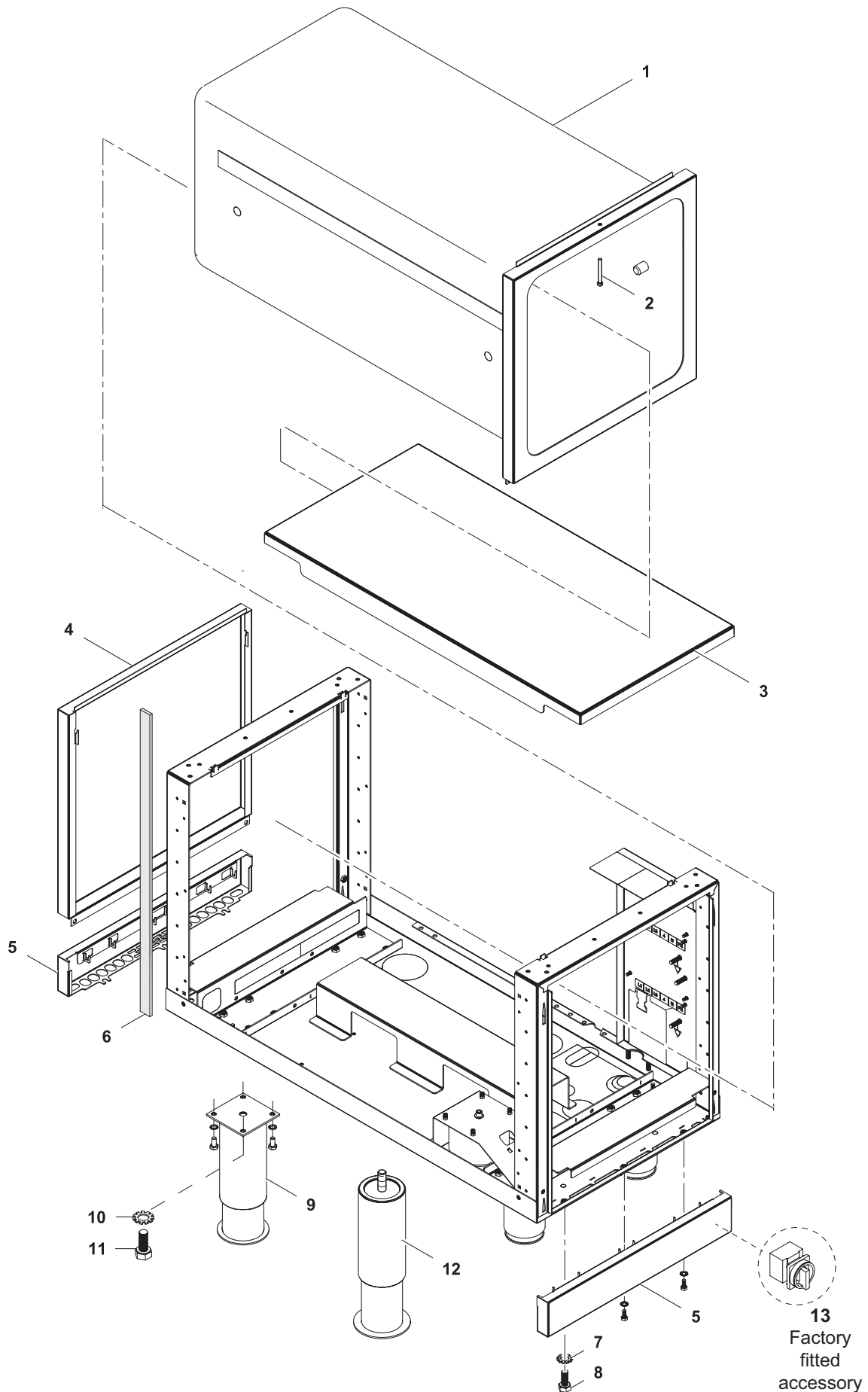








6	Alias	Code	Bezeichnung	Description	Ref.	Valid from Serial N°
	1 105 1257 62.7577	OG2974 OG4148	Kit Mischbatterie Klarco (Pos. 1-6) Mischbatterie T&S USA	Kit Mixer tap Klarco (pos. 1-6) Mixer tap T&S USA	all types for USA	
1	62.6223.07	OS0959	Schwenkauslauf 3/4", 300x450mm	Swivel spout 3/4", 300x450mm	all types	
2	1 105 1265	OG5273	Tropfschutz	Drip stop	all types	
3	62.6223.02	OL0736	Dichtungsringe	Sealing rings	all types	
4	62.6223.03	OL0450	Ventileinsatz	Valve insert	all types	
5	62.6223.04	OL1041	Griff Heißwasser	Knob hot water	all types	
6	62.6223.05	OL1040	Griff Kaltwasser	Knob cold water	all types	
7	1 101 2075	OKX119	Anschluss G1/2"	Connection G1/2"	all types	
8	1 101 3797	OKE129	Stützhülse Ø15	Sleeve Ø15	all types	
9	712 044481.21	OG3610	Dichtung Ø18/11	Sealing Ø18/11	all types	
10	712 344893.02	OK5363	Panzerschlauch L1100 G1/2" / R1/2"	Armored hose L1100 G1/2" / R1/2"	all types	
	1 201 1813	OG3817	Kleber LOCTIE 577	Glue LOCTITE 577	all types	



7	Alias	Code	Bezeichnung	Description	Ref.	Valid from Serial N°
1	83.3704.01	OG6888	Korpus H3 W400	Corpus H3 W400	k	
	83.3704.09	OG6915	Korpus H3 W500	Corpus H3 W500	l m	
	83.3704.04	OG6889	Korpus H3 W800	Corpus H3 W800	n	
2	1 701 1150	OG7041	Flachkopfschraube M5 x 50	Flat head screw M5 x 50	k l m n	
3	83.3718.01	OG6890	Tablar H3 W400	Shelf H3 W400	k l m	
	83.3718.02	OG6891	Tablar H3 W700	Shelf H3 W700	n	
4	82.1102.03	OG7284	Rückwand 400x700	Back panel 400x700	k	
	82.1102.04		Rückwand 500x700	Back panel 500x700	l m	
	82.1102.07	OG7286	Rückwand 800x700	Back panel 800x700	n	
5	82.1140.04	OG7122	Anschlussdeckel W400	Bottom panel W400	k	
	82.1140.05	OG7287	Anschlussdeckel W500	Bottom panel W500	l m	
	82.1140.08	OG7288	Anschlussdeckel W800	Bottom panel W800	n	
6	82.7467	OC7307	Dichtung 5mm	Sealing sides 5mm	k l m n	
7	1 701 7002	OG2923	Fächerscheibe M5	Fan washer M5	k l m n	
8	1 701 2579	OG4020	Sechskantschraube M5x16	Hex bolt M5x16	k l m n	
9	83.3728	OG6886	Stellfuß 2" Marine 145-252mm	Adjustable feet 2" Marine 145-252mm	k l m n	
10	1 701 5051	OG6753	Fächerscheibe M6	Fan washer M6	k l m n	
11	1 701 2600	OKT919	Sechskantschraube M6x12	Hex bolt M6x12	k l m n	
12	82.0350.03		Fuss M10 200mm Marine	Foot M10 200mm Marine	k l m n	7141...
13	76.9164.01	OG2137	Hauptschalter 25A	Main switch 25A	H800	8041...

