

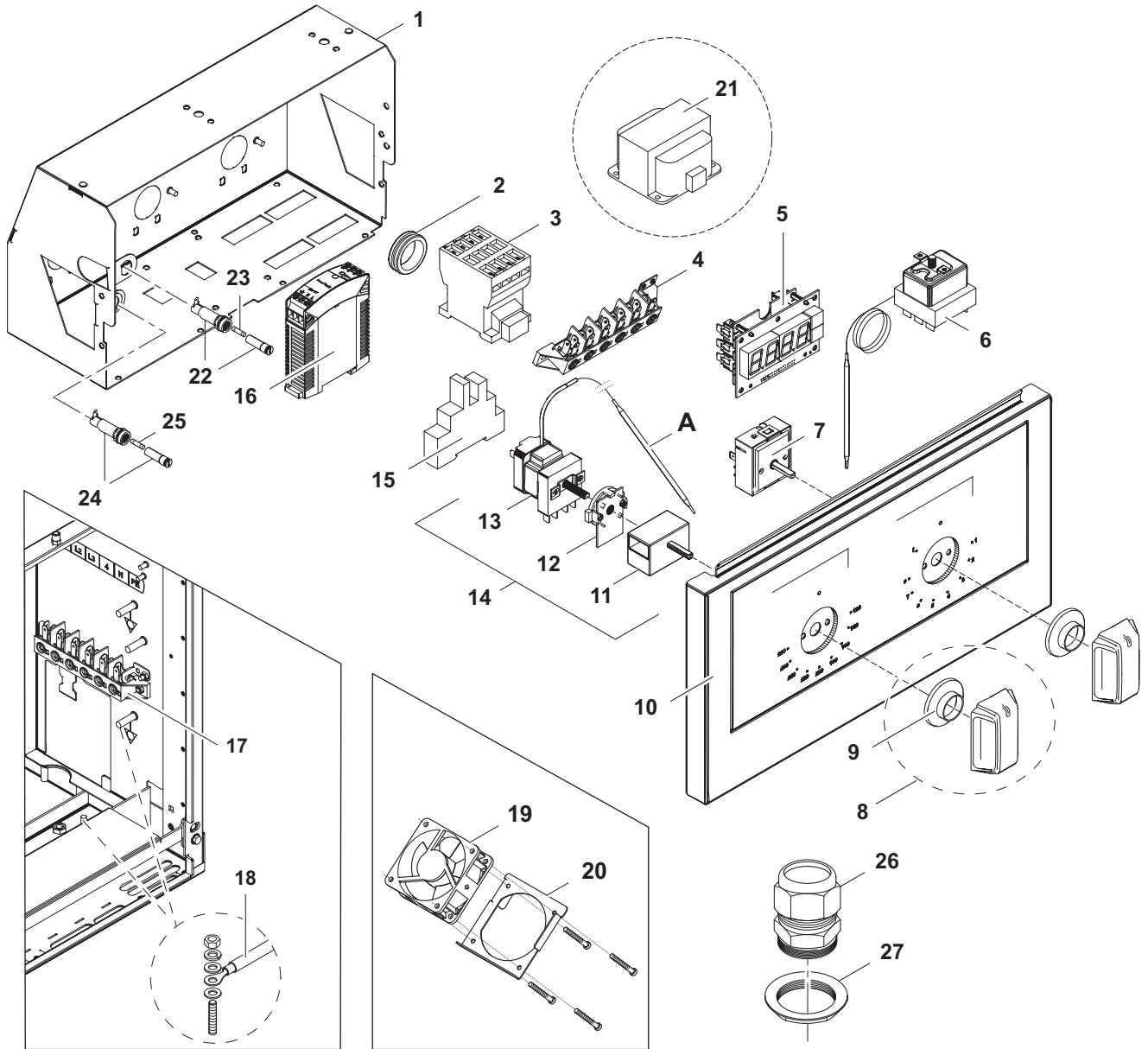
**THERMALINE 80/85/90**

**DE** ELEKTRISCHER BRATHERD  
**EN** ELECTRIC MULTIBRAISER

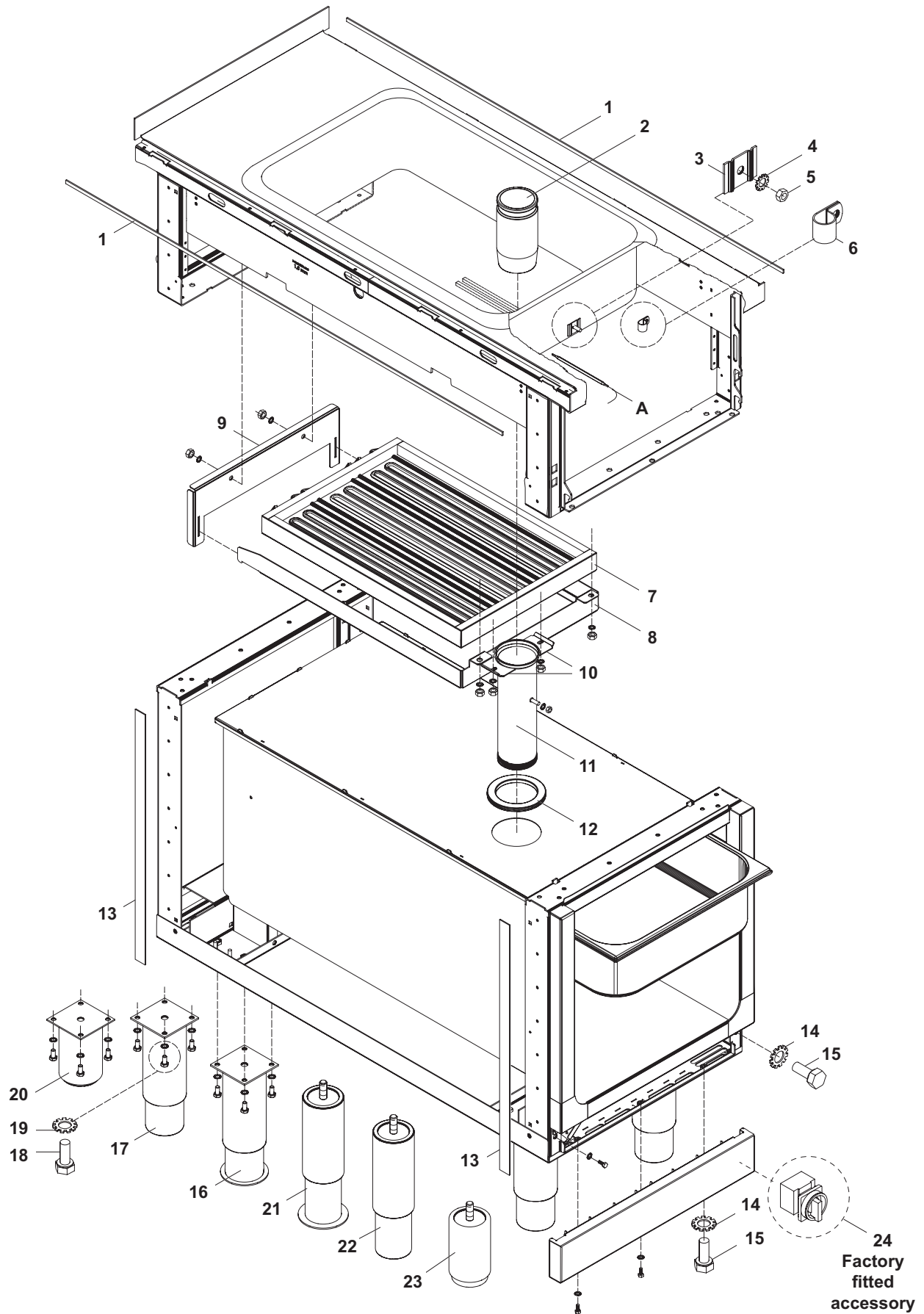
| PNC    | Factory Model | Ref. | Description                   |
|--------|---------------|------|-------------------------------|
| 588183 | MAAAEADDAO    | a    | 1/1 GN, 400X800X700H          |
| 588184 | MAAAEBDDAO    | a    | 1/1 GN, C-BOARD, 400X800X700H |
| 588277 | MAAAFADDAO    | b    | 1/1 GN, 400X800X800H          |
| 588278 | MAAFBDDAO     | b    | 1/1 GN, C-BOARD, 400X800X800H |
| 588612 | MBAAGBDDAO    | c    | 1/1 GN, C-BOARD, 400X850X700H |
| 589266 | MCAAEADDAO    | d    | 1/1 GN, 400X900X700H          |
| 589267 | MCAAEBDDAO    | d    | 1/1 GN, C-BOARD, 400X900X700H |
| 589435 | MCAAFADDAO    | e    | 1/1 GN, 400X900X800H          |
| 589436 | MCAAFBDDAO    | e    | 1/1 GN, C-BOARD, 400X900X800H |
| 588189 | MAADEAHDAO    | f    | 2/1 GN, 800X800X700H          |
| 588190 | MAADEBHDAO    | f    | 2/1 GN, C-BOARD, 800X800X700H |
| 588283 | MAADFAHDAO    | g    | 2/1 GN, 800X800X800H          |
| 588284 | MAADFBHDAO    | g    | 2/1 GN, C-BOARD, 800X800X800H |
| 588615 | MBADGBHDAO    | h    | 2/1 GN, C-BOARD, 800X850X700H |
| 589272 | MCADEAHDAO    | i    | 2/1 GN, 800X900X700H          |
| 589273 | MCADEBHDAO    | i    | 2/1 GN, C-BOARD, 800X900X700H |
| 589441 | MCADFAHDAO    | j    | 2/1 GN, 800X900X800H          |
| 589442 | MCADFBHDAO    | j    | 2/1 GN, C-BOARD, 800X900X800H |
| 589818 | MCAGEAD1DM    | k    | MARINE* 1/1 GN, 400X900X700   |
| 589819 | MCAHEAHIDM    | l    | MARINE* 2/1 GN, 800X900X700   |

| Page | Index                          | Last Updates | Page  | Ref.          |
|------|--------------------------------|--------------|-------|---------------|
| 2    | Electrical parts 1/1 GN        | 12/2015      | all   |               |
| 4    | Mechanical module 1/1 GN (FMM) | 01/2016      | all   |               |
| 6    | Electrical parts 2/1 GN        | 04/2017      | 4/9   |               |
| 8    | Mechanical module 2/1 GN (FMM) | 10/2017      | 5/9   | 2/2           |
|      |                                | 11/2017      | 3/7   | 22/14         |
|      |                                | 11/2017      | 5/9   | 22, 23/15, 16 |
|      |                                | 11/2017      | 7     |               |
|      |                                | 05/2018      | 5/9   | 24 / 2, 17    |
|      |                                | 12/2018      | 3 / 7 | 8 / 7         |
|      |                                | 05/2019      | 3 / 7 | 8, 9 / 6, 7   |

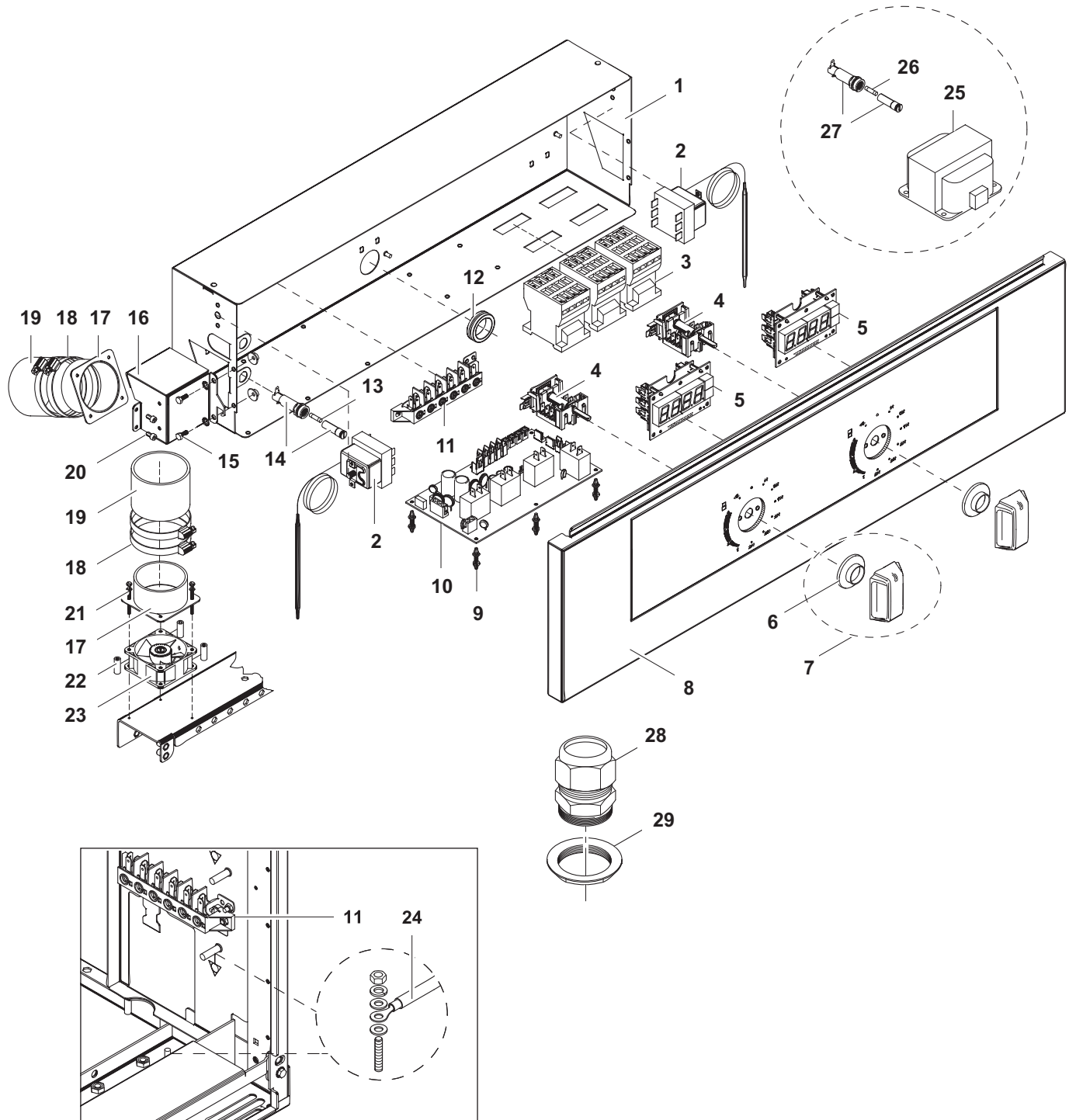
Valid from Ser. № 3101....



| 1  | Alias         | Code   | Bezeichnung                                 | Description                              | Ref.        | Valid from Serial N° |
|----|---------------|--------|---|--|-------------|----------------------|
| 1  | 82.3010       | OG7303 | Elektrobox                                  | Electrical compartment                   | a b c d e k |                      |
| 2  | 712 044961.17 | OKT854 | Kabeltülle Ø25/Ø31/Ø35                      | Cable sleeve Ø25/Ø31/Ø35                 | a b c d e k |                      |
| 3  | 1 115 1757    | OG4645 | Schütz K3-14X027 + K2-E230                  | Contactactor K3-14X027 + K2-E230         | a b c d e k |                      |
| 4  | 82.7023       | 058613 | Klemme FV122                                | Terminal FV122                           | a b c d e k |                      |
| 5  | 82.9115.04    | OG6305 | EUROTAS Display Multibraiser                | EUROTAS Display Multibraiser             | a b d e k   |                      |
| 6  | 82.9053       | 004269 | Sicherheitsthermostat 360°C-25K             | Safety thermostat 360°C-25K              | a b c d e k |                      |
| 7  | 75.0011       | 0C1605 | Energeregler 230V                           | Energy regulator 230V                    | a b c d e k |                      |
| 8  | 82.6637.02    | OG7694 | Drehgriff Kpl.                              | Handle complete kit                      | a b c d e k |                      |
|    | 82.6638.02    | OG8621 | Drehgriff Kpl.                              | Handle complete kit                      | colored M2M |                      |
| 9  | 82.7009       | OG6247 | Dichtung Drehgriff                          | Sealing for handle                       | a b c d e k |                      |
|    | 82.7628       | OG8603 | Dichtung Drehgriff                          | Sealing for handle                       | colored M2M |                      |
| 10 | 82.1027.59    | *      | Bedienblende Multibraiser 1/IGN             | Control panel Multibraiser 1/IGN         | a b d e k   |                      |
|    | 82.1049.81    | *      | Bedienblende INOX Multibraiser 1/IGN        | Control panel INOX Multibraiser 1/IGN    | c           |                      |
|    | 72.5938.04    | OKI362 | Anzeigelampe, grün                          | Indicator light, green                   | c           |                      |
|    | 72.5938.08    | OKI364 | Einsteckfassung, grün/gelb, Ø10mm           | Lamp holder, green/yellow, Ø10mm         | c           |                      |
|    | 72.5938.03    | OKI361 | Anzeigelampe, klar                          | Indicator light, transparent             | c           |                      |
|    | 72.5938.07    | OKI363 | Einsteckfassung, klar, Ø10mm                | Lamp holder, transparent, Ø10mm          | c           |                      |
| 11 | 62.1506       | OG2759 | Drehwinkelschalter                          | Rotary switch                            | a b d e k   |                      |
| 12 | 82.9095       | OG6393 | Potentiometer 10 für Display                | Potentiometer 10 for display             | a b d e k   |                      |
| 13 | 82.7359       | 002109 | Schalter mit Thermostat 80-270°C            | Thermostat switch 80-270°C               | a b c d e k |                      |
| 14 | 82.9114       | OG6319 | Schalter off-line 3/4+Regler 260°C+10K Poti | Assembled switch 260°C+10K Potentiometer | a b d e k   |                      |
| 15 | 82.9174       | OG6750 | Relais 230V SCHRACK                         | Relay 230V SCHRACK                       | a b d e k   |                      |
| 16 | 82.9030       | OG6075 | DC Power Supply 12V                         | DC Power Supply 12V                      | a b d e k   |                      |
| 17 | 82.7023       | 058613 | Klemme FV122                                | Terminal FV122                           | a b c d e k |                      |
| 18 | 82.9103       | OG6424 | Kabel Haupterd draht L400 6mm²              | Main earthing cable L400 6mm²            | a b c d e k |                      |
| 19 | 82.7159       | OG6274 | Ventilator 60x60x25 622HH (3.5W)            | Cooling fan 60x60x25 622HH (3.5W)        | a b c d e k |                      |
|    | 82.7537       | OG7488 | Ventilator 60x60x25 PWM                     | Cooling fan 60x60x25 PWM                 | a b c d e k | 5361....             |
| 20 | 82.3009       | *      | Halteblech Ventilator                       | Cooling fan support                      | a b c d e k |                      |
|    | 1 701 1083    | OG5755 | Zylinderschraube M3x30                      | Socket cap screw M3x30                   | a b c d e k |                      |
|    | 1 701 3540    | 2K1478 | Unterlegscheibe M3                          | Washer M3                                | a b c d e k |                      |
| 21 | 82.9209       | 006710 | Autotransformator 0-240-400-440V 150VA      | Autotransformer 0-240-400-440V 150VA     | k           |                      |
| 22 | 87.9204       | 0CB130 | Sicherungshalter 6.3X32 500V                | Fuse holder 6.3X32 500V                  | k           |                      |
| 23 | 82.9171       | OTTR73 | Sicherung 6.3X32 0.63A 500V                 | Fuse 6.3X32 0.63A 500V                   | k           |                      |
| 24 | 82.7093       | 056582 | Sicherungshalter                            | Fuseholder                               | k           |                      |
| 25 | 712 344362.01 | OG5814 | Sicherung 5X20 1 00 A                       | Fuse 5X20 1 00 A                         | k           |                      |
| 26 | 82.2908       | 0C0068 | Kabelverschraubung PG21                     | Cable gland PG21                         | all types   |                      |
| 27 | 82.9226       | OG7024 | Gegenmutter Kabelverschraubung PG21         | Lock nut PG21                            | all types   |                      |
|    | 82.9105       | OG6306 | Kabel: Multibraiser 1Z XD                   | Cable: Multibraiser 1Z XD                | c           |                      |
|    | 82.9230       |        | Kabel: Multibraiser 1Z                      | Cable: Multibraiser 1Z                   | a b d e k   |                      |
|    | 82.9096       | OG7419 | Kabel: Poti(EGO)-Display crossover L200     | Cable: Poti(EGO)-Display crossover L200  | a b d e k   |                      |
|    | 82.9173       |        | Kabel: Relais-Schalter-Display              | Cable: Relais-Switch-Display             | a b d e k   |                      |
|    | 82.9242       | OG7608 | Kabel: Relais-Display-Ventilator            | Cable: Relais-Display-Ventilator         | a b d e k   | 5361....             |
|    | 82.9011       | OG7365 | Kabel: Trafo-Display-Ventilator             | Cable: Transformer-Display-Ventilator    | a b d e k   |                      |
|    | 82.9110       | OG7172 | Kabel: Trafo-Display L450                   | Cable: Transformer-Display L450          | a b d e k   | 5361....             |
|    | 82.9035.01    | OG6982 | Kabel: X0-X1 Hauptzuleitung LI500           | Cable: X0-X1 Mains LI500                 | a b c d e k |                      |
|    | 82.9233       |        | Kabel: Multibräter 1Z Marine Kabel          | Cable: Multibraiser 1Z Marine Cable      | k           |                      |



| 2  | Alias         | Code   | Bezeichnung                              | Description                              | Ref.        | Valid from Serial N° |
|----|---------------|--------|--|--|-------------|----------------------|
| 1  | 82.7464       | OC2496 | Dichtband (Schaumstoff-Silikon, klebend) | Sealing strip                            | a b c d e k |                      |
| 2  | 82.7580       | OC9001 | Stöpsel Bratherd                         | Plastic stopper, Multibraiser            | a b c d e k | 7091...              |
| 3  | 82.2466       | 051383 | Kapillarrohr Befestigung                 | Capillary probe holder                   | a b c d e k |                      |
| 4  | 1 701 7002    | OG2923 | Fächerscheibe M5                         | Fan washer M5                            | a b c d e k |                      |
| 5  | 712 044120.05 | OG3998 | Sechskantmutter M5                       | Hex nut M5                               | a b c d e k |                      |
| 6  | 1 115 1635    | 0T1791 | Abschirmschelle K-8104 für Kabel Ø11,1   | Screening bracket K-8104 for cable Ø11,1 | a b c d e k |                      |
| 7  | 82.7475.01    | OG6751 | Heizung 3x1.67kW/230V (400V/5kW/7.2A)    | Heating 3x1.67kW/230V (400V/5kW/7.2A)    | a b c d e   |                      |
|    | 82.7475.03    | OG6752 | Heizung 3x1.67kW/208V (208V/5kW/13.9A)   | Heating 3x1.67kW/208V (208V/5kW/13.9A)   | (UL)        |                      |
|    | 82.7475.07    | OG6883 | Heizung 3x1.67kW/254V (440V/5kW/6.6A)    | Heating 3x1.67kW/254V (440V/5kW/6.6A)    | k           |                      |
| 8  | 82.2470       | *      | Heizung Rahmen                           | Heating frame                            | a b c d e k |                      |
| 9  | 82.2469       | *      | Heizung Halter                           | Heating support                          | a b c d e k |                      |
| 10 | 82.2468       | *      | Ablaufblech                              | Drain support                            | a b c d e k |                      |
|    | 82.2963       | *      | Halter Ablauf                            | Drain support                            | a b c d e k | 6481...              |
| 11 | 82.7341       | OC2831 | Ablaufrohr, geschweißt                   | Drain pipe, welded                       | a b c d e   |                      |
|    | 82.3057       |        | Ablaufrohr, geschweißt                   | Drain pipe, welded                       | k           | 6011...              |
| 12 | 82.7342       | 053829 | Dichtungsmanschette Ø86/61               | Sealing collar Ø86/61                    | a b c d e k |                      |
| 13 | 82.7467       | OC7307 | Dichtung Geräte seitwärts (NM)           | Side-sealing strip                       | a b c d e k |                      |
| 14 | 1 701 7002    | OG2923 | Fächerscheibe M5                         | Fan washer M5                            | a b c d e k |                      |
| 15 | 1 701 2507    | OG4653 | Sechskantschraube M5x16                  | Hex bolt M5x16                           | a b c d e k |                      |
| 16 | 83.3728       | OG6886 | Stellfuß 2" Marine 145-252mm             | Adjustable feet 2" Marine 145-252mm      | k           |                      |
| 17 | 86.0001       | OG5391 | Stellfuß 2" 145-252mm rund               | Adjustable feet 2" 145-252mm, round      | a c d       |                      |
| 18 | 1 701 2600    | OKT919 | Sechskantschraube M6x12                  | Hex bolt M6x12                           | a b c d e k |                      |
| 19 | 1 701 5051    | OG6753 | Fächerscheibe M6                         | Fan washer M6                            | a b c d e k |                      |
| 20 | 86.2385       | OG6140 | Stellfuß 2" 100mm                        | Adjustable feet 2" 100mm                 | b e         |                      |
| 21 | 82.0350.03    |        | Stellfuß M10 200mm Marine                | Foot M10 200mm Marine                    | k           | 7141...              |
| 22 | 82.0350.01    | OG7958 | Stellfuß M10 200mm                       | Foot M10 200mm                           | a c d       | 7141...              |
| 23 | 82.0350.02    | OG7957 | Stellfuß M10 100mm                       | Foot M10 100mm                           | b e         | 7141...              |
| 24 | 76.9164.01    | OG2137 | Hauptschalter 25A                        | Main switch 25A                          | H800        | 8041...              |



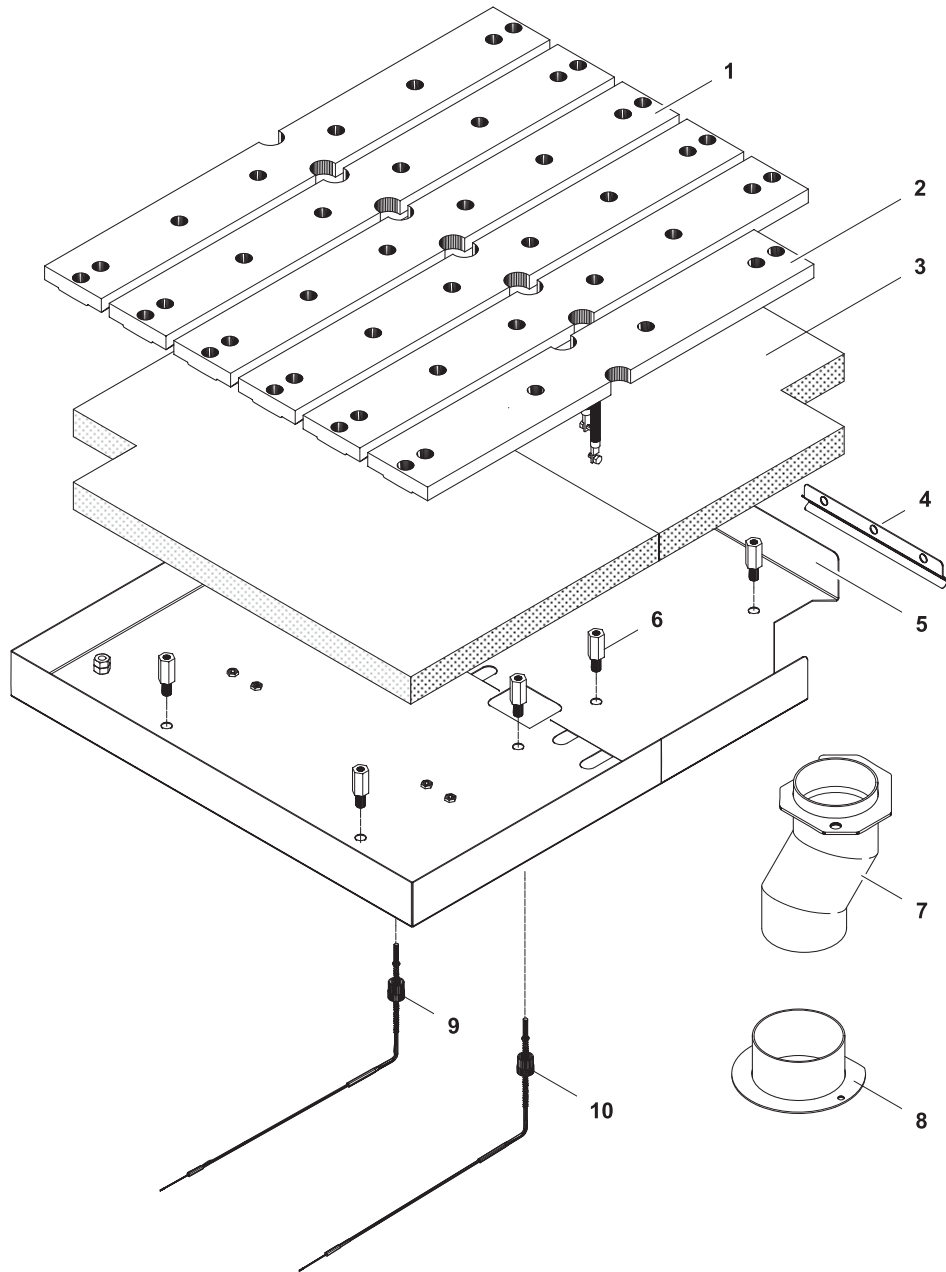
| 3  | Alias         | Code   | Bezeichnung                                    | Description                                 | Ref.        | Valid from Serial N° |
|----|---------------|--------|--|---|-------------|----------------------|
| 1  | 82.3021       | *      | Elektrobox 800+                                | Electronic box 800+                         | f g h i j l |                      |
| 2  | 62.1527       | 0G2825 | Sicherheitsthermostat 295°C-20K                | Safety thermostat 295°C-20K                 | f g h i j l |                      |
| 3  | 1 115 1757    | 0G4645 | Schütz K3-14x027                               | Conductor K3-14x027                         | f g h i j l |                      |
| 4  | 82.9018       | 0G6310 | Schalter off-line 5 Stufen + 10k Potentiometer | Switch off-line 5 steps + 10k potentiometer | f g h i j l |                      |
| 5  | 82.7015       | 0G6246 | EUROTAS Display                                | EUROTAS display                             | f g i j l   |                      |
| 6  | 82.7009       | 0G6247 | Dichtung Drehgriff                             | Sealing for handle                          | f g h i j l |                      |
|    | 82.7628       | 0G8603 | Dichtung Drehgriff                             | Sealing for handle                          | colored M2M |                      |
| 7  | 82.6637.01    | 0G7693 | Drehgriff Kpl.                                 | Handle complete kit                         | f g h i j l |                      |
|    | 82.6638.01    | 0G8620 | Drehgriff Kpl.                                 | Handle complete kit                         | colored M2M |                      |
| 8  | 82.1027.60    | *      | Bedienblende Multibraiser 2/1 GN               | Control panel Multibraiser 2/1GN            | f g i j l   |                      |
|    | 82.1049.60    | *      | Bedienblende INOX Multibraiser 2/1 GN          | Control panel INOX Multibraiser 2/1GN       | h           |                      |
|    | 72.5938.04    | OKI362 | Anzeigelampe grün                              | Indicator light, green                      | h           |                      |
|    | 72.5938.08    | OKI364 | Einsteckfassung grün/gelb Ø10mm                | Lamp holder, green/yellow, Ø10mm            | h           |                      |
|    | 72.5938.03    | OKI361 | Anzeigelampe klar                              | Indicator light, transparent                | h           |                      |
|    | 72.5938.07    | OKI363 | Einsteckfassung klar Ø10mm                     | Lamp holder, transparent, Ø10mm             | h           |                      |
| 9  | 75.5000.05    | 0G4212 | Distanzhalter Kunststoff                       | Plastic spacer support                      | f g h i j l |                      |
| 10 | 82.7014.KD    | 0G6221 | Mainboard SPARTA                               | Mainboard SPARTA                            | f g h i j l |                      |
| 11 | 82.7023       | 058613 | Klemme KV122                                   | Cable terminal KV122                        | f g h i j l |                      |
| 12 | 712 044961.17 | OKT854 | Kabeltülle Ø25/Ø31/Ø35                         | Cable sleeve Ø25/Ø31/Ø35                    | f g h i j l |                      |
| 13 | 712 344362.01 | 0G5814 | Sicherung 5x20 1AF                             | Fuse 5x20 1AF                               | f g h i j l |                      |
|    | 82.9171       | OTTR73 | Sicherung 6.3x32 0.63A 500V                    | Fuse 6.3x32 0.63A 500V                      | l           |                      |
| 14 | 82.7093       | 056582 | Halter Sicherung                               | Fuse holder                                 | f g h i j   |                      |
|    | 87.9204       | OCB130 | Sicherungshalter 6.3X32 500V                   | Fuse holder 6.3X32 500V                     | l           |                      |
| 15 | 1 701 2579    | 0G4020 | Sechskantschraube M5x16                        | Hex bolt M5x16                              | f g h i j l |                      |
|    | 1 701 7002    | 0G2923 | Fächerscheibe M5                               | Fan washer M5                               | f g h i j l |                      |
|    | 712 044120.05 | 0G3998 | Kepsmutter M5                                  | Hex nut M5                                  | f g h i j l |                      |
| 16 | 82.3001       | *      | Standardventilationsbox links                  | Ventilation box left                        | f g h i j l |                      |
| 17 | 82.7550.01    | 0G7868 | Rohrstutzen gerade                             | Pipe socket straight                        | f g h i j l |                      |
| 18 | 1 201 2105    | 0G6754 | Schlauchschelle 60-115mm                       | Hose clamp 60-115mm                         | f g h i j l |                      |
| 19 | 83.9010       | 0G6701 | Alu-Flexschlauch Ø60/66                        | Flexible aluminium hose Ø60/66              | f g h i j l |                      |
| 20 | 1 101 8170    | 0G3250 | Innensechskantschraube M4x8                    | Allen bolt M4x8                             | f g h i j l |                      |
| 21 | 1 701 1083    | 0G5755 | Zylinderschraube M3x30                         | Socket cap screw M3x30                      | f g h i j l |                      |
|    | 1 701 3540    | 2KI478 | Unterlegscheibe M3                             | Washer M3                                   | f g h i j l |                      |
| 22 | 82.0133       | 0G6755 | Verstärkungrohr Ventilator                     | Cooling fan support                         | f g h i j l |                      |
| 23 | 82.7159       | 0G6274 | Ventilator 60x60x25 622HH (3.5W)               | Cooling fan 60x60x25 622HH (3.5W)           | f g h i j l |                      |
| 24 | 82.9103       | 0G6424 | Kabel Haupterd draht L400 6mm²                 | Main earthing cable L400 6mm²               | f g h i j l |                      |
| 25 | 82.9209       | 006710 | Autotransformator 0-240-400-440V 150VA         | Autotransformer 0-240-400-440V 150VA        | l           |                      |
| 26 | 82.7093       | 056582 | Sicherungshalter                               | Fuse holder                                 | l           |                      |
| 27 | 712 344362.01 | 0G5814 | Sicherung 5x20 1A                              | Fuse 5x20 1A                                | l           |                      |
| 28 | 82.2908       | 0C0068 | Kabelverschraubung PG21                        | Cable gland PG21                            | all types   |                      |
| 29 | 82.9226       | 0G7024 | Gegenmutter Kabelverschraubung PG21            | Lock nut PG21                               | all types   |                      |
|    | 82.9023       | 0G6961 | Kabel: Sparta-Display L500                     | Cable: Sparta-Display L500                  | D800/900    |                      |
|    | 82.9002       | 0G6897 | Kabel: Display-Display (Länge 290mm)           | Cable: Display-Display (Länge 290mm)        | D800/900    |                      |
|    | 82.9003       | 0G6899 | Kabel: Poti-Display L200                       | Cable: Poti-Display L200                    | D800/900    |                      |
|    | 82.9044.01    | 0G6965 | Kabel: Sparta-Poti L=500                       | Cable: Sparta-Poti L=500                    | D850        |                      |
|    | 82.9025       | 0G7018 | Kabel: XI-Sicherung-Schalter                   | Cable: XI-Fuse-Switch                       | all types   |                      |
|    | 82.9058       | 0G7019 | Kabel: Sparta-N-Schalter-P                     | Cable: Sparta-N-Switch-P                    | all types   |                      |
|    | 82.9022.01    | 0G7036 | Kabel: Schalter S1-Schalter S2 kurz            | Cable: Switch S1-Switch S2 kurz             | all types   |                      |
|    | 82.9009       | 0G6906 | Kabel: Sparta-Ventilator (Länge 2000mm)        | Cable: Sparta-Ventilator (Länge 2000mm)     | all types   |                      |
|    | 82.9036       | 0G7037 | Kabel: XI-Schütz-Sparta                        | Cable: XI-Schütz-Sparta                     | all types   |                      |
|    | 82.9031       | 0G7020 | Kabel: XI-F2-Sparta-Heizungen                  | Cable: XI-F2-Sparta-Heizungen               | all types   |                      |
|    | 82.9032       | 0G7038 | Kabel: XI-F3-K2-Heizungen                      | Cable: XI-F3-K2-Heizungen                   | all types   |                      |
|    | 82.9038.01    | 0G7182 | Kabel: Anzeigelampen S1-H1-X1.N                | Cable: Indicators S1-H1-X1.N                | D850        |                      |
|    | 82.9038.02    | 0G7183 | Kabel: Anzeigelampen S2-H2-X1.N                | Cable: Indicators S2-H2-X1.N                | D850        |                      |
|    | 82.9057       | 0G7021 | Kabel: Anzeigelampe-Relais L450                | Cable: Indicator-Relais L450                | D850        |                      |
|    | 82.9049.02    | 0G6967 | Kabel: Anzeigelampen L400                      | Cable: Indicators L400                      | D850        |                      |
|    | 82.9035.02    | 0G7307 | Kabel: X0-X1 Hauptzuleitung                    | Cable: X0-X1 Hauptzuleitung                 | all types   |                      |
|    | 82.9246       |        | Kabelbaum: Multibraiser 2Z Marine              | Wiring: Multibraiser 2Z Marine              | Marine      |                      |

\* Components on demand  
\* Teile auf Anfrage

Doc. № 599A2AK00 / 82.8060.03

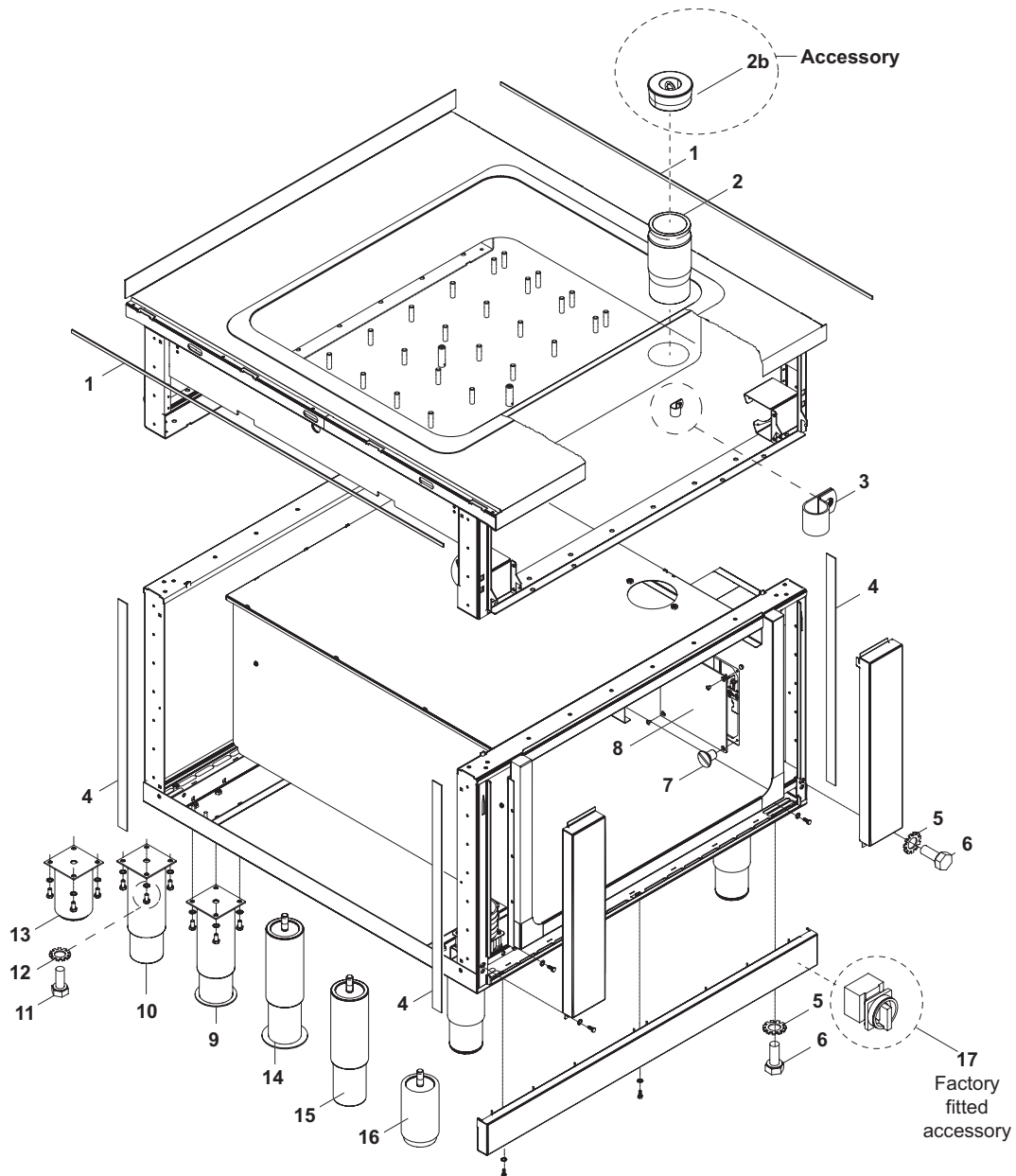
Page: 7





| 4  | Alias      | Code   | Bezeichnung                     | Description                          | Ref.        | Valid from Serial N° |
|----|------------|--------|---------------------------------|--------------------------------------|-------------|----------------------|
| 1  | 86.7004.01 | OG4604 | Heizelement 230V - 1.7kW        | Heating element 230V - 1.7kW         | f g h i j l |                      |
| 2  | 86.7005.01 | OG4606 | Heizelement 230V - 1.7kW (kurz) | Heating element 230V - 1.7kW (short) | f g h i j l |                      |
| 3  | 82.7263    | OG6756 | Isolation Heizelement           | Heating element insulation           | f g h i j l |                      |
| 4  | 82.2462    | *      | STB Halter                      | Capillary probe holder               | f g h i j l |                      |
| 5  | 82.2244    | *      | Abdeckung Isolation             | Insulation cover                     | f g h i j l |                      |
| 6  | 1 115 1772 | OG4896 | Distanzhalter M8x25             | Hexagon head spacer M8x25            | f g h i j l |                      |
| 7  | 82.7214    | *      | Ablaufstutzen                   | Drain pipe                           | f g h i j l |                      |
| 8  | 62.4202    | *      | Rohr Ablauf - Bratherd          | Drain flange                         | f g h i j l |                      |
| 9  | 879045     | OG5935 | TC Boden Sensor blau            | TC bottom sensor, blue               | f g h i j l |                      |
| 10 | 879046     | OG5934 | TC Boden Sensor grün            | TC bottom sensor, green              | f g h i j l |                      |
|    |            |        |                                 |                                      |             |                      |
|    |            |        |                                 |                                      |             |                      |
|    |            |        |                                 |                                      |             |                      |
|    |            |        |                                 |                                      |             |                      |
|    |            |        |                                 |                                      |             |                      |
|    |            |        |                                 |                                      |             |                      |
|    |            |        |                                 |                                      |             |                      |
|    |            |        |                                 |                                      |             |                      |
|    |            |        |                                 |                                      |             |                      |





| 5  | Alias       | Code   | Bezeichnung                              | Description                               | Ref.        | Valid from Serial N° |
|----|-------------|--------|--|---|-------------|----------------------|
| 1  | 82.7464     | 0C2496 | Dichtband (Schaumstoff-Silikon, klebend) | Sealing strip                             | f g h i j l |                      |
| 2  | 72.5361     | 0G2860 | Stöpsel Bratherd                         | Plastic stopper Multibraiser              | f g h i j l |                      |
| 2b | 913681      | 0G8361 | Stöpsel Bratherd (Zubehör)               | Drain stopper (accessory)                 | f g h i j l | 8101...              |
| 3  | 1 115 1635  | 0T1791 | Abschirmschelle K-8104 für Kabel Ø 11,1  | Screening bracket K-8104 for cable Ø 11,1 | f g h i j l |                      |
| 4  | 82.7467     | 0C7307 | Dichtung Geräte seitwärts (NM)           | Side-sealing strip                        | f g h i j l |                      |
| 5  | 1 701 7002  | 0G2923 | Fächerscheibe M5                         | Fan washer M5                             | f g h i j l |                      |
| 6  | 1 701 2507  | 0G4653 | Sechskantschraube M5x16                  | Hex bolt M5x16                            | f g h i j l |                      |
| 7  | 1 1701 1145 | 0G6758 | Senkkopfschraube M4x6                    | Countersunk screw M4x6                    | f g h i j l |                      |
| 8  | 82.0223.01  | 0G6757 | Deckel Servicefenster                    | Cover plate                               | f g h i j l |                      |
| 9  | 83.3728     | 0G6886 | Stellfuß 2" Marine 145-252mm             | Adjustable feet 2" Marine 145-252mm       | l           |                      |
| 10 | 86.0001     | 0G5391 | Stellfuß 2" 145-252mm rund               | Adjustable feet 2" 145-252mm, round       | f h i       |                      |
| 11 | 1 701 2600  | 0KT919 | Sechskantschraube M6x12                  | Hex bolt M6x12                            | f g h i j l |                      |
| 12 | 1 701 5051  | 0G6753 | Fächerscheibe M6                         | Fan washer M6                             | f g h i j l |                      |
| 13 | 86.2385     | 0G6140 | Stellfuß 2" 100mm                        | Adjustable feet 2" 100mm                  | g j         |                      |
| 14 | 82.0350.03  |        | Stellfuss M10 200mm Marine               | Foot M10 200mm Marine                     | k           | 7141...              |
| 15 | 82.0350.01  | 0G7958 | Stellfuss M10 200mm                      | Foot M10 200mm                            | a c d       | 7141...              |
| 16 | 82.0350.02  | 0G7957 | Stellfuss M10 100mm                      | Foot M10 100mm                            | b e         | 7141...              |
| 17 | 76.9164.01  | 0G2137 | Hauptschalter 25A                        | Main switch 25A                           | H800        | 8041...              |

\* Components on demand  
\* Teile auf Anfrage