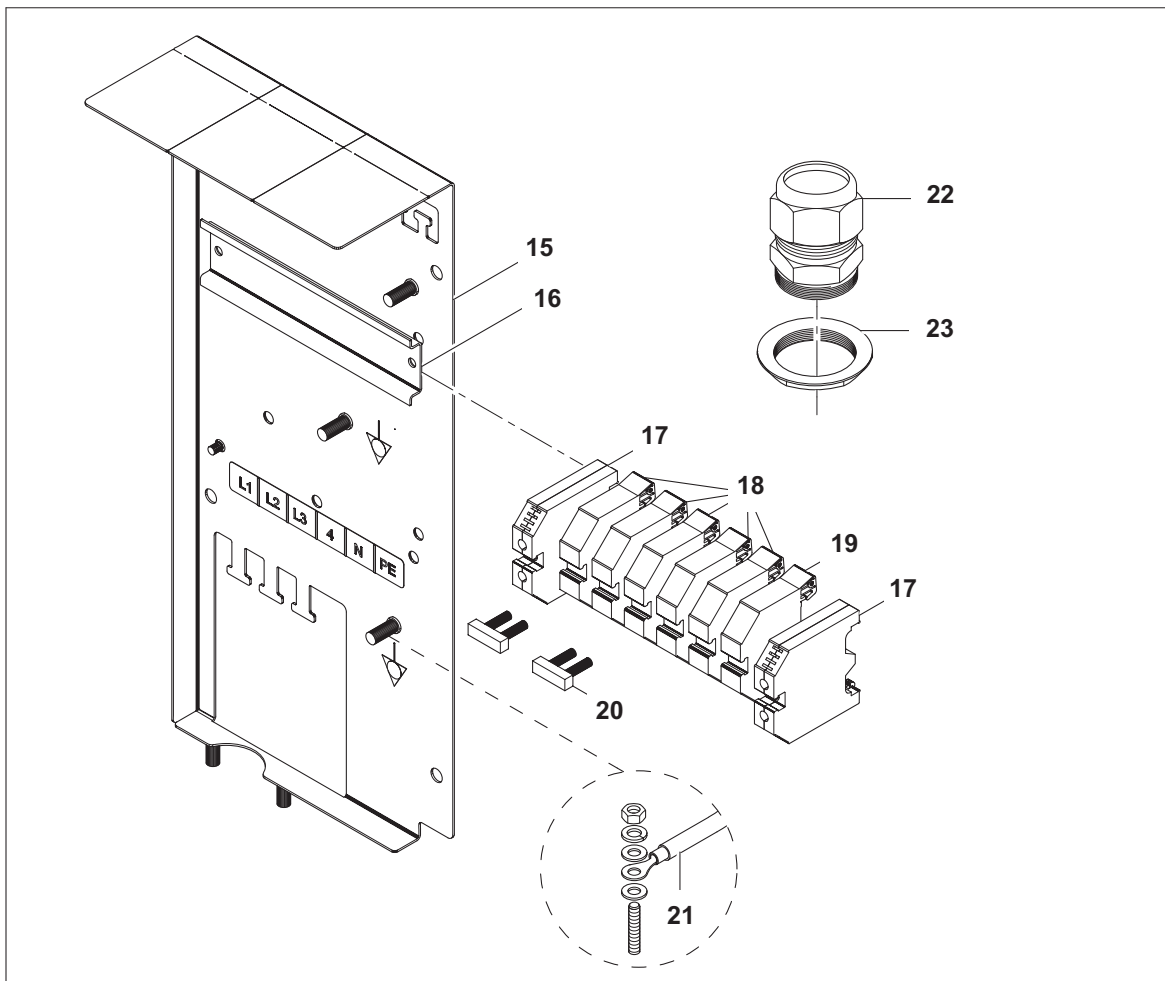
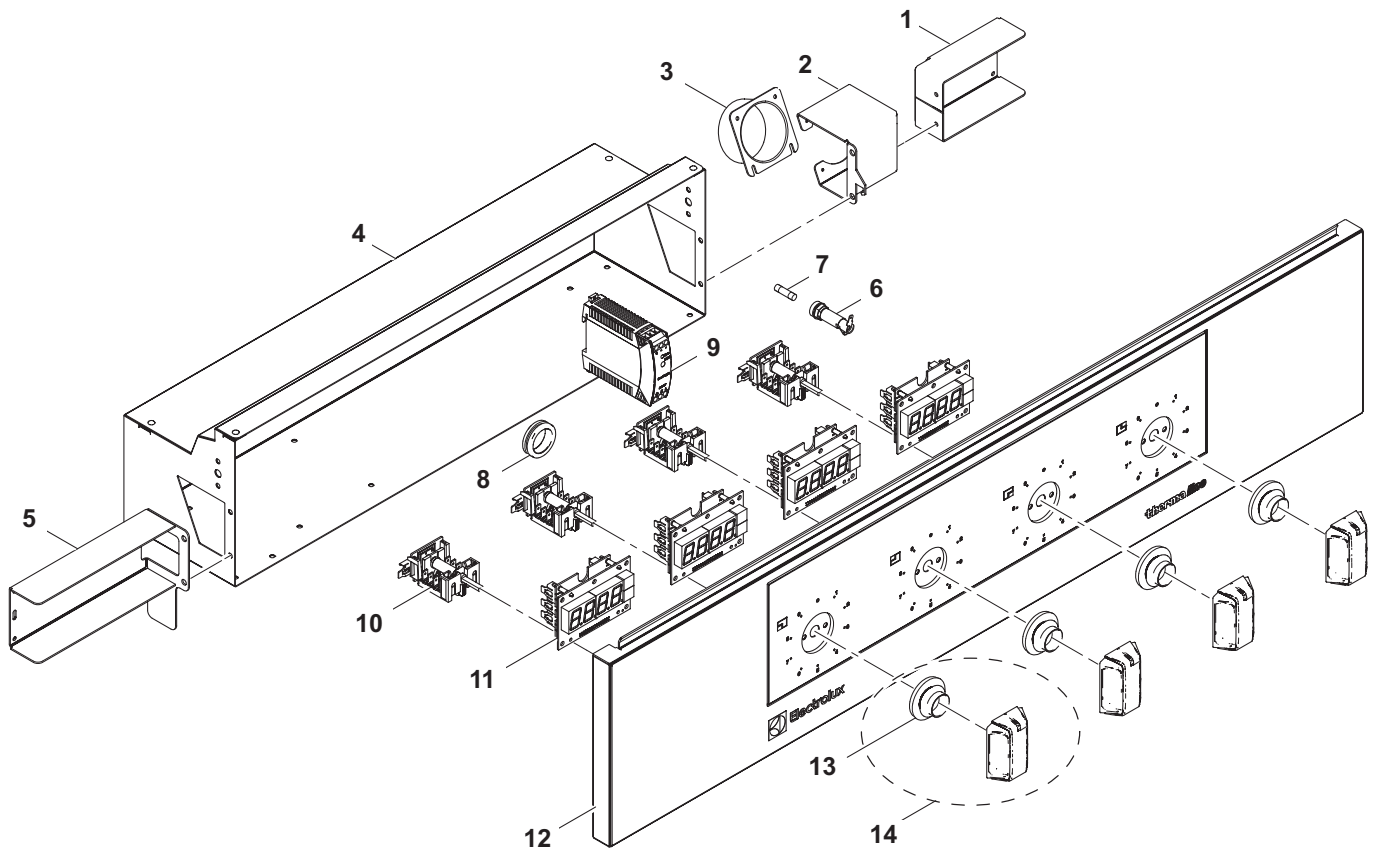


DE VOLLFLÄCHENINDUKTION AUF WÄRMESCHRANK
EN FULL SURFACE INDUCTION ON WARMING CABINET

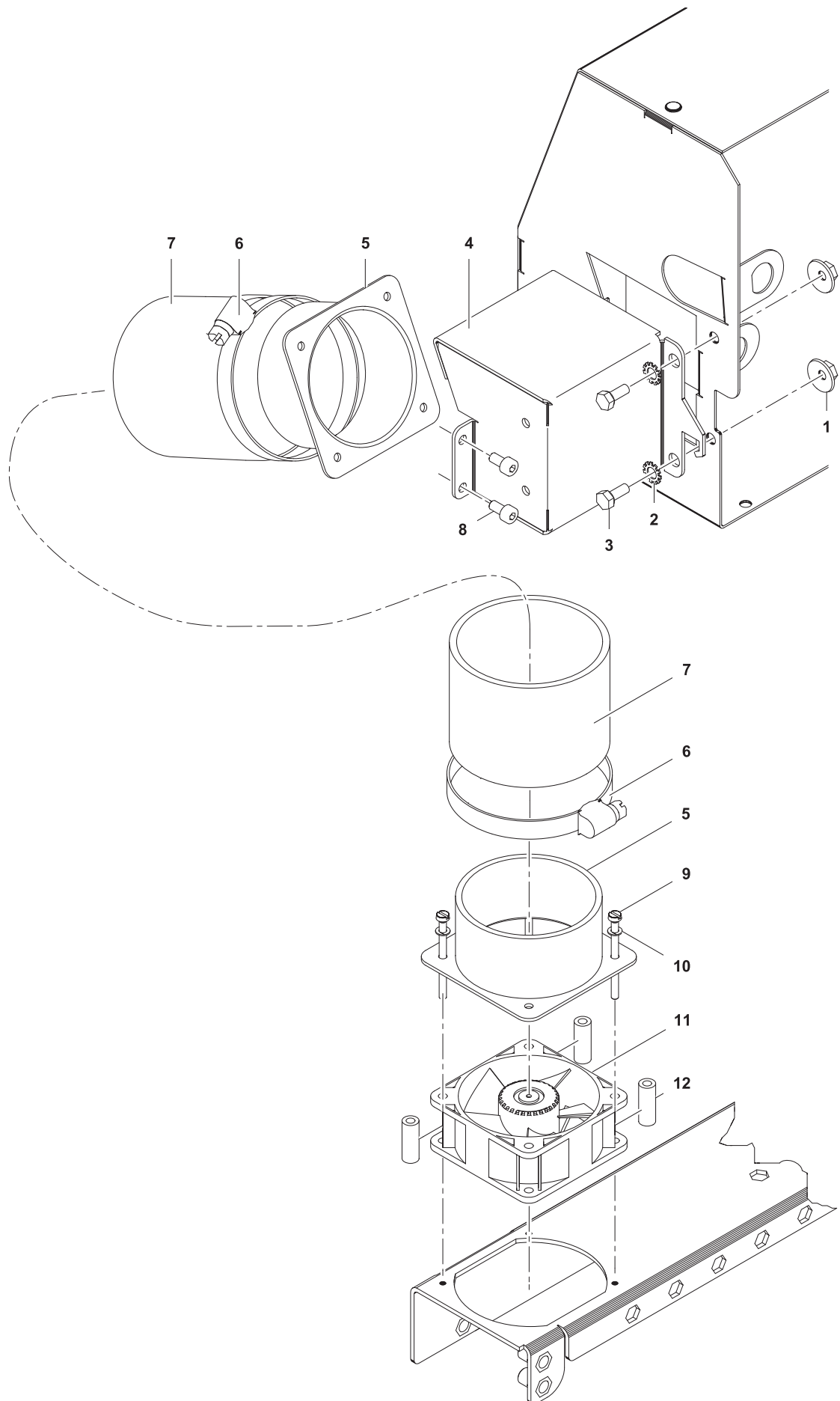
PNC	Factory Model	Ref.	Description
588518	MBJDGBJ4AO	a	FULL INDUCTION ON WARMING CABINET, H2, 1-SIDE, C-BOARD, 1000X850X700H
588661	MBJJGBJ4AO	b	FULL INDUCTION ON WARMING CABINET, NHC, 1-SIDE, C-BOARD, 1000X850X700H
589053	MCJDEAJ4AO	c	FULL INDUCTION ON WARMING CABINET, H2, 1-SIDE, 1000X900X700H
589056	MCJDEBJ4AO	c	FULL INDUCTION ON WARMING CABINET, H2, 1-SIDE, C-BOARD, 1000X900X700H
589059	MCJDECJ4AO	d	FULL INDUCTION ON WARMING CABINET, H2, 2-SIDES, 1000X900X700H
589364	MCJDFAJ4AO	e	FULL INDUCTION ON WARMING CABINET, H2, 1-SIDE, 1000X900X800H
589367	MCJDFBJ4AO	e	FULL INDUCTION ON WARMING CABINET, H2, 1-SIDE, C-BOARD, 1000X900X800H
589370	MCJDFCJ4AO	f	FULL INDUCTION ON WARMING CABINET, H2, 2-SIDES, 1000X900X800H

Page	Index	Last Updates	Page	Pos.
2	Electronical parts (FME)	12/2015	all	
4	Aeration kit (FML)	11/2016	7/9	
6	Mechanical parts (FMM)	05/2018	7	25
8	Generator cabinet	12/2018	3 / 12	14 / 7
10	Warming cabinet			
12	Control Panel warming cabinet			

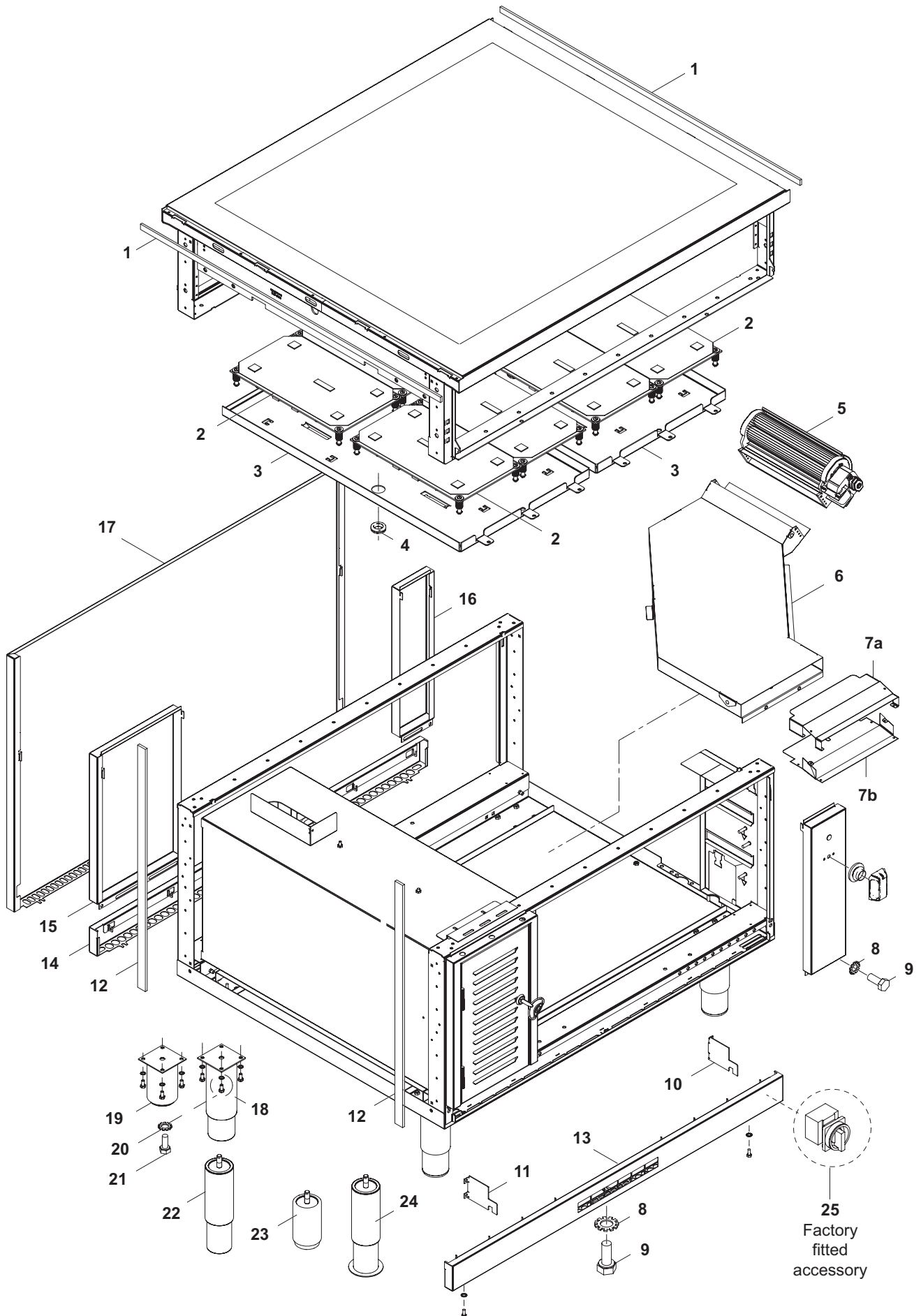
Valid from Ser. № 3101....



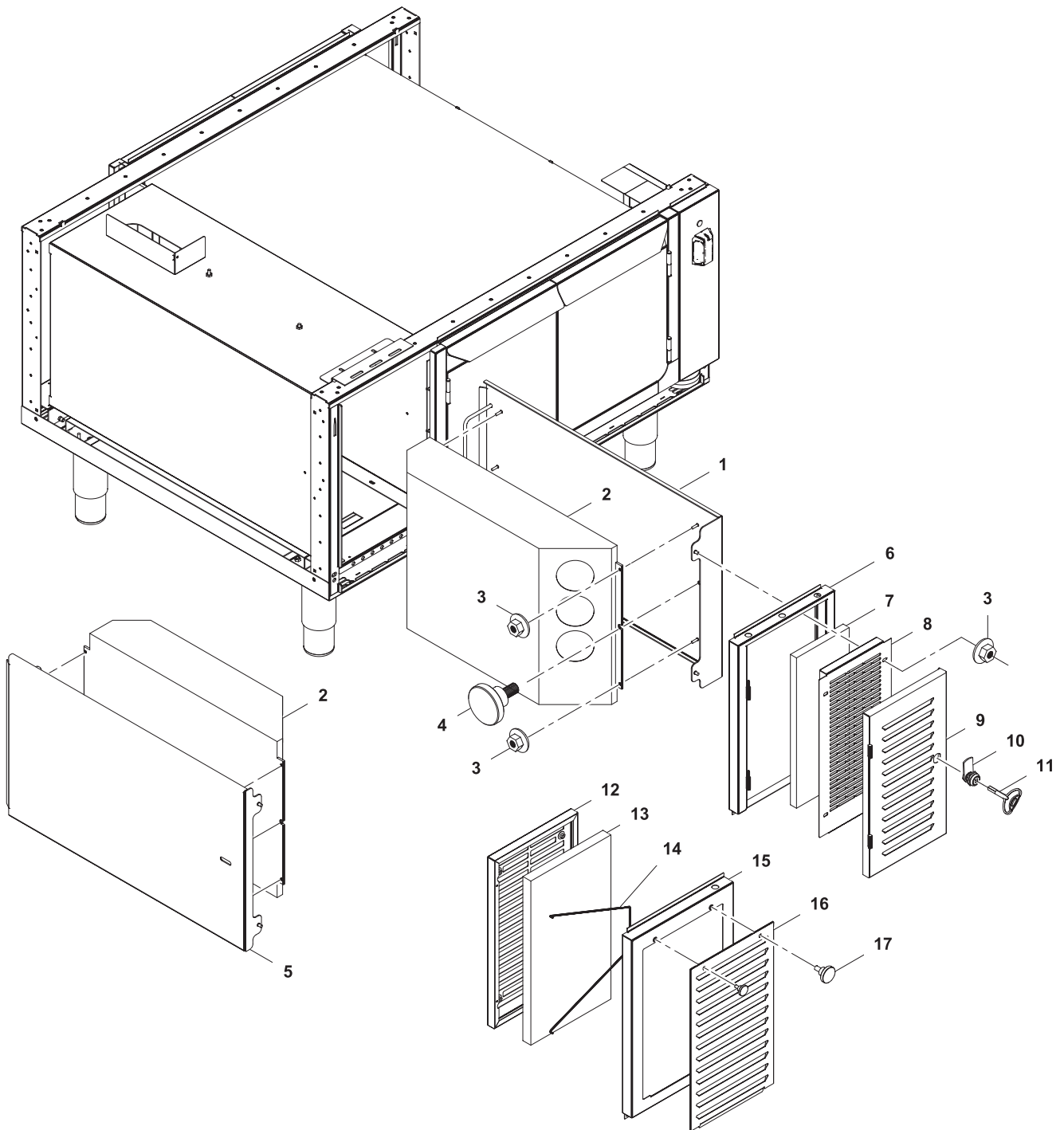
1	Alias	Code	Bezeichnung	Description	Ref.	Valid from Serial N°
1	82.3004.01	0G7448	Halterung Ventilationsbox L100	Support for ventilation box L100	D900	
2	82.3001	*	Standard Ventilationsbox links	Ventilation box left	all types	
	82.3002	0G6897	Standard Ventilationsbox rechts	Ventilation box right	D900	
3	82.7550.01	0G7868	Rohrstutzen gerade	Pipe socket straight	D900	
4	82.3054	*	Elektrobox 800+	Electronical compartment 800+	all types	
5	82.3008.02	*	Halterung Ventilationsbox L200	Support for ventilation box L200	all types	
	82.3008.12	*	Halterung Ventilationsbox L200 gegengleich	Support for ventilation box L200 mirrored	all 1-side	
6	82.7093	056582	Sicherungshalter	Fuse holder	D900	
7	712 344362.01	0G5814	Sicherung 5x20 1A	Fuse 5x20 1A	D900	
8	712 044961.17	OKT854	Kabeltülle Ø25/Ø31/Ø35x10	Cable: sleeve Ø25/Ø31/Ø35x10	all types	
9	82.9030	0G6075	DC Power Supply 12VDC	DC Power Supply 12VDC	D900	
10	82.9020	0G6314	Schalter Off-9 Stufen + 2x10K Potentiometer	Switch off-9 levels + 2x10K potentiometer	D900	
	82.9013	0G624	Schalter Off-9 Stufen + 10K Potentiometer	Switch off-9 levels + 10K potentiometer	D850	
11	82.9115.01	0G6302	Eurotas Display Induktion	Eurotas Display Induction	D900	
	72.5938.01	OKX184	Anzeigelampe	Indicator light	D850	
	72.5938.08	OKI364	Einsteckfassung grün/gelb Ø10mm	Lamp holder, green/yellow, Ø10mm	D850	
12	82.1027.25	*	Bedienblende Induktion 1000 1-seitig	Control panel Induction 1000 1-side	D900 / 1-side	
	82.1027.20	*	Bedienblende Induktion 1000 2-seitig	Control panel Induction 1000 2-sides	D900 / 2-sides	
	82.1049.25	*	Bedienblende INOX Induktion 1000	Control panel INOX Induction 1000	D850	
13	82.7009	0G6247	Dichtung Drehgriff	Sealing for handle	all types	
14	82.6637.01	0G7693	Drehgriff Kpl.	Handle complete kit	all types	
15	82.3051	0G7430	Main terminal	Main terminal	all types	
16	82.3052	*	Klemmenträger	Terminal support	all types	
17	75.2011.03	OKX29	Schutzleiterklemme 16mm²	Ground conductor terminal 16mm²	all types	
18	75.2010.40	OKI280	Reihenleiste 16mm² grau	Terminal block 16mm² grey	all types	
19	75.2010.41	0G3488	Nullleiterklemme 16mm² blau	Neutral wire terminal 16mm² blue	all types	
20	75.2010.44	OKT731	Querverbinder	Cross connection	all types	
21	82.9103	0G6424	Kabel Haupterdraht L400 6mm²	Main earthing cable L400 6mm²	all types	
22	82.2908	0C0068	Kabelverschraubung PG21	Cable gland PG21	all types	
23	82.9226	0G7024	Gegenmutter Kabelverschraubung PG21	Lock nut PG21	all types	
	82.9002	0G6897	Kabel: Display - Display	Cable: Display - Display	D900	
	82.9003	0G6899	Kabel: Potentiometer - Display L200	Cable: Potentiometer - Display L200	D900	
	82.9011	0G7365	Kabel: Trafo - Display - Ventilator	Cable: Trafo - Display - Ventilator	D900	
	82.9241	0G7420	Kabel: Display - Ventilator	Cable: Display - Ventilator	D900	5361...
	82.9116	0G7366	Kabel: Trafo T1 - Trafo T2	Cable: Trafo T1 - Trafo T2	2-Sides	
	82.9022.01	0G7036	Kabel: Schalter S1 - Schalter S2 kurz	Cable: Switch S1 - Switch S2 short	D900	
	82.9022.02	0G7367	Kabel: Schalter S2 - Schalter S3 kurz	Cable: Switch S2 - Switch S3 short	D900 / 1-side	
	82.9022.03	0G7195	Kabel: Schalter S2/3 - Schalter S4 kurz	Cable: Switch S2/3 - Switch S4 short	D900	
	82.9022.05	0G7368	Kabel: Schalter S2 - Schalter S3 lang	Cable: Switch S2 - Switch S3 long	2-Sides	
	82.9012.02	0G6667	Kabel: 2x Poti - Generator GFI L2500	Cable: 2x Poti - Generator GFI L2500	all types	
	82.9059.01	0G7369	Kabel: X0 - FI - Schalter - Trafo 1	Cable: X0 - FI - Switch - Trafo 1	D900	
	82.9064.02	0G7370	Kabel: 2x Anzeigel. - Generator GFI L2500	Cable: 2x indicator - Generator GFI L2500	D850	
	72.6287.02	OT2450	Kabel: 4x 4.0mm² L2800	Cable: 4x 4.0mm² L2800	all types	
	82.9010.01	0G7371	Kabel: Generator - Spulen L1800	Cable: Generator - Coils L1800	all types	

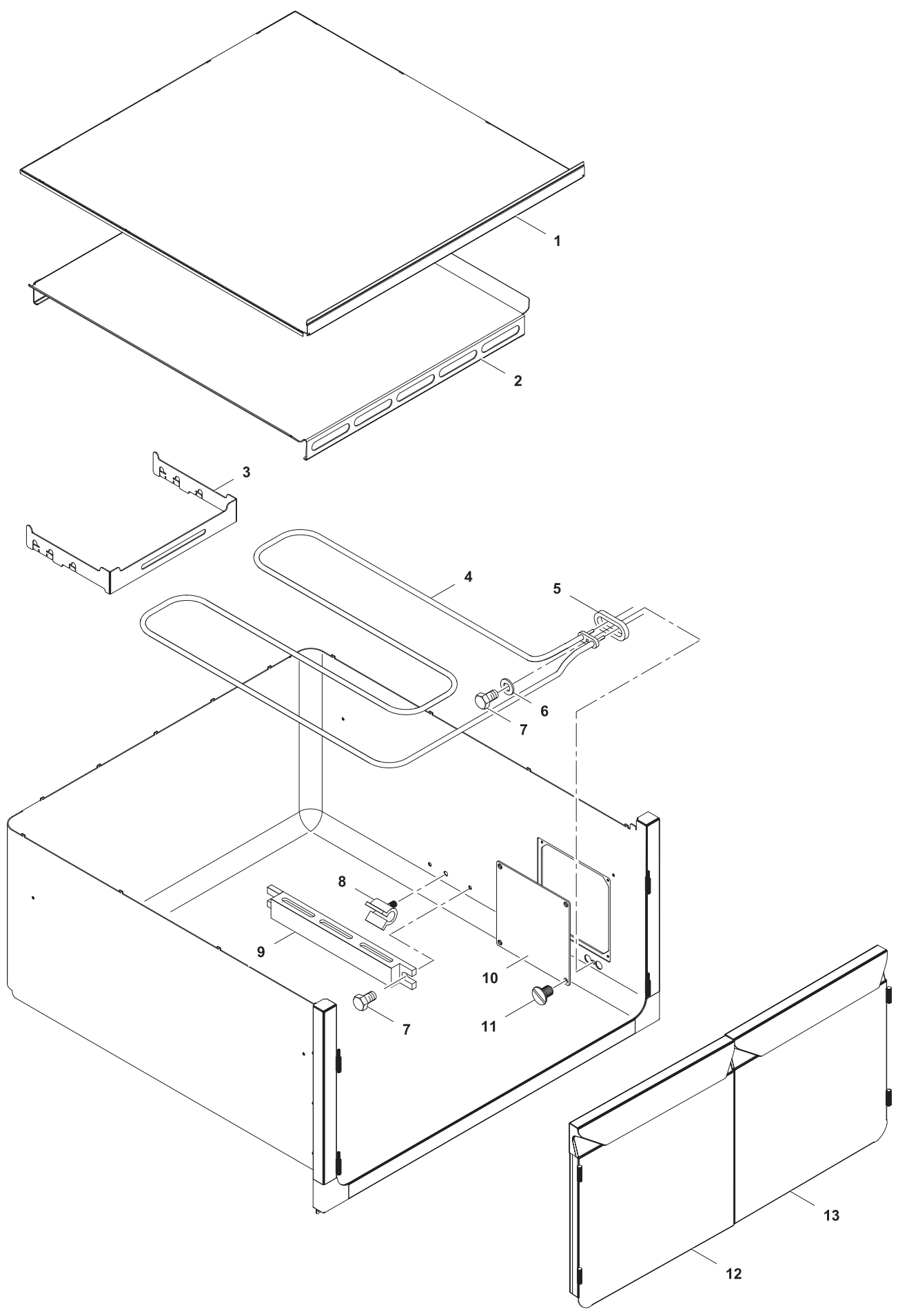


2	Alias	Code	Bezeichnung	Description	Ref.	Valid from Serial N°
1	712 04412005	0G3998	Kepsmutter M5	Hex nut M5	D900	
2	1 701 7002	0G2923	Fächerscheibe M5	Fan washer M5	D900	
3	1 701 2579	0G4020	Sechskantschraube M5x16	Hex bolt M5x16	D900	
4	82.3001	*	Standardventilationsbox links	Ventilation box left	D900	
5	82.7550.01	0G7868	Rohrstutzen gerade	Pipe socket straight	D900	
6	1 201 2105	0G6754	Schlauchschele 60-115mm	Hose clamp 60-115mm	D900	
7	83.9010	0G6701	Alu-Flexschlauch Ø60/66	Flexible aluminium hose Ø60/66	D900	
8	1 101 8170	0G3250	Innensechskantschraube M4x8	Allen bolt M4x8	D900	
9	1 701 1083	0G5755	Zylinderschraube M3x30	Socket cap screw M3x30	D900	
10	1 701 3540	2K1478	Unterlegscheibe M3	Washer M3	D900	
11	82.7159	0G6274	Ventilator 60x60x25 622HH (3.5W)	Cooling fan 60x60x25 622HH (3.5W)	D900	
	82.7537	0G7488	Ventilator 60x60x25 PWM	Cooling fan 60x60x25 PWM	D900	5361...
12	82.0133	0G6755	Verstärkungsrohr Ventilator	Cooling fan support	D900	

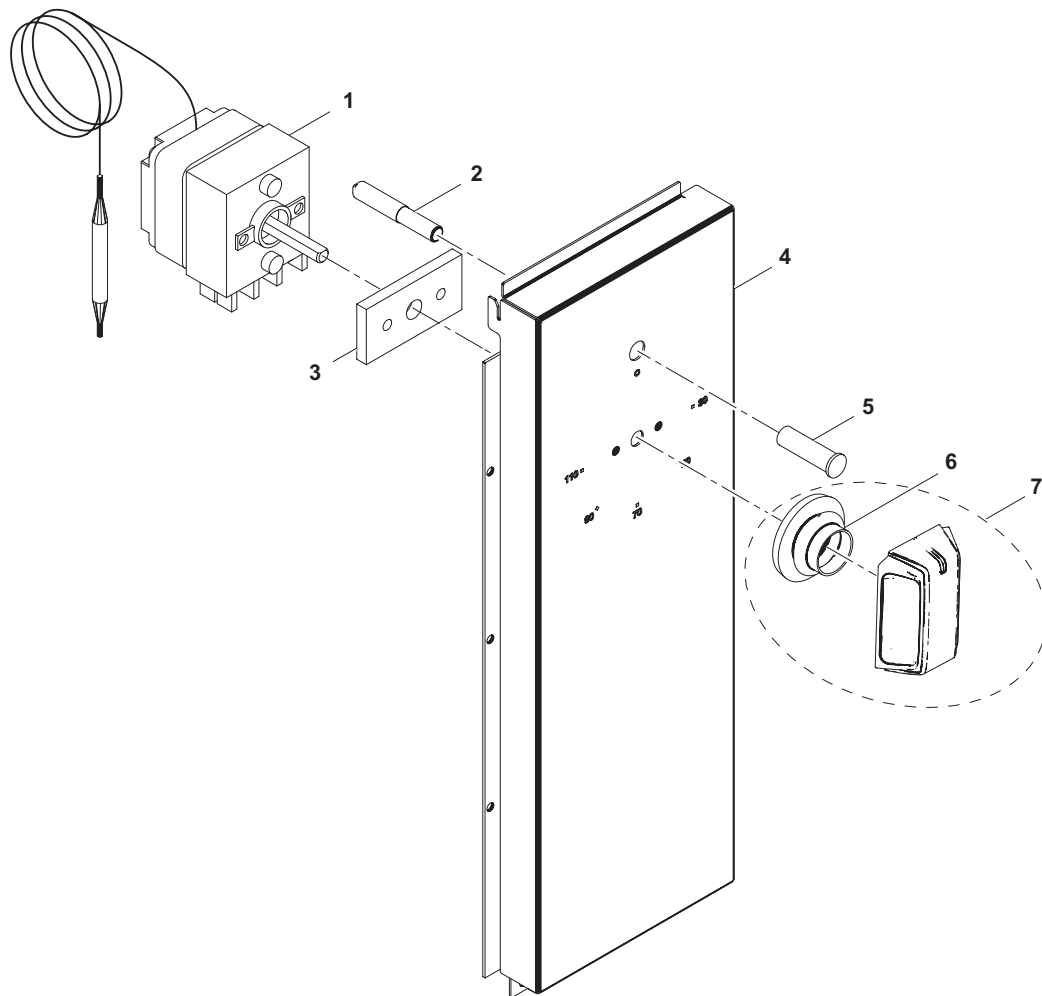


3	Alias	Code	Bezeichnung	Description	Ref.	Valid from Serial N°
1	82.7464	OC2496	Dichtband (Schaumstoff-Silikon, klebend)	Sealing strip	all types	
2	82.7316.01	OG6329	Spule 3.5kW GFI 400V	Coilö 3.5kW GFI 400V	all types	
3	82.2576	OG7372	Spulenträgerblech (2Zonen)	Coil support sheet (2Zones)	all types	
4	712 044961.16	OG7407	Kabeltülle	Kabeltülle	all types	
5	1 115 1416	OK5059	Querstromlüfter	Cross flow blower	all types	
6	82.5202.010	*	Luftkanal 1000x850	Air channel 1000x850	D850	
	82.5203.010	*	Luftkanal 1000x900	Air channel 1000x900	D900	
7a	82.1200.01	*	Kanalverlängerung vorne Teil 1	Channel extension frontside part 1	all types	
7b	82.1201.01	*	Kanalverlängerung vorne Teil 2	Channel extension frontside part 2	all types	
8	1 701 7002	OG2923	Fächerscheibe M5	Fan washer M5	all types	
9	1 701 2579	OG4020	Sechskantschraube M5x16	Hex bolt M5x16	all types	
10	82.0114.02	OG7055	Abgrenzungsblech Frischluft rechts H700	Aeration sheet right H700	H700	
	82.0114.12	OG7056	Abgrenzungsblech Frischluft rechts H800	Aeration sheet right H800	H800	
11	82.0114.01	OG7053	Abgrenzungsblech Frischluft links H700	Aeration sheet left H700	H700	
	82.0114.11	OG7054	Abgrenzungsblech Frischluft links H800	Aeration sheet left H800	H800	
12	82.7467	OC7307	Dichtung 5mm	Sealing sides 5mm	all types	5101...
13	82.1178.10	OG6681	Anschlussdeckel (Lüftung) H66/L1000	Bottom front panel (aeration) H66/L1000	all H700	
	82.1178.30	OG7227	Anschlussdeckel (Lüftung) H166/L1000	Bottom front panel (aeration) H166/L1000	all H800	
14	82.1140.10	OG7901	Anschlussdeckel H66/L1000	Bottom front panel H66/L1000	all H700	
	82.1140.30	OG7792	Anschlussdeckel H166/L1000	Bottom front panel H166/L1000	all H800	
15	82.1041.14	*	Blende rechts 254.5	Panel right 254.5	all 2-Sides	
16	82.1042.13	*	Blende links 105.5mm	Panel left 105.5mm	all 2-Sides	
17	82.1102.09	*	Rückwand 1000x700	Back panel 1000x700	1-Side/H700	
	82.1007.09	*	Rückwand 1000x700 C-Board	Back panel 1000x700 C-Board	1-S/H700/C-board	
	82.1102.29	*	Rückwand 1000x800	Back panel 1000x800	1-Side/H800	
	82.1007.29	*	Rückwand 1000x800 C-Board	Back panel 1000x800 C-Board	1-S/H800/C-board	
18	86.0001	OG5391	Stellfuß 2" 145-252mm rund	Adjustable feet 2" 145-252mm, round	H700	
19	86.2385	OG6140	Stellfuß 2" 100mm	Adjustable feet 2" 100mm	H800	
20	1 701 5051	OG6753	Fächerscheibe M6	Fan washer M6	all types	
21	1 701 2600	OKT919	Sechskantschraube M6x12	Hex bolt M6x12	all types	
22	82.0350.01		Fuss M10 200mm	Foot M10 200mm	H700	7141...
23	82.0350.02		Fuss M10 100mm	Foot M10 100mm	H800	7141...
24	82.0350.03		Fuss M10 200mm Marine	Foot M10 200mm Marine	H700 Marine	7141...
25	76.9164.02	OK4979	Hauptschalter 63A	Main switch 63A	H800	8041...





5	Alias	Code	Bezeichnung	Description	Ref.	Valid from Serial N°
1	82.0032.03	*	Korpusdeckel 1S 640	Corpus cover 1S 640	1-Side	
	82.0084.06	*	Korpusdeckel 2S 640X900	Corpus cover 2S 640X900	2-Sides	
2	82.2326.03	OG7402	Einlegeboden 640 1S	False bottom 640 1S	1-Side	
	82.0195.04	OG7403	Einlegeboden 640 2S 900	False bottom 640 2S 900	2-Sides	
	82.3063.03		Einlegeboden 640x800	False bottom 640x800	1-Side	7021...
	82.3063.04		Einlegeboden 640x900	False bottom 640x900	2-Sides	7021...
3	62.4208	OG7406	Halter Heizung	Heating element support	all types	
4	62.4082	OG2911	Heizung 2000W /400V	Heating element 2000W /400V	all types	
5	72.1120	OK4989	Dichtung 44x20x3	Sealing 44x20x3	all types	
6	1 701 7002	OG2923	Fächerscheibe M5	Fan washer M5	all types	
7	1 701 2579	OG4020	Sechslantschraube M5x16	Hex bolt M5x12	all types	
8	1 201 2020	OG7345	Fühlerbefestigung	Sensor fixation	all types	
9	72.6251	OG7346	Fühlerschutz	Sensor protection	all types	
10	82.0223.01	OG6757	Deckel Servicefenster	Lid service cover	all types	
11	1 701 1145	OG6758	Senkkopfschraube M4x6	Countersunk screw M4x6	all types	
12	82.0255.01	OG7351	Tür, doppelt, 290, links	Door, couple, 290, left	D900/850 H2	
	82.1068.02	OG7349	Tür, doppelt, NHC, 580, links	Door, couple, NHC, 580, left	D850 NHC	
13	82.0255.02	OG7352	Tür, doppelt, 290, rechts	Door, couple, 290, right	D900/850 H2	
	82.1068.01	OG7348	Tür, doppelt, NHC, 580, rechts	Door, couple, NHC, 580, right	D850 NHC	



6	Alias	Code	Bezeichnung	Description	Ref.	Valid from Serial N°
1	712 344039	OK5023	Kapillarrohrregler 30-100	Capillary control 30-100	all types	
2	72.5938.04	OKI362	Anzeigelampe klar	Indicator light, clear	all types	
3	82.2665	OG7229	Zwischenblech	Spacer sheet	all types	
4	82.1043.03	*	Bedienblende warming cabinet, rechts, 105	Control panel warming cabinet, right, 105	all types	
5	72.5938.08	OKI364	Einsteckfassung klar Ø10mm	Lamp holder, clear, Ø10mm	all types	
6	82.7009	OG6247	Dichtung Drehgriff	Sealing for handle	all types	
7	82.6637.02	OG7694	Drehgriff Kpl.	Handle complete kit	all types	
	62.1544.01	OG7399	Kabelbaum: Wärmeschrank komplett	Wiring harness: warming cabinet	all types	
	62.1503.02	OG7162	Verdrahtung 2X0.5X 300	Wiring 2x0.5x300	all types	
	82.9183.02	OG7360	Kabel: WS-Querstromlüfter	Cable: Warming cab.-cross flow blower	all types	