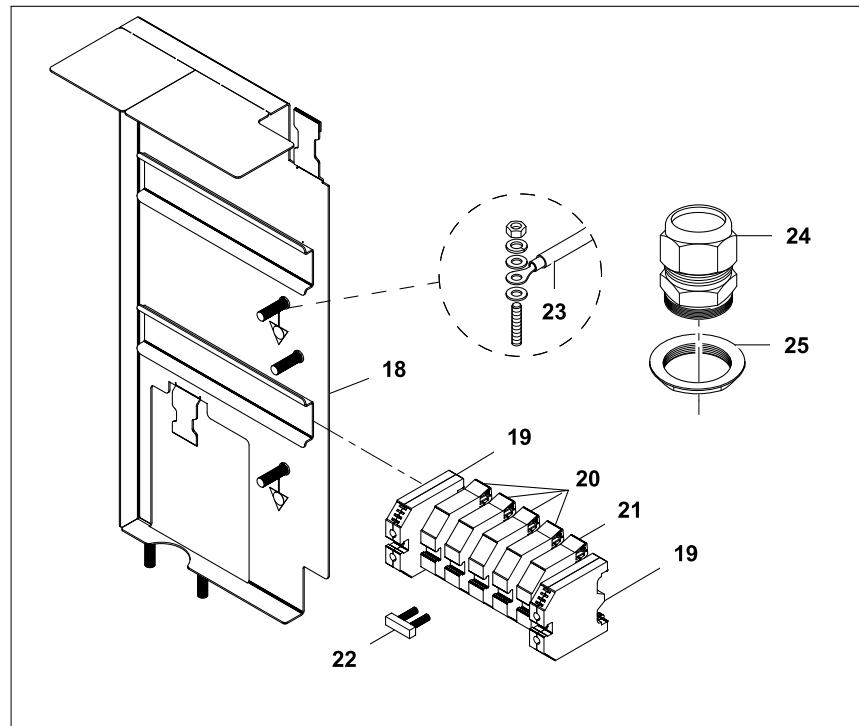
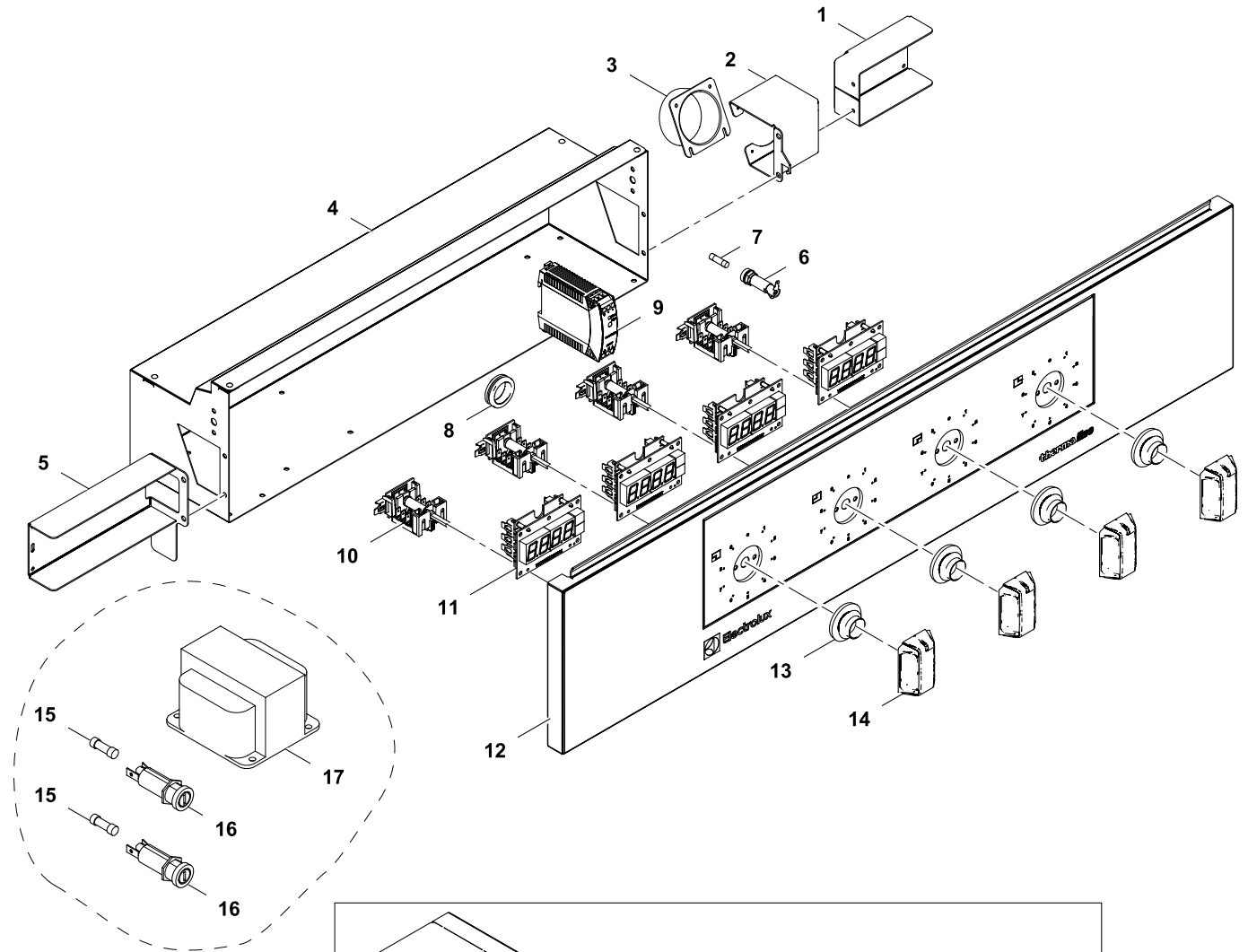


DE VOLLFLÄCHENINDUKTION AUF UNTERBAUSCHRANK
EN FULL SURFACE INDUCTION ON NEUTRAL COMPARTMENT

| PNC | Factory Model | Ref. | Description |
|--------|---------------|------|---|
| 588514 | MBJGBEIAO | a | FULL INDUCTION, OPEN BASE, H2, 2 ZONES, 1-SIDE, C-BOARD, 500X850X700H |
| 588517 | MBJDGBJIAO | b | FULL INDUCTION, OPEN BASE, H2, 4 ZONES, 1-SIDE, C-BOARD, 1000X850X700H |
| 588519 | MBJDGBJ9AO | b | FULL INDUCTION, CUPBOARD, H2, 4 ZONES, 1-SIDE, C-BOARD, 1000X850X700H |
| 588660 | MBJJGBJIAO | c | FULL INDUCTION, OPEN BASE, NHC, 4 ZONES, 1-SIDE, C-BOARD, 1000X850X700H |
| 588662 | MBJJGBJ9AO | c | FULL INDUCTION, CUPBOARD, NHC, 4 ZONES, 1-SIDE, C-BOARD, 1000X850X700H |
| 589043 | MCJBEAEIAO | d | FULL INDUCTION, OPEN BASE, H2, 2 ZONES, 1-SIDE, 500X900X700H |
| 589046 | MCJBEBEIAO | d | FULL INDUCTION, OPEN BASE, H2, 2 ZONES, 1-SIDE, C-BOARD, 500X900X700H |
| 589049 | MCJBECEIAO | e | FULL INDUCTION, OPEN BASE, H2, 2 ZONES, 2-SIDES, 500X900X700H |
| 589052 | MCJDEAJIAO | f | FULL INDUCTION, OPEN BASE, H2, 4 ZONES, 1-SIDE, 1000X900X700H |
| 589054 | MCJDEAJ9AO | f | FULL INDUCTION, CUPBOARD, H2, 4 ZONES, 1-SIDE, 1000X900X700H |
| 589055 | MCJDEBJIAO | f | FULL INDUCTION, OPEN BASE, H2, 4 ZONES, 1-SIDE, C-BOARD, 1000X900X700H |
| 589057 | MCJDEBJ9AO | f | FULL INDUCTION, CUPBOARD, H2, 4 ZONES, 1-SIDE, C-BOARD, 1000X900X700H |
| 589058 | MCJDECJ2AO | g | FULL INDUCTION, OPEN BASE, H2, 4 ZONES, 2-SIDES, 1000X900X700H |
| 589060 | MCJDECJ9AO | g | FULL INDUCTION, CUPBOARD, H2, 4 ZONES, 2-SIDES, 1000X900X700H |
| 589354 | MCJBFAEIAO | h | FULL INDUCTION, OPEN BASE, H2, 2 ZONES, 1-SIDE, 500X900X800H |
| 589357 | MCJBFBEIAO | h | FULL INDUCTION, OPEN BASE, H2, 2 ZONES, 1-SIDE, C-BOARD, 500X900X800H |
| 589360 | MCJBFCEIAO | i | FULL INDUCTION, OPEN BASE, H2, 2 ZONES, 2-SIDES, 500X900X800H |
| 589363 | MCJDFAJIAO | k | FULL INDUCTION, OPEN BASE, H2, 4 ZONES, 1-SIDE, 1000X900X800H |
| 589365 | MCJDFAJ9AO | k | FULL INDUCTION, CUPBOARD, H2, 4 ZONES, 1-SIDE, 1000X900X800H |
| 589366 | MCJDFBJIAO | k | FULL INDUCTION, OPEN BASE, H2, 4 ZONES, 1-SIDE, C-BOARD, 1000X900X800H |
| 589368 | MCJDFBJ9AO | k | FULL INDUCTION, CUPBOARD, H2, 4 ZONES, 1-SIDE, C-BOARD, 1000X900X800H |
| 589369 | MCJDFCJ2AO | m | FULL INDUCTION, OPEN BASE, H2, 4 ZONES, 2-SIDES, 1000X900X800H |
| 589371 | MCJDFCJ9AO | m | FULL INDUCTION, CUPBOARD, H2, 4 ZONES, 2-SIDES, 1000X900X800H |
| 589852 | MCJQAEIDM | n | MARINE* FULL INDUCTION, OPEN BASE, H3, 2 ZONES, 1-SIDE, 500X900X7 |
| 589853 | MCJQECEIDM | o | MARINE* FULL INDUCTION, OPEN BASE, H3, 2 ZONES, 2-SIDES, 500X900X7 |
| 589854 | MCJNEAJIDM | p | MARINE* FULL INDUCTION, OPEN BASE, H3, 4 ZONES, 1-SIDE, 1000X900X7 |
| 589857 | MCJNECJIDM | q | MARINE* FULL INDUCTION, OPEN BASE, H3, 4 ZONES, 2-SIDES, 1000X900X7 |

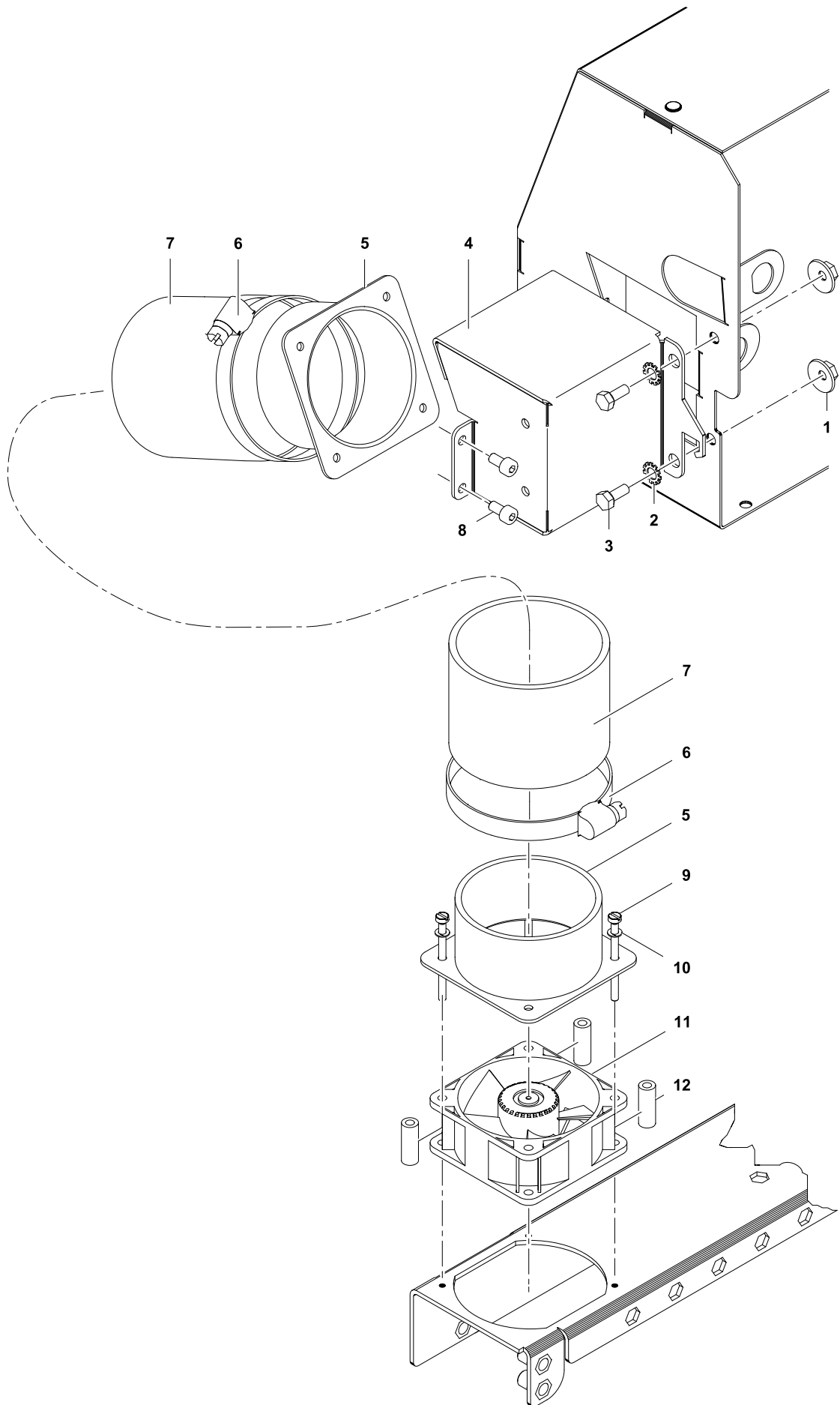
| Page | Index | Last Updates | Page | Pos. |
|------|--------------------------|--------------|------|--------|
| 2 | Electronical parts (FME) | 12/2015 | all | |
| 4 | Aeration kit (FML) | 01/2017 | 8/9 | |
| 6 | Mechanical parts (FMM) | 04/2017 | 7 | |
| 8 | Generator cabinet | 09/2017 | 6, 7 | |
| 10 | Marine accessories | 11/2017 | 3 | 16 |
| | | 11/2017 | 7 | 17, 18 |
| | | 11/2017 | 9 | 18 |

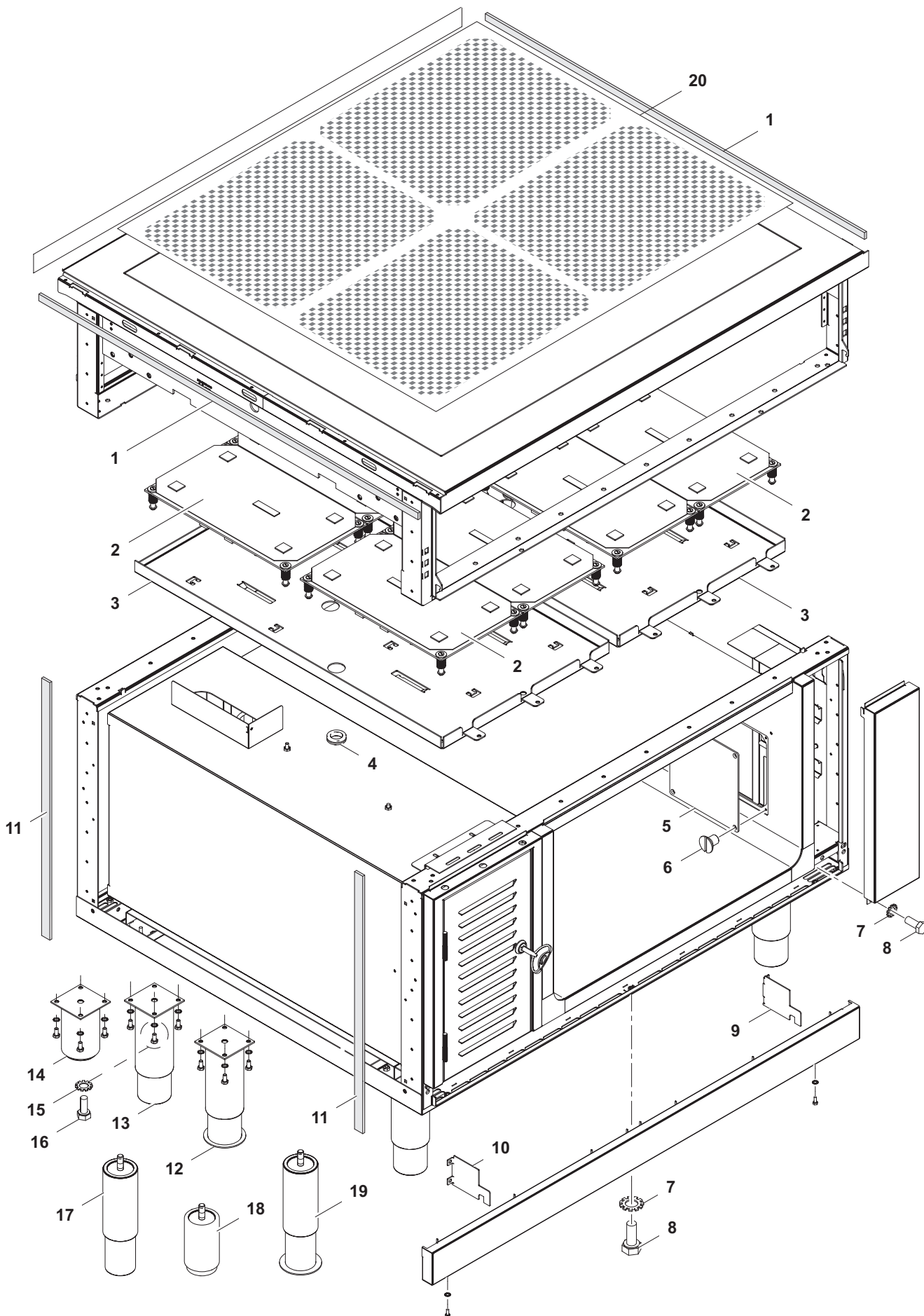
Valid from Ser. N° 3101....



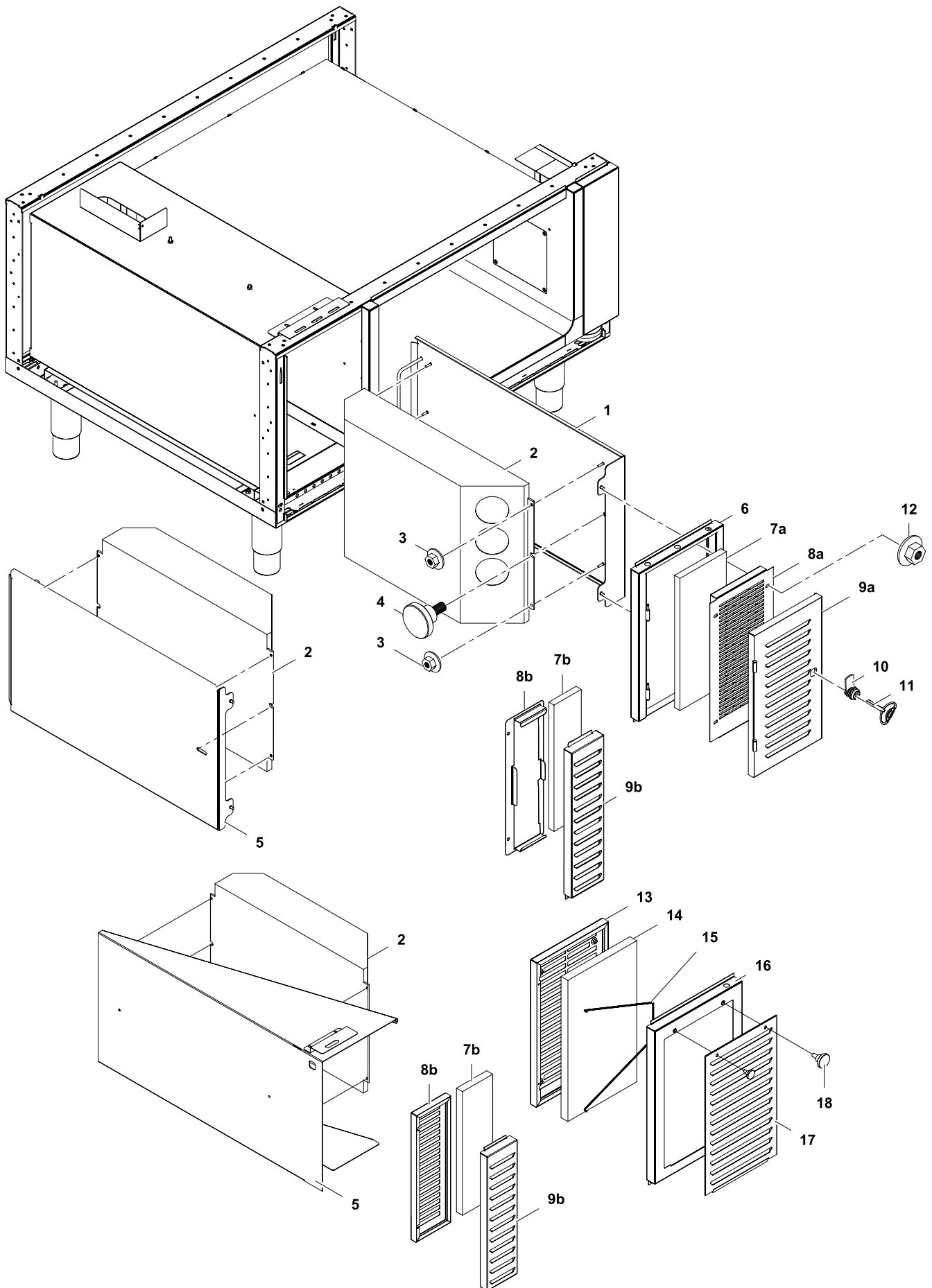
| 1 | Alias | Code | Bezeichnung | Description | Ref. | Valid from Serial N° |
|----|---------------|--------|---|---|-------------------|----------------------|
| 1 | 82.3004.01 | 0G7448 | Halterung Ventilationsbox L100 | Support for ventilation box L100 | D900 | |
| 2 | 82.3001 | * | Standard Ventilationsbox links | Ventilation box left | all types | |
| | 82.3002 | 0G7450 | Standard Ventilationsbox rechts | Ventilation box right | D900 | |
| 3 | 82.7550.01 | 0G7868 | Rohrstutzen gerade | Pipe socket straight | D900 | |
| 4 | 82.3022 | * | Elektrobox 800+ | Electrical compartment 800+ | Standard | |
| | 82.3054 | * | Elektrobox 800+ | Electrical compartment 800+ | Standard | 6101... |
| | 82.3049 | 0G7319 | Elektrobox Marine | Electrical compartment Marine | Marine | |
| 5 | 82.3008.02 | * | Halterung Ventilationsbox L200 | Support for ventilation box L200 | all types | |
| | 82.3008.12 | * | Halterung Ventilationsbox L200 gegengleich | Support for ventilation box L200 mirrored | a b c e g i m o q | |
| 6 | 82.7093 | 056582 | Sicherungshalter | Fuse holder | D900 | |
| 7 | 712 344362.01 | 0G5814 | Sicherung 5x20 1A | Fuse 5x20 1A | D900 | |
| 8 | 712 044961.17 | OKT854 | Kabeltülle Ø25/Ø31/Ø35x10 | Cable: sleeve Ø25/Ø31/Ø35x10 | all types | |
| 9 | 82.9030 | 0G6075 | DC Power Supply 12VDC | DC Power Supply 12VDC | D900 | |
| 10 | 82.9020 | 0G6314 | Schalter Off-9 Stufen + 2x10K Potentiometer | Switch off-9 levels + 2x10K potentiometer | D900 | |
| | 82.9013 | 0G6242 | Schalter Off-9 Stufen + 10K Potentiometer | Switch off-9 levels + 10K potentiometer | D850 | |
| 11 | 82.9115.01 | 0G6302 | Eurotas Display Induktion | Eurotas Display Induction | D900 | |
| | 72.5938.01 | OKX184 | Anzeigelampe | Indicator light | D850 | |
| | 72.5938.08 | OKI364 | Einsteckfassung grün/gelb Ø10mm | Lamp holder, green/yellow, Ø10mm | D850 | |
| 12 | 82.1027.25 | * | Bedienblende Induktion 1000 1-seitig | Control panel Induction 1000 1-side | D900 / 1-side | |
| | 82.1027.20 | * | Bedienblende Induktion 1000 2-seitig | Control panel Induction 1000 2-sides | D900 / 2-sides | |
| | 82.1049.25 | * | Bedienblende INOX Induktion 1000 | Control panel INOX Induction 1000 | D850 | |
| 13 | 82.7009 | 0G6247 | Dichtung Drehgriff | Sealing for handle | all types | |
| 14 | 82.9124.01 | 0G6369 | Drehgriff mit Adapter 0°x6.0 | Handle with adapter 0°x6.0 | all types | |
| 15 | 82.9171 | OTTR73 | Sicherung 6.3x32 0.63A 500V | Fuse 6.3x32 0.63A 500V | Marine | |
| 16 | 87.9204 | OCB130 | Sicherungshalter 6.3x32 500V | Fuse holder 6.3x32 500V | Marine | |
| 17 | 82.9209 | 006710 | Autotransformator 0-240-400-440V-150A | Autotransformer 0-240-400-440V-150A | Marine | |
| 18 | 82.3030.02 | * | Klemmenträger | Terminal support | all types | |
| | 82.3051 | 0G7430 | Klemmenträger | Terminal support | all types | 5421... |
| 19 | 75.2011.03 | OKX29 | Schutzleiterklemme 16mm² | Ground conductor terminal 16mm² | all 4 Zones | |
| 20 | 75.2010.40 | OKI280 | Reihenblockklemme 16mm² grau | Terminal block 16mm² grey | all 4 Zones | |
| 21 | 75.2010.41 | 0G3488 | Nullleiterklemme 16mm² blau | Neutral wire terminal 16mm² blue | all 4 Zones | |
| 22 | 75.2010.44 | OKT731 | Querverbinder | Cross connection | all 4 Zones | |
| 23 | 82.9103 | 0G6424 | Kabel Haupterdraht L400 6mm² | Main earthing cable L400 6mm² | all types | |
| 24 | 82.2908 | OC0068 | Kabelverschraubung PG21 | Cable gland PG21 | all types | |
| 25 | 82.9226 | 0G7024 | Gegenmutter Kabelverschraubung PG21 | Lock nut PG21 | all types | |
| | 82.9002 | 0G6897 | Kabel: Display - Display | Cable: Display - Display | D900 | |
| | 82.9003 | 0G6899 | Kabel: Potentiometer - Display L200 | Cable: Potentiometer - Display L200 | D900 | |
| | 82.9011 | 0G7365 | Kabel: Trafo - Display - Ventilator | Cable: Trafo - Display - Ventilator | D900 | |
| | 82.9241 | 0G7420 | Kabel: Display - Ventilator | Cable: Display - Ventilator | D900 | 5361... |
| | 82.9116 | 0G7366 | Kabel: Trafo T1 - Trafo T2 | Cable: Trafo T1 - Trafo T2 | 2-Sides | |
| | 82.9022.01 | 0G7036 | Kabel: Schalter S1 - Schalter S2 kurz | Cable: Switch S1 - Switch S2 short | D900 | |
| | 82.9022.02 | 0G7367 | Kabel: Schalter S2 - Schalter S3 kurz | Cable: Switch S2 - Switch S3 short | D900 / 1-side | |
| | 82.9022.03 | 0G7195 | Kabel: Schalter S2/3 - Schalter S4 kurz | Cable: Switch S2/3 - Switch S4 short | D900 | |
| | 82.9022.05 | 0G7368 | Kabel: Schalter S2 - Schalter S3 lang | Cable: Switch S2 - Switch S3 long | 2-Sides | |
| | 82.9012.02 | 0G6667 | Kabel: 2x Poti - Generator GFI L2500 | Cable: 2x Poti - Generator GFI L2500 | all types | |
| | 82.9059.01 | 0G7369 | Kabel: X0 - F1 - Schalter - Trafo 1 | Cable: X0 - F1 - Switch - Trafo 1 | D900 | |
| | 82.9059.03 | 0G7376 | Kabel: X0 - F2 - Schalter - Trafo Marine | Cable: X0 - F1 - Switch - Trafo 1 | Marine 1-side | |
| | 82.9064.02 | 0G7370 | Kabel: 2x Anzeigel. - Generator GFI L2500 | Cable: 2x indicato - Generator GFI L2500 | D850 | |
| | 72.6287.02 | OT2450 | Kabel: 4x 4.0mm² L2800 | Cable: 4x 4.0mm² L2800 | all types | |
| | 82.9010.01 | 0G7371 | Kabel: Generator - Spulen L1800 | Cable: Generator - Coils L1800 | all types | |

* Components on demand
* Teile auf Anfrage





| 3 | Alias | Code | Bezeichnung | Description | Ref. | Valid from Serial N° |
|----|---------------|--------|--|-------------------------------------|-----------|----------------------|
| 1 | 82.7464 | 0C2496 | Dichtband (Schaumstoff-Silikon, klebend) | Sealing strip | all types | |
| 2 | 82.7316.01 | 0G6329 | Spule 3.5kW GFI 400V | Coilö 3.5kW GFI 400V | all types | |
| 3 | 82.2576 | 0G7372 | Spulenträgerblech (2 Zonen) | Coil support sheet (2 Zones) | all types | |
| 4 | 712 044961.16 | 0G7407 | Kabeltülle | Kabeltülle | all types | |
| 5 | 82.0223.01 | 0G6757 | Deckel Servicefenster | Cover plate | all types | |
| 6 | 1 701 1145 | 0G6758 | Senkkopfschraube M4x6 | Countersunk screw M4x6 | all types | |
| 7 | 1 701 7002 | 0G2923 | Fächerscheibe M5 | Fan washer M5 | all types | |
| 8 | 1 701 2579 | 0G4020 | Sechskantschraube M5x16 | Hex bolt M5x16 | all types | |
| 9 | 82.0114.02 | 0G7055 | Abgrenzungsblech Frischluft rechts H700 | Aeration sheet right H700 | all H700 | |
| | 82.0114.12 | 0G7056 | Abgrenzungsblech Frischluft rechts H800 | Aeration sheet right H800 | all H800 | |
| 10 | 82.0114.01 | 0G7053 | Abgrenzungsblech Frischluft links H700 | Aeration sheet left H700 | all H700 | |
| | 82.0114.11 | 0G7054 | Abgrenzungsblech Frischluft links H800 | Aeration sheet left H800 | all H800 | |
| 11 | 82.7467 | 0C7307 | Dichtung 5mm | Sealing sides 5mm | H700/800 | 51010000 |
| 12 | 83.3728 | 0G6886 | Stellfuß 2" Marine 145-252mm | Adjustable feet 2" Marine 145-252mm | Marine | |
| 13 | 86.0001 | 0G5391 | Stellfuß 2" 145-252mm rund | Adjustable feet 2" 145-252mm, round | Std. H700 | |
| 14 | 86.2385 | 0G6140 | Stellfuß 2" 100mm | Adjustable feet 2" 100mm | Std. H800 | |
| 15 | 1 701 5051 | 0G6753 | Fächerscheibe M6 | Fan washer M6 | all types | |
| 16 | 1 701 2600 | OKT919 | Sechskantschraube M6x12 | Hex bolt M6x12 | all types | |
| 17 | 82.0350.01 | 0G7958 | Fuss M10 200mm | Foot M10 200mm | H700 | 7141... |
| 18 | 82.0350.02 | 0G7957 | Fuss M10 100mm | Foot M10 100mm | H800 | 7141... |
| 19 | 82.0350.03 | | Fuss M10 200mm Marine | Foot M10 200mm Marine | Marine | 7141... |
| 20 | 82.7011 | 0G6336 | Glaskeramik pl. 840x740 Gfi | Ceran Glass 840x740 Gfi | all types | |



| 4 | Alias | Code | Bezeichnung | Description | Ref. | Valid from Serial N° |
|----|---------------|--------|-------------------------------|---------------------------------------|--------------|----------------------|
| 1 | 82.2765.03 | * | Einschubblech | Slide-in sheet | 4-zones | |
| 2 | 82.7145.01 | 0G6328 | Generator Q+ 4x3.5kW GFI 400V | Generator Q+ 4x3.5kW Full induct 400V | all standard | |
| | 82.7145.03 | | Generator Q+ 4x3.5kW GFI 440V | Generator Q+ 4x3.5kW Full induct 440V | all Marine | |
| 3 | 712 044120.04 | 0G4918 | Keps-Mutter M4 | Keps-nut M4 | all types | |
| 4 | 1 701 2590 | 0G4171 | Rändelschraube | Knurled screw | all types | |
| 5 | 82.2765.01 | * | Einschubblech | Slide-in sheet | 4-zones | |
| | 82.2668 | * | Einschubblech | Slide-in sheet | 2-zones | |
| 6 | 83.3085.04 | * | Blende mit Ausschnitt | Panel | 4-zones | |
| 7a | 82.7272.02 | 0G7408 | Filter | Filter | 4-zones | |
| 7b | 82.7272.04 | 0G7409 | Filter | Filter | 2-zones | |
| | 82.7519 | | Filter | Filter | 2-zones | 5141... |
| 8a | 82.2766.01 | * | Schutzblech | Protection sheet | 4-zones | |
| 8b | 82.2543 | * | Filterhalter | Filter support | 2-zones | |
| 9a | 82.2354 | * | Tür mit Lamellen | Door | 4-zones | |
| 9b | 82.2556 | * | Blende mit Lamellen | Panel | 2-zones | |
| 10 | 83.7029 | 0G7412 | Hebelschloss | Lever lock | 4-zones | |
| 11 | 83.7063 | 0G6260 | Vierkantschlüssel | Square key | 4-zones | |
| 12 | 712 044120.05 | 0G3998 | Keps-Mutter M5 | Keps-nut M5 | all types | |
| 13 | 82.1191.01 | | Filterrahmen | Filter frame | 4-zones | 5141... |
| 14 | 82.7519 | | Filter | Filter | 4-zones | 5141... |
| 15 | 82.7522.02 | | Klemmdraht | Clipping wire | 4-zones | 5141... |
| 16 | 82.1186.01 | | Blende | Frontal Cover | 4-zones | 5141... |
| 17 | 82.1198.01 | | Abdeckblech Blende | Cover plate to frontal cover | 4-zones | 5141... |
| 18 | 1 701 2640 | 0G7983 | Rändelschraube M5x10 | Knurled screw M5x10 | 4-zones | 5141... |

