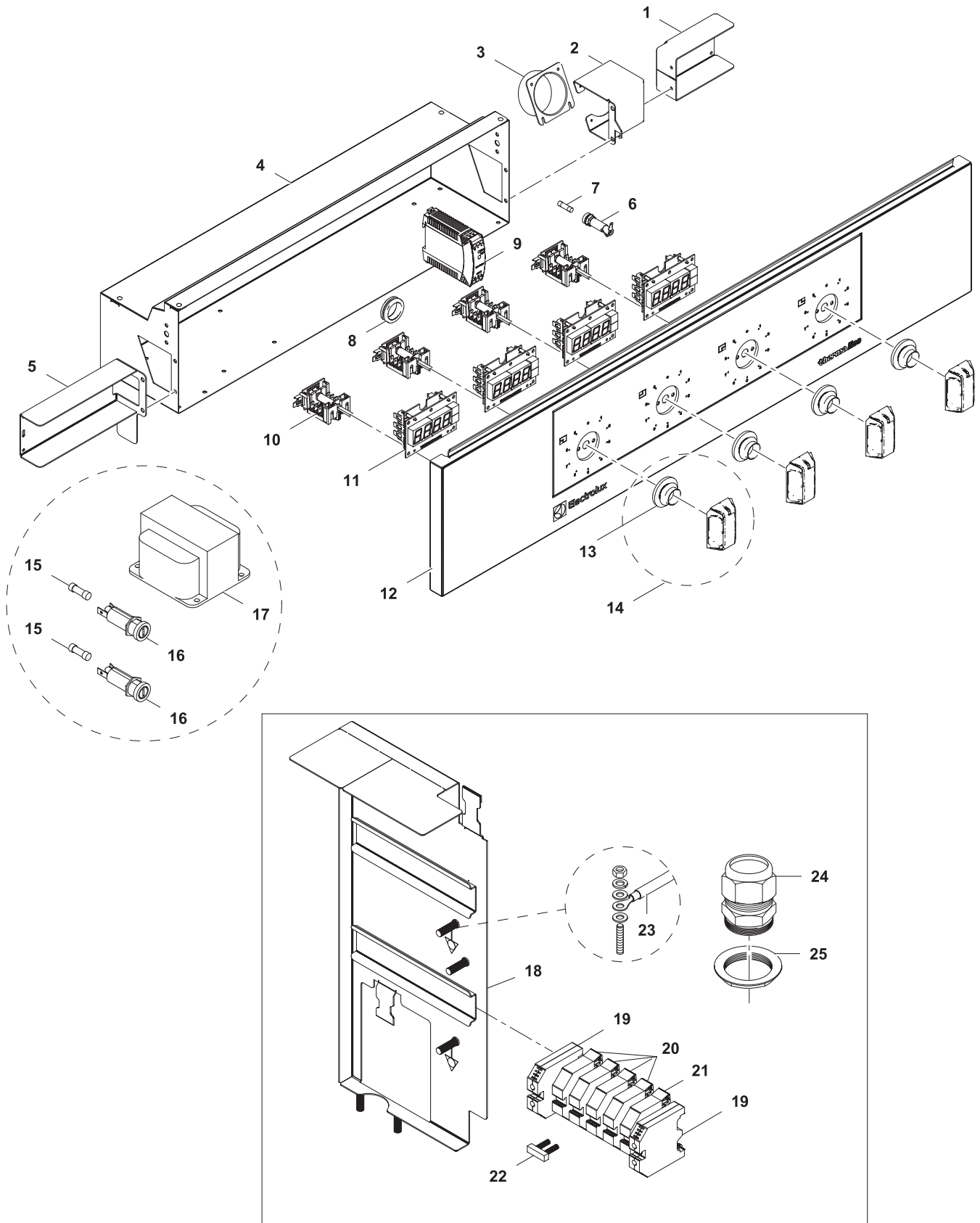


**DE VOLLFLÄCHENINDUKTION AUF UNTERBAUSCHRANK**  
**EN FULL SURFACE INDUCTION ON NEUTRAL COMPARTMENT**

PNC	Factory Model	Ref.	Description
588514	MBJGBEIAO	a	FULL INDUCTION, OPEN BASE, H2, 2 ZONES, 1-SIDE, C-BOARD, 500X850X700H
588517	MBJDGBJIAO	b	FULL INDUCTION, OPEN BASE, H2, 4 ZONES, 1-SIDE, C-BOARD, 1000X850X700H
588519	MBJDGBJ9AO	b	FULL INDUCTION, CUPBOARD, H2, 4 ZONES, 1-SIDE, C-BOARD, 1000X850X700H
588660	MBJJGBJIAO	c	FULL INDUCTION, OPEN BASE, NHC, 4 ZONES, 1-SIDE, C-BOARD, 1000X850X700H
588662	MBJJGBJ9AO	c	FULL INDUCTION, CUPBOARD, NHC, 4 ZONES, 1-SIDE, C-BOARD, 1000X850X700H
589043	MCJBEAEIAO	d	FULL INDUCTION, OPEN BASE, H2, 2 ZONES, 1-SIDE, 500X900X700H
589046	MCJBEBEIAO	d	FULL INDUCTION, OPEN BASE, H2, 2 ZONES, 1-SIDE, C-BOARD, 500X900X700H
589049	MCJBECEIAO	e	FULL INDUCTION, OPEN BASE, H2, 2 ZONES, 2-SIDES, 500X900X700H
589052	MCJDEAJIAO	f	FULL INDUCTION, OPEN BASE, H2, 4 ZONES, 1-SIDE, 1000X900X700H
589054	MCJDEAJ9AO	f	FULL INDUCTION, CUPBOARD, H2, 4 ZONES, 1-SIDE, 1000X900X700H
589055	MCJDEBJIAO	f	FULL INDUCTION, OPEN BASE, H2, 4 ZONES, 1-SIDE, C-BOARD, 1000X900X700H
589057	MCJDEBJ9AO	f	FULL INDUCTION, CUPBOARD, H2, 4 ZONES, 1-SIDE, C-BOARD, 1000X900X700H
589058	MCJDECI2AO	g	FULL INDUCTION, OPEN BASE, H2, 4 ZONES, 2-SIDES, 1000X900X700H
589060	MCJDECI9AO	g	FULL INDUCTION, CUPBOARD, H2, 4 ZONES, 2-SIDES, 1000X900X700H
589354	MCJBF AEIAO	h	FULL INDUCTION, OPEN BASE, H2, 2 ZONES, 1-SIDE, 500X900X800H
589357	MCJBFBEIAO	h	FULL INDUCTION, OPEN BASE, H2, 2 ZONES, 1-SIDE, C-BOARD, 500X900X800H
589360	MCJBFCEIAO	i	FULL INDUCTION, OPEN BASE, H2, 2 ZONES, 2-SIDES, 500X900X800H
589363	MCJDFAJIAO	k	FULL INDUCTION, OPEN BASE, H2, 4 ZONES, 1-SIDE, 1000X900X800H
589365	MCJDFAJ9AO	k	FULL INDUCTION, CUPBOARD, H2, 4 ZONES, 1-SIDE, 1000X900X800H
589366	MCJD FBJIAO	k	FULL INDUCTION, OPEN BASE, H2, 4 ZONES, 1-SIDE, C-BOARD, 1000X900X800H
589368	MCJD FBJ9AO	k	FULL INDUCTION, CUPBOARD, H2, 4 ZONES, 1-SIDE, C-BOARD, 1000X900X800H
589369	MCJD FCI2AO	m	FULL INDUCTION, OPEN BASE, H2, 4 ZONES, 2-SIDES, 1000X900X800H
589371	MCJD FCI9AO	m	FULL INDUCTION, CUPBOARD, H2, 4 ZONES, 2-SIDES, 1000X900X800H
589852	MCJQAEIDM	n	MARINE* FULL INDUCTION, OPEN BASE, H3, 2 ZONES, 1-SIDE, 500X900X7
589853	MCJQECEIDM	o	MARINE* FULL INDUCTION, OPEN BASE, H3, 2 ZONES, 2-SIDES, 500X900X7
589854	MCJNEAJIDM	p	MARINE* FULL INDUCTION, OPEN BASE, H3, 4 ZONES, 1-SIDE, 1000X900X7
589857	MCJNECJIDM	q	MARINE* FULL INDUCTION, OPEN BASE, H3, 4 ZONES, 2-SIDES, 1000X900X7

Page	Index	Last Updates	Page	Pos.
2	Electronical parts (FME)	12/2015	all	
4	Aeration kit (FML)	01/2017	8/9	
6	Mechanical parts (FMM)	04/2017	7	
8	Generator cabinet	09/2017	6, 7	
10	Marine accessories	11/2017	3	16
		11/2017	7	17, 18
		11/2017	9	18
		05/2018	7	21
		12/2018	3	14
Valid from Ser. № 3101....				

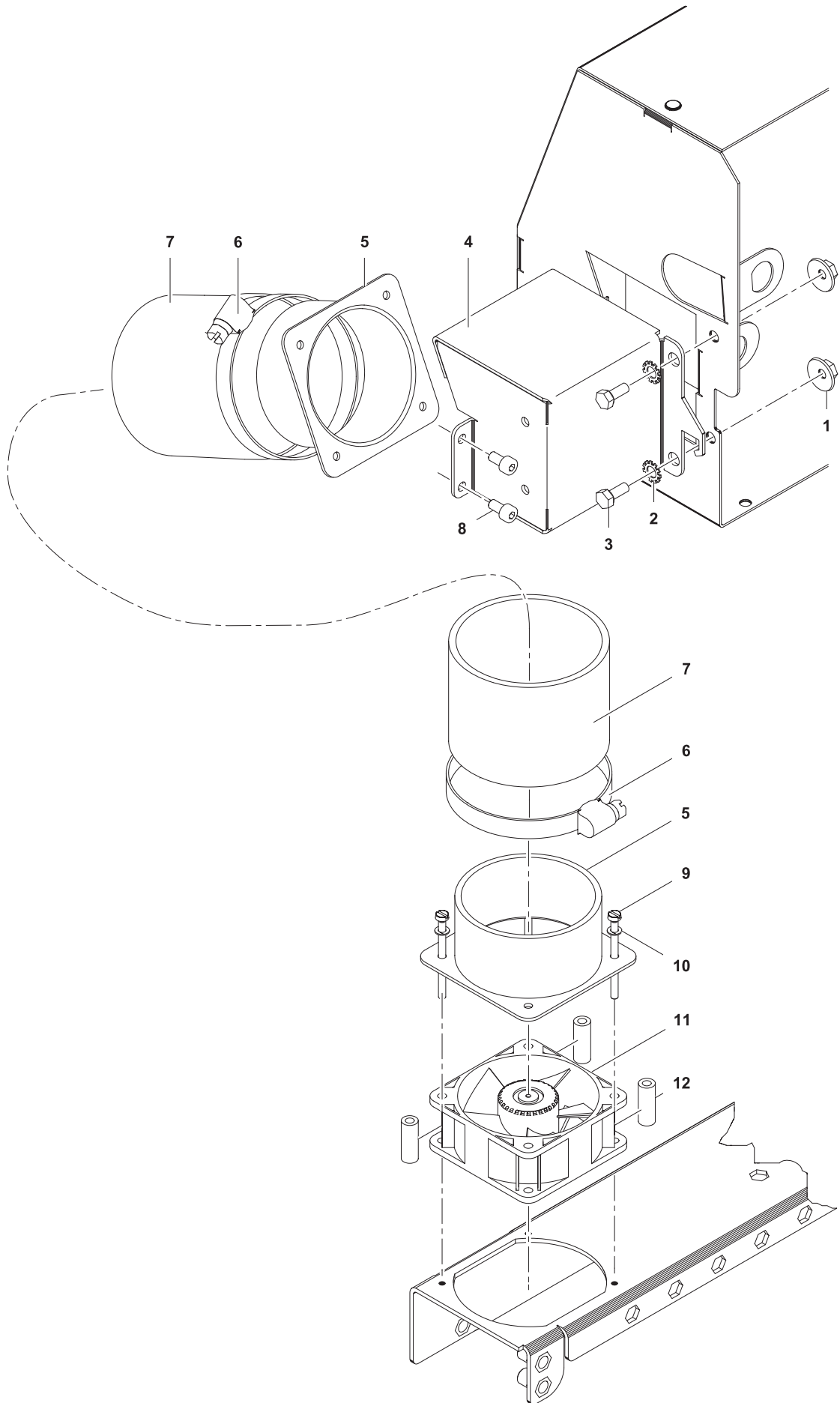


1	Alias	Code	Bezeichnung	Description	Ref.	Valid from Serial N°
1	82.3004.01	OG7448	Halterung Ventilationsbox L100	Support for ventilation box L100	D900	
2	82.3001	*	Standard Ventilationsbox links	Ventilation box left	all types	
	82.3002	OG7450	Standard Ventilationsbox rechts	Ventilation box right	D900	
3	82.7550.01	OG7868	Rohrstutzen gerade	Pipe socket straight	D900	
4	82.3022	*	Elektrobox 800+	Electronical compartment 800+	Standard	
	82.3054	*	Elektrobox 800+	Electronical compartment 800+	Standard	6101...
	82.3049	OG7319	Elektrobox Marine	Electronical compartment Marine	Marine	
5	82.3008.02	*	Halterung Ventilationsbox L200	Support for ventilation box L200	all types	
	82.3008.12	*	Halterung Ventilationsbox L200 gegengleich	Support for ventilation box L200 mirrored	a b c e g i m o q	
6	82.7093	056582	Sicherungshalter	Fuse holder	D900	
7	712 344362.01	OG5814	Sicherung 5x20 1A	Fuse 5x20 1A	D900	
8	712 044961.17	OKT854	Kabeltülle Ø25/Ø31/Ø35x10	Cable: sleeve Ø25/Ø31/Ø35x10	all types	
9	82.9030	OG6075	DC Power Supply 12VDC	DC Power Supply 12VDC	D900	
10	82.9020	OG6314	Schalter Off-9 Stufen + 2x10K Potentiometer	Switch off-9 levels + 2x10K potentiometer	D900	
	82.9013	OG6242	Schalter Off-9 Stufen + 10K Potentiometer	Switch off-9 levels + 10K potentiometer	D850	
11	82.9115.01	OG6302	Eurotas Display Induktion	Eurotas Display Induction	D900	
	72.5938.01	OKX184	Anzeigelampe	Indicator light	D850	
	72.5938.08	OKI364	Einsteckfassung grün/gelb Ø10mm	Lamp holder, green/yellow, Ø10mm	D850	
12	82.1027.25	*	Bedienblende Induktion 1000 1-seitig	Control panel Induction 1000 1-side	D900 / 1-side	
	82.1027.20	*	Bedienblende Induktion 1000 2-seitig	Control panel Induction 1000 2-sides	D900 / 2-sides	
	82.1049.25	*	Bedienblende INOX Induktion 1000	Control panel INOX Induction 1000	D850	
13	82.7009	OG6247	Dichtung Drehgriff	Sealing for handle	all types	
14	82.6637.01	OG7693	Drehgriff Kpl.	Handle complete kit	all types	
15	82.9171	OTTR73	Sicherung 6.3x32 0.63A 500V	Fuse 6.3x32 0.63A 500V	Marine	
16	879204	OCB130	Sicherungshalter 6.3x32 500V	Fuse holder 6.3x32 500V	Marine	
17	82.9209	006710	Autotransformator 0-240-400-440V-150A	Autotransformer 0-240-400-440V-150A	Marine	
18	82.3030.02	*	Klemmenträger	Terminal support	all types	
	82.3051	OG7430	Klemmenträger	Terminal support	all types	5421...
19	75.2011.03	OKX29	Schutzleiterklemme 16mm²	Ground conductor terminal 16mm²	all 4 Zones	
20	75.2010.40	OKI280	Reihenblockklemme 16mm² grau	Terminal block 16mm² grey	all 4 Zones	
21	75.2010.41	OG3488	Nullleiterklemme 16mm² blau	Neutral wire terminal 16mm² blue	all 4 Zones	
22	75.2010.44	OKT731	Querverbinder	Cross connection	all 4 Zones	
23	82.9103	OG6424	Kabel Haupterdtraht L400 6mm²	Main earthing cable L400 6mm²	all types	
24	82.2908	OC0068	Kabelverschraubung PG21	Cable gland PG21	all types	
25	82.9226	OG7024	Gegenmutter Kabelverschraubung PG21	Lock nut PG21	all types	
	82.9002	OG6897	Kabel: Display - Display	Cable: Display - Display	D900	
	82.9003	OG6899	Kabel: Potentiometer - Display L200	Cable: Potentiometer - Display L200	D900	
	82.9011	OG7365	Kabel: Trafo - Display - Ventilator	Cable: Trafo - Display - Ventilator	D900	
	82.9241	OG7420	Kabel: Display - Ventilator	Cable: Display - Ventilator	D900	5361...
	82.9116	OG7366	Kabel: Trafo T1 - Trafo T2	Cable: Trafo T1 - Trafo T2	2-Sides	
	82.9022.01	OG7036	Kabel: Schalter S1 - Schalter S2 kurz	Cable: Switch S1 - Switch S2 short	D900	
	82.9022.02	OG7367	Kabel: Schalter S2 - Schalter S3 kurz	Cable: Switch S2 - Switch S3 short	D900 / 1-side	
	82.9022.03	OG7195	Kabel: Schalter S2/3 - Schalter S4 kurz	Cable: Switch S2/3 - Switch S4 short	D900	
	82.9022.05	OG7368	Kabel: Schalter S2 - Schalter S3 lang	Cable: Switch S2 - Switch S3 long	2-Sides	
	82.9012.02	OG6667	Kabel: 2x Poti - Generator GFI L2500	Cable: 2x Poti - Generator GFI L2500	all types	
	82.9059.01	OG7369	Kabel: X0 - F1 - Schalter - Trafo 1	Cable: X0 - F1 - Switch - Trafo 1	D900	
	82.9059.03	OG7376	Kabel: X0 - F2 - Schalter - Trafo Marine	Cable: X0 - F1 - Switch - Trafo 1	Marine 1-side	
	82.9064.02	OG7370	Kabel: 2x Anzeigel. - Generator GFI L2500	Cable: 2x indicato - Generator GFI L2500	D850	
	72.6287.02	OT2450	Kabel: 4x 4.0mm² L2800	Cable: 4x 4.0mm² L2800	all types	
	82.9010.01	OG7371	Kabel: Generator - Spulen L1800	Cable: Generator - Coils L1800	all types	

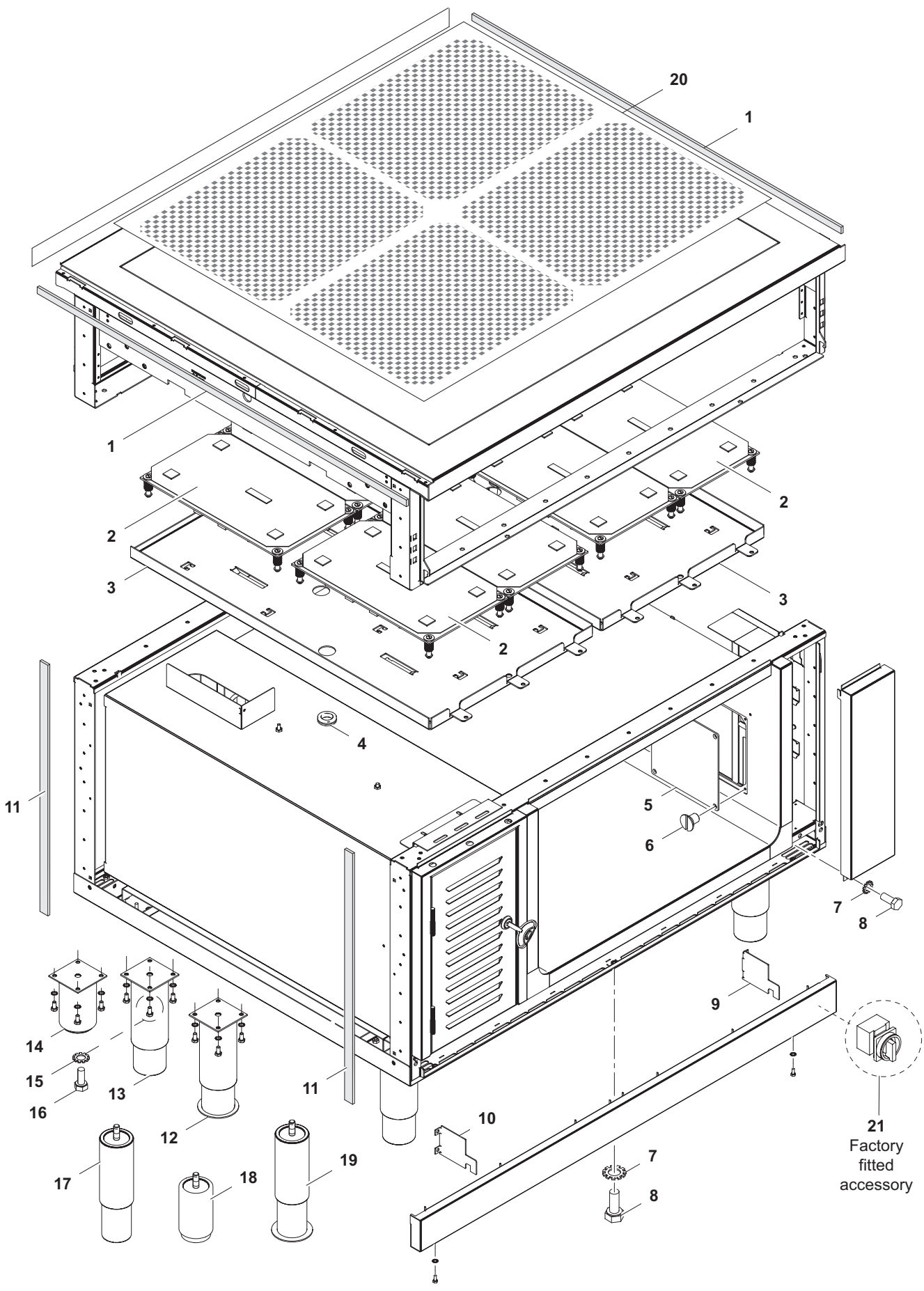
\* Components on demand  
\* Teile auf Anfrage

Doc. № 599A2AN00 / 82.8073.03

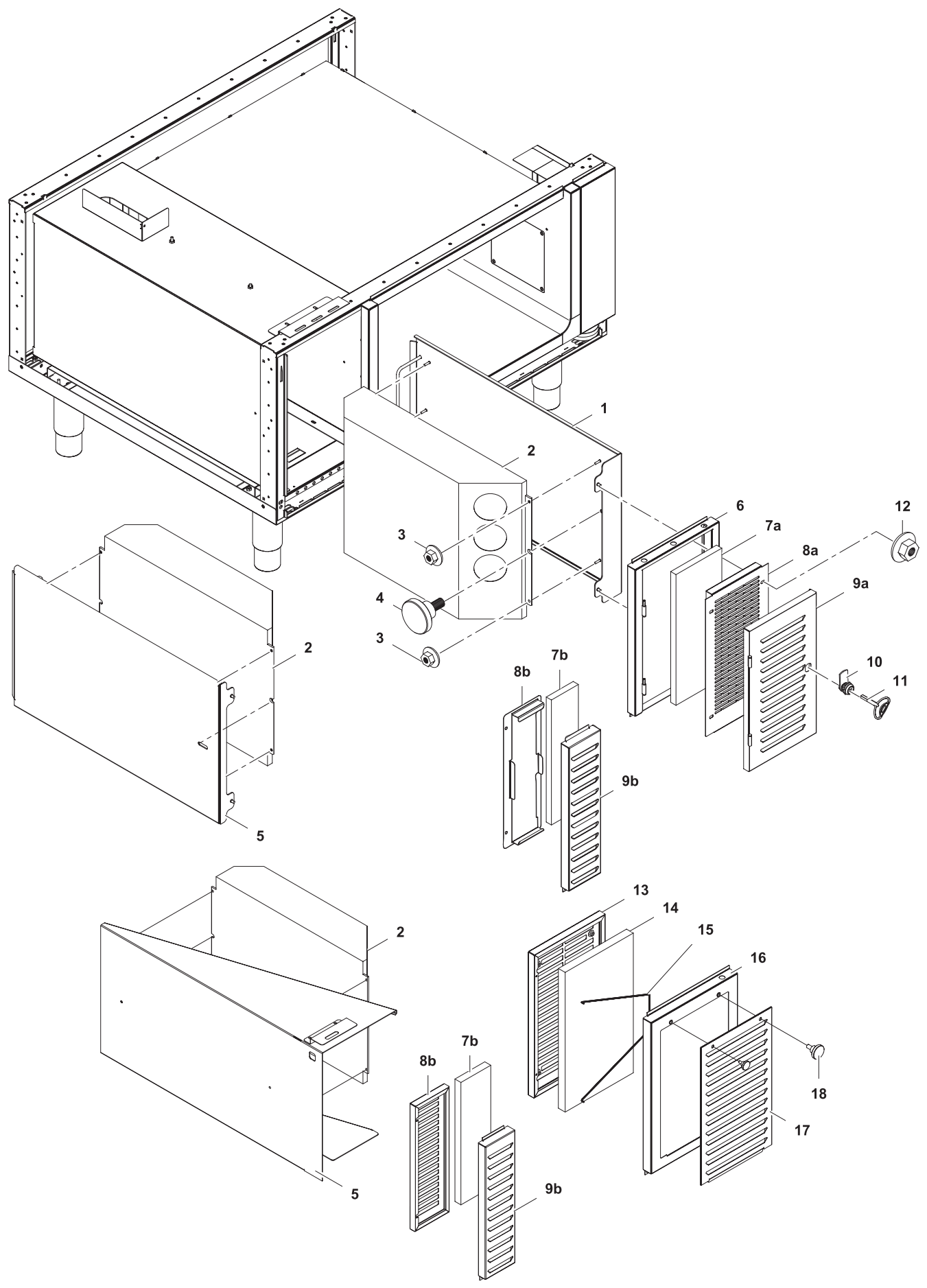
Page: 3





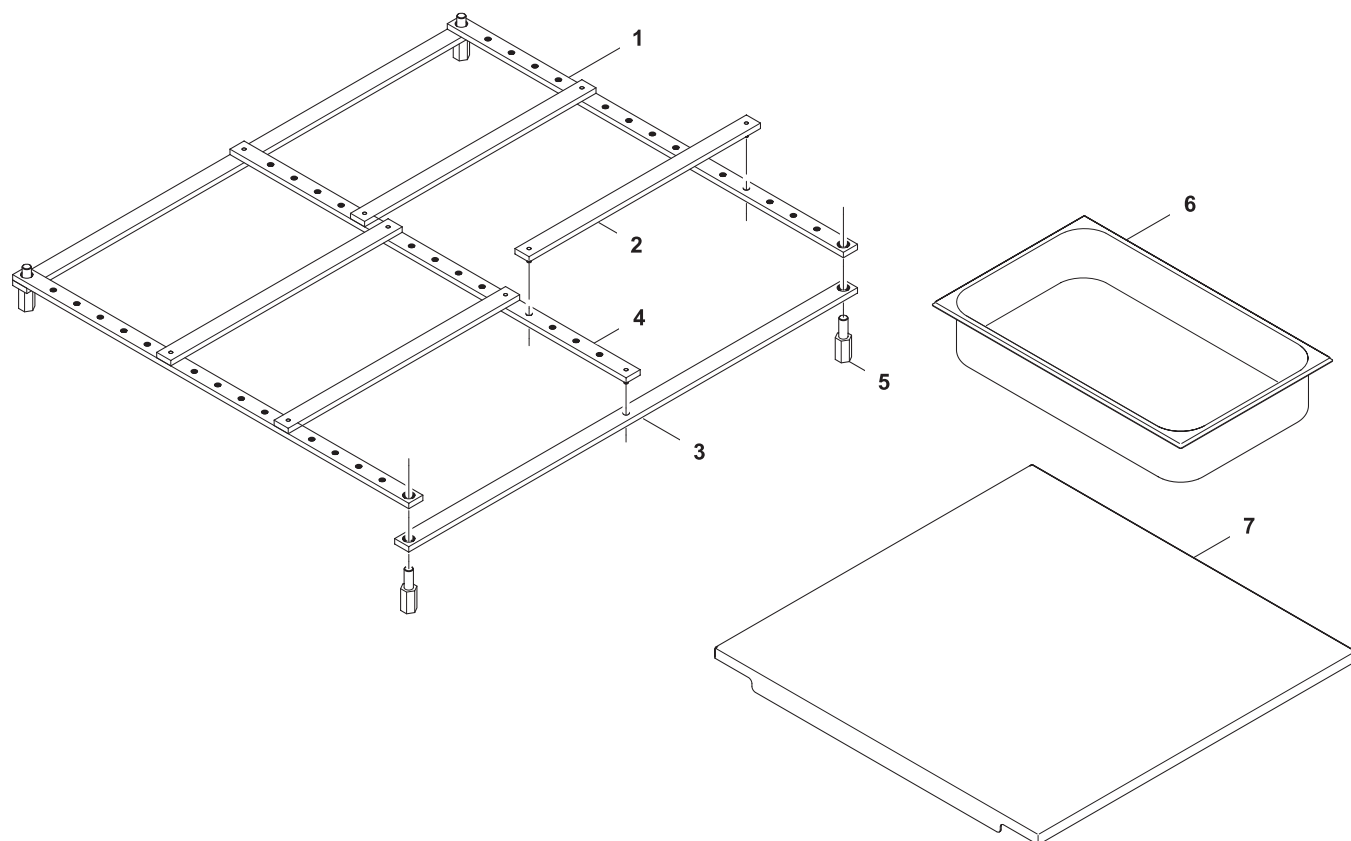


3	Alias	Code	Bezeichnung	Description	Ref.	Valid from Serial N°
1	82.7464	0C2496	Dichtband (Schaumstoff-Silikon, klebend)	Sealing strip	all types	
2	82.7316.01	0G6329	Spule 3.5kW GFI 400V	Coilö 3.5kW GFI 400V	all types	
3	82.2576	0G7372	Spulenträgerblech (2 Zonen)	Coil support sheet (2 Zones)	all types	
4	712 044961.16	0G7407	Kabeltülle	Kabeltülle	all types	
5	82.0223.01	0G6757	Deckel Servicefenster	Cover plate	all types	
6	1 701 1145	0G6758	Senkkopfschraube M4x6	Countersunk screw M4x6	all types	
7	1 701 7002	0G2923	Fächerscheibe M5	Fan washer M5	all types	
8	1 701 2579	0G4020	Sechskantschraube M5x16	Hex bolt M5x16	all types	
9	82.0114.02	0G7055	Abgrenzungsblech Frischluft rechts H700	Aeration sheet right H700	all H700	
	82.0114.12	0G7056	Abgrenzungsblech Frischluft rechts H800	Aeration sheet right H800	all H800	
10	82.0114.01	0G7053	Abgrenzungsblech Frischluft links H700	Aeration sheet left H700	all H700	
	82.0114.11	0G7054	Abgrenzungsblech Frischluft links H800	Aeration sheet left H800	all H800	
11	82.7467	0C7307	Dichtung 5mm	Sealing sides 5mm	H700/800	51010000
12	83.3728	0G6886	Stellfuß 2" Marine 145-252mm	Adjustable feet 2" Marine 145-252mm	Marine	
13	86.0001	0G5391	Stellfuß 2" 145-252mm rund	Adjustable feet 2" 145-252mm, round	Std. H700	
14	86.2385	0G6140	Stellfuß 2" 100mm	Adjustable feet 2" 100mm	Std. H800	
15	1 701 5051	0G6753	Fächerscheibe M6	Fan washer M6	all types	
16	1 701 2600	OKT919	Sechskantschraube M6x12	Hex bolt M6x12	all types	
17	82.0350.01	0G7958	Fuss M10 200mm	Foot M10 200mm	H700	7141...
18	82.0350.02	0G7957	Fuss M10 100mm	Foot M10 100mm	H800	7141...
19	82.0350.03		Fuss M10 200mm Marine	Foot M10 200mm Marine	Marine	7141...
20	82.7011	0G6336	Glaskeramik pl. 840x740 Gfi	Ceran Glass 840x740 Gfi	all types	
21	76.9164.01	0G2137	Hauptschalter 25A	Main switch 25A	2 zones H800	8041...
21	76.9164.02	OK4979	Hauptschalter 63A	Main switch 63A	4 zones H800	8041...





4	Alias	Code	Bezeichnung	Description	Ref.	Valid from Serial N°
1	82.2765.03	*	Einschubblech	Slide-in sheet	4-zones	
2	82.7145.01	OG6328	Generator Q+ 4x3.5kW GFI 400V	Generator Q+ 4x3.5kW Full induct 400V	all standard	
	82.7145.03		Generator Q+ 4x3.5kW GFI 440V	Generator Q+ 4x3.5kW Full induct 440V	all Marine	
3	712 044120.04	OG4918	Keps-Mutter M4	Keps-nut M4	all types	
4	1 701 2590	OG4171	Rändelschraube	Knurled screw	all types	
5	82.2765.01	*	Einschubblech	Slide-in sheet	4-zones	
	82.2668	*	Einschubblech	Slide-in sheet	2-zones	
6	83.3085.04	*	Blende mit Ausschnitt	Panel	4-zones	
7a	82.7272.02	OG7408	Filter	Filter	4-zones	
7b	82.7272.04	OG7409	Filter	Filter	2-zones	
	82.7519		Filter	Filter	2-zones	5141...
8a	82.2766.01	*	Schutzblech	Protection sheet	4-zones	
8b	82.2543	*	Filterhalter	Filter support	2-zones	
9a	82.2354	*	Tür mit Lamellen	Door	4-zones	
9b	82.2556	*	Blende mit Lamellen	Panel	2-zones	
10	83.7029	OG7412	Hebelschloss	Lever lock	4-zones	
11	83.7063	OG6260	Vierkantschlüssel	Square key	4-zones	
12	712 044120.05	OG3998	Keps-Mutter M5	Keps-nut M5	all types	
13	82.1191.01		Filterrahmen	Filter frame	4-zones	5141...
14	82.7519		Filter	Filter	4-zones	5141...
15	82.7522.02		Klemmdraht	Clipping wire	4-zones	5141...
16	82.1186.01		Blende	Frontal Cover	4-zones	5141...
17	82.1198.01		Abdeckblech Blende	Cover plate to frontal cover	4-zones	5141...
18	1 701 2640	OG7983	Rändelschraube M5x10	Knurled screw M5x10	4-zones	5141...



5	Alias	Code	Bezeichnung	Description	Ref.	Valid from Serial N°
	83.3769	OG7016	Schlingerstange komplet 500	Set roling racks 500	2Zones Marine	
	83.3745	OG7017	Schlingerstange komplet 1000	Set roling racks 1000	4Zones Marine	
1	83.3741	OG7218	Schiene-1000 15xØ8	Rolling rack-1000 15xØ8	4Zones Marine	
	83.3768	OG7295	Schiene-500 15xØ8	Rolling rack-500 15xØ8	2Zones Marine	
2	83.3744	OG7219	Schiene-1000 2xØ6	Rolling rack-1000 2xØ6	4Zones Marine	
	83.3767	OG7296	Schiene-500 2xØ6	Rolling rack-500 2xØ6	2Zones Marine	
3	83.3743	OG7220	Schiene-1000 2xØ17	Rolling rack-1000 2xØ17	4Zones Marine	
	83.3766	OG7297	Schiene-500 2xØ17	Rolling rack-500 2xØ17	2Zones Marine	
4	83.3742	OG7221	Schiene-1000 15xØ8 mittig	Rolling rack-1000 15xØ8 mittig	4Zones Marine	
5	82.7495	OG7362	Abstandsbolzen 22x80/M8	Spacer bolt 22x80/M8	all types Marine	
6	1 110 1355	OS1733	Schale 1/1 GN H100	Container GN 1/1 H100	4Zone/H700 Marine	
	82.7333	OG7382	Schale 1/3GN H100	Container GN 1/3 H100	2Zone/H700 Marine	
7	83.3718.01	OG6890	Tablar 400 für H3 Korpus	Shelf for 400 H3 corpus	2Zone/H700 Marine	
	83.3718.02	OG6920	Tablar 900 für H3 Korpus	Shelf for 900 H3 corpus	4Zone/H700 Marine	