

**THERMALINE 80/85/90**

**DE** EL. BRATPLATTEN 1 ZONE & 2 ZONEN  
**EN** EL. FRY TOPS 1 ZONE & 2 ZONES

**Appliances half module:**

PNC	Factory Model	Ref.	Description
588056	MAHMAADOAO	a	1 ZONE, TOP, SMOOTH PLATE, 400X800X250
588057	MAHMABDOAO	a	1 ZONE, TOP, SMOOTH PLATE, C-BOARD, 400X800X250
588064	MAHNAADOAO	a	1 ZONE, TOP, RIBBED PLATE, 400X800X250
588065	MAHNABDOAO	a	1 ZONE, TOP, RIBBED PLATE, C-BOARD, 400X800X250
588530	MBHMBBDOAO	b	1 ZONE, TOP, SMOOTH PLATE, C-BOARD, 400X850X250
588534	MBHNBBDOAO	b	1 ZONE, TOP, RIBBED PLATE, C-BOARD, 400X850X250
589088	MCHMAADOAO	c	1 ZONE, TOP, SMOOTH PLATE, 400X900X250
589089	MCHMABDOAO	c	1 ZONE, TOP, SMOOTH PLATE, C-BOARD, 400X900X250
589096	MCHNAADOAO	c	1 ZONE, TOP, RIBBED PLATE, 400X900X250
589097	MCHNABDOAO	c	1 ZONE, TOP, RIBBED PLATE, C-BOARD, 400X900X250
588362	MAHAEADDAO	d	1 ZONE, UNIT, SMOOTH PLATE, 400X800X700
588363	MAHAEBDDAO	d	1 ZONE, UNIT, SMOOTH PLATE, C-BOARD, 400X800X700
588366	MAHCEADDAO	d	1 ZONE, UNIT, RIBBED PLATE, 400X800X700
588367	MAHCEBDDAO	d	1 ZONE, UNIT, RIBBED PLATE, C-BOARD, 400X800X700
588370	MAHAFADDAO	e	1 ZONE, UNIT, SMOOTH PLATE, 400X800X800
588371	MAHAFBDDAO	e	1 ZONE, UNIT, SMOOTH PLATE, C-BOARD, 400X800X800
588374	MAHCFADDAO	e	1 ZONE, UNIT, RIBBED PLATE, 400X800X800
588375	MAHCFBDDAO	e	1 ZONE, UNIT, RIBBED PLATE, C-BOARD, 400X800X800
588665	MBHAGBDDAO	f	1 ZONE, UNIT, SMOOTH PLATE, C-BOARD, 400X850X700
588669	MBHCGBDDAO	f	1 ZONE, UNIT, RIBBED PLATE, C-BOARD, 400X850X700
589532	MCHAEADDAO	g	1 ZONE, UNIT, SMOOTH PLATE, 400X900X700
589533	MCHAEBDDAO	g	1 ZONE, UNIT, SMOOTH PLATE, C-BOARD, 400X900X700
589540	MCHCEADDAO	g	1 ZONE, UNIT, RIBBED PLATE, 400X900X700
589541	MCHCEBDDAO	g	1 ZONE, UNIT, RIBBED PLATE, C-BOARD, 400X900X700
589552	MCHAFADDAO	h	1 ZONE, UNIT, SMOOTH PLATE, 400X900X800
589553	MCHAFBDDAO	h	1 ZONE, UNIT, SMOOTH PLATE, C-BOARD, 400X900X800
589560	MCHCFADDAO	h	1 ZONE, UNIT, RIBBED PLATE, 400X900X800
589561	MCHCFBDDAO	h	1 ZONE, UNIT, RIBBED PLATE, C-BOARD, 400X900X800
589828	MCHMAADODM	w	MARINE* 1 ZONE, TOP, SMOOTH PLATE, 400X900X250
589830	MCHNAADODM	w	MARINE* 1 ZONE, TOP, RIBBED PLATE, 400X900X250
589836	MCHXEADIDM	x	MARINE* 1 ZONE, UNIT, SMOOTH PLATE, 400X900X700
589838	MCHZEADIDM	x	MARINE* 1 ZONE, UNIT, RIBBED PLATE, 400X900X700

Continued on next page.

## Appliances full module:

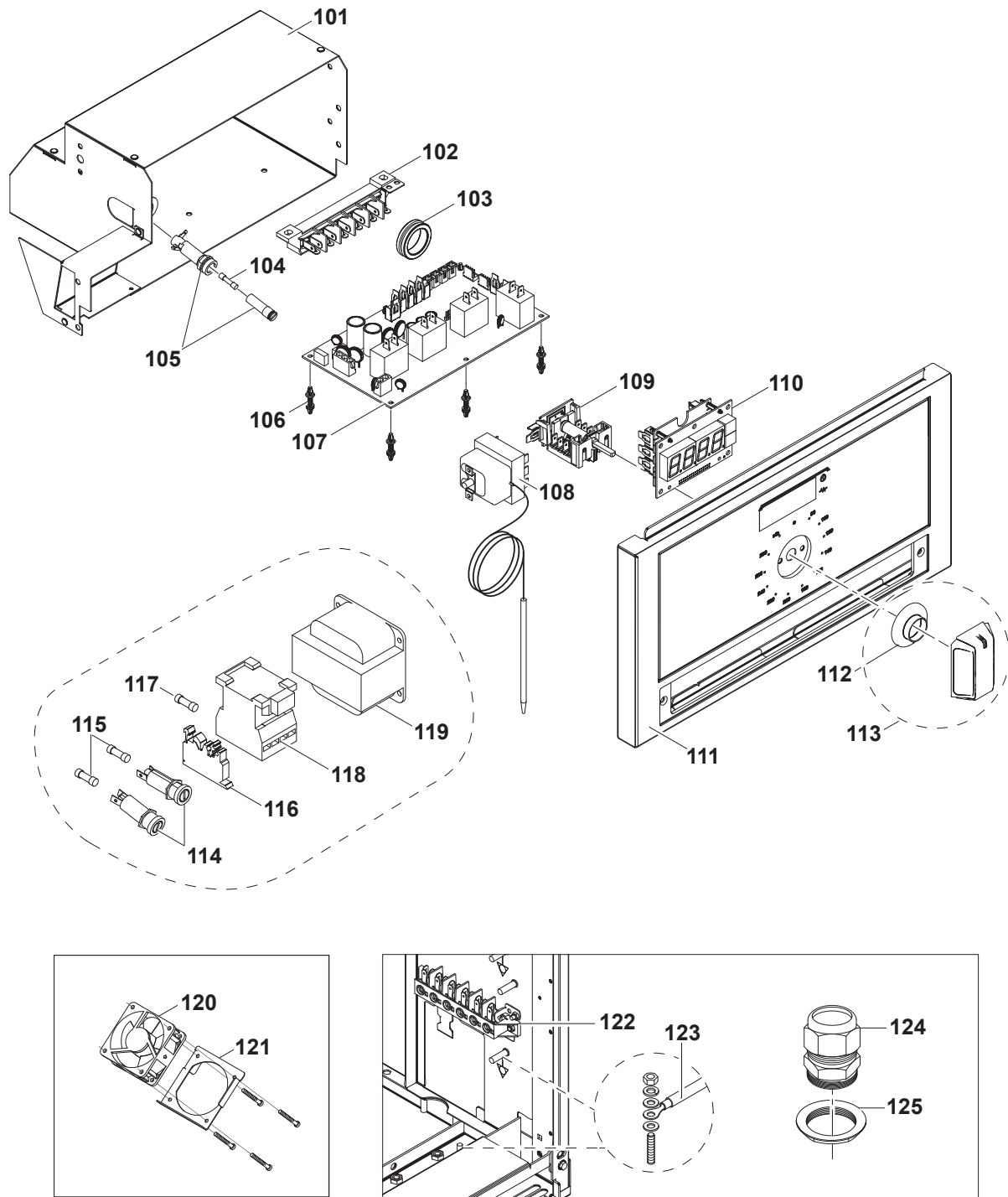
PNC	Factory Model	Ref.	Description
588058	MAHMAAHOAO	k	2 ZONES, TOP, SMOOTH PLATE, 800X800X250
588059	MAHMABHOAO	k	2 ZONES, TOP, SMOOTH PLATE, C-BOARD, 800X800X250
588066	MAHNAAHOAO	k	2 ZONES, TOP, RIBBED PLATE, 800X800X250
588067	MAHNABHOAO	k	2 ZONES, TOP, RIBBED PLATE, C-BOARD, 800X800X250
588409	MAHOAAHOAO	k	2 ZONES, TOP, MIXED PLATE, 800X800X250
588410	MAHOABHOAO	k	2 ZONES, TOP, MIXED PLATE, C-BOARD, 800X800X250
588531	MBHMBBHOAO	l	2 ZONES, TOP, SMOOTH PLATE, C-BOARD, 800X850X250
588535	MBHNBBHOAO	l	2 ZONES, TOP, RIBBED PLATE, C-BOARD, 800X850X250
588539	MBHOBBHOAO	l	2 ZONES, TOP, MIXED PLATE, C-BOARD, 800X850X250
589090	MCHMAAHOAO	m	2 ZONES, TOP, SMOOTH PLATE, 800X900X250
589091	MCHMABHOAO	m	2 ZONES, TOP, SMOOTH PLATE, C-BOARD, 800X900X250
589098	MCHNAAHOAO	m	2 ZONES, TOP, RIBBED PLATE, 800X900X250
589099	MCHNABHOAO	m	2 ZONES, TOP, RIBBED PLATE, C-BOARD, 800X900X250
589106	MCHOAAHOAO	m	2 ZONES, TOP, MIXED PLATE, 800X900X250
589107	MCHOABHOAO	m	2 ZONES, TOP, MIXED PLATE, C-BOARD, 800X900X250
588364	MAHBEAHDAAO	n	2 ZONES, UNIT, SMOOTH PLATE, 800X800X700
588365	MAHBEBHDAAO	n	2 ZONES, UNIT, SMOOTH PLATE, C-BOARD, 800X800X700
588368	MAHDEAHDAAO	n	2 ZONES, UNIT, RIBBED PLATE, 800X800X700
588369	MAHDEBHDAAO	n	2 ZONES, UNIT, RIBBED PLATE, C-BOARD, 800X800X700
588404	MAHFEAHDAAO	n	2 ZONES, UNIT, MIXED PLATE, 800X800X700
588405	MAHFEBHDAAO	n	2 ZONES, UNIT, MIXED PLATE, C-BOARD, 800X800X700
588372	MAHBFADAAO	o	2 ZONES, UNIT, SMOOTH PLATE, 800X800X800
588373	MAHBFBDAAO	o	2 ZONES, UNIT, SMOOTH PLATE, C-BOARD, 800X800X800
588376	MAHDFADAAO	o	2 ZONES, UNIT, RIBBED PLATE, 800X800X800
588408	MAHDFBDAAO	o	2 ZONES, UNIT, RIBBED PLATE, C-BOARD, 800X800X800
588406	MAHFFADAAO	o	2 ZONES, UNIT, MIXED PLATE, 800X800X800
588407	MAHFFBDAAO	o	2 ZONES, UNIT, MIXED PLATE, C-BOARD, 800X800X800
588666	MBHBGBHDAAO	p	2 ZONES, UNIT, SMOOTH PLATE, C-BOARD, 800X850X700
588670	MBHDGBHDAAO	p	2 ZONES, UNIT, RIBBED PLATE, C-BOARD, 800X850X700
588674	MBHFGBHDAAO	p	2 ZONES, UNIT, MIXED PLATE, C-BOARD, 800X850X700
589534	MCHBEAHDAAO	q	2 ZONES, UNIT, SMOOTH PLATE, 800X900X700
589535	MCHBEBHDAAO	q	2 ZONES, UNIT, SMOOTH PLATE, C-BOARD, 800X900X700
589542	MCHDEAHDAAO	q	2 ZONES, UNIT, RIBBED PLATE, 800X900X700
589543	MCHDEBHDAAO	q	2 ZONES, UNIT, RIBBED PLATE, C-BOARD, 800X900X700
589548	MCHFEAHDAAO	q	2 ZONES, UNIT, MIXED PLATE, 800X900X700
589549	MCHFEBHDAAO	q	2 ZONES, UNIT, MIXED PLATE, C-BOARD, 800X900X700
589554	MCHBFADAAO	r	2 ZONES, UNIT, SMOOTH PLATE, 800X900X800
589555	MCHBFBDAAO	r	2 ZONES, UNIT, SMOOTH PLATE, C-BOARD, 800X900X800
589562	MCHDFADAAO	r	2 ZONES, UNIT, RIBBED PLATE, 800X900X800
589563	MCHDFBDAAO	r	2 ZONES, UNIT, RIBBED PLATE, C-BOARD, 800X900X800
589568	MCHFFADAAO	r	2 ZONES, UNIT, MIXED PLATE, 800X900X800
589569	MCHFFBDAAO	r	2 ZONES, UNIT, MIXED PLATE, C-BOARD, 800X900X800
589829	MCHMAAHODM	y	MARINE* 2 ZONES, TOP, SMOOTH PLATE, 800X900X250
589831	MCHNAAHODM	y	MARINE* 2 ZONES, TOP, RIBBED PLATE, 800X900X250
589832	MCHOAAHODM	y	MARINE* 2 ZONES, TOP, MIXED PLATE, 800X900X250
589837	MCHYEAHIDM	z	MARINE* 2 ZONES, UNIT, SMOOTH PLATE, 800X900X700
589839	MCHIEAHIDM	z	MARINE* 2 ZONES, UNIT, RIBBED PLATE, 800X900X700
589840	MCH2EAHIDM	z	MARINE* 2 ZONES, UNIT, MIXED PLATE, 800X900X700

### Page Index

4	Electrical components 1 zone
6	Mechanical components 1 zone
8	Electrical components 2 zones
10	Aeration kit 2 zones
12	Mechanical components 2 zones

### Last Updates

	Page	Ref.
12/2015	all	
01/2017	all	
04/2017	12	
11/2017	5 / 9	114 / 316
01/2018	5, 9, 13	added spare parts for USA
02/2018	6 / 7	exploded view / 207 and from 216 to 226
05/2018	13	503
11/2018	5 / 9	113 / 314
05/2019	5 / 9	112, 113 / 313, 314
10/2024	changed layout	



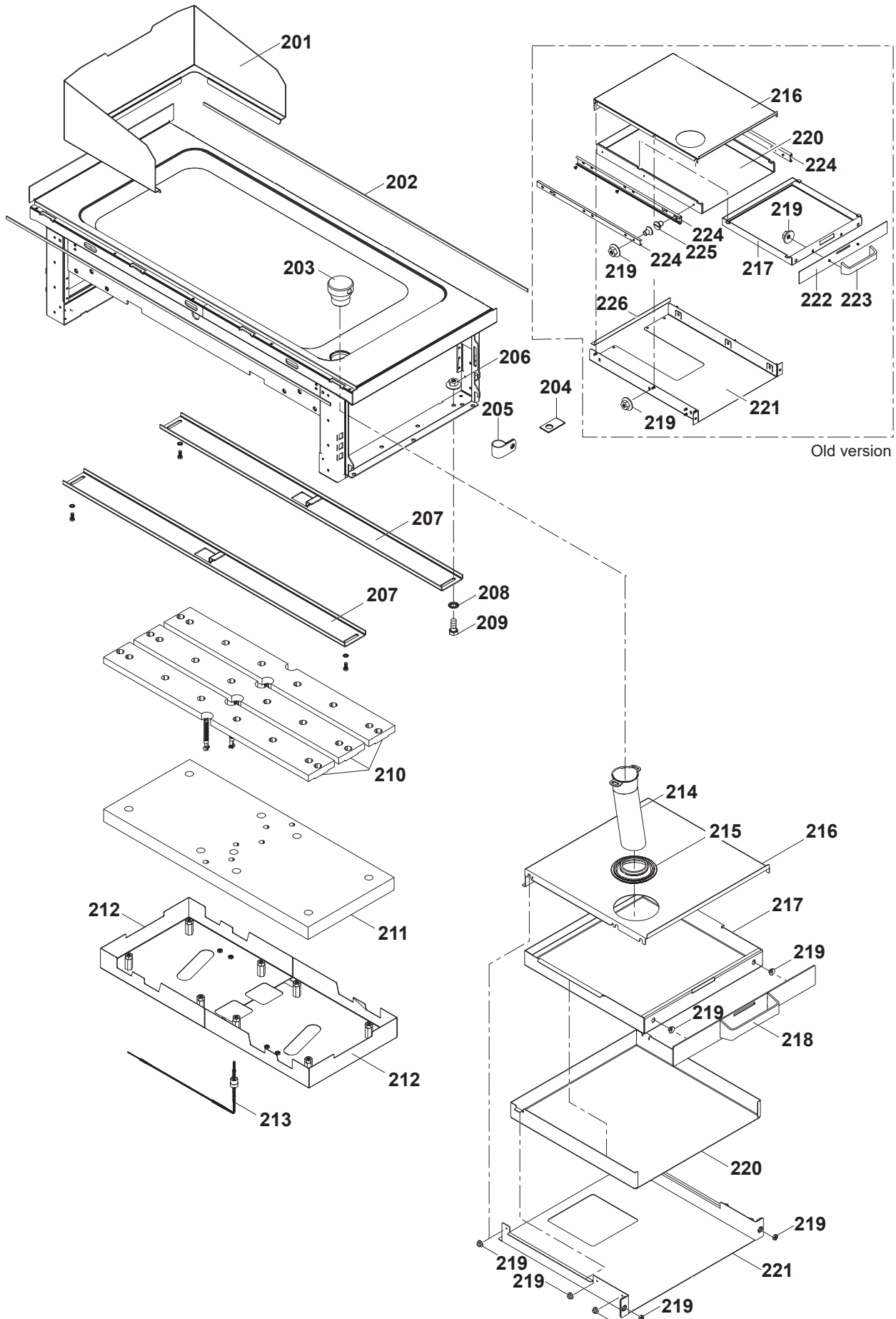
1	Alias	Code	Bezeichnung	Description	Ref.	Valid from Serial N°
101	82.3011	0G7433	Elektrobox	Electrical compartment	all 1 Zone	
102	82.7023	058613	Klemme FV122	Terminal FV122	all 1 Zone	
103	712 044961.17	OKT854	Kabeltülle Ø25/Ø31/Ø35x10	Cable: sleeve Ø25/Ø31/Ø35x10	all 1 Zone	
104	712 344362.01	0G5814	Sicherung 5x20 1A	Fuse 5x20 1A	all 1 Zone	
105	82.7093	056582	Halter Sicherung	Fuse holder	all 1 Zone	
106	75.5000.05	0C3750	Distanzhalter Kunststoff	Plastic spacer support	all 1 Zone	
107	82.7014.KD	0G6221	Mainboard SPARTA	Mainboard SPARTA	all 1 Zone	
108	82.9053	004269	Sicherheitsthermostat 360°C-25k	Safety thermostat 360°C-25k	all 1 Zone	
108	82.9535	0G8207	Sicherheitsthermostat 365°C UL	Safety thermostat 365°C UL	for USA	

1	Alias	Code	Bezeichnung	Description	Ref.	Valid from Serial N°
109	82.9014	OG6245	Schalter off-lin-stby + 10K Potentiometer	Switch off-lin-stby + 10K potentiometer	all 1 Zone	
110	82.7015	OG6246	Eurotas Display	Eurotas Display	a c d e g h w x	
110	82.7015	OG7091	Eurotas Display	Eurotas Display	a c d e g h w x	6351..
110	72.5938.04	OKI362	Anzeigelampe grün	Indicator light, green	b f	
110	72.5938.08	OKI364	Einsteckfassung grün/gelb Ø10mm	Lamp holder, green/yellow, Ø10mm	b f	
110	72.5938.03	OKI361	Anzeigelampe klar	Indicator light, clear	b f	
110	72.5938.07	OKI363	Einsteckfassung klar Ø10mm	Lamp holder, clear, Ø10mm	b f	
110	72.5938.10	OG8192	Glimmlampe grün UL	Indicator light green UL	for USA	
110	72.5938.11	OG4247	Glimmlampe klar UL	Indicator light clear UL	for USA	
111	82.1027.46	*	Bedienblende Frytop 400 (Schublade)	Control panel Frytop 400 (drawer)	a c w	
111	82.1027.47	*	Bedienbl. Frytop 400 (oh. Schublade)	Control panel Frytop 400 (no drawer)	d e g h x	
111	82.1049.47	*	Bedienbl. Frytop 400 (Schubl.) INOX	Contr. panel Frytop 400 (drawer) INOX	b	
111	82.1049.76	*	Bedienbl. Frytop 400 (oh. Schubl.) INOX	Contr. panel Frytop 400 (no draw.) INOX	f	
112	82.7009	OG6247	Dichtung Drehgriff	Sealing for handle	all 1 Zone	
112	82.7628	OG8603	Dichtung Drehgriff	Sealing for handle	colored M2M	
113	82.6637.01	OG7693	Drehgriff Kpl.	Handle complete kit	all 1 Zone	
113	82.6638.01	OG8620	Drehgriff Kpl.	Handle complete kit	colored M2M	
114	87.9204	OCB130	Sicherungshalter Schurter 6.3x32 500V	Fuse holder Schurter 6.3x32 500V	w x	
115	82.9171	OTTR73	Sicherung 6.3x32 0.63A 500V	Fuse 6.3x32 0.63A 500V	w x	
116	75.2012.01	OK5155	Sicherungsklemme	Fuse holder terminal	w x	
116	75.2012.02	OT2599	Sicherungsklemme Abschlusswand	Cover for fuse holder terminal	w x	
117	712 344362.01	OG5814	Sicherung 5x20 1A	Fuse 5x20 1A	w x	
118	1 115 1757	OG4645	Schütz K3-14x027 + K2-E230	Conductor K3-24x027 + K2-E230	w x	
119	82.9209	006710	Autotransformer 0-240-400-440V-150VA	Autotransformer 0-240-400-440V-150VA	w x	
120	82.7159	OG6274	Ventilator 60x60x25 622HH (3.5W)	Ventilator 60x60x25 622HH (3.5W)	all 1 Zone	
121	82.3009	*	Halteblech Ventilator	Cooling fan support	all 1 Zone	
121	1 701 1083	OG5755	Zylinderschraube M3x30	Socket cap screw M3x30	all 1 Zone	
121	1 701 3540	OKI478	Unterlegscheibe M3	Washer M3	all 1 Zone	
122	82.7023	058613	Klemme FV122	Terminal FV122	all 1 Zone	
123	82.9103	OG6424	Kabel: Haupterdraht L400 6mm²	Cable: main earthing L400 6mm²	all 1 Zone	
124	82.2809	OC0068	Kabelverschraubung PG21	Cable gland PG21	all 1 Zone	
125	82.9226	OG7024	Gegenmutter Kabelverschraubung PG21	Lock nut PG21	all 1 Zone	
	82.9009	OG6906	Kabel: SPARTA - Ventilator L2000	Cable: SPARTA - Ventilator L2000	all 1 Zone	
	82.9023	OG6961	Kabel: SPARTA - Display L500	Cable: SPARTA - Display L500	a c d e g h	
	82.9003	OG6899	Kabel: Potentiometer - Display L200	Cable: Potentiometer - Display L200	a c d e g h / for D800/900 USA	
	82.9025	OG7018	Kabel: X1 - Sicherung - Schalter	Cable: X1 - fuses - Switch	a c d e g h b f	
	82.9058	OG7019	Kabel: SPARTA - N - Schalter - P	Cable: SPARTA - N - switch - P	a c d e g h b f	
	82.9031	OG7020	Kabel: X1 - F2 Sparta - Heizungen	Cable: X1 - X2 SPARTA - heating elements	a c d e g h b f	
	82.9035.01	OG6982	Kabel: X0-X1 Hauptzuleit 5x1.5mm² L1500	Cable: X0-X1 mains 5x1.5mm² L1500	a c d e g h	
	82.9044.01	OG6965	Kabel: SPARTA - Potentiometer L450	Cable: SPARTA - Potentiometer L450	b f	
	82.9038.01	OG7182	Kabel: Anzeigelampen SI-HI-X1.N	Cable: indicator lights SI-HI-X1.N	b f	
	82.9057	OG7021	Kabel: Anzeigelampe - Relais L450	Cable: Indicator light - relay L450	b f	
	82.9221	OG7022	Kabel: Frytop 1/2 Modul Marine	Cable: Frytop 1/2 module marine	w x	
	82.9101	OG7023	Kabel: FV122 - Erdungsbolzen	Cable: FV122 - ground	w x	
	82.9260	OG8216	Kabel: UL Frytop 2Z	Cable: UL Frytop 2Z	for all types USA	
	82.9261	OG8218	Kabel: UL SPARTA - N - Schalter - P 2Z	Cable: UL SPARTA - N - switch - P 2Z	for all types USA	
	82.9528	OG8135	Kabel: UL SPARTA - Ventilator L2000	Cable: UL SPARTA - Ventilator L2000	for all types USA	
	82.9544	OG8219	Kabel: UL SPARTA - Display L500	Cable: UL SPARTA - Display L500	D800/900 for USA	
	82.9530	OG8188	Kabel: UL Display - Display L290	Cable: UL Display - Display L290	D800/900 for USA	
	82.9507.01	OG8220	Kabel: UL Schalter-S1-Schalter-S2 kurz	Cable: UL switch-S1-switch-S2 short	for all types USA	

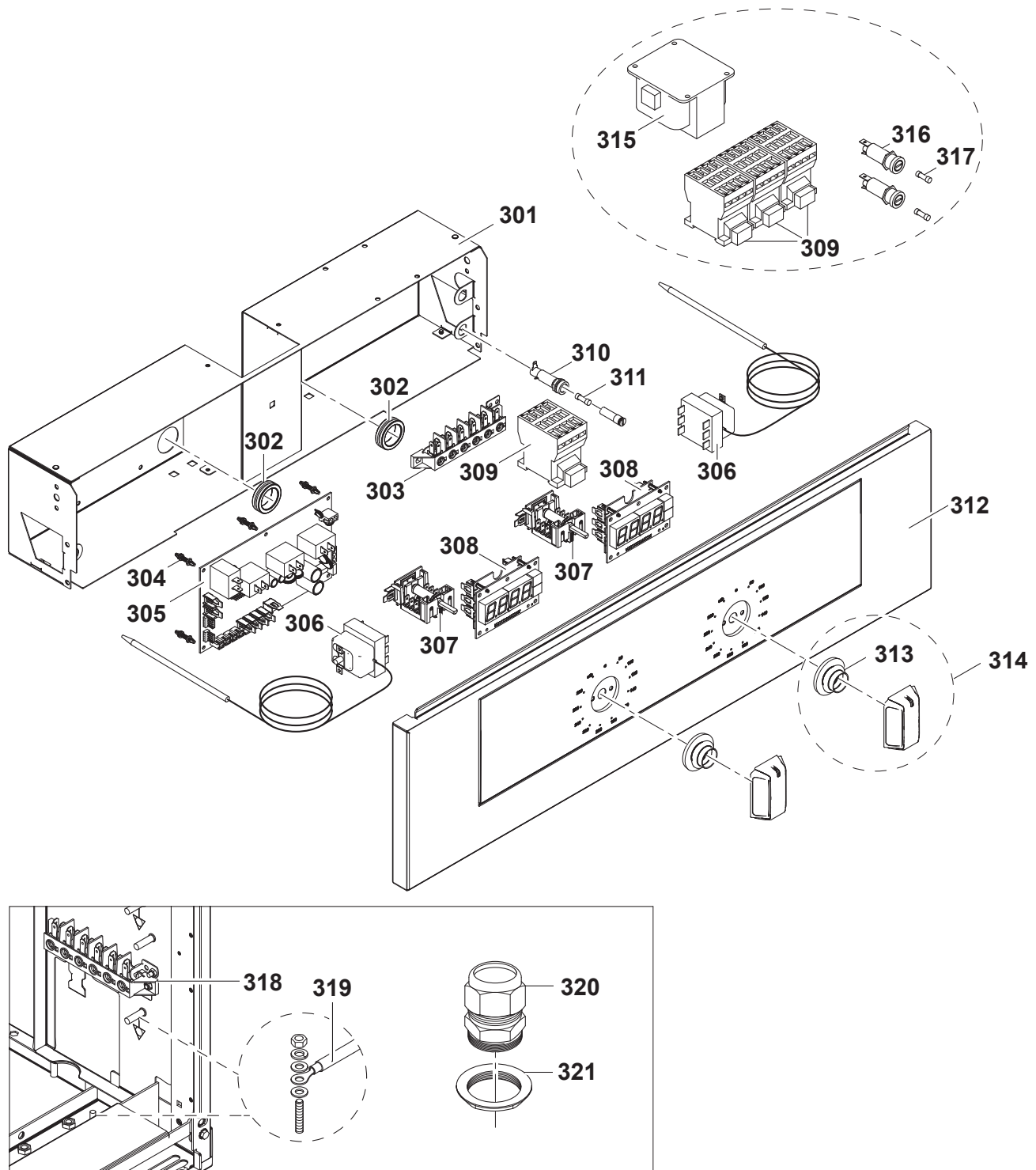
\* Components on demand  
\* Teile auf Anfrage

Doc. № 599A2AQ00 / 82.8090.03

Page: 5



2	Alias	Code	Bezeichnung	Description	Ref.	Valid from Serial N°
201	82.4292	0G7025	Spritzschutz	Splash protection	all 1 Zone	
202	82.7464	0C2496	Dichtband (Schaumstoff-Silikon, klebend)	Sealing strip	all 1 Zone	
203	82.7025	0C6384	Zapfen	Stopper	all 1 Zone	
204	76.4169	0G2819	Halter Begrenzer	Limiter support	all 1 Zone	
205	1 115 1635	0T1791	Abschirmschelle	Shield clamp	all 1 Zone	
206	712 044120.05	0G3998	Kepsmutter M5	Keps nut M5	all 1 Zone	
207	82.6504.03	*	Aufhängung Schublade D800	Drawer guide D800	all D800/H250	until 7391...
207	82.6732.03	0G8257	Aufhängung Schublade D800	Drawer guide D800	all D800	7401...
207	82.6504.04	*	Aufhängung Schublade D850	Drawer guide D850	all D850/H250	until 7391...
207	82.6732.04	0G8245	Aufhängung Schublade D850	Drawer guide D850	all D850	7401...
207	82.6504.05	*	Aufhängung Schublade D900	Drawer guide D900	all D900/H250	until 7391...
207	82.6732.05	0G8246	Aufhängung Schublade D900	Drawer guide D900	all D900	7401...
208	1 701 7002	0G2923	Fächerscheibe M5	Fan washer M5	all 1 Zone	
209	1 701 2509	0K4598	Sechskantschraube M5x12	Hex bolt M5x12	all 1 Zone	
210	86.7004.01	0G4604	Heizelement Alu 230V - 1.7kW	Heating element aluminium 230V - 1.7kW	all 1 Zone also for USA	
210	82.9033.02	0G7026	Kabel Blockheizung	Cable heating elements	all 1 Zone	
211	82.7078.01	*	Isolation Heizelement	Insulation heating element	all 1 Zone	
212	82.0552	*	Halter Heizung	Heating support	all 1 Zone	
213	879046	0G5934	Sensor TC links / grünes Kabel	Sensor TC left / green cable	all 1 Zone	
214	82.7375	0G7027	Ablaufrohr Tops 400 / 800	Drain pipe tops 400 / 800	all H250	
214	83.3706	0G6958	Ablaufrohr Units 400 / 800 (Marine)	Drain pipe units 400 / 800 (Marine)		
214	83.3706	0G6958	Ablaufrohr Units 400 / 800 (Marine)	Drain pipe units 400 / 800 (Marine)		5141...
214	82.7335	0G7028	Ablaufrohr Units 400 / 800	Drain pipe units 400 / 800		
215	82.2224	0C6200	Dichtungsmanschette D82x48	Sealing collar D82x48	all H250	
216	82.2977.04	0G8238	Schubladenabdeckung	Drawer cover	all 1 zone	7401...
216	82.2977.02	0G8236	Schubladenabdeckung	Drawer cover	2 zones-D850/D900	7401...
216	82.4280.04	0G7029	Schubladenabdeckung	Drawer cover	all H250	until 7391...
217	82.2973	0G8250	Schubladeneinsatz	Drawer insert		7401...
217	82.4281.02	0G7031	Schubladeneinsatz	Drawer insert	all H250	until 7391...
218	82.2972	0G8251	Frontblech komplet	Front panel complete		7401...
219	712 044120.04	0G4918	Kepsmutter M4	Keps nut M4	all H250	
220	82.2978	0G8252	Schubladenauszug	Drawer		7401...
220	82.4284.02	0G7030	Schubladenauszug	Drawer	all H250	until 7391...
221	82.2980	0G8253	Schubladenschacht	Drawer support		7401...
221	82.4279	0G7034	Schubladenschacht	Drawer support	all H250	until 7391...
221	82.2942		Schubladenschacht	Drawer support	all H250	from 7011... to 7391...
222	82.2279	0G7032	Frontblech Schublade	Front panel drawer	all H250	until 7391...
222	82.2941		Frontblech Schublade	Front panel drawer	all H250	from 7011... to 7391...
223	82.2209	0G7033	Griff	Handle	all H250	until 7391...
224	82.7201	0G6687	Führungsschiene	Rail	all H250	until 7391...
225	1 701 1145	0G6758	Senkkopfschraube M4x6	Counter sunk screw M4x6	all H250	until 7391...
226	82.4373	0G7035	Verstärkung Schublade	Reinforcement	all H250	until 7391...



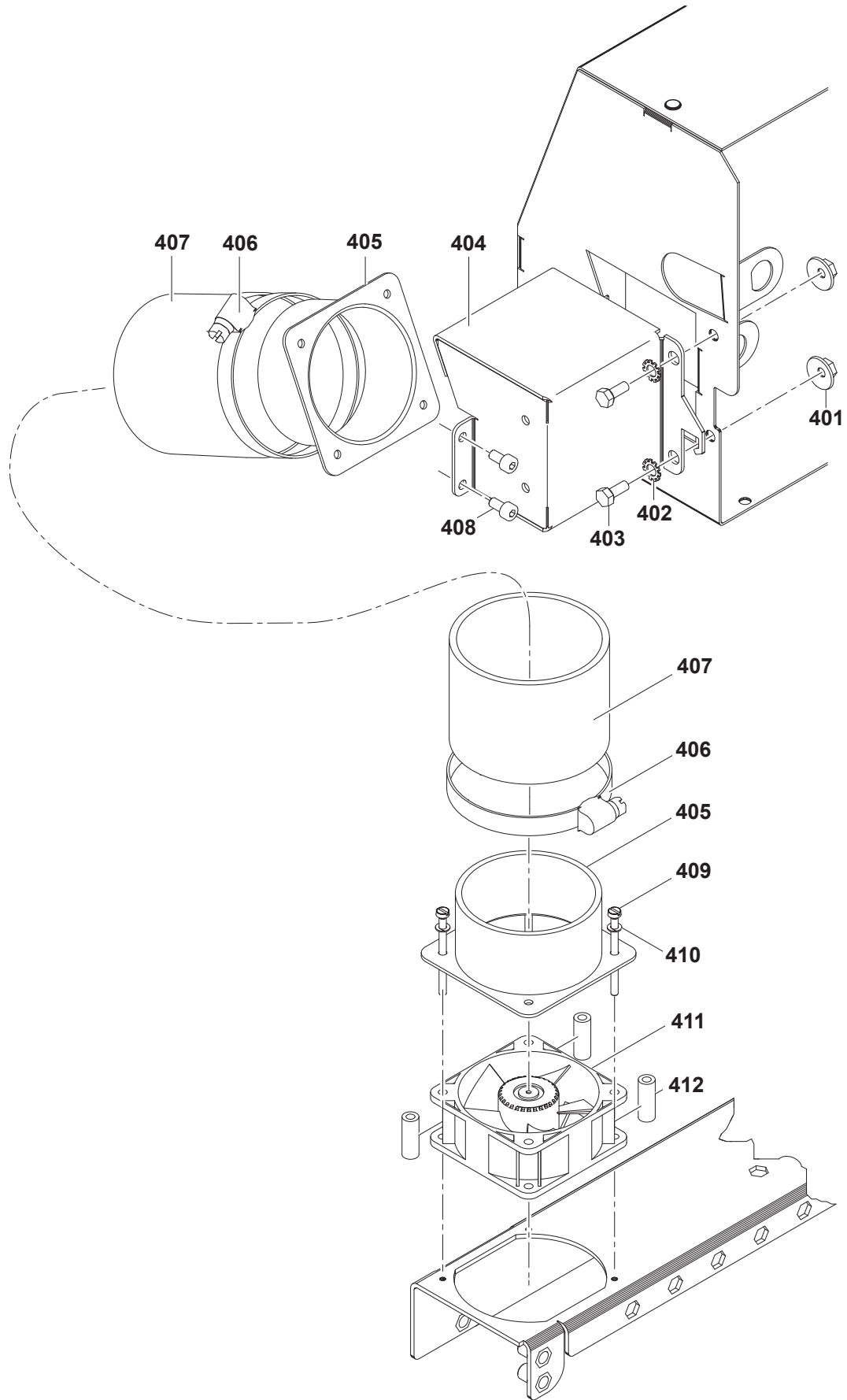
3	Alias	Code	Bezeichnung	Description	Ref.	Valid from Serial N°
301	82.3023	*	Elektrobox	Electrical compartment	all 2 Zone	
301	82.2936	*	Elektrobox	Electrical compartment	all 2 Zone	6281...
302	712 044961.17	OKT854	Kabeltülle Ø25/Ø31/Ø35x10	Cable: sleeve Ø25/Ø31/Ø35x10	all 2 Zone	
303	82.7023	058613	Klemme FV122	Terminal FV122	all 2 Zone	
304	75.5000.05	0C3750	Distanzhalter Kunststoff	Plastic spacer support	all 2 Zone	
305	82.7014.KD	0G6221	Mainboard SPARTA	Mainboard SPARTA	all 2 Zone	
305	712 344362.01	0G5814	Sicherung 5x20 1A	Fuse 5x20 1A	all 2 Zone	
305	82.7093	056582	Halter Sicherung	Fuse holder	all 2 Zone	
306	82.9053	004269	Sicherheitsthermostat 360°C-25k	Safety thermostat 360°C-25k	all 2 Zone	
306	82.9535	0G8207	Sicherheitsthermostat 365°C UL	Safety thermostat 365°C UL	for USA	

3	Alias	Code	Bezeichnung	Description	Ref.	Valid from Serial N°
307	82.9014	0G6245	Schalter off-lin-stby + 10K Potentiometer	Switch off-lin-stby + 10K potentiometer	all 2 Zone	
308	82.7015	0G6246	Eurotas Display	Eurotas Display	k m n p q r y z	
308	82.7015	0G7091	Eurotas Display	Eurotas Display	k m n p q r y z	6351..
308	72.5938.04	0K1362	Anzeigelampe grün	Indicator light, green	l o	
308	72.5938.08	0K1364	Einsteckfassung grün/gelb Ø10mm	Lamp holder, green/yellow, Ø10mm	l o	
308	72.5938.03	0K1361	Anzeigelampe klar	Indicator light, clear	l o	
308	72.5938.07	0K1363	Einsteckfassung klar Ø10mm	Lamp holder, clear, Ø10mm	l o	
309	1 115 1757	0G4645	Schütz K3-14x027 + K2-E230	Conductor K3-24x027 + K2-E230	all 2 Zone	
309	82.9262	0C5051	Schütz K3-32A00 180 USA	Conductor K3-32A00 180 USA	for USA	
310	82.7093	056582	Sicherungshalter	Fuse holder	all 2 Zone	
311	712 344362.01	0G5814	Sicherung 5x20 1A	Fuse 5x20 1A	all 2 Zone	
312	82.1027.48	*	Bedienblende Frytop 800 (Schublade)	Control panel Frytop 800 (drawer)	k m y	
312	82.1027.49	*	Bedienbl. Frytop 800 (oh. Schublade)	Control panel Frytop 800 (no drawer)	n p q r z	
312	82.1049.48	*	Bedienbl. Frytop 800 (Schubl.) INOX	Contr. panel Frytop 800 (drawer) INOX	l	
312	82.1049.77	*	Bedienbl. Frytop 800 (oh. Schubl.) INOX	Contr. panel Frytop 800 (no draw.) INOX	o	
312	82.1027.210	0G8221	Bedienbl. Frytop 800 (Schubl.) °F	Contr. panel Frytop 800 (drawer) °F	for USA	
312	82.1027.207	0G8142	Bedienbl. Frytop 800 (oh. Schubl.) °F	Contr. panel Frytop 800 (no draw.) °F	for USA	
313	82.7009	0G6247	Dichtung Drehgriff	Sealing for handle	all 2 Zone	
313	82.7628	0G8603	Dichtung Drehgriff	Sealing for handle	colored M2M	
314	82.6637.01	0G7693	Drehgriff Kpl.	Handle complete kit	all 2 Zone	
314	82.6638.01	0G8620	Drehgriff Kpl.	Handle complete kit	colored M2M	
315	82.9209	006710	Autotransformer 0-240-400-440V-150VA	Autotransformer 0-240-400-440V-150VA	y z	
316	87.9204	0CB130	Sicherungshalter Schurter 6.3x32 500V	Fuse holder Schurter 6.3x32 500V	y z	
317	82.9171	0TTR73	Sicherung 6.3x32 0.63A 500V	Fuse 6.3x32 0.63A 500V	y z	
318	82.9065	0G6668	Klemme FV122 V/V	Terminal FV122 V/V	all 2 Zone	
318	82.9101	0G7023	Kabel: Klemme FV122 V/V Erdungsbolz.	Cable: terminal FV122 V/V ground bolt	all 2-Zone	
319	82.9103	0G6424	Kabel: Haupterdtraht L400 6mm²	Cable: main earthing L400 6mm²	all 2 Zone	
320	82.2809	0C0068	Kabelverschraubung PG21	Cable gland PG21	all 2 Zone	
321	82.9226	0G7024	Gegenmutter Kabelverschraubung PG21	Lock nut PG21	all 2 Zone	
	82.9009	0G6906	Kabel: SPARTA - Ventilator L2000	Cable: SPARTA - Ventilator L2000	all 2 Zone	
	82.9199	0G6956	Kabel: Frytop Full Modul Marine	Cable: Frytop 1/2 module marine	y z	
	82.9023	0G6961	Kabel: SPARTA - Display L500	Cable: SPARTA - Display L500	k m n p q r	
	82.9002	0G6897	Kabel: Display - Display	Cable: Display - Display	k m n p q r	
	82.9003	0G6899	Kabel: Potentiometer - Display L200	Cable: Potentiometer - Display L200	k m n p q r/ for D800/900 USA	
	82.9025	0G7018	Kabel: X1 - Sicherung - Schalter	Cable: X1 - fuses - Switch	k l m n o p q r	
	82.9058	0G7019	Kabel: SPARTA - N - Schalter - P	Cable: SPARTA - N - switch - P	k l m n o p q r	
	82.9022.01	0G7036	Kabel: S1 - Sicherung - S2 kurz	Cable: S1 - fuse - S2 short	k l m n o p q r	
	82.9036	0G7037	Kabel: X1 - Schütz - Sparta	Cable: X1 - Conductor - Sparta	k l m n o p q r	
	82.9031	0G7020	Kabel: X1 - F2 - Sparta Heizungen	Cable: X1 - X2 - SPARTA heating elements	k l m n o p q r	
	82.9032	0G7038	Kabel: X1 - F3 - K2 - Heizungen	Cable: X1 - F3 - K2 - heating elements	k l m n o p q r	
	82.9038.01	0G7182	Kabel: Anzeigelampen S1-H1-X1.N	Cable: indicator lights S1-H1-X1.N	l o	
	82.9038.02	0G7183	Kabel: Anzeigelampen S2-H2-X1.N	Cable: indicator lights S2-H2-X1.N	l o	
	82.9057	0G7021	Kabel: Anzeigelampe - Relais L450	Cable: Indicator light - relay L450	l o	
	82.9049.02	0G6967	Kabel: Anzeigelampen K2-H6	Cable: Indicator lights K2-H6	l o	
	82.9035.01	0G6982	Kabel: X0-X1 Hautzuleit 5x1.5mm² LI500	Cable: X0-X1 mains 5x1.5mm² LI500	k l m n o p q r	
	82.9260	0G8216	Kabel: UL Frytop 2Z	Cable: UL Frytop 2Z	for all types USA	
	82.9261	0G8218	Kabel: UL SPARTA - N - Schalter - P 2Z	Cable: UL SPARTA - N - switch - P 2Z	for all types USA	
	82.9528	0G8135	Kabel: UL SPARTA - Ventilator L2000	Cable: UL SPARTA - Ventilator L2000	for all types USA	
	82.9544	0G8219	Kabel: UL SPARTA - Display L500	Cable: UL SPARTA - Display L500	D800/900 for USA	
	82.9530	0G8188	Kabel: UL Display - Display L290	Cable: UL Display - Display L290	D800/900 for USA	
	82.9507.01	0G8220	Kabel: UL Schalter-S1-Schalter-S2 kurz	Cable: UL switch-S1-switch-S2 short	for all types USA	

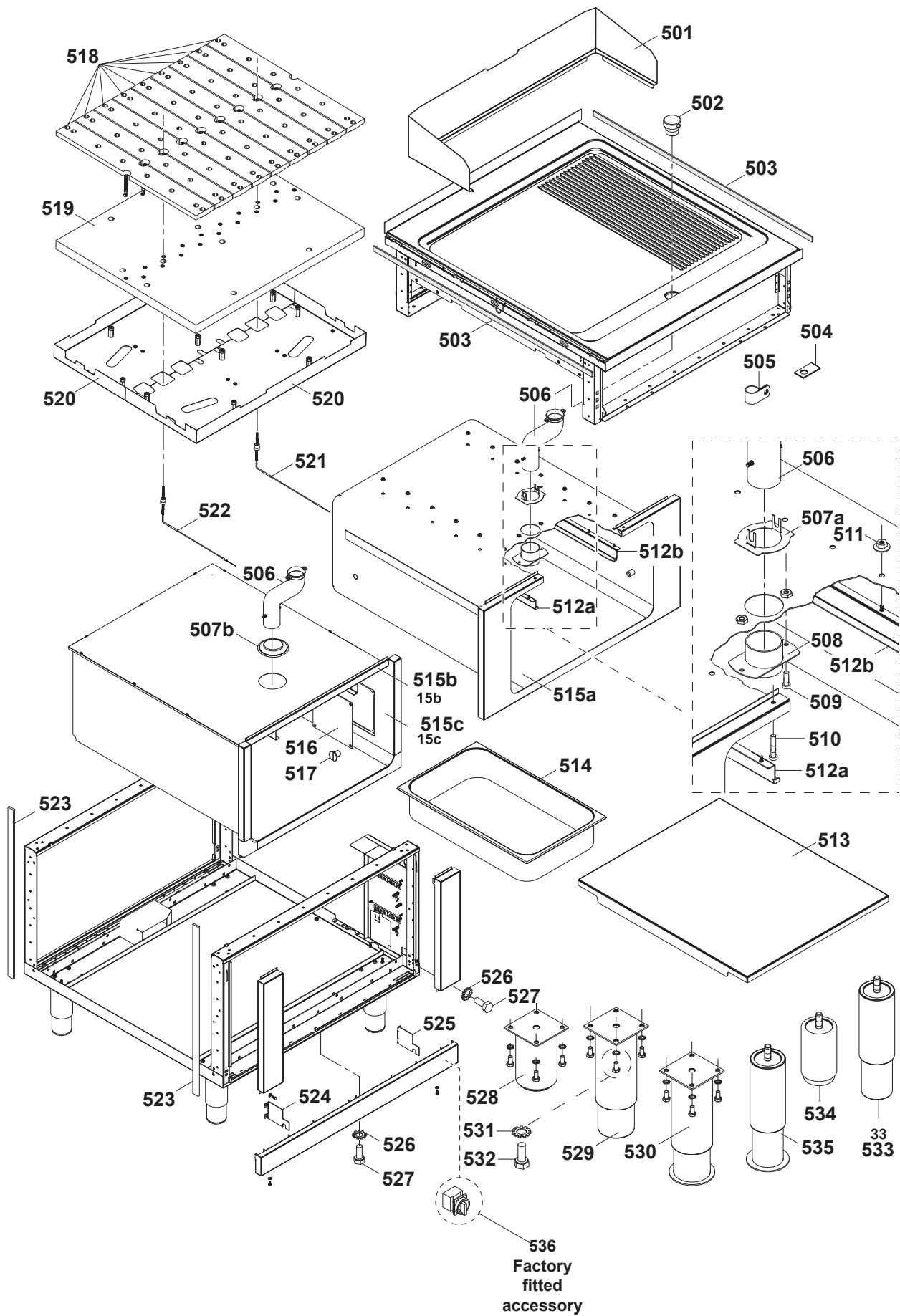
\* Components on demand  
\* Teile auf Anfrage

Doc. № 599A2AQ00 / 82.8090.03

Page: 9







5	Alias	Code	Bezeichnung	Description	Ref.	Valid from Serial N°
501	82.4304	0G7039	Spritzschutz	Splash protection	all types	
501	83.2344	0G8222	Spritzschutz UL	Splash protection UL	for USA	
502	82.7025	0G6384	Zapfen	Stopper	all types	
503	82.7464	0C2496	Dichtband (Schaumstoff-Silikon, klebend)	Sealing strip	all types	
504	76.4169	0G2819	Halter Begrenzer	Limiter support	all types	
505	1 115 1635	0T1791	Abschirmschelle	Shield clamp	all types	
506	82.7375	0G7027	Ablaufrohr Tops 400 / 800	Drain pipe tops 400 / 800	all H250	
506	83.3706	0G6958	Ablaufrohr Units 400 / 800 (Marine)	Drain pipe units 400 / 800 (Marine)	x z	
506	83.3706	0G6958	Ablaufrohr Units 400 / 800 (Marine)	Drain pipe units 400 / 800 (Marine)	x z	5141...
506	82.7335	0G7028	Ablaufrohr Units 400 / 800	Drain pipe units 400 / 800	n o p q r	
507a	82.0707	0G7040	Spritzschutzdeckel zu Ablauf (Marine)	Splash protection for drain (Marine)	x z	
507b	82.2224	0C6200	Dichtungsmanschette	Sealing collar	k l m n o p q r y	
508	83.3748	0G6957	Stutzen zu Ablauf	Drain flange	x z	
509	1 701 1069	0G6959	Flachkopfschraube M5x12	Flat head screw M5x12	x z	
510	1 701 1150	0G7041	Flachkopfschraube M5x45	Flat head screw M5x45	x z	
511	712 044120.04	0G4918	Kepsmutter M4	Keps nut M4	x z	
512a	82.0265.01	0G7272	Halter GN-Schale links (Marine)	GN container suport left	x z	
512b	82.0265.03	0G7273	Halter GN-Schale rechts (Marine)	GN container suport right	x z	
513	83.3718.01	0G6890	Tablar 400 für H3 Korpus	Shelf for 400 H3 corpus	x	
513	83.3718.02	0G6891	Tablar 700 für H3 Korpus	Shelf for 700 H3 corpus	z	
514	1 110 1355	0S1733	Schale 1/1 GN H100	Container GN 1/1 H100	2Zone/H700/800	
514	82.7333	0G7382	Schale 1/3GN H100	Container GN 1/3 H100	1Zone/H700/800	
515a	83.3704.02	0G7198	Korpus Marine Frytop W800/D900	Corpus marine frytop W800/D900	z	
515a	83.3704.03	0G7199	Korpus Marine Frytop W400/D900	Corpus marine frytop W400/D900	x	
515b	82.0101.08	0G7042	Deckel zu Korpus H2 W800/D800/850	Top cover corpus H2 W800/D800/850	n o p	
515b	82.0101.09	0G7043	Deckel zu Korpus H2 W800/D900	Top cover corpus H2 W800/D900	q r	
515b	82.0101.05	0G7044	Deckel zu Korpus H2 W400/D800/850	Top cover corpus H2 W400/D800/850	d e f	
515b	82.0101.06	0G7045	Deckel zu Korpus H2 W400/D900	Top cover corpus H2 W400/D900	g h	
515c	82.0220.11	0G7046	Korpus H2 W800/D800+900	Corpus H2 W800/D800+900	n o q r	
515c	82.2436.09	0G7047	Korpus NHC W800/D850	Corpus NHC W800/D850	p	
515c	82.0220.01	0G7048	Korpus H2 W400/D800+900	Corpus H2 W400/D800+900	d e g h	
515c	82.2436.02	0G7049	Korpus NHC W400/D850	Corpus NHC W400/D850	f	
516	82.0223.01	0G6757	Deckel Servicefenster	Cover plate	d e f g h n o q r	
517	1 701 1145	0G6758	Senkkopfschraube M4x6	Countersunk screw M4x6	d e f g h n o q r	
518	86.7004.01	0G4604	Heizelement Alu 230V - 1.7kW	Heating element aluminium 230V - 1.7kW	all 2 Zone also for USA	
518	82.9033.02	0G7026	Kabel Blockheizung 3	Cable heating element	all 2 Zone	
518	82.9034.02	0G7051	Kabel Blockheizung	Cable heating element	all 2 Zone	
519	82.7078.02	0G7052	Isolation 800	Insulation 800	all 2 Zone	
520	86.3018	0G4881	Halteblech Isolation	Insulation support sheet	all 2 Zone	
521	87.9045	0G5935	TC Boden Sensor rechts (blaues Kabel)	TC bottom sensor right (blue cable)	all 2 Zone	
522	87.9046	0G5934	TC Boden Sensor links (grünes Kabel)	TC bottom sensor left (green cable)	all 2 Zone	
523	82.7467	0C7307	Dichtung 5mm	Sealing sides 5mm	all types	5101...
524	82.0114.01	0G7053	Abgrenzungsblech Frischluft links H700	Aeration sheet left H700	all H700	
524	82.0114.11	0G7054	Abgrenzungsblech Frischluft links H800	Aeration sheet left H800	all H800	
525	82.0114.02	0G7055	Abgrenzungsblech Frischluft rechts H700	Aeration sheet right H700	all H700	
525	82.0114.12	0G7056	Abgrenzungsblech Frischluft rechts H800	Aeration sheet right H800	all H800	
526	1 701 7002	0G2923	Fächerscheibe M5	Fan washer M5	all H700/800	
527	1 701 2579	0G4020	Sechskantschraube M5x16	Hex bolt M5x16	all H700/800	
528	86.2385	0G6140	Stellfuß 2" 100mm	Adjustable feet 2" 100mm	all H800	
529	86.0001	0G5391	Stellfuß 2" 145-252mm rund	Adjustable feet 2" 145-252mm, round	d f g n q	
530	83.3728	0G6886	Stellfuß 2" Marine 145-252mm	Adjustable feet 2" Marine 145-252mm	x z	
531	1 701 5051	0G6753	Fächerscheibe M6	Fan washer M6	all types	
532	1 701 2600	0KT919	Sechskantschraube M6x12	Hex bolt M6x12	all types	
533	82.0350.01	0G7958	Fuss M10 200m	Foot M10 200mm	d f g n q	7141...
534	82.0350.02	0G7957	Fuss M10 100m	Foot M10 100mm	all H800	7141...
535	82.0350.03	0G9239	Fuss M10 200m Marine	Foot M10 200mm Marine	x z	7141...
536	76.9164.01	0G2137	Hauptschalter 25A	Main switch 25A	H800	8041...

\* Components on demand  
\* Teile auf Anfrage

Doc. № 599A2AQ00 / 82.8090.03

Page: 13

