

DE EL. KOCH- UND BRATPLATTEN 2 ZONES & 4 ZONES
EN EL. FREE COOKING TOPS/UNITS 2 ZONES & 4 ZONES

Half module (2 Zones)

PNC	Factory Model	Ref.	Description
588322	MATAAAEOAO	a	EL. FREE COOKING TOP, 500X800X250H
588323	MATAABEOAO	a	EL. FREE COOKING TOP, C-BOARD, 500X800X250H
588378	MATDEAEDAO	b	EL. FREE COOKING UNIT, 500X800X700H
588379	MATDEBEDAO	b	EL. FREE COOKING UNIT, C-BOARD, 500X800X700H
588382	MATDFAEDAO	c	EL. FREE COOKING UNIT, 500X800X800H
588383	MATDFBEDAO	c	EL. FREE COOKING UNIT, C-BOARD, 500X800X800H
588549	MBTABBEAO	d	EL. FREE COOKING TOP, C-BOARD, 500X850X250H
588677	MBTDGBEDAO	e	EL. FREE COOKING UNIT, 1S, C-BOARD, 500X850X700H
589126	MCTAAAEAO	f	EL. FREE COOKING TOP, 500X900X250H
589127	MCTAABEOAO	f	EL. FREE COOKING TOP, C-BOARD, 500X900X250H
589572	MCTDEAEDAO	g	EL. FREE COOKING UNIT, 500X900X700H
589573	MCTDEBEDAO	g	EL. FREE COOKING UNIT, C-BOARD, 500X900X700H
589576	MCTDFAEDAO	h	EL. FREE COOKING UNIT, 500X900X800H
589577	MCTDFBEDAO	h	EL. FREE COOKING UNIT, C-BOARD, 500X900X800H
589890	MCTAAAEODM	k	MARINE* FREE COOKING TOP, 500X900X250H
589892	MCTLEAEIDM	l	MARINE* FREE COOKING UNIT, H3, 500X900X700H

Valid from Ser. N° 3101....

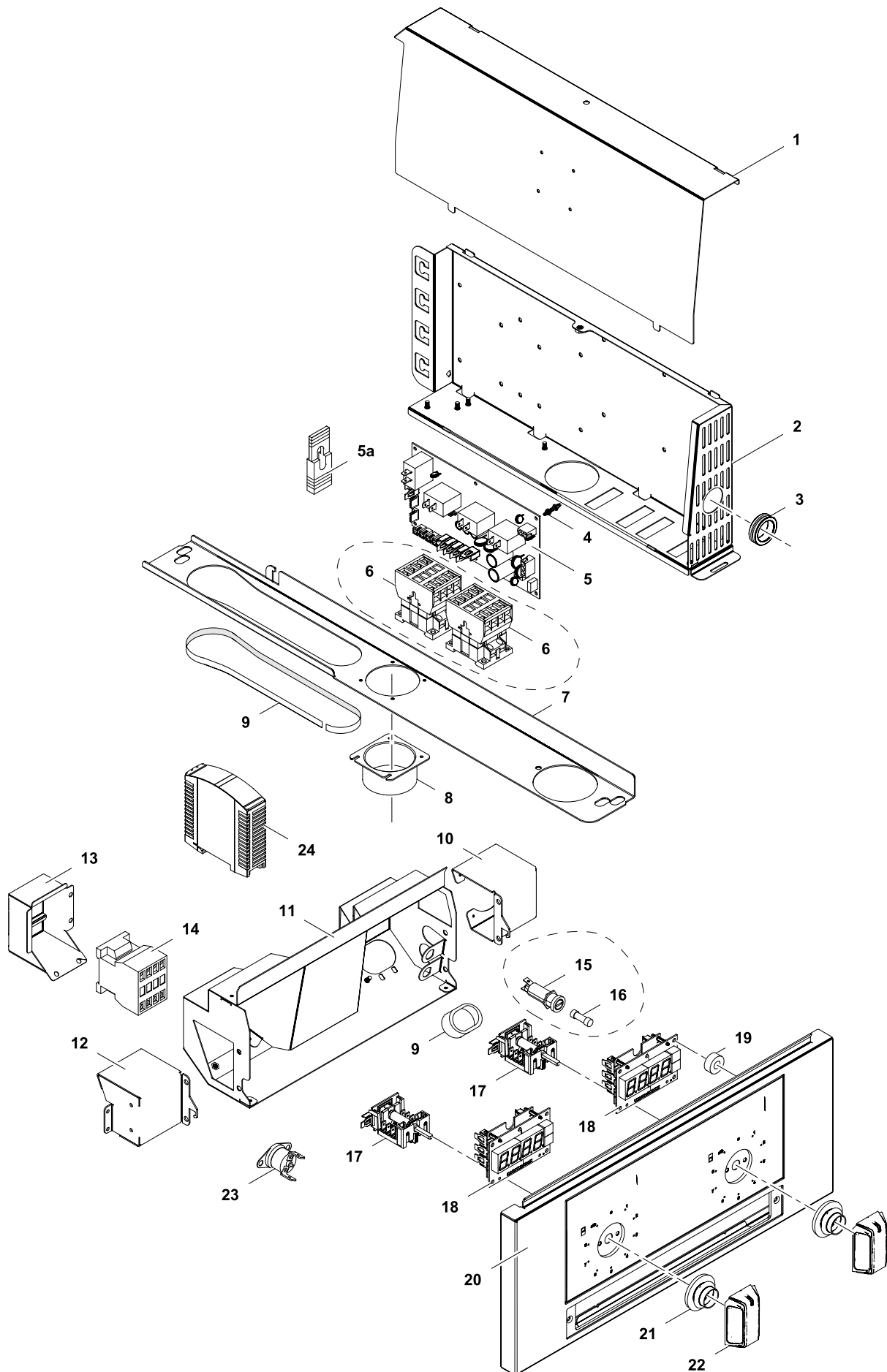
Full module (4 Zones)

PNC	Factory Model	Ref.	Description
588324	MATCAAHOAO	m	EL. FREE COOKING TOP, 800X800X250H
588325	MATCABHOAO	m	EL. FREE COOKING TOP, C-BOARD, 800X800X250H
588380	MATFEAHDAO	n	EL. FREE COOKING UNIT, 800X800X700H
588381	MATFEBHDAO	n	EL. FREE COOKING UNIT, C-BOARD, 800X800X700H
588384	MATFFAHDAO	o	EL. FREE COOKING UNIT, 800X800X800H
588385	MATFFBHDAO	o	EL. FREE COOKING UNIT, C-BOARD, 800X800X800H
588551	MBTCBBHOAO	p	EL. FREE COOKING TOP, C-BOARD, 800X850X250H
588678	MBTFGBHDAO	q	EL. FREE COOKING UNIT, C-BOARD, 800X850X700H
589130	MCTCAAJOAO	r	EL. FREE COOKING TOP, 1000X900X250H
589131	MCTCABJOAO	r	EL. FREE COOKING TOP, C-BOARD, 1000X900X250H
589574	MCTFEAJDAO	s	EL. FREE COOKING UNIT, 1000X900X700H
589575	MCTFEBJDAO	s	EL. FREE COOKING UNIT, C-BOARD, 1000X900X700H
589578	MCTFFAJDAO	t	EL. FREE COOKING UNIT, 1000X900X800H
589579	MCTFFBJDAO	t	EL. FREE COOKING UNIT, C-BOARD, 1000X900X800H
589891	MCTCAAJODM	u	MARINE* FREE COOKING TOP, 1000X900X250H
589893	MCTMEAJIDM	v	MARINE* FREE COOKING UNIT, H3, 1000X900X700H

Valid from Ser. N° 3101...

Page	Index
4	Electrical components 2 zones
6	Mechanical module 2 zones
8	Electrical compartment 4 zones
10	Sparta box 4 zones
12	Mechanical module 4 zones
14	Drain and base *Standard H2
16	Rolling racks, drain and base *Marine H3
18	Aeration kit
20	Old grease drawer
22	New grease drawer
24	Terminal

Last Updates	Page	Pos.
12/2015	all	
01/2017	all	
04/2017	all	
11/2017	5/9	15/10
01/2018	5, 7, 8, 9, 11, 13	added spare parts "for USA"
02/2018	22, 23	new drawer

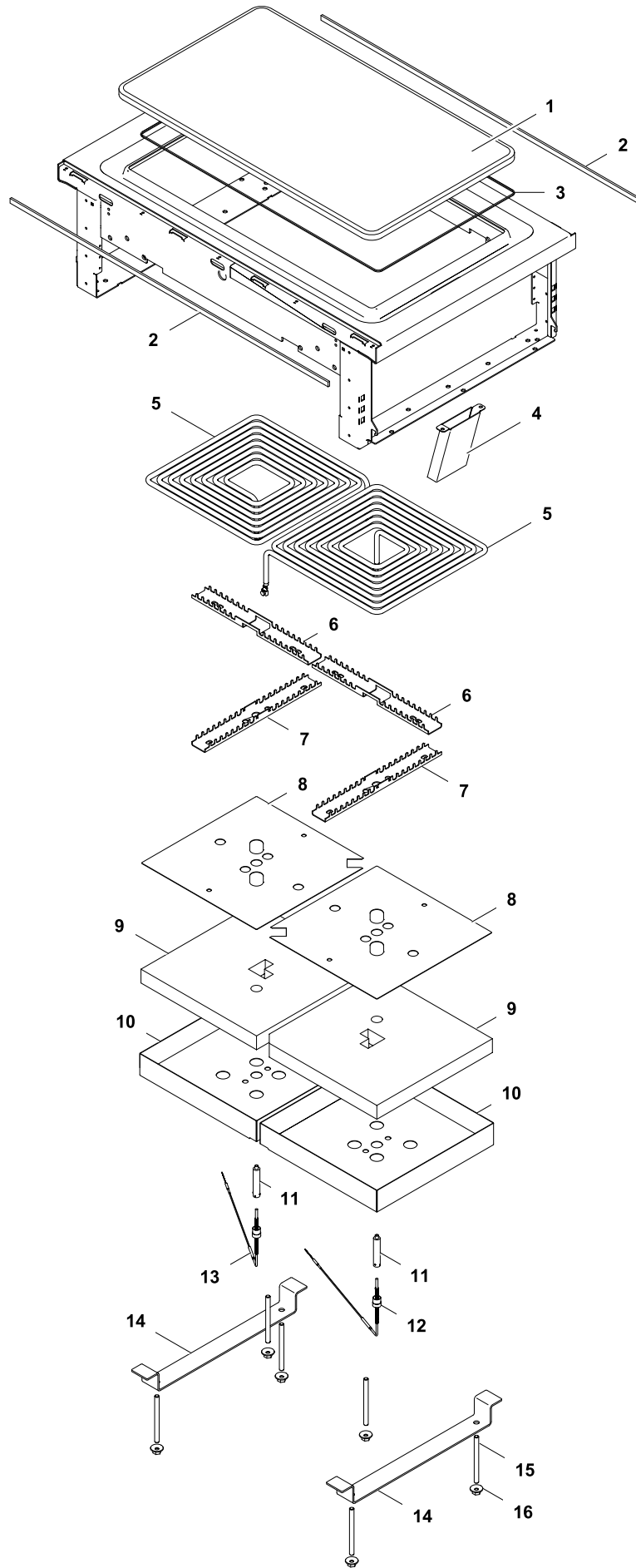


1	Alias	Code	Bezeichnung	Description	Ref.	Valid from Serial N°
1	82.3042	*	Deckel Elektrobox Sparta	Top cover Sparta box	all 2Zone	
2	82.3041	*	Elektrobox Sparta	Sparta box	all 2Zone	
3	712 044961.17	OKT854	Kabeltülle Ø25/Ø31/Ø35x10	Cable: sleeve Ø25/Ø31/Ø35x10	all 2Zone	
4	75.5000.05	OC3750	Distanzhalter Kunststoff	Plastic spacer support	all 2Zone	
5	82.7014.KD	OG6221	Mainboard SPARTA	Mainboard SPARTA	all 2Zone	
5a	879191	OG7123	Jumper	Jumper	all 2Zone	
6	1 115 1757	OG4645	Schütz K3-14x027 + K2-E230	Conductor K3-24x027 + K2-E230	2Zone Marine	
7	82.3040.01	*	Schiene Spatabox D800	Guide track D800	2Zone /D800	
	82.3040.02	*	Schiene Spatabox D850	Guide track D850	2Zone /D850	
	82.3040.03	*	Schiene Spatabox D900	Guide track D900	2Zone /D900	
8	82.7550.01	OG7868	Rohrstutzen gerade	Pipe socket straight	all 2Zone	
9	1 201 2086	OG4872	Kantenschutz	Edge protection	all 2Zone	
10	82.3002	OG7450	Ventilationsbox rechts	Aeration box right	all 2Zone	
11a	82.3037	*	Electrobox Solid Top	Electrical compartment	all 2Zone	
12	82.3001	*	Ventilationsbox links	Aeration box left	all 2Zone	
13	82.3048	OG7230	Aufsteckblech	Conductor box	all 2Zone	
14	1 115 1752	006879	Schütz K3-18N10	Conductor K3-18N10	all 2Zone	
	82.9555	OL0430	Schütz K3-18A10 180	Conductor K3-18A10 180	for USA	
15	87.9204	OCB130	Sicherungshalter Schurter 6.3x32 500V	Fuse holder Schurter 6.3x32 500V	2Zone Marine	
16	82.9171	OTTR73	Sicherung 6.3x32 0.63A 500V	Fuse 6.3x32 0.63A 500V	2Zone Marine	
17	82.9014	OG6245	Schalter off-Lin-Stby + 10k Poti	Switch off-Lin-Stby + 10k poti	all 2Zone	
18	82.7015	OG6246	Eurotas Display	Eurotas Display	D800/D900	
	82.7015	OG7091	Eurotas Display	Eurotas Display	D800/D900	6101...
	72.5938.04	OKI362	Anzeigelampe grün	Indicator light, green	D850	
	72.5938.08	OKI364	Einsteckfassung grün/gelb Ø10mm	Lamp holder, green/yellow, Ø10mm	D850	
	72.5938.03	OKI361	Anzeigelampe klar	Indicator light, clear	D850	
	72.5938.07	OKI363	Einsteckfassung klar Ø10mm	Lamp holder, clear, Ø10mm	D850	
19	76.3011.01	OG3093	Distanzhalter 8mm	Spacer 8mm	all 2Zone	
20	82.1027.114	*	Bedienblende 500 (Schublade)	Control panel 500 (drawer)	a f k	
	82.1027.51	*	Bedienbl. 500 (oh. Schublade)	Control panel 500 (no drawer)	b c g h l	
	82.1049.51	*	Bedienbl. 500 (Schubl.) INOX	Contr. panel 500 (drawer) INOX	d	
	82.1049.78	*	Bedienbl. 500 (oh. Schubl.) INOX	Contr. panel 500 (no draw.) INOX	e	
21	82.7009	OG6247	Dichtung Drehgriff	Sealing for handle	all 2Zone	
22	82.9124.01	OG6369	Drehgriff mit Adapter 0°x6.0	Handle with adapter 0°x6.0	all 2Zone	
23	82.9062	OG6231	Temperaturthermostat 50 (Klickson)	Temperature thermostat 50 (Klickson)	all 2Zone	
24	82.9030	OG6075	DC Power Supply 12V	DC Power Supply 12V	all 2Zone	
	82.9001	OG6461	Kabel: Sparta - Display L2200	Cable: Sparta - Display L2200	D800/900 Standard	
	82.9021	OCA121	Kabel: Display - Display L2800	Cable: Display - Display L290	D800/900 Standard	
	82.9003	OG6899	Kabel: Potentiometer - Dispaly L200	Cable: Potentiometer - Dispaly L200	D800/900 Standard	
	82.9009	OG6906	Kabel: Sparta - Ventilator L2000	Cable: Sparta - Ventilator L2000	2Zone Standard	
	82.9137	OG7197	Kabel: Ventilator - Ventilator	Cable: Ventilator - Ventilator	2Zone Standard	
	82.9077	OG7185	Kabel: X0 - RL - Heizung 3kW	Cable: X0 - RL - Heating 3kW	2Zone Standard	
	82.9083	OG7193	Kabel: Sparta - N - Schalter - P	Cable: Sparta - N - Switch - P	2Zone Standard	
	82.9224.01		Kabel: Schalter - Contactor KS	Cable: Switch - Contactor KS	2Zone Standard	
	82.9044.02	OG6181	Kabel: Sparta - Potentiometer	Cable: Sparta - Potentiometer	2Zone D850	
	82.9081	OG7191	Kabel: Sparta - N - Schalter P	Cable: Sparta - N - Switch - P	2Zone D850	
	82.9113.01	OG7355	Kabel: Anzeigelampe-A5 FCT	Cable: Indicator light -A5 FCT	2Zone D850	
	82.9213	OG7007	Kabelbaum 2Z Marine	Wiring harness 2Z Marine	2Zone Marine	
	82.9002	OG6897	Kabel: Display - Display L290	Cable: Display - Display L290	D800/D900	
	82.9284.01		Kabel: Solidtop Stromversorgung 1S	Cable: Solidtop Power Supply 1S	2Zone 1-side	
	82.9284.02		Kabel: Solidtop Stromversorgung 2S	Cable: Solidtop Power Supply 2S	2Zone 2-sides	
	82.9234		Kabel: X0 - RL - Heizung 2Z 3kW	Cable: X0 - RL - Heating 2Z 3kW	2Zone Standard	
	82.9086	OG7279	Kabel: Sparta - N - Schalter P	Cable: Sparta - N - Switch - P	2Zone 2-sides	
	82.9214		Kabel: 2 Zonen 2-seitig Marine	Cable: 2 zones 2-sides Marine	2Zone 2-sides Marine	

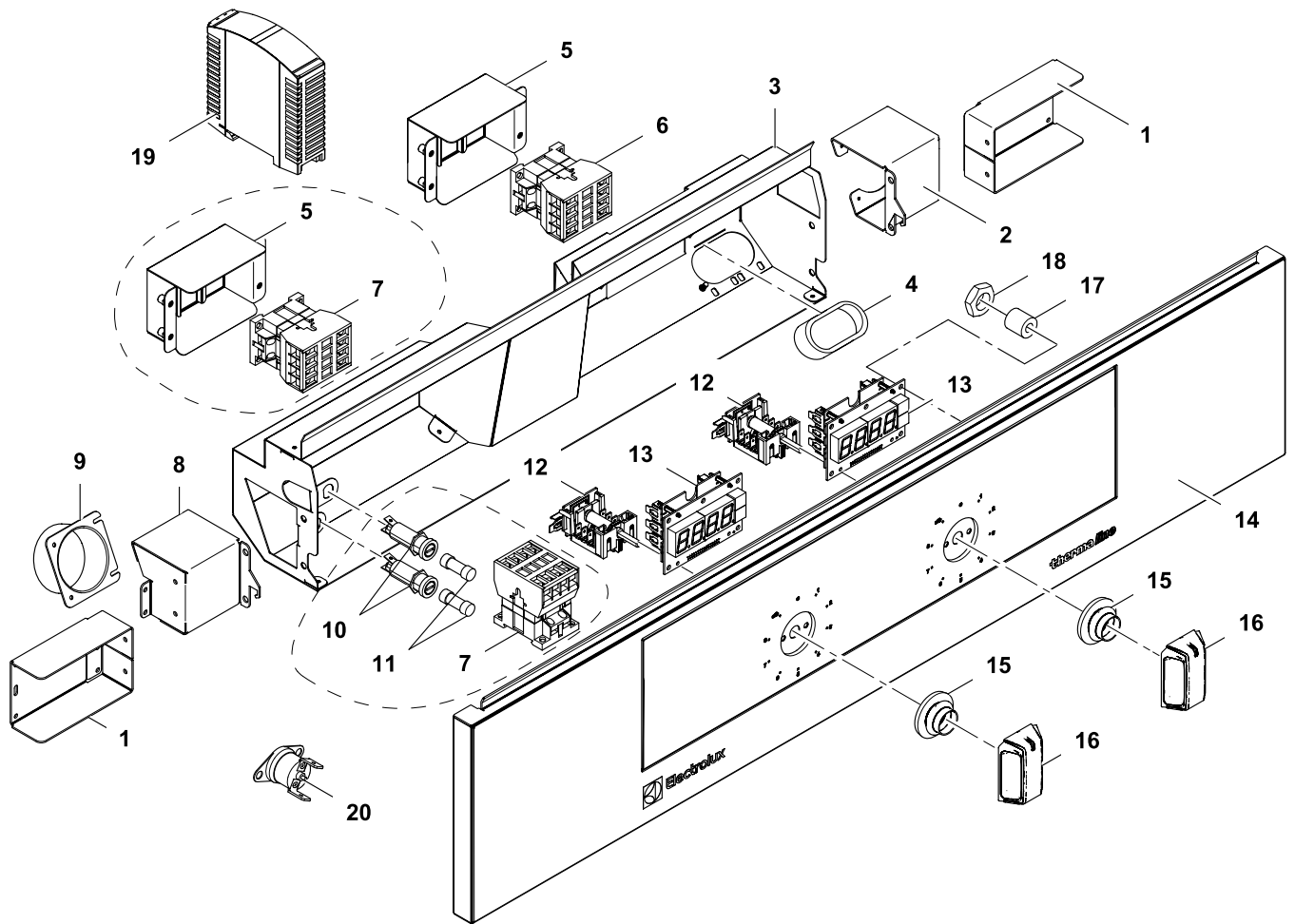
* Components on demand
* Teile auf Anfrage

Doc. № 599A2AZ00 / 82.8125.03

Page: 5

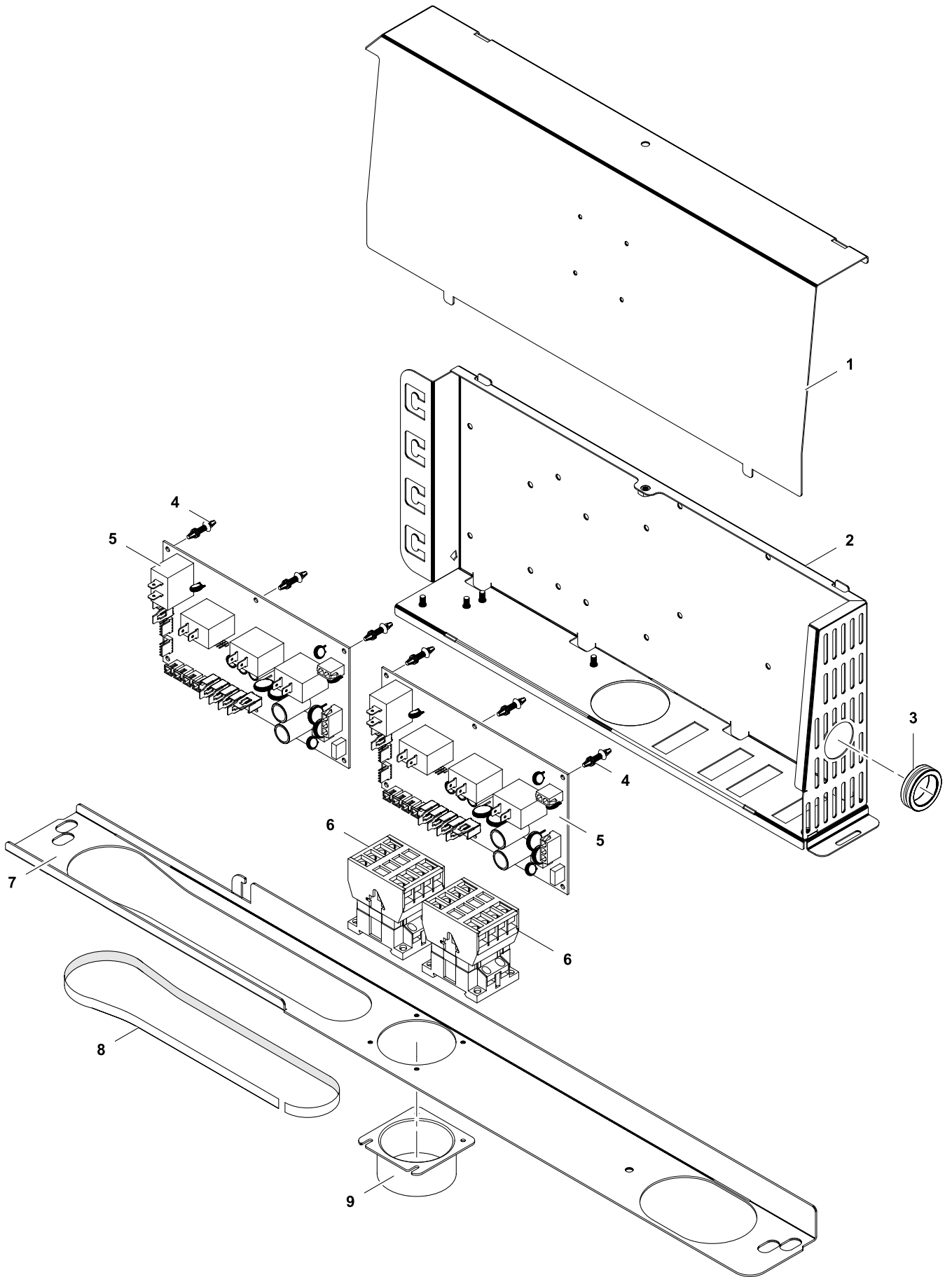


2	Alias	Code	Bezeichnung	Description	Ref.	Valid from Serial N°
1	82.7323.01		Platte Free Cooking Top 500x800/850	Plate Free Cooking Top 500x800/850	D800/850	
	82.7321.01	OG7361	Platte Free Cooking Top 500x900	Plate Free Cooking Top 500x900	D900	
2	82.7464	OC2496	Dichtband (klebend)	Sealing strip	all 2Zone	
3	82.7551	OG7755	Dichtband Platte	Sealing strip plate	all 2Zone	
4	82.2684	OG7222	Ablauf Solid Top	Drain Solid Top	all 2Zone/H250	
5	82.7257.02	OG6251	Heizelement 3kW 230V	Heating element 3kW 230V	2Zone Standard	
	82.7257.07	OG6952	Heizelement 3kW 440V (Marine)	Heating element 3kW 440V (marine)	2Zone Marine	
	82.7257.03	OG8133	Heizelement 3KW 208V	Heating element 3KW 208V	for USA	
6	82.2232	OG7203	Heizungshalter längs	Heating element support lengthwise	all 2Zone	
7	82.2231	OG7205	Heizungshalter quer	Heating element support crosswise	all 2Zone	
8	82.2233	OG7207	Strahlungsblech	Radiation sheet	all 2Zone	
9	82.7307.01	OG7209	Isolation Heizelement 3kW	Insulation heating element 3kW	all 2Zone	
10	82.2234		Verschalung	Cover sheet	all 2Zone	
11	75.9013.04	OKE127	Fühlerschutz	Sensor protection	all 2Zone	
12	87.9046	OG5934	TC Bodenfühler links (grün)	TC bottom sensor left (green)	all 2Zone	
13	87.9045	OG5935	TC Bodenfühler rechts (blau)	TC bottom sensor right (blue)	all 2Zone	
14	82.1121	OG7293	Befestigungsbügel	Support	all 2Zone	
15	72.0343.01	OKD994	Gewindestift M8x100	Set screw M8X100	all 2Zone	
16	712 044120.08	OG7215	Keps Mutter M8	Keps nut M8	all 2Zone	



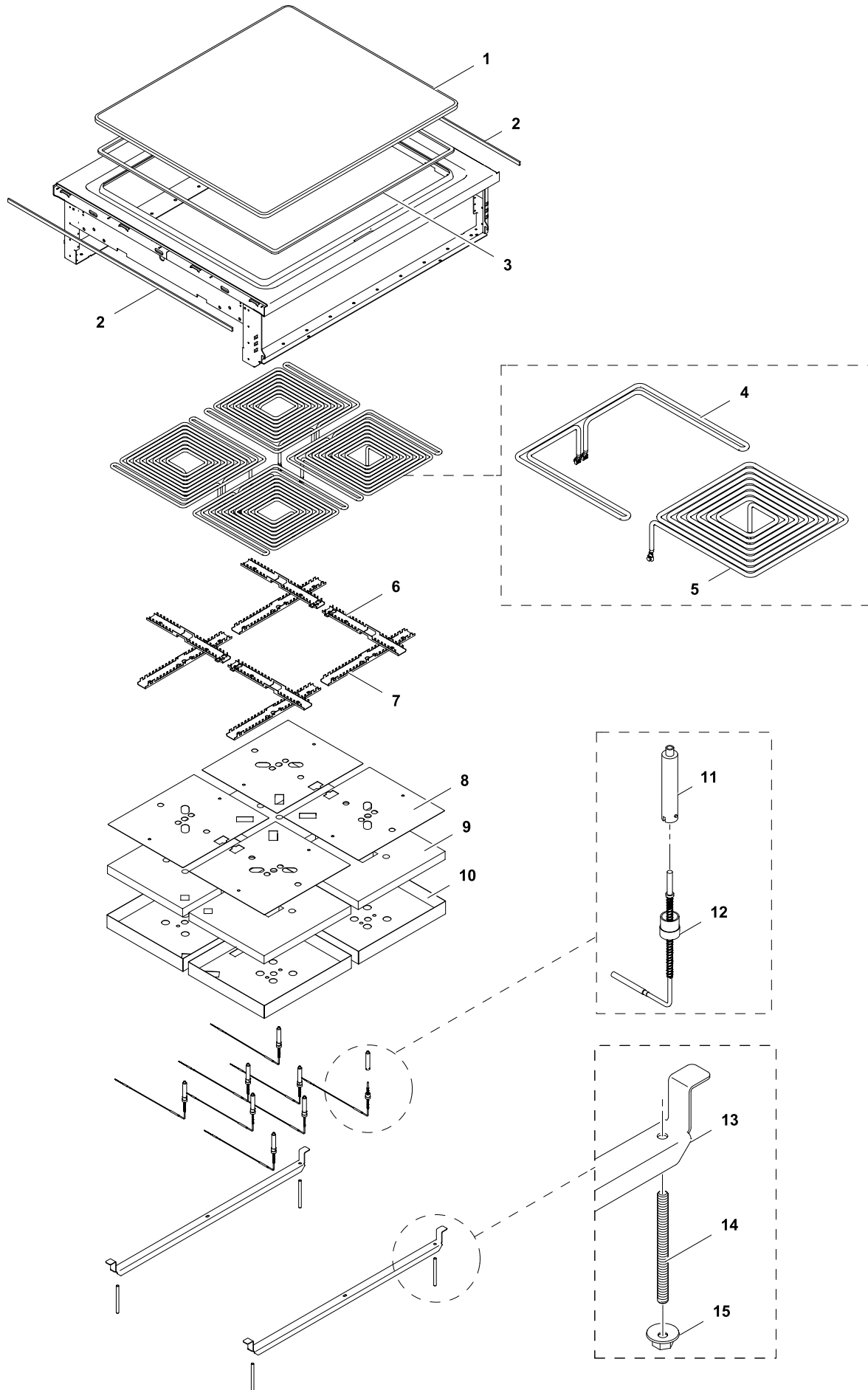
3	Alias	Code	Bezeichnung	Description	Ref.	Valid from Serial N°
1	82.3004.01	OG7448	Halterung Ventilationsbox L=100	Ventilation box support	all types	
2	82.3002	OG7450	Standardventilationsbox rechts	Ventilation box right	all types	
3	82.3034	*	Elektrobox 4 Zonen	Electrical compartment 4 zones	all types	
	83.9208	OG8193	Elektrobox UL	Electrical compartment UL	all types for USA	
4	1 201 2086	OG4872	Kantenschutz	Edge protection	all types	
5	82.3045	OG7012	Aufsteckblech	Conductor box	all types	
6	82.9228	OC2247	Schütz K2-30A00-40	Conductor K2-30A00-40	all types	
	82.9262	OC5051	Schütz K3-32A00 180 USA	Conductor K3-32A00 180 USA	all types for USA	
7	1 115 1757	OG4645	Schütz K3-14x027	Conductor K3-14x027	all types	
	82.9262	OC5051	Schütz K3-32A00 180 USA	Conductor K3-32A00 180 USA	all types for USA	
8	82.3001	*	Standardventilationsbox links	Ventilation box left	all types	
9	82.7550.01	OG7868	Rohrstutzen gerade	Pipe socket straight	all types	
10	87.9204	OCB130	Sicherungshalter Schurter 6.3x32 500V	Fuse holder Schurter 6.3x32 500V	Marine	
11	82.9171	OTTR73	Sicherung 6.3x32 0.63A 500V	Fuse 6.3x32 0.63A 500V	Marine	
12	82.9014	OG6245	Schalter off-Lin-Stby + 10k Poti	Switch off-Lin-Stby + 10k poti	all types	
	82.9244		Schalter off-Lin-Stby + 10k Poti (Marine)	Switch off-Lin-Stby + 10k poti (marine)	Marine	
13	82.7015	OG6246	Eurotas Display	Eurotas Display	D800/900	
	82.7015	OG7091	Eurotas Display	Eurotas Display	D800/D900	6101...
	72.5938.04	OKI362	Anzeigelampe grün	Indicator light, green	D850	
	72.5938.08	OKI364	Einsteckfassung grün/gelb Ø10mm	Lamp holder, green/yellow, Ø10mm	D850	
	72.5938.03	OKI361	Anzeigelampe klar	Indicator light, clear	D850	
	72.5938.07	OKI363	Einsteckfassung klar Ø10mm	Lamp holder, clear, Ø10mm	D850	
	72.5938.10	OG8192	Glimmlampe grün UL	Indicator light green UL	D850 for USA	
	72.5938.11	OG4247	Glimmlampe klar UL	Indicator light clear UL	D850 for USA	

3	Alias	Code	Bezeichnung	Description	Ref.	Valid from Serial N°
14	82.1027.115	*	Bedienblende 800 IS (Schublade)	Control panel 800 IS (drawer)	m	
	82.1027.116	*	Bedienblende 800 IS	Control panel 800 IS	n o	
	82.1049.53	*	Bedienb. 800 IS INOX (Schublade)	Control panel 800 IS INOX (drawer)	p	
	82.1049.79	*	Bedienblende 800 IS INOX	Control panel 800 IS INOX	q	
	82.1027.53	*	Bedienblende 1000 IS (Schublade)	Control panel 1000 IS (drawer)	r u	
	82.1027.52	*	Bedienblende 1000 IS	Control panel 1000 IS	s t v	
	83.2767.01	OG8194	Bedienb. 1000 IS INOX (Schublade)	Control panel 1000 IS INOX (drawer)	for USA	
15	82.7009	OG6247	Dichtung Drehgriff	Sealing for handle		
16	82.9124.01	OG6369	Drehgriff mit Adapter 0°x6.0	Handle with adapter 0°x6.0		
17	76.3011.01	OG3093	Distanzhalter 8mm	Spacer 8mm	D800/900	
18	712 044120.04	OG4918	Keps-Mutter M4	Keps nut M4	all types	
19	82.9030	OG6075	DC Power Supply 12V	DC Power Supply 12V	4Z 2S	
20	82.9062	OG6231	Temperaturthermostat 50 (Klickson)	Temperature thermostat 50 (Klickson)	4Z 2S	
	82.9001	OG6461	Kabel: Sparta - Display L2200	Cable: Sparta - Display L2200	D800/D900 Standard	
	82.9002	OG6897	Kabel: Display - Display L290	Cable: Display - Display L290	D800/D900 Standard	
	82.9003	OG6899	Kabel: Potentiometer - Display L200	Cable: Potentiometer - Display L200	D800/D900 Standard	
	82.9009	OG6906	Kabel: Sparta - Ventilator L2000	Cable: Sparta - Ventilator L2000	all Standard	
	82.9107	OG7184	Kabel: Sparta - Sparta Kommunikation	Cable: Sparta - Sparta communication	all Standard	
	82.9077	OG7185	Kabel: X0 - RL - Heizungen 12 /3kW	Cable: X0 - RL - heating el. 12 /3kW	D800/850	
	82.9078	OG7186	Kabel: X0 - RL - Heizungen 34 /3kW	Cable: X0 - RL - heating el. 34 /3kW	D800/850	
	82.9079	OG7187	Kabel: X0 - RL - Heizungen 12 /4kW	Cable: X0 - RL - heating el. 12 /4kW	D900	
	82.9080	OG7188	Kabel: X0 - RL - Heizungen 34 /4kW	Cable: X0 - RL - heating el. 34 /4kW	D900	
	82.9125	OG7189	Kabel: Sparta - N - Schalter - P 12	Cable: Sparta - N - switch - P 12	D900	
	82.9126	OG7190	Kabel: Sparta - N - Schalter - P 34	Cable: Sparta - N - switch - P 34	D900	
	82.9081	OG7191	Kabel: Sparta - N - Schalter - P 12 XD	Cable: Sparta - N - switch - P 12 XD	D850	
	82.9082	OG7192	Kabel: Sparta - N - Schalter - P 34 XD	Cable: Sparta - N - switch - P 34 XD	D850	
	82.9083	OG7193	Kabel: Sparta - N - Schalter - P 12	Cable: Sparta - N - switch - P 12	D800	
	82.9084	OG7194	Kabel: Sparta - N - Schalter - P 34	Cable: Sparta - N - switch - P 34	D800	
	82.9022.03	OG7195	Kabel: Schalter S2/3 - Schalter S4 kurz	Cable: switch S2/3 - switch S4 short	all Standard	
	82.9224.03	OG7383	Kabel: Schalter - Schütz KS	Cable switch - Sconductor KS	all Standard	
	82.9113.01	OG7355	Kabel: Anzeigelampe - A5 FCT	Cable: Indicator light - A5 FCT	D850	
	82.9113.02	OG7355	Kabel: Anzeigelampe - A6 FCT	Cable: Indicator light - A6 FCT	D850	
	82.9044.02	OG6181	Kabel: Sparta - Potentiometer L200	Cable: Sparta - potentiometer L200	D850	
	82.9198	OG6946	Kabelbaum 4Z Marine	Wiring harness 4Z Marine	4Zones Marine	
	82.9235	OG7834	Kabel: X0 - RL - Heizung 4Z 3kW	Cable: X0 - RL - Heating 4Z 3kW	4Zones Standard	
	82.9137		Kabel: Ventilator - Ventilator	Cable: Ventilator - Ventilator	4Zones 2-sides	
	82.9237	OG7844	Kabel: X0 - RL - Heizung 4Z 4kW	Cable: X0 - RL - Heating 4Z 4kW	4Zones 2-sides	
	82.9022.05	OG7368	Kabel: Schalter S2 - Schalter S3 lang	Cable: Switch S2 - Switch S3 long	4Zones 2-sides	
	82.9284.02		Kabel: Solidtop Stromversorgung 2S	Cable: Solidtop Power Supply 2S	4Zones 2-sides	
	82.9215		Kabel: 4 Zonen 2-seitig Marine	Cable: 4 zones 2-sides Marine	4Zones 2-sides Marine	
	82.9253	OG8183	Kabel: UL X0-RL - Heizung 4Z 4kW	Cable: UL X0-RL - Heating 4Z 4kW	D900 for USA	
	82.9254	OG8184	Kabel: UL Sparta -L- Schalter - P12	Cable: UL Sparta -L- switch - P12	D900 for USA	
	82.9255	OG8185	Kabel: UL Sparta -L- Schalter - P34	Cable: UL Sparta -L- switch - P34	D900 for USA	
	82.9548	OG8186	Kabel: UL Sparta -L- Schalter - P12 XD	Cable: UL Sparta -L- switch - P12 XD	D850 for USA	
	82.9549	OG8187	Kabel: UL Sparta -L- Schalter - P34 XD	Cable: UL Sparta -L- switch - P34 XD	D850 for USA	
	82.9530	OG8188	Kabel: UL Display - Display L290	Cable: UL Display - Display L290	D800/D900 for USA	
	82.9531	OG8189	Kabel: UL Potentiometer-Dispaly L200	Cable: UL Potentiometer-Display L200	D800/D900 for USA	
	82.9528	OG8135	Kabel: UL Sparta - Ventilator L2000	Cable: UL Sparta - Ventilator L2000	for all USA	
	82.9546.02	OG8258	Kabel: UL Sparta - Poti L2000	Cable: UL Sparta - poti L2000	D850 for USA	
	82.9533	OG8190	Kabel: UL Ventilator - Ventilator	Cable: UL Ventilator - Ventilator	for all USA	
	82.9559	OG8191	Kabel: UL Trafo - Ventilator L2000	Cable: UL Trafo - Ventilator L2000	for all USA	

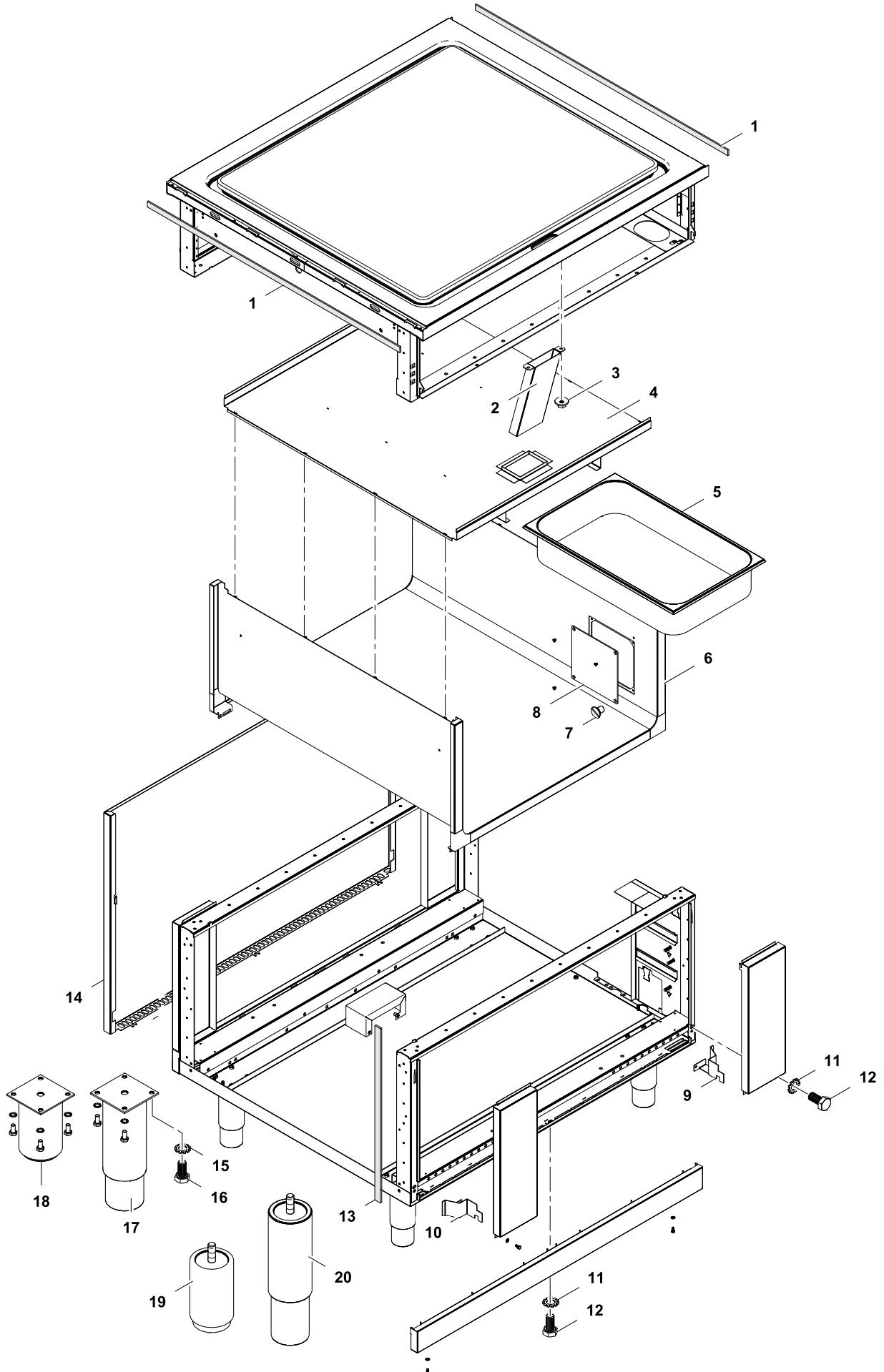


4	Alias	Code	Bezeichnung	Description	Ref.	Valid from Serial N°
1	82.3042	*	Deckel Elektrobox Sparta	Top cover Sparta box	all 4Zone	
2	82.3041	*	Elektrobox Sparta	Sparta box	all 4Zone	
3	712 044961.17	OKT854	Kabeltülle Ø25/Ø31/Ø35x10	Cable: sleeve Ø25/Ø31/Ø35x10	all 4Zone	
4	75.5000.05	0C3750	Distanzhalter Kunststoff	Plastic spacer support	all 4Zone	
5	82.7014.KD	0G6221	Mainboard SPARTA	Mainboard SPARTA	all 4Zone	
6	1 115 1757	0G4645	Schütz K3-14x027 + K2-E230	Conductor K3-24x027 + K2-E230	4Zone/D900	
	82.9555	0L0430	Schütz K3-18A10 180	Conductor K3-18A10 180	for USA	
7	82.3040.01	*	Schiene Spatabox D800	Guide track D800	all 4Zone	
	82.3040.02	*	Schiene Spatabox D850	Guide track D850	all 4Zone	
	82.3040.03	*	Schiene Spatabox D900	Guide track D900	all 4Zone	
8	1 201 2086	0G4872	Kantenschutz	Edge protection	all 4Zone	
9	82.7550.01	0G7868	Rohrstutzen gerade	Pipe socket straight	all 4Zone	

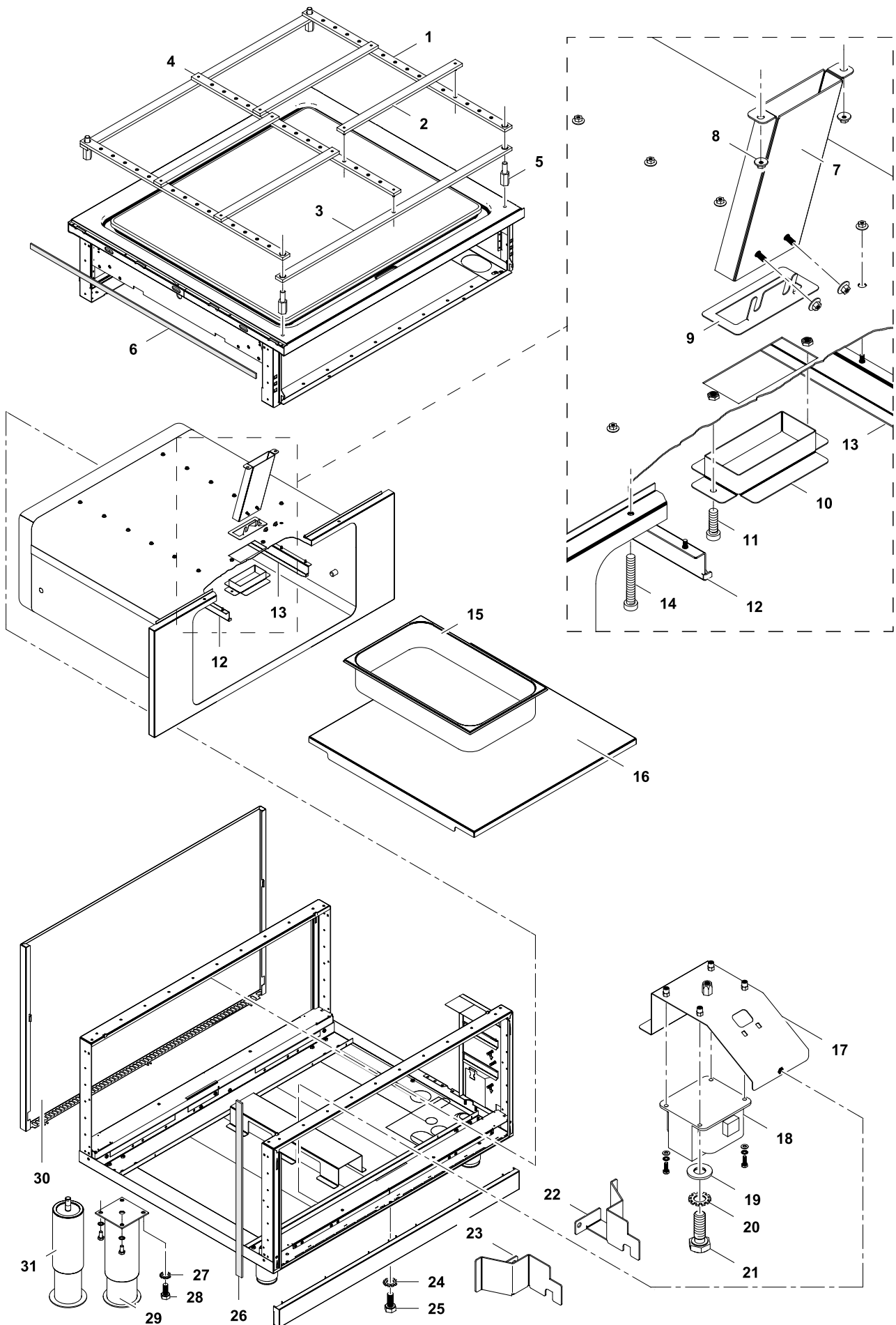
* Components on demand
 * Teile auf Anfrage



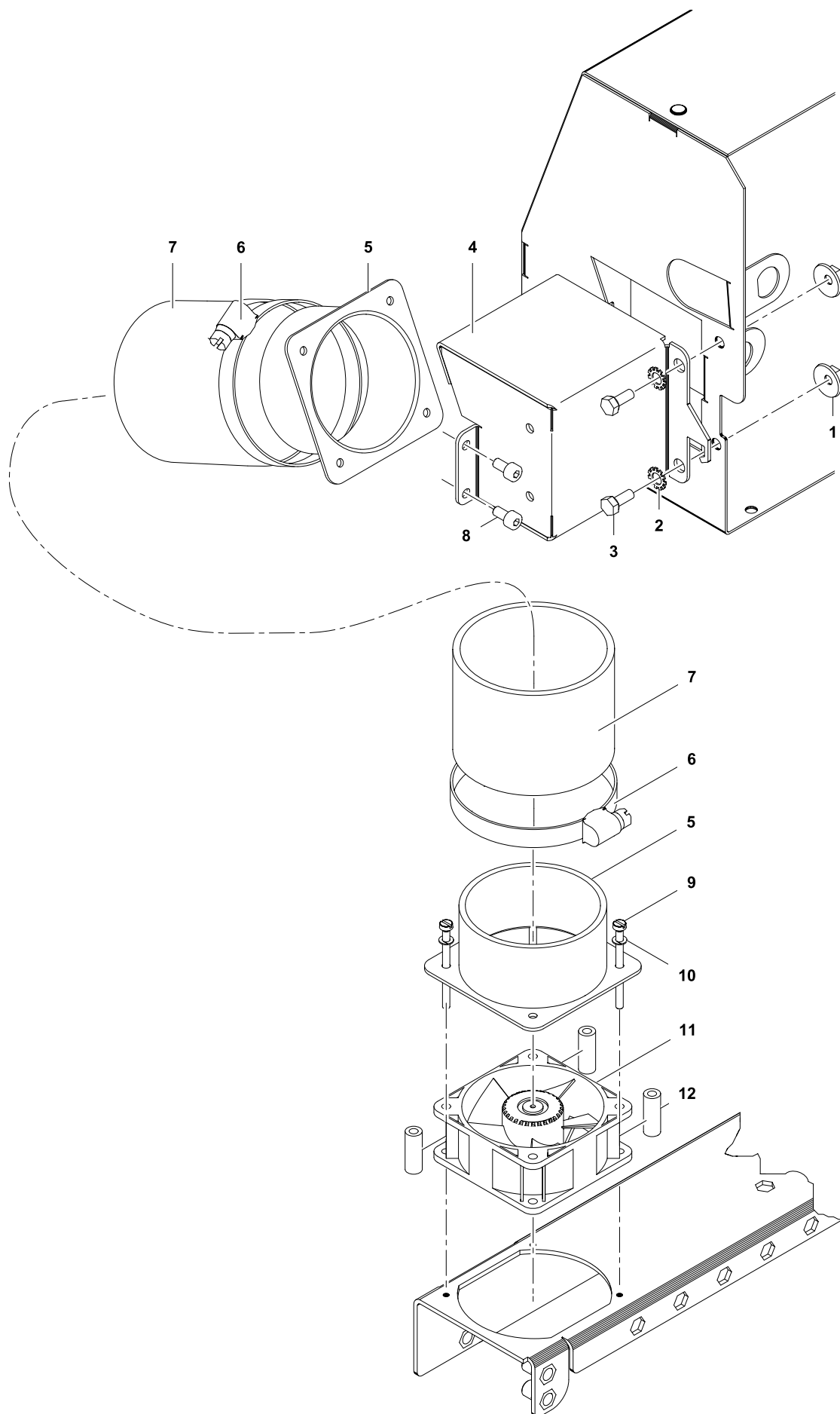
5	Alias	Code	Bezeichnung	Description	Ref.	Valid from Serial N°
1	82.7324.01	OG6697	Platte Free cooking Top 1000x900	Plate Free cooking Top 1000x900	W1000/D900	
	82.7322.01	OG7828	Platte FCT 800x800/850	Plate FCT 800x800/850	W800/D800/850	
2	82.7464	OC2496	Dichtband (klebend)	Sealing strip	all 4 Zone	
3	82.7551	OG7755	Dichtband Platte	Sealing strip plate	all 4 Zone	
4	82.7166.02	OG6252	Heizelement 1kW 230V	Heating element 1kW 230V	Standard 4Z/D900	
	82.7166.07	OG6951	Heizelement 1kW 440V (Marine)	Heating element 1kW 440V (marine)	Marine 4Z/D900	
	82.7166.03	OG8263	Heizelement 1kW 208V	Heating element 1kW 208V	for USA	
5	82.7257.02	OG6251	Heizelement 3kW 230V	Heating element 3kW 230V	Standard 4Z/D900	
	82.7257.07	OG6952	Heizelement 3kW 440V (Marine)	Heating element 3kW 440V (marine)	Marine 4Z/D900	
	82.7257.03	OG8133	Heizelement 3kW 208V	Heating element 3kW 208V	for USA	
6	82.2232	OG7203	Heizungshalter längs 800	Heating element support lengthwise	4Zone, D800/850	
	82.2188	OG7204	Heizungshalter längs 1000	Heating element support lengthwise	4Zone, D900	
7	82.2231	OG7205	Heizungshalter quer 800	Heating element support crosswise	4Zone, D800/850	
	82.2187	OG7206	Heizungshalter quer 1000	Heating element support crosswise	4Zone, D900	
8	82.2233	OG7207	Strahlungsblech 800	Radiation sheet 800	4Zone, D800/850	
	82.2189	OG7208	Strahlungsblech 1000	Radiation sheet 1000	4Zone, D900	
9	82.7307.01	OG7209	Isolation Heizelement 3kW	Insulation heating element 3kW	4Zone, D800/850	
	82.7307.02	OG7210	Isolation Heizelement 4kW	Insulation heating element 4kW	4Zone, D900	
10	82.2234		Verschalung 800	Cover sheet 800	4Zone, D800/850	
	82.2190		Verschalung 1000	Cover sheet 1000	4Zone, D900	
11	75.9013.04	OKE127	Fühlerschutz	Sensor protection	all 4 Zone	
12	87.9045	OG5935	TC Bodenfühler rechts (blau)	TC bottom sensor right (blue)	all 4 Zone	
13	82.1127.01	OG7213	Befestigungsbügel 800	Support	4Zone, D800/850	
	82.1127.02	OG7214	Befestigungsbügel 1000	Support	4Zone, D900	
14	72.0343.01	OKD994	Gewindestift M8x100	Set screw M8X100	all 4 Zone	
15	712 044120.08	OG7215	Keps Mutter M8	Keps nut M8	all 4 Zone	

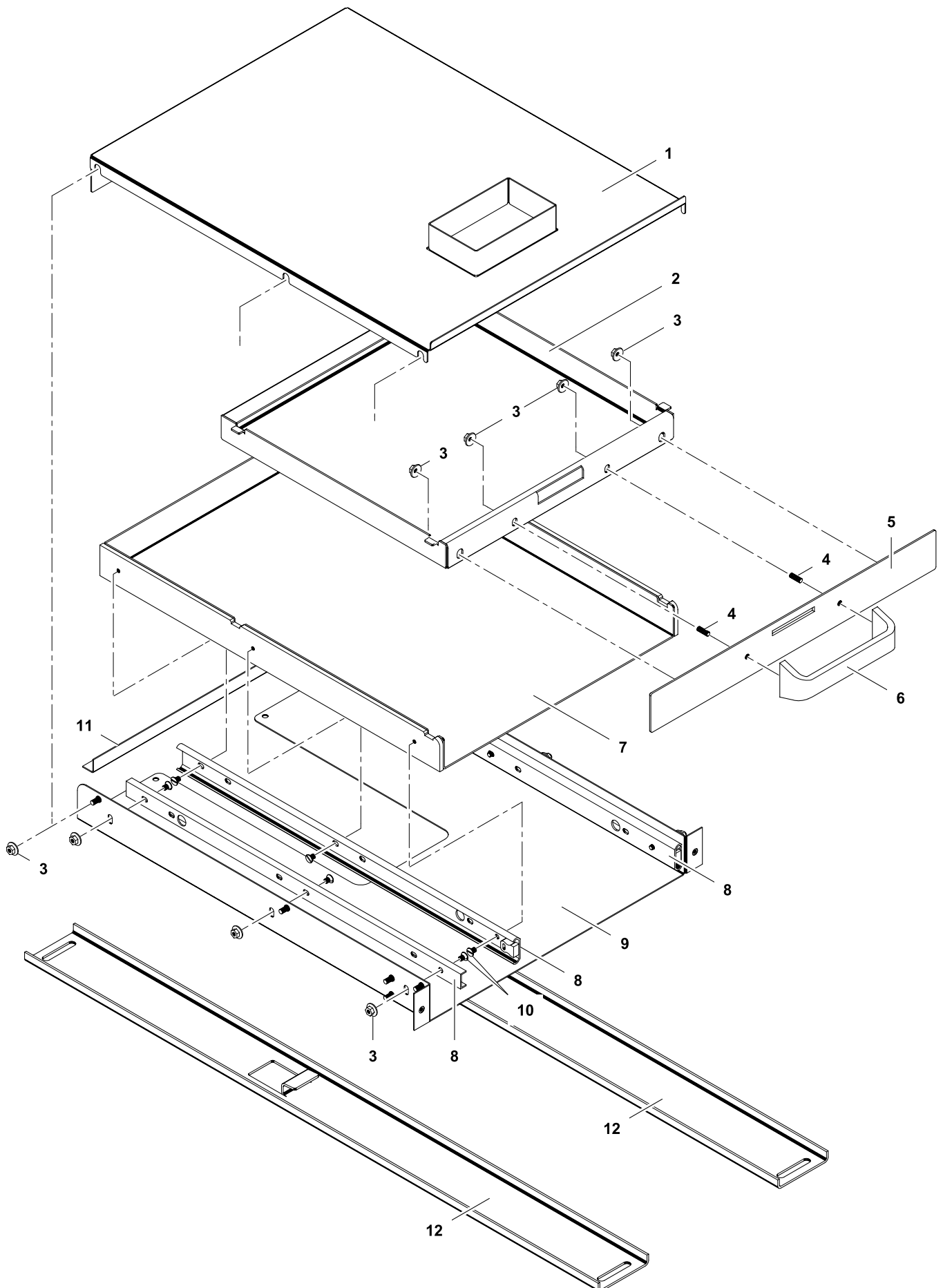


6	Alias	Code	Bezeichnung	Description	Ref.	Valid from Serial N°
1	82.7464	OC2496	Dichtband (klebend)	Sealing strip	all types	
2	82.0651	OG7294	Ablauf in Korpus	Drain in copus	H700/800	
3	712 044120.04	OG4918	Kep-Mutter M4	Keps nut M4	H700/800	
4	82.0101.13	*	Korpusdeckel H2 W500/D800/900/850	Cover for corpus H2 W500/D800/900/850	b c e g h	
	82.0101.14	*	Korpusdeckel H2 W800/D800/850	Cover for corpus H2 W800/D800/850	n o q	
	82.0101.19	*	Korpusdeckel H2 W1000/D900	Cover for corpus H2 W1000/D900	s t	
5	1 110 1355	OS1733	Schale 1/1 GN H100	Container GN 1/1 H100	4Zone, H700/800	
	82.7333	OG7382	Schale 1/3GN H100	Container GN 1/3 H100	2Zone, H700/800	
6	82.0220.01	OG7048	Korpus komplett W500 1S H2 D800/900	Corpus complete W500 1S H2 D800/900	b c g h	
	82.2436.04	*	Korpus komplett W500 1S NHC D850	Corpus complete W500 1S NHC D850	e	
	82.0220.11	OG7046	Korpus komplett W800 1S H2 D800	Corpus complete W800 1S H2 D800	o	
	82.2436.09	OG7047	Korpus komplett W800 1S NHC D850	Corpus complete W800 1S NHC D850	q	
	82.0220.21	*	Korpus komplett W1000 1S H2 D900	Corpus complete W1000 1S H2 D900	s t v	
7	1 701 1145	OG6758	Senkkopfschraube M4x6	Countersunk screw M4x6	H700/800	
8	82.0223.01	OG6757	Deckel Servicefenster	Cover plate	H700/800	
9	82.0113.02	OG7385	Leitblech H700 rechts	Aeration sheet right H700	H700	
	82.0113.12	OG7388	Leitblech H800 rechts	Aeration sheet right H800	H800	
10	82.0113.01	OG7386	Leitblech H700 links	Aeration sheet left H700	H700	
	82.0113.11	OG7387	Leitblech H800 links	Aeration sheet left H800	H800	
11	1 701 7002	OG2923	Fächerscheibe M5	Fan washer M5	H700/800	
12	1 701 2579	OG4020	Sechskantschraube M5x16	Hex bolt M5x16	H700/800	
13	82.7467	OC7307	Dichtung 5mm	Sealing sides 5mm	H700/800	5101...
14	82.1102.04	*	Rückwand 1S 500x700	Back panel 1S 500x700	2Zone/H700	
	82.1102.24	*	Rückwand 1S 500x800	Back panel 1S 500x800	2Zone/H800	
	82.1102.07	OG7286	Rückwand 1S 800x700	Back panel 1S 800x700	n	
	82.1102.27	*	Rückwand 1S 800x800	Back panel 1S 800x800	o	
	82.1102.09	*	Rückwand 1S 1000x700	Back panel 1S 1000x700	s v	
	82.1102.29	*	Rückwand 1S 1000x800	Back panel 1S 1000x800	t	
15	1 701 5051	OG6753	Fächerscheibe M6	Fan washer M6	H700/800	
16	1 701 2600	OKT919	Sechskantschraube M6x12	Hex bolt M6x12	H700/800	
17	86.0001	OG5391	Stellfuß 2" 145-252mm rund	Adjustable feet 2" 145-252mm, round	H700	
18	86.2385	OG6140	Stellfuß 2" 100mm	Adjustable feet 2" 100mm	H800	
19	82.0350.02		Fuss M10 100mm	Foot M10 100mm	H800	7141...
20	82.0350.01		Fuss M10 200mm	Foot M10 200mm	H700	7141...



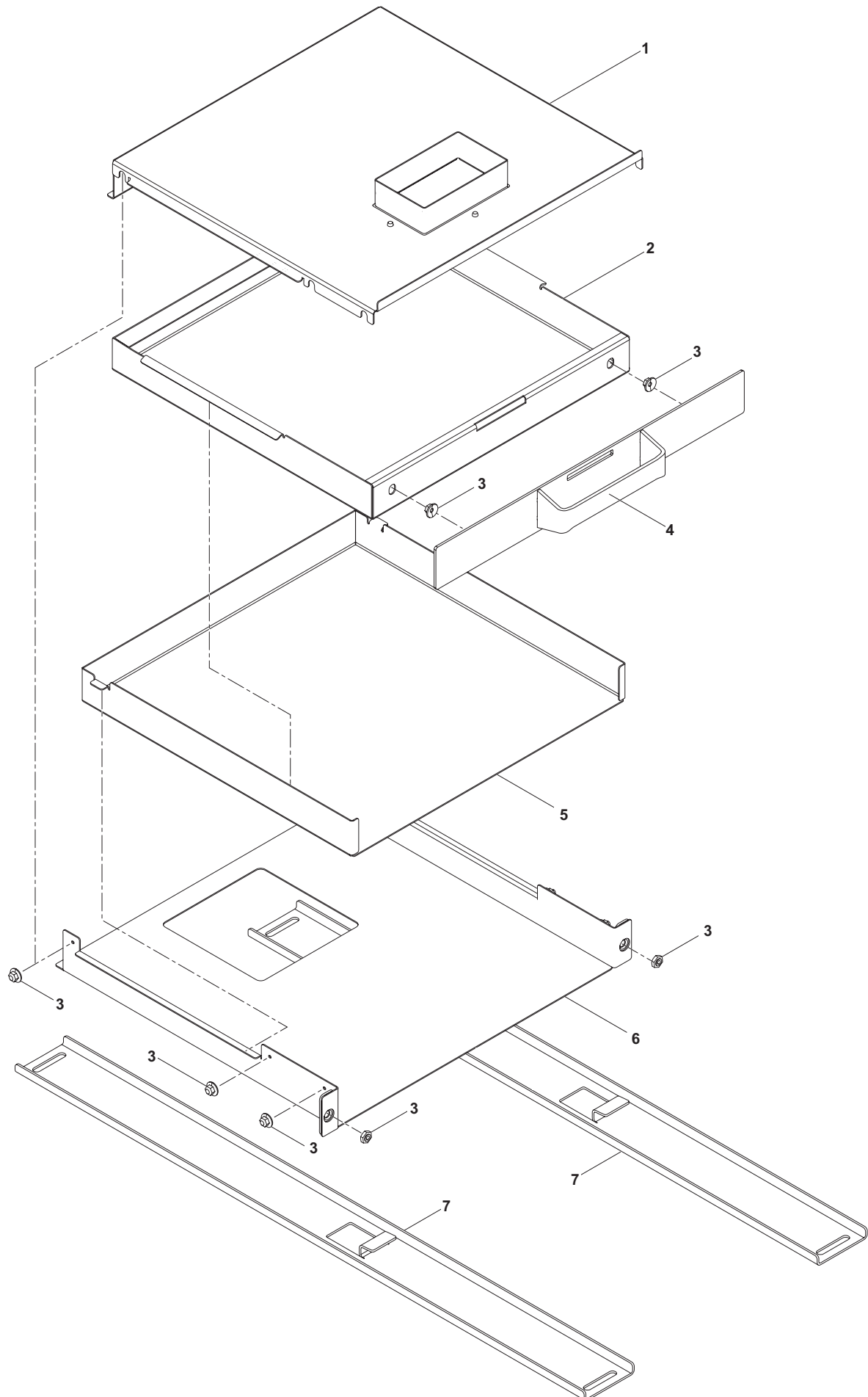
7	Alias	Code	Bezeichnung	Description	Ref.	Valid from Serial N°
	83.3769	OG7016	Schlingerstnage komplet 500	Set roling racks 500	2Zones Marine	
	83.3745	OG7017	Schlingerstnage komplet 1000	Set roling racks 1000	4Zones Marine	
1	83.3741	OG7218	Schiene-1000 15xØ8	Rolling rack-1000 15xØ8	4Zones Marine	
	83.3768	OG7295	Schiene-500 15xØ8	Rolling rack-500 15xØ8	2Zones Marine	
2	83.3744	OG7219	Schiene-1000 2xØ6	Rolling rack-1000 2xØ6	4Zones Marine	
	83.3767	OG7296	Schiene-500 2xØ6	Rolling rack-500 2xØ6	2Zones Marine	
3	83.3743	OG7220	Schiene-1000 2xØ17	Rolling rack-1000 2xØ17	4Zones Marine	
	83.3766	OG7297	Schiene-500 2xØ17	Rolling rack-500 2xØ17	2Zones Marine	
4	83.3742	OG7221	Schiene-1000 15xØ8 mittig	Rolling rack-1000 15xØ8 mittig	4Zones Marine	
5	82.7495	OG7362	Abstandsbolzen 22x80/M8	Spacer bolt 22x80/M8	all types Marine	
6	82.7464	OC2496	Dichtband (klebend)	Sealing strip	all types Marine	
7	82.0705	OG7010	Ablauf in Korpus	Drain in copus	H700 Marine	
8	712 044120.04	OG4918	Kep-Mutter M4	Keps nut M4	H700 Marine	
9	82.0704		Spritzschutzdeckel	Splash protection	H700 Marine	
10	82.0706	OG7009	Stutzen zu Ablauf	Drain flange	H700 Marine	
11	1 701 1069	OG6959	Flachkopfschraube M5x12	Flat head screw M5x12	H700 Marine	
12	82.0265.01		Halter GN-Schale links (Marine)	GN container suport left	H700 Marine	
13	82.0265.03		Halter GN-Schale rechts (Marine)	GN container suport right	H700 Marine	
14	1 701 1150	OG7041	Flachkopfschraube M5x45	Flat head screw M5x45	H700 Marine	
15	1 110 1355	OS1733	Schale 1/1 GN H100	Container GN 1/1 H100	4Zone/H700 Marine	
	82.7333	OG7382	Schale 1/3GN H100	Container GN 1/3 H100	2Zone/H700 Marine	
16	83.3718.01	OG6890	Tablar 400 für H3 Korpus	Shelf for 400 H3 corpus	2Zone/H700 Marine	
	83.3718.03	OG6920	Tablar 900 für H3 Korpus	Shelf for 900 H3 corpus	4Zone/H700Marine	
17	82.3029		Halteblech	Metal support	all types Marine	
18	82.9209	006710	Autotransformer 0-240-400-440V - 150VA	Autotransformer 0-240-400-440V - 150VA	all types Marine	
19	1 701 3502	OG3595	Unterlegscheibe M4	Washer M4	all types Marine	
20	1 701 7060		Fächerscheibe M4	Fan washer M4	all types Marine	
21	1 701 2629	OG5854	Sechskantschraube M4x12	Hex bolt M4x12	all types Marine	
22	82.0113.02	OG7385	Leitblech H700 rechts	Aeration sheet right H700	H700 Marine	
23	82.0113.01	OG7386	Leitblech H700 links	Aeration sheet left H700	H700 Marine	
24	1 701 7002	OG2923	Fächerscheibe M5	Fan washer M5	H700 Marine	
25	1 701 2579	OG4020	Sechskantschraube M5x16	Hex bolt M5x16	H700 Marine	
26	82.7467	OC7307	Dichtung 5mm	Sealing sides 5mm	H700 Marine	
27	1 701 5051	OG6753	Fächerscheibe M6	Fan washer M6	H700 Marine	
28	1 701 2600	OKT919	Sechskantschraube M6x12	Hex bolt M6x12	H700 Marine	
29	83.3728	OG6886	Stellfuß 2" Marine 145-252mm	Adjustable feet 2" Marine 145-252mm	H700 Marine	
30	82.1020.05	OG7280	Rückwand 500x700	Back panel 500x700	2Zones/H700 Marine	
	82.1020.10	OG7281	Rückwand 1000x700	Back panel 1000x700	4Zones/H700 Marine	
31	82.0350.03		Fuss M10 200mm Marine	Foot M10 200mm Marine	H700 Marine	

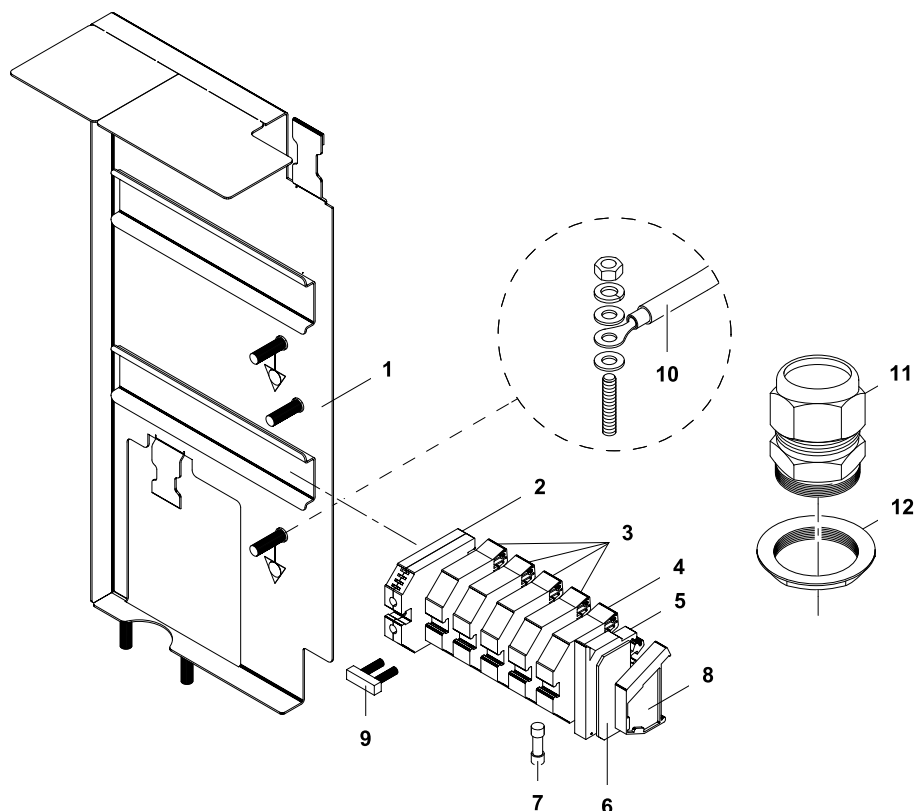




9	Alias	Code	Bezeichnung	Description	Ref.	Valid from Serial N°
Valid until 7391...						
1	82.4280.07	OG7216	Schubladenabdeckung	Drawer cover	all H250	
2	82.4281.02	OG7031	Schubladeneinsatz	Drawer insert	all H250	
3	712 044120.04	OG4918	Keps-Mutter M4	Keps nut M4	all H250	
4	1 701 5532	OG7217	Gewindestift M4x12	Set screw M4x12	all H250	
5	82.2279	OG7032	Frontblech Schublade	Front panel drawer	all H250	
	82.2941		Frontblech Schublade	Front panel drawer	all H250	7011...
6	82.2209	OG7033	Griff	Handle	all H250	
7	82.4284.02	OG7030	Schubladenauszug	Drawer	all H250	
8	82.7201	OG6687	Führungsschiene	Rail	all H250	
9	82.4279	OG7034	Schubladenschacht	Drawer support	all H250	
	82.2942		Schubladenschacht	Drawer support	all H250	7011...
10	1 701 1145	OG6758	Senkkopfschraube M4x6	Countersunk screw M4x6	all H250	
11	82.4373	OG7035	Verstärkung	Reinforcement	all H250	
	82.2944		Verstärkung	Reinforcement	all H250	7011...
12	82.6504.03	*	Aufhängung Schublade D800	Drawer guide D800	all D800/H250	
	82.6504.04	*	Aufhängung Schublade D850	Drawer guide D850	all D850/H250	
	82.6504.05	*	Aufhängung Schublade D900	Drawer guide D900	all D900/H250	

* Components on demand
 * Teile auf Anfrage





10	Alias	Code	Bezeichnung	Description	Ref.	Valid from Serial N°
1	82.3030.02	OG6423	Klemmenträger	Terminal support	all types	
	82.3051	OG7430	Klemmenträger	Terminal support	all types	5431...
2	75.2011.03	OKX291	Schutzleiterklemme 16mm ²	Ground conductor terminal 16mm ²	all types	
3	75.2010.40	OKI280	Reihenklemme 16mm ² grau	Terminal block 16mm ² grey	all types	
4	75.2010.41	OG3488	Nullleiterklemme 16mm ² blau	Neutral wire terminal 16mm ² blue	all types/not in Marine	
5	75.2012.01	OK5155	Sicherungsklemme	Fuse holder terminal	all types	
6	75.2012.02	OT2599	Abschlusswand	Cover for fuse holder terminal	all types	
7	712 344362.01	OG5814	Sicherung 5x20 1 00A	Fuse 5x20 1 00AF	all types	
8	75.2013	OKX290	Arretierstück	Fixation	all types	
9	75.2010.44	OKT731	Querverbinder	Cross connection	all types	
10	82.9103	OG6424	Kabel Haupterd draht L400 6mm ²	Main earthing cable L400 6mm ²	all types	
	62.1504.03	OG5977	Verdrahtung 2.5mmx800	Wiring 2.5mmx800	all types	
11	82.2809	OC0068	PG21 Kabelverschraubung	Cable gland PG21	all types	
12	82.9226	OG7024	PG21 Sicherungsmutter	Lock nut PG21	all types	