

THERMALINE 80/85/90

DE EL. KOCH- UND BRATPLATTEN 2 ZONES & 4 ZONES
EN EL. FREE COOKING TOPS/UNITS 2 ZONES & 4 ZONES

Half module (2 Zones)

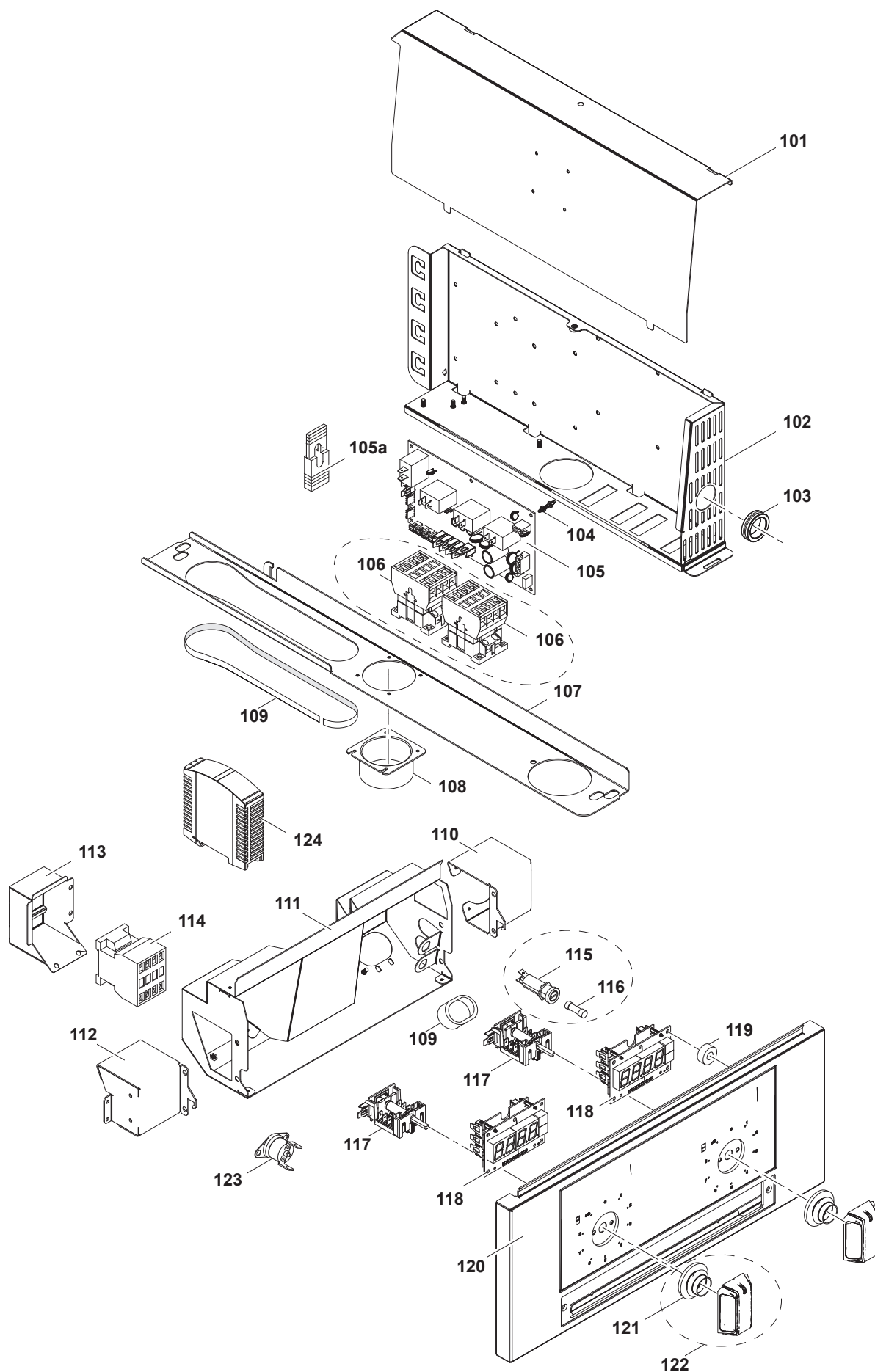
PNC	Factory Model	Ref.	Description
588322	MATAAAEOAO	a	EL. FREE COOKING TOP, 500X800X250H
588323	MATAABEOAO	a	EL. FREE COOKING TOP, C-BOARD, 500X800X250H
588378	MATDEAEDAO	b	EL. FREE COOKING UNIT, 500X800X700H
588379	MATDEBEDAO	b	EL. FREE COOKING UNIT, C-BOARD, 500X800X700H
588382	MATDFAEDAO	c	EL. FREE COOKING UNIT, 500X800X800H
588383	MATDFBEDAO	c	EL. FREE COOKING UNIT, C-BOARD, 500X800X800H
588549	MBTABBEAO	d	EL. FREE COOKING TOP, C-BOARD, 500X850X250H
588677	MBTDGBEDAO	e	EL. FREE COOKING UNIT, 1S, C-BOARD, 500X850X700H
589126	MCTAAAEAO	f	EL. FREE COOKING TOP, 500X900X250H
589127	MCTAABEOAO	f	EL. FREE COOKING TOP, C-BOARD, 500X900X250H
589572	MCTDEAEDAO	g	EL. FREE COOKING UNIT, 500X900X700H
589573	MCTDEBEDAO	g	EL. FREE COOKING UNIT, C-BOARD, 500X900X700H
589576	MCTDFAEDAO	h	EL. FREE COOKING UNIT, 500X900X800H
589577	MCTDFBEDAO	h	EL. FREE COOKING UNIT, C-BOARD, 500X900X800H
589890	MCTAAAEODM	k	MARINE* FREE COOKING TOP, 500X900X250H
589892	MCTLEAEIDM	l	MARINE* FREE COOKING UNIT, H3, 500X900X700H

Full module (4 Zones)

PNC	Factory Model	Ref.	Description
588324	MATCAAHOAO	m	EL. FREE COOKING TOP, 800X800X250H
588325	MATCABHOAO	m	EL. FREE COOKING TOP, C-BOARD, 800X800X250H
588380	MATFEAHDAO	n	EL. FREE COOKING UNIT, 800X800X700H
588381	MATFEBHDAO	n	EL. FREE COOKING UNIT, C-BOARD, 800X800X700H
588384	MATFFAHDAO	o	EL. FREE COOKING UNIT, 800X800X800H
588385	MATFFBHDAO	o	EL. FREE COOKING UNIT, C-BOARD, 800X800X800H
588551	MBTCBBHOAO	p	EL. FREE COOKING TOP, C-BOARD, 800X850X250H
588678	MBTFGBHDAO	q	EL. FREE COOKING UNIT, C-BOARD, 800X850X700H
589130	MCTCAAJOAO	r	EL. FREE COOKING TOP, 1000X900X250H
589131	MCTCABJOAO	r	EL. FREE COOKING TOP, C-BOARD, 1000X900X250H
589574	MCTFEAJDAO	s	EL. FREE COOKING UNIT, 1000X900X700H
589575	MCTFEBJDAO	s	EL. FREE COOKING UNIT, C-BOARD, 1000X900X700H
589578	MCTFFAJDAO	t	EL. FREE COOKING UNIT, 1000X900X800H
589579	MCTFFBJDAO	t	EL. FREE COOKING UNIT, C-BOARD, 1000X900X800H
589891	MCTCAAJODM	u	MARINE* FREE COOKING TOP, 1000X900X250H
589893	MCTMEAJIDM	v	MARINE* FREE COOKING UNIT, H3, 1000X900X700H

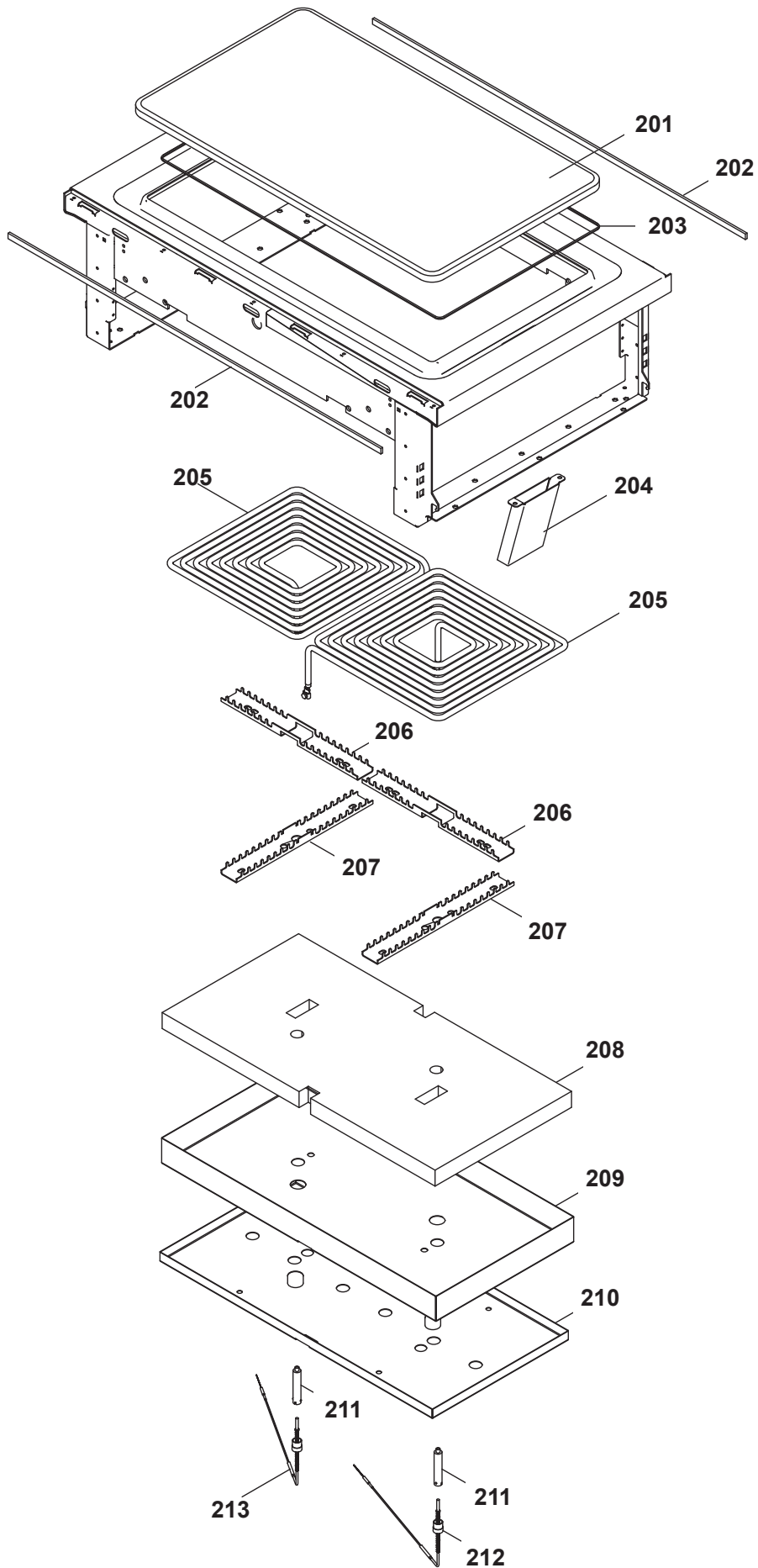
Page	Index
4	Electrical components 2 zones
6	Mechanical module 2 zones
8	Electrical compartment 4 zones
10	Sparta box 4 zones
12	Mechanical module 4 zones
14	Drain and base *Standard H2
16	Rolling racks, drain and base *Marine H3
18	Aeration kit
20	Old grease drawer
22	New grease drawer
24	Terminal

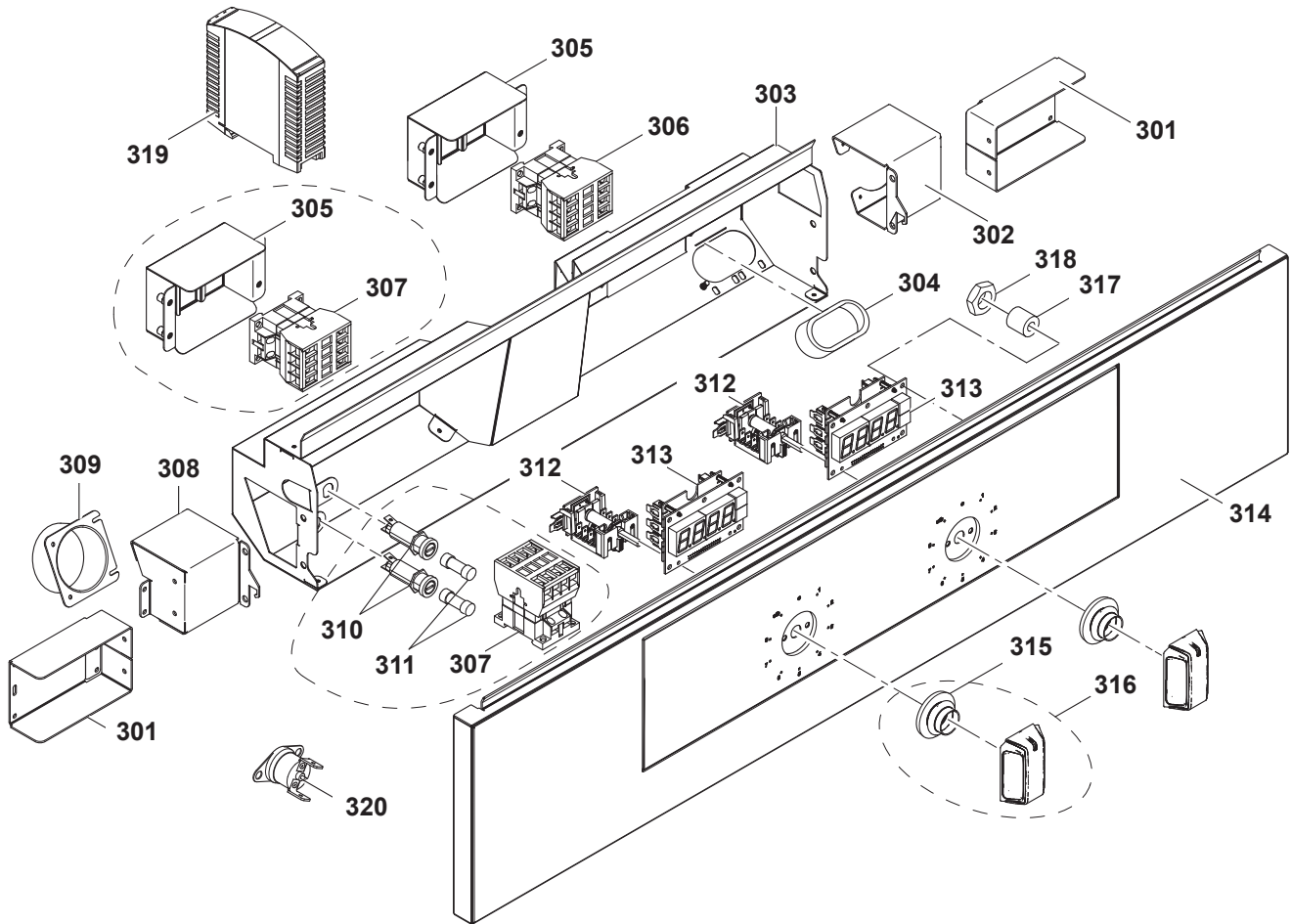
Last Updates	Page	Pos.
12/2015	all	
01/2017	all	
04/2017	all	
11/2017	5/9	115/310
01/2018	5, 7, 8, 9, 11, 13	added spare parts "for USA"
02/2018	22, 23	new drawer
05/2018	15	621
11/2018	7 / 13	201 / 501
11/2018	7 / 13	203 / 503
12/2018	5 / 9	122 / 316
05/2019	5 / 9	121, 122 / 315, 316
05/2020	7 / 13	208, 209, 210 / 508, 509, 510
02/2022	7	201
05/2024	8 / 19	309 / 813



1	Alias	Code	Bezeichnung	Description	Ref.	Valid from Serial N°
101	82.3042	*	Deckel Elektrobox Sparta	Top cover Sparta box	all 2Zone	
102	82.3041	*	Elektrobox Sparta	Sparta box	all 2Zone	
103	712 044961.17	OKT854	Kabeltülle Ø25/Ø31/Ø35x10	Cable: sleeve Ø25/Ø31/Ø35x10	all 2Zone	
104	75.5000.05	OC3750	Distanzhalter Kunststoff	Plastic spacer support	all 2Zone	
105	82.7014.KD	OG6221	Mainboard SPARTA	Mainboard SPARTA	all 2Zone	
105a	879191	OG7123	Jumper	Jumper	all 2Zone	
106	1 115 1757	OG4645	Schütz K3-14x027 + K2-E230	Conductor K3-24x027 + K2-E230	2Zone Marine	
107	82.3040.01	*	Schiene Spatabox D800	Guide track D800	2Zone /D800	
107	82.3040.02	*	Schiene Spatabox D850	Guide track D850	2Zone /D850	
107	82.3040.03	*	Schiene Spatabox D900	Guide track D900	2Zone /D900	
108	82.7550.01	OG7868	Rohrstutzen gerade	Pipe socket straight	all 2Zone	
109	1 201 2086	OG4872	Kantenschutz	Edge protection	all 2Zone	
110	82.3002	OG7450	Ventilationsbox rechts	Aeration box right	all 2Zone	
111a	82.3037	*	Electrobox Solid Top	Electrical compartment	all 2Zone	
112	82.3001	*	Ventilationsbox links	Aeration box left	all 2Zone	
113	82.3048	OG7230	Aufsteckblech	Conductor box	all 2Zone	
114	1 115 1752	006879	Schütz K3-18N10	Conductor K3-18N10	all 2Zone	
114	82.9555	OL0430	Schütz K3-18A10 180	Conductor K3-18A10 180	for USA	
115	87.9204	OCB130	Sicherungshalter Schurter 6.3x32 500V	Fuse holder Schurter 6.3x32 500V	2Zone Marine	
116	82.9171	OTTR73	Sicherung 6.3x32 0.63A 500V	Fuse 6.3x32 0.63A 500V	2Zone Marine	
117	82.9014	OG6245	Schalter off-Lin-Stby + 10k Poti	Switch off-Lin-Stby + 10k poti	all 2Zone	
118	82.7015	OG6246	Eurotas Display	Eurotas Display	D800/D900	
118	82.7015	OG7091	Eurotas Display	Eurotas Display	D800/D900	6101...
118	72.5938.04	OKI362	Anzeigelampe grün	Indicator light, green	D850	
118	72.5938.08	OKI364	Einsteckfassung grün/gelb Ø10mm	Lamp holder, green/yellow, Ø10mm	D850	
118	72.5938.03	OKI361	Anzeigelampe klar	Indicator light, clear	D850	
118	72.5938.07	OKI363	Einsteckfassung klar Ø10mm	Lamp holder, clear, Ø10mm	D850	
119	76.3011.01	OG3093	Distanzhalter 8mm	Spacer 8mm	all 2Zone	
120	82.1027.114	*	Bedienblende 500 (Schublade)	Control panel 500 (drawer)	a f k	
120	82.1027.51	*	Bedienbl. 500 (oh. Schublade)	Control panel 500 (no drawer)	b c g h l	
120	82.1049.51	*	Bedienbl. 500 (Schubl.) INOX	Contr. panel 500 (drawer) INOX	d	
120	82.1049.78	*	Bedienbl. 500 (oh. Schubl.) INOX	Contr. panel 500 (no draw.) INOX	e	
121	82.7009	OG6247	Dichtung Drehgriff	Sealing for handle	all 2Zone	
121	82.7628	OG8603	Dichtung Drehgriff	Sealing for handle	Colored M2M	
122	82.9124.01	OG6369	Drehgriff Kpl	Handle complete kit	all 2Zone	
122	82.6638.01	OG8620	Drehgriff Kpl	Handle complete kit	Colored M2M	
123	82.9062	OG6231	Temperaturthermostat 50 (Klickson)	Temperature thermostat 50 (Klickson)	all 2Zone	
124	82.9030	OG6075	DC Power Supply 12V	DC Power Supply 12V	all 2Zone	
	82.9001	OG6461	Kabel: Sparta - Display L2200	Cable: Sparta - Display L2200	D800/900 Standard	
	82.9021	OCA121	Kabel: Display - Display L2800	Cable: Display - Display L290	D800/900 Standard	
	82.9003	OG6899	Kabel: Potentiometer - Dispaly L200	Cable: Potentiometer - Dispaly L200	D800/900 Standard	
	82.9009	OG6906	Kabel: Sparta - Ventilator L2000	Cable: Sparta - Ventilator L2000	2Zone Standard	
	82.9137	OG7197	Kabel: Ventilator - Ventilator	Cable: Ventilator - Ventilator	2Zone Standard	
	82.9077	OG7185	Kabel: X0 - RL - Heizung 3kW	Cable: X0 - RL - Heating 3kW	2Zone Standard	
	82.9083	OG7193	Kabel: Sparta - N - Schalter - P	Cable: Sparta - N - Switch - P	2Zone Standard	
	82.9224.01	OG7231	Kabel: Schalter - Contactor KS	Cable: Switch - Contactor KS	2Zone Standard	
	82.9044.02	OG6181	Kabel: Sparta - Potentiometer	Cable: Sparta - Potentiometer	2Zone D850	
	82.9081	OG7191	Kabel: Sparta - N - Schalter P	Cable: Sparta - N - Switch - P	2Zone D850	
	82.9113.01	OG7355	Kabel: Anzeigelampe-A5 FCT	Cable: Indicator light -A5 FCT	2Zone D850	
	82.9213	OG7007	Kabelbaum 2Z Marine	Wiring harness 2Z Marine	2Zone Marine	
	82.9002	OG6897	Kabel: Display - Display L290	Cable: Display - Display L290	D800/D900	
	82.9284.01		Kabel: Solidtop Stromversorgung 1S	Cable: Solidtop Power Supply 1S	2Zone 1-side	
	82.9284.02		Kabel: Solidtop Stromversorgung 2S	Cable: Solidtop Power Supply 2S	2Zone 2-sides	
	82.9234	OG8024	Kabel: X0 - RL - Heizung 2Z 3kW	Cable: X0 - RL - Heating 2Z 3kW	2Zone Standard	
	82.9086	OG7279	Kabel: Sparta - N - Schalter P	Cable: Sparta - N - Switch - P	2Zone 2-sides	
	82.9214	OG7008	Kabel: 2 Zonen 2-seitig Marine	Cable: 2 zones 2-sides Marine	2Zone 2-sides Marine	

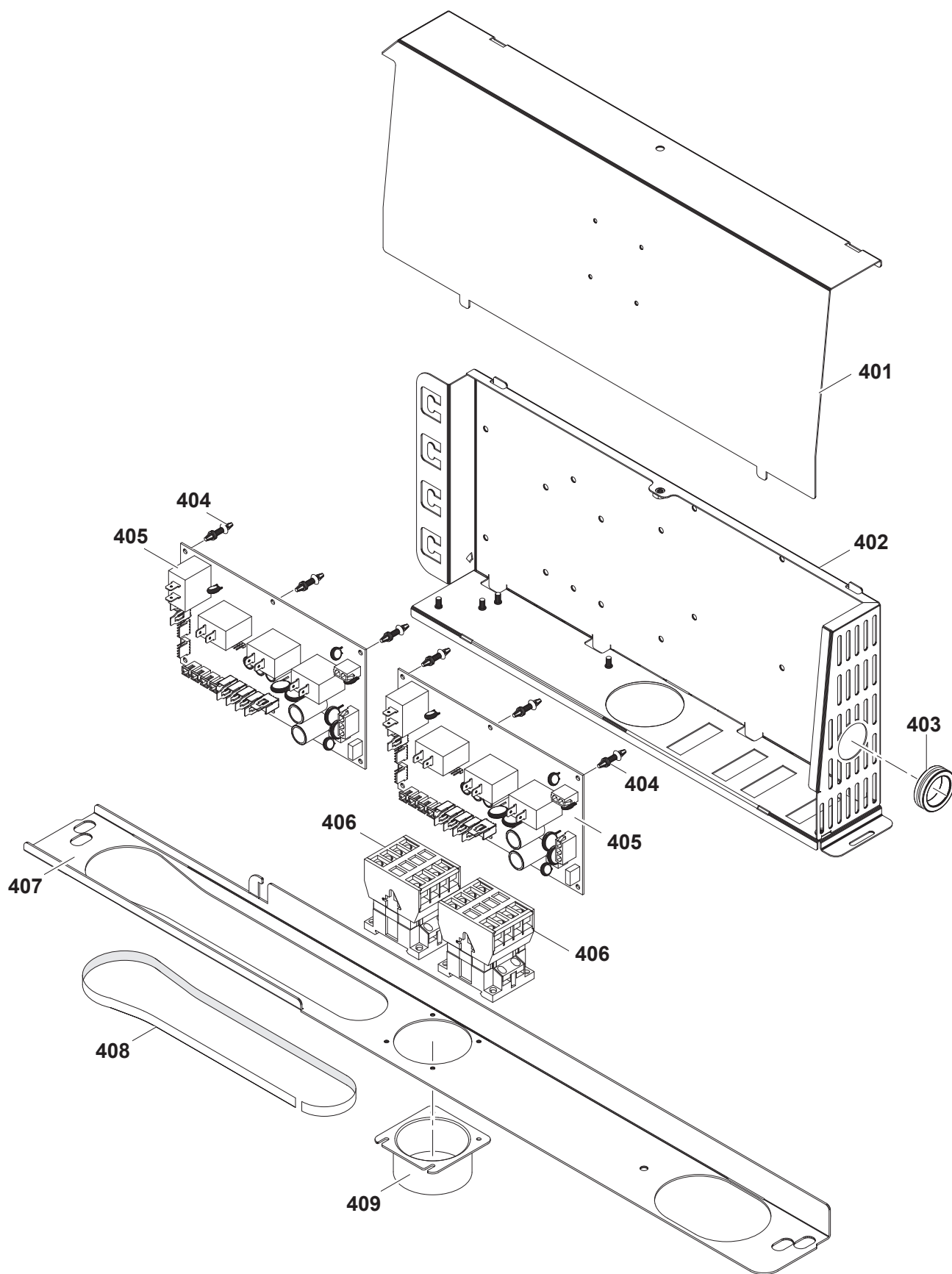
* Components on demand
* Teile auf Anfrage

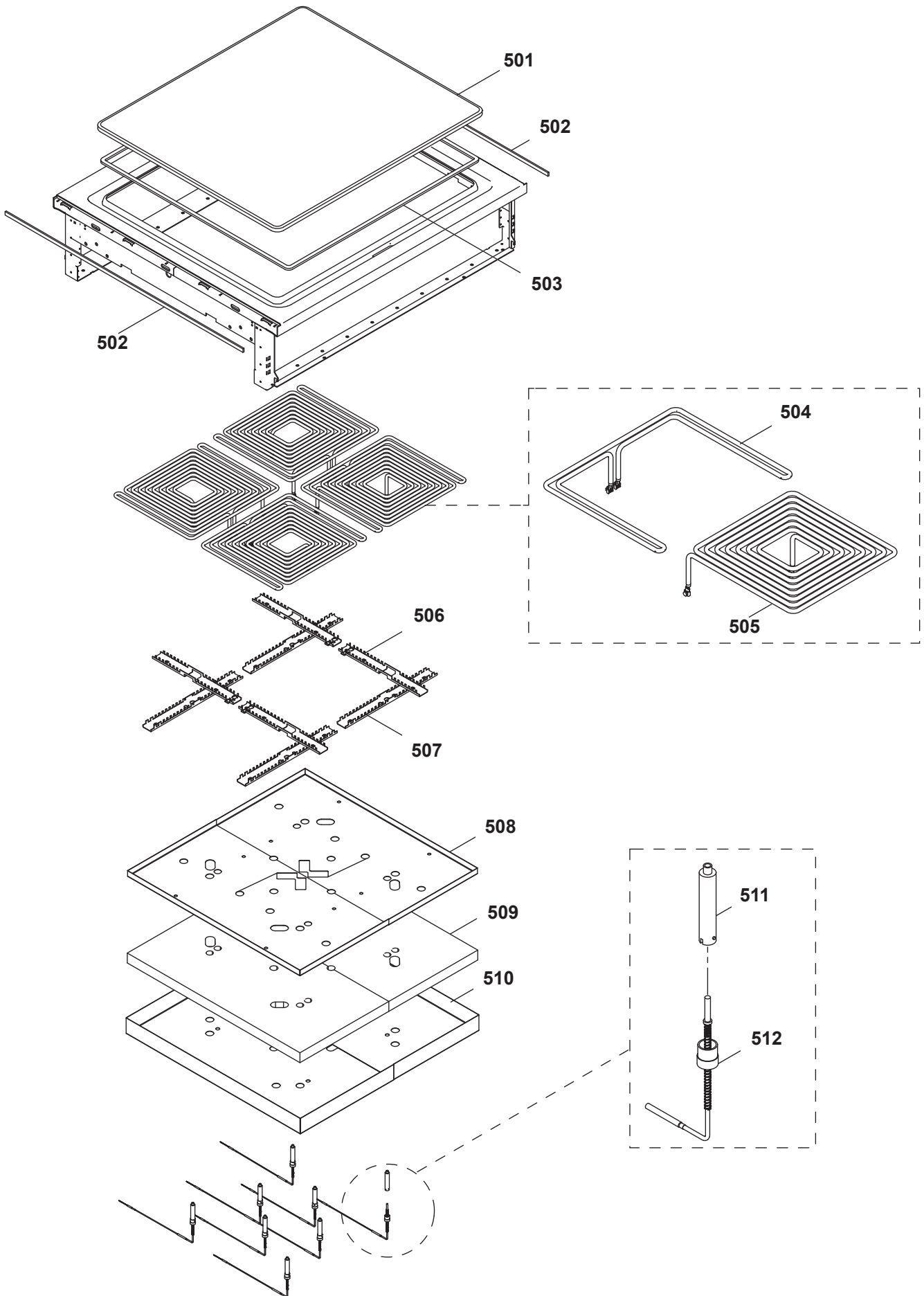




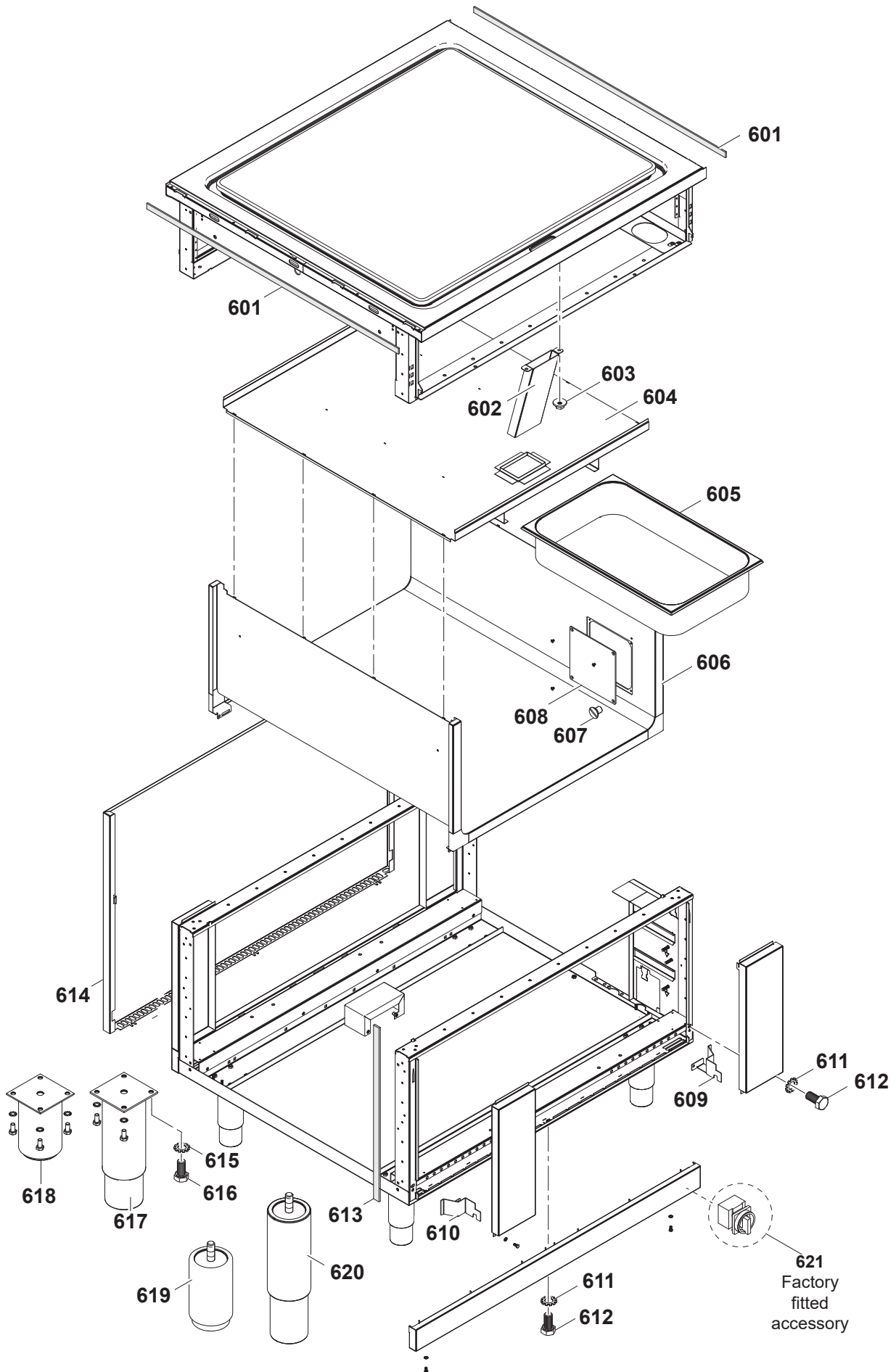
3	Alias	Code	Bezeichnung	Description	Ref.	Valid from Serial N°
301	82.3004.01	OG7448	Halterung Ventilationsbox L=100	Ventilation box support	all types	
302	82.3002	OG7450	Standardventilationsbox rechts	Ventilation box right	all types	
303	82.3034	*	Elektrobox 4 Zonen	Electrical compartment 4 zones	all types	
303	83.9208	OG8193	Elektrobox UL	Electrical compartment UL	all types for USA	
304	1 201 2086	OG4872	Kantenschutz	Edge protection	all types	
305	82.3045	OG7012	Aufsteckblech	Conductor box	all types	
306	82.9228	OC2247	Schütz K2-30A00-40	Conductor K2-30A00-40	all types	
306	82.9262	OC5051	Schütz K3-32A00 180 USA	Conductor K3-32A00 180 USA	all types for USA	
307	1 115 1757	OG4645	Schütz K3-14x027	Conductor K3-14x027	all types	
307	82.9262	OC5051	Schütz K3-32A00 180 USA	Conductor K3-32A00 180 USA	all types for USA	
308	82.3001	*	Standardventilationsbox links	Ventilation box left	all types	
309	82.7550.02	OG9046	Rohrstutzen schräg	Pipe socket angled	all types	
310	87.9204	OCB130	Sicherungshalter Schurter 6.3x32 500V	Fuse holder Schurter 6.3x32 500V	Marine	
311	82.9171	OTTR73	Sicherung 6.3x32 0.63A 500V	Fuse 6.3x32 0.63A 500V	Marine	
312	82.9014	OG6245	Schalter off-Lin-Stby + 10k Poti	Switch off-Lin-Stby + 10k poti	all types	
312	82.9244		Schalter off-Lin-Stby + 10k Poti (Marine)	Switch off-Lin-Stby + 10k poti (marine)	Marine	
313	82.7015	OG6246	Eurotas Display	Eurotas Display	D800/900	
313	82.7015	OG7091	Eurotas Display	Eurotas Display	D800/D900	6101...
313	72.5938.04	OKI362	Anzeigelampe grün	Indicator light, green	D850	
313	72.5938.08	OKI364	Einsteckfassung grün/gelb Ø10mm	Lamp holder, green/yellow, Ø10mm	D850	
313	72.5938.03	OKI361	Anzeigelampe klar	Indicator light, clear	D850	
313	72.5938.07	OKI363	Einsteckfassung klar Ø10mm	Lamp holder, clear, Ø10mm	D850	
313	72.5938.10	OG8192	Glimmlampe grün UL	Indicator light green UL	D850 for USA	
313	72.5938.11	OG4247	Glimmlampe klar UL	Indicator light clear UL	D850 for USA	

3	Alias	Code	Bezeichnung	Description	Ref.	Valid from Serial N°
314	82.1027.115	*	Bedienblende 800 IS (Schublade)	Control panel 800 IS (drawer)	m	
314	82.1027.116	*	Bedienblende 800 IS	Control panel 800 IS	n o	
314	82.1049.53	*	Bedienb. 800 IS INOX (Schublade)	Control panel 800 IS INOX (drawer)	p	
314	82.1049.79	*	Bedienblende 800 IS INOX	Control panel 800 IS INOX	q	
314	82.1027.53	*	Bedienblende 1000 IS (Schublade)	Control panel 1000 IS (drawer)	r u	
314	82.1027.52	*	Bedienblende 1000 IS	Control panel 1000 IS	s t v	
314	83.2767.01	OG8194	Bedienb. 1000 IS INOX (Schublade)	Control panel 1000 IS INOX (drawer)	for USA	
315	82.7009	OG6247	Dichtung Drehgriff	Sealing for handle		
315	82.7628	OG8603	Dichtung Drehgriff	Sealing for handle	Colored M2M	
316	82.9124.01	OG6369	Drehgriff Kpl	Handle complete kit		
316	82.6638.01	OG8620	Drehgriff Kpl	Handle complete kit	Colored M2M	
317	76.3011.01	OG3093	Distanzhalter 8mm	Spacer 8mm	D800/900	
318	712 044120.04	OG4918	Keps-Mutter M4	Keps nut M4	all types	
319	82.9030	OG6075	DC Power Supply 12V	DC Power Supply 12V	4Z 2S	
320	82.9062	OG6231	Temperaturthermostat 50 (Klickson)	Temperature thermostat 50 (Klickson)	4Z 2S	
	82.9001	OG6461	Kabel: Sparta - Display L2200	Cable: Sparta - Display L2200	D800/D900 Standard	
	82.9002	OG6897	Kabel: Display - Display L290	Cable: Display - Display L290	D800/D900 Standard	
	82.9003	OG6899	Kabel: Potentiometer - Display L200	Cable: Potentiometer - Display L200	D800/D900 Standard	
	82.9009	OG6906	Kabel: Sparta - Ventilator L2000	Cable: Sparta - Ventilator L2000	all Standard	
	82.9107	OG7184	Kabel: Sparta - Sparta Kommunikation	Cable: Sparta - Sparta communication	all Standard	
	82.9077	OG7185	Kabel: X0 - RL - Heizungen 12 /3kW	Cable: X0 - RL - heating el. 12 /3kW	D800/850	
	82.9078	OG7186	Kabel: X0 - RL - Heizungen 34 /3kW	Cable: X0 - RL - heating el. 34 /3kW	D800/850	
	82.9079	OG7187	Kabel: X0 - RL - Heizungen 12 /4kW	Cable: X0 - RL - heating el. 12 /4kW	D900	
	82.9080	OG7188	Kabel: X0 - RL - Heizungen 34 /4kW	Cable: X0 - RL - heating el. 34 /4kW	D900	
	82.9125	OG7189	Kabel: Sparta - N - Schalter - P 12	Cable: Sparta - N - switch - P 12	D900	
	82.9126	OG7190	Kabel: Sparta - N - Schalter - P 34	Cable: Sparta - N - switch - P 34	D900	
	82.9081	OG7191	Kabel: Sparta - N - Schalter - P 12 XD	Cable: Sparta - N - switch - P 12 XD	D850	
	82.9082	OG7192	Kabel: Sparta - N - Schalter - P 34 XD	Cable: Sparta - N - switch - P 34 XD	D850	
	82.9083	OG7193	Kabel: Sparta - N - Schalter - P 12	Cable: Sparta - N - switch - P 12	D800	
	82.9084	OG7194	Kabel: Sparta - N - Schalter - P 34	Cable: Sparta - N - switch - P 34	D800	
	82.9022.03	OG7195	Kabel: Schalter S2/3 - Schalter S4 kurz	Cable: switch S2/3 - switch S4 short	all Standard	
	82.9224.03	OG7383	Kabel: Schalter - Schütz KS	Cable switch - Sconductor KS	all Standard	
	82.9113.01	OG7355	Kabel: Anzeigelampe - A5 FCT	Cable: Indicator light - A5 FCT	D850	
	82.9113.02	OG7355	Kabel: Anzeigelampe - A6 FCT	Cable: Indicator light - A6 FCT	D850	
	82.9044.02	OG6181	Kabel: Sparta - Potentiometer L200	Cable: Sparta - potentiometer L200	D850	
	82.9198	OG6946	Kabelbaum 4Z Marine	Wiring harness 4Z Marine	4Zones Marine	
	82.9235	OG7834	Kabel: X0 - RL - Heizung 4Z 3kW	Cable: X0 - RL - Heating 4Z 3kW	4Zones Standard	
	82.9137	OG7197	Kabel: Ventilator - Ventilator	Cable: Ventilator - Ventilator	4Zones 2-sides	
	82.9237	OG7844	Kabel: X0 - RL - Heizung 4Z 4kW	Cable: X0 - RL - Heating 4Z 4kW	4Zones 2-sides	
	82.9022.05	OG7368	Kabel: Schalter S2 - Schalter S3 lang	Cable: Switch S2 - Switch S3 long	4Zones 2-sides	
	82.9284.02		Kabel: Solidtop Stromversorgung 2S	Cable: Solidtop Power Supply 2S	4Zones 2-sides	
	82.9215		Kabel: 4 Zonen 2-seitig Marine	Cable: 4 zones 2-sides Marine	4Zones 2-sides Marine	
	82.9253	OG8183	Kabel: UL X0-RL - Heizung 4Z 4kW	Cable: UL X0-RL - Heating 4Z 4kW	D900 for USA	
	82.9254	OG8184	Kabel: UL Sparta -L- Schalter - P12	Cable: UL Sparta -L- switch - P12	D900 for USA	
	82.9255	OG8185	Kabel: UL Sparta -L- Schalter - P34	Cable: UL Sparta -L- switch - P34	D900 for USA	
	82.9548	OG8186	Kabel: UL Sparta -L- Schalter - P12 XD	Cable: UL Sparta -L- switch - P12 XD	D850 for USA	
	82.9549	OG8187	Kabel: UL Sparta -L- Schalter - P34 XD	Cable: UL Sparta -L- switch - P34 XD	D850 for USA	
	82.9530	OG8188	Kabel: UL Display - Display L290	Cable: UL Display - Display L290	D800/D900 for USA	
	82.9531	OG8189	Kabel: UL Potentiometer-Dispaly L200	Cable: UL Potentiometer-Display L200	D800/D900 for USA	
	82.9528	OG8135	Kabel: UL Sparta - Ventilator L2000	Cable: UL Sparta - Ventilator L2000	for all USA	
	82.9546.02	OG8258	Kabel: UL Sparta - Poti L2000	Cable: UL Sparta - poti L2000	D850 for USA	
	82.9533	OG8190	Kabel: UL Ventilator - Ventilator	Cable: UL Ventilator - Ventilator	for all USA	
	82.9559	OG8191	Kabel: UL Trafo - Ventilator L2000	Cable: UL Trafo - Ventilator L2000	for all USA	

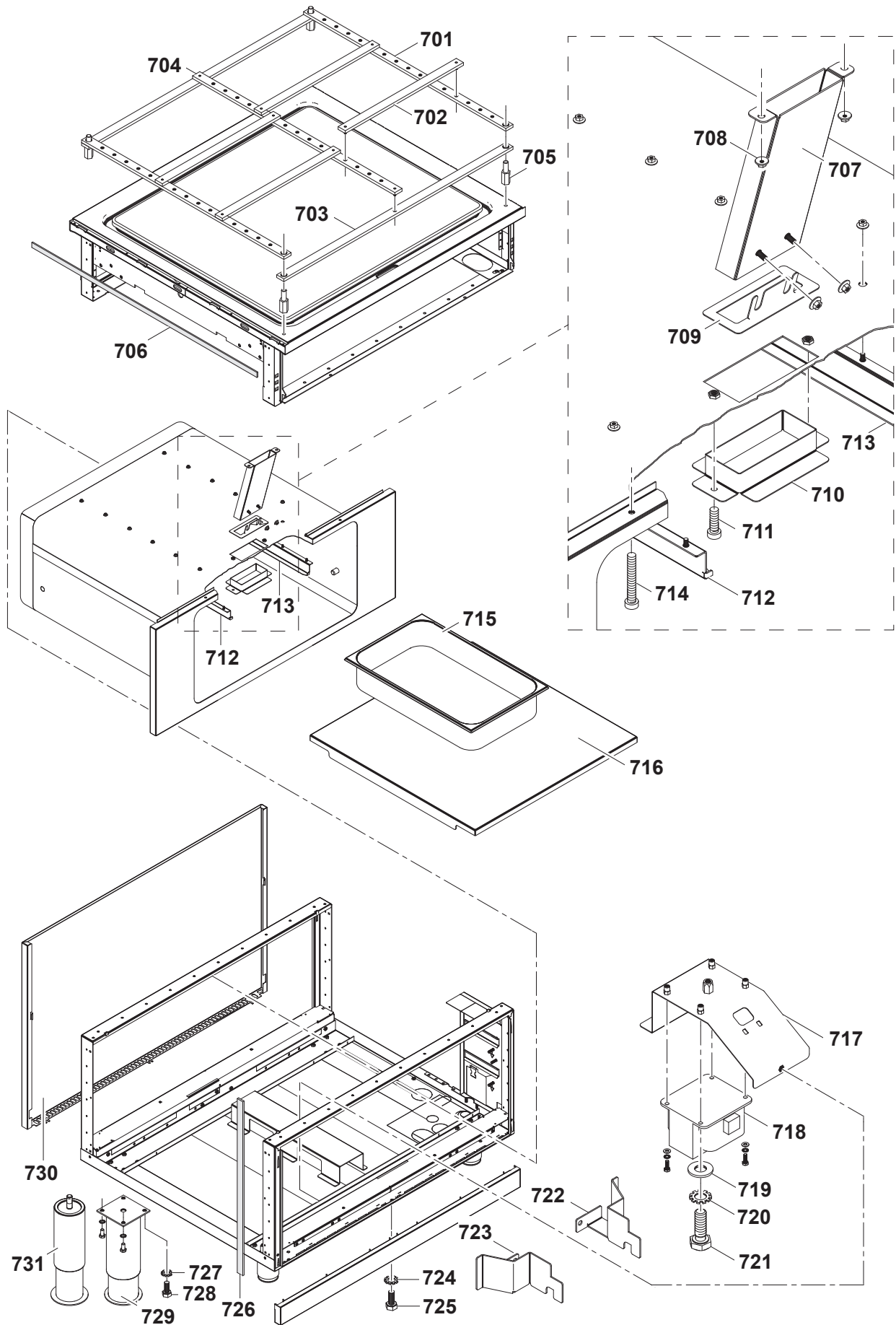




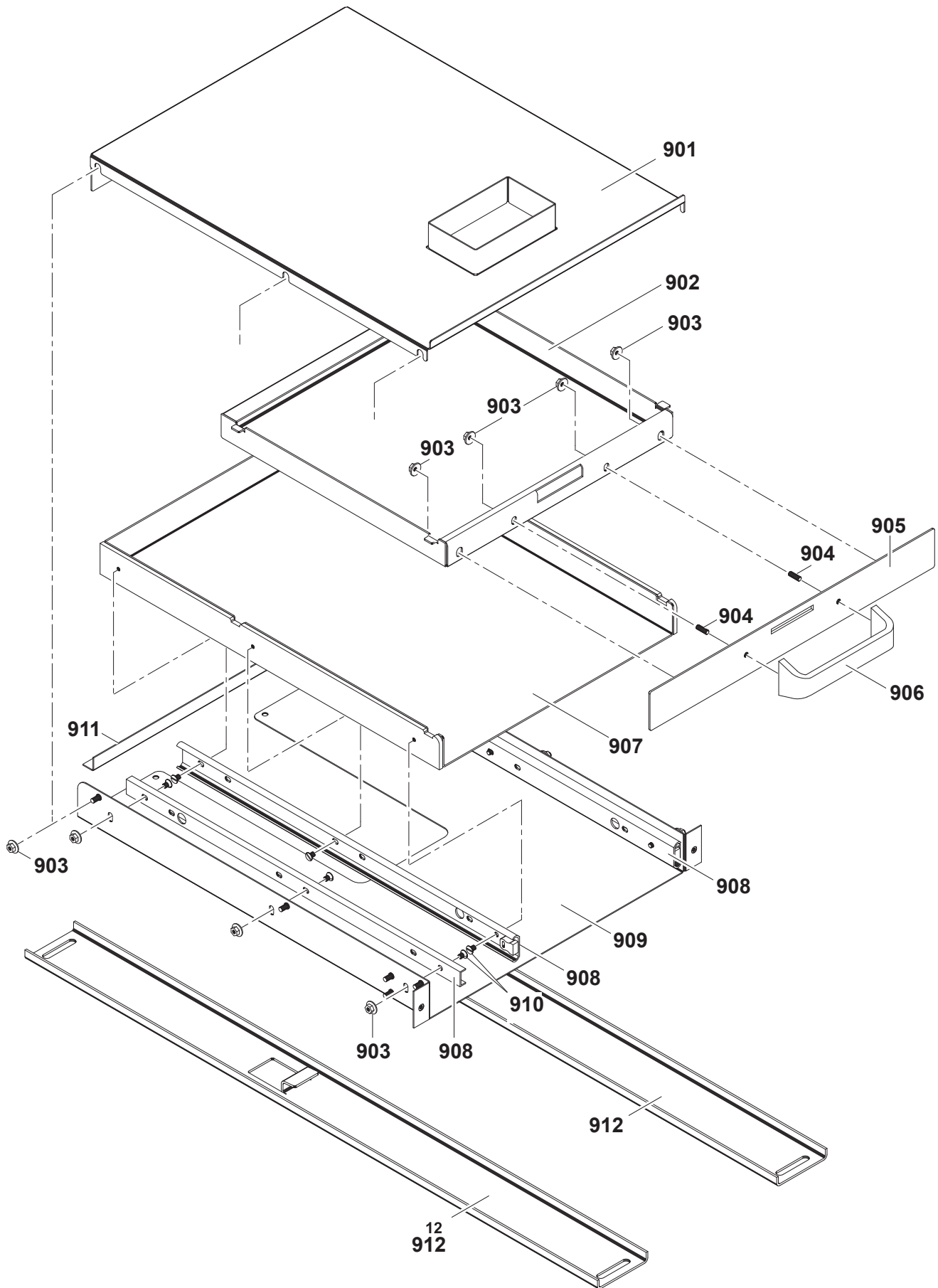
5	Alias	Code	Bezeichnung	Description	Ref.	Valid from Serial N°
501	82.7324.01	OG6697	Platte Free cooking Top 1000x900 14mm	Plate Free cooking Top 1000x900 14mm	W1000/D900	until 8341...
501	82.7322.01	OG7828	Platte Free cooking Top 800x800/850 14mm	Plate Free cooking Top 800x800/850 14mm	W800/D800/850	until 8341...
501	82.3123.01	OG8160	Platte Free cooking Top 800x800/850 20mm	Plate Free cooking Top 800x800/850 20mm	W800/D800/850	8351...
501	82.3123.04	OG8163	Platte Free cooking Top 800x800/850 20mm UL	Plate Free cooking Top 800x800/850 20mm UL	W800/D800/850 for USA	8351...
501	82.3124.01	OG8165	Platte Free cooking Top 1000x900 20mm	Plate Free cooking Top 1000x900 20mm	W1000/D900	8351...
501	82.3124.04	OG8168	Platte Free cooking Top 1000x900 20mm UL	Plate Free cooking Top 1000x900 20mm UL	W1000/D900 for USA	8351...
501	82.7589.01	OG8177	Platte KPL Free cooking Top 800x800/850 20mm	Plate CPL Free cooking Top 800x800/850 20mm	W800/D800/850	8351...
501	82.7584.01	OG7968	Platte KPL Free cooking Top 1000x900 20mm	Plate CPL Free cooking Top 1000x900 20mm	W1000/D900	8351...
502	82.7464	OC2496	Dichtband (klebend)	Sealing strip	all 4 Zone	
503	82.7551	OG7755	Dichtband Platte	Sealing strip plate	all 4 Zone	until 8381...
503	82.7611	OG8506	Dichtband Platte	Sealing strip plate	all 4 Zone	8391...
504	82.7166.02	OG6252	Heizelement 1kW 230V	Heating element 1kW 230V	Standard 4Z/D900	
504	82.7166.07	OG6951	Heizelement 1kW 440V (Marine)	Heating element 1kW 440V (marine)	Marine 4Z/D900	
504	82.7166.03	OG8263	Heizelement 1kW 208V	Heating element 1kW 208V	for USA	
505	82.7257.02	OG6251	Heizelement 3kW 230V	Heating element 3kW 230V	Standard 4Z/D900	
505	82.7257.07	OG6952	Heizelement 3kW 440V (Marine)	Heating element 3kW 440V (marine)	Marine 4Z/D900	
505	82.7257.03	OG8133	Heizelement 3kW 208V	Heating element 3kW 208V	for USA	
506	82.2232	OG7203	Heizungshalter längs 800	Heating element support lengthwise	4Zone, D800/850	
506	82.2188	OG7204	Heizungshalter längs 1000	Heating element support lengthwise	4Zone, D900	
507	82.2231	OG7205	Heizungshalter quer 800	Heating element support crosswise	4Zone, D800/850	
507	82.2187	OG7206	Heizungshalter quer 1000	Heating element support crosswise	4Zone, D900	
508	82.2233	OG7207	Strahlungsblech 800	Radiation sheet 800	4Zone, D800/850	until 0222...
508	82.3227	OG8850	Strahlungsblech 800	Radiation sheet 800	4Zone, D800/850	0230...
508	82.2189	OG7208	Strahlungsblech 1000	Radiation sheet 1000	4Zone, D900	until 0222...
508	82.3225	OG8852	Strahlungsblech 1000	Radiation sheet 1000	4Zone, D900	0230...
509	82.7307.01	OG7209	Isolation Heizelement 3kW	Insulation heating element 3kW	4Zone, D800/850	until 0222...
509	82.3231	OG8849	Isolation Heizelement 800	Insulation heating element 800	4Zone, D800/850	0230...
509	82.7307.02	OG7210	Isolation Heizelement 4kW	Insulation heating element 4kW	4Zone, D900	until 0222...
509	82.3229	OG8853	Isolation Heizelement 1000	Insulation heating element 1000	4Zone, D900	0230...
510	82.2234	OG7211	Verschalung 800	Cover sheet 800	4Zone, D800/850	until 0222...
510	82.3223	OG8848	Verschalung 800	Cover sheet 800	4Zone, D800/850	0230...
510	82.2190	OG7212	Verschalung 1000	Cover sheet 1000	4Zone, D900	until 0222...
510	82.3221	OG8851	Verschalung 1000	Cover sheet 1000	4Zone, D900	0230...
511	75.9013.04	OKE127	Fühlerschutz	Sensor protection	all 4 Zone	
512	87.9045	OG5935	TC Bodenfühler rechts (blau)	TC bottom sensor right (blue)	all 4 Zone	

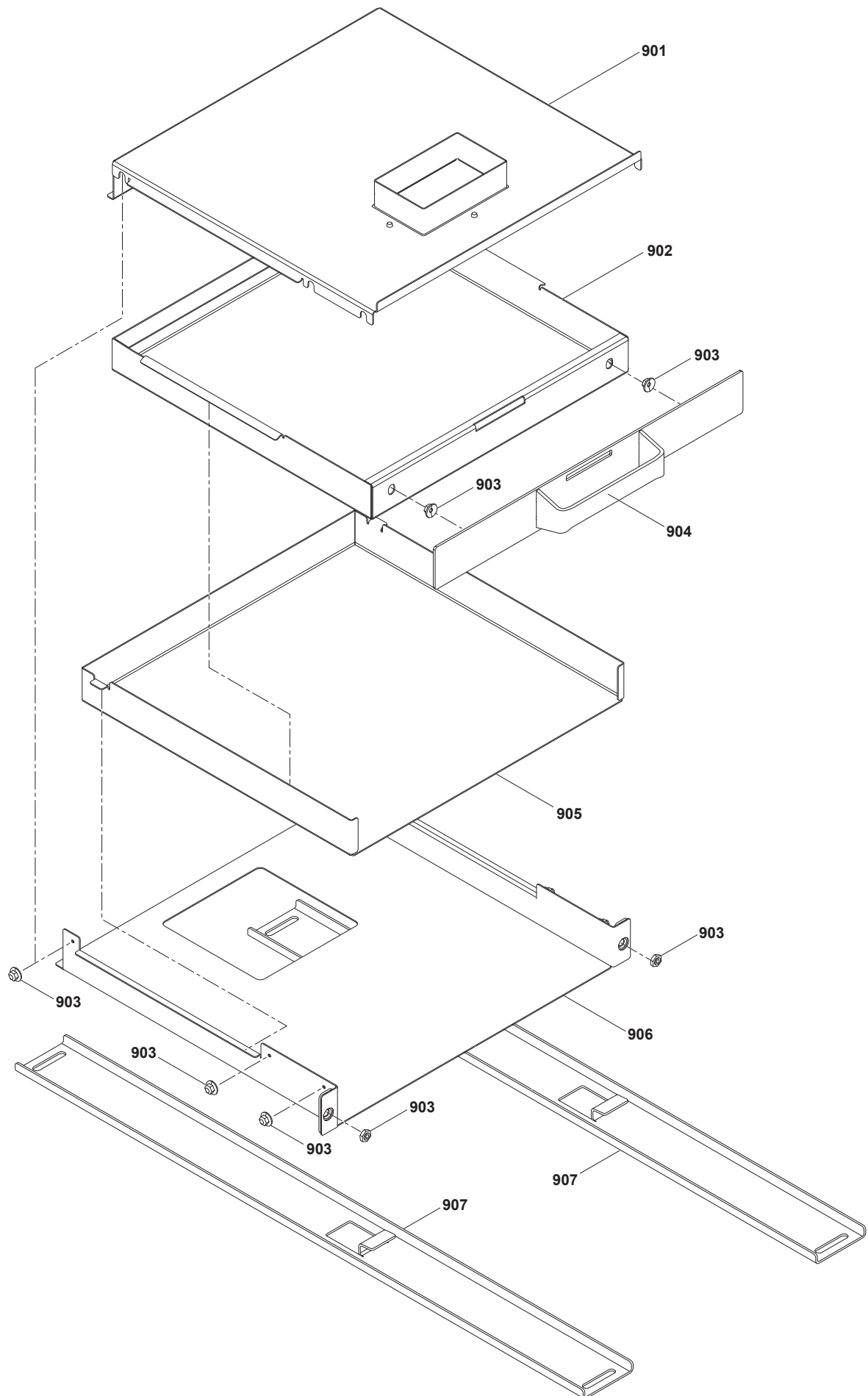


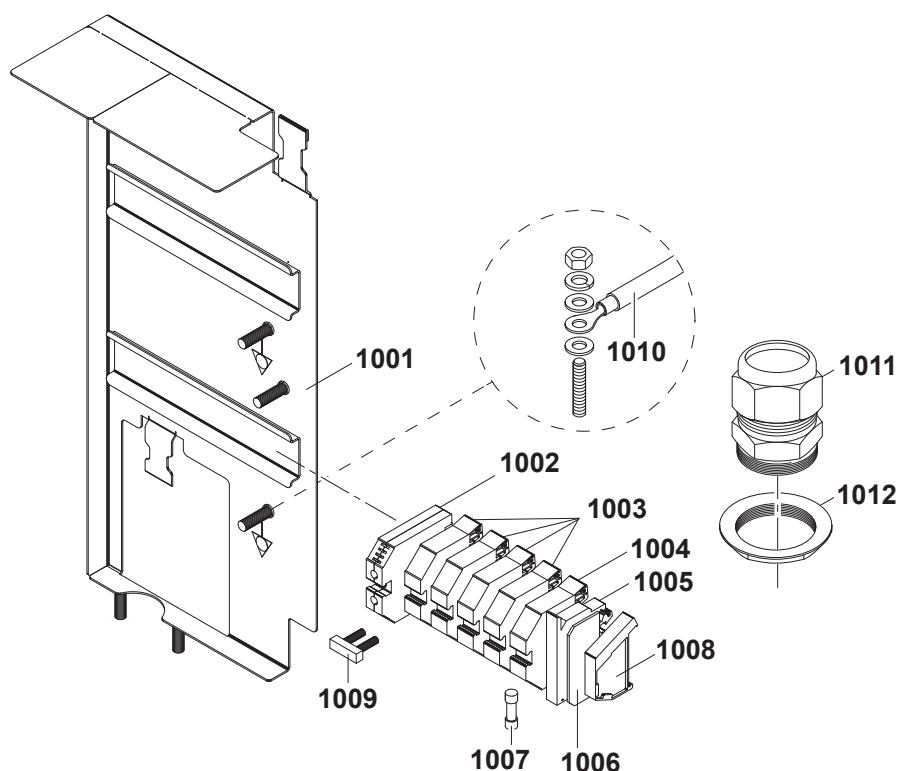
6	Alias	Code	Bezeichnung	Description	Ref.	Valid from Serial N°
601	82.7464	OC2496	Dichtband (klebend)	Sealing strip	all types	
602	82.0651	OG7294	Ablauf in Korpus	Drain in copus	H700/800	
603	712 044120.04	OG4918	Kep-Mutter M4	Keps nut M4	H700/800	
604	82.0101.13	*	Korpusdeckel H2 W500/D800/900/850	Cover for corpus H2 W500/D800/900/850	b c e g h	
604	82.0101.14	*	Korpusdeckel H2 W800/D800/850	Cover for corpus H2 W800/D800/850	n o q	
604	82.0101.19	*	Korpusdeckel H2 W1000/D900	Cover for corpus H2 W1000/D900	s t	
605	1 110 1355	OS1733	Schale 1/1 GN H100	Container GN 1/1 H100	4Zone, H700/800	
605	82.7333	OG7382	Schale 1/3GN H100	Container GN 1/3 H100	2Zone, H700/800	
606	82.0220.01	OG7048	Korpus komplett W500 1S H2 D800/900	Corpus complete W500 1S H2 D800/900	b c g h	
606	82.2436.04	*	Korpus komplett W500 1S NHC D850	Corpus complete W500 1S NHC D850	e	
606	82.0220.11	OG7046	Korpus komplett W800 1S H2 D800	Corpus complete W800 1S H2 D800	o	
606	82.2436.09	OG7047	Korpus komplett W800 1S NHC D850	Corpus complete W800 1S NHC D850	q	
606	82.0220.21	*	Korpus komplett W1000 1S H2 D900	Corpus complete W1000 1S H2 D900	s t v	
607	1 701 1145	OG6758	Senkkopfschraube M4x6	Countersunk screw M4x6	H700/800	
608	82.0223.01	OG6757	Deckel Servicefenster	Cover plate	H700/800	
609	82.0113.02	OG7385	Leitblech H700 rechts	Aeration sheet right H700	H700	
609	82.0113.12	OG7388	Leitblech H800 rechts	Aeration sheet right H800	H800	
610	82.0113.01	OG7386	Leitblech H700 links	Aeration sheet left H700	H700	
610	82.0113.11	OG7387	Leitblech H800 links	Aeration sheet left H800	H800	
611	1 701 7002	OG2923	Fächerscheibe M5	Fan washer M5	H700/800	
612	1 701 2579	OG4020	Sechskantschraube M5x16	Hex bolt M5x16	H700/800	
613	82.7467	OC7307	Dichtung 5mm	Sealing sides 5mm	H700/800	5101...
614	82.1102.04	*	Rückwand 1S 500x700	Back panel 1S 500x700	2Zone/H700	
614	82.1102.24	*	Rückwand 1S 500x800	Back panel 1S 500x800	2Zone/H800	
614	82.1102.07	OG7286	Rückwand 1S 800x700	Back panel 1S 800x700	n	
614	82.1102.27	*	Rückwand 1S 800x800	Back panel 1S 800x800	o	
614	82.1102.09	*	Rückwand 1S 1000x700	Back panel 1S 1000x700	s v	
614	82.1102.29	*	Rückwand 1S 1000x800	Back panel 1S 1000x800	t	
615	1 701 5051	OG6753	Fächerscheibe M6	Fan washer M6	H700/800	
616	1 701 2600	OKT919	Sechskantschraube M6x12	Hex bolt M6x12	H700/800	
617	86.0001	OG5391	Stellfuß 2" 145-252mm rund	Adjustable feet 2" 145-252mm, round	H700	
618	86.2385	OG6140	Stellfuß 2" 100mm	Adjustable feet 2" 100mm	H800	
619	82.0350.02	OG7957	Fuss M10 100mm	Foot M10 100mm	H800	7141...
620	82.0350.01	OG7958	Fuss M10 200mm	Foot M10 200mm	H700	7141...
621	76.9164.01	OG2137	Hauptschalter 25A	Main switch 25A	2 zones, H800	8041...
621	76.9164.02	OK4979	Hauptschalter 63A	Main switch 63A	4 zones, H800	8041...



7	Alias	Code	Bezeichnung	Description	Ref.	Valid from Serial N°
	83.3769	OG7016	Schlingerstnage komplet 500	Set roling racks 500	2Zones Marine	
	83.3745	OG7017	Schlingerstnage komplet 1000	Set roling racks 1000	4Zones Marine	
701	83.3741	OG7218	Schiene-1000 15xØ8	Rolling rack-1000 15xØ8	4Zones Marine	
701	83.3768	OG7295	Schiene-500 15xØ8	Rolling rack-500 15xØ8	2Zones Marine	
702	83.3744	OG7219	Schiene-1000 2xØ6	Rolling rack-1000 2xØ6	4Zones Marine	
702	83.3767	OG7296	Schiene-500 2xØ6	Rolling rack-500 2xØ6	2Zones Marine	
703	83.3743	OG7220	Schiene-1000 2xØ17	Rolling rack-1000 2xØ17	4Zones Marine	
703	83.3766	OG7297	Schiene-500 2xØ17	Rolling rack-500 2xØ17	2Zones Marine	
704	83.3742	OG7221	Schiene-1000 15xØ8 mittig	Rolling rack-1000 15xØ8 mittig	4Zones Marine	
705	82.7495	OG7362	Abstandsbolzen 22x80/M8	Spacer bolt 22x80/M8	all types Marine	
706	82.7464	OC2496	Dichtband (klebend)	Sealing strip	all types Marine	
707	82.0705	OG7010	Ablauf in Korpus	Drain in copus	H700 Marine	
708	712 044120.04	OG4918	Kep-Mutter M4	Keps nut M4	H700 Marine	
709	82.0704		Spritzschutzdeckel	Splash protection	H700 Marine	
710	82.0706	OG7009	Stutzen zu Ablauf	Drain flange	H700 Marine	
711	1 701 1069	OG6959	Flachkopfschraube M5x12	Flat head screw M5x12	H700 Marine	
712	82.0265.01	OG7272	Halter GN-Schale links (Marine)	GN container suport left	H700 Marine	
712	82.0265.03	OG7273	Halter GN-Schale rechts (Marine)	GN container suport right	H700 Marine	
714	1 701 1150	OG7041	Flachkopfschraube M5x45	Flat head screw M5x45	H700 Marine	
715	1 110 1355	OS1733	Schale 1/1 GN H100	Container GN 1/1 H100	4Zone/H700 Marine	
715	82.7333	OG7382	Schale 1/3GN H100	Container GN 1/3 H100	2Zone/H700 Marine	
716	83.3718.01	OG6890	Tablar 400 für H3 Korpus	Shelf for 400 H3 corpus	2Zone/H700 Marine	
716	83.3718.03	OG6920	Tablar 900 für H3 Korpus	Shelf for 900 H3 corpus	4Zone/H700Marine	
717	82.3029	OG7057	Halteblech	Metal support	all types Marine	
718	82.9209	006710	Autotransformer 0-240-400-440V - 150VA	Autotransformer 0-240-400-440V - 150VA	all types Marine	
719	1 701 3502	OG3595	Unterlegscheibe M4	Washer M4	all types Marine	
720	1 701 7060	OG8920	Fächerscheibe M4	Fan washer M4	all types Marine	
721	1 701 2629	OG5854	Sechskantschraube M4x12	Hex bolt M4x12	all types Marine	
722	82.0113.02	OG7385	Leitblech H700 rechts	Aeration sheet right H700	H700 Marine	
723	82.0113.01	OG7386	Leitblech H700 links	Aeration sheet left H700	H700 Marine	
724	1 701 7002	OG2923	Fächerscheibe M5	Fan washer M5	H700 Marine	
725	1 701 2579	OG4020	Sechskantschraube M5x16	Hex bolt M5x16	H700 Marine	
726	82.7467	OC7307	Dichtung 5mm	Sealing sides 5mm	H700 Marine	
727	1 701 5051	OG6753	Fächerscheibe M6	Fan washer M6	H700 Marine	
728	1 701 2600	OKT919	Sechskantschraube M6x12	Hex bolt M6x12	H700 Marine	
729	83.3728	OG6886	Stellfuß 2" Marine 145-252mm	Adjustable feet 2" Marine 145-252mm	H700 Marine	
730	82.1020.05	OG7280	Rückwand 500x700	Back panel 500x700	2Zones/H700 Marine	
730	82.1020.10	OG7281	Rückwand 1000x700	Back panel 1000x700	4Zones/H700 Marine	
731	82.0350.03	OG9239	Fuss M10 200mm Marine	Foot M10 200mm Marine	H700 Marine	







10	Alias	Code	Bezeichnung	Description	Ref.	Valid from Serial N°
1001	82.3030.02	OG6423	Klemmenträger	Terminal support	all types	
1001	82.3051	OG7430	Klemmenträger	Terminal support	all types	5431...
1002	75.2011.03	OKX291	Schutzleiterklemme 16mm ²	Ground conductor terminal 16mm ²	all types	
1003	75.2010.40	OKI280	Reihenklemme 16mm ² grau	Terminal block 16mm ² grey	all types	
1004	75.2010.41	OG3488	Nullleiterklemme 16mm ² blau	Neutral wire terminal 16mm ² blue	all types/not in Marine	
1005	75.2012.01	OK5155	Sicherungsklemme	Fuse holder terminal	all types	
1006	75.2012.02	OT2599	Abschlusswand	Cover for fuse holder terminal	all types	
1007	712 344362.01	OG5814	Sicherung 5x20 1 00A	Fuse 5x20 1 00AF	all types	
1008	75.2013	OKX290	Arretierstück	Fixation	all types	
1009	75.2010.44	OKT731	Querverbinder	Cross connection	all types	
1010	82.9103	OG6424	Kabel Haupterd draht L400 6mm ²	Main earthing cable L400 6mm ²	all types	
1010	62.1504.03	OG5977	Verdrahtung 2.5mmx800	Wiring 2.5mmx800	all types	
1011	82.2809	OC0068	PG21 Kabelverschraubung	Cable gland PG21	all types	
1012	82.9226	OG7024	PG21 Sicherungsmutter	Lock nut PG21	all types	