

THERMALINE 80/85/90

- DE** EL. BRAT- UND KOCHPLATTEN AUF BACKOFEN
 EL. BRAT- UND KOCHPLATTEN AUF WÄRMESCHRANK
EN EL. FREE COOKING TOPS ON STATIC OVEN
 EL. FREE COOKING TOPS ON WARMING CABINET

Units with oven

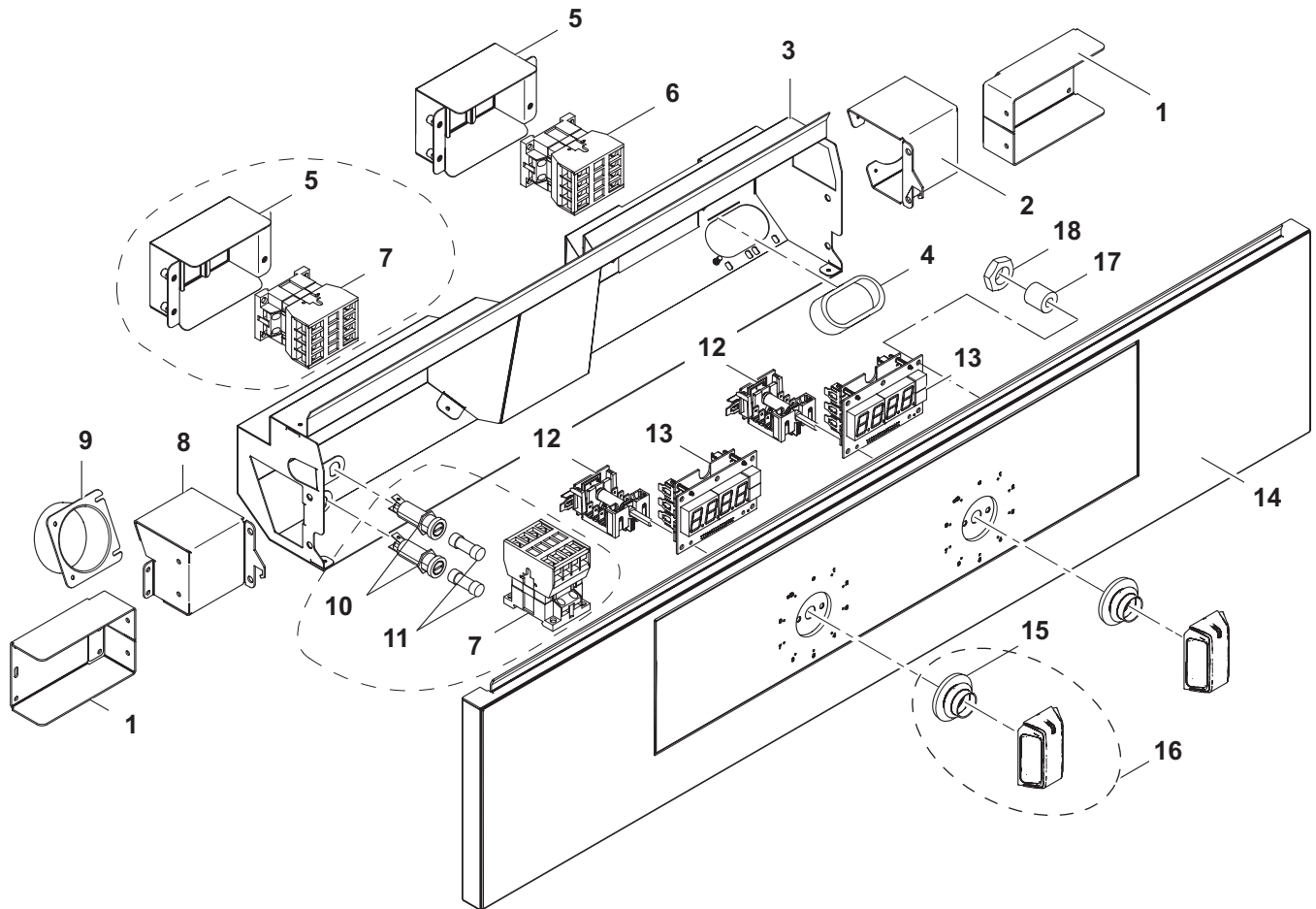
PNC	Factory Model	Ref.	Description
588423	MATGEAH8AO	a	FREE COOKING TOP ON OVEN, 800X800X700H
588424	MATGEBH8AO	a	FREE COOKING TOP ON OVEN, C-BOARD, 800X800X700H
588425	MATGFAH8AO	b	FREE COOKING TOP ON OVEN, 800X800X800H
588426	MATGFBH8AO	b	FREE COOKING TOP ON OVEN, C-BOARD, 800X800X800H
588696	MBTGGBH8AO	c	FREE COOKING TOP ON OVEN, C-BOARD, 800X850X700H
589661	MCTGEAJ8AO	d	FREE COOKING TOP ON OVEN, 1000X900X700H
589662	MCTGEBJ8AO	d	FREE COOKING TOP ON OVEN, C-BOARD, 1000X900X700H
589663	MCTGFAJ8AO	e	FREE COOKING TOP ON OVEN, 1000X900X800H
589664	MCTGFBJ8AO	e	FREE COOKING TOP ON OVEN, C-BOARD, 1000X900X800H
589894	MCTGEAJ8DM	f	MARINE* FREE COOKING TOP ON OVEN, 1000X900X700H

Units with warming cabinet

PNC	Factory Model	Ref.	Description
588469	MATHEAH4AO	h	FREE COOKING TOP ON WARMING CABINET, 800X800X700H
588470	MATHEBH4AO	h	FREE COOKING TOP ON WARMING CABINET, C-BOARD, 800X800X700H
588471	MATHFAH4AO	k	FREE COOKING TOP ON WARMING CABINET, 800X800X800H
588472	MATHFBH4AO	k	FREE COOKING TOP ON WARMING CABINET, C-BOARD, 800X800X800H
588708	MBTHGBH4AO	l	FREE COOKING TOP ON WARMING CABINET, C-BOARD, 800X850X700H
588709	MBTIGBH4AO	m	FREE COOKING TOP ON WARMING CABINET, C-BOARD, 800X850X700H
589707	MCTHEAJ4AO	n	FREE COOKING TOP ON WARMING CABINET, 1000X900X700H
589708	MCTHEBJ4AO	n	FREE COOKING TOP ON WARMING CABINET, C-BOARD, 1000X900X700H
589709	MCTHFAJ4AO	o	FREE COOKING TOP ON WARMING CABINET, 1000X900X800H
589710	MCTHFBJ4AO	o	FREE COOKING TOP ON WARMING CABINET, C-BOARD, 1000X900X800H

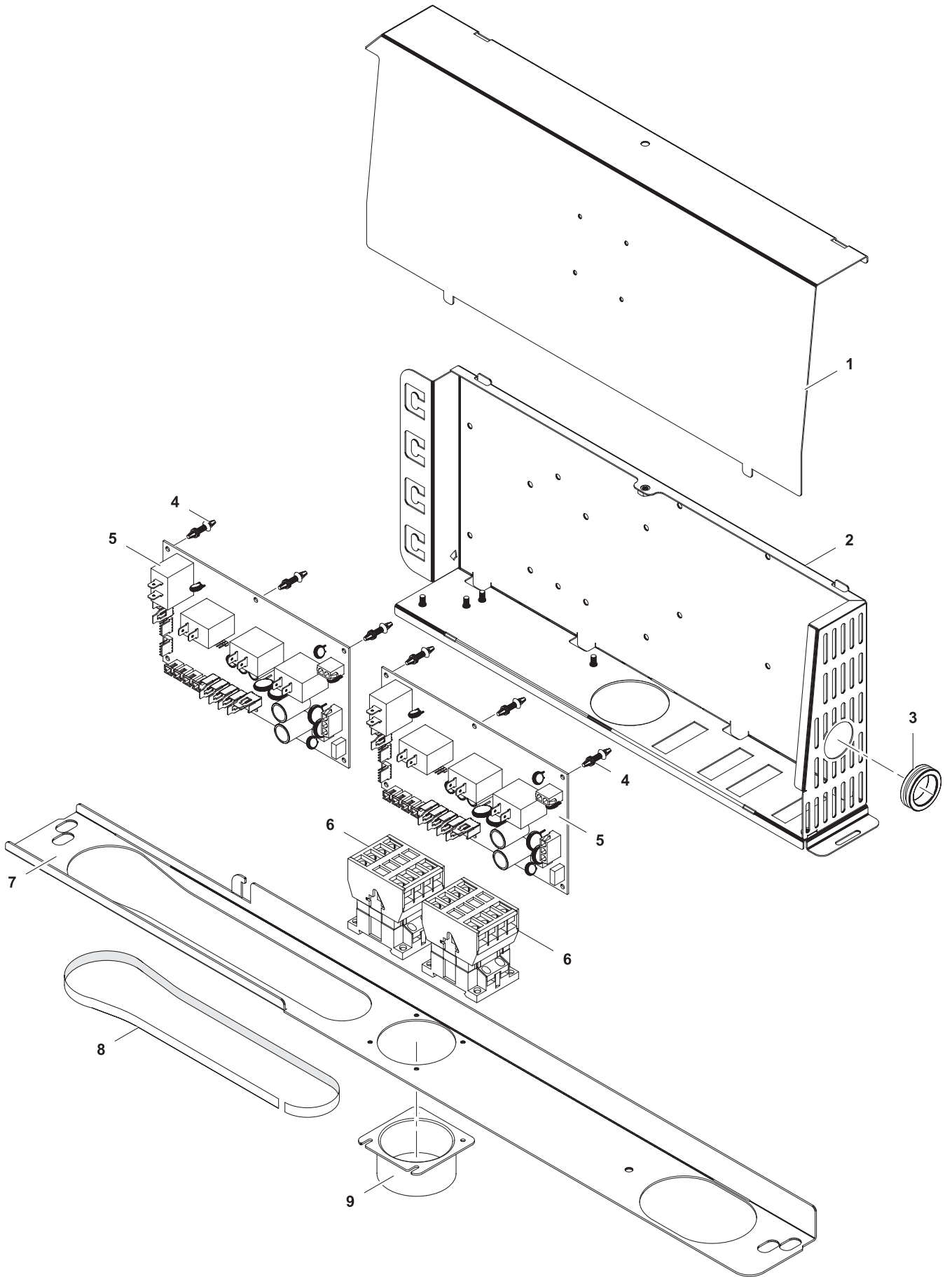
Page	Index	Last Updates	Page	Ref.
2	Electrical compartment	12/2015	all	
4	Sparta box	11/2016	11/17/21	
6	Mechanical module	04/2017	20	
8	Old grease drawer	11/2017	3	10
10	New grease drawer	01/2018	2, 3, 5, 7, 15,	added spare
12	Aeration kit		18, 20, 21	parts for USA
14	Terminal	02/2018	10, 11	new drawer
15	Top	05/2018	23	31
16	Oven	08/2018	7	1
18	Warming cabinet	11/2018	7	3
20	Control panel oven	12/2018	3 / 20 / 21	16 / 9 / 7
21	Control panel warming cabinet	05/2019	3 / 19 / 20 / 21	15, 16 / 12, 13 / 7, 8 / 5, 6
22	Base			

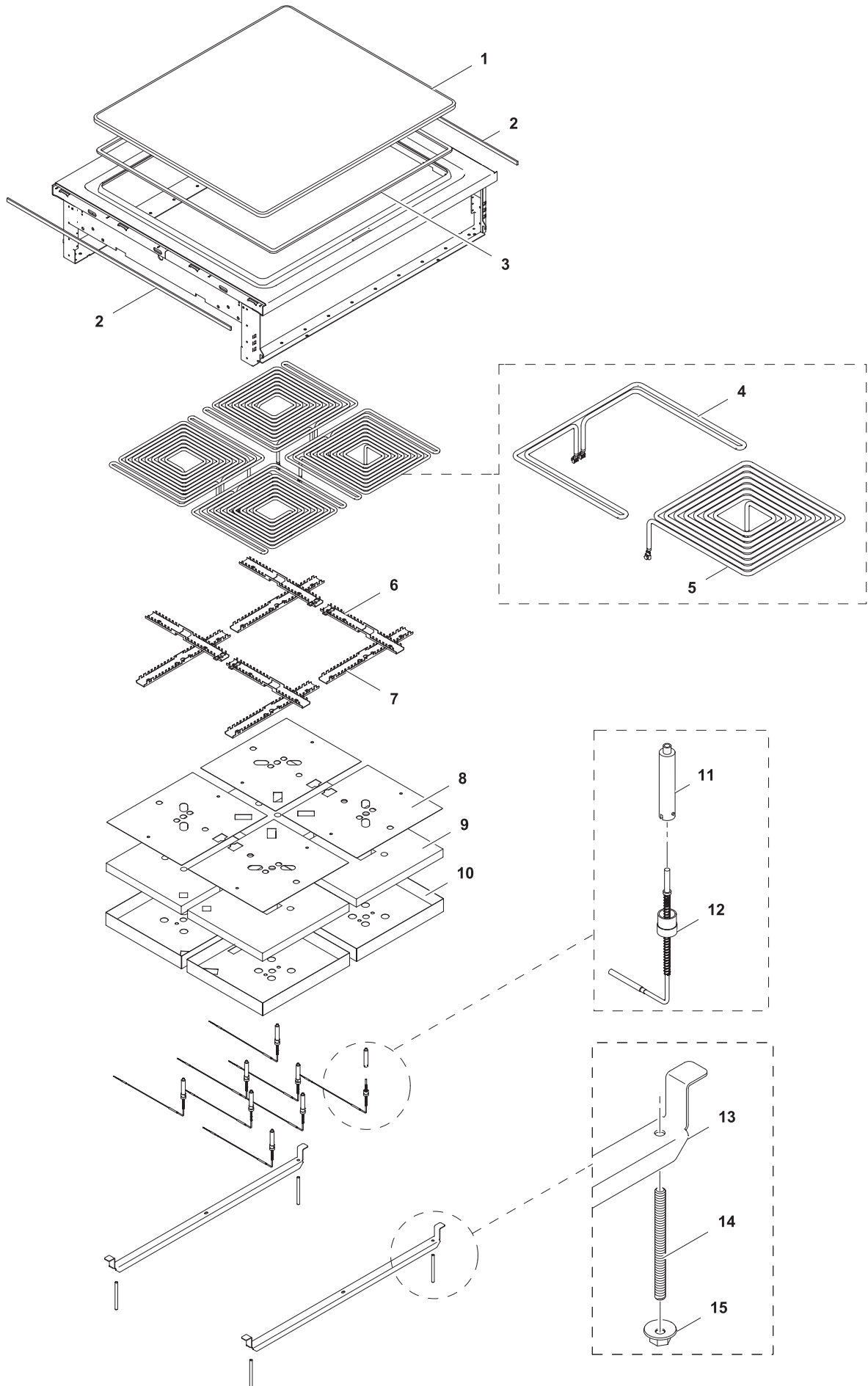
Valid from Ser. № 3101....



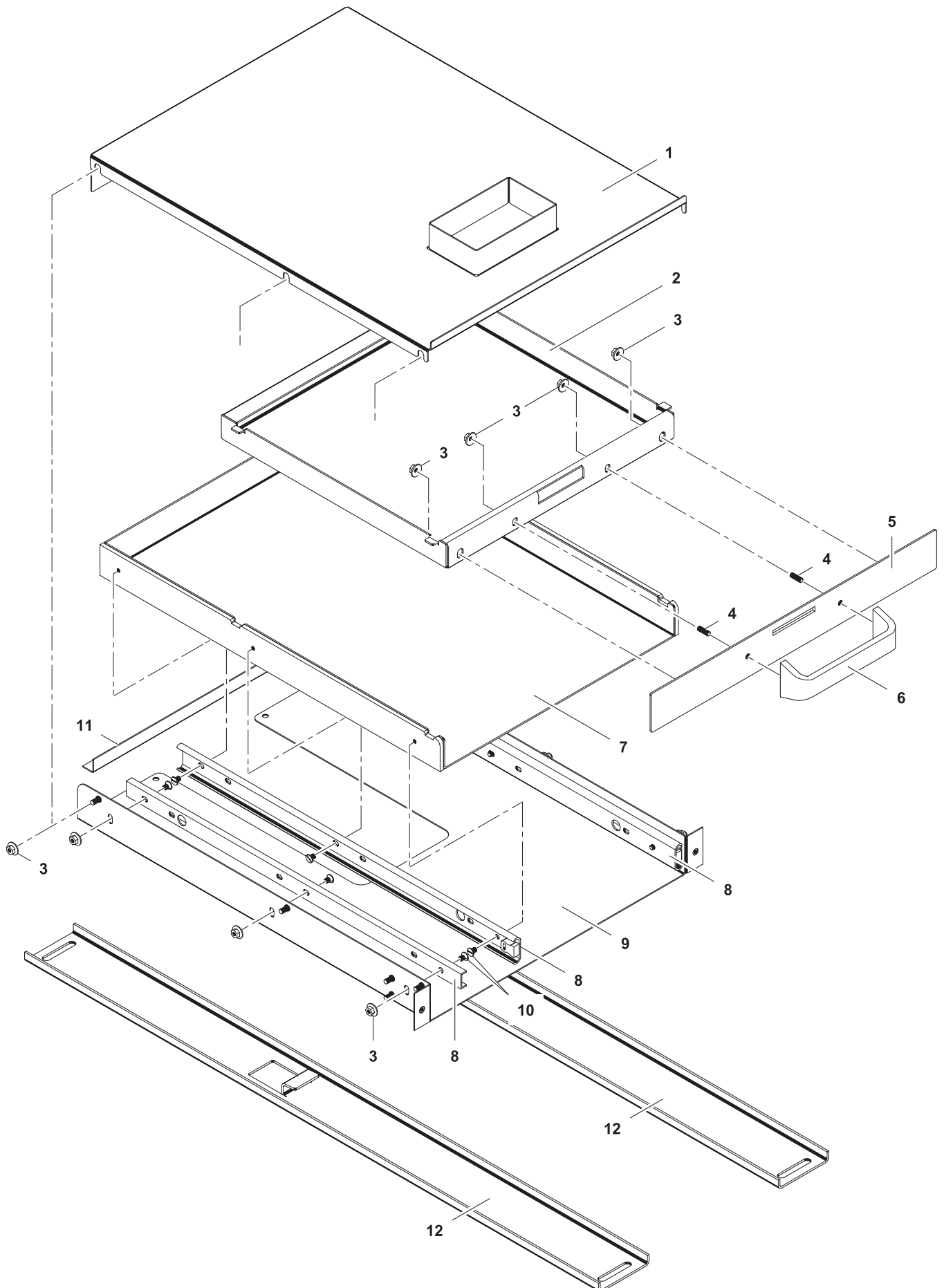
1	Alias	Code	Bezeichnung	Description	Ref.	Valid from Serial N°
1	82.3004.01	OG7448	Halterung Ventilationsbox L=100	Ventilation box support	all types	
2	82.3002	OG7450	Standardventilationsbox rechts	Ventilation box right	all types	
3	82.3034	*	Elektrobox 4 Zonen	Electrical compartment 4 zones	all types	
	83.9208	OG8193	Elektrobox UL	Electrical compartment UL	for USA	
4	1 201 2086	OG4872	Kantenschutz	Edge protection	all types	
5	82.3045	OG7012	Aufsteckblech	Conductor box	all types	
6	82.9228	OC2247	Schütz K2-30A00-40	Conductor K2-30A00-40	all types	
	82.9262	OC5051	Schütz K3-32A00-180 USA	Conductor K3-32A00-180 USA	for USA	
7	1 115 1757	OG4645	Schütz K3-14x027	Conductor K3-14x027	all types	
	82.9262	OC5051	Schütz K3-32A00-180 USA	Conductor K3-32A00-180 USA	for USA	
8	82.3001	*	Standardventilationsbox links	Ventilation box left	all types	
9	82.7550.01	OG7868	Rohrstutzen gerade	Pipe socket straight	all types	
10	87.9204	OCB130	Sicherungshalter Schurter 6.3x32 500V	Fuse holder Schurter 6.3x32 500V	Marine	

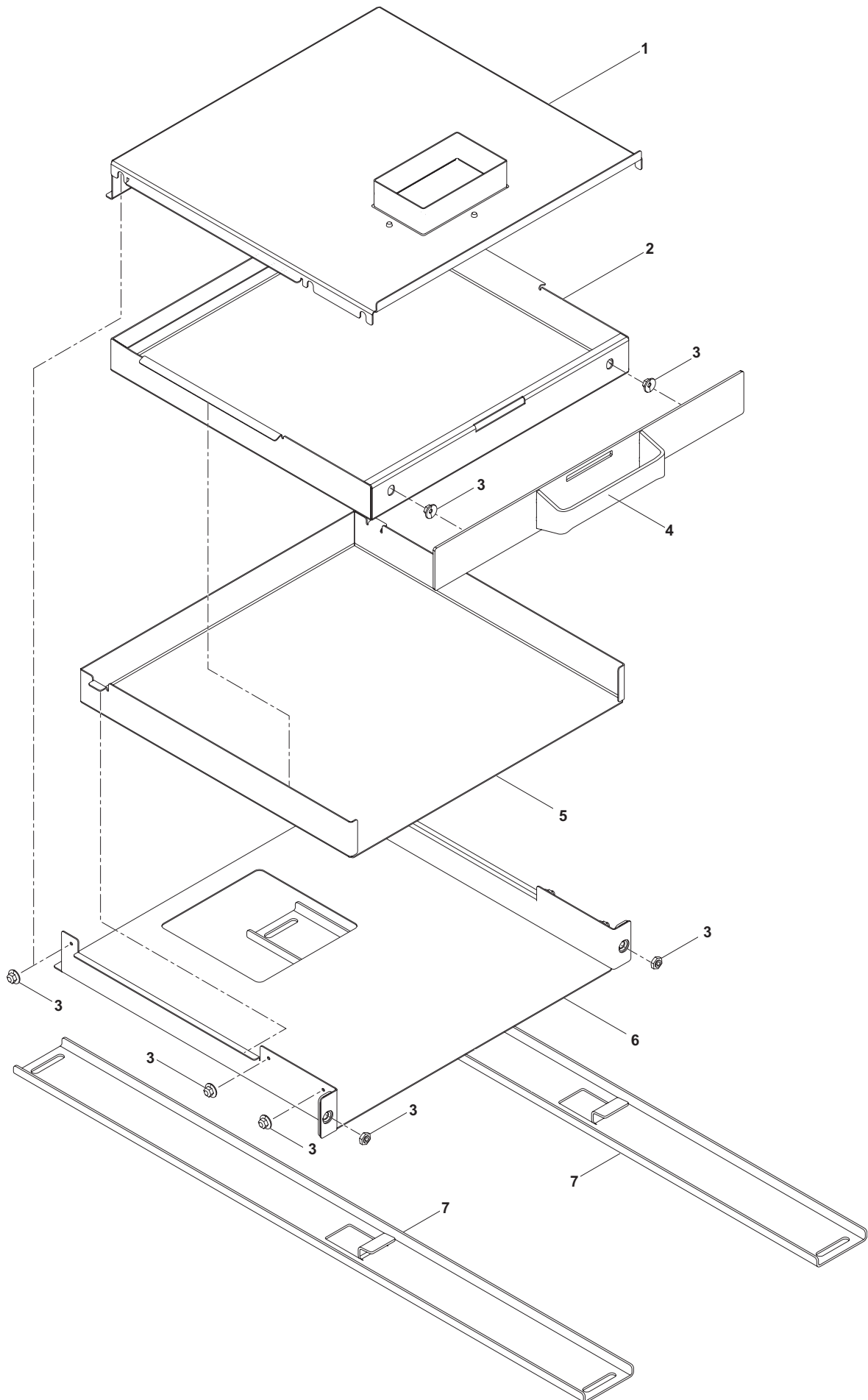
1	Alias	Code	Bezeichnung	Description	Ref.	Valid from Serial N°
11	82.9171	OTTR73	Sicherung 6.3x32 0.63A 500V	Fuse 6.3x32 0.63A 500V	Marine	
12	82.9014	OG6245	Schalter off-Lin-Stby + 10k Poti	Switch off-Lin-Stby + 10k poti	all types	
13	82.7015	OG6246	Eurotas Display	Eurotas Display	D800/900	
	82.7015	OG7091	Eurotas Display	Eurotas Display	D800/D900	6101...
	72.5938.04	OKI362	Anzeigelampe grün	Indicator light, green	D850	
	72.5938.08	OKI364	Einsteckfassung grün/gelb Ø10mm	Lamp holder, green/yellow, Ø10mm	D850	
	72.5938.03	OKI361	Anzeigelampe klar	Indicator light, clear	D850	
	72.5938.07	OKI363	Einsteckfassung klar Ø10mm	Lamp holder, clear, Ø10mm	D850	
	72.5938.10	OG8192	Glimmlampe grün UL	Indicator light green UL	for USA	
	72.5938.11	OG4247	Glimmlampe klar UL	Indicator light clear UL	for USA	
14	82.1027.115	*	Bedienblende 800 1S (Schublade)	Control panel 800 1S (drawer)	a b h k	
	82.1049.53	*	Bedienb. 800 1S INOX (Schublade)	Control panel 800 1S INOX (drawer)	c l m	
	82.1027.53	*	Bedienblende 1000 1S (Schublade)	Control panel 1000 1S (drawer)	d e f n o	
	83.2767.01	OG8194	Bedienblende 1000 1S INOX (Schublade)	Control panel 1000 1S INOX (drawer)	for USA	
15	82.7009	OG6247	Dichtung Drehgriff	Sealing for handle	all types	
	82.7628	OG8603	Dichtung Drehgriff	Sealing for handle	colored M2M	
16	82.6637.01	OG7693	Drehgriff Kpl.	Handle complete kit	all types	
	82.6638.01	OG8620	Drehgriff Kpl.	Handle complete kit	colored M2M	
17	76.3011.01	OG3093	Distanzhalter 8mm	Spacer 8mm	D800/900	
18	712 044120.04	OG4918	Keps-Mutter M4	Keps nut M4	all types	
	82.9001	OG6461	Kabel: Sparta - Display L2200	Cable: Sparta - Display L2200	D800/D900 Standard	
	82.9002	OG6897	Kabel: Display - Display L290	Cable: Display - Display L290	D800/D900 Standard	
	82.9003	OG6899	Kabel: Potentiometer - Display L200	Cable: Potentiometer - Display L200	D800/D900 Standard	
	82.9009	OG6906	Kabel: Sparta - Ventilator L2000	Cable: Sparta - Ventilator L2000	all Standard	
	82.9107	OG7184	Kabel: Sparta - Sparta Kommunikation	Cable: Sparta - Sparta communication	all Standard	
	82.9077	OG7185	Kabel: X0 - RL - Heizungen 12 /3kW	Cable: X0 - RL - heating el. 12 /3kW	D800/850	
	82.9078	OG7186	Kabel: X0 - RL - Heizungen 34 /3kW	Cable: X0 - RL - heating el. 34 /3kW	D800/850	
	82.9079	OG7187	Kabel: X0 - RL - Heizungen 12 /4kW	Cable: X0 - RL - heating el. 12 /4kW	D900	
	28.9080	OG7188	Kabel: X0 - RL - Heizungen 34 /4kW	Cable: X0 - RL - heating el. 34 /4kW	D900	
	82.9125	OG7189	Kabel: Sparta - N - Schalter - P 12	Cable: Sparta - N - switch - P 12	D900	
	82.9126	OG7190	Kabel: Sparta - N - Schalter - P 34	Cable: Sparta - N - switch - P 34	D900	
	82.9081	OG7191	Kabel: Sparta - N - Schalter - P 12 XD	Cable: Sparta - N - switch - P 12 XD	D850	
	82.9082	OG7192	Kabel: Sparta - N - Schalter - P 34 XD	Cable: Sparta - N - switch - P 34 XD	D850	
	82.9083	OG7193	Kabel: Sparta - N - Schalter - P 12	Cable: Sparta - N - switch - P 12	D800	
	82.9084	OG7194	Kabel: Sparta - N - Schalter - P 34	Cable: Sparta - N - switch - P 34	D800	
	82.9022.03	OG7195	Kabel: Schalter S2/3 - Schalter S4 kurz	Cable: switch S2/3 - switch S4 short	all Standard	
	82.9224.03	OG7383	Kabel: Schalter - Schütz KS	Cable switch - Sconductor KS	all Standard	
	82.9113.01	OG7355	Kabel: Anzeigelampe - A5 FCT	Cable: Indicator light - A5 FCT	D850	
	82.9113.02	OG7356	Kabel: Anzeigelampe - A6 FCT	Cable: Indicator light - A6 FCT	D850	
	82.9044.02	OG6181	Kabel: Sparta - Potentiometer L200	Cable: Sparta - potentiometer L200	D850	
	82.9198	OG6946	Kabelbaum 4Z Marine	Wiring harness 4Z Marine	4Zones Marine	
	82.9253	OG8183	Kabel: UL X0 - RL - Heizung 4kW	Cable: UL X0 - RL - heating el. 4kW	D900 for USA	
	82.9254	OG8184	Kabel: UL Sparta -L- Schalter - PI2	Cable: UL Sparta -L- switch - PI2	D900 for USA	
	82.9255	OG8185	Kabel: UL Sparta -L- Schalter - P34	Cable: UL Sparta -L- switch - P34	D900 for USA	
	82.9548	OG8186	Kabel: UL Sparta -L- Schalter - PI2 XD	Cable: UL Sparta -L- switch - PI2 XD	D850 for USA	
	82.9549	OG8187	Kabel: UL Sparta -L- Schalter - P34 XD	Cable: UL Sparta -L- switch - P34 XD	D850 for USA	
	82.9530	OG8188	Kabel: UL Display - Display L290	Cable: UL Display - Display L290	D800/D900 for USA	
	82.9531	OG8189	Kabel: UL Potentiometer - Display L200	Cable: UL Potentiometer - Display L200	D800/D900 for USA	
	82.9528	OG8135	Kabel: UL Sparta - Ventilator L2000	Cable: UL Sparta - Ventilator L2000	for all types USA	
	82.9546.02	OG8258	Kabel: UL Sparta - Potentiometer L2000	Cable: UL Sparta - potentiometer L2000	D850 for USA	
	82.9533	OG8190	Kabel: UL Ventilator - Ventilator	Cable: UL Ventilator - Ventilator	for all types USA	
	82.9559	OG8191	Kabel: UL Trafo Ventilator	Cable: UL Trafo Ventilator	for all types USA	

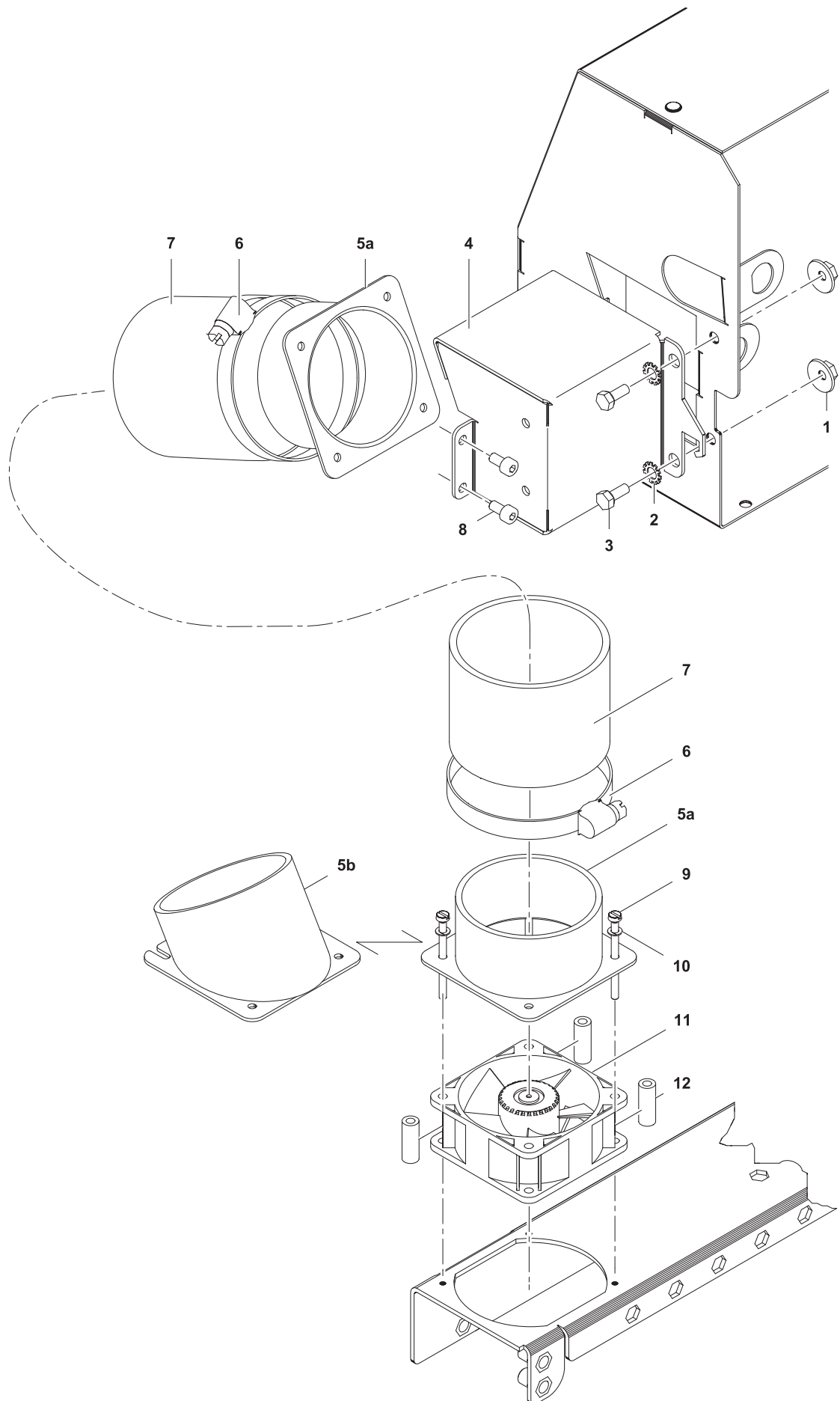


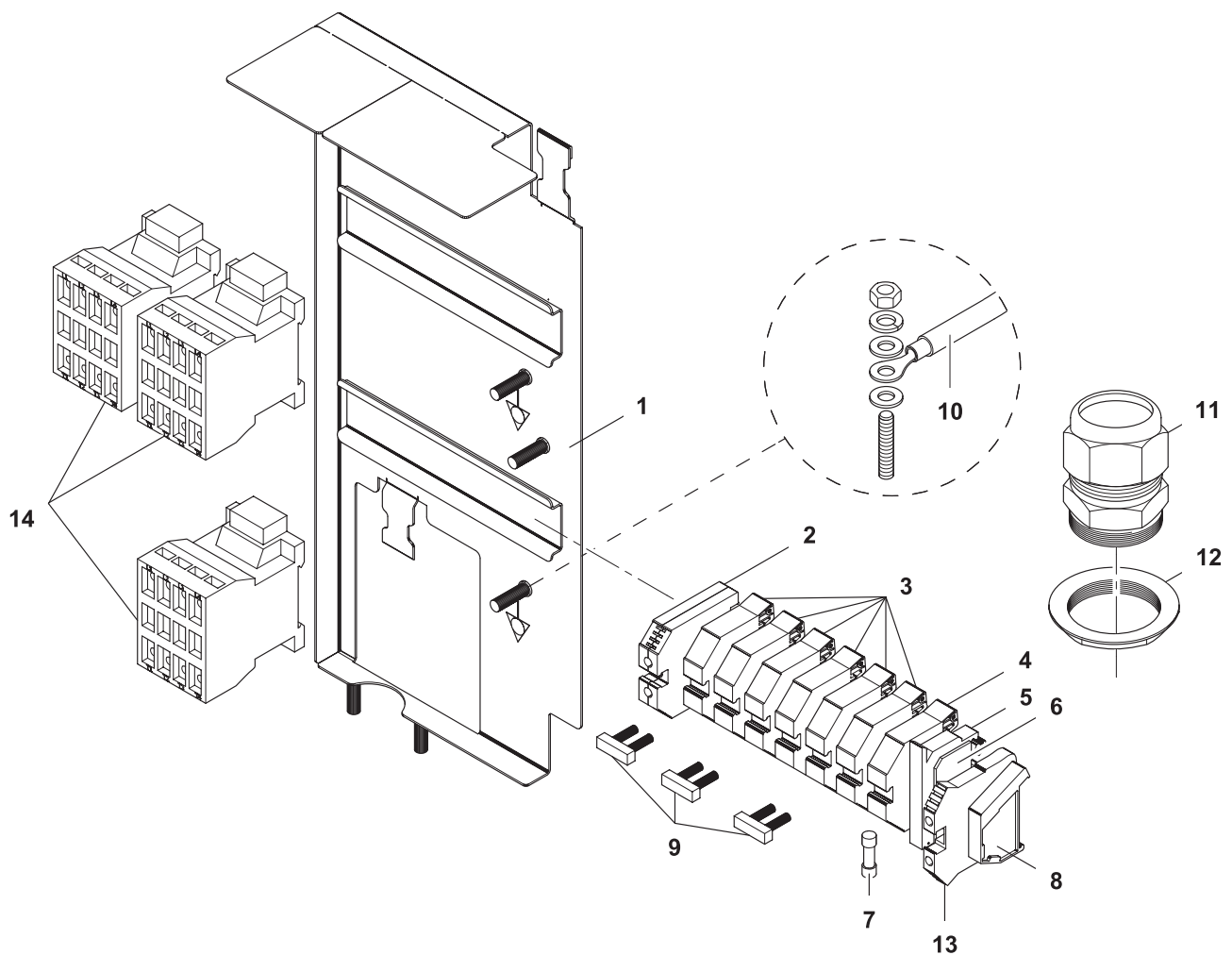


3	Alias	Code	Bezeichnung	Description	Ref.	Valid from Serial N°
1	82.7324.01	OG6697	Platte Free cooking Top 1000x900 14mm	Plate Free cooking Top 1000x900 14mm	W1000/D900	until 8341...
	82.7322.01	OG7828	Platte Free cooking Top 800x800/850 14mm	Plate Free cooking Top 800x800/850 14mm	W800/D800/850	until 8341...
	82.3123.01	OG8160	Platte Free cooking Top 800x800/850 20mm	Plate Free cooking Top 800x800/850 20mm	W800/D800/850	8351...
	82.3123.04	OG8163	Platte Free cooking Top 800x800/850 20mm UL	Plate Free cooking Top 800x800/850 20mm UL	W800/D800/850 for USA	8351...
	82.3124.01	OG8165	Platte Free cooking Top 1000x900 20mm	Plate Free cooking Top 1000x900 20mm	W1000/D900	8351...
	82.3124.04	OG8168	Platte Free cooking Top 1000x900 20mm UL	Plate Free cooking Top 1000x900 20mm UL	W1000/D900 for USA	8351...
	82.7589.01	OG8177	Platte KPL Free cooking Top 800x800/850 20mm	Plate CPL Free cooking Top 800x800/850 20mm	W800/D800/850	8351...
	82.7584.01	OG7968	Platte KPL. Free cooking Top 1000x900 20mm	Plate CPL. Free cooking Top 1000x900 20mm	W1000/D900	8351...
2	82.7464	OC2496	Dichtband (klebend)	Sealing strip	all 4 Zone	
3	82.7551	OG7755	Dichtband Platte	Sealing strip plate	all 4 Zone	until 8381...
	82.7611	OG8506	Dichtband Platte	Sealing strip plate	all 4 Zone	8391...
4	82.7166.02	OG6252	Heizelement 1kW 230V	Heating element 1kW 230V	Standard 4Z/D900	
	82.7166.07	OG6951	Heizelement 1kW 440V (Marine)	Heating element 1kW 440V (marine)	Marine 4Z/D900	
	82.7166.03	OG8263	Heizelement 1000x900 208V USA	Heating element 1000x900 208V USA	for USA	
5	82.7257.02	OG6251	Heizelement 3kW 230V	Heating element 3kW 230V	Standard 4Z/D900	
	82.7257.07	OG6952	Heizelement 3kW 440V (Marine)	Heating element 3kW 440V (marine)	Marine 4Z/D900	
	82.7257.03	OG8133	Heizelement 3kW 208V USA	Heating element 3kW 208V USA	for USA	
6	82.2232	OG7203	Heizungshalter längs 800	Heating element support lengthwise	4Zone, D800/850	
	82.2188	OG7204	Heizungshalter längs 1000	Heating element support lengthwise	4Zone, D900	
7	82.2231	OG7205	Heizungshalter quer 800	Heating element support crosswise	4Zone, D800/850	
	82.2187	OG7206	Heizungshalter quer 1000	Heating element support crosswise	4Zone, D900	
8	82.2233	OG7207	Strahlungsblech 800	Radiation sheet 800	4Zone, D800/850	
	82.2189	OG7208	Strahlungsblech 1000	Radiation sheet 1000	4Zone, D900	
9	82.7307.01	OG7209	Isolation Heizelement 3kW	Insulation heating element 3kW	4Zone, D800/850	
	82.7307.02	OG7210	Isolation Heizelement 4kW	Insulation heating element 4kW	4Zone, D900	
10	82.2234		Verschalung 800	Cover sheet 800	4Zone, D800/850	
	82.2190		Verschalung 1000	Cover sheet 1000	4Zone, D900	
11	75.9013.04	OKE127	Fühlerschutz	Sensor protection	all 4 Zone	
12	87.9045	OG5935	TC Bodenfühler rechts (blau)	TC bottom sensor right (blue)	all 4 Zone	
13	82.1127.01	OG7213	Befestigungsbügel 800	Support	4Zone, D800/850	
	82.1127.02	OG7214	Befestigungsbügel 1000	Support	4Zone, D900	
14	72.0343.01	OKD994	Gewindestift M8x100	Set screw M8X100	all 4 Zone	
15	712 044120.08	OG7215	Keps Mutter M8	Keps nut M8	all 4 Zone	

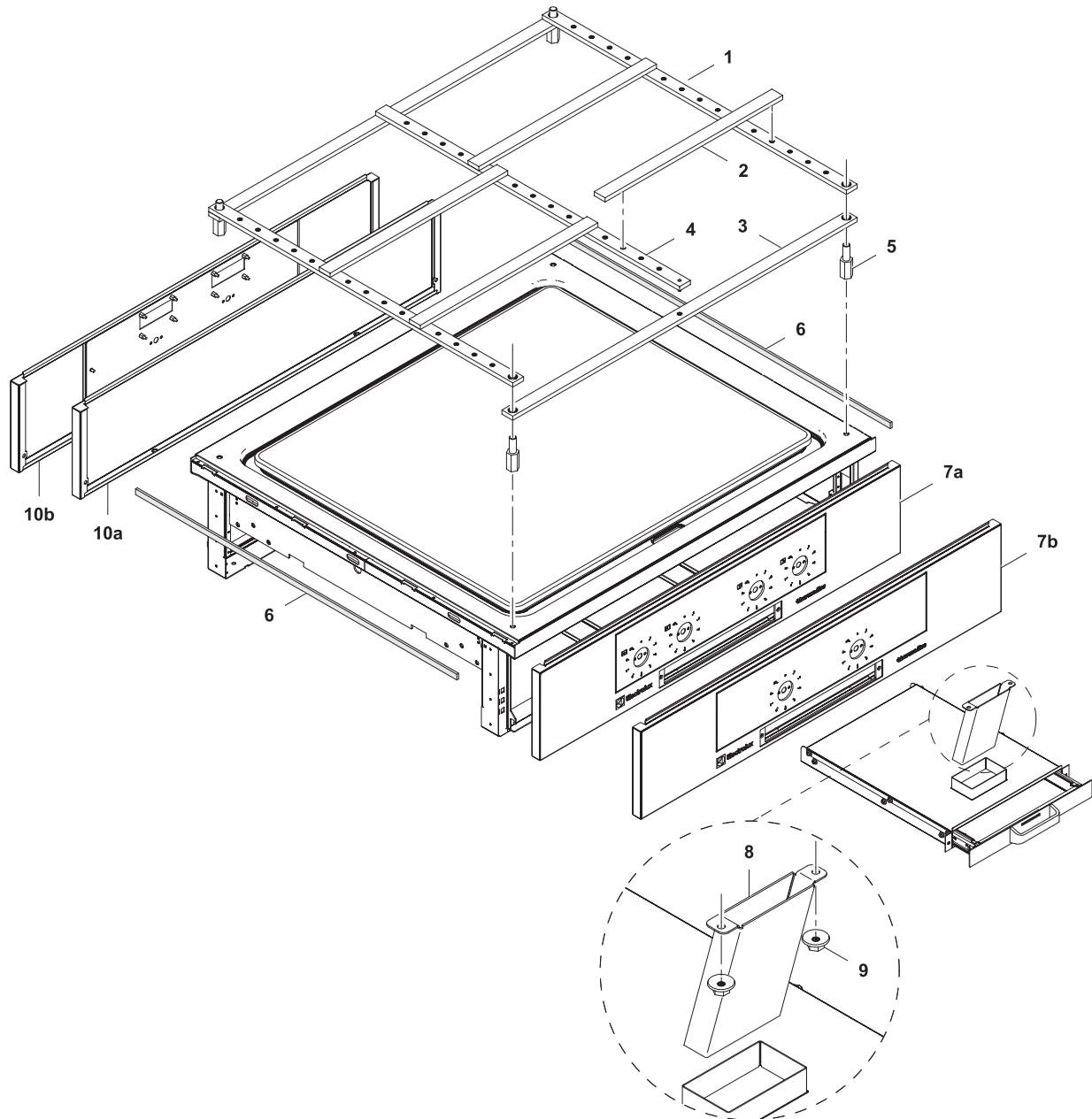






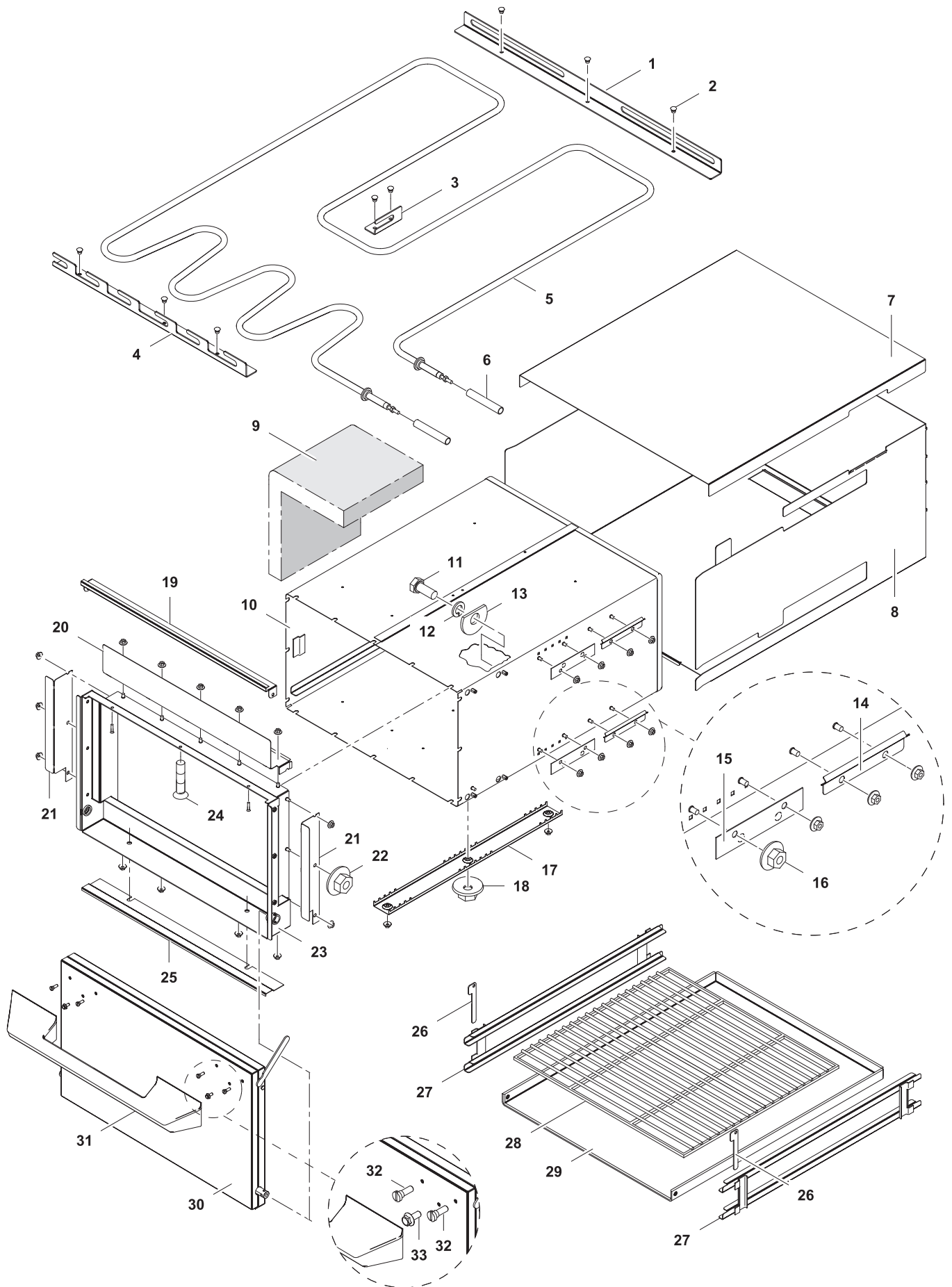


6	Alias	Code	Bezeichnung	Description	Ref.	Valid from Serial N°
1	82.3030.02	OG6423	Klemmenträger	Terminal support	all types	
	82.3051	OG7430	Klemmenträger	Terminal support	all types	5431...
2	75.2011.03	OKX291	Schutzerleiterklemme 16mm ²	Ground conductor terminal 16mm ²	all types	
3	75.2010.40	OKI280	Reihenklemme 16mm ² grau	Terminal block 16mm ² grey	all types	
4	75.2010.41	OG3488	Nullleiterklemme 16mm ² blau	Neutral wire terminal 16mm ² blue	all types/not in Marine	
5	75.2012.01	OK5155	Sicherungsklemme	Fuse holder terminal	all types	
6	75.2012.02	OT2599	Abschlusswand	Cover for fuse holder terminal	all types	
7	712 344362.01	OG5814	Sicherung 5x20 1 00A	Fuse 5x20 1 00AF	all types	
8	75.2013	OKX290	Arretierstück	Fixation	all types	
9	75.2010.44	OKT731	Querverbinder	Cross connection	all types	
10	82.9103	OG6424	Kabel Haupterd draht L400 6mm ²	Main earthing cable L400 6mm ²	all types	
	62.1504.03	OG5977	Verdrahtung 2.5mmx800	Wiring 2.5mmx800	all types	
11	82.2809	OC0068	PG21 Kabelverschraubung	Cable gland PG21	all types	
12	82.9226	OG7024	PG21 Sicherungsmutter	Lock nut PG21	all types	
13	75.2010.20	OG7080	Reihenklemme 4mm ² grau	Terminal block 4mm ² grey	Marine	
14	1 115 1757	OG4645	Schütz K3-14x027 + K2-E230	Conductor K3-24x027 + K2-E230	Marine	

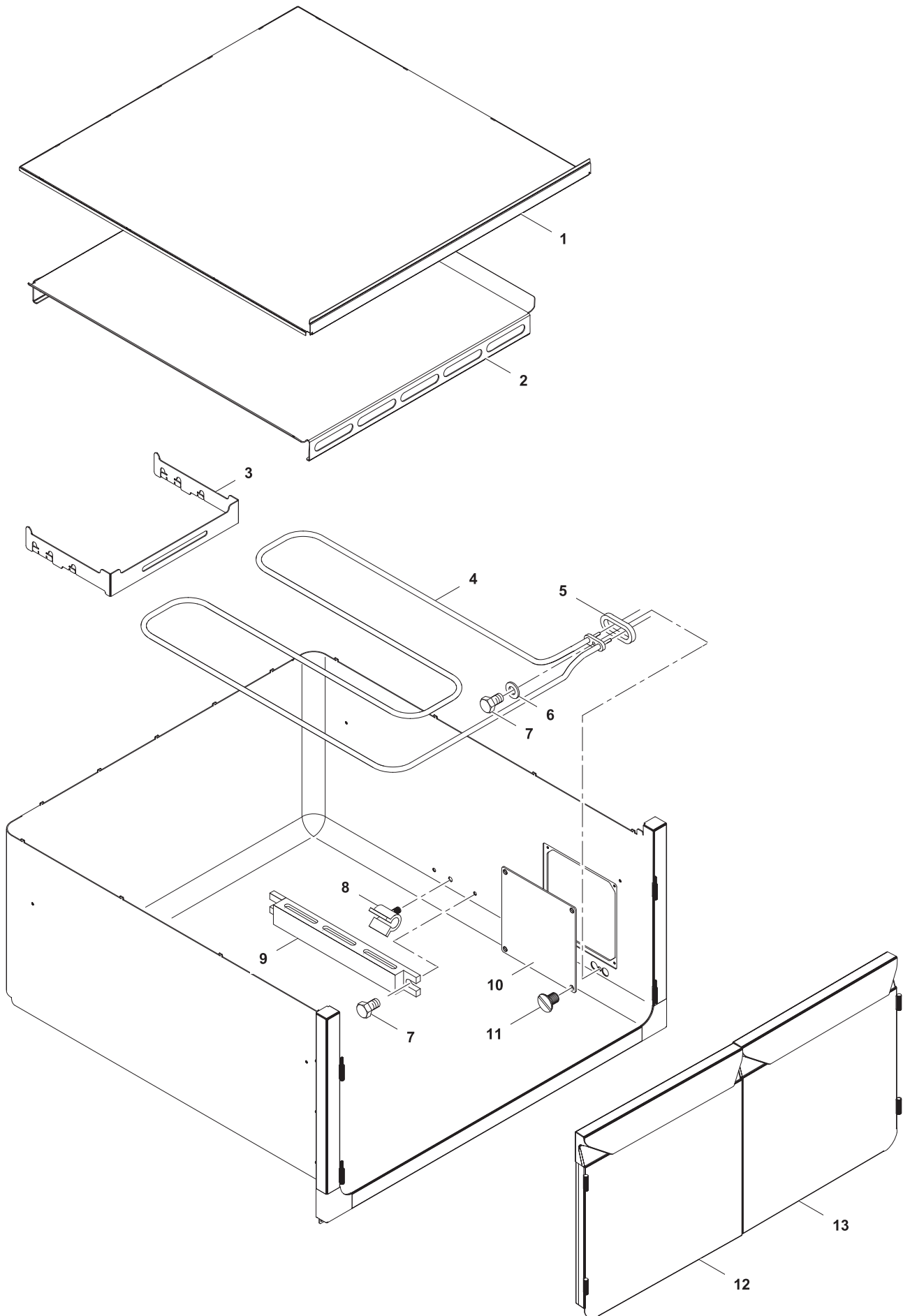


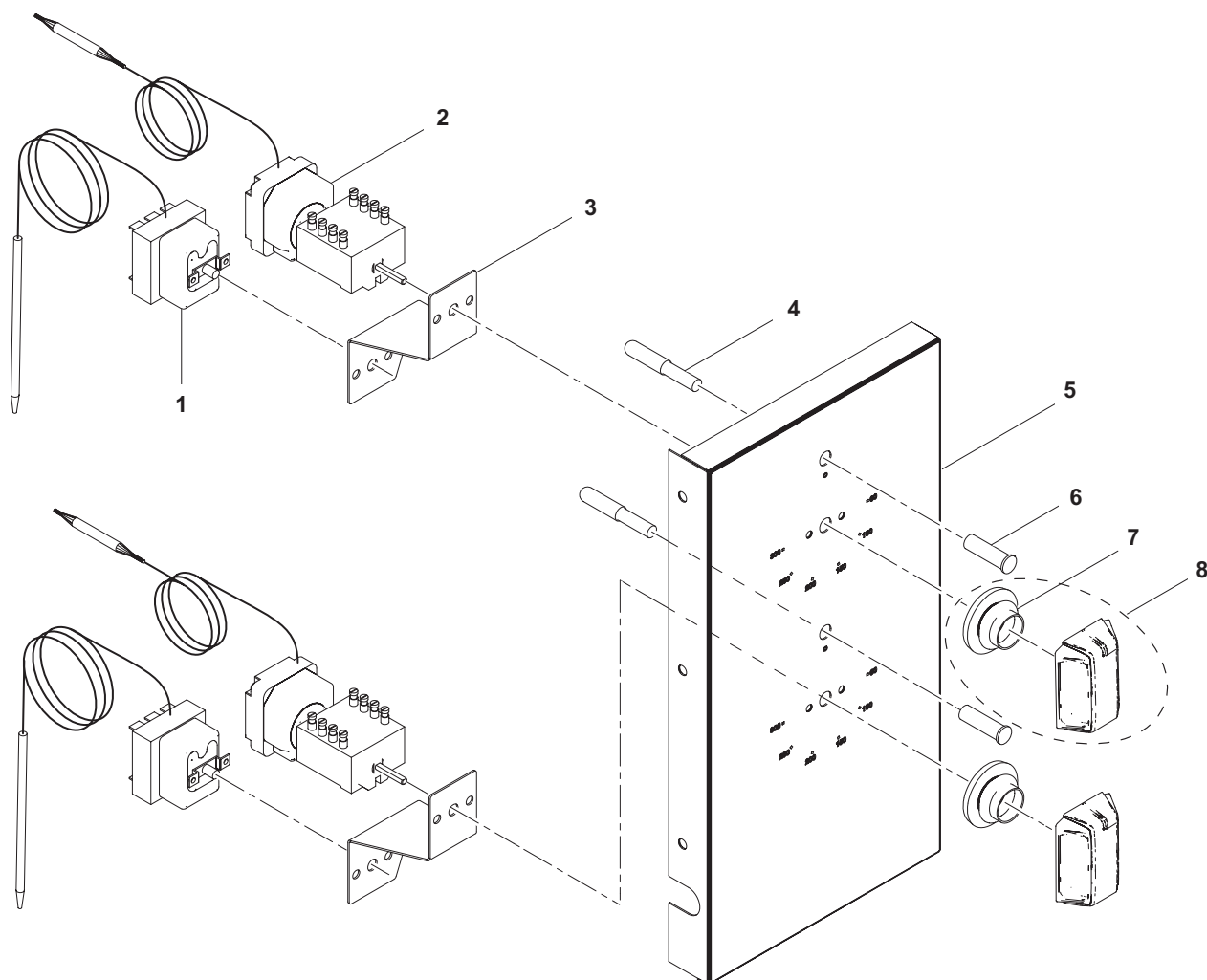
7	Alias	Code	Bezeichnung	Description	Ref.	Valid from Serial N°
	83.3745	OG7017	Schlingerstange komplett 1000	Set roling racks 1000	4Zones Marine	
1	83.3741	OG7218	Schiene-1000 15xØ8	Rolling rack-1000 15xØ8	4Zones Marine	
2	83.3744	OG7219	Schiene-1000 2xØ6	Rolling rack-1000 2xØ6	4Zones Marine	
3	83.3743	OG7220	Schiene-1000 2xØ17	Rolling rack-1000 2xØ17	4Zones Marine	
4	83.3742	OG7221	Schiene-1000 15xØ8 mittig	Rolling rack-1000 15xØ8 mittig	4Zones Marine	
5	705 040432	OG5862	Abstandsbolzen 22x80/M8	Spacer bolt 22x80/M8	all Marine	
6	82.7464	OC2496	Dichtband (klebend)	Sealing strip	all types	
7	82.1027.115	*	Bedienblende 800 1S (Schublade)	Control panel 800 1S (drawer)	a b h k	
	82.1049.53	*	Bedienb. 800 1S INOX (Schublade)	Control panel 800 1S INOX (drawer)	c l m	
	82.1027.53	*	Bedienblende 1000 1S (Schublade)	Control panel 1000 1S (drawer)	d e f n o	
8	82.2684	OG7222	Ablauf	Drain	all types	
9	712 044120.04	OG4918	Keps-Mutter M4	Keps nut M4	all types	
10	82.1000.05	*	Blende 800	Panel 800	a b h k	
	82.1000.07	OG7445	Blende 1000	Panel 1000	d e f n o	

* Components on demand
* Teile auf Anfrage

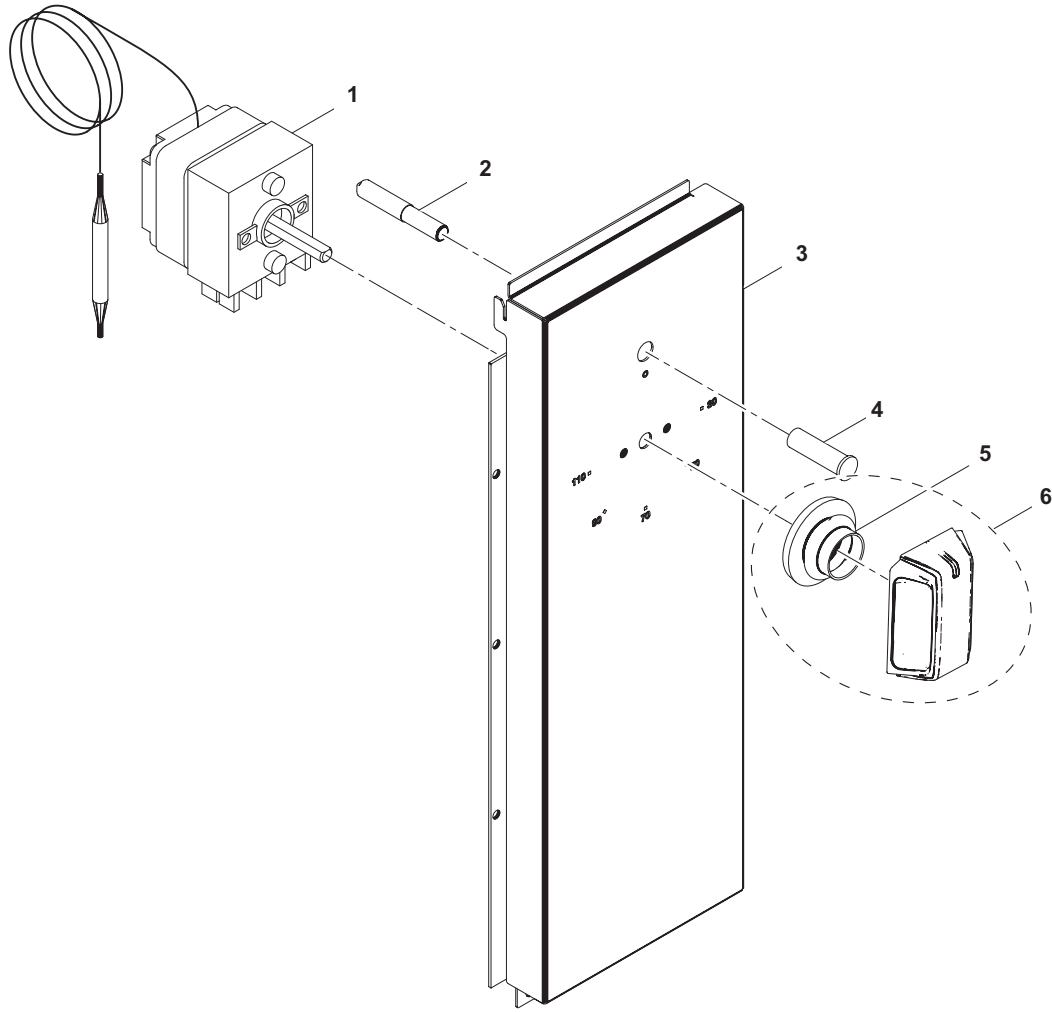


8	Alias	Code	Bezeichnung	Description	Ref.	Valid from Serial N°
1	72.6609	OT2542	Halter Heizung hinten	Heating element support backside	all types	
2	1 701 1102	OG6411	Niete 4x7,3	Rivet 4x7,3	all types	
3	72.6610	OT2543	Halter Heizung mittig	Heating element support middle	all types	
4	72.6613	OT2544	Halter heizung vorn	Heating element support frontside	all types	
5	72.5054.03	OK1360	Heizung 2.5kW 400V	Heating element 2.5kW 400V	all Standard	
	72.5054.05	OG2987	Heizung 2.5kW 440V	Heating element 2.5kW 440V	all Marine	
	72.5054.07	OG4076	Heizung 2.5KW 208V	Heating element 2.5kW 208V	for USA	
6	1 115 1281	OK4567	Isolierschlauch Ø14	Insulation tube Ø14	all types	
7	82.1157.03	*	Deckel Ofenverkleidung D800	Lid oven cover D800	D800	
	82.1157.01	*	Deckel Ofenverkleidung D850	Lid oven cover D850	D850	
	82.1157.02	*	Deckel Ofenverkleidung D900	Lid oven cover D900	D900	
8	82.1156.03	*	Unterteil Ofenverkleidung 1S/D800	Bottom oven cover 1S/D800	1-side/D800	
	82.1156.01	*	Unterteil Ofenverkleidung 1S/D850	Bottom oven cover 1S/D850	1-side/D850	
	82.1156.02	*	Unterteil Ofenverkleidung 1S/D900	Bottom oven cover 1S/D900	1-side/D900	
9	72.0807	OK4265	Isolation	Insulation	all types	
10	72.9794	*	Mantel Elektrobackofen	Mantle electric oven	all types	
11	1 701 2509	OK4598	Sechskantschraube M5x12	Hex bolt M5x12	all types	
12	1 701 5048	OH9734	Federring M5	Spring washer M5	all types	
13	719 040166	OG3052	Heizkörperscheibe	Disc	all types	
14	82.2520	OG7223	STB Halter	Safety thermostat support	all types	
	83.9545	OG8215	STB Halter UL	Safety thermostat support UL	for USA	
15	719 040247	OK8882	Fühlerhalter	Sensor support	all types	
16	712 044120.06	OG3997	Keps-Mutter M6	Keps nut M6	all types	
17	72.0744	OK4263	Isolationsbefestigung	Insulation fixation	all types	
18	712 044120.06	OG3997	Keps-Mutter M6	Keps nut M6	all types	
19	83.3048	*	Abdeckprofil oben	Cover profile	all types	
20	82.2309	*	Klemmblech oben	Clamp sheet top	all types	
21	72.9822.02	*	Klemmblech links/rechts	Clamp sheet left/right	all types	
22	712 044120.06	OG3997	Keps-Mutter M6	Keps nut M6	all types	
23	83.3044	*	Frontrahmen Backofen	Frontal frame oven	all types	
24	GR40 186.1	OG3575	Flachkopfschraube M6x15	Flat head screw M6x15	all types	
25	83.3047	*	Abdeckprofil unten	Cover profile bottom	all types	
26	719 040244	OK5604	Arretierung Rostführung	Locking for grill rail	all types	
27	62.6197	OG6435	Rostführung Backofen 2/IGN	Grill rail 2/IGN	all types	
28	1 110 1300	OK6412	Grillrost 2/IGN	Grill 2/IGN	all types	
29	719 830045	OK8889	Einlegeplatte	Bottom plate	all types	
	83.2367	OG8213	Einlegeplatte 1-S UL	Bottom plate 1-S UL	for USA	
	83.9292	OG8214	Einlegeplatte 2-S 900 UL	Bottom plate 2-S 900 UL	for USA	
30	83.3450	OG6666	Backofentür komplett	Oven door complete	all types	
31	82.6500	OG7224	Handgriff Backofen	oven handle	all types	
32	82.7352	093923	Schraube M5x12	Screw M5x12	all types	
33	82.7567		Sicherungsschraube M5x16	Locking screw M5x16	all types	



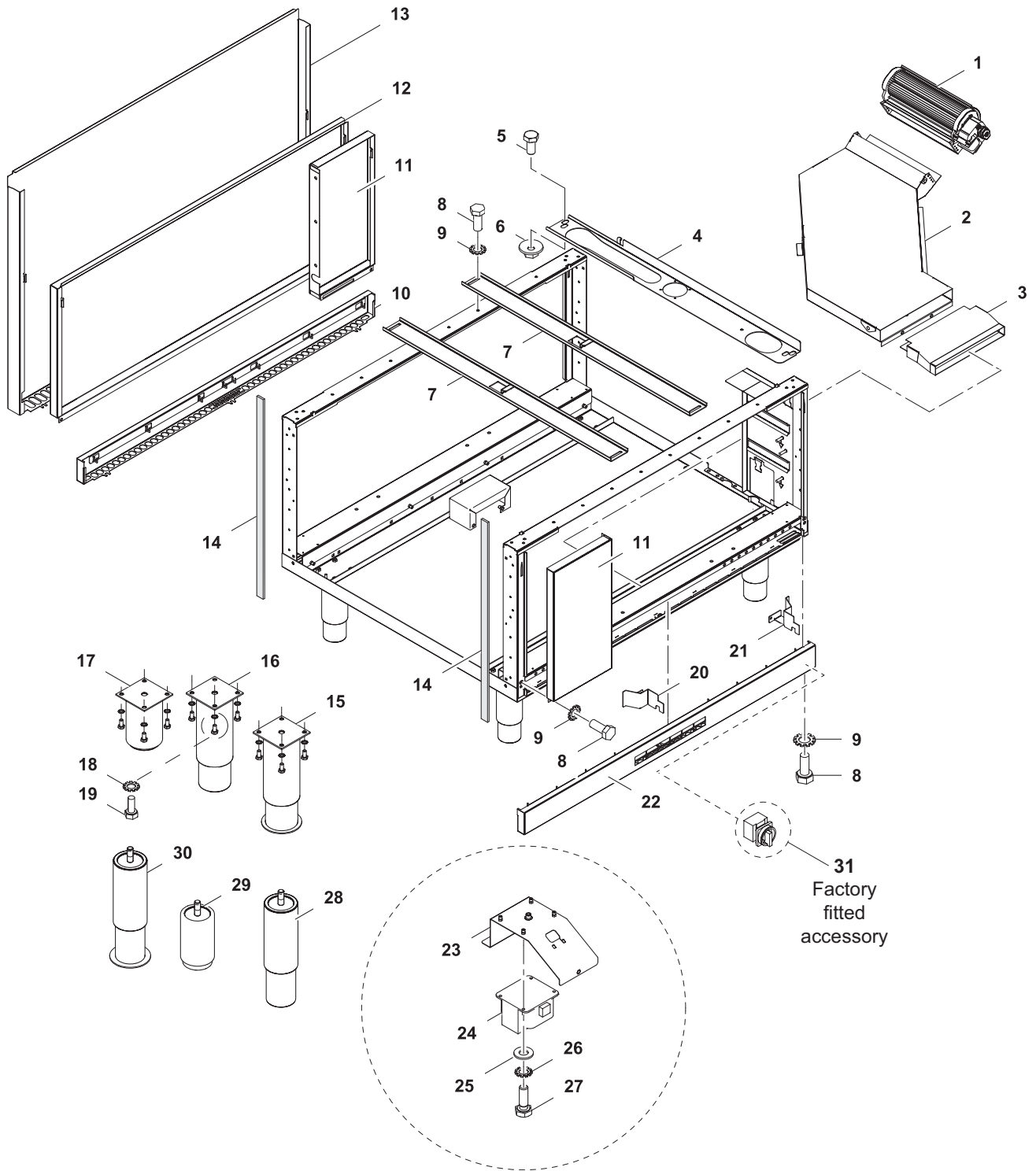


10	Alias	Code	Bezeichnung	Description	Ref.	Valid from Serial N°
1	82.9053	004269	Sicherheitsthermostat 360°C-25K	Safety thermostat 360°C-25K	a b c d e f	
	82.9535	0G8207	Sicherheitsthermostat 365°C UL	Safety thermostat 365°C UL	for USA	
2	82.9120	0G6318	Schalter off - lin 3/4 + Regler 280°C	Switch off - lin 3/4 + control 280°C	a b c d e f /for USA	
3	82.6524	0G7228	Montagewinkel	Mounting angle	a b c d e f	
4	72.5938.03	0K1361	Anzeigelampe klar	Indicator light, clear	a b c d e f	
5	82.1120.04	*	Reglerblende Ofen 126mm (°C)	Control panel oven 126mm (°C)	a b c	
	82.1120.03	*	Reglerblende Ofen 201mm (°C)	Control panel oven 201mm (°C)	d e f	
	82.1120.12	0G8141	Reglerblende Ofen 151mm (°F)	Control panel oven 151mm (°F)	for USA	
	82.1120.13	0G8102	Reglerblende Ofen 201mm (°F)	Control panel oven 201mm (°F)	for USA	
6	72.5938.07	0K1363	Einsteckfassung klar Ø10mm	Lamp holder, clear, Ø10mm	a b c d e f	
7	82.7009	0G6247	Dichtung Drehgriff	Sealing for handle	a b c d e f	
	82.7628	0G8603	Dichtung Drehgriff	Sealing for handle	colored M2M	
8	82.6637.01	0G7693	Drehgriff Kpl.	Handle complete kit	a b c d e f	
	82.6638.01	0G8620	Drehgriff Kpl.	Handle complete kit	colored M2M	
	82.9203		Kabelbaum: Ofen 1-seitig Marine	Wiring harness: oven 1-side Marine	f	
	82.9104	0G7389	Kabel: X0 - Schalter - 5+6 (Ofen)	Cable: X0 - switch - 5+6 (oven)	a b c f e	
	82.9071.01	0G7390	Kabel: Schalter R5-STBI-E5 H5 (Ofen)	Cable: switch R5-STBI-E5 H5 (oven)	a b c f e	
	82.9071.02	0G7391	Kabel: Schalter R6-STB2-E6 H6 (Ofen)	Cable: switch R6-STB2-E6 H6 (oven)	a b c f e	
	82.9132.01	0G7278	Kabel: Ofen - Querstromlüfter groß	Cable: oven - cross flow blower large	a b c f e	
	82.9515	0G8210	Kabel: UL X0 - Schalter - 5+6 (Ofen)	Cable: UL X0 - switch - 5+6 (oven)	for all types USA	
	82.9516.01	0G8211	Kabel: UL Schalter 5-STBI-E5 H5 (Ofen)	Cable: UL switch 5-STBI-E5 H5 (oven)	for all types USA	
	82.9516.02	0G8212	Kabel: UL Schalter 6-STB2-E6 H6 (Ofen)	Cable: UL switch 6-STB2-E6 H6 (oven)	for all types USA	



11	Alias	Code	Bezeichnung	Description	Ref.	Valid from Serial N°
1	712 344039	0K5023	Kapillarrohrregler 30-100	Capillary control 30-100	h k l m n o	
2	72.5938.03	0K1361	Anzeigelampe klar	Indicator light, clear	h k l m n o	
3	82.1043.01	*	Bedienblende warming cabinet, rechts, 130	Control panel warming cabinet, right, 130	h k l m	
	82.1043.04	*	Bedienblende warming cabinet, rechts, 100	Control panel warming cabinet, right, 100	n o	
4	72.5938.07	0K1363	Einsteckfassung klar Ø10mm	Lamp holder, clear, Ø10mm	h k l m n o	
5	82.7009	0G6247	Dichtung Drehgriff	Sealing for handle	h k l m n o	
	82.7628	0G8603	Dichtung Drehgriff	Sealing for handle	colored M2M	
6	82.6637.02	0G7694	Drehgriff Kpl.	Handle complete kit	h k l m n o	
	82.6638.02	0G8621	Drehgriff Kpl.	Handle complete kit	colored M2M	
	62.1544.01	0G7399	Kabelbaum: Wärmeschrank komplett	Wiring harness: warming cabinet	h k l m n o	
	62.1503.02	0G7162	Verdrahtung 2X0.5X 300	Wiring 2x0.5x300	h k l m n o	
	82.9183.01	0G7359	Kabel: WS-Qquerstromlüfter	Cable: Warming cab.-cross flow blower	h k l m n o	

* Components on demand
* Teile auf Anfrage



12	Alias	Code	Bezeichnung	Description	Ref.	Valid from Serial N°
1	1 115 1416	OK5059	Querstromlüfter	Cross flow blower	all types	
	82.7582	OG8208	Querstromlüfter QLN65/2400 115V	Cross flow blower QLN65/2400 115V	for USA	
2	82.5201.008	*	Luftkanal Ofen 800x800	Air channel oven 800x800	D800	
	82.5202.008	*	Luftkanal Ofen 800x850	Air channel oven 800x850	D850	
	82.5203.010	*	Luftkanal Ofen 1000x900	Air channel oven 1000x900	D900	
3	82.1184	*	Kanalverlängerung vorn	Channel extension frontside	all types	
	82.1200.01	*	Kanalverlängerung Oberteil	Channel extension top part	all types	5451...
	82.1201.01	*	Kanalverlängerung Unterteil	Channel extension bottom part	all types	5451...

12	Alias	Code	Bezeichnung	Description	Ref.	Valid from Serial N°
4	82.3040.01	*	Schiene Spatabox D800	Guide track D800	D800	
	82.3040.02	*	Schiene Spatabox D850	Guide track D850	D850	
	82.3040.03	*	Schiene Spatabox D900	Guide track D900	D900	
5	1 701 2503	OG5490	Sechskantschraube M4x8	Hex bolt M4x8	all types	
6	712 044120.04	OG4918	Kep-Mutter M4	Keps nut M4	all types	
7	82.6504.03	*	Aufhängung Schublade D800	Drawer guide D800	all D800	
	82.6504.04	*	Aufhängung Schublade D850	Drawer guide D850	all D850	
	82.6504.05	*	Aufhängung Schublade D900	Drawer guide D900	all D900	
8	1 701 2579	OG4020	Sechskantschraube M5x16	Hex bolt M5x16	all types	
9	1 701 7002	OG2923	Fächerscheibe M5	Fan washer M5	all types	
10	82.1140.08	OG7288	Anschlussdeckel H66/L800	Bottom front panel H66/L800	H700/D800 no C-Board	
	82.1140.28	*	Anschlussdeckel H166/L800	Bottom front panel H166/L800	H800/D800 no C-Board	
	82.1140.10	OG7901	Anschlussdeckel H66/L1000	Bottom front panel H66/L1000	H700/D900 no C-Board	
	82.1140.30	OG7792	Anschlussdeckel H166/L1000	Bottom front panel H166/L1000	H800/D900 no C-Board	
11	82.1046.11	*	Ofenblende 76mm links	Oven panel 76mm links	a b c	
	82.1046.01	*	Ofenblende 201mm links	Oven panel 201mm links	d e f	
	82.1042.01	*	Korpusabdeckung links 130	Cover panel left 130	n o	
	82.1042.05	*	Korpusabdeckung links 60	Cover panel left 60	h k l m	
12	82.1102.07	OG7286	Rückwand 800x700	Back panel 800x700	a h / no C-board	
	82.1102.27	*	Rückwand 800x800	Back panel 800x800	b k / no C-board	
	82.1102.09	*	Rückwand 1000x700	Back panel 1000x700	d f n / no C-board	
	82.1102.29	*	Rückwand 1000x800	Back panel 1000x800	e o / no C-board	
13	82.1007.07	*	Rückwand C-Board 800x700	Back panel C-Board 800x700	a c h l m / C-board	
	82.1007.27	*	Rückwand C-Board 800x800	Back panel C-Board 800x800	b k /C-board	
	82.1007.09	*	Rückwand C-Board 1000x700	Back panel C-Board 1000x700	d n /C-board	
	82.1007.29	*	Rückwand C-Board 1000x800	Back panel C-Board 1000x800	e o /C-board	
14	82.7467	OC7307	Dichtung 5mm	Sealing sides 5mm	H700/800	5101...
15	83.3728	OG6886	Stellfuß 2" Marine 145-252mm	Adjustable feet 2" Marine 145-252mm	H700 Marine	
16	86.0001	OG5391	Stellfuß 2" 145-252mm rund	Adjustable feet 2" 145-252mm, round	H700	
17	86.2385	OG6140	Stellfuß 2" 100mm	Adjustable feet 2" 100mm	H800	
18	1 701 5051	OG6753	Fächerscheibe M6	Fan washer M6	H700/800	
19	1 701 2600	OKT919	Sechskantschraube M6x12	Hex bolt M6x12	H700/800	
20	82.0113.01	OG7386	Leitblech H700 links	Aeration sheet left H700	H700	
	82.0113.11	OG7387	Leitblech H800 links	Aeration sheet left H800	H800	
21	82.0113.02	OG7385	Leitblech H700 rechts	Aeration sheet right H700	H700	
	82.0113.12	OG7388	Leitblech H800 rechts	Aeration sheet right H800	H800	
22	82.1178.08	OG7225	Anschlussdeckel (Lüftung) H66/L800	Bottom front panel (aeration) H66/L800	H700/D800/850	
	82.1178.28	OG7226	Anschlussdeckel (Lüftung) H166/L800	Bottom front panel (aeration) H166/L800	H800/D800	
	82.1178.10	OG6681	Anschlussdeckel (Lüftung) H66/L1000	Bottom front panel (aeration) H66/L1000	H700/D900	
	82.1178.30	OG7227	Anschlussdeckel (Lüftung) H166/L1000	Bottom front panel (aeration) H166/L1000	H800/D900	
23	82.3029	OG7057	Halteblech	Metal support	all Marine	
24	82.9209	006710	Autotransformer 0-240-400-440V-150VA	Autotransformer 0-240-400-440V-150VA	all Marine	
25	1 701 3502	OG3595	Unterlegscheibe M4	Washer M4	all Marine	
26	1 701 7060		Fächerscheibe M4	Fan washer M4	all Marine	
27	1 701 2629	OG5854	Sechskantschraube M4x12	Hex bolt M4x12	all Marine	
28	82.0350.01		Fuss M10 200mm	Foot M10 200mm	H700	7141...
29	82.0350.02		Fuss M10 100mm	Foot M10 100mm	H800	7141...
30	82.0350.03		Fuss M10 200mm Marine	Foot M10 200mm Marine	H700 Marine	7141...
31	76.9164.02	OK4979	Hauptschalter 63A	Main switch 63A	H800	8041...

* Components on demand
* Teile auf Anfrage