

**THERMALINE 80/85/90**

**DE** EL. BRAT- UND KOCHPLATTEN AUF BACKOFEN  
 EL. BRAT- UND KOCHPLATTEN AUF WÄRMESCHRANK  
**EN** EL. FREE COOKING TOPS ON STATIC OVEN  
 EL. FREE COOKING TOPS ON WARMING CABINET

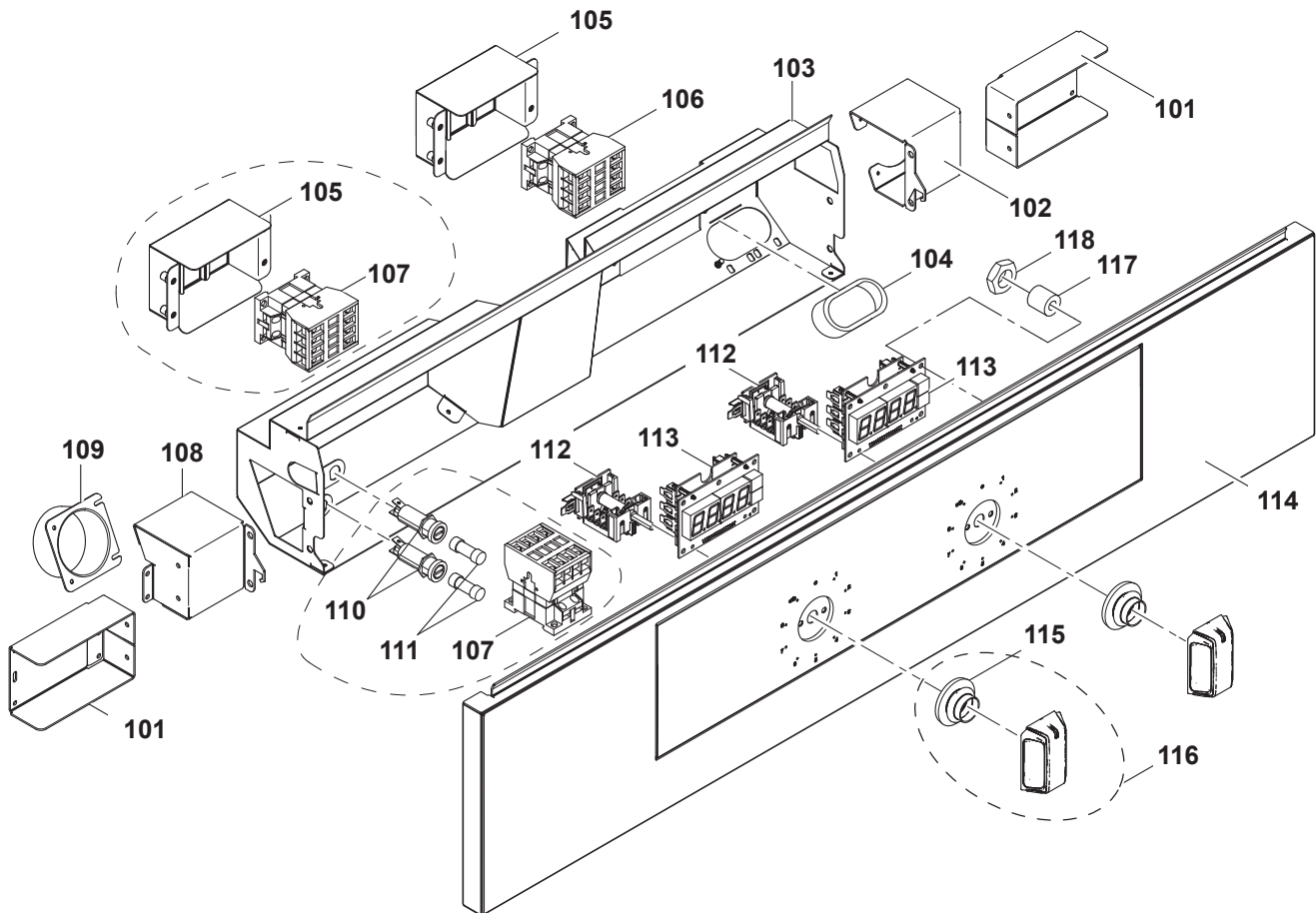
**Units with oven**

PNC	Factory Model	Ref.	Description
588423	MATGEAH8AO	a	FREE COOKING TOP ON OVEN, 800X800X700H
588424	MATGEBH8AO	a	FREE COOKING TOP ON OVEN, C-BOARD, 800X800X700H
588425	MATGFAH8AO	b	FREE COOKING TOP ON OVEN, 800X800X800H
588426	MATGFBH8AO	b	FREE COOKING TOP ON OVEN, C-BOARD, 800X800X800H
588696	MBTGGBH8AO	c	FREE COOKING TOP ON OVEN, C-BOARD, 800X850X700H
589661	MCTGEAJ8AO	d	FREE COOKING TOP ON OVEN, 1000X900X700H
589662	MCTGEBJ8AO	d	FREE COOKING TOP ON OVEN, C-BOARD, 1000X900X700H
589663	MCTGFAJ8AO	e	FREE COOKING TOP ON OVEN, 1000X900X800H
589664	MCTGFBJ8AO	e	FREE COOKING TOP ON OVEN, C-BOARD, 1000X900X800H
589894	MCTGEAJ8DM	f	MARINE* FREE COOKING TOP ON OVEN, 1000X900X700H

**Units with warming cabinet**

PNC	Factory Model	Ref.	Description
588469	MATHEAH4AO	h	FREE COOKING TOP ON WARMING CABINET, 800X800X700H
588470	MATHEBH4AO	h	FREE COOKING TOP ON WARMING CABINET, C-BOARD, 800X800X700H
588471	MATHFAH4AO	k	FREE COOKING TOP ON WARMING CABINET, 800X800X800H
588472	MATHFBH4AO	k	FREE COOKING TOP ON WARMING CABINET, C-BOARD, 800X800X800H
588708	MBTHGBH4AO	l	FREE COOKING TOP ON WARMING CABINET, C-BOARD, 800X850X700H
588709	MBTIGBH4AO	m	FREE COOKING TOP ON WARMING CABINET, C-BOARD, 800X850X700H
589707	MCTHEAJ4AO	n	FREE COOKING TOP ON WARMING CABINET, 1000X900X700H
589708	MCTHEBJ4AO	n	FREE COOKING TOP ON WARMING CABINET, C-BOARD, 1000X900X700H
589709	MCTHFAJ4AO	o	FREE COOKING TOP ON WARMING CABINET, 1000X900X800H
589710	MCTHFBJ4AO	o	FREE COOKING TOP ON WARMING CABINET, C-BOARD, 1000X900X800H

Page	Index	Last Updates	Page	Ref.
2	Electrical compartment	12/2015	all	
4	Sparta box	11/2016	11/17/21	
6	Mechanical module	04/2017	20	
8	Old grease drawer	11/2017	3	110
10	New grease drawer	01/2018	2, 3, 5, 7, 15,	added spare
12	Aeration kit		18, 20, 21	parts for USA
14	Terminal	02/2018	10, 11	new drawer
15	Top	05/2018	23	1231
16	Oven	08/2018	7	301
18	Warming cabinet	11/2018	7	303
20	Control panel oven	12/2018	3 / 20 / 21	116 / 1009 / 1107
21	Control panel warming cabinet	05/2019	3 / 19 / 20 / 21	115, 116 / 912, 913 / 1007,
22	Base			1008 / 1105, 1106
		05/2020	7	308, 309, 310
		05/2024	5 / 12	209 / 505b
		09/2024	2	106



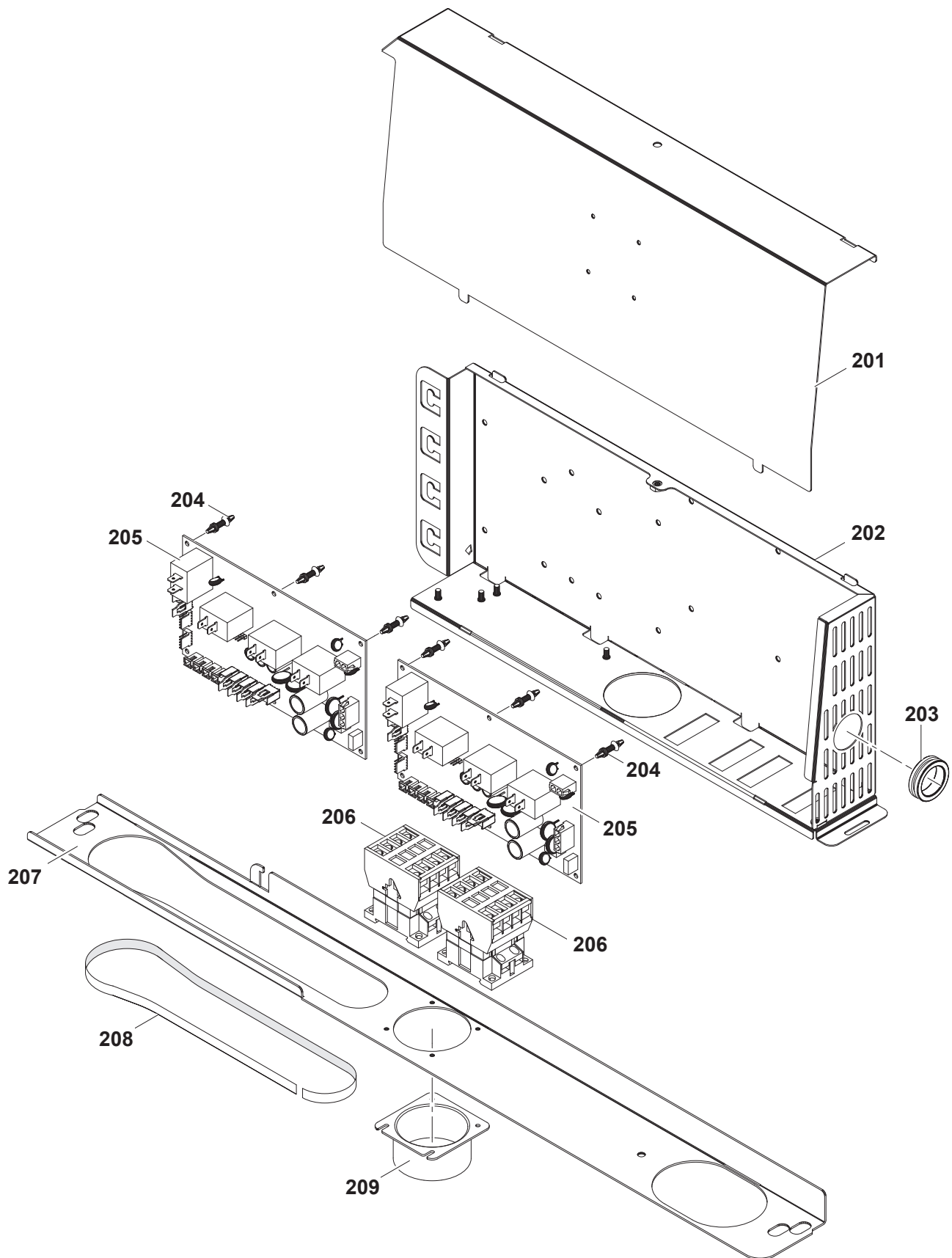
1	Alias	Code	Bezeichnung	Description	Ref.	Valid from Serial N°
101	82.3004.01	OG7448	Halterung Ventilationsbox L=100	Ventilation box support	all types	
102	82.3002	OG7450	Standardventilationsbox rechts	Ventilation box right	all types	
103	82.3034	*	Elektrobox 4 Zonen	Electrical compartment 4 zones	all types	
103	83.9208	OG8193	Elektrobox UL	Electrical compartment UL	for USA	
104	1 201 2086	OG4872	Kantenschutz	Edge protection	all types	
105	82.3045	OG7012	Aufsteckblech	Conductor box	all types	
106	82.9228	OC2247	Schütz K2-30A00-40	Conductor K2-30A00-40	all types	until 4092... ref. to TB CHG2024- 04
106	82.9357	OG9210	Schütz K3-18NBX063 4-POLIG	Conductor K3-18NBX063 4-POLIG	all types	4102...
106	82.9262	OC5051	Schütz K3-32A00-180 USA	Conductor K3-32A00-180 USA	for USA	
107	1 115 1757	OG4645	Schütz K3-14x027	Conductor K3-14x027	all types	
107	82.9262	OC5051	Schütz K3-32A00-180 USA	Conductor K3-32A00-180 USA	for USA	
108	82.3001	*	Standardventilationsbox links	Ventilation box left	all types	

1	Alias	Code	Bezeichnung	Description	Ref.	Valid from Serial N°
109	82.7550.01	0G7868	Rohrstutzen gerade	Pipe socket straight	all types	
110	879204	0CB130	Sicherungshalter Schurter 6.3x32 500V	Fuse holder Schurter 6.3x32 500V	Marine	
111	82.9171	0TTR73	Sicherung 6.3x32 0.63A 500V	Fuse 6.3x32 0.63A 500V	Marine	
112	82.9014	0G6245	Schalter off-Lin-Stby + 10k Poti	Switch off-Lin-Stby + 10k poti	all types	
113	82.7015	0G6246	Eurotas Display	Eurotas Display	D800/900	
113	82.7015	0G7091	Eurotas Display	Eurotas Display	D800/D900	6101...
113	72.5938.04	0KI362	Anzeigelampe grün	Indicator light, green	D850	
113	72.5938.08	0KI364	Einsteckfassung grün/gelb Ø10mm	Lamp holder, green/yellow, Ø10mm	D850	
113	72.5938.03	0KI361	Anzeigelampe klar	Indicator light, clear	D850	
113	72.5938.07	0KI363	Einsteckfassung klar Ø10mm	Lamp holder, clear, Ø10mm	D850	
113	72.5938.10	0G8192	Glimmlampe grün UL	Indicator light green UL	for USA	
113	72.5938.11	0G4247	Glimmlampe klar UL	Indicator light clear UL	for USA	
114	82.1027.115	*	Bedienblende 800 IS (Schublade)	Control panel 800 IS (drawer)	a b h k	
114	82.1049.53	*	Bedienb. 800 IS INOX (Schublade)	Control panel 800 IS INOX (drawer)	c l m	
114	82.1027.53	*	Bedienblende 1000 IS (Schublade)	Control panel 1000 IS (drawer)	d e f n o	
114	83.2767.01	0G8194	Bedienblende 1000 IS INOX (Schublade)	Control panel 1000 IS INOX (drawer)	for USA	
115	82.7009	0G6247	Dichtung Drehgriff	Sealing for handle	all types	
115	82.7628	0G8603	Dichtung Drehgriff	Sealing for handle	colored M2M	
116	82.6637.01	0G7693	Drehgriff Kpl.	Handle complete kit	all types	
116	82.6638.01	0G8620	Drehgriff Kpl.	Handle complete kit	colored M2M	
117	76.3011.01	0G3093	Distanzhalter 8mm	Spacer 8mm	D800/900	
118	712 044120.04	0G4918	Keps-Mutter M4	Keps nut M4	all types	
	82.9001	0G6461	Kabel: Sparta - Display L2200	Cable: Sparta - Display L2200	D800/D900 Standard	
	82.9002	0G6897	Kabel: Display - Display L290	Cable: Display - Display L290	D800/D900 Standard	
	82.9003	0G6899	Kabel: Potentiometer - Display L200	Cable: Potentiometer - Display L200	D800/D900 Standard	
	82.9009	0G6906	Kabel: Sparta - Ventilator L2000	Cable: Sparta - Ventilator L2000	all Standard	
	82.9107	0G7184	Kabel: Sparta - Sparta Kommunikation	Cable: Sparta - Sparta communication	all Standard	
	82.9077	0G7185	Kabel: X0 - RL - Heizungen 12 /3kW	Cable: X0 - RL - heating el. 12 /3kW	D800/850	
	82.9078	0G7186	Kabel: X0 - RL - Heizungen 34 /3kW	Cable: X0 - RL - heating el. 34 /3kW	D800/850	
	82.9079	0G7187	Kabel: X0 - RL - Heizungen 12 /4kW	Cable: X0 - RL - heating el. 12 /4kW	D900	
	28.9080	0G7188	Kabel: X0 - RL - Heizungen 34 /4kW	Cable: X0 - RL - heating el. 34 /4kW	D900	
	82.9125	0G7189	Kabel: Sparta - N - Schalter - P 12	Cable: Sparta - N - switch - P 12	D900	
	82.9126	0G7190	Kabel: Sparta - N - Schalter - P 34	Cable: Sparta - N - switch - P 34	D900	
	82.9081	0G7191	Kabel: Sparta - N - Schalter - P 12 XD	Cable: Sparta - N - switch - P 12 XD	D850	
	82.9082	0G7192	Kabel: Sparta - N - Schalter - P 34 XD	Cable: Sparta - N - switch - P 34 XD	D850	
	82.9083	0G7193	Kabel: Sparta - N - Schalter - P 12	Cable: Sparta - N - switch - P 12	D800	
	82.9084	0G7194	Kabel: Sparta - N - Schalter - P 34	Cable: Sparta - N - switch - P 34	D800	
	82.9022.03	0G7195	Kabel: Schalter S2/3 - Schalter S4 kurz	Cable: switch S2/3 - switch S4 short	all Standard	
	82.9224.03	0G7383	Kabel: Schalter - Schütz KS	Cable switch - Sconductor KS	all Standard	
	82.9113.01	0G7355	Kabel: Anzeigelampe - A5 FCT	Cable: Indicator light - A5 FCT	D850	
	82.9113.02	0G7356	Kabel: Anzeigelampe - A6 FCT	Cable: Indicator light - A6 FCT	D850	
	82.9044.02	0G6181	Kabel: Sparta - Potentiometer L200	Cable: Sparta - potentiometer L200	D850	
	82.9198	0G6946	Kabelbaum 4Z Marine	Wiring harness 4Z Marine	4Zones Marine	
	82.9253	0G8183	Kabel: UL X0 - RL - Heizung 4kW	Cable: UL X0 - RL - heating el. 4kW	D900 for USA	
	82.9254	0G8184	Kabel: UL Sparta -L- Schalter - P12	Cable: UL Sparta -L- switch - P12	D900 for USA	
	82.9255	0G8185	Kabel: UL Sparta -L- Schalter - P34	Cable: UL Sparta -L- switch - P34	D900 for USA	
	82.9548	0G8186	Kabel: UL Sparta -L- Schalter - P12 XD	Cable: UL Sparta -L- switch - P12 XD	D850 for USA	
	82.9549	0G8187	Kabel: UL Sparta -L- Schalter - P34 XD	Cable: UL Sparta -L- switch - P34 XD	D850 for USA	
	82.9530	0G8188	Kabel: UL Display - Display L290	Cable: UL Display - Display L290	D800/D900 for USA	
	82.9531	0G8189	Kabel: UL Potentiometer - Display L200	Cable: UL Potentiometer - Display L200	D800/D900 for USA	
	82.9528	0G8135	Kabel: UL Sparta - Ventilator L2000	Cable: UL Sparta - Ventilator L2000	for all types USA	
	82.9546.02	0G8258	Kabel: UL Sparta - Potentiometer L2000	Cable: UL Sparta - potentiometer L2000	D850 for USA	
	82.9533	0G8190	Kabel: UL Ventilator - Ventilator	Cable: UL Ventilator - Ventilator	for all types USA	
	82.9559	0G8191	Kabel: UL Trafo Ventilator	Cable: UL Trafo Ventilator	for all types USA	

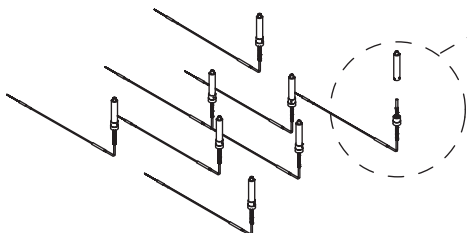
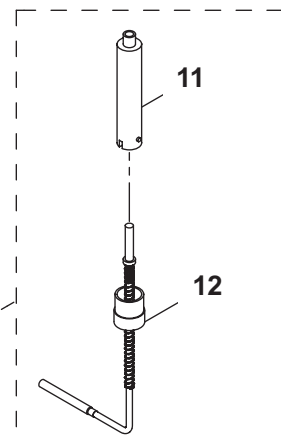
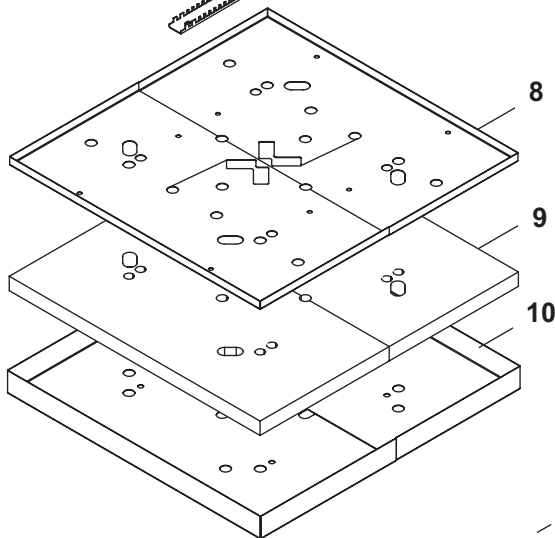
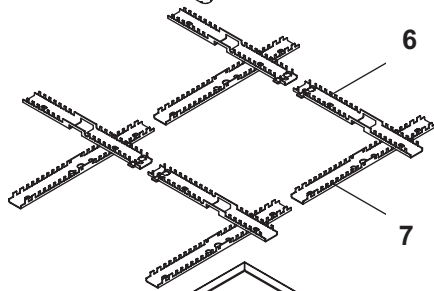
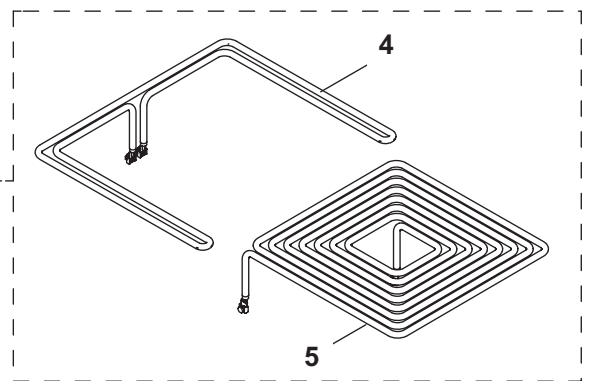
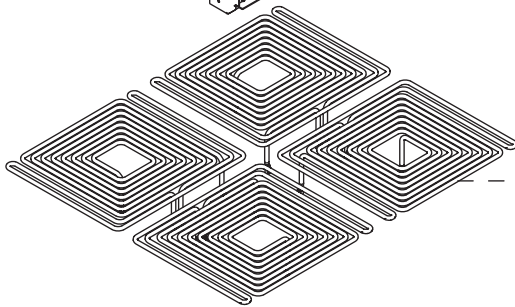
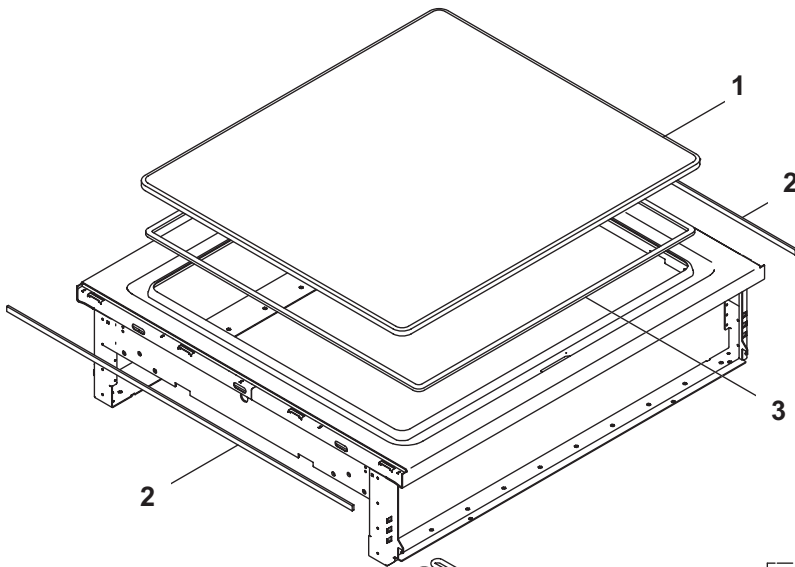
\* Components on demand  
\* Teile auf Anfrage

Doc. № 599A2B000 / 82.8127.03

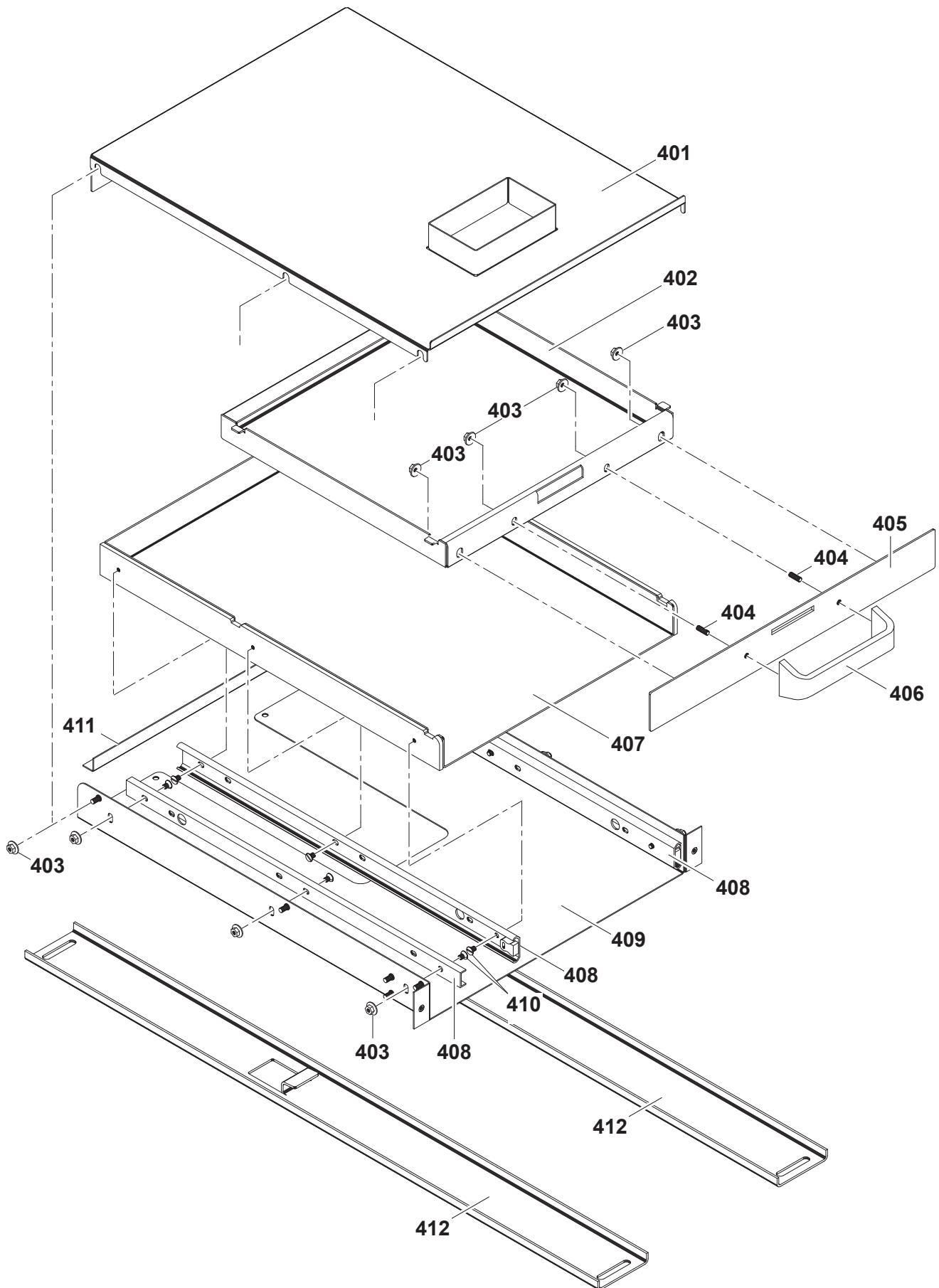
Page: 3



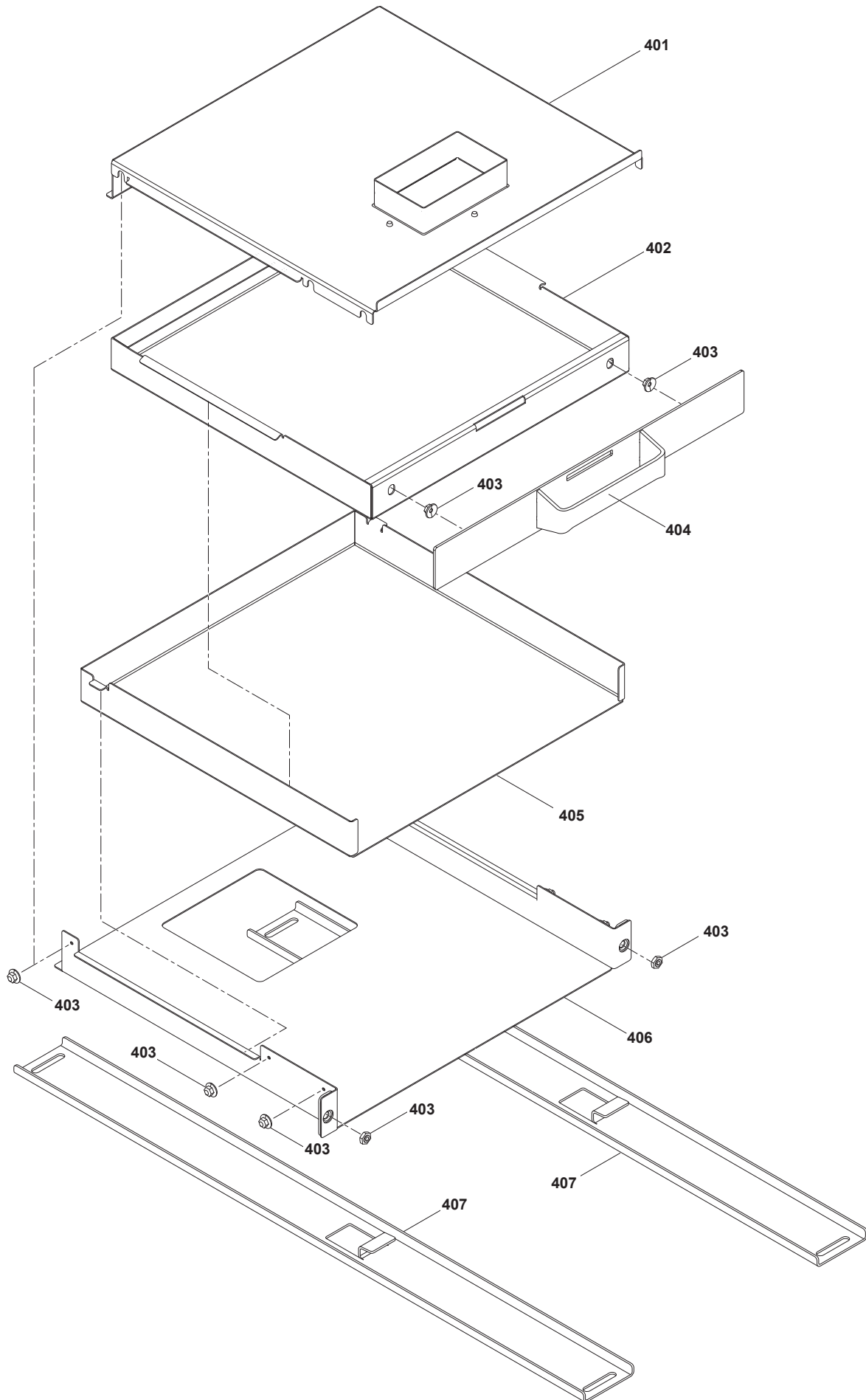




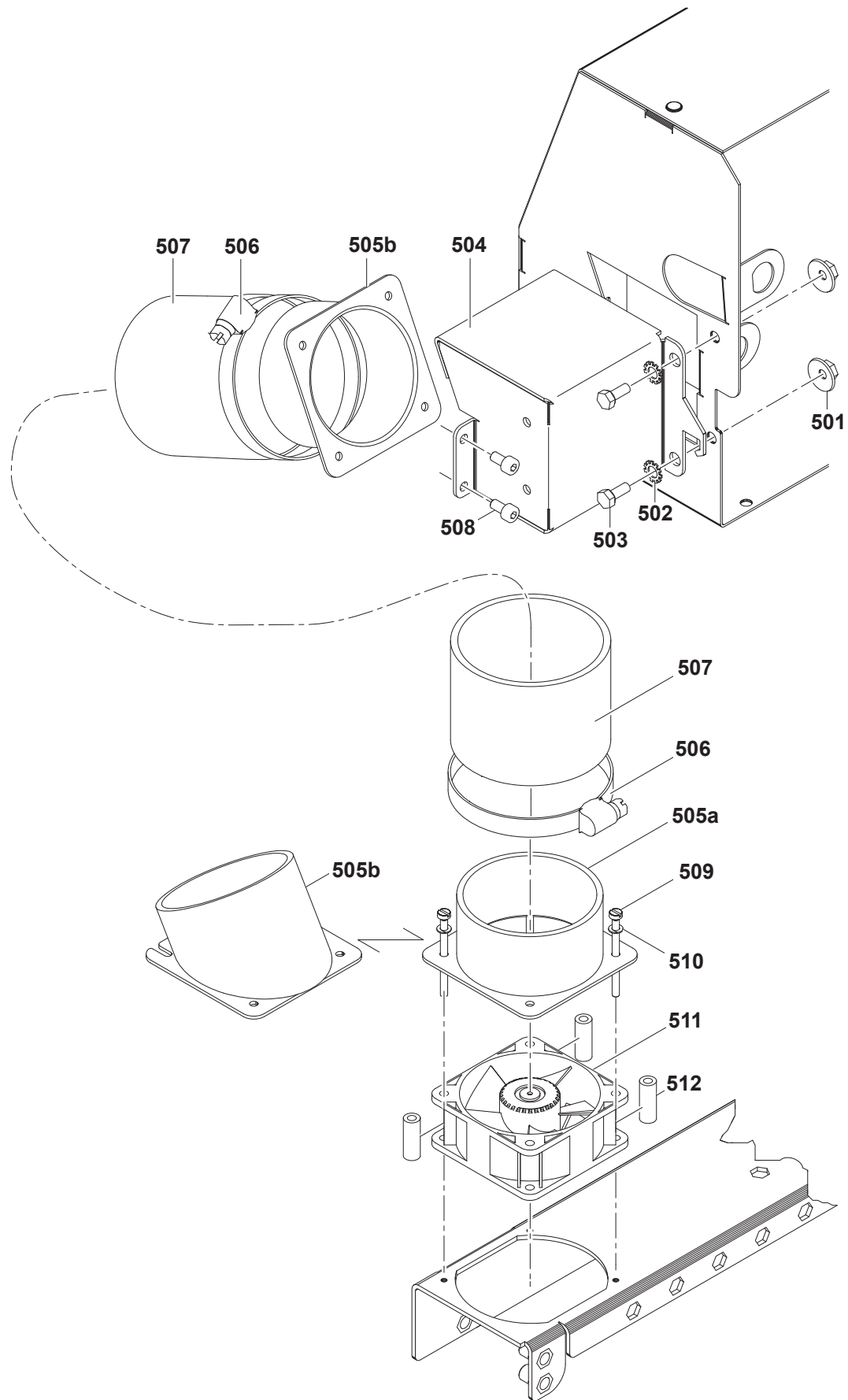
3	Alias	Code	Bezeichnung	Description	Ref.	Valid from Serial N°
301	82.7324.01	OG6697	Platte Free cooking Top 1000x900 14mm	Plate Free cooking Top 1000x900 14mm	W1000/D900	until 8341...
301	82.7322.01	OG7828	Platte Free cooking Top 800x800/850 14mm	Plate Free cooking Top 800x800/850 14mm	W800/D800/850	until 8341...
301	82.3123.01	OG8160	Platte Free cooking Top 800x800/850 20mm	Plate Free cooking Top 800x800/850 20mm	W800/D800/850	8351...
301	82.3123.04	OG8163	Platte Free cooking Top 800x800/850 20mm UL	Plate Free cooking Top 800x800/850 20mm UL	W800/D800/850 for USA	8351...
301	82.3124.01	OG8165	Platte Free cooking Top 1000x900 20mm	Plate Free cooking Top 1000x900 20mm	W1000/D900	8351...
301	82.3124.04	OG8168	Platte Free cooking Top 1000x900 20mm UL	Plate Free cooking Top 1000x900 20mm UL	W1000/D900 for USA	8351...
301	82.7589.01	OG8177	Platte KPL Free cooking Top 800x800/850 20mm	Plate CPL Free cooking Top 800x800/850 20mm	W800/D800/850	8351...
301	82.7584.01	OG7968	Platte KPL. Free cooking Top 1000x900 20mm	Plate CPL. Free cooking Top 1000x900 20mm	W1000/D900	8351...
302	82.7464	OC2496	Dichtband (klebend)	Sealing strip	all 4 Zone	
303	82.7551	OG7755	Dichtband Platte	Sealing strip plate	all 4 Zone	until 8381...
303	82.7611	OG8506	Dichtband Platte	Sealing strip plate	all 4 Zone	8391...
304	82.7166.02	OG6252	Heizelement 1kW 230V	Heating element 1kW 230V	Standard 4Z/D900	
304	82.7166.07	OG6951	Heizelement 1kW 440V (Marine)	Heating element 1kW 440V (marine)	Marine 4Z/D900	
304	82.7166.03	OG8263	Heizelement 1000x900 208V USA	Heating element 1000x900 208V USA	for USA	
305	82.7257.02	OG6251	Heizelement 3kW 230V	Heating element 3kW 230V	Standard 4Z/D900	
305	82.7257.07	OG6952	Heizelement 3kW 440V (Marine)	Heating element 3kW 440V (marine)	Marine 4Z/D900	
305	82.7257.03	OG8133	Heizelement 3kW 208V USA	Heating element 3kW 208V USA	for USA	
306	82.2232	OG7203	Heizungshalter längs 800	Heating element support lengthwise	4Zone, D800/850	
306	82.2188	OG7204	Heizungshalter längs 1000	Heating element support lengthwise	4Zone, D900	
307	82.2231	OG7205	Heizungshalter quer 800	Heating element support crosswise	4Zone, D800/850	
307	82.2187	OG7206	Heizungshalter quer 1000	Heating element support crosswise	4Zone, D900	
308	82.2233	OG7207	Strahlungsblech 800	Radiation sheet 800	D800/850	until 0222...
308	82.3227	OG8850	Strahlungsblech 800	Radiation sheet 800	D800/850	0230...
308	82.2189	OG7208	Strahlungsblech 1000	Radiation sheet 1000	D900	until 0222...
308	82.3225	OG8852	Strahlungsblech 1000	Radiation sheet 1000	D900	0230...
309	82.7307.01	OG7209	Isolation Heizelement 3kW	Insulation heating element 3kW	D800/850	until 0222...
309	82.3231	OG8849	Isolation Heizelement 800	Insulation heating element 800	D800/850	0230...
309	82.7307.02	OG7210	Isolation Heizelement 4kW	Insulation heating element 4kW	D900	until 0222...
309	82.3229	OG8853	Isolation Heizelement 1000	Insulation heating element 1000	D900	0230...
310	82.2234	OG7211	Verschaltung 800	Cover sheet 800	D800/850	until 0222...
310	82.3223	OG8848	Verschaltung 800	Cover sheet 800	D800/850	0230...
310	82.2190	OG7212	Verschaltung 1000	Cover sheet 1000	D900	until 0222...
310	82.3221	OG8851	Verschaltung 1000	Cover sheet 1000	D900	0230...
311	75.9013.04	OKE127	Fühlerschutz	Sensor protection	all types	
312	87.9045	OG5935	TC Bodenfühler rechts (blau)	TC bottom sensor right (blue)	all types	



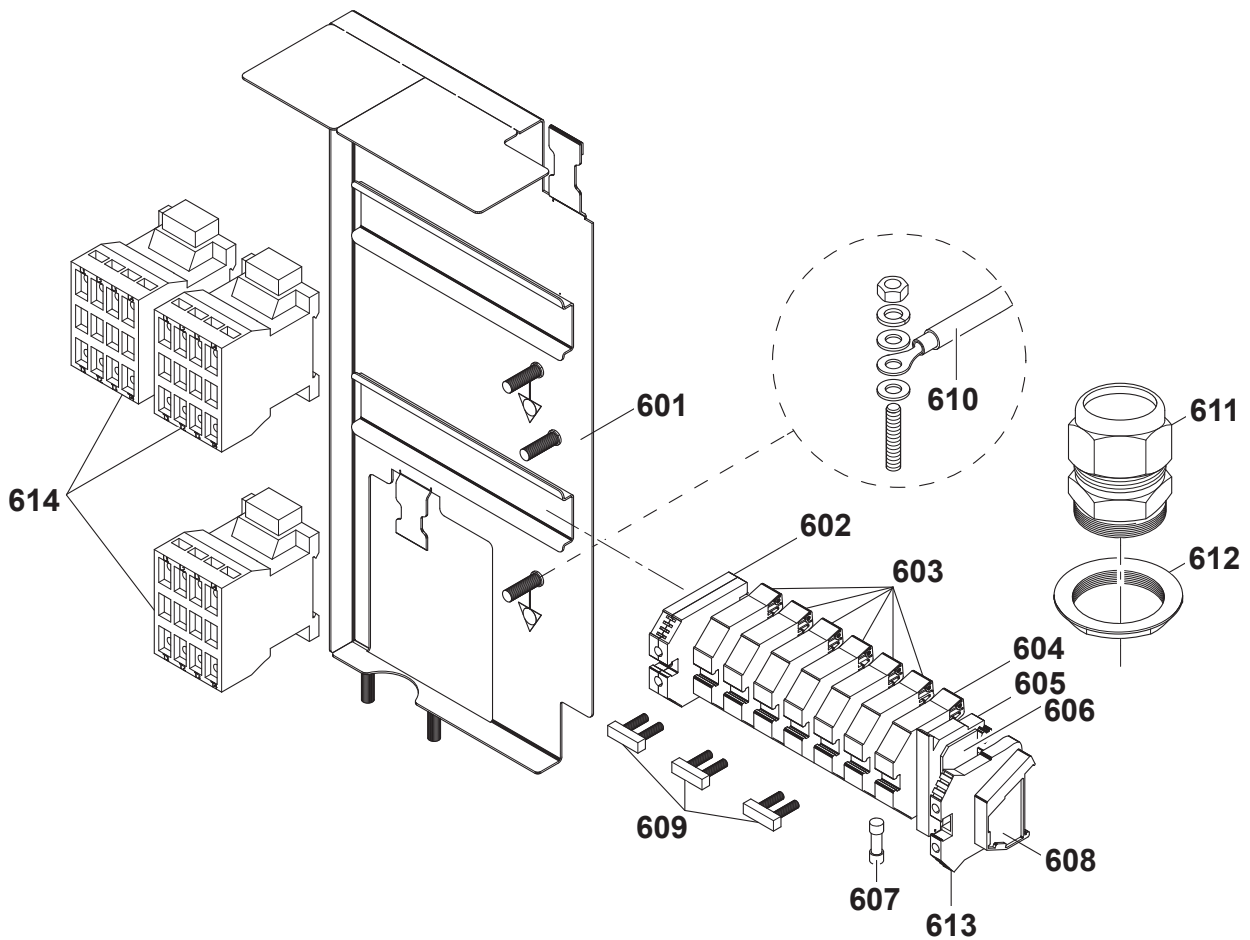




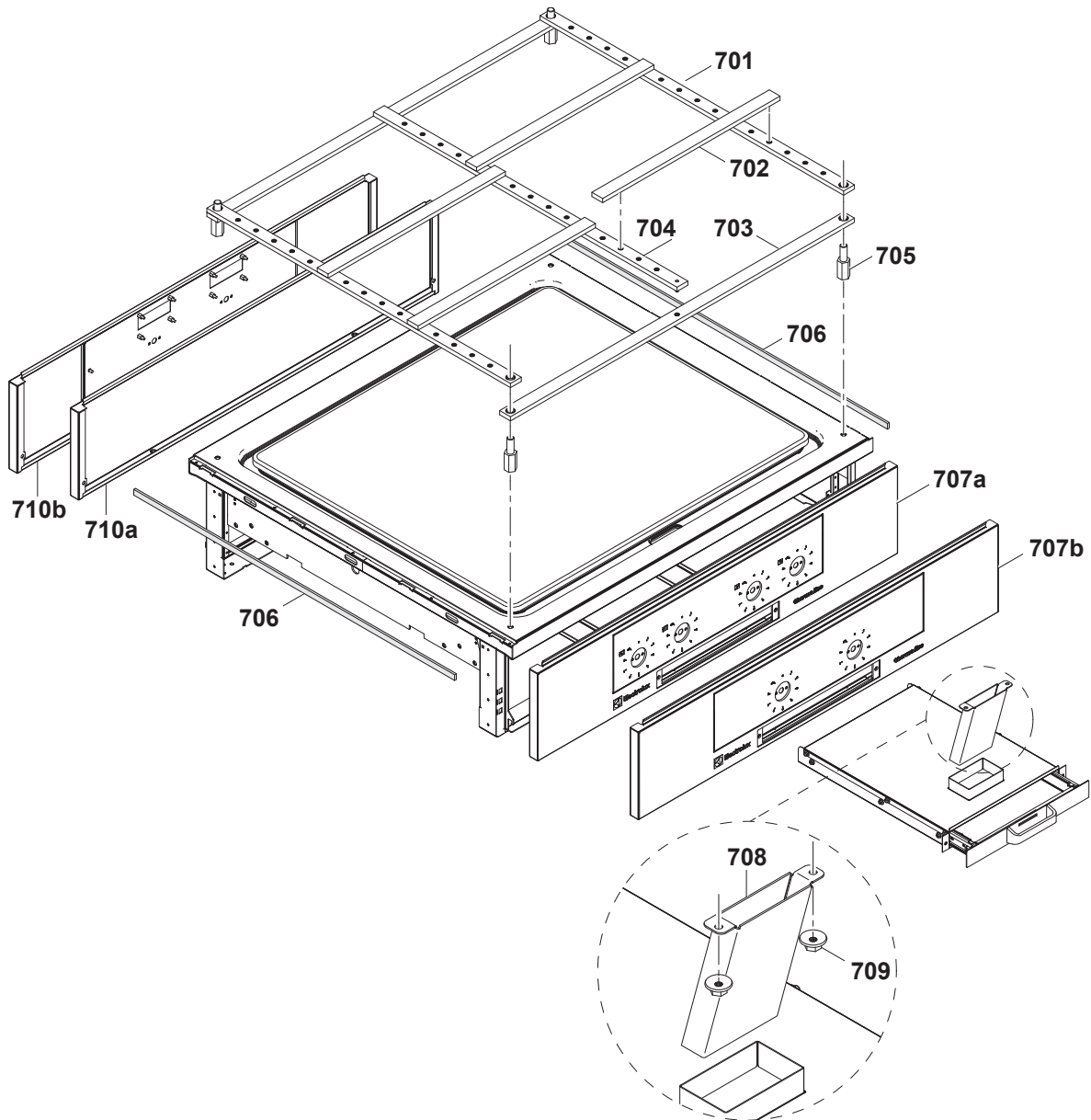






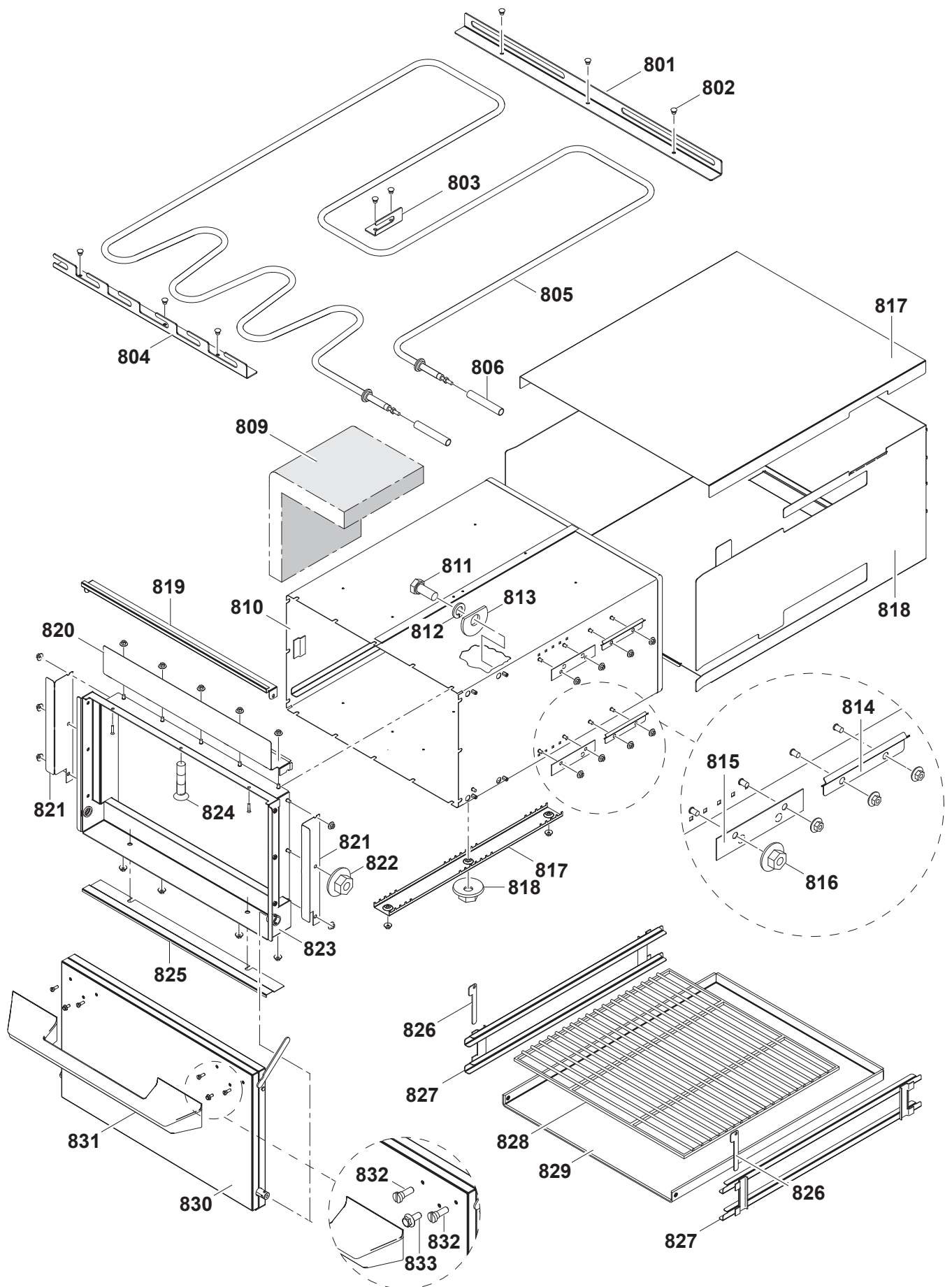


6	Alias	Code	Bezeichnung	Description	Ref.	Valid from Serial N°
601	82.3030.02	OG6423	Klemmenträger	Terminal support	all types	
601	82.3051	OG7430	Klemmenträger	Terminal support	all types	5431...
602	75.2011.03	OKX291	Schutzleiterklemme 16mm <sup>2</sup>	Ground conductor terminal 16mm <sup>2</sup>	all types	
603	75.2010.40	OKI280	Reihenklemme 16mm <sup>2</sup> grau	Terminal block 16mm <sup>2</sup> grey	all types	
604	75.2010.41	OG3488	Nullleiterklemme 16mm <sup>2</sup> blau	Neutral wire terminal 16mm <sup>2</sup> blue	all types/not in Marine	
605	75.2012.01	OK5155	Sicherungsklemme	Fuse holder terminal	all types	
606	75.2012.02	OT2599	Abschlusswand	Cover for fuse holder terminal	all types	
607	712 344362.01	OG5814	Sicherung 5x20 1 00A	Fuse 5x20 1 00AF	all types	
608	75.2013	OKX290	Arretierstück	Fixation	all types	
609	75.2010.44	OKT731	Querverbinder	Cross connection	all types	
610	82.9103	OG6424	Kabel Haupterd draht L400 6mm <sup>2</sup>	Main earthing cable L400 6mm <sup>2</sup>	all types	
610	62.1504.03	OG5977	Verdrahtung 2.5mmx800	Wiring 2.5mmx800	all types	
611	82.2809	OC0068	PG21 Kabelverschraubung	Cable gland PG21	all types	
612	82.9226	OG7024	PG21 Sicherungsmutter	Lock nut PG21	all types	
613	75.2010.20	OG7080	Reihenklemme 4mm <sup>2</sup> grau	Terminal block 4mm <sup>2</sup> grey	Marine	
614	1 115 1757	OG4645	Schütz K3-14x027 + K2-E230	Conductor K3-24x027 + K2-E230	Marine	

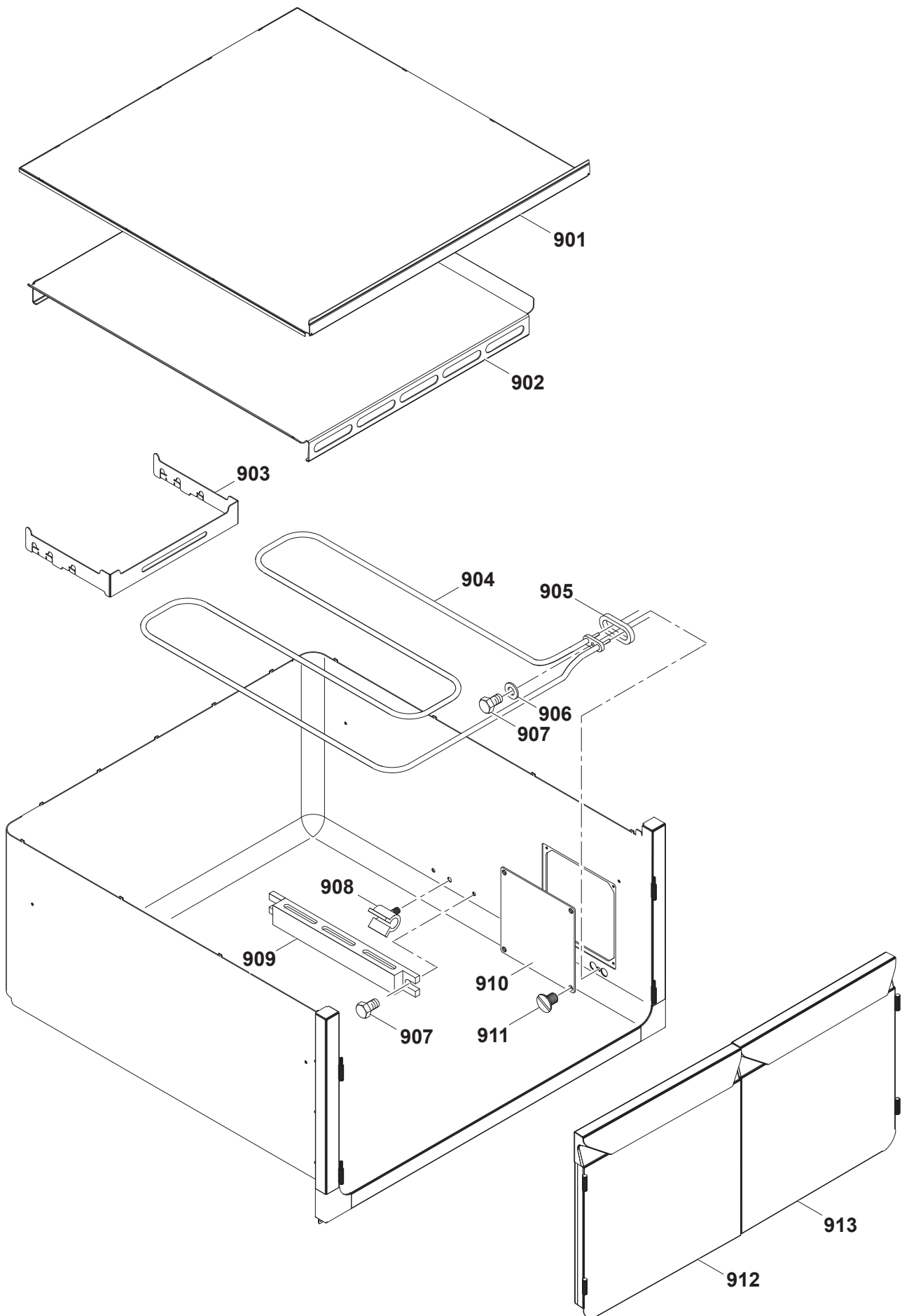


7	Alias	Code	Bezeichnung	Description	Ref.	Valid from Serial N°
	83.3745	OG7017	Schlingerstnage komplett 1000	Set roling racks 1000	4Zones Marine	
701	83.3741	OG7218	Schiene-1000 15xØ8	Rolling rack-1000 15xØ8	4Zones Marine	
702	83.3744	OG7219	Schiene-1000 2xØ6	Rolling rack-1000 2xØ6	4Zones Marine	
703	83.3743	OG7220	Schiene-1000 2xØ17	Rolling rack-1000 2xØ17	4Zones Marine	
704	83.3742	OG7221	Schiene-1000 15xØ8 mittig	Rolling rack-1000 15xØ8 mittig	4Zones Marine	
705	705 040432	OG5862	Abstandsbolzen 22x80/M8	Spacer bolt 22x80/M8	all Marine	
706	82.7464	OC2496	Dichtband (klebend)	Sealing strip	all types	
707	82.1027.115	*	Bedienblende 800 1S (Schublade)	Control panel 800 1S (drawer)	a b h k	
707	82.1049.53	*	Bedienb. 800 1S INOX (Schublade)	Control panel 800 1S INOX (drawer)	c l m	
707	82.1027.53	*	Bedienblende 1000 1S (Schublade)	Control panel 1000 1S (drawer)	d e f n o	
708	82.2684	OG7222	Ablauf	Drain	all types	
709	712 044120.04	OG4918	Keps-Mutter M4	Keps nut M4	all types	
710	82.1000.05	*	Blende 800	Panel 800	a b h k	
710	82.1000.07	OG7445	Blende 1000	Panel 1000	d e f n o	

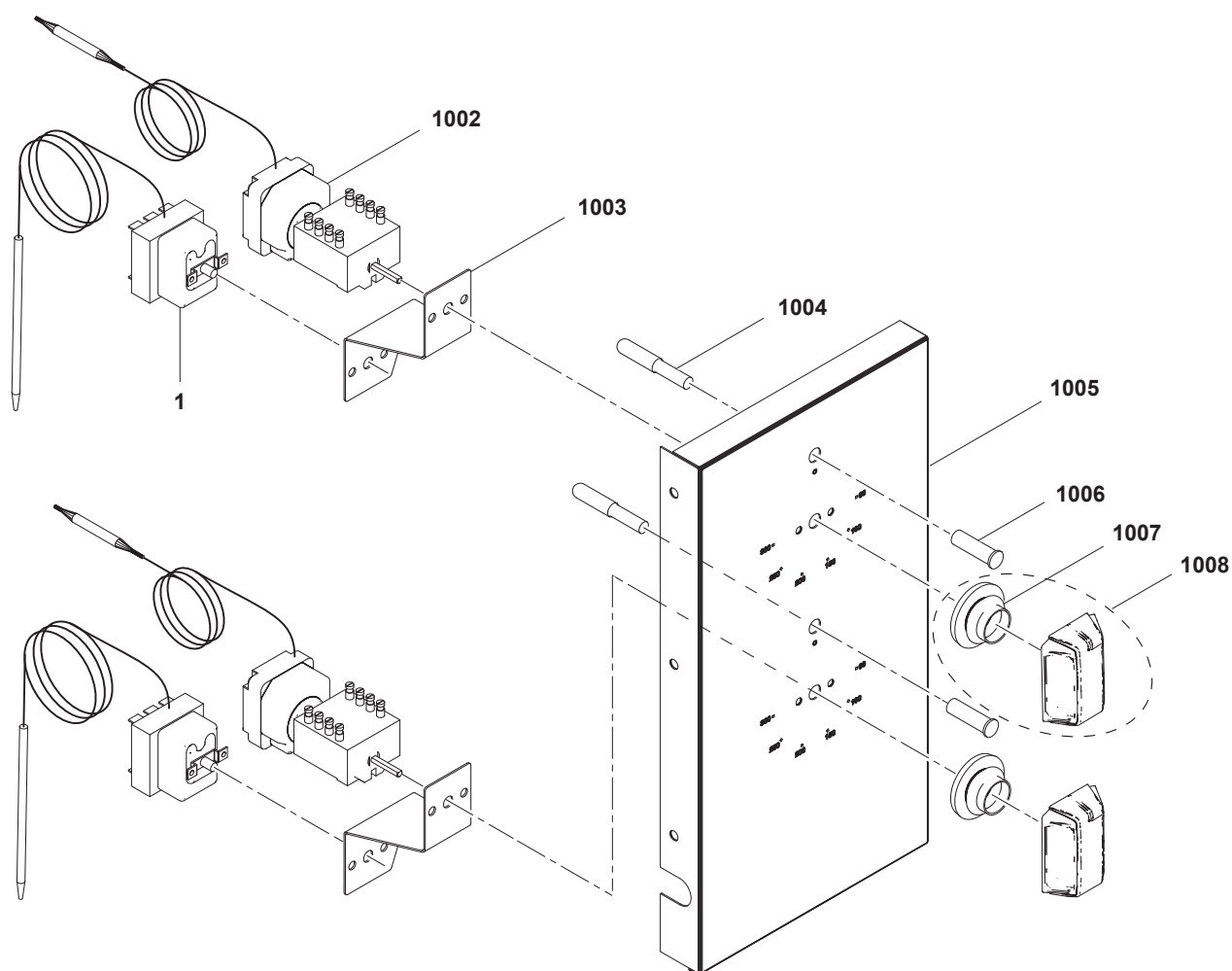
\* Components on demand  
\* Teile auf Anfrage



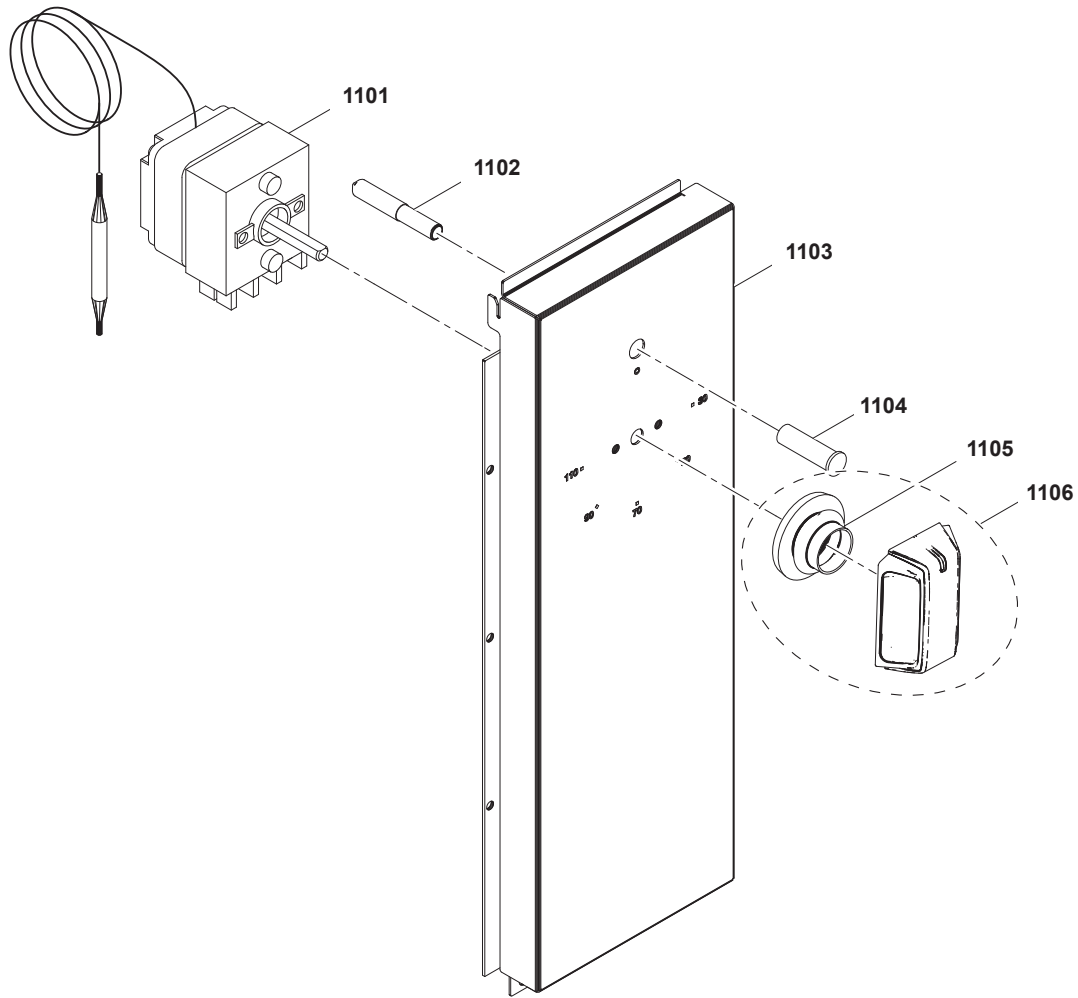
8	Alias	Code	Bezeichnung	Description	Ref.	Valid from Serial N°
801	72.6609	OT2542	Halter Heizung hinten	Heating element support backside	all types	
802	1 701 1102	OG6411	Niete 4x7.3	Rivet 4x7.3	all types	
803	72.6610	OT2543	Halter Heizung mittig	Heating element support middle	all types	
804	72.6613	OT2544	Halter heizung vorn	Heating element support frontside	all types	
805	72.5054.03	OK1360	Heizung 2.5kW 400V	Heating element 2.5kW 400V	all Standard	
805	72.5054.05	OG2987	Heizung 2.5kW 440V	Heating element 2.5kW 440V	all Marine	
805	72.5054.07	OG4076	Heizung 2.5KW 208V	Heating element 2.5kW 208V	for USA	
806	1 115 1281	OK4567	Isolierschlauch Ø14	Insulation tube Ø14	all types	
807	82.1157.03	*	Deckel Ofenverkleidung D800	Lid oven cover D800	D800	
807	82.1157.01	*	Deckel Ofenverkleidung D850	Lid oven cover D850	D850	
807	82.1157.02	*	Deckel Ofenverkleidung D900	Lid oven cover D900	D900	
808	82.1156.03	*	Unterteil Ofenverkleidung 1S/D800	Bottom oven cover 1S/D800	1-side/D800	
808	82.1156.01	*	Unterteil Ofenverkleidung 1S/D850	Bottom oven cover 1S/D850	1-side/D850	
808	82.1156.02	*	Unterteil Ofenverkleidung 1S/D900	Bottom oven cover 1S/D900	1-side/D900	
809	72.0807	OK4265	Isolation	Insulation	all types	
810	72.9794	*	Mantel Elektrobackofen	Mantle electric oven	all types	
811	1 701 2509	OK4598	Sechskantschraube M5x12	Hex bolt M5x12	all types	
812	1 701 5048	OH9734	Federring M5	Spring washer M5	all types	
813	719 040166	OG3052	Heizkörperscheibe	Disc	all types	
814	82.2520	OG7223	STB Halter	Safety thermostat support	all types	
814	83.9545	OG8215	STB Halter UL	Safety thermostat support UL	for USA	
815	719 040247	OK8882	Fühlerhalter	Sensor support	all types	
816	712 044120.06	OG3997	Keps-Mutter M6	Keps nut M6	all types	
817	72.0744	OK4263	Isolationsbefestigung	Insulation fixation	all types	
818	712 044120.06	OG3997	Keps-Mutter M6	Keps nut M6	all types	
819	83.3048	*	Abdeckprofil oben	Cover profile	all types	
820	82.2309	*	Klemmblech oben	Clamp sheet top	all types	
821	72.9822.02	*	Klemmblech links/rechts	Clamp sheet left/right	all types	
822	712 044120.06	OG3997	Keps-Mutter M6	Keps nut M6	all types	
823	83.3044	*	Frontrahmen Backofen	Frontal frame oven	all types	
824	GR40 186.1	OG3575	Flachkopfschraube M6x15	Flat head screw M6x15	all types	
825	83.3047	*	Abdeckprofil unten	Cover profile bottom	all types	
826	719 040244	OK5604	Arretierung Rostführung	Locking for grill rail	all types	
827	62.6197	OG6435	Rostführung Backofen 2/IGN	Grill rail 2/IGN	all types	
828	1 110 1300	OK6412	Grillrost 2/IGN	Grill 2/IGN	all types	
829	719 830045	OK8889	Einlegeplatte	Bottom plate	all types	
829	83.2367	OG8213	Einlegeplatte 1-S UL	Bottom plate 1-S UL	for USA	
829	83.9292	OG8214	Einlegeplatte 2-S 900 UL	Bottom plate 2-S 900 UL	for USA	
830	83.3450	OG6666	Backofentür komplett	Oven door complete	all types	
831	82.6500	OG7224	Handgriff Backofen	oven handle	all types	
832	82.7352	O93923	Schraube M5x12	Screw M5x12	all types	
833	82.7567	OG8666	Sicherungsschraube M5x16	Locking screw M5x16	all types	





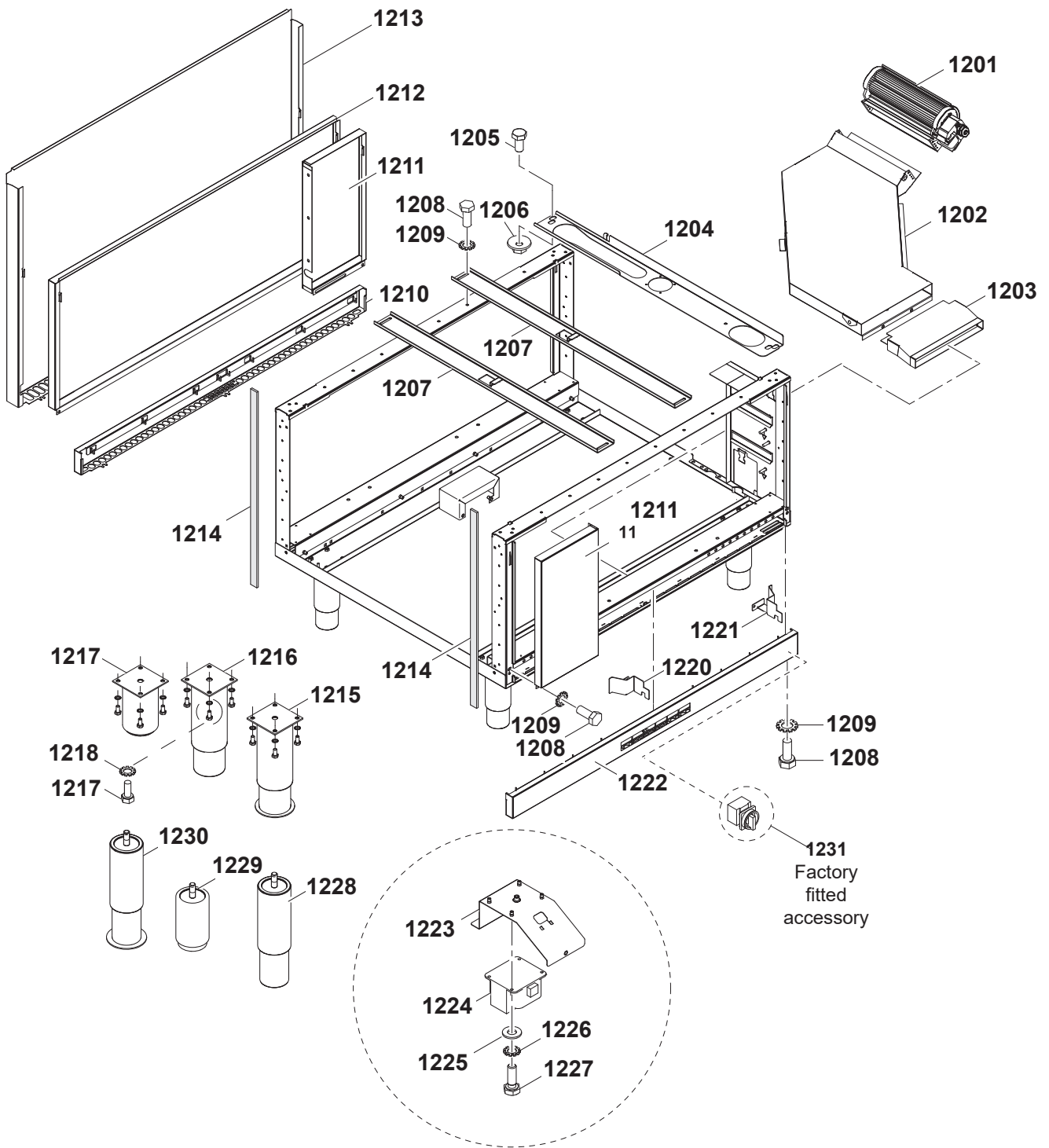


10	Alias	Code	Bezeichnung	Description	Ref.	Valid from Serial N°
1001	82.9053	004269	Sicherheitsthermostat 360°C-25K	Safety thermostat 360°C-25K	a b c d e f	
1001	82.9535	OG8207	Sicherheitsthermostat 365°C UL	Safety thermostat 365°C UL	for USA	
1002	82.9120	OG6318	Schalter off - lin 3/4 + Regler 280°C	Switch off - lin 3/4 + control 280°C	a b c d e f /for USA	
1003	82.6524	OG7228	Montagewinkel	Mounting angle	a b c d e f	
1004	72.5938.03	OKI361	Anzeigelampe klar	Indicator light, clear	a b c d e f	
1005	82.1120.04	*	Reglerblende Ofen 126mm (°C)	Control panel oven 126mm (°C)	a b c	
1005	82.1120.03	*	Reglerblende Ofen 201mm (°C)	Control panel oven 201mm (°C)	d e f	
1005	82.1120.12	OG8141	Reglerblende Ofen 151mm (°F)	Control panel oven 151mm (°F)	for USA	
1005	82.1120.13	OG8102	Reglerblende Ofen 201mm (°F)	Control panel oven 201mm (°F)	for USA	
1006	72.5938.07	OKI363	Einsteckfassung klar Ø10mm	Lamp holder, clear, Ø10mm	a b c d e f	
1007	82.7009	OG6247	Dichtung Drehgriff	Sealing for handle	a b c d e f	
1007	82.7628	OG8603	Dichtung Drehgriff	Sealing for handle	colored M2M	
1008	82.6637.01	OG7693	Drehgriff Kpl.	Handle complete kit	a b c d e f	
1008	82.6638.01	OG8620	Drehgriff Kpl.	Handle complete kit	colored M2M	
	82.9203	OG6950	Kabelbaum: Ofen 1-seitig Marine	Wiring harness: oven 1-side Marine	f	
	82.9104	OG7389	Kabel: X0 - Schalter - 5+6 (Ofen)	Cable: X0 - switch - 5+6 (oven)	a b c f e	
	82.9071.01	OG7390	Kabel: Schalter R5-STBI-E5 H5 (Ofen)	Cable: switch R5-STBI-E5 H5 (oven)	a b c f e	
	82.9071.02	OG7391	Kabel: Schalter R6-STB2-E6 H6 (Ofen)	Cable: switch R6-STB2-E6 H6 (oven)	a b c f e	
	82.9132.01	OG7278	Kabel: Ofen - Querstromlüfter groß	Cable: oven - cross flow blower large	a b c f e	
	82.9515	OG8210	Kabel: UL X0 - Schalter - 5+6 (Ofen)	Cable: UL X0 - switch - 5+6 (oven)	for all types USA	
	82.9516.01	OG8211	Kabel: UL Schalter 5-STBI-E5 H5 (Ofen)	Cable: UL switch 5-STBI-E5 H5 (oven)	for all types USA	
	82.9516.02	OG8212	Kabel: UL Schalter 6-STB2-E6 H6 (Ofen)	Cable: UL switch 6-STB2-E6 H6 (oven)	for all types USA	



11	Alias	Code	Bezeichnung	Description	Ref.	Valid from Serial N°
1101	712 344039	0K5023	Kapillarrohrregler 30-100	Capillary control 30-100	h k l m n o	
1102	72.5938.03	0K1361	Anzeigelampe klar	Indicator light, clear	h k l m n o	
1103	82.1043.01	*	Bedienblende warming cabinet, rechts, 130	Control panel warming cabinet, right, 130	h k l m	
1103	82.1043.04	*	Bedienblende warming cabinet, rechts, 100	Control panel warming cabinet, right, 100	n o	
1104	72.5938.07	0K1363	Einsteckfassung klar Ø10mm	Lamp holder, clear, Ø10mm	h k l m n o	
1105	82.7009	0G6247	Dichtung Drehgriff	Sealing for handle	h k l m n o	
1105	82.7628	0G8603	Dichtung Drehgriff	Sealing for handle	colored M2M	
1106	82.6637.02	0G7694	Drehgriff Kpl.	Handle complete kit	h k l m n o	
1106	82.6638.02	0G8621	Drehgriff Kpl.	Handle complete kit	colored M2M	
	62.1544.01	0G7399	Kabelbaum: Wärmeschrank komplett	Wiring harness: warming cabinet	h k l m n o	
	62.1503.02	0G7162	Verdrahtung 2X0.5X 300	Wiring 2x0.5x300	h k l m n o	
	82.9183.01	0G7359	Kabel: WS-Qquerstromlüfter	Cable: Warming cab.-cross flow blower	h k l m n o	

\* Components on demand  
\* Teile auf Anfrage



12	Alias	Code	Bezeichnung	Description	Ref.	Valid from Serial N°
1201	1 115 1416	OK5059	Querstromlüfter	Cross flow blower	all types	
1201	82.7582	OG8208	Querstromlüfter QLN65/2400 115V	Cross flow blower QLN65/2400 115V	for USA	
1202	82.5201.008	*	Luftkanal Ofen 800x800	Air channel oven 800x800	D800	
1202	82.5202.008	*	Luftkanal Ofen 800x850	Air channel oven 800x850	D850	
1202	82.5203.010	*	Luftkanal Ofen 1000x900	Air channel oven 1000x900	D900	
1203	82.1184	*	Kanalverlängerung vorn	Channel extension frontside	all types	
1203	82.1200.01	*	Kanalverlängerung Oberteil	Channel extension top part	all types	5451...
1203	82.1201.01	*	Kanalverlängerung Unterteil	Channel extension bottom part	all types	5451...

12	Alias	Code	Bezeichnung	Description	Ref.	Valid from Serial N°
1204	82.3040.01	*	Schiene Spatabox D800	Guide track D800	D800	
1204	82.3040.02	*	Schiene Spatabox D850	Guide track D850	D850	
1204	82.3040.03	*	Schiene Spatabox D900	Guide track D900	D900	
1205	1 701 2503	0G5490	Sechskantschraube M4x8	Hex bolt M4x8	all types	
1206	712 044120.04	0G4918	Kep-Mutter M4	Keps nut M4	all types	
1207	82.6504.03	*	Aufhängung Schublade D800	Drawer guide D800	all D800	
1207	82.6504.04	*	Aufhängung Schublade D850	Drawer guide D850	all D850	
1207	82.6504.05	*	Aufhängung Schublade D900	Drawer guide D900	all D900	
1208	1 701 2579	0G4020	Sechskantschraube M5x16	Hex bolt M5x16	all types	
1209	1 701 7002	0G2923	Fächerscheibe M5	Fan washer M5	all types	
1210	82.1140.08	0G7288	Anschlussdeckel H66/L800	Bottom front panel H66/L800	H700/D800 no C-Board	
1210	82.1140.28	*	Anschlussdeckel H166/L800	Bottom front panel H166/L800	H800/D800 no C-Board	
1210	82.1140.10	0G7901	Anschlussdeckel H66/L1000	Bottom front panel H66/L1000	H700/D900 no C-Board	
1210	82.1140.30	0G7792	Anschlussdeckel H166/L1000	Bottom front panel H166/L1000	H800/D900 no C-Board	
1211	82.1046.11	*	Ofenblende 76mm links	Oven panel 76mm links	a b c	
1211	82.1046.01	*	Ofenblende 201mm links	Oven panel 201mm links	d e f	
1211	82.1042.01	*	Korpusabdeckung links 130	Cover panel left 130	n o	
1211	82.1042.05	*	Korpusabdeckung links 60	Cover panel left 60	h k l m	
1212	82.1102.07	0G7286	Rückwand 800x700	Back panel 800x700	a h / no C-board	
1212	82.1102.27	*	Rückwand 800x800	Back panel 800x800	b k / no C-board	
1212	82.1102.09	*	Rückwand 1000x700	Back panel 1000x700	d f n / no C-board	
1212	82.1102.29	*	Rückwand 1000x800	Back panel 1000x800	e o / no C-board	
1213	82.1007.07	*	Rückwand C-Board 800x700	Back panel C-Board 800x700	a c h l m / C-board	
1213	82.1007.27	*	Rückwand C-Board 800x800	Back panel C-Board 800x800	b k /C-board	
1213	82.1007.09	*	Rückwand C-Board 1000x700	Back panel C-Board 1000x700	d n /C-board	
1213	82.1007.29	*	Rückwand C-Board 1000x800	Back panel C-Board 1000x800	e o /C-board	
1214	82.7467	0C7307	Dichtung 5mm	Sealing sides 5mm	H700/800	5101...
1215	83.3728	0G6886	Stellfuß 2" Marine 145-252mm	Adjustable feet 2" Marine 145-252mm	H700 Marine	
1216	86.0001	0G5391	Stellfuß 2" 145-252mm rund	Adjustable feet 2" 145-252mm, round	H700	
1217	86.2385	0G6140	Stellfuß 2" 100mm	Adjustable feet 2" 100mm	H800	
1218	1 701 5051	0G6753	Fächerscheibe M6	Fan washer M6	H700/800	
1219	1 701 2600	0KT919	Sechskantschraube M6x12	Hex bolt M6x12	H700/800	
1220	82.0113.01	0G7386	Leitblech H700 links	Aeration sheet left H700	H700	
1220	82.0113.11	0G7387	Leitblech H800 links	Aeration sheet left H800	H800	
1221	82.0113.02	0G7385	Leitblech H700 rechts	Aeration sheet right H700	H700	
1221	82.0113.12	0G7388	Leitblech H800 rechts	Aeration sheet right H800	H800	
1222	82.1178.08	0G7225	Anschlussdeckel (Lüftung) H66/L800	Bottom front panel (aeration) H66/L800	H700/D800/850	
1222	82.1178.28	0G7226	Anschlussdeckel (Lüftung) H166/L800	Bottom front panel (aeration) H166/L800	H800/D800	
1222	82.1178.10	0G6681	Anschlussdeckel (Lüftung) H66/L1000	Bottom front panel (aeration) H66/L1000	H700/D900	
1222	82.1178.30	0G7227	Anschlussdeckel (Lüftung) H166/L1000	Bottom front panel (aeration) H166/L1000	H800/D900	
1223	82.3029	0G7057	Halteblech	Metal support	all Marine	
1224	82.9209	006710	Autotransformer 0-240-400-440V-150VA	Autotransformer 0-240-400-440V-150VA	all Marine	
1225	1 701 3502	0G3595	Unterlegscheibe M4	Washer M4	all Marine	
1226	1 701 7060	0G8920	Fächerscheibe M4	Fan washer M4	all Marine	
1227	1 701 2629	0G5854	Sechskantschraube M4x12	Hex bolt M4x12	all Marine	
1228	82.0350.01	0G7958	Fuss M10 200mm	Foot M10 200mm	H700	7141...
1229	82.0350.02	0G7957	Fuss M10 100mm	Foot M10 100mm	H800	7141...
1230	82.0350.03	0G9239	Fuss M10 200mm Marine	Foot M10 200mm Marine	H700 Marine	7141...
1231	76.9164.02	0K4979	Hauptschalter 63A	Main switch 63A	H800	8041...

\* Components on demand  
\* Teile auf Anfrage