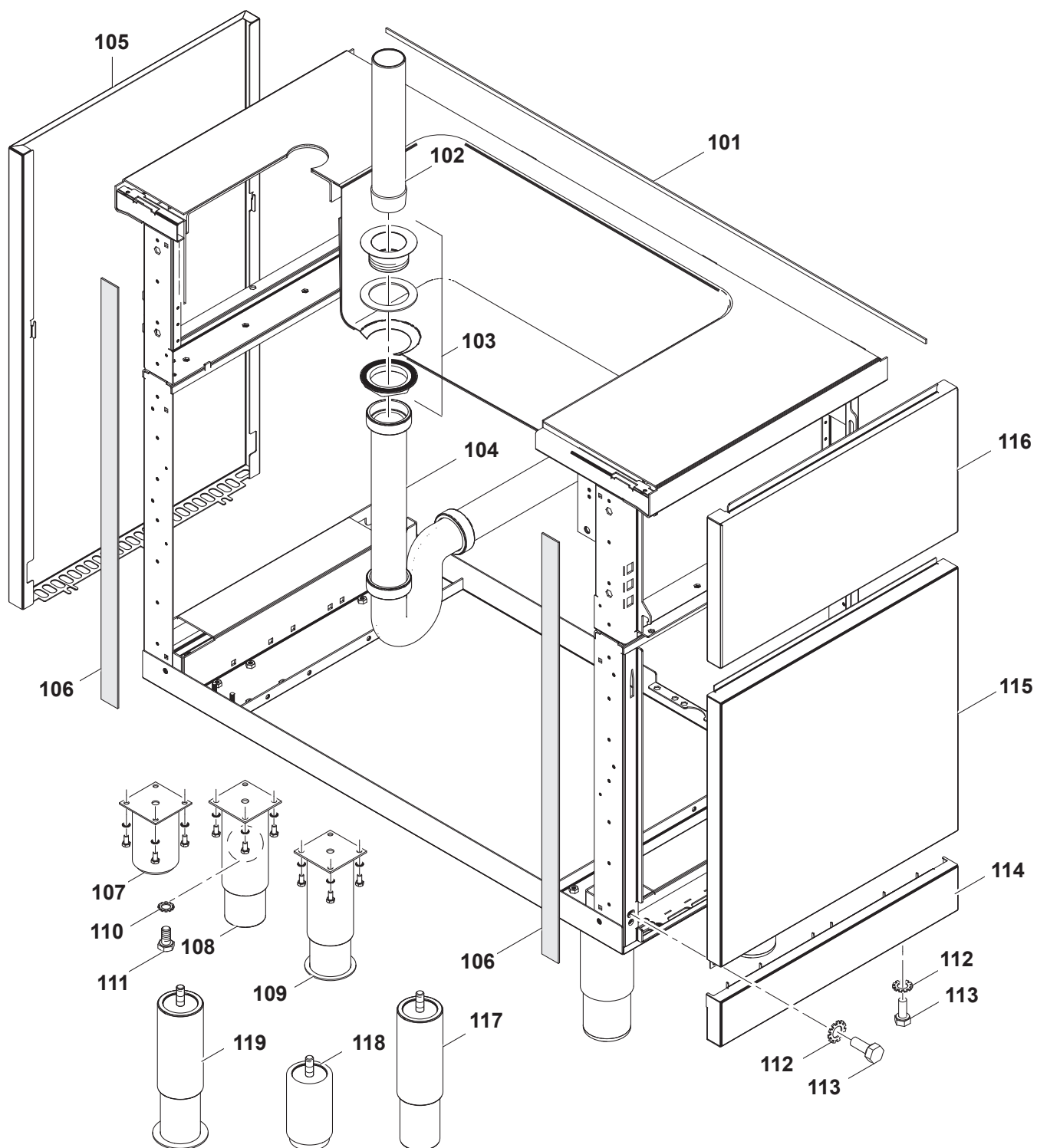


**THERMALINE 80/85/90**

**DE** SPÜLBECKEN  
**EN** SINK UNITS

<b>PNC</b>	<b>Factory Model</b>	<b>Ref.</b>	<b>Description</b>
588213	MAZAGAD300	a	SINK UNIT, 400X800X700H
588214	MAZAGBD300	a	SINK UNIT, C-BOARD, 400X800X700H
588299	MAZAHAD300	b	SINK UNIT, 400X800X800H
588300	MAZAHBD300	b	SINK UNIT, C-BOARD, 400X800X800H
588635	MBZAGBD300	c	SINK UNIT, C-BOARD, 400X850X700H
589308	MCZAGAD300	d	SINK UNIT, 400X900X700H
589309	MCZAGBD300	d	SINK UNIT, C-BOARD, 400X900X700H
589465	MCZAHAD300	e	SINK UNIT, 400X900X800H
589466	MCZAHBD300	e	SINK UNIT, C-BOARD, 400X900X800H
589898	MCZAGAD30M	d	MARINE SINK UNIT, 400X900X700H

<b>Page</b>	<b>Index</b>	<b>Last Updates</b>	<b>Page</b>	<b>Position</b>
2	Full appliance	12/2015	all	
4	Mixer tap	01/2017	2/3	
		04/2017	2	
		02/2018	5	
		11/2018	5	2
		11/2019	5	10
		01/2024	1	added marine PNC
<b>Valid from Ser. № 3101....</b>				



1	Alias	Code	Bezeichnung	Description	Ref.	Valid from Serial N°
101	82.7464	0C2496	Dichtband (Schaumstoff-Silikon, mlebend)	Sealing strip	all types	
102	82.7484	0C9489	Überlauf	Overflow pipe	all types	
103	82.7481	069654	Abfluss	Drain	all types	
104	82.7483	0C9488	Siphon mit flexiblem Abfluss	Siphon with flexible drain pipe	all types	
105	82.1102.03	0G7284	Rückwand 400x700 ohne Aufkantung	Back panel 400x700 without C-board	all H700/ no CB	
105	82.1102.23	0G7468	Rückwand 400x800 ohne Aufkantung	Back panel 400x800 without C-board	all H800/ no CB	
106	82.7467	0C7307	Dichtung 5mm	Sealing sides 5mm	all types	5101...
107	86.2385	0G6140	Stellfuß 2" 100mm	Adjustable feet 2" 100mm	all H800	
108	86.0001	0G5391	Stellfuß 2" 145-252mm rund	Adjustable feet 2" 145-252mm, round	all H700	
109	83.3728	0G6886	Stellfuß 2" Marine 145-252mm	Adjustable feet 2" Marine 145-252mm	Marine	
110	1 701 5051	0G6753	Fächerscheibe M6	Fan washer M6	all types	
111	1 701 2600	0KT919	Sechskantschraube M6x12	Hex bolt M6x12	all types	
112	1 701 7002	0G2923	Fächerscheibe M5	Fan washer M5	all types	
113	1 701 2579	0G4020	Sechskantschraube M5x16	Hex bolt M5x16	all types	
114	82.1140.04	0G7122	Anschlussdeckel H66/B400	Bottom Panel H66/B400	all H700	
114	82.1140.24	0G7469	Anschlussdeckel H166/B400	Bottom Panel H166/B400	all H800	
115	82.1031.04	*	Blende Unterbau	Base panel	all types	
116	82.1000.01	*	Blende Top	Top panel	all types	
117	82.0350.01		Fuss M10 200mm	Foot M10 200mm	all H700	7141...
118	82.0350.02		Fuss M10 100mm	Foot M10 100mm	all H800	7141...
119	82.0350.03		Fuss M10 200mm Marine	Foot M10 200mm Marine	Marine	7141...

