

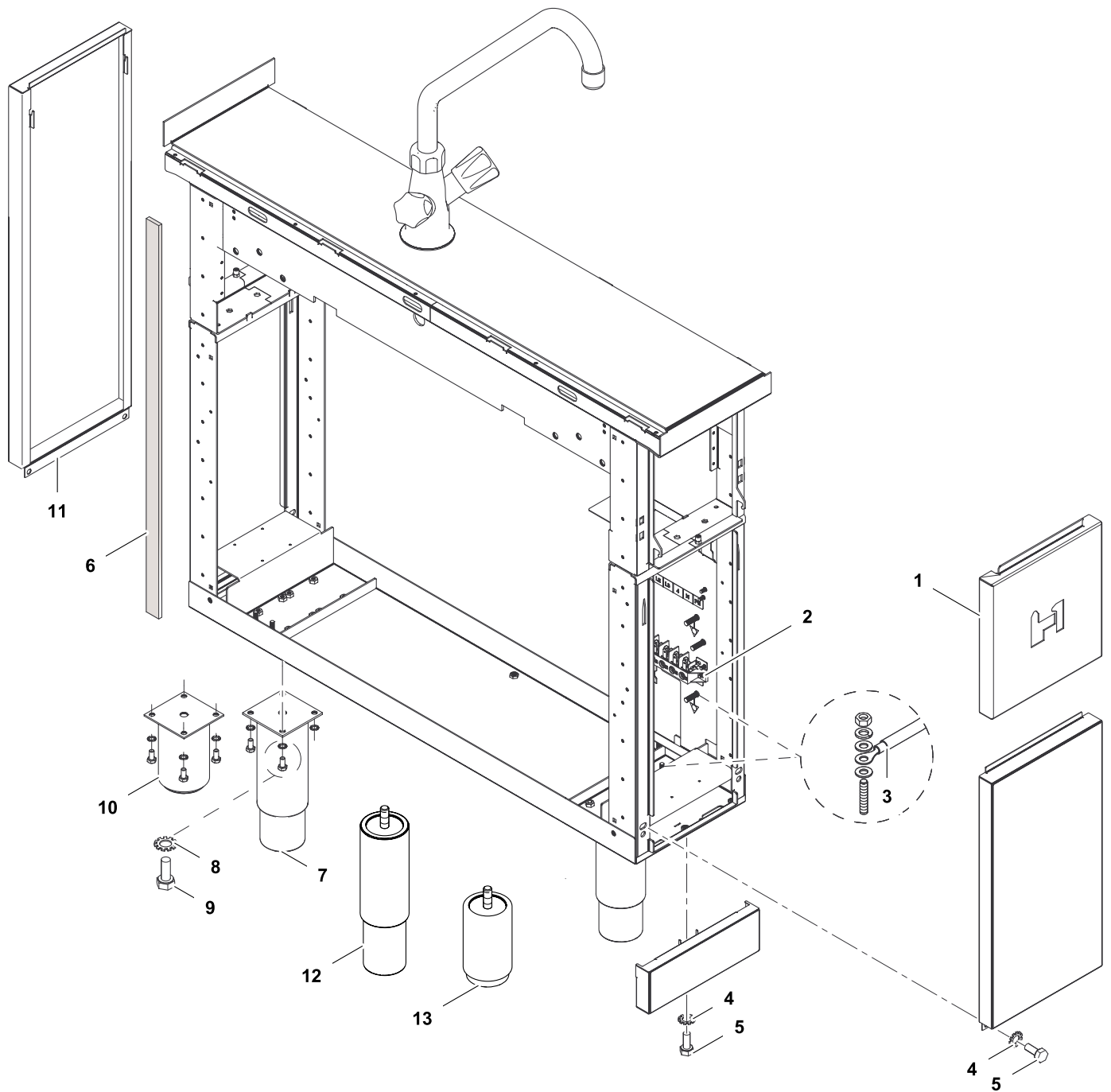
DE MISCHBATTERIE-ELEMENT
EN MIXER TAP UNIT

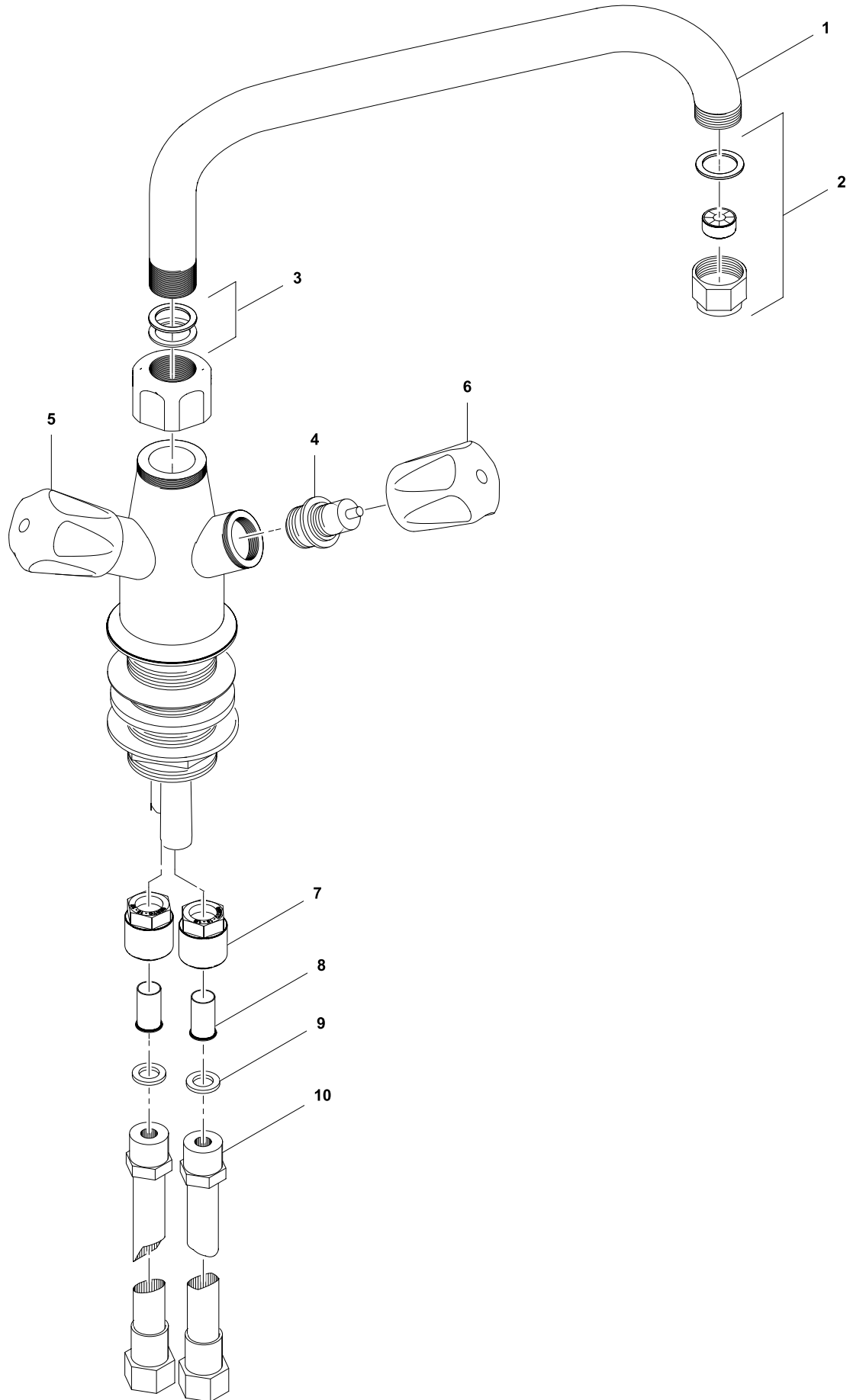
PNC	Factory Model	Ref.	Description
588386	MAEAGAB300	a	MIXER TAP, LEVER, 200X800X700
588387	MAEAGBB300	a	MIXER TAP, LEVER, C-BOARD, 200X800X700
588388	MAEBGAB300	b	MIXER TAP, KNOBS, 200X800X700
588389	MAEBGBB300	b	MIXER TAP, KNOBS, C-BOARD, 200X800X700
588390	MAEAHAB300	c	MIXER TAP, LEVER, 200X800X800
588391	MAEAHBB300	c	MIXER TAP, LEVER, C-BOARD, 200X800X800
588392	MAEBHAB300	d	MIXER TAP, KNOBS, 200X800X800
588393	MAEBHBB300	d	MIXER TAP, KNOBS, C-BOARD, 200X800X800
588098	MAEABAB000	q	MIXER TAP, LEVER, 200X800X250
588099	MAEABBB000	q	MIXER TAP, LEVER, C-BOARD, 200X800X250
588100	MAEBBAB000	r	MIXER TAP, KNOBS, 200X800X250
588101	MAEBBBB000	r	MIXER TAP, KNOBS, C-BOARD, 200X800X250
588172	MAMAGAB3BO	e	MIXER TAP, AUTOM. WATER FILLING, 200X800X700H
588173	MAMAGBB3BO	e	MIXER TAP, AUTOM. WATER FILLING, C-BOARD, 200X800X700
588266	MAMAHAB3BO	f	MIXER TAP, AUTOM. WATER FILLING, 200X800X800H
588267	MAMAHBB3BO	f	MIXER TAP, AUTOM. WATER FILLING, C-BOARD, 200X800X800
588558	MBEAGBB300	g	MIXER TAP, LEVER, C-BOARD, 200X850X700
588559	MBEBGBB300	h	MIXER TAP, KNOBS, C-BOARD, 200X850X700
588710	MBEABBB000	s	MIXER TAP, LEVER, C-BOARD, 200X850X250
588711	MBEBBBB000	t	MIXER TAP, KNOBS, C-BOARD, 200X850X250
588597	MBMAGBB3BO	i	MIXER TAP, AUTOM. WATER FILLING, C-BOARD, 200X850X700
589591	MCEAGAB300	k	MIXER TAP, LEVER, 200X900X700
589592	MCEAGBB300	k	MIXER TAP, LEVER, C-BOARD, 200X900X700
589593	MCEBGAB300	l	MIXER TAP, KNOBS, 200X900X700
589594	MCEBGBB300	l	MIXER TAP, KNOBS, C-BOARD, 200X900X700
589595	MCEAHAB300	m	MIXER TAP, LEVER, 200X900X800
589596	MCEAHBB300	m	MIXER TAP, LEVER, C-BOARD, 200X900X800
589597	MCEBHAB300	n	MIXER TAP, KNOBS, 200X900X800
589598	MCEBHBB300	n	MIXER TAP, KNOBS, C-BOARD, 200X900X800
589146	MCEABAB000	u	MIXER TAP, LEVER, 200X900X250
589147	MCEABBB000	u	MIXER TAP, LEVER, C-BOARD, 200X900X250
589148	MCEBBAB000	v	MIXER TAP, KNOBS, 200X900X250
589149	MCEBBBB000	v	MIXER TAP, KNOBS, C-BOARD, 200X900X250
589221	MCMAGAB3BO	o	MIXER TAP, AUTOM. WATER FILLING, 200X900X700H
589222	MCMAGBB3BO	o	MIXER TAP, AUTOM. WATER FILLING, C-BOARD, 200X900X700
589390	MCMAHAB3BO	p	MIXER TAP, AUTOM. WATER FILLING, 200X900X800H
589391	MCMAHBB3BO	p	MIXER TAP, AUTOM. WATER FILLING, C-BOARD, 200X900X800

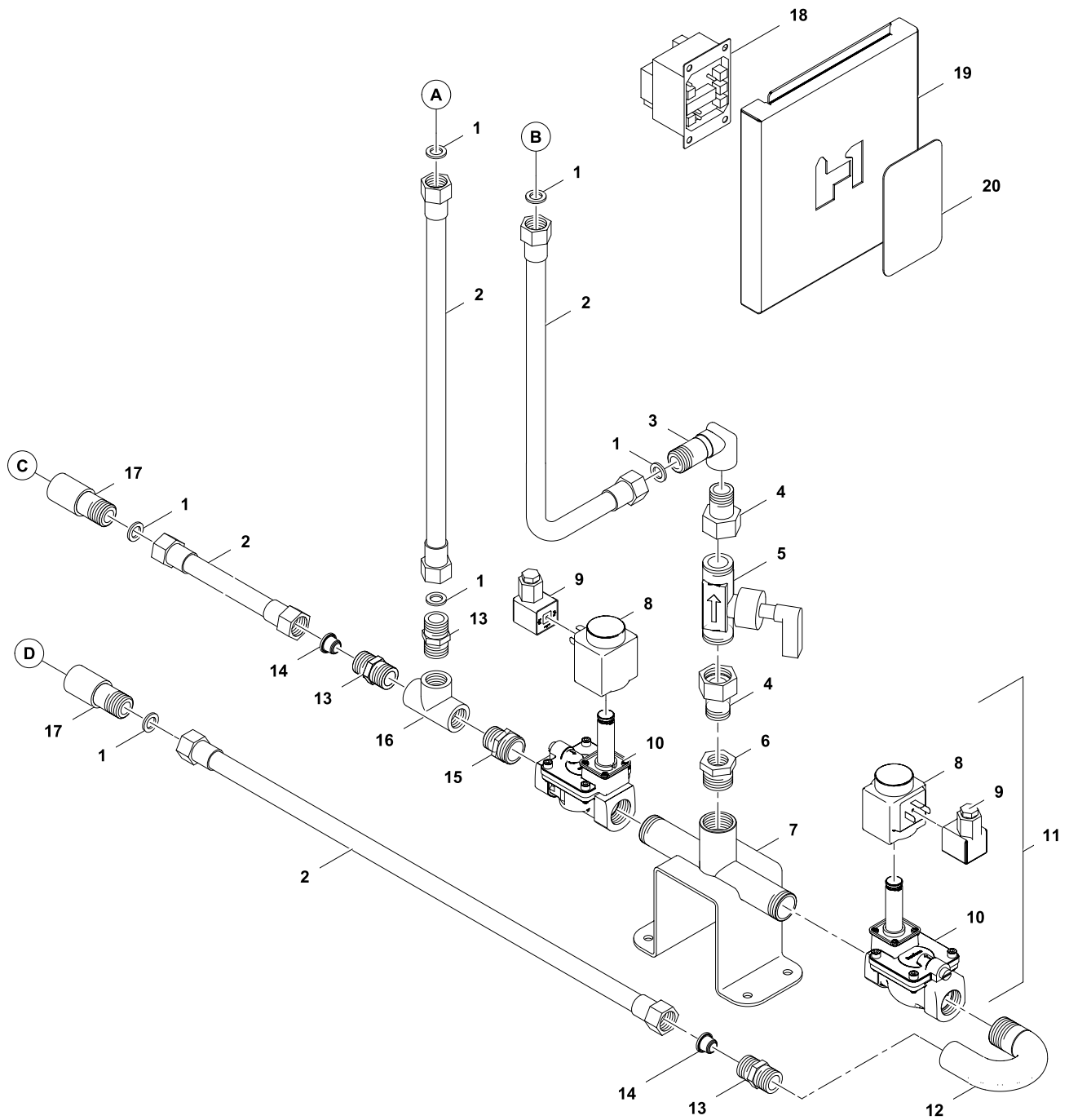
Page	Index
2	Full appliance
4	Mixer tap
6	Automatic water filling

Last Updates	Pages	Position
12/2015	all	
04/2017	2/3	
09/2017	1	ref: q, r, s, t, u, v
09/2017	3	12, 13

Valid from Ser. № 3101....







5	Alias	Code	Bezeichnung	Description	Ref.	Valid from Serial N°
1	712 044481.21	0G3610	Flachdichtung Ø18x11x2	Flat seal Ø18x11x2	e f i o p	
2	712 344893.04	0G7140	Panzerschlauch für WFA L600 G1/2"	Armored hose for WFA L600 G1/2"	e f i o p	
3	87.5164	0G7141	Winkel zu WFA	Angle connection for WFA	e f i o p	
4	1 101 3923	0G7142	Rohrverschraubung 9201 1/2"x3/4"	Screw fitting 9201 1/2"x3/4"	e f i o p	
5	76.9668.97	0G3702	Durchflussmesser WFA	Flow meter WFA	e f i o p	
6	75.7004.24	0G4739	Übergangsstück A3/4" - 11/2"	Fitting A3/4" - 11/2"	e f i o p	
7	82.6011	0G7143	Verteilerrohr-Support	Pipe support	e f i o p	
8	76.3511	0G5598	Spule	Coil	e f i o p	
9	76.4935	0K4978	Stecker Magnetventil	Plug for magnetic valve 3-pin	e f i o p	
10	76.3510	0G5597	2/2 Wegeventil	Magnetic valve	e f i o p	
11	76.3405	0G4526	2/2 Wegeventil 3/4" komplett	Magnetic valve complete	e f i o p	
12	76.3612	0G7144	Leitung KW	Pipe cold water	e f i o p	
13	1 116 1166	0G5518	Sechskantnippel	hex nipple	e f i o p	
14	1 701 2827	0G6842	Hutfilter 1/2-50/20 H12	Filter insert 1/2-50/20 H12	e f i o p	
15	1 117 1182	0K4574	Doppelnippel 1/2" / 3/4"	Double nipple 1/2" / 3/4"	e f i o p	
16	1 102 2435	0G7145	T-Stück G1/2"	Tee connection G1/2"	e f i o p	
17	87.5168	0G6646	WFA Adapter G1/2"	WFA adapter G1/2"	e f i o p	
A			Warmwasseranschluss MIBA	Hot water connection at mixer tap		
B			Kaltwasseranschluss MIBA	Cold water connection at mixer tap		
C			Zuleitung Warmwasser	Hot water inlet		
D			Zuleitung Kaltwasser	Cold water inlet		
18	86.9164	0G5039	Steuergerät	Control device	e f i o p	
19	82.1122	*	Blende Top für WFA	Panel for waterfill automation	e f i o p	
20	86.9165	0G6722	Bedienfolie	Foil	e f i o p	
	76.9672.03	0G7146	Kabel: X2/X2 WFA 2000mm	Cable: X2/X2 WFA 2000mm	e f i o p	
	76.9671.03		Kabel: Y1/X2 WFA 2000mm	Cable: Y1/X2 WFA 2000mm	e f i o p	

