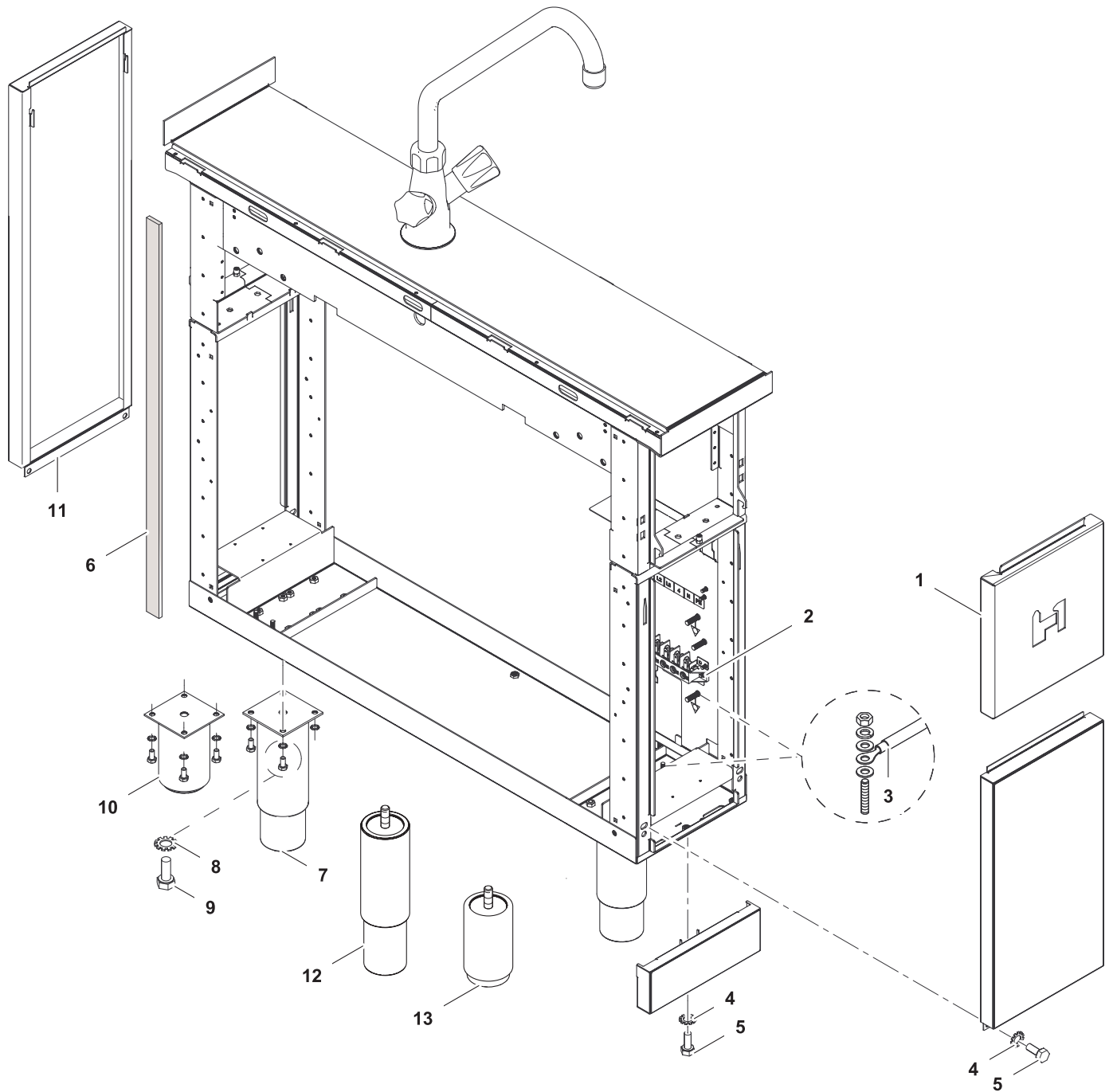
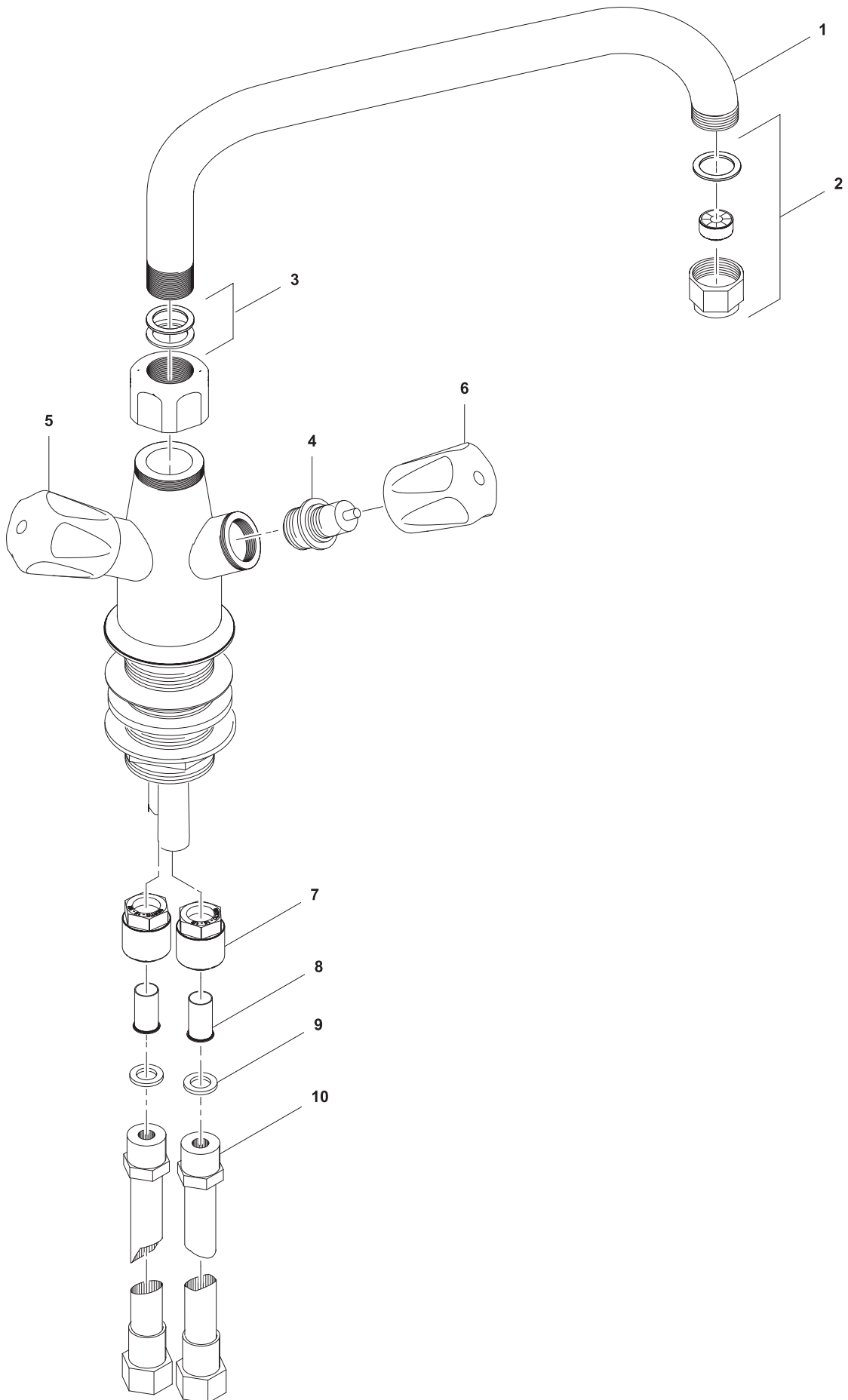


THERMALINE 80/85/90**DE MISCHBATTERIE-ELEMENT**
EN MIXER TAP UNIT

PNC	Factory Model	Ref.	Description
588386	MAEAGAB300	a	MIXER TAP, LEVER, 200X800X700
588387	MAEAGBB300	a	MIXER TAP, LEVER, C-BOARD, 200X800X700
588388	MAEBGAB300	b	MIXER TAP, KNOBS, 200X800X700
588389	MAEBGBB300	b	MIXER TAP, KNOBS, C-BOARD, 200X800X700
588390	MAEAHAB300	c	MIXER TAP, LEVER, 200X800X800
588391	MAEAHBB300	c	MIXER TAP, LEVER, C-BOARD, 200X800X800
588392	MAEBHAB300	d	MIXER TAP, KNOBS, 200X800X800
588393	MAEBHBB300	d	MIXER TAP, KNOBS, C-BOARD, 200X800X800
588098	MAEABAB000	q	MIXER TAP, LEVER, 200X800X250
588099	MAEABBB000	q	MIXER TAP, LEVER, C-BOARD, 200X800X250
588100	MAEBBAB000	r	MIXER TAP, KNOBS, 200X800X250
588101	MAEBBBB000	r	MIXER TAP, KNOBS, C-BOARD, 200X800X250
588172	MAMAGAB3BO	e	MIXER TAP, AUTOM. WATER FILLING, 200X800X700H
588173	MAMAGBB3BO	e	MIXER TAP, AUTOM. WATER FILLING, C-BOARD, 200X800X700
588266	MAMAHAB3BO	f	MIXER TAP, AUTOM. WATER FILLING, 200X800X800H
588267	MAMAHBB3BO	f	MIXER TAP, AUTOM. WATER FILLING, C-BOARD, 200X800X800
588558	MBEAGBB300	g	MIXER TAP, LEVER, C-BOARD, 200X850X700
588559	MBEBGBB300	h	MIXER TAP, KNOBS, C-BOARD, 200X850X700
588710	MBEABBB000	s	MIXER TAP, LEVER, C-BOARD, 200X850X250
588711	MBEBBBB000	t	MIXER TAP, KNOBS, C-BOARD, 200X850X250
588597	MBMAGBB3BO	i	MIXER TAP, AUTOM. WATER FILLING, C-BOARD, 200X850X700
589591	MCEAGAB300	k	MIXER TAP, LEVER, 200X900X700
589592	MCEAGBB300	k	MIXER TAP, LEVER, C-BOARD, 200X900X700
589593	MCEBGAB300	l	MIXER TAP, KNOBS, 200X900X700
589594	MCEBGBB300	l	MIXER TAP, KNOBS, C-BOARD, 200X900X700
589595	MCEAHAB300	m	MIXER TAP, LEVER, 200X900X800
589596	MCEAHBB300	m	MIXER TAP, LEVER, C-BOARD, 200X900X800
589597	MCEBHAB300	n	MIXER TAP, KNOBS, 200X900X800
589598	MCEBHBB300	n	MIXER TAP, KNOBS, C-BOARD, 200X900X800
589146	MCEABAB000	u	MIXER TAP, LEVER, 200X900X250
589147	MCEABBB000	u	MIXER TAP, LEVER, C-BOARD, 200X900X250
589148	MCEBBAB000	v	MIXER TAP, KNOBS, 200X900X250
589149	MCEBBBB000	v	MIXER TAP, KNOBS, C-BOARD, 200X900X250
589221	MCMAGAB3BO	o	MIXER TAP, AUTOM. WATER FILLING, 200X900X700H
589222	MCMAGBB3BO	o	MIXER TAP, AUTOM. WATER FILLING, C-BOARD, 200X900X700
589390	MCMAHAB3BO	p	MIXER TAP, AUTOM. WATER FILLING, 200X900X800H
589391	MCMAHBB3BO	p	MIXER TAP, AUTOM. WATER FILLING, C-BOARD, 200X900X800

Page	Index	Last Updates	Pages	Position
2	Full appliance	12/2015	all	
4	Mixer tap	04/2017	2/3	
6	Automatic water filling	09/2017	1	ref: q, r, s, t, u, v
		09/2017	3	12, 13
		11/2018	5	2
		11/2019	5 / 7	10 / 2





2	Alias	Code	Bezeichnung	Description	Ref.	Valid from Serial N°
	1 105 1257	OG2974	Kit Mischbatterie Klarco (Pos. 1-6)	Kit Mixer tap Klarco (pos. 1-6)	b d e f h i l n o p r t v	
1	62.6223.07	OS0959	Schwenkauslauf 3/4", 300x450mm	Swivel spout 3/4", 300x450mm		
2	1 105 1265	OG5273	Tropfschutz	Drip stop		
3	62.6223.02	OL0736	Dichtungsringe	Sealing rings		
4	62.6223.03	OL0450	Ventileinsatz	Valve insert		
5	62.6223.04	OL1041	Griff Heißwasser	Knob hot water	b d e f h i l n o p r t v	
6	62.6223.05	OL1040	Griff Kaltwasser	Knob cold water	b d e f h i l n o p r t v	
7	1 101 2075	OKX119	Anschluss G1/2"	Connection G1/2"	all types	
8	1 101 3797	OKE129	Stützhülse Ø15	Sleeve Ø15	all types	
9	712 044481.21	OG3610	Dichtung Ø18/11	Sealing Ø18/11	all types	
10	712 344893.02	OK5363	Panzerschlauch L1100 G1/2" / R1/2"	Armored hose L1100 G1/2" / R1/2"	all types	until 9441...
	87.7188.02	OG8754	Panzerschlauch L1100 G1/2" - I/A	Armored hose L1100 G1/2" - I/A	all types	9451...
	82.6628	OG7139	Mischbatterie mit Hebel Klarco	Mixer tap with lever Klarco	a c g k m q s u	
	1 201 1813	OG3817	Kleber LOCTIE 577	Glue LOCTITE 577	all types	

* Components on demand
* Teile auf Anfrage

3	Alias	Code	Bezeichnung	Description	Ref.	Valid from Serial N°
1	712 044481.21	OG3610	Flachdichtung Ø18x11x2	Flat seal Ø18x11x2	e f i o p	
2	712 344893.04	OG7140	Panzerschlauch für WFA L600 G1/2"	Armored hose for WFA L600 G1/2"	e f i o p	until 9441...
	87.7188.04	OG8756	Panzerschlauch für WFA L600 G1/2"	Armored hose for WFA L600 G1/2"	e f i o p	9451...
3	87.5164	OG7141	Winkel zu WFA	Angle connection for WFA	e f i o p	
4	1 101 3923	OG7142	Rohrverschraubung 9201 1/2"x3/4"	Screw fitting 9201 1/2"x3/4"	e f i o p	
5	76.9668.97	OG3702	Durchflussmesser WFA	Flow meter WFA	e f i o p	
6	75.7004.24	OG4739	Übergangsstück A3/4" - 11/2"	Fitting A3/4" - 11/2"	e f i o p	
7	82.6011	OG7143	Verteilerrohr-Support	Pipe support	e f i o p	
8	76.3511	OG5598	Spule	Coil	e f i o p	
9	76.4935	OK4978	Stecker Magnetventil	Plug for magnetic valve 3-pin	e f i o p	
10	76.3510	OG5597	2/2 Wegeventil	Magnetic valve	e f i o p	
11	76.3405	OG4526	2/2 Wegeventil 3/4" komplett	Magnetic valve complete	e f i o p	
12	76.3612	OG7144	Leitung KW	Pipe cold water	e f i o p	
13	1 116 1166	OG5518	Sechskantnippel	hex nipple	e f i o p	
14	1 701 2827	OG6842	Hutfilter 1/2-50/20 H12	Filter insert 1/2-50/20 H12	e f i o p	
15	1 117 1182	OK4574	Doppelnippel 1/2" / 3/4"	Double nipple 1/2" / 3/4"	e f i o p	
16	1 102 2435	OG7145	T-Stück G1/2"	Tee connection G1/2"	e f i o p	
17	87.5168	OG6646	WFA Adapter G1/2"	WFA adapter G1/2"	e f i o p	
A			Warmwasseranschluss MIBA	Hot water connection at mixer tap		
B			Kaltwasseranschluss MIBA	Cold water connection at mixer tap		
C			Zuleitung Warmwasser	Hot water inlet		
D			Zuleitung Kaltwasser	Cold water inlet		
18	86.9164	OG5039	Steuergerät	Control device	e f i o p	
19	82.1122	*	Blende Top für WFA	Panel for waterfill automation	e f i o p	
20	86.9165	OG6722	Bedienfolie	Foil	e f i o p	
	76.9672.03	OG7146	Kabel: X2/X2 WFA 2000mm	Cable: X2/X2 WFA 2000mm	e f i o p	
	76.9671.03		Kabel: Y1/X2 WFA 2000mm	Cable: Y1/X2 WFA 2000mm	e f i o p	

