

PROTHERMETIC**DE
EN****PBOT-E/R
PBOT-E/R****KIPPKOCHKESSEL, ELEKTRISCH, RUND
TILTING BOILING PAN, ELECTRIC, ROUND**

| Page | Baugruppe | Assembly group | Models |
|------|-------------------------|------------------------------|----------|
| 2 | Kessel | Kettle | PBOT-E/R |
| 4 | Magnetschalter | Solenoid swith | PBOT-R |
| 5 | Auslaufhahn | Drain tap | PBOT-E/R |
| 6 | Deckel | Lid | PBOT-E/R |
| 8 | Rührwerk | Stirring system | PBOT-R |
| 11 | Füsse | Feet | PBOT-E/R |
| 12 | Achse | Shaft | PBOT-E/R |
| 14 | Schalterfront Steuerung | Switch panel control system | PBOT-E/R |
| 16 | Schalterfront Kippung | Switch panel tilting system | PBOT-E/R |
| 17 | Kippung | Tilting system | PBOT-E/R |
| 18 | Mischbatterie | Mixer tap | PBOT-E/R |
| 20 | Spray Gun | Spray gun | PBOT-E/R |
| 22 | Entlüftung | Dearation | PBOT-E/R |
| 24 | Dampferzeuger | Steam generator | PBOT-E/R |
| 26 | Steuerung | Control system | PBOT-E/R |
| 28 | Steuerung Kippmotor | Control system tilting motor | PBOT-E/R |

Valid from Ser. № 3401....

Last Updates

Page

Pos.

04/2016

all

10/2016

9

02/2017

5

11/2017

25

18, 20, 22

11/2017

13

15 - cables

11/2017

15

8

06/2018

8, 9

19, 20, 21, 22, 23

10/2018

2 / 3

drawing / 7, 8

01/2019

16 / 21

9 / from 6 to 13, 19

02/2019

26 / 27

2 / 33, 34, 35

03/2019

7

3b

04/2019

3 / 19 / 23 / 25

1, 2 / 19 / 23, 33 / 8, 14

06/2019

15

10

11/2019

19 / 21

18 / 2

05/2020

3 / 4 / 7

3, 7 / 9 / 1

04/2021

27

2

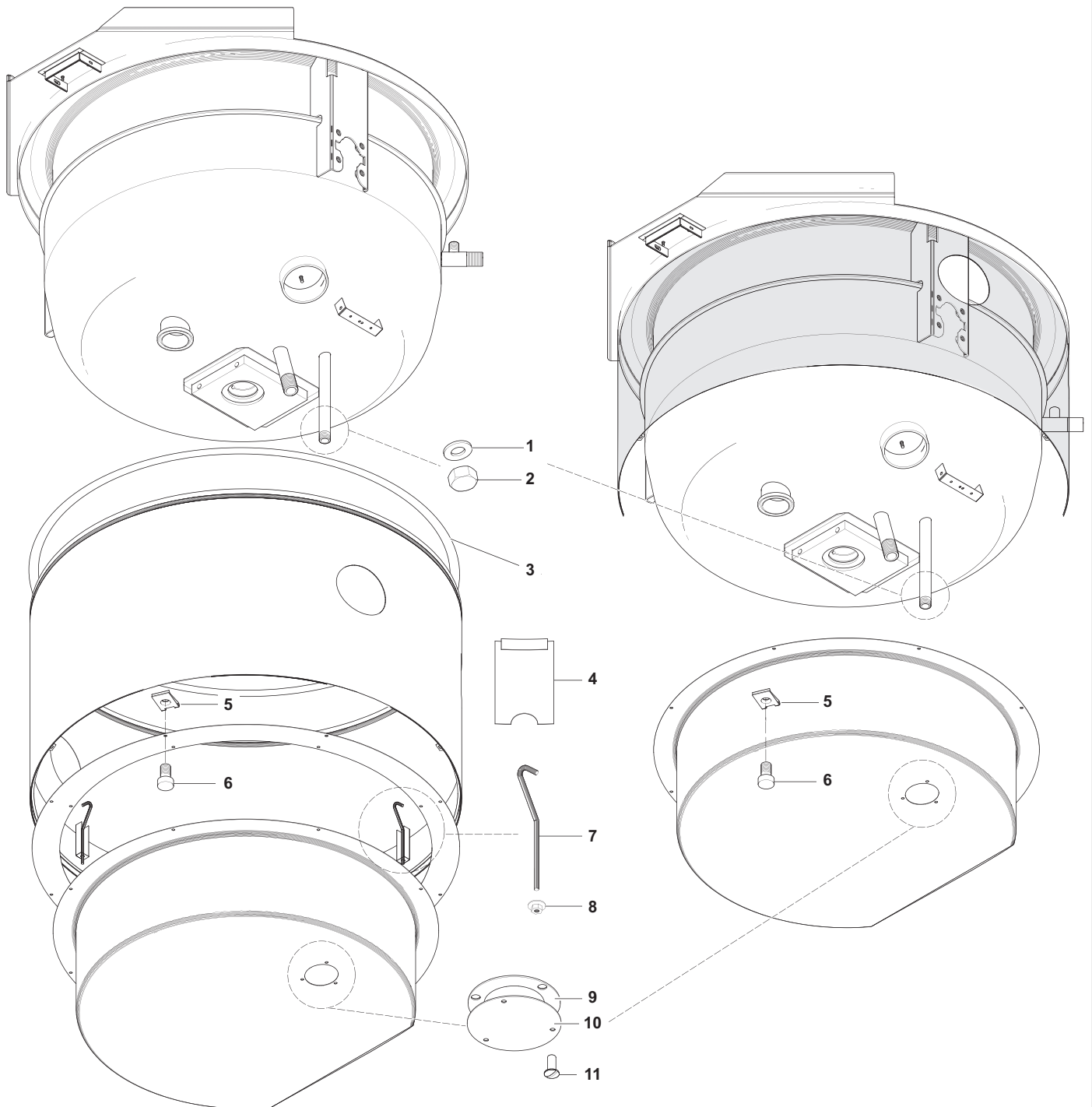
05/2021

7

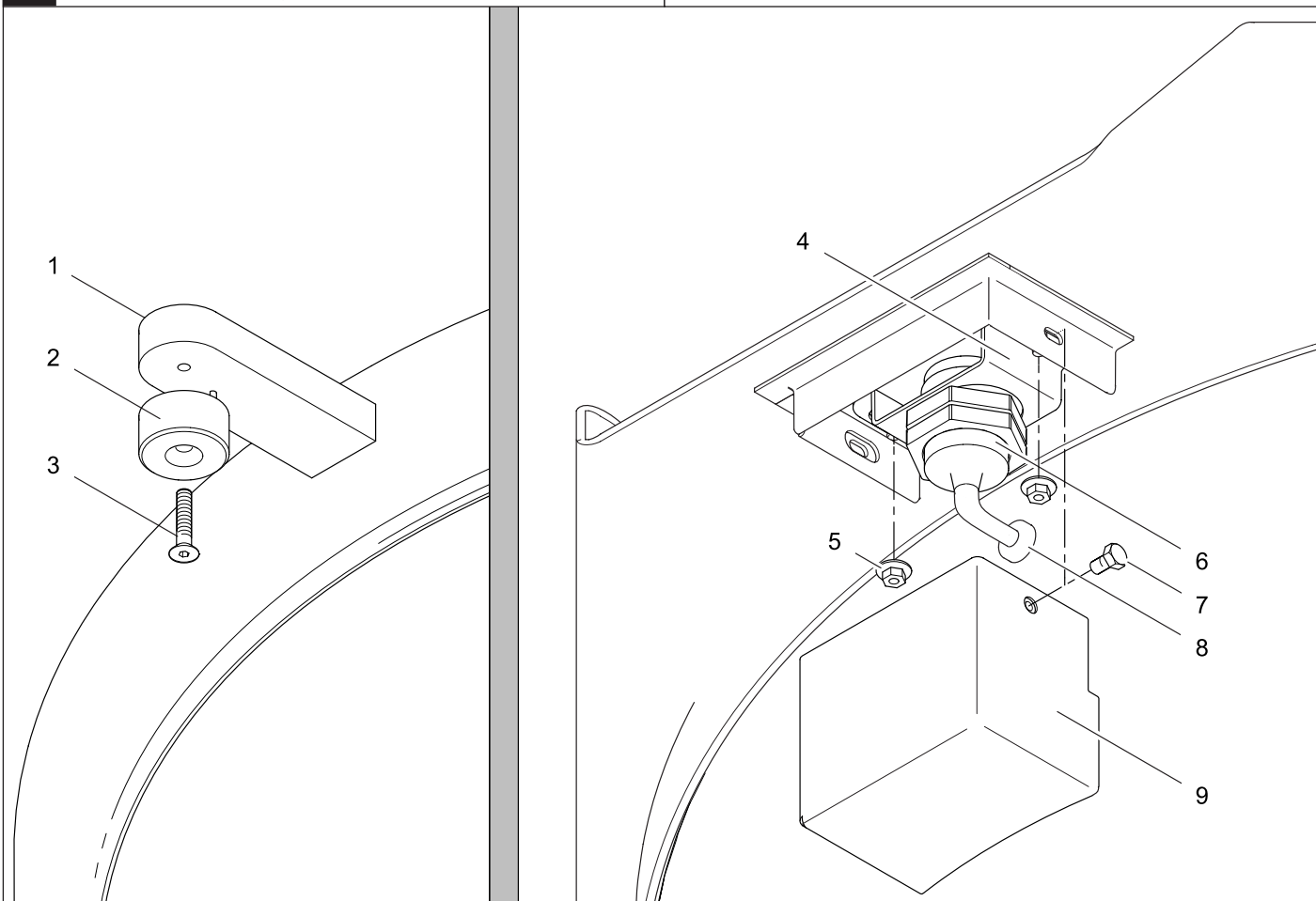
3b

PBOT 200L/300L/400L/500L

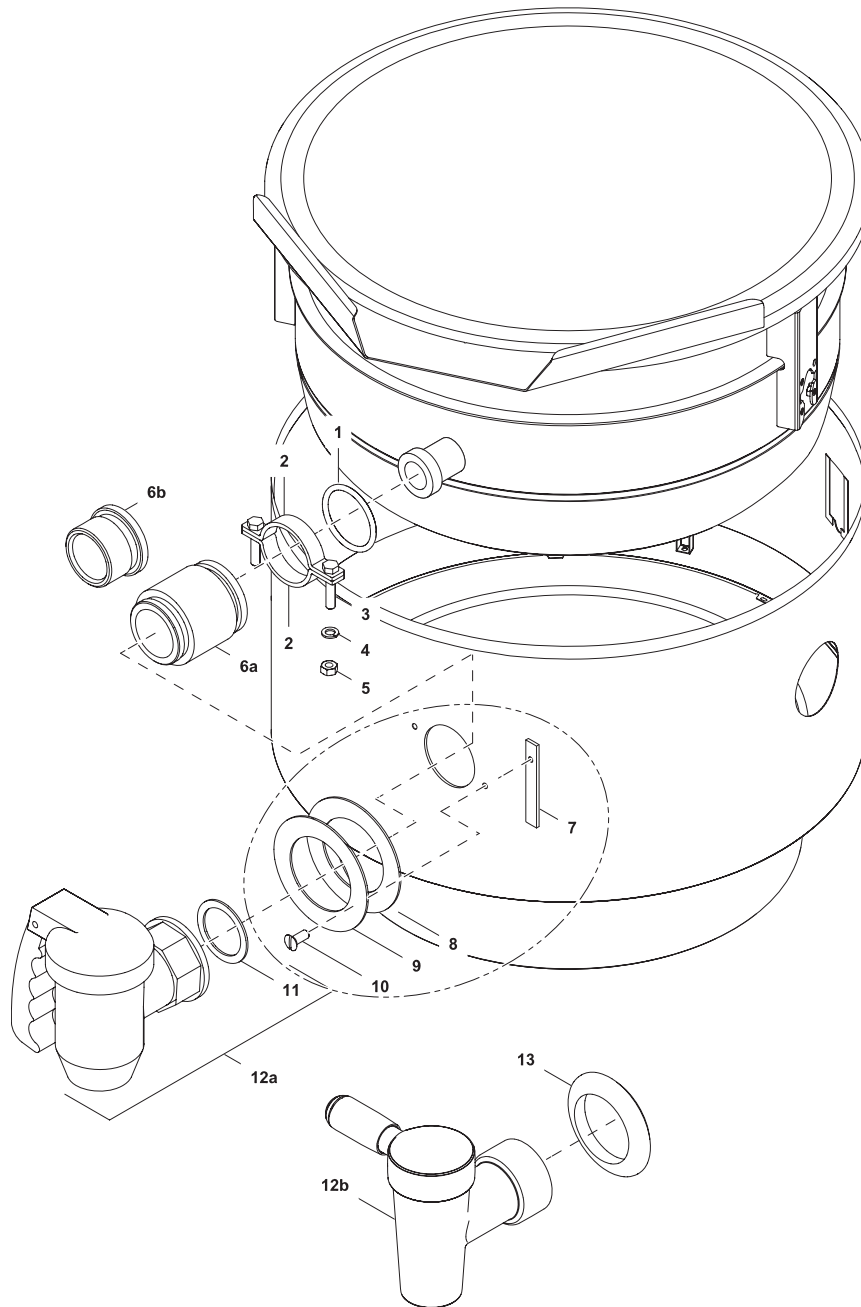
PBOT 60L/100L/150L



| 1 | Alias | Code | Bezeichnung | Description | Ref. | Valid from Serial N° |
|----|---------------|--------|--------------------------|----------------------|-------------------|----------------------|
| 1 | 712 044481.21 | OG3610 | Dichtung | Joint | | until 9051... |
| | 872429 | OG8524 | Gasket 18x11x2 | Joint | | 9061... |
| 2 | 712 344853.09 | OKX151 | Kappe | Cap | | until 9051... |
| | 872430 | OG8648 | Gewindekappe | Threaded cap | | 9061... |
| 3 | 712 044487 | 0KE110 | Dichtungsschlauch 3m | Sealing hose 3m | 60L-200L | until 9511.. |
| | | | Dichtungsschlauch 4m | Sealing hose 4m | 300-500L | until 9511.. |
| 4 | 76.4080 | OG4067 | Deckel Außenmantel | Mantle cover | | |
| 5 | 712 044121.01 | OG3647 | Blechmutter | Sheet nut | | |
| 6 | 1 701 7507 | OG2603 | Blechschaube 4.8x17 | sheet screw | | |
| | 1 701 7535 | OK4631 | Blechschaube 4.8x9.5 | sheet screw | | |
| 7 | 76.2029.01 | OG3215 | Haken | Hook | 60L | until 8371... |
| | 76.2029.11 | OG6827 | Haken | Hook | 60L | until 8371... |
| | 76.2029.02 | OG6828 | Haken | Hook | 100L | until 8371... |
| | 76.2029.12 | OG6829 | Haken | Hook | 100L | until 8371... |
| | 76.2029.03 | OG3128 | Haken | Hook | 300-500L | until 9511.. |
| | 76.2029.13 | OG6830 | Haken | Hook | 300-500L | until 9511.. |
| | 76.2029.04 | OG6831 | Haken | Hook | 200L | until 9511.. |
| | 76.2029.14 | OG6832 | Haken | Hook | 200L | until 9511.. |
| 8 | 712 044120.06 | OG3997 | Kepsmutter M6 | Keps nut M6 | from 200L to 500L | |
| 9 | 71.1234 | OG3175 | Flachdichtung | Flat seal | | |
| 10 | 76.4194 | OG3216 | Deckel | Cover | | |
| 11 | 10 3179 | OG4216 | Linsenkopfschraube M5x12 | Lenshead screw M5x12 | | |

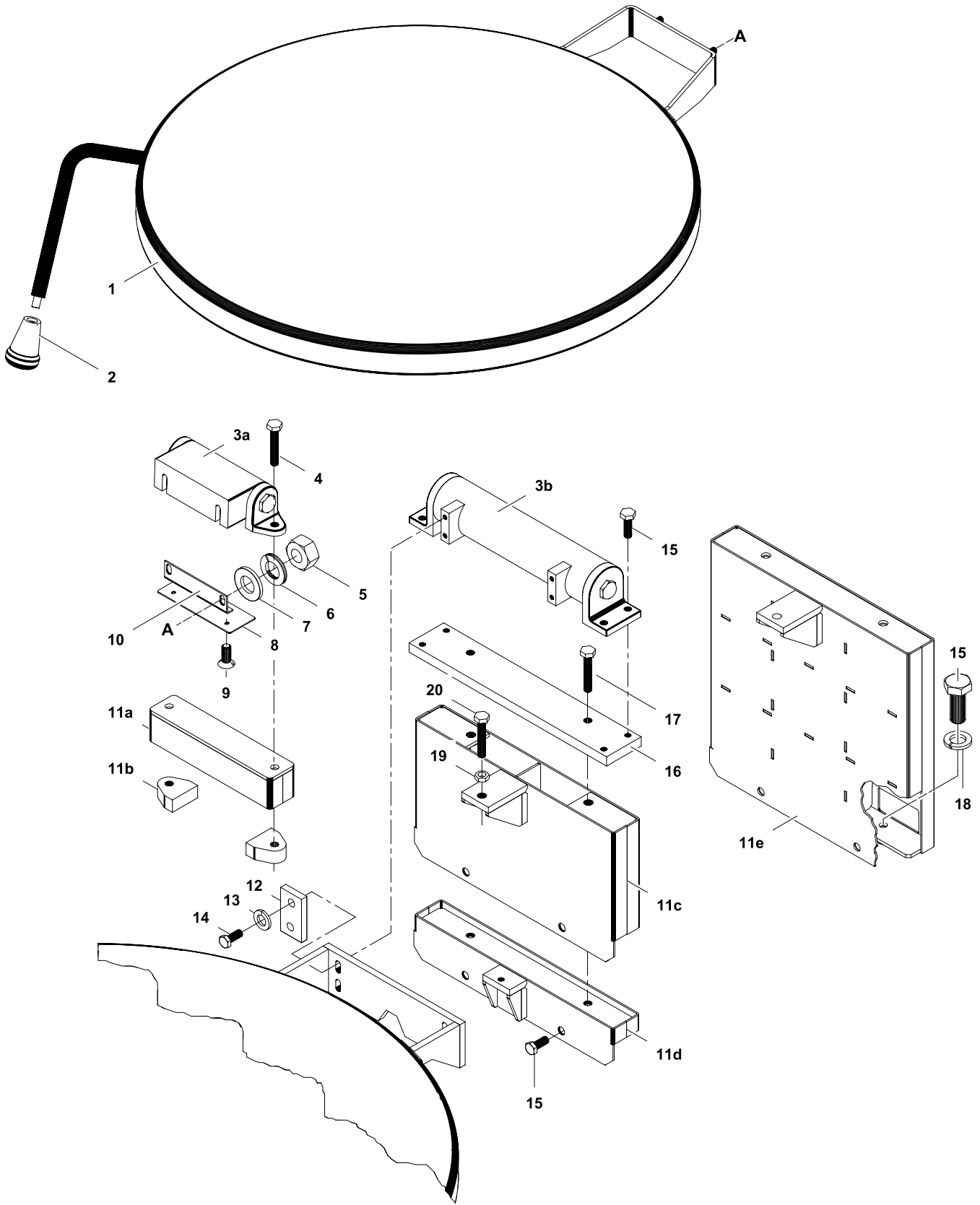


| 2 | Alias | Code | Bezeichnung | Description | Ref. | Valid from Serial N° |
|---|---------------|--------|----------------------------|------------------------|------------------|----------------------|
| 1 | 76.4171.11 | * | Deckel RW 60L | Lid Stirrer 60L | PBOT06R | |
| | 76.4171.13 | * | Deckel RW 100L | Lid Stirrer 100L | PBOT10R | |
| | 76.4171.14 | * | Deckel RW 150L | Lid Stirrer 150L | PBOT15R | |
| | 76.4176.11 | * | Deckel RW 200L | Lid Stirrer 200L | PBOT20R | |
| | 76.4176.12 | * | Deckel RW 300L | Lid Stirrer 300L | PBOT30R | |
| | 76.4176.13 | * | Deckel RW 400L | Lid Stirrer 400L | PBOT40R | |
| | 76.4176.14 | * | Deckel RW 500L | Lid Stirrer 500L | PBOT50R | |
| 2 | 76.9345.02 | 0U0179 | Magneteinsatz | Magnet insert | PBOT-R | |
| 3 | 1 701 1072 | 0G6833 | Senkschraube M5x25 | Countersunk bolt | PBOT-R | |
| 4 | 76.4597 | * | Halter Sicherheitsschalter | Support safety switch | PBOT-R | |
| 5 | 712 044120.04 | 0G4918 | Kepsmutter M4 | Keps nut M4 | PBOT-R | |
| 6 | 76.9345.01 | 0U0178 | Magnetschutzschalter | Solenoid switch | PBOT-R | |
| 7 | 1 701 2503 | 0G5490 | Sechskantscharube M4x8 | Hex bolt M4x8 | PBOT-R | |
| 8 | 1 103 1594 | 0G3780 | Kabeltülle Ø10/Ø6x12 | Cable sleeve Ø10/Ø6x12 | PBOT-R | |
| 9 | 76.4600 | * | Abdeckung 60L-150L | Cover 60L-150L | PBOT-R 60L-150L | until 8371 |
| | 87.2390.01 | * | Abdeckung 60L-150L | Cover 60L-150L | PBOT-R 60L-150L | 8381 |
| | 76.4601 | * | Abdeckung 200L-500L | Cover 200L-500L | PBOT-R 200L-500L | until 9511 |
| | 87.2390.02 | * | Abdeckung 200L-500L | Cover 200L-500L | PBOT-R 200L-500L | 9521 |

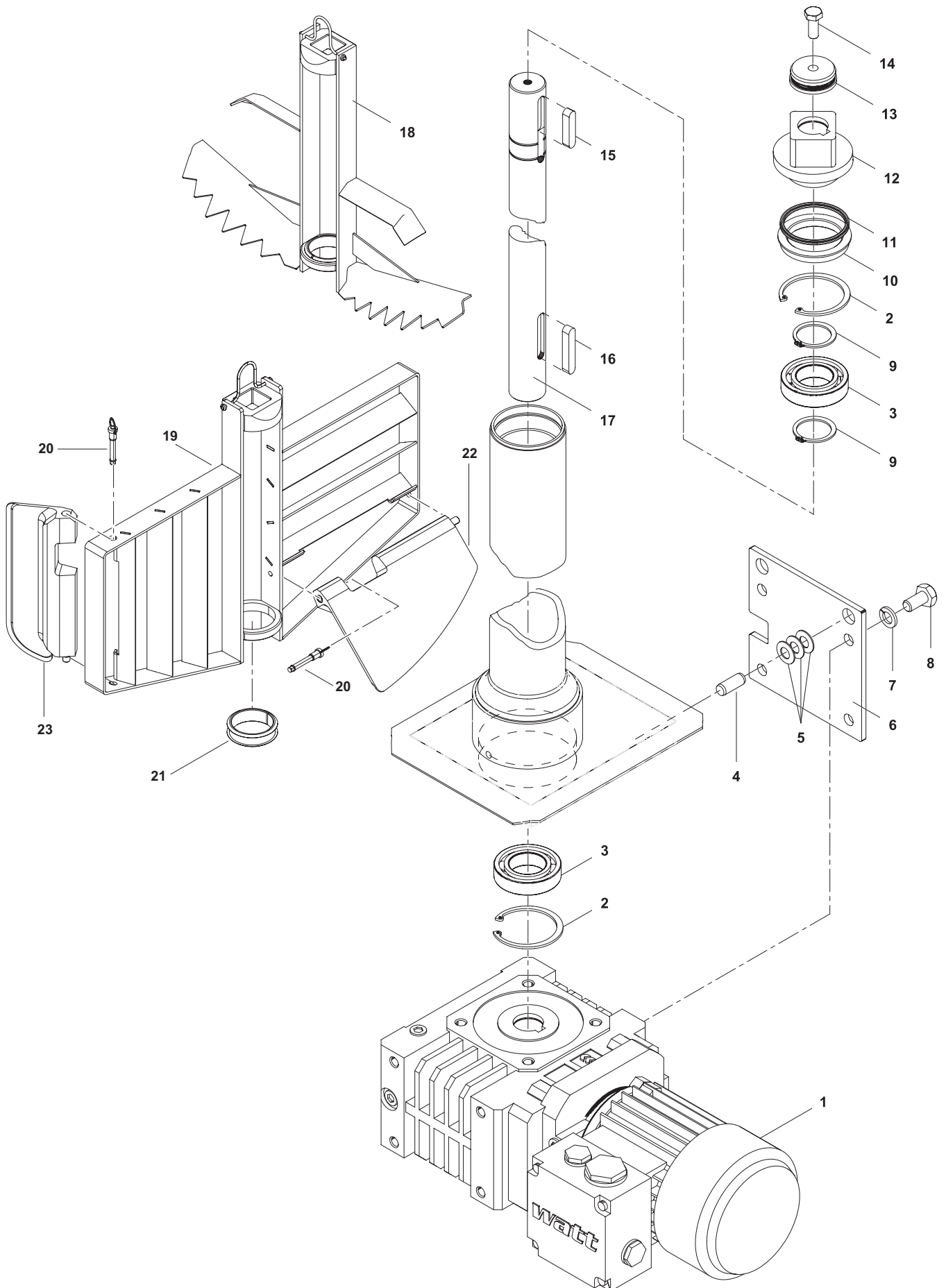


| 3 | Alias | Code | Bezeichnung | Description | Ref. | Valid from Serial N° |
|-----|---------------|--------|--|---|------|----------------------|
| 1 | 713 042130 | OK5557 | Dichtungsring | Sealing ring | | |
| 2 | 713 842019 | OG3855 | Klammer mit Schrauben (1/2 Klammer) | Bride with screws (1/2 bride) | | |
| 3 | 713 842019.96 | OG6837 | Klammer (1/2 Klammer) | Bride (1/2 bride) | | |
| 4 | 1 701 5008 | OKL250 | Federring M8 | Spring washer M8 | | |
| 5 | 1 701 3044 | OK4612 | Sechskantmutter M8 | Hex nut M8 | | |
| 6a | 76.3194 | OG2540 | Kupplungsstutzen 2" RUBINETTERIE | Female connector 2" RUBINETTERIE | | |
| 6b | 713 042131 | OK8856 | Kupplungsstutzen 2" ECHTERMANN | Female connector 2" ECHTERMANN | | |
| 7 | 71.1235 | OG4166 | Gewindeplatte M4 | Threaded plate M4 | | |
| 8 | 71.1234 | OG3175 | Flachdichtung Ø110/72/2 | Flat seal Ø110/72/2 | | |
| 9 | 71.1233 | OG4167 | Hahnrosette | Round anchor plate | | |
| 10 | 1 701 1504 | OKX205 | Schraube M4x8 | Screw M4x8 | | |
| 11 | 1 101 2191 | 004986 | Dichtungsring Ø60 ø47x2 RUBINETTERIE | Sealing ring Ø60 ø47x2 RUBINETTERIE | | |
| 12a | 1 117 1258 | OG5144 | Sicherheitsauslaufhahn 2" RUBINETTERIE | Drain cock 2" + safety valve RUBINETTERIE | | |
| 12b | 1 117 1117 | OH6425 | Auslaufhahn ECHTERMANN 6722.80 2" | Drain cock ECHTERMANN 6722.80 2" | | |
| | 87.7055 | OG6498 | Auslaufhahn ECHTERMANN 6726.82 2" | Drain cock ECHTERMANN 6726.82 2" | | |
| 13 | 87.7122 | | Dichtmanschette Auslaufhahn | Sealing gaiter drain cock | | 7031... |

* Components on demand
* Teile auf Anfrage



| 4 | Alias | Code | Bezeichnung | Description | Ref. | Valid from Serial N° |
|-----|------------|--------|----------------------------------|-------------------------------------|---------------------|-----------------------------------|
| 1 | 76.4171.01 | | Deckel 60L | Lid 60L | PBOT06E | until 8371 |
| | 87.2389.01 | OG5737 | Deckel 60L | Lid 60L | PBOT06E | 8381 |
| | 76.4506.01 | * | Deckel 60L/ 800mm Gerätetiefe | Lid 60L/ 800mm appliance depth | PBOT06E; D=800 | |
| | 76.4171.03 | | Deckel 100L | Lid 100L | PBOT10E | until 8371 |
| | 87.2389.03 | OG3054 | Deckel 100L | Lid 100L | PBOT10E | 8381 |
| | 76.4171.04 | * | Deckel 150L | Lid 150L | PBOT15E | until 8371 |
| | 87.2389.04 | * | Deckel 150L | Lid 150L | PBOT15E | 8381 |
| | 76.4176.01 | | Deckel 200L | Lid 200L | PBOT20E | until 9511 |
| | 87.2432.01 | OKV478 | Deckel 200L | Lid 200L | PBOT20E | 9521 |
| | 76.4176.02 | | Deckel 300L | Lid 300L | PBOT30E | until 9511 |
| | 87.2432.02 | OG3781 | Deckel 300L/400L | Lid 300L/400L | PBOT30E/40E | 9521 |
| | 76.4176.03 | OKX130 | Deckel 400L | Lid 400L | PBOT40E | until 9511 |
| | 76.4171.11 | * | Deckel RW 60L | Lid Stirrer 60L | PBOT06R | until 8371 |
| | 87.2389.11 | * | Deckel RW 60L | Lid Stirrer 60L | PBOT06R | 8381 |
| | 76.4171.13 | * | Deckel RW 100L | Lid Stirrer 100L | PBOT10R | until 8371 |
| | 87.2389.13 | * | Deckel RW 100L | Lid Stirrer 100L | PBOT10R | 8381 |
| | 76.4171.14 | * | Deckel RW 150L | Lid Stirrer 150L | PBOT15R | until 8371 |
| | 87.2389.14 | * | Deckel RW 150L | Lid Stirrer 150L | PBOT15R | 8381 |
| | 76.4176.11 | * | Deckel RW 200L | Lid Stirrer 200L | PBOT20R | until 9511 |
| | 87.2432.11 | * | Deckel RW 200L | Lid Stirrer 200L | PBOT20R | 9521 |
| | 76.4176.12 | * | Deckel RW 300L | Lid Stirrer 300L | PBOT30R | until 9511 |
| | 87.2432.12 | * | Deckel RW 300L/400L | Lid Stirrer 300L/400L | PBOT30R/40R | 9521 |
| | 76.4176.13 | * | Deckel RW 400L | Lid Stirrer 400L | PBOT40R | until 9511 |
| | 76.4176.14 | * | Deckel RW 500L | Lid Stirrer 500L | PBOT50R | until 9511 |
| | 87.2432.14 | * | Deckel RW 500L | Lid Stirrer 500L | PBOT50R | 9521 |
| 2 | 86.3253 | OG6631 | Griff Deckel | Handle lid | | |
| 3a | 70.0750.05 | OK5242 | Drehgelenk | Pivot joint | 60L | |
| | 70.0750.06 | OK5244 | Drehgelenk | Pivot joint | 100L/150L | |
| 3b | 71.0454.01 | OK5250 | Drehgelenk | Pivot joint | 200L | |
| | 71.0454.04 | OG8579 | Drehgelenk | Pivot joint | 300L/400L/500L | ref. Tech. Bulletin CHG2019-06 |
| 4 | 1 701 2545 | OKI475 | Sechskantschraube M10 x 50 | Hex bolt M10 x 50 | 60L/100L | |
| | 1 701 2609 | OG6835 | Sechskantschraube M10 x 80 | Hex bolt M10 x 80 | 150L | |
| 5 | 1 701 3044 | OK4612 | Sechskantmutter M8 | Hex nut M8 | 60L/100L/150L | |
| 6 | 1 701 5008 | OKL250 | Federring M8 | Spring washer M8 | 60L/100L/150L | |
| 7 | 1 701 3513 | OG6088 | Unterlegscheibe 8,4 x 7,0 x 1,6 | Washer 8,4 x 7,0 x 1,6 | 60L/100L/150L | |
| 8 | 70.0765.01 | OKL252 | Abdeckblech Drehgelenk | Cover plate for pivot joint | 60L/100L/150L | |
| 9 | 1 701 1541 | OG3674 | Becherschraube M4 x 10 | Slotted bolt M4 x 10 | 60L/100L/150L | |
| 10 | 70.0764 | OKL251 | Winkel zu Drehgelenk | Angle for pivot joint | 60L/100L/150L | |
| 11a | 87.2067 | * | Ständer zu Drehgelenk 150L | Support for pivot joint 150L | 150L | |
| 11b | 87.2174 | * | Unterlage zu Drehgelenk 60L/100L | Base plate for pivot joint 60L/100L | 60L/100L | |
| 11c | 76.2022.02 | * | Ständer zu Drehgelenk 400L | Support for pivot joint 400L | 400L | |
| 11d | 76.2022.01 | * | Ständer zu Drehgelenk 300L | Support for pivot joint 300L | 300L | |
| 11e | 76.2504 | * | Ständer zu Drehgelenk 500L | Support for pivot joint 500L | 500L | |
| 12 | 71.0455 | OKL255 | Unterlage | Base plate | 200L/300L/400L/500L | |
| 13 | 1 701 5008 | OKL250 | Federring M8 | Spring washer M8 | 200L/300L/400L/500L | |
| 14 | 1 701 2616 | OKT918 | Sechskantschraube M8 x 25 | Hex bolt M8 x 25 | 200L/300L/400L/500L | |
| 15 | 1 701 2541 | OK4600 | Sechskantschraube M10 x 25 | Hex bolt M10 x 25 | 200L/300L/400L/500L | |
| 16 | 71.0454.03 | OKL256 | Verbindungsplatte | Connection plate | 200L/300L/400L/500L | |
| 17 | 1 701 2543 | OK4601 | Sechskantschraube M10 x 35 | Hex bolt M10 x 35 | 200L/400L | |
| | 1 101 8188 | OG6836 | Sechskantschraube M10 x 60 | Hex bolt M10 x 60 | 300L | |
| 18 | 1 701 5040 | OK4616 | Federring M10 | Spring washer M10 | 500L | |
| 19 | 1 701 3062 | OG6837 | Sechskantmutter M12 | Hex nut M12 | 300L/400L | |
| 20 | 1 701 2549 | OG6849 | Sechskantschraube M12 X 35 | Hex bolt M12 x 35 | 300L/400L | |

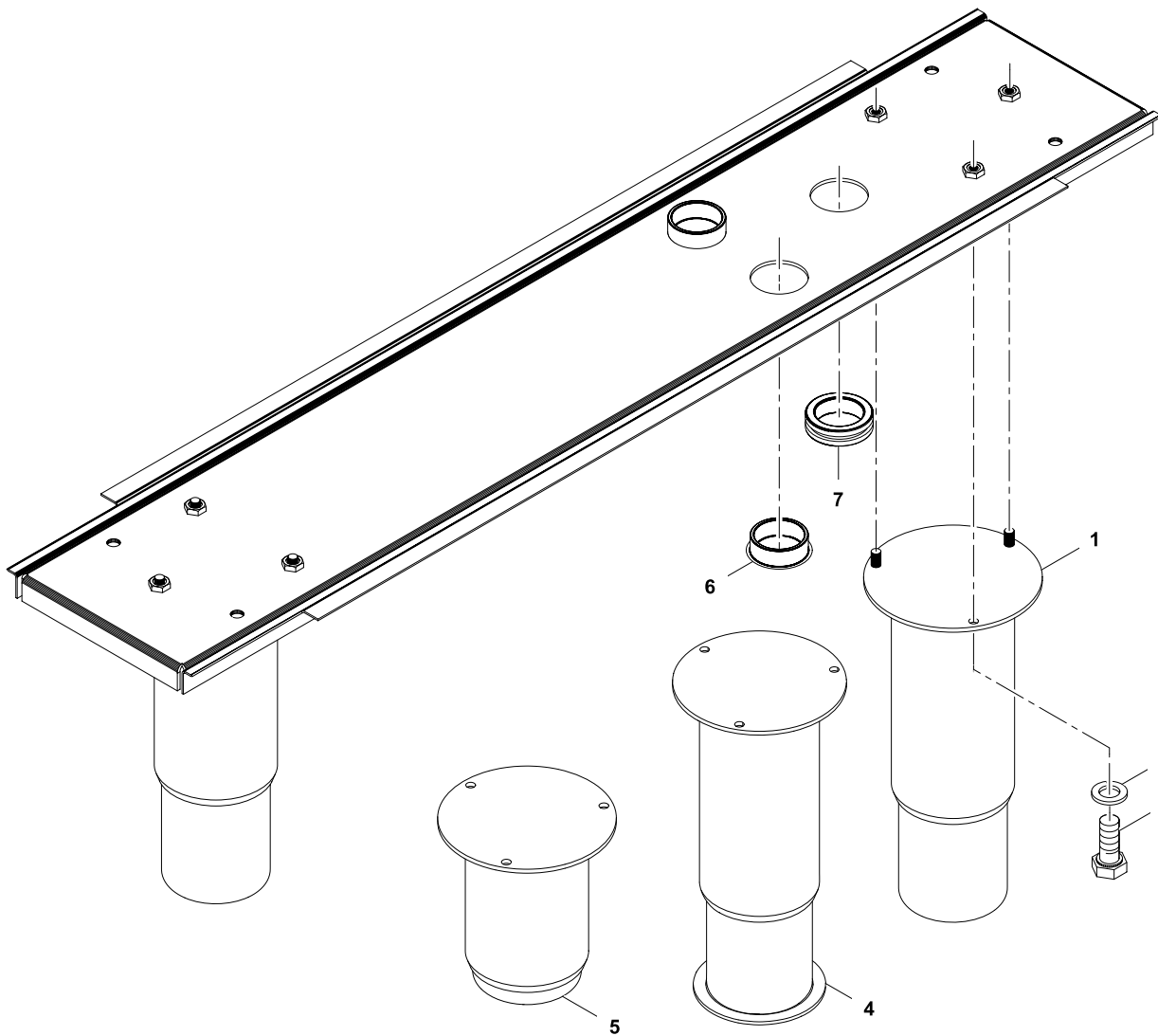


| 5 | Alias | Code | Bezeichnung | Description | Ref. | Valid from Serial N° |
|----|------------|--------|--|--------------------------------------|------------|----------------------|
| 1 | 76.3046.01 | 0G2112 | Getriebemotor P=0.25kW | Gear motor P=0.25kW | PBOT06R | |
| | 76.3047.01 | 0G2113 | Getriebemotor P=0.37kW | Gear motor P=0.37kW | PBOT10-50R | |
| | 87.7131 | 0G8001 | Getriebemotor P=3.8kW (variable speed) | Gear motor: P=3.8kW (variable speed) | PBOT15-30W | |
| 2 | 70.0809.03 | 0K6217 | Sicherungsring Ø55 | Circlip ring Ø55 | | |
| 3 | 70.0808.03 | 0K5259 | Rillenkugellager 30x55x13 | Grooved ball bearing 30x55x13 | | |
| 4 | 1 701 7095 | 0G3671 | Zylinderstift Ø8x25 | Dowel pin Ø8x25 | PBOT06R | |
| | 1 701 7096 | 0G3275 | Zylinderstift Ø10x25 | Dowel pin Ø20/Ø8.2x0.9 | PBOT10-50R | |
| 5 | 1 201 1931 | 0G3492 | Tellerfeder Ø20/Ø8.2x0.9 | Belleville washer Ø20/Ø8.2x0.9 | PBOT06R | |
| | 1 201 1932 | 0G3276 | Tellerfeder Ø20/Ø10.2x1 | Belleville washer Ø20/Ø10.2x1 | PBOT10-50R | |
| 6 | 76.4179 | 0G3665 | Platte Motorbefestigung | Motor support | PBOT06R | |
| | 76.4205 | 0G3773 | Platte Motorbefestigung | Motor support | PBOT10-50R | |
| | 87.2287 | | Platte Motorbefestigung | Motor support | PBOT15-30W | |
| 7 | 1 701 5008 | 0KL250 | Federring M8 | Spring washer M8 | PBOT06R | |
| | 1 701 5040 | 0K4616 | Federring M10 | Spring washer M10 | PBOT10-50R | |
| 8 | 1 701 2525 | 0K4599 | Sechskantschraube M8x16 | Hex bolt M8x16 | PBOT06R | |
| | 1 701 1565 | 0G6838 | Sechskantschraube M10x20 | Hex bolt M10x20 | PBOT10-50R | |
| 9 | 70.0810.02 | 0K4547 | Sicherungsring Ø30 | Circlip ring Ø30 | | |
| 10 | 76.4010 | 0K5587 | Dichtungsring Ø60/45x8 | Sealing ring Ø60/45x8 | PBOT06-40R | |
| | 86.2079 | 0G5125 | Dichtungsring | Sealing ring | PBOT50R | |
| 11 | 1 201 1933 | 0KG261 | Dichtungsring Ø50.4x3.53 | Sealing ring Ø50.4x3.53 | PBOT06-40R | |
| | 1 201 2084 | * | Radial Wellendichtung | | PBOT50R | |
| 12 | 76.4009 | 0G6013 | Wellenzapfen | Journal | PBOT06-40R | |
| | 86.2078 | 0G5121 | Wellenzapfen | Journal | PBOT50R | |
| 13 | 76.4008 | 0K5588 | Wellendeckel | Shaft end cap | | |
| 14 | 1 701 2570 | 0G5820 | Sechskantschraube M8x20 | Hex bolt M8x20 | | |
| 15 | 70.0820.04 | 0KX276 | Passfeder 8x7x45 | Feather key 8x7x45 | PBOT06-40R | |
| 16 | 70.0820.02 | 0K6227 | Passfeder 8x7x36 | Feather key 8x7x36 | PBOT06-50R | |
| | 76.3572 | * | Passfeder 8x7x80 | Feather key 8x7x80 | PBOT50R | |
| 17 | 76.4669.03 | 0G4465 | Welle Rührwerk 60L | Shaft stirrer 60L | PBOT06R | |
| | 76.4669.05 | 0G4027 | Welle Rührwerk 100L | Shaft stirrer 100L | PBOT10R | |
| | 76.4669.07 | 0KV455 | Welle Rührwerk 150L | Shaft stirrer 150L | PBOT15R | |
| | 76.4669.08 | 0G4180 | Welle Rührwerk 200L | Shaft stirrer 200L | PBOT20R | |
| | 76.4669.09 | 0G4008 | Welle Rührwerk 300L | Shaft stirrer 300L | PBOT30R | |
| | 76.4669.10 | 0G4390 | Welle Rührwerk 400L | Shaft stirrer 400L | PBOT40R | |
| | 76.2495 | 0G7882 | Welle Rührwerk 500L | Shaft stirrer 500L | PBOT50R | |
| 18 | 87.2374.06 | | Ankerrührer 150L | Anchor stirrer 150L | PBOT15W | |
| | 87.2374.07 | | Ankerrührer 200L | Anchor stirrer 200L | PBOT20W | |
| | 87.2374.08 | | Ankerrührer 300L | Anchor stirrer 300L | PBOT30W | |
| | 1 201 1547 | 0K4527 | Kleber Loctite 243 (50mL) | Glue Loctite 243 (50mL) | | |
| | 1 201 1937 | 0G4569 | Klüber UH1 84-201 Schmierpaste (600g) | Klüber UH1 84-201 lubrication (600g) | | |
| | 76.9123 | 0G5919 | Kabel: Thermorelais - Motor | Cable: thermal relay - motor | | |
| 19 | 87.7130.03 | 0G8347 | Giterrührer Ohne Abstreifer | Stirrer without scrapers | PBOT06 | 8291... |
| | 87.7130.04 | 0G8348 | Giterrührer Ohne Abstreifer | Stirrer without scrapers | PBOT10 | 8291... |
| | 87.7130.05 | 0G8349 | Giterrührer Ohne Abstreifer | Stirrer without scrapers | PBOX15 | 8291... |
| | 87.7130.06 | 0G8350 | Giterrührer Ohne Abstreifer | Stirrer without scrapers | PBOT20 | 8291... |
| | 87.7130.07 | 0G8351 | Giterrührer Ohne Abstreifer | Stirrer without scrapers | PBOT30 | 8291... |
| | 87.7130.08 | 0G8352 | Giterrührer Ohne Abstreifer | Stirrer without scrapers | PBOT40 | 8291... |
| | 87.7130.09 | 0G8353 | Giterrührer Ohne Abstreifer | Stirrer without scrapers | PBOT50 | 8291... |
| | 76.0240.02 | | Giterrührer Ohne Abstreifer UL | Stirrer without scrapers UL | BOT100 | Until 8281... |
| | 76.0240.03 | | Giterrührer Ohne Abstreifer UL | Stirrer without scrapers UL | BOT150 | Until 8281... |
| | 76.0240.04 | | Giterrührer Ohne Abstreifer UL | Stirrer without scrapers UL | BOT200 | Until 8281... |
| | 76.0240.05 | | Giterrührer Ohne Abstreifer UL | Stirrer without scrapers UL | BOT300 | Until 8281... |
| 20 | 1 701 2789 | 0G5041 | Kugelsperrbolzen | Lock pin | | |
| 21 | 76.0246 | 0G5766 | Lagerbüchse | Bearing bush | | |
| 22 | 87.0249.01 | 0G8329 | Abstreifer Horizontal | Horizontal scraper | PBOT06 | 8291... |

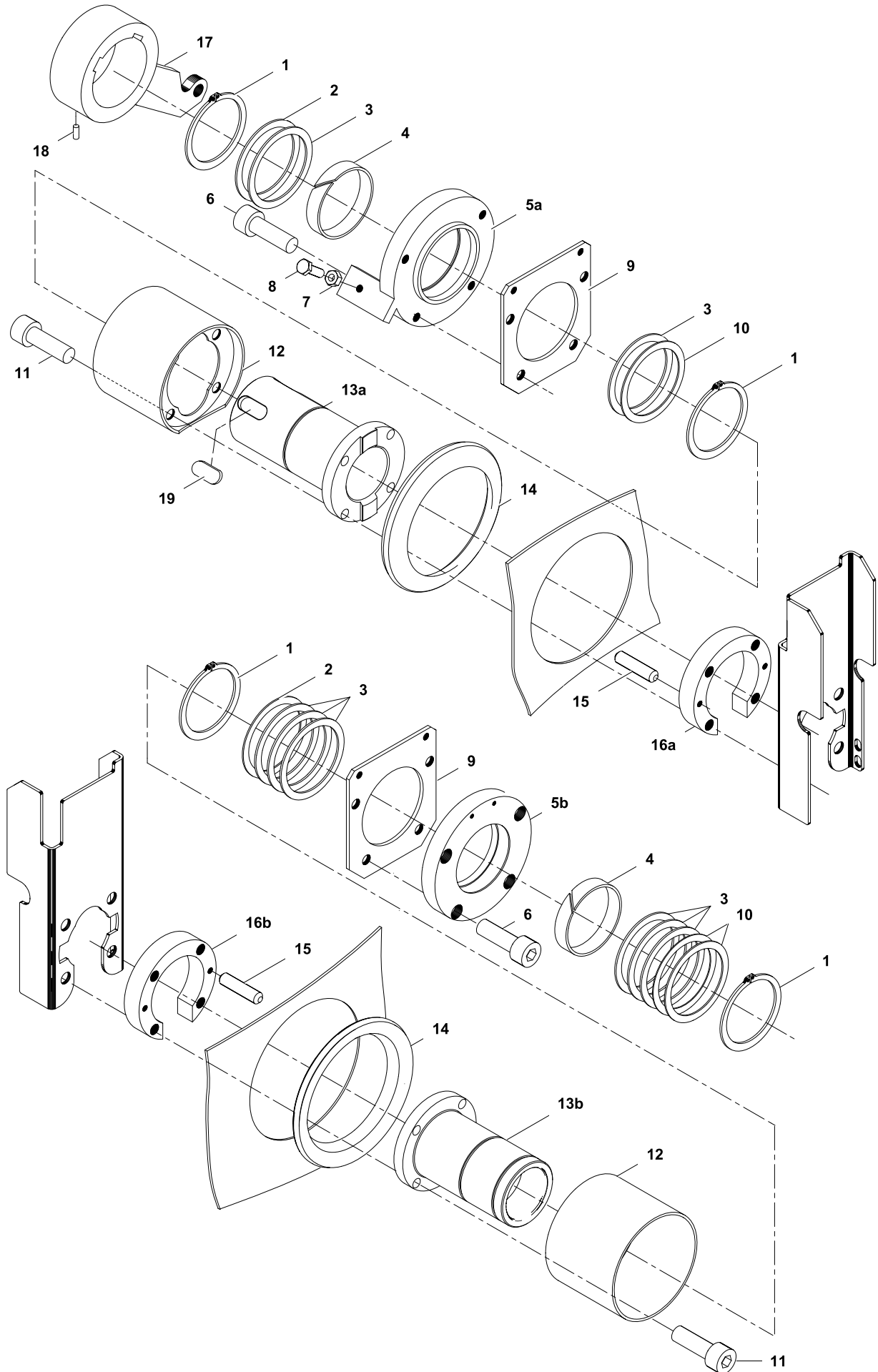
* Components on demand
* Teile auf Anfrage

Doc. № 599A2B700 / 87.8020.02

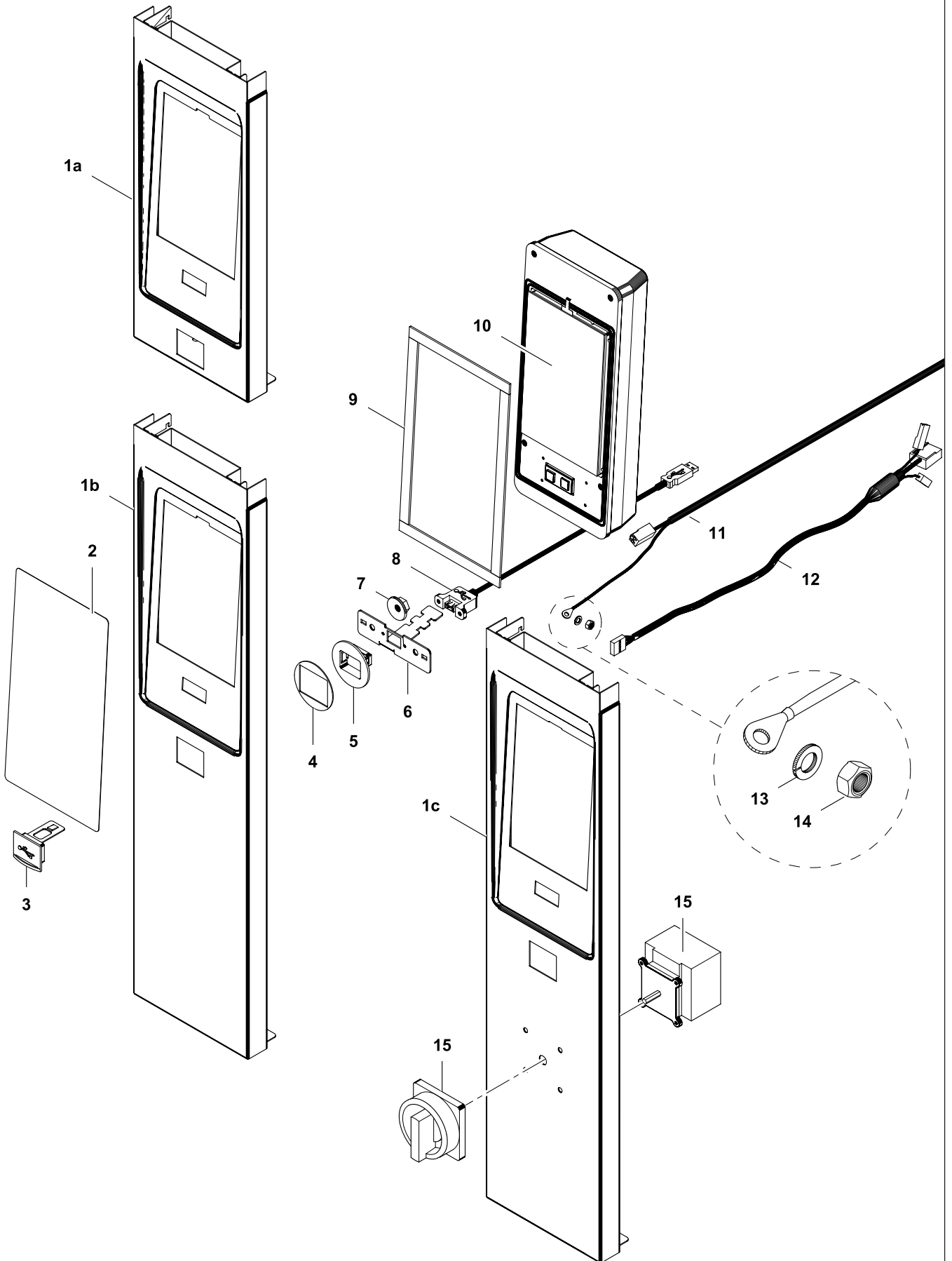
Page: 9



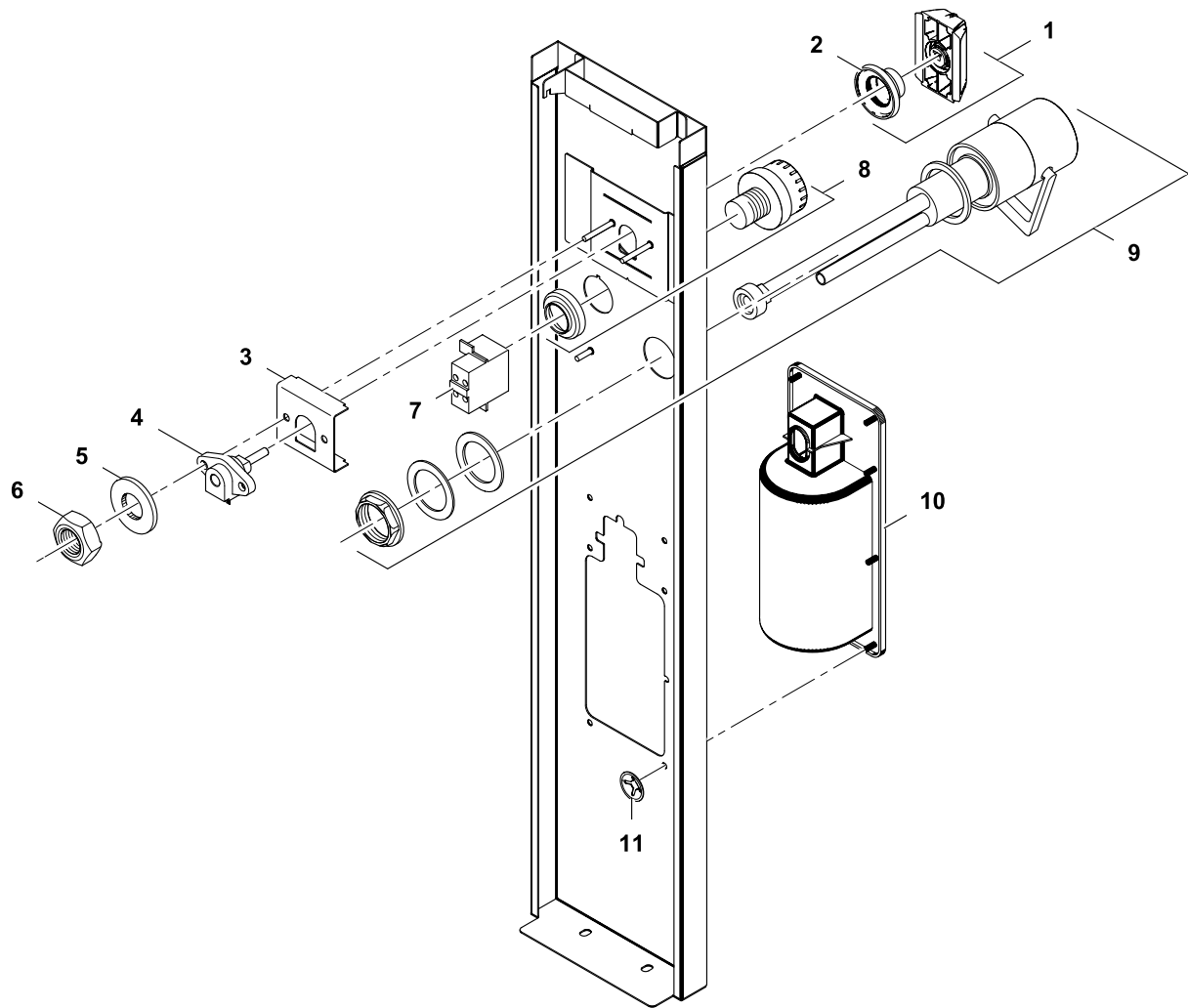
| 6 | Alias | Code | Bezeichnung | Description | Ref. | Valid from Serial N° |
|---|---------------|--------|-----------------------------|--------------------------------|--------------------|----------------------|
| 1 | 72.4249 | 059218 | Stellfuss 2" H200 | Adjustible feet 2" H200 | Standard + UL H700 | |
| 2 | 1 701 5004 | 0H9734 | Federscheibe M5 | Spring washer M5 | | |
| 3 | 1 701 2509 | 0K4598 | Sechskantschraube M5x12 | Hex bolt M5x12 | | |
| 4 | 72.4250.01 | OG7274 | Stellfuss 2" Marine H200 | Adjustible feet 2" Marine H200 | Marine | |
| 5 | 72.4344 | OG2948 | Stellfuss 2" H100 | Adjustible feet 2" H100 | Standard H800 | |
| 6 | 1 201 1925 | OG7248 | Abdeckkappe | Cover cap | | |
| 7 | 712 044961.17 | OKT854 | Kabettülle Ø25 Ø31 Ø35 x 10 | Cable sleeve Ø25 Ø31 Ø35 x 10 | | |
| | | | | | | |
| | | | | | | |
| | | | | | | |



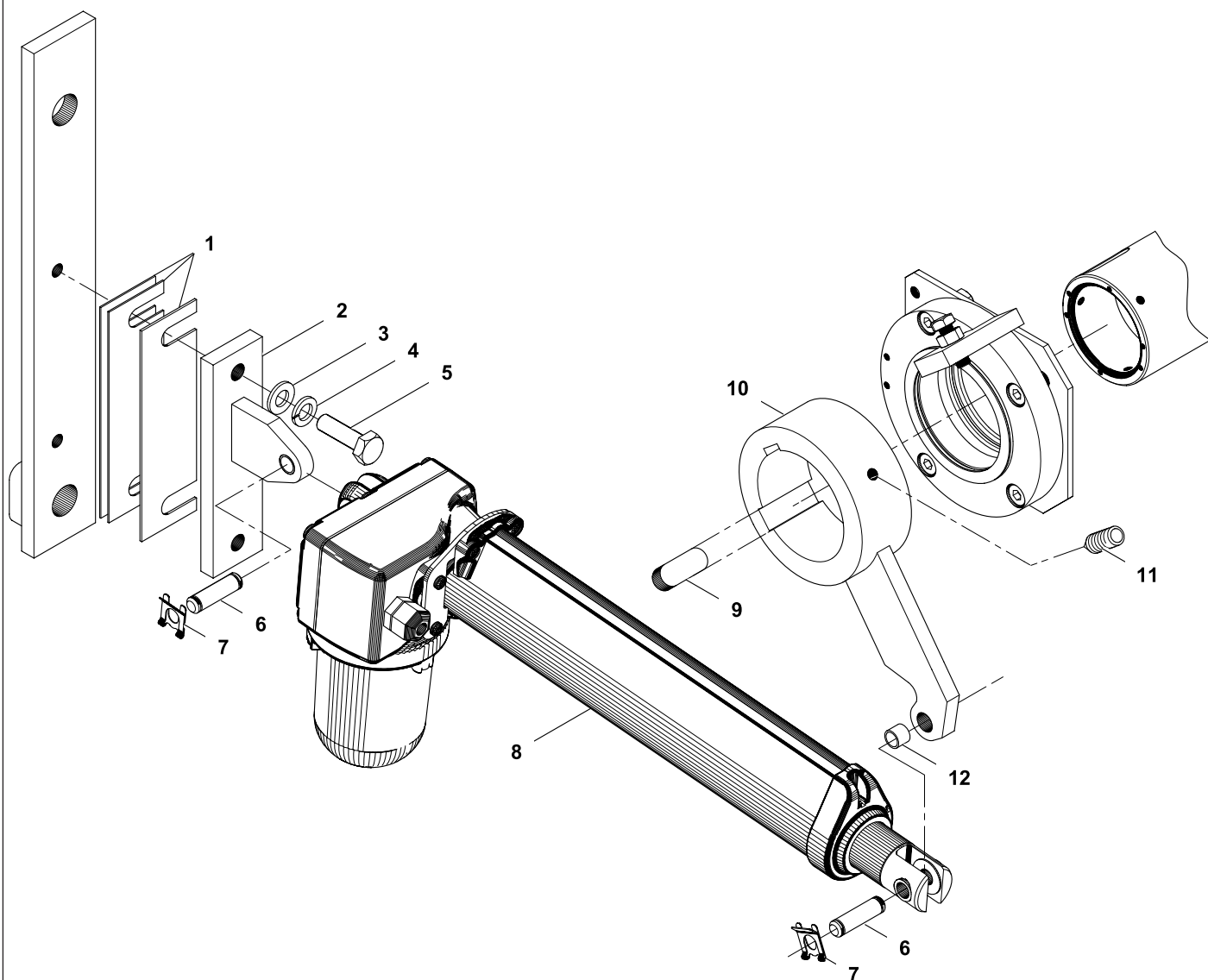
| 7 | Alias | Code | Bezeichnung | Description | Ref. | Valid from Serial N° |
|-----|------------|--------|-------------------------------|---------------------------|-------------|----------------------|
| 1 | 1 701 5080 | OKT913 | Sicherungsring Ø70 | Circlip ring Ø70 | | |
| 2 | 76.4402 | OKI520 | Distanzscheibe | Spacer washer | | |
| 3 | 76.4037 | OKI519 | Distanzscheibe | Spacer washer | | |
| 4 | 76.3002 | OKI517 | Lagerband | Bearing strip | | |
| 5a | 76.4425 | OG4680 | Lagerhalter links | Bearing retainer left | | |
| 5b | 76.4337 | OKT703 | Lagerhalter rechts | Bearing retainer right | | |
| 6 | 1 701 2631 | OKT916 | Innensechskantschraube M8x25 | Allen bolt M8x25 | | |
| 7 | 1 701 3044 | OK4612 | Sechskantmutter M8 | Hex nut M8 | | |
| 8 | 1 701 2616 | OKT918 | Sechskantschraube M8x25 | Hex bolt M8x25 | | |
| 9 | 76.4341 | OG4726 | Gegenhalter | Counter support | | |
| 10 | 76.4038 | OKT707 | Stützscheibe | Retaining washer | | |
| 11 | 1 101 8148 | OG2970 | Innensechskantschraube M10x50 | Allen bolt M10x50 | 100L | |
| | 1 701 1073 | OG4678 | Innensechskantschraube M10x60 | Allen bolt M10x60 | 60L | |
| | 1 701 1074 | OG4679 | Innensechskantschraube M10x70 | Allen bolt M10x70 | 150L - 500L | |
| 12 | 76.4102.01 | OG3135 | Abdeckung Lagerzapfen | Cover bearing spigot | 100L | |
| | 76.4102.02 | OG4677 | Abdeckung Lagerzapfen | Cover bearing spigot | 150L - 500L | |
| | 76.4102.04 | OG4675 | Abdeckung Lagerzapfen | Cover bearing spigot | 60L | |
| 13a | 76.4526 | OG3046 | Lagerzapfen links | Bearing spigot left | | |
| 13b | 76.4111 | OKT705 | Lagerzapfen rechts | Bearing spigot right | | |
| 14 | 76.3004 | OKI521 | Dichtmanschette | Sealing sleeve | | |
| 15 | 1 701 7058 | OG6089 | Schwerspannstift 6x26 | Spring pin 6x26 | | |
| 16a | 76.4530.01 | OG3498 | Zwischenring links 20mm | Spacer bracket left 20mm | 100L - 500L | |
| | 76.4530.02 | OG6420 | Zwischenring links 30mm | Spacer bracket left 30mm | 60L | |
| 16b | 76.4031.01 | OKT709 | Zwischenring rechts 20mm | Spacer bracket right 20mm | 100L - 500L | |
| | 76.4031.02 | OKT708 | Zwischenring rechts 30mm | Spacer bracket right 30mm | 60L | |
| 17 | 76.4362 | | Kipphebel geschweisst | Tilting lever welded | D800/850 | |
| | 76.4022 | OKW902 | Kipphebel geschweisst | Tilting lever welded | D900/1000 | |
| 18 | 1 701 7094 | OG4248 | Gewindestift I-6kt M8x12 | Allen setscrew M8x12 | | |
| 19 | 1 201 1907 | OKT929 | Keilfeder 14x9x36 | Feather key 14x9x36 | | |



| 8 | Alias | Code | Bezeichnung | Description | Ref. | Valid from Serial N° |
|----|---------------|--------|---------------------------------------|--|-----------------------------|----------------------------|
| 1a | 871013.03 | OG7714 | Steuerfront | UI panel | 400H 800/900/1000 depth | |
| | 871013.06 | * | Steuerfront | UI panel | 400H 850 depth | |
| 1b | 871013.01 | * | Steuerfront | UI panel | 700H 800/900/1000 depth | |
| | 871013.02 | * | Steuerfront | UI panel | 800H 800/900/1000 depth | |
| 1c | 871013.04 | * | Steuerfront | UI panel | 700H 850 depth | |
| | 871013.05 | * | Steuerfront | UI panel | 800H 850 depth | |
| | 871013.07 | * | Steuerfront mit Hauptschalter | UI panel with main switch | 700H 800/900/1000 depth | |
| | 871013.08 | * | Steuerfront mit Hauptschalter | UI panel with main switch | 800H 800/900/1000 depth | |
| | 871013.09 | * | Steuerfront mit Hauptschalter | UI panel with main switch | 700H 850 depth | |
| | 871013.10 | * | Steuerfront mit Hauptschalter | UI panel with main switch | 800H 850 depth | |
| | 871013.15 | * | Steuerfront mit Hauptschalter | UI panel with main switch | 400H 900 depth (1000 depth) | |
| | 871013.16 | * | Steuerfront mit Hauptschalter | UI panel with main switch | 700H 900 depth (1000 depth) | |
| | 871013.17 | * | Steuerfront mit Hauptschalter | UI panel with main switch | 800H 900 depth (1000 depth) | |
| | 2 | 871008 | OG6081 | Folie | Foil | |
| 3 | 879004 | OC6546 | Abdeckkappe zu USB | USB cover | | |
| 4 | 879005 | OG7687 | Dichtung zu USB | USB sealing | | |
| 5 | 879003 | OC6547 | Halter zu USB | USB support | | |
| 6 | 871014 | OG7715 | Blech zu USB | USB fixation sheet | | |
| 7 | 712 044120.04 | OG4918 | Kepsmutter M4 | Keps nut M4 | | |
| 8 | 879030 | OC6566 | Kabel COPUI40-USB | Cable COPUI40-USB | | |
| 9 | 87.7117 | | Dichtung Steuerung | Sealing user interface | | |
| 10 | 87.9043_0 | OG5909 | Steuerung komplett | User interface assembled | | until 9171... |
| | 87.9043_1 | OG6990 | Steuerung komplett | User interface assembled | | from 5181... to 9171... |
| | 879242 | OG8585 | Steuerung komplett COPUI70 | User interface COPUI70 assembled | | 9181... |
| 11 | 879010 | OG5956 | Kabel Klemmen-COPUI40S | Cable terminal-COPUI40S | | |
| | 879222 | | Kabel Klemmen-COPUI40S Marine | Cable terminal-COPUI40S Marine | Marine 400/440V | |
| 12 | 879033 | OG5957 | Kabel COPUI40-COP20 | Cable COPUI40-COP20 | | |
| 13 | 1 701 5004 | OH9734 | Federring M5 | Spring washer M5 | | |
| 14 | 1 701 3008 | OG6111 | Sechskantmutter M5 | Hex nut M5 | | |
| 15 | 76.9164.01 | OG2137 | Hauptschalter 25A | Main switch 25A | 60L | |
| | 76.9149.02 | | Kabel 5x2.5mm ² L=1400 | Cable 5x2.5mm ² L=1400 | 60L | until 7441... |
| | 879216.01 | OG8069 | Kabel 5x4mm ² | Cable 5x4mm ² | 60L - 800/850 depth | 7451... |
| | 879083.02 | OG5928 | Kabel 4mm ² | Cable 4mm ² | 60L - 900 depth | 7451... |
| | 76.9164.02 | OK4979 | Hauptschalter 63A | Main switch 63A | 100L/150L/200L/300L | |
| | 76.9149.08 | OT6273 | Kabel 5x10mm ² L=1400 | Cable 5x10mm ² L=1400 | 200L/300L | until 7441... |
| | 879216.03 | OG8071 | Kabel 5x10mm ² | Cable 5x10mm ² | 200L/300L - 800/850 depth | 7451... |
| | 879083.04 | OG5954 | Kabel 10mm ² | Cable 10mm ² | 200L/300L - 900 depth | 7451... |
| | 76.9149.06 | OG7114 | Kabel 5x6mm ² L=1400 | Cable 5x6mm ² L=1400 | 100L/150L | until 7441... |
| | 879216.02 | OG8070 | Kabel 5x6mm ² | Cable 5x6mm ² | 100L/150L - 800/850 depth | 7451... |
| | 879083.03 | OG5929 | Kabel 6mm ² | Cable 6mm ² | 100L/150L - 900 depth | 7451... |
| | 76.9164.03 | OK4980 | Hauptschalter 80A | Main switch 80A | 400L/500L | |
| | 76.9149.10 | * | Kabel 5x16mm ² L=1400 | Cable 5x16mm ² L=1400 | 400L/500L | until 7441... |
| | 879216.04 | OG8072 | Kabel 5x16mm ² | Cable 5x16mm ² | 400L/500L - 800/850 depth | 7451... |
| | 879083.05 | OG5955 | Kabel 16mm ² | Cable 16mm ² | 400L/500L - 900 depth | 7451... |
| | 879227 | OG7997 | Kabel COPUI40D-Inverter Kommunikation | Cable: COPUI40D-Inverter communication | PBOTxxW | |

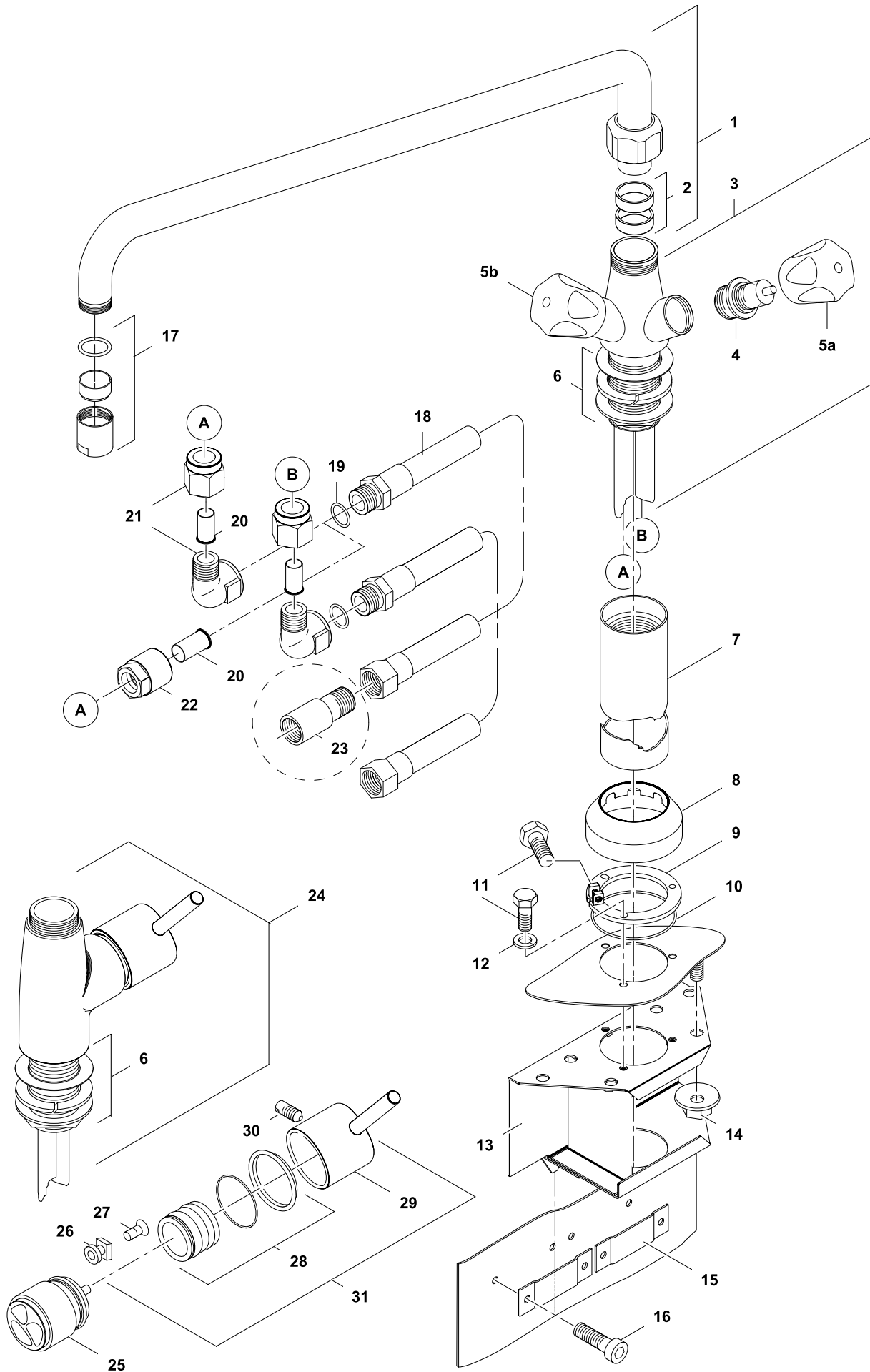


| 9 | Alias | Code | Bezeichnung | Description | Ref. | Valid from Serial N° |
|----|--------------|--------|-----------------------------------|---------------------------------|------|----------------------|
| 1 | 87.7072_0.KD | OG6644 | Drehgriff komplett | Handle with adapter and sealing | | |
| 2 | 82.7009 | OG6247 | Dichtung Drehgriff | Sealing handle | | |
| 3 | 87.1363 | OG7236 | Abstandsblech | Spacer | | |
| 4 | 87.9118 | OG6267 | Kipppotentiometer 7POT5KEO | Tilting potentiometer 7POT5KEO | | |
| 5 | 1 701 3502 | OG3595 | Unterlegscheibe Ø4,3 x Ø9,0 x 0,8 | Wascher Ø4,3 x Ø9,0 x 0,8 | | |
| 6 | 1 701 3004 | OK4606 | Sechskantmutter M4x0.8 | Hex nut M4x0.8 | | |
| 7 | 76.9108.02 | OK5160 | Kontaktgeber Notaus | Terminal emergency stop | | |
| 8 | 76.9075.03 | OKX129 | Notausschlater | Emergency stop button | | |
| 9 | 86.7120 | OG6839 | Einhebelmischer | One-lever mixer tap | | until 9051... |
| 10 | 86.7124 | OG7860 | Frontblende Spray Gun | Front panel spray gun | | |
| 11 | 1 701 5083 | OG6850 | Quicklock-Scheibe | Quicklock fixing washer | | |

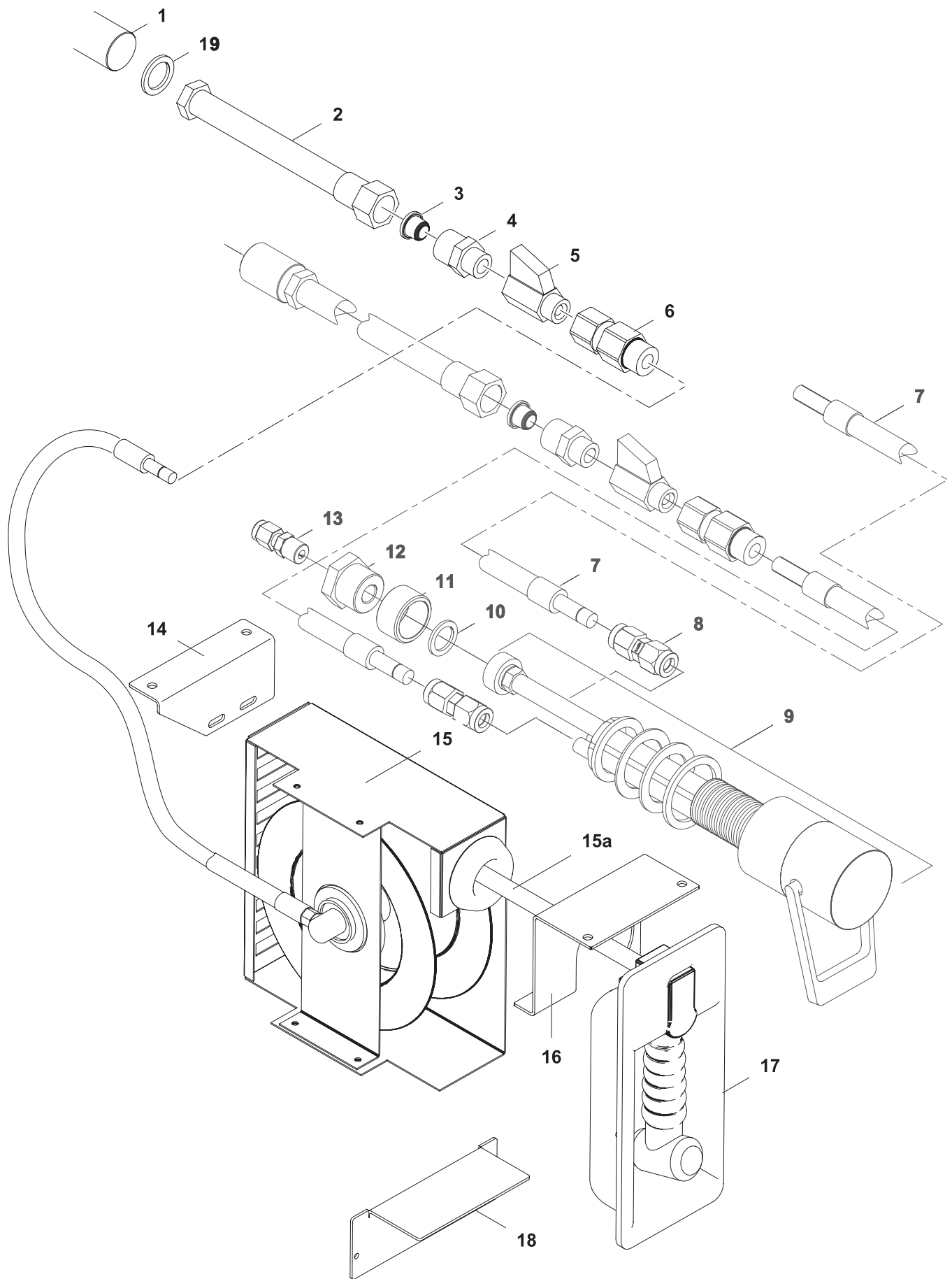


| 10 | Alias | Code | Bezeichnung | Description | Ref. | Valid from Serial N° |
|----|------------|--------|--------------------------------------|--------------------------------------|-----------------|----------------------|
| 1 | 76.0066.01 | OK5492 | Zwischenblech 1mm | Spacer sheet 1mm | | |
| | 76.0066.03 | OK5494 | Zwischenblech 1,5mm | Spacer sheet 1,5mm | | |
| 2 | 76.0162 | OG2930 | Motorhalter | Motor support | Depth 900 | |
| | 76.0163 | OG6384 | Motorhalter | Motor support | Depth 1000 | |
| 3 | 1 701 3516 | OT5917 | Unterlegscheibe Ø10.5 x Ø21 x 2 | Washer Ø10.5 x Ø21 x 2 | | |
| 4 | 1 701 5040 | OK4616 | Federring M10 | Spring washer M10 | | |
| 5 | 1 701 2543 | OK4601 | Sechskantschraube M10x35 | Hex bolt M10x35 | | |
| 6 | 87.7041 | OG6840 | Bolzen M10x30 | Pin M10x30 | | |
| 7 | 1 201 1927 | OK5499 | Federklammer Ø10 | Spring clip Ø10 | | |
| 8 | 87.9113 | OG6269 | Kippmotor SIR 3000N lang 6814421 | Tilting motor SIR 3000N long 6814421 | 60L (D900)/150L | 4141... |
| | 87.9112 | OG6268 | Kippmotor SIR 6000N lang 6814420 | Tilting motor SIR 6000N long 6814420 | 200L/500L | until 7511... |
| | 87.9115 | OG6271 | Kippmotor SIR 3000N kurz 6814423 | Tilting motor SIR 3000N kurz 6814423 | 60L (D800/850) | 4141... |
| | 87.9240 | OG8106 | Kippmotor SIR 6000N lang 6170153 | Tilting motor SIR 6000N long 6170153 | 400L/500L | 7521... |
| | 76.3090 | OK4753 | Kippmotor 3000N lang | Tilting motor 3000N long | 60L (D900)/150L | 3401... |
| | 76.3091 | OK4754 | Kippmotor 8000N lang | Tilting motor 8000N long | 200L/500L | 3401... |
| | 76.3093 | OKT713 | Kippmotor 3000N kurz | Tilting motor 3000N short | 60L (D800/850) | 3401... |
| 9 | 1 201 1907 | OKT929 | Passfeder 14x9x36 | Feather key 14x9x36 | | |
| 10 | 76.2027.01 | OG7635 | Kipphebel | Rocker arm | Depth 900/1000 | |
| | 76.2027.02 | * | Kipphebel | Rocker arm | Depth 800 | |
| 11 | 1 701 7094 | OG4248 | Gewindestift m. Innensechskant M8x12 | Allen set screw M8x12 | | |
| 12 | 76.4115 | OK5498 | Lager GLEIT-PERMAGLIDE | Fiberglide | | |

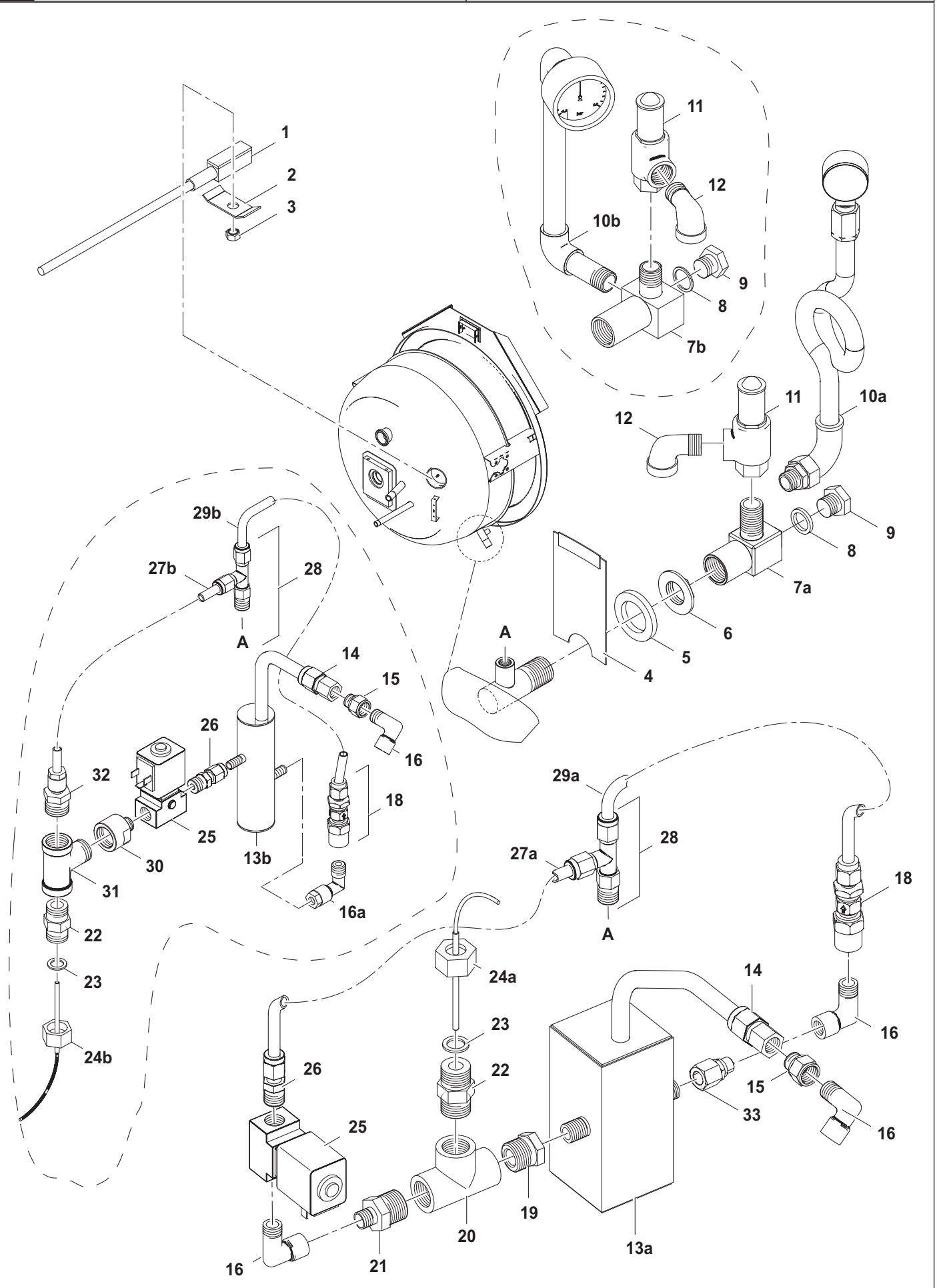
* Components on demand
* Teile auf Anfrage



| 11 | Alias | Code | Bezeichnung | Description | Ref. | Valid from Serial N° |
|----|---------------|--------|--|--|------|----------------------|
| | 76.2013.01_KD | OKL304 | Kit Zweihebel-Mischbatterie 330x600mm Kit enthält Pos.: 1-16, 18-20, 22 | Kit mixing tap, 2 knobs, 330x600mm Kit contains pos.: 1-16, 18-20, 22 | | |
| 1 | 712 344884.04 | OK5360 | KWC Schwenkauslauf 3/4", 600mm | KWC swivel spout 3/4", 600mm | | |
| | 712 344884.03 | OK5358 | KWC Schwenkauslauf 3/4", 450mm | KWC swivel spout 3/4", 450mm | | |
| | 712 344884.02 | OK5359 | KWC Schwenkauslauf 3/4", 300mm | KWC swivel spout 3/4", 300mm | | |
| 2 | | OK3930 | Dichtungsringe | Sealing rings | | |
| 3 | 712 344884.01 | OK5355 | KWC Zweihebel-Mischbatterie | KWC Mixing tap, 2 knobs | | |
| 4 | | OK5357 | Ventileinsatz 3/4" | Valve insert 3/4" | | |
| 5a | | OK5826 | Griff blau | Knob blue | | |
| 5b | | OK5827 | Griff rot | Knob red | | |
| 6 | | OG3239 | Set Verschraubung 5/4" | Kit Fixation 5/4" | | |
| 7 | 72.5976.01 | OG5227 | Standrohr 460mm | Stand pipe 460mm | | |
| | 72.5976.02 | OG3179 | Standrohr 330mm | Stand pipe 330mm | | |
| | 72.5976.03 | OG4753 | Standrohr 160mm | Stand pipe 160mm | | |
| 8 | 72.0435 | OG3091 | Rosette zu Standrohr | Stand pipe collar | | |
| 9 | 72.5919 | OKT745 | Sicherungsring | Fixation ring | | |
| 10 | 712 044480.14 | OKT793 | O-Ring ORM 0530-20 | Joint ORM 0530-20 | | |
| 11 | 1 701 2632 | OG3677 | Sechskantschraube M4 x 16 | Hex bolt M4x16 | | |
| 12 | 1 701 5002 | OKL273 | Federring M4 | Spring washer M4 | | |
| 13 | 76.0119.01 | OT2658 | Konsole Mischbatterie | Console mixing tap | | |
| 14 | 712 044120.05 | OG3998 | Kepsmutter M5 | Keps nut M5 | | |
| 15 | 76.0033 | OG3979 | Hutprofil | Clamping profile | | |
| 16 | 1 101 8129 | OG3676 | Innensechskantschraube M5 x 16 | Allen bolt M5 x 16 | | |
| 17 | | OG3238 | Tropfenschutz 3/4" | Drip stop 3/4" | | |
| 18 | 712 344893.01 | OKW734 | Panzerschlauch L1700 G1/2" / R1/2" | Armored hose L1700 G1/2" / R1/2" | | until 9441... |
| | 87.7188.01 | OG8753 | Panzerschlauch L1700 G1/2" - I/A | Armored hose L1700 G1/2" - I/A | | 9451... |
| | 712 344893.02 | OK5363 | Panzerschlauch L1100 G1/2" / R1/2" | Armored hose L1100 G1/2" / R1/2" | | until 9441... |
| | 87.7188.02 | OG8754 | Panzerschlauch L1100 G1/2" - I/A | Armored hose L1100 G1/2" - I/A | | 9451... |
| | 712 344893.03 | OG6530 | Panzerschlauch L600 G1/2" | Armored hose L600 G1/2" | | until 9441... |
| | 87.7188.03 | OG8755 | Panzerschlauch L600 G1/2" - I/A | Armored hose L600 G1/2" - I/A | | 9451... |
| 19 | 712 044481.21 | OG3610 | Flachdichtung Ø 18/11x2 G1/2" | Flat seal Ø 18/11x2 G1/2" | | until 9051... |
| | 87.2429 | OG8524 | Flachdichtung Ø 18/11x2 G1/2" | Gasket Ø 18/11x2 G1/2" | | 9061... |
| 20 | 1 101 3797 | OKI129 | Stützhülse | Sleeve | | |
| 21 | 1 101 3798 | OK4489 | Winkel-Anschluss G1/2" | Angle connection G1/2" | | |
| 22 | 1 101 2075 | OKX119 | Anschluss G1/2" | Connection G1/2" | | |
| 23 | 87.5168 | OG6646 | WFA Adapter G1/2" | WFA Adapter G1/2" | | |
| 24 | 712 344884.05 | * | KWC Einhebel-Mischbatterie | KWC mixing tap, one lever | | |
| 25 | | OKI140 | Steuerpatrone | Mixer tap cartridge | | |
| 26 | Z.632.240 | KWC | Kunststoffeinsatz | Plastic insert | | |
| 27 | Z.602.997 | KWC | Schraube M4 x 15 | Screw M4 x 15 | | |
| 28 | Z.535.675 | KWC | Befestigung mit Gleitringen | Fixation with slide rings | | |
| 29 | Z.634.829 | KWC | Bedienhebel , chrom | Control lever, chrome | | |
| 30 | Z.605.952 | KWC | Gewindestift M6 x 10 | Set screw M6 x 10 | | |
| 31 | Z.535.674 | KWC | Bedienhebel mit Befestigung | Control lever with fixation | | |



| 12 | Alias | Code | Bezeichnung | Description | Ref. | Valid from Serial N° |
|-----|---------------|--------|--|-----------------------------------|------|----------------------|
| 1 | 87.5168 | OG6646 | Adapter zu WFA | Adapter for WFA | | |
| 2 | 712 344893.04 | OG7140 | Panzerschlauch L600 | Armored hose L600 | | until 9441... |
| | 87.7188.04 | OG8756 | Panzerschlauch L600 | Armored hose L600 | | 9451... |
| 3 | 1 701 2827 | OG6842 | Hutfilter 1/2-50/50 H12 | Filter insert 1/2-50/50 H12 | | |
| 4 | 1 116 1219 | OG6843 | Reduziernippel | Reduction nipple | | |
| 5 | 86.1086 | OG6844 | Kugelhahn mini 3/8" | Ball valve mini 3/8" | | |
| 6 | 86.1087 | OG6845 | Rückschlagventil 3/8" | Check valve 3/8" | | until 9051... |
| | 87.7151 | OG8523 | Rückschlagventil 3/8" | Check valve 3/8" | | 9061... |
| 7 | 87.5147 | OG6846 | Schlauch Ø10 | Hose Ø10 | | until 9051... |
| 8 | 1 101 2156 | OG6847 | Gerade Verschraubung mit Rohranschluss | Straight pipe fitting | | until 9051... |
| 9 | 86.7120 | OG6839 | Einhebelmischer | One-lever mixer tap | | until 9051... |
| 10 | 712 044481.04 | OG3951 | Flachdichtung Ø24x17x2 | Flat sealing | | until 9051... |
| 11 | 1 116 1156 | OG6848 | Muffe halb 3/4" - 1/4" | Turnbuckle 3/4" - 1/4" | | until 9051... |
| 12 | 1 117 1296 | OG6851 | Buchse 3/4" - 1/4" | Hex bushing 3/4" - 1/4" | | until 9051... |
| 13 | 1 101 3901 | OKT947 | Verschraubung mit Einschraubnippel | Pipe fitting with threaded nipple | | until 9051... |
| 14 | 87.4035 | * | Halter Spray Gun oben | Upper spray gun support | | |
| 15 | 86.7123 | OG5969 | Spray Gun | Spray gun | | |
| 15a | 87.7068 | OG6579 | Schlauch EPDM zu Spray Gun | Hose EPDM for spray gun | | |
| 16 | 87.5152 | * | Halter Spray Gun oben (H400) | Upper Spray gun support (H400) | H400 | |
| 17 | 86.7124 | OG7860 | Frontblende Spray Gun | Front panel spray gun | | |
| 18 | 87.4034 | * | Halter Spray Gun unten (H700) | Lower spray gun support (H700) | H700 | |
| 19 | 87.2429 | OG8524 | Dichtung 18x11x2 | Sealing 18x11x2 | | 9061... |

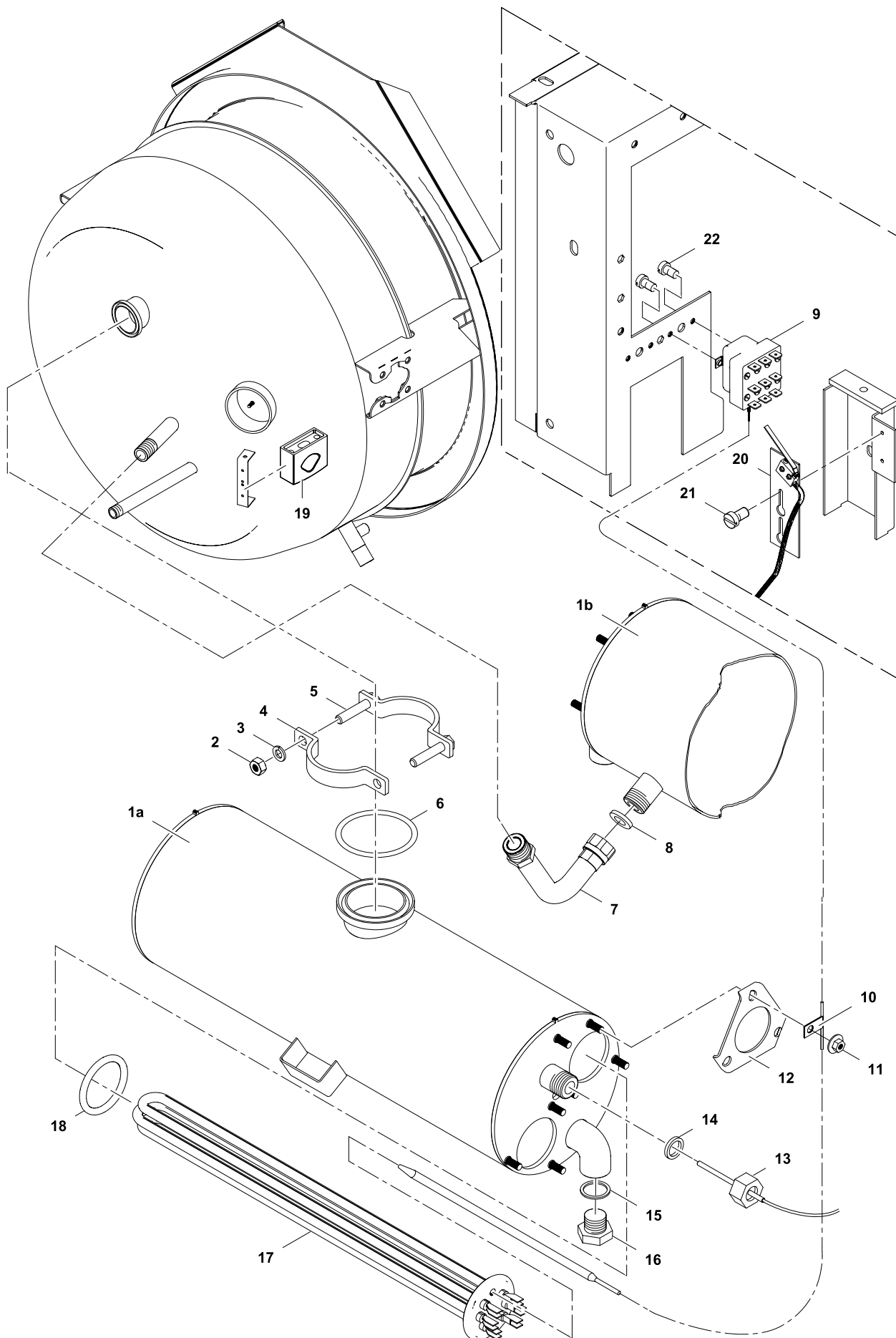


| 13 | Alias | Code | Bezeichnung | Description | Ref. | Valid from Serial N° |
|-----|---------------|----------|--|--|------------------|----------------------|
| 1 | 879147.01.KD | OG6280 | TC Sensor Food gelb | TC Sensor food, yellow | | |
| 2 | 76.4191 | OG3087 | Fühlerhalter | Sensor fixation | | |
| 3 | 1 701 3008 | OG6111 | Sechskantmutter M5 | Hex nut M5 | | |
| | 76.3064.01 | * | Wärmeleitpaste | Heat conducting paste | | |
| 4 | 76.4080 | OG4067 | Deckel Außenmantel | Mantle cover | | |
| 5 | 712 044489.01 | OG6852 | Dichtungsmanschette | Seraling collar | | |
| 6 | 712 344858.23 | OK8849 | Gegenmutter 3/4" | Counter nut 3/4" | | |
| 7a | 76.4024 | OKT710 | Armaturkörper | Fitting | | |
| 7b | 87.2234 | OG6853 | Armaturkörper *China | Fitting *China | | |
| 8 | 1 101 2157 | OK5545 | Kupferdichtung 21x26 | Copper seal 21x26 | | |
| 9 | 1 117 1239 | OKV476 | Stopfen 1/2" | Stopper 1/2" | | |
| 10a | 87.0101 | OG6366 | Prüfmanometer Service | Testing manometer | PBOTxxE/R | |
| 10b | | PA020300 | Anbaumanometer *China | Integrated manometer *China | 60L/100L *China | |
| | | PA020400 | Anbaumanometer *China | Integrated manometer *China | 150L/200L *China | |
| | | PA020500 | Anbaumanometer *China | Integrated manometer *China | 300L/400L *China | |
| 11 | 86.2424 | OG5631 | Sicherheitsventil | Safety valve | | |
| 12 | 1 101 2162 | OG6161 | Einschraubwinkel 1/2" | Elbow fitting 1/2" | | |
| | 1 201 1813 | OG3817 | Kleber LOCTITE 577 | Glue LOCTITE 577 | | |
| | 21 775 | OG2699 | Teflonband | Teflon strip | | |
| 13a | 87.2248.01 | * | Kondensator | Condenser | 60-150L/300-500L | 5121... |
| | 87.2248.02 | * | Kondensator | Condenser | 200L | 5121... |
| 13b | 76.4270.02 | OKT704 | Kondensator | Condenser | 60L/150L | |
| | 76.4270.03 | OG4573 | Kondensator | Condenser | 200L | |
| | 76.4270.04 | OG6653 | Kondensator | Condenser | 300L/500L | |
| 14 | 1 101 3900 | OKT948 | Verschraubung mit Anschlussmuffe | Swivel connection | | |
| 15 | 1 116 1147 | OG2707 | Reduziernippel 1/4" | Reduction nipple 1/4" | | |
| 16 | 1 116 1142 | OKT936 | Einschraubwinkel 1/4" | Elbow fitting 1/4" | | |
| 16a | 1 101 3757 | * | Einschraubwinkel | Elbow fitting | | |
| 18 | 87.7073 | OG6745 | Rückschlagventil mit Filter | Check valve with filter sieve | | |
| 19 | 1 102 2468 | OG6234 | Überschnitt-Buchse 1/4" | Fitting 1/4" | | 5121... |
| 20 | 1 102 2435 | OG7145 | T-Stück (KOHLER) | Tee fitting | | 5121... |
| 21 | 87.6003 | OG7392 | Reduziernippel 1/2" - 1/4" | Reduction nipple 1/2" - 1/4" | | 5121... |
| 22 | 1 101 3933 | OG7393 | Nippel 1/2" | Nipple 1/2" | | |
| 23 | 87.7063 | OG7394 | Kupferdichtung | Copper sealing | | until 9051... |
| | 87.2429 | OG8524 | Dichtung 18x11x2 | Gasket 18x11x2 | | 9061... |
| 24a | 87.9148.02 | OG5913 | Sensor TC blau | Sensor TC blue | | 5121... |
| 24b | 86.9083 | OG7395 | Sensor | Sensor | | |
| 25 | 76.3035 | OK5341 | Magnetventil | Solenoid valve | | |
| | 76.4935 | OK4978 | Stecker Magnetventil | Socket solenoid valve | | |
| | 87.9017 | OG5921 | Kabel: COP20 - Entlüftung | Cable: COP20 - Dearation | | |
| 26 | 1 101 3901 | OKT947 | Verschraubung mit Einschraubnippel | Straight fitting | | |
| 27a | 87.2255.XX | | Vorlauf | Inlet line | | 5121... |
| 27b | 87.2127.XX | | Vorlauf | Inlet line | | |
| 28 | 87.7074 | OG6746 | T-Stück mit Übergangsnippel und Filter | Tee swivel connector with filter sieve | | |
| 29a | 87.2254.XX | | Rücklauf | Outlet line | | 5121... |
| 29b | 87.2126.XX | | Rücklauf | Outlet line | | |
| 30 | 1 116 1228 | OG7312 | Reduziernippel 1/2" - 1/4" | Reduction nipple 1/2" - 1/4" | | |
| 31 | 86.2629 | OG7313 | T-Stück 1/2" | Tee fitting 1/2" | | |
| 32 | 1 101 3909 | OG3428 | Verschraubung | Fitting | | |
| 33 | 87.7177 | OG8551 | Leitungsfiter WF 14 | Pipe filter WF 15 | | 9061... |
| | 1 201 1813 | OG3817 | Kleber LOCTITE 577 | Glue LOCTITE 577 | | |
| | 1 201 1924 | * | Silikonfett (Unisilicon) | Silicon grease (Unisilicon) | | |
| | 1 201 1522 | OG2160 | Dichtband eins. selbstkl. 10x3 weiss | Sealing tape 10x3 white | | |

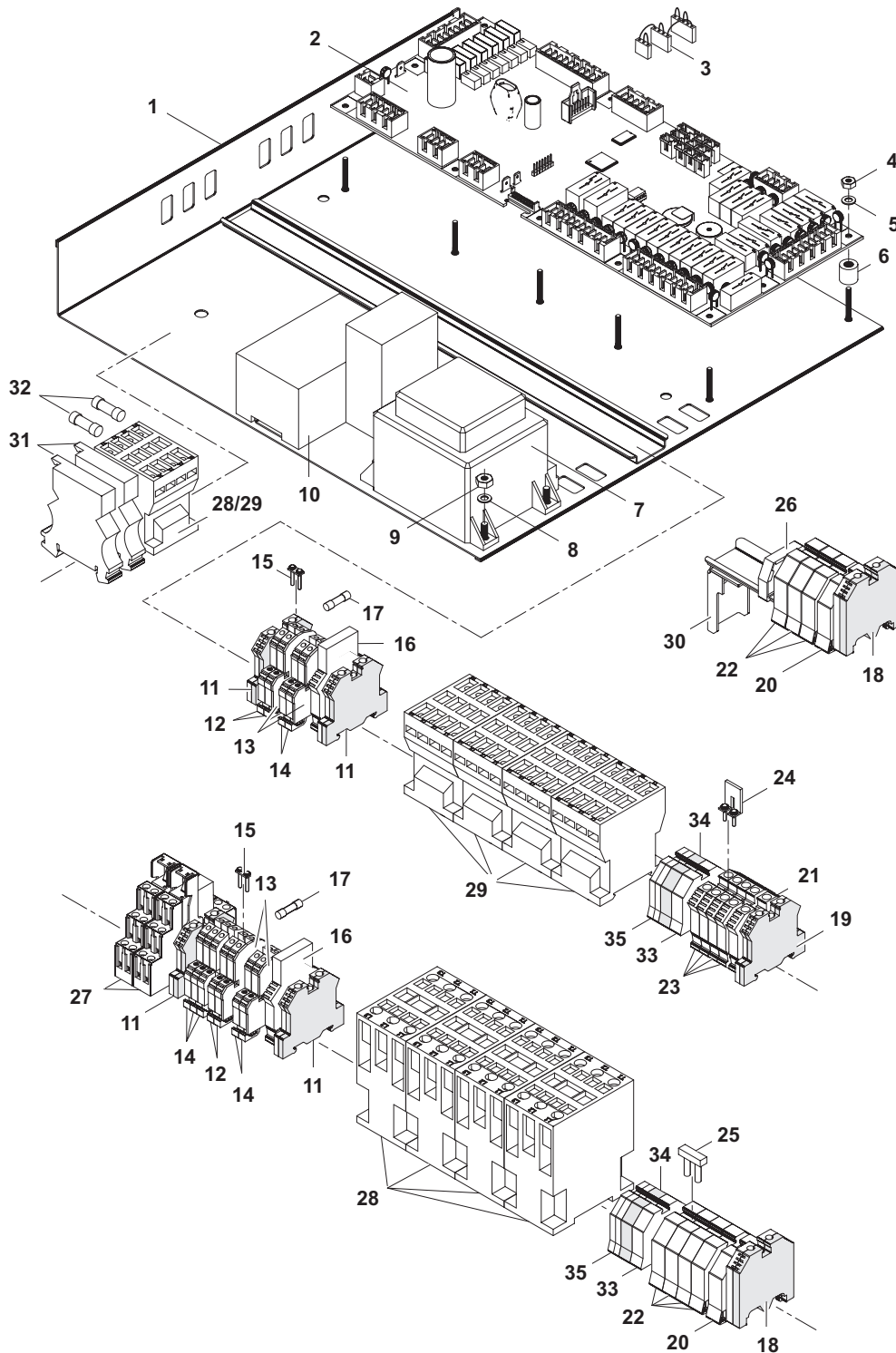
* Components on demand
* Teile auf Anfrage

Doc. № 599A2B700 / 87.8020.02

Page: 23



| 14 | Alias | Code | Bezeichnung | Description | Ref. | Valid from Serial N° |
|------------|---------------|------------------------------------|--------------------------------------|---------------------------------------|-------------------------|----------------------|
| 1a | 76.4058.01 | 0K6401 | Dampferzeuger | Steam generator | 60L | |
| | 76.4058.02 | 0KV614 | Dampferzeuger | Steam generator | 100L/200L/300L | |
| | 76.4058.03 | 0KI321 | Dampferzeuger | Steam generator | 150L/400L | |
| 1b | 76.4195.01 | 0G3499 | Zusatz-Damperzeuger | Additional steam generator | 200L/300L | |
| | 76.4195.02 | 0KW699 | Zusatz-Damperzeuger | Additional steam generator | 400L/500L | |
| 2 | 1 701 3044 | 0K4612 | Sechskantmutter M8 | Hex nut M8 | | |
| 3 | 1 701 5008 | 0KL250 | Federring M8 | Spring washer M8 | | |
| 4 | 713 842019.96 | 0G6837 | Klammer (1/2 Klammer) | Bride (1/2 bride) | | |
| 5 | 713 842019 | 0G3855 | Klammer mit Schrauben (1/2 Klammer) | Bride with screws (1/2 bride) | | |
| 6 | 713 042130 | 0K5557 | Dichtungsring | Sealing ring | | |
| 7 | 1 117 1238 | 0G2750 | Dampfleitung | Steam pipe | | |
| 8 | 712 044481.21 | 0G3610 | Dichtung | Sealing | | until 9051... |
| | 87.2429 | 0G8524 | Dichtung 18x11x2 | Gasket 18x11x2 | | 9061... |
| 9 | 76.3033 | 0K5143 | Begrenzer | Limiter | | |
| 10 | 76.4169 | 0G2819 | Halter Begrenzer | Limiter support | | |
| 11 | 712 044120.06 | 0G3997 | Kepsmutter M6 | Keps nut M6 | | |
| 12 | 76.4146 | 0T2634 | Klemmblech | Fixation sheet | | |
| 13 | 87.9148.01 | 0G5912 | TC Sensor grün | TC sensor, green | | |
| 14 | 87.7063 | 0G7394 | Kupferdichtung | Copper sealing | | until 9051... |
| | 87.2429 | 0G8524 | Dichtung 18x11x2 | Gasket 18x11x2 | | 9061... |
| 15 | 1 101 2157 | 0K5545 | Dichtung | Sealing | | |
| 16 | 1 117 1239 | 0KV476 | Stopfen | Stopper | | |
| 17 | 76.3027.03 | 0K4731 | Heizung 3kW-230V (400V) | Heating 3kW-230V (400V) | 60L/200L | |
| | 76.3027.04 | 0K4732 | Heizung 3kW-230V (400V)/Fühlerrohr | Heating 3kW-230V (400V)/Sensor tube | 60L | |
| | 76.3027.07 | 0KW705 | Heizung 3kW-255V (440V) | Heating 3kW-255V (440V) | 60L/200L (Marine) | |
| | 76.3027.08 | 0G6880 | Heizung 3kW-255V (440V)/Fühlerrohr | Heating 3kW-255V (440V)/Sensor tube | 60L (Marine) | |
| | 76.3028.03 | 0K4733 | Heizung 4.5kW-230V (400V) | Heating 4.5kW-230V (400V) | 100L/200L/300L | |
| | 76.3028.04 | 0K4734 | Heizung 4.5kW-230V (400V)/Fühlerrohr | Heating 4.5kW-230V (400V)/Sensor tube | 100L/200L/300L | |
| | 76.3028.07 | 0KW704 | Heizung 4.5kW-255V (440V) | Heating 4.5kW-255V (440V) | 100L/200L/300L (Marine) | |
| | 76.3028.08 | 0KT719 | Heizung 4.5kW-255V (440V)/Fühlerrohr | Heating 4.5kW-255V (440V)/Sensor tube | 100L/200L/300L (Marine) | |
| | 76.3029.03 | 0K4735 | Heizung 6kW-230V (400V) | Heating 6kW-230V (400V) | 150L/400L/500L | |
| | 76.3029.04 | 0K4736 | Heizung 6kW-230V (400V)/Fühlerrohr | Heating 6kW-230V (400V)/Sensor tube | 150L/400L/500L | |
| 76.3029.07 | 0KW703 | Heizung 6kW-255V (440V) | Heating 6kW-255V (440V) | 150L/400L/500L (Marine) | | |
| 76.3029.08 | 0KT718 | Heizung 6kW-255V (440V)/Fühlerrohr | Heating 6kW-255V (440V)/Sensor tube | 150L/400L/500L (Marine) | | |
| 18 | 718 042198 | 0G7398 | Dichtungsring | Sealing ring | | |
| 19 | 1 116 1072 | 0K4570 | Kabelklemme schwarz | Bride black | | |
| | 1 701 2023 | 0G6863 | Zylinderschraube M4x12 | Allen screw M4x12 | | |
| | 1 701 3502 | 0G3595 | Unterlegscheibe M4 | Washer M4 | | |
| | 712 044120.04 | 0G4918 | Kepsmutter M4 | Keps nut M4 | | |
| 20 | 87.9092 | 0G6381 | Mikroschalter mit Platte und Kabel | Micro switch with cable and support | | |
| 21 | 1 701 1541 | 0G3674 | Schraube M4x10 | Screw m4x10 | | |
| 22 | 1 701 2077 | 0G4174 | Zylinderschraube M4x6 | Allen screw M4x6 | | |
| | 76.9315.01_2 | 0G5914 | Kabel: Heizung - Schütz | Cable: heating element - contactor | 60L-500L | |
| | 76.9315.02_2 | 0G5915 | Kabel: Heizung - Schütz | Cable: heating element - contactor | 60L-500L | |
| | 76.9315.03_2 | 0G5916 | Kabel: Heizung - Schütz | Cable: heating element - contactor | 200L-500L | |
| | 76.9315.04_2 | 0G5917 | Kabel: Heizung - Schütz | Cable: heating element - contactor | 200L-500L | |
| | 76.9109_2 | 0G5918 | Kabelbrücke Heizung | Cable link heating elements | | |



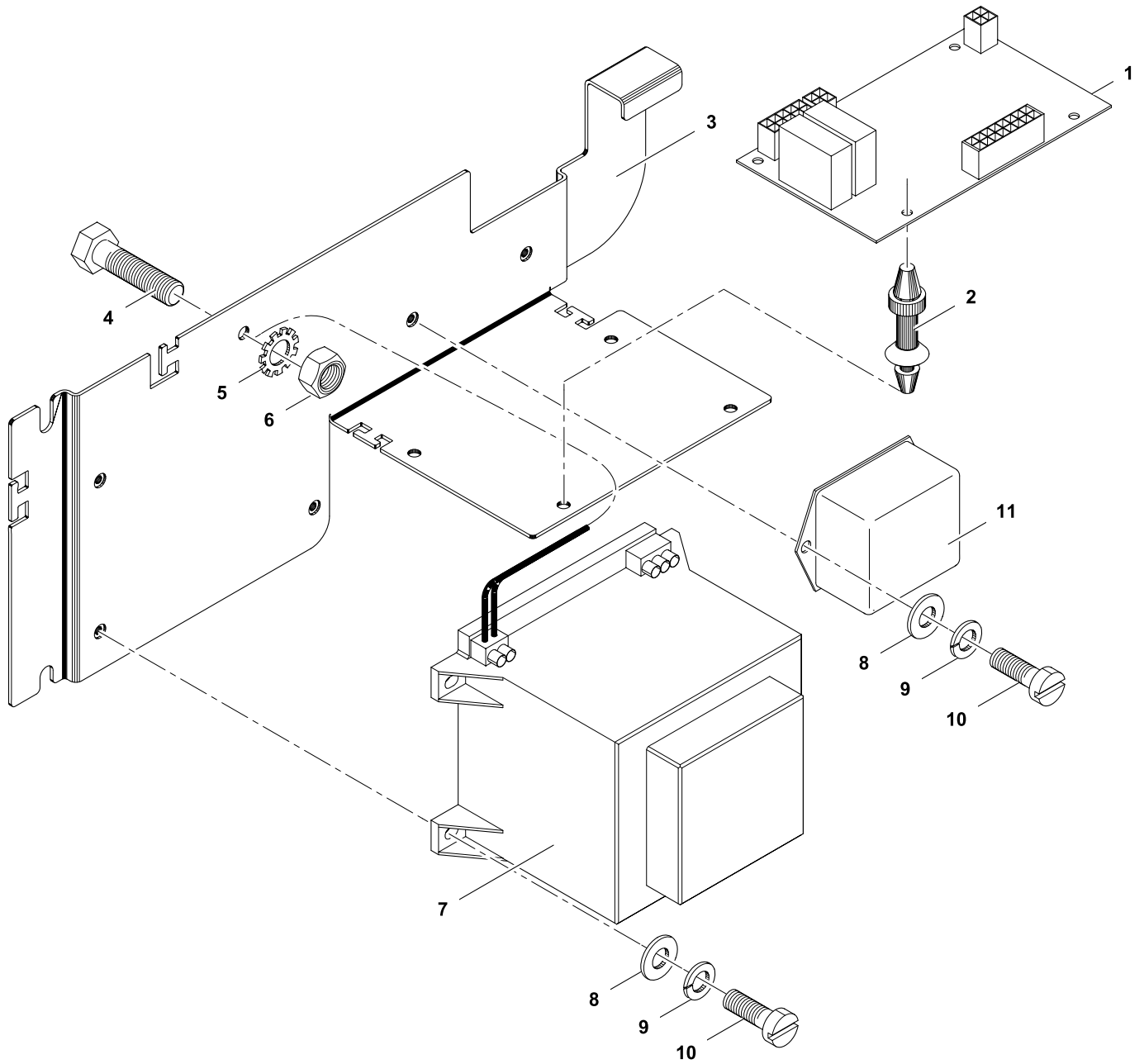
| 15 | Alias | Code | Bezeichnung | Description | Ref. | Valid from Serial N° |
|----|------------|--------|---|---|--------|----------------------|
| 1 | 879188.01 | * | Steuerträger standard PxxT | Support frame PxxT | | |
| | 879188.03 | * | Steuerträger Marine | Support frame PxxT Marine | Maine | |
| 2 | 879015 | OG5908 | Motherboard COP20 | Motherboard COP20 | | until 9051... |
| | 879241 | OG8953 | Motherboard COP70 | Motherboard COP70 | | 9061... |
| 3 | 879190 | OG6638 | Jumper Core Temp | Jumper Core Temp | | |
| 4 | 1 701 3057 | 0U0182 | Sechskantmutter M3 | Hexs nut M3 | | |
| 5 | 1 701 3540 | 0K1478 | Unterlegscheibe M3 | Washer M3 | | |
| 6 | 76.3011.03 | OG3094 | Distanzhalter 12mm | Spacer 12mm | | |
| 7 | 879036 | OG5910 | Transformator PMA 70VA 230V-12/24V | Transformer PMA 70VA 230V-12/24V | | |
| | 879203 | OG6879 | Transf. 0-230-400-440/10.5-24V 150VA +PTC | Transf. 0-230-400-440/10.5-24V 150VA +PTC | Marine | |
| 8 | 1 701 3502 | OG3595 | Unterlegscheibe M4 | Washer M4 | | |

| 15 | Alias | Code | Bezeichnung | Description | Ref. | Valid from Serial N° |
|-----|---------------|--------|--|--|-----------------|----------------------|
| 9 | 1 701 3004 | OK4606 | Sechskantmutter M4 | Hex nut M4 | | |
| 10 | 76.9165.01 | OG2114 | Wendeschütz | Thermal overload relay | PBOTxxR | |
| 11 | 75.2011.01 | OKT730 | Schutzleiterklemme 4mm ² | Ground conductor terminal 4mm ² | | |
| 12 | 75.2010.11 | OKT733 | Nullleiterklemme 4mm ² blau | Neutral wire terminal 4mm ² blue | | |
| 13 | 75.2010.12 | OT2598 | Abschlusswand | Cover | | |
| 14 | 75.2010.10 | OKT734 | Reihenklemme 4mm ² grau | Terminal block 4mm ² grey | | |
| 15 | 75.2010.14 | OG5735 | Querverbinder | Cross connection | | |
| 16 | 76.9527.01 | OG3940 | Sicherungsklemme 10mm ² | Fuse holder terminal 10mm ² | | |
| 16a | 76.9527.02 | OG4585 | Abschlusswand zu Sicherungsklemme | Cover for fuse holder terminal | | |
| 17 | 712 344362.01 | OG5814 | Sicherung 5x20 1AF | Fuse 5x20 1AF | | |
| 18 | 75.2011.03 | OKX291 | Schutzleiterklemme 16mm ² | Ground conductor terminal 16mm ² | | |
| | 75.2011.04 | OG8037 | Schutzleiterklemme 35mm ² | Ground conductor terminal 35mm ² | 200L-500L | 7411... |
| 19 | 75.2011.02 | OKT729 | Schutzleiterklemme 10mm ² | Ground conductor terminal 10mm ² | 60L-150L | |
| 20 | 75.2010.41 | OG3488 | Nullleiterklemme 16mm ² blau | Neutral wire terminal 16mm ² blue | | |
| | 75.2010.51 | OG8036 | Nullleiterklemme 35mm ² blau | Neutral wire terminal 35mm ² blue | 200L-500L | 7411... |
| 21 | 75.2010.31 | OG3495 | Nullleiterklemme 10mm ² grün | Neutral wire terminal 10mm ² green | 60L-150L | |
| 22 | 75.2010.40 | OKI280 | Reihenblock 16mm ² beige | Terminal block 16mm ² beige | | |
| | 75.2010.50 | OG8035 | Reihenblock 35mm ² beige | Terminal block 35mm ² beige | 200L-500L | 7411... |
| 23 | 75.2010.30 | OKT732 | Reihenblock 10mm ² grau | Terminal block 10mm ² grey | 60L-150L | |
| 24 | 75.2010.34 | OG3339 | Querverbinder | Cross connection | 60L-150L | |
| 25 | 75.2010.44 | OKT731 | Querverbinder | Cross connection | 200L-500L | |
| 26 | 75.2013 | OKX290 | Arretierstück | Fixation | | |
| 27 | 76.9482 | OG3933 | Relais 12V | Relay 12V | | |
| | 76.9483 | OG4009 | Relais 230V UL | Relay 230V UL | PBOTxxW | |
| 28 | 1 115 1758 | OG4646 | Schütz K3-24X022 | Contactactor K3-24X022 | 200L-500L | |
| 29 | 1 115 1757 | OG4645 | Schütz K3-14X027 + K2-E230 | Contactactor K3-14X027 + K2-E230 | 60L-150L | |
| 30 | 76.9011.01 | * | Klemmschiene | Clamp rail | | |
| 30a | 12.1980 | OG4391 | Unterlegscheibe M5 | Washer M5 | | |
| 31 | 82.9177 | OTTW84 | Sicherungsklemme 6.3X32 500V | Fuse holder terminal | Marine 400/440V | |
| 32 | 82.9171 | OTTR73 | Sicherung 6.3x32 0.63A 500V | Fuse 6.3x32 0.63A 500V | Marine 400/440V | |
| | 76.9117.05 | OG5927 | Litze Haupterdraht | Litz wire earthing | 60L-150L | |
| | 76.9117.03 | * | Litze Haupterdraht | Litz wire earthing | 200L-500L | |
| | 87.9006 | OG5922 | Kabel: COP20 - Schützen STB | Cable: COP20 - Conductors STB | | |
| | 87.9037 | OG5923 | Kabel: N - Trafo - P | Cable: N - Transformator - P | PBOTxxE | |
| | 87.9077 | OG5924 | Kabel: N - Trafo - P (Notaus) | Cable: N - Transformator - P (emerg. stop) | PBOTxxR | |
| | 87.9038 | OG5926 | Kabel: Klemmen - Schützen (RW) | Cable: Terminal - conductor (stirrer) | PBOTxxR | |
| | 87.9039 | OG5925 | Kabel: Klemmen - Schützen | Cable: Terminal - conductor | | |
| | 87.9064 | OG5953 | Kabel Rührwerk | Cable stirrer | PBOTxxR | |
| | 87.9083.02 | OG5928 | Kabel: X0-X1 Hauptzuleitung 4mm ² | Cable: X0 - X1 mains connection 4mm ² | 60L | |
| | 87.9083.03 | OG5929 | Kabel: X0-X1 Hauptzuleitung 6mm ² | Cable: X0 - X1 mains connection 6mm ² | 100L/150L | |
| | 87.9083.04 | OG5954 | Kabel: X0-X1 Hauptzuleitung 10mm ² | Cable: X0 - X1 mains connection 10mm ² | 200L/300L | |
| | 87.9083.05 | OG5955 | Kabel: X0-X1 Hauptzuleitung 16mm ² | Cable: X0 - X1 mains connection 16mm ² | 400L/500L | |
| | 82.2809 | OC0068 | Kabelverschraubung PG21 | Cable gland PG21 | 60L-150L | |
| | 87.9212 | OG7277 | Kabelverschraubung PG29 | Cable gland PG29 | 200L-500L | |
| | 87.7134 | | EMV Kabelverschraubung M25 | EMV Cable gland M25 | PBOTxxW | |
| | 87.7147 | | Kabelverschraubung M16 | Cable gland M16 | PBOTxxW | |
| | 87.9228 | | Kabel: Rührwerk variabel | Cable: Stirrer variable | PBOTxxW | |
| | 87.9231 | OG8000 | Frequenzumformer 4kW | Frequency converter 4kW | PBOTxxW | |
| | 87.9229.02 | OG7998 | Kabel: Inverter-Motor variabel 4mm ² | Cable: Inverter-Motor variabel 4mm ² | PBOTxxW | |
| | 87.9230.02 | | Kabel: Motorschutzschalter variabel 4mm ² | Cable: Motor circuit breaker variable 4mm ² | PBOTxxW | |
| | 87.9236 | OG7999 | Kabel: Thermoelement Motor | Cable: Thermocouple Motoer | PBOTxxW | |
| 33 | 75.2010.20 | OG7080 | Reihenblock grau | Terminal block grey | | 9061... |
| 34 | 75.2010.21 | OG3489 | Nullleiterklemme blau | Neutral wire terminal blue | | 9061... |
| 35 | 75.2011.01 | OKT730 | Schutzleiterklemme G/G | Ground conductor terminal G/G | | 9061... |
| | 1 115 1783 | OG6228 | Filter FN2060 | Filter FN2060 | | 9061... |

* Components on demand
* Teile auf Anfrage

Doc. № 599A2B700 / 87.8020.02

Page: 27



| 16 | Alias | Code | Bezeichnung | Description | Ref. | Valid from Serial N° |
|----|---------------|--------|---|---|--------------------|----------------------|
| | 879140.01 | 0G6367 | Kippsteuerung kompl. 230-240V | Tilting control assembled 230-240V | | 3401... |
| | 879140.06 | 0G6864 | Kippsteuerung kompl. 440V | Tilting control assembled 440V | Marine 400/440V | 5011... |
| | 76.9000.01.KD | 0G6016 | Kippsteuerung kompl. xxT94 | Tilting kontrol xxT94 | | |
| 1 | 879116 | 0G6266 | Kippsteuerung 7CA24VE1 SIR | Tilting control 7CA24VE1 SIR | | 3401... |
| 2 | 75.5000.05 | 0G4212 | Distanzhalter | Spacer | | |
| 3 | 879133 | * | Halter Kippsteuerung | Support tilting control | | 3401... |
| 4 | 1 701 2567 | 0KE185 | Sechskantschraube M5x20 | Hex bolt M5x20 | | |
| 5 | 1 701 7002 | 0G2923 | Fächerscheibe M5 | Fan washer M5 | | |
| 6 | 1 701 3008 | 0G6111 | Sechskantmutter M5x0.8D | Hex nut M5x0.8D | | |
| 7 | 879121 | 0G6273 | Transformator 230V AC | Transformer 230V AC | | |
| | 879143 | 0G6865 | Transformator 440V AC | Transformer 440V AC | Marine 400/440V | |
| 8 | 1 701 3502 | 0G3595 | Unterlegscheibe M4 | Washer | | |
| 9 | 1 701 5002 | 0KL273 | Federring M4 | Spring washer | | |
| 10 | 1 701 2023 | 0G6863 | Zylinderschraube M4x12 | Allen screw | | |
| 11 | 1 115 1783 | 0G6228 | EMV Filter | EMC filter | | |
| | 879182 | 0G6866 | Kabel: Trafo - Steuerelektronik (Filter) | Cable: tranformer - tilt control (with EMC filter) | | |
| | 879119 | 0G6391 | Kabel: Trafo - Steuerelektronik (ohne Filter) | Cable: tranformer - tilt control (without EMC filter) | Marine 400/440V | |
| | 76.9123 | 0G5919 | Kabel: Thermoelement - Motor | Cable: Thermocouple - motor | | |
| | 879089 | 0G5932 | Kabel: X2 - Kippung | Cable: X2 - tilting | | |
| | 879083.01 | 0G5931 | Kabel: X0 - X1 Hauptzuleitung | Cable: X0 - X1 mains connection | | |