

DE	PBOT-E/R	KIPPKOCHKESSEL, ELEKTRISCH, RUND
EN	PBOT-E/R	TILTING BOILING PAN, ELECTRIC, ROUND

Page	Baugruppe	Assembly group	Models
2	Kessel	Kettle	PBOT-E/R
4	Magnetschalter	Solenoid swith	PBOT-R
5	Auslaufhahn	Drain tap	PBOT-E/R
6	Deckel	Lid	PBOT-E/R
8	Rührwerk	Stirring system	PBOT-R
11	Füsse	Feet	PBOT-E/R
12	Achse	Shaft	PBOT-E/R
14	Schalterfront Steuerung	Switch panel control system	PBOT-E/R
16	Schalterfront Kippung	Switch panel tilting system	PBOT-E/R
17	Kippung	Tilting system	PBOT-E/R
18	Mischbatterie	Mixer tap	PBOT-E/R
20	Spray Gun	Spray gun	PBOT-E/R
22	Entlüftung	Dearation	PBOT-E/R
24	Dampferzeuger	Steam generator	PBOT-E/R
26	Steuerung	Control system	PBOT-E/R
28	Steuerung Kippmotor	Control system tilting motor	PBOT-E/R

Valid from Ser. № 3401....

Last Updates

 01/2015
 02/2015
 04/2016
 10/2016
 02/2017
 11/2017
 11/2017
 11/2017
 06/2018
 10/2018
 01/2019
 02/2019
 03/2019

Page

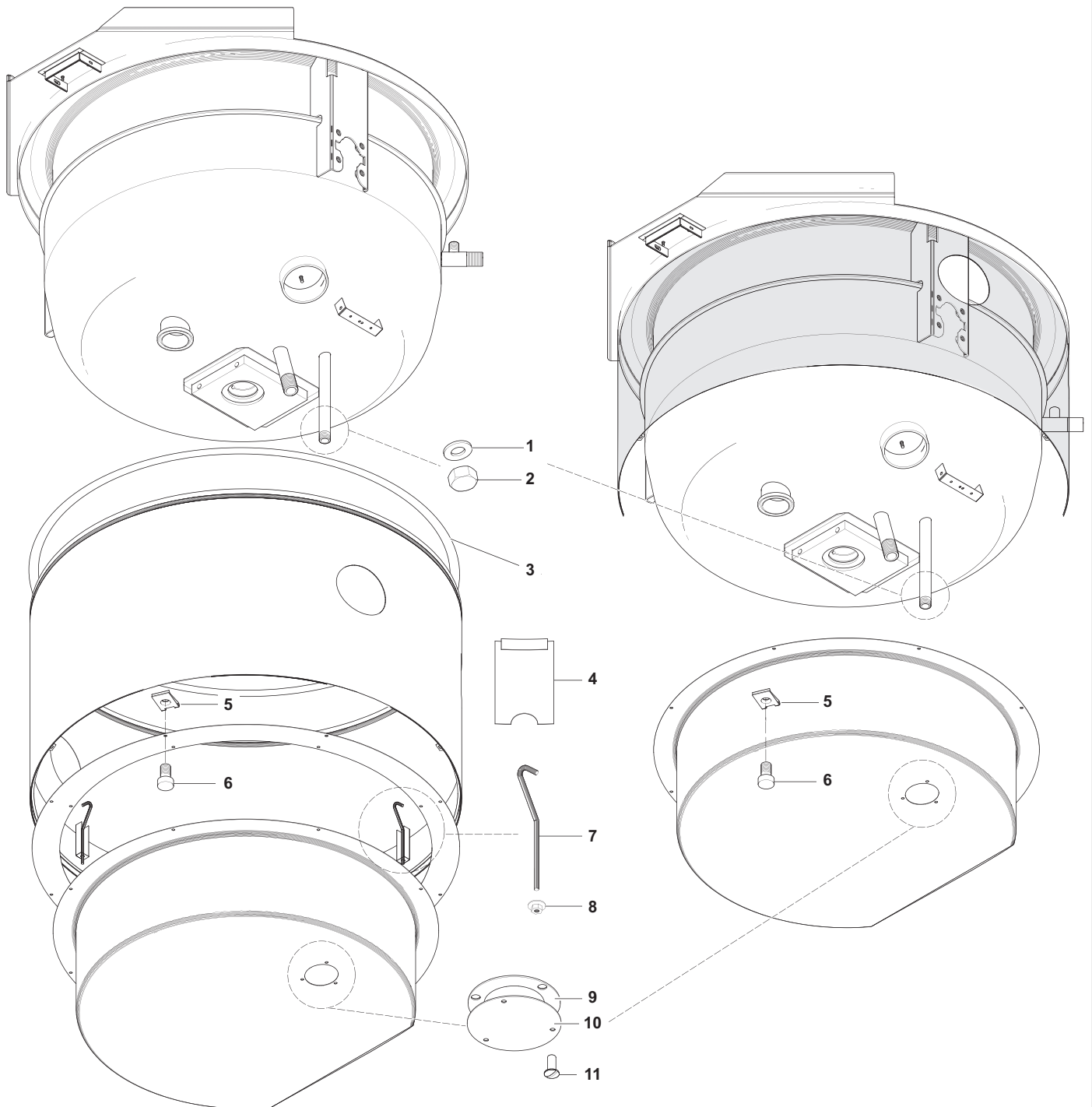
 all
 15, 21, 26
 all
 9
 5
 25
 13
 15
 8, 9
 2 / 3
 16 / 21
 26 / 27
 7

Pos.

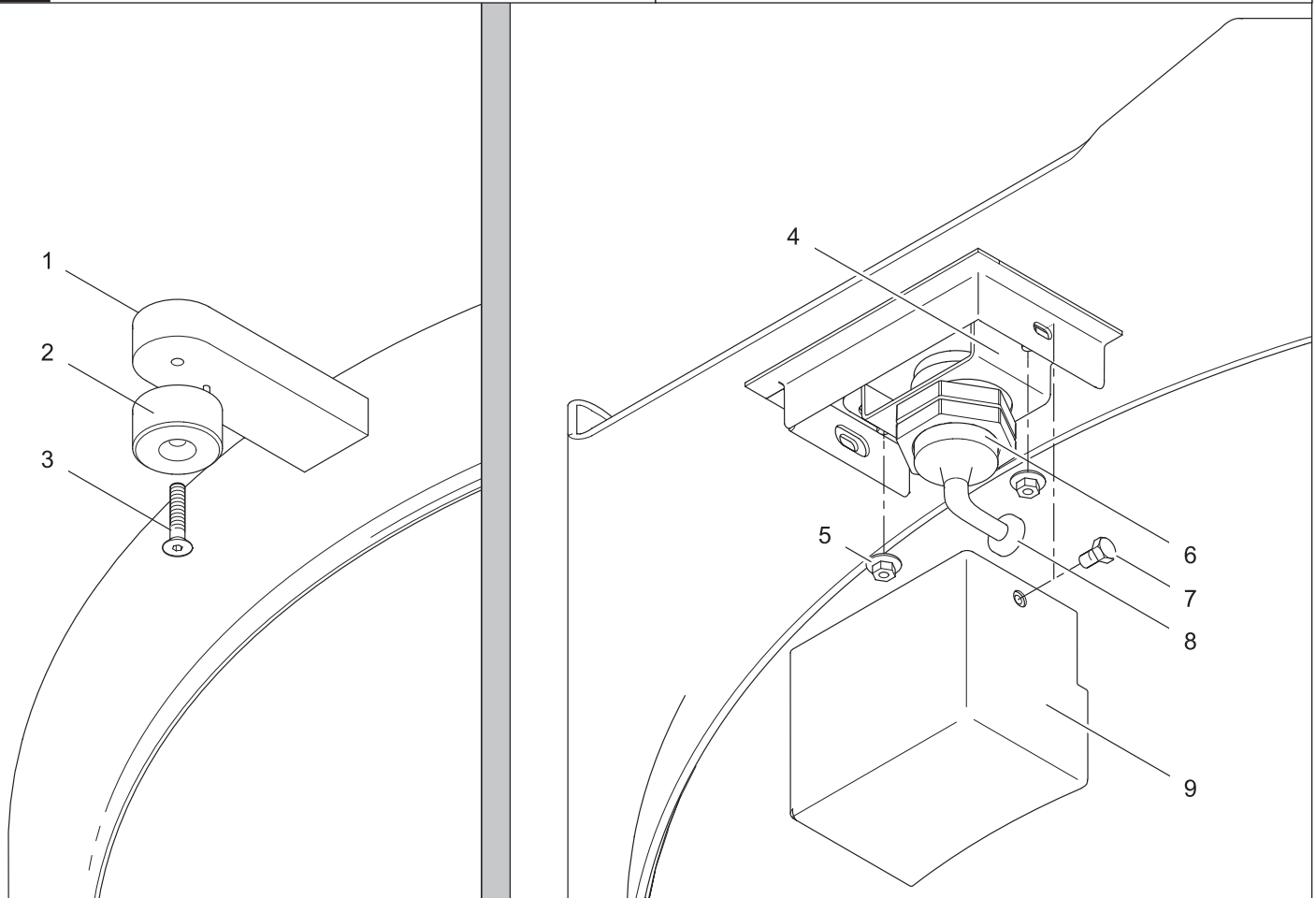
 18, 20, 22
 15 - cables
 8
 19, 20, 21, 22, 23
 drawing / 7, 8
 9 / from 6 to 13, 19
 2 / 33, 34, 35
 3b

PBOT 200L/300L/400L/500L

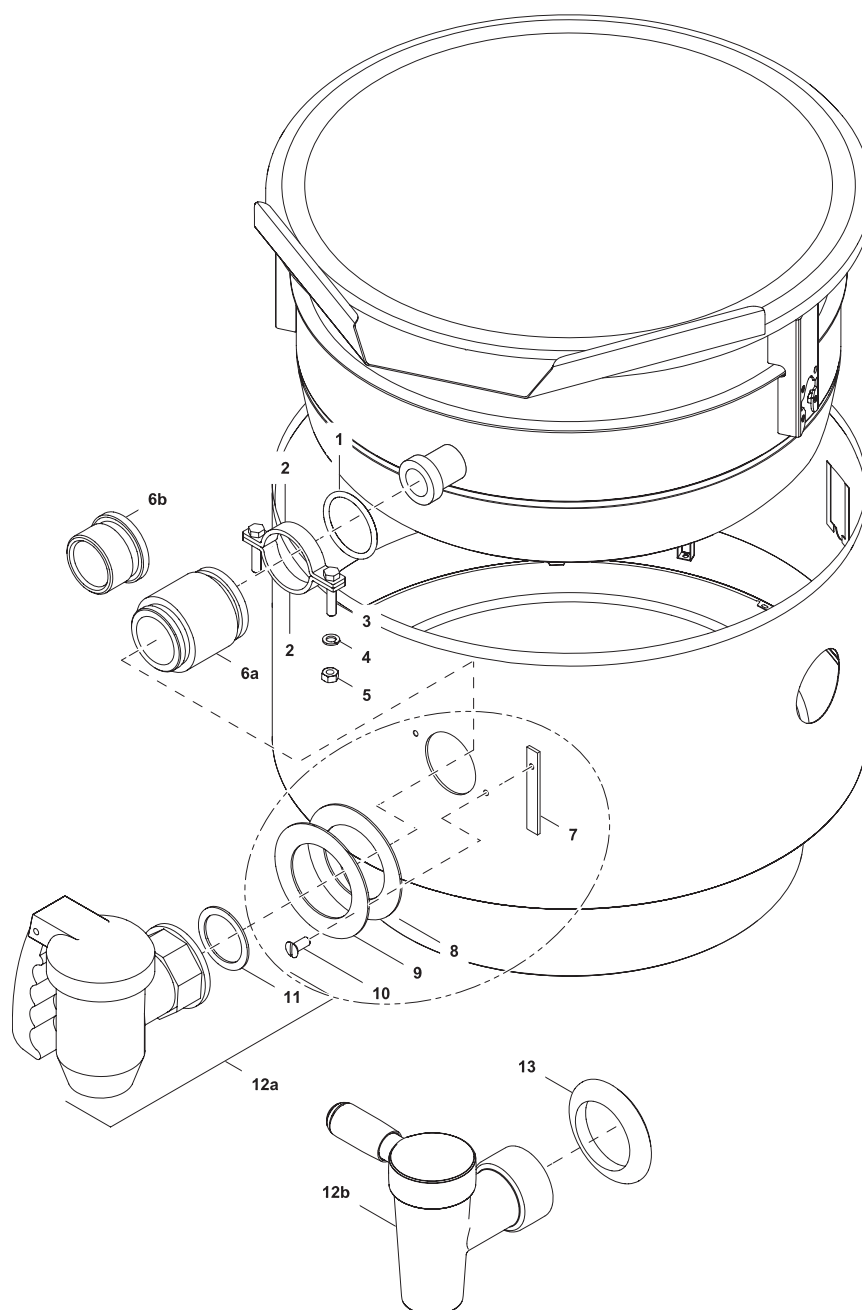
PBOT 60L/100L/150L



1	Alias	Code	Bezeichnung	Description	Ref.	Valid from Serial N°
1	712 044481.21	OG3610	Dichtung	Joint		
2	712 344853.09	OKX151	Kappe	Cap		
3	712 044487	0KE110	Dichtungsschlauch 3m	Sealing hose 3m	60L-200L	
			Dichtungsschlauch 4m	Sealing hose 4m	300-500L	
4	76.4080	OG4067	Deckel Außenmantel	Mantle cover		
5	712 044121.01	OG3647	Blechmutter	Sheet nut		
6	1 701 7507	OG2603	Blechschaube 4.8x17	sheet screw		
	1 701 7535	OK4631	Blechschaube 4.8x9.5	sheet screw		
7	76.202901	OG3215	Haken	Hook	60L	until 8371...
	76.202911	OG6827	Haken	Hook	60L	until 8371...
	76.202902	OG6828	Haken	Hook	100L	until 8371...
	76.202912	OG6829	Haken	Hook	100L	until 8371...
	76.202903	OG3128	Haken	Hook	300-500L	
	76.202913	OG6830	Haken	Hook	300-500L	
	76.202904	OG6831	Haken	Hook	200L	
	76.202914	OG6832	Haken	Hook	200L	
8	712 044120.06	OG3997	Kepsmutter M6	Keps nut M6	from 200L to 500L	
9	71.1234	OG3175	Flachdichtung	Flat seal		
10	76.4194	OG3216	Deckel	Cover		
11	10 3179	OG4216	Linsenkopfschraube M5x12	Lenshead screw M5x12		

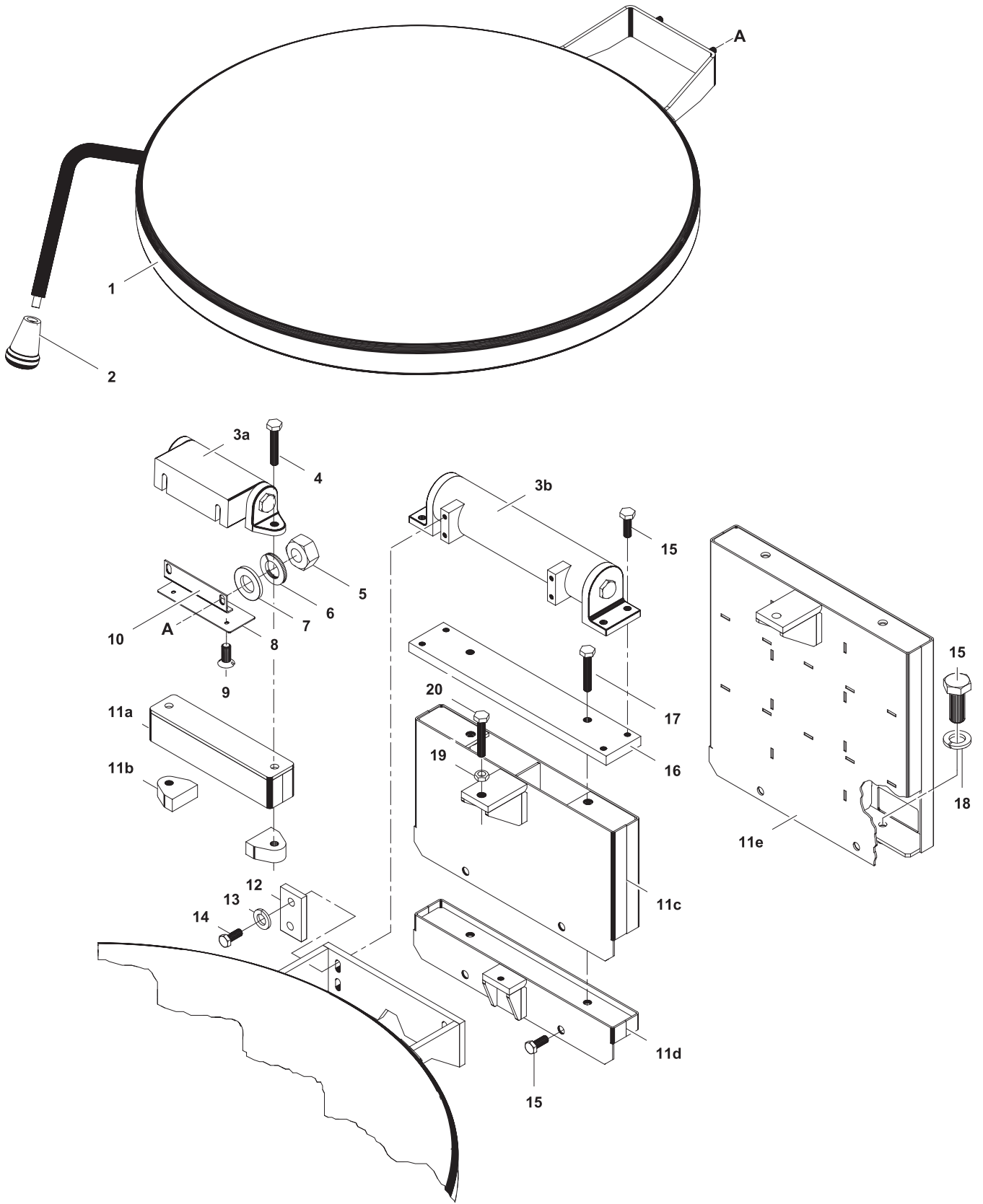


2	Alias	Code	Bezeichnung	Description	Ref.	Valid from Serial N°
1	76.4171.11	*	Deckel RW 60L	Lid Stirrer 60L	PBOT06R	
	76.4171.13	*	Deckel RW 100L	Lid Stirrer 100L	PBOT10R	
	76.4171.14	*	Deckel RW 150L	Lid Stirrer 150L	PBOT15R	
	76.4176.11	*	Deckel RW 200L	Lid Stirrer 200L	PBOT20R	
	76.4176.12	*	Deckel RW 300L	Lid Stirrer 300L	PBOT30R	
	76.4176.13	*	Deckel RW 400L	Lid Stirrer 400L	PBOT40R	
	76.4176.14	*	Deckel RW 500L	Lid Stirrer 500L	PBOT50R	
2	76.9345.02	0U0179	Magneteinsatz	Magnet insert	PBOT-R	
3	1 701 1072	0G6833	Senkschraube M5x25	Countersunk bolt	PBOT-R	
4	76.4597	*	Halter Sicherheitsschalter	Support safety switch	PBOT-R	
5	712 044120.04	0G4918	Kepsmutter M4	Keps nut M4	PBOT-R	
6	76.9345.01	0U0178	Magnetschutzschalter	Solenoid switch	PBOT-R	
7	1 701 2503	0G5490	Sechskantscharube M4x8	Hex bolt M4x8	PBOT-R	
8	1 103 1594	0G3780	Kabeltülle Ø10/Ø6x12	Cable sleeve Ø10/Ø6x12	PBOT-R	
9	76.4600	*	Abdeckung	Cover	PBOT-R	
	76.4601	*	Abdeckung	Cover	PBOT-R	

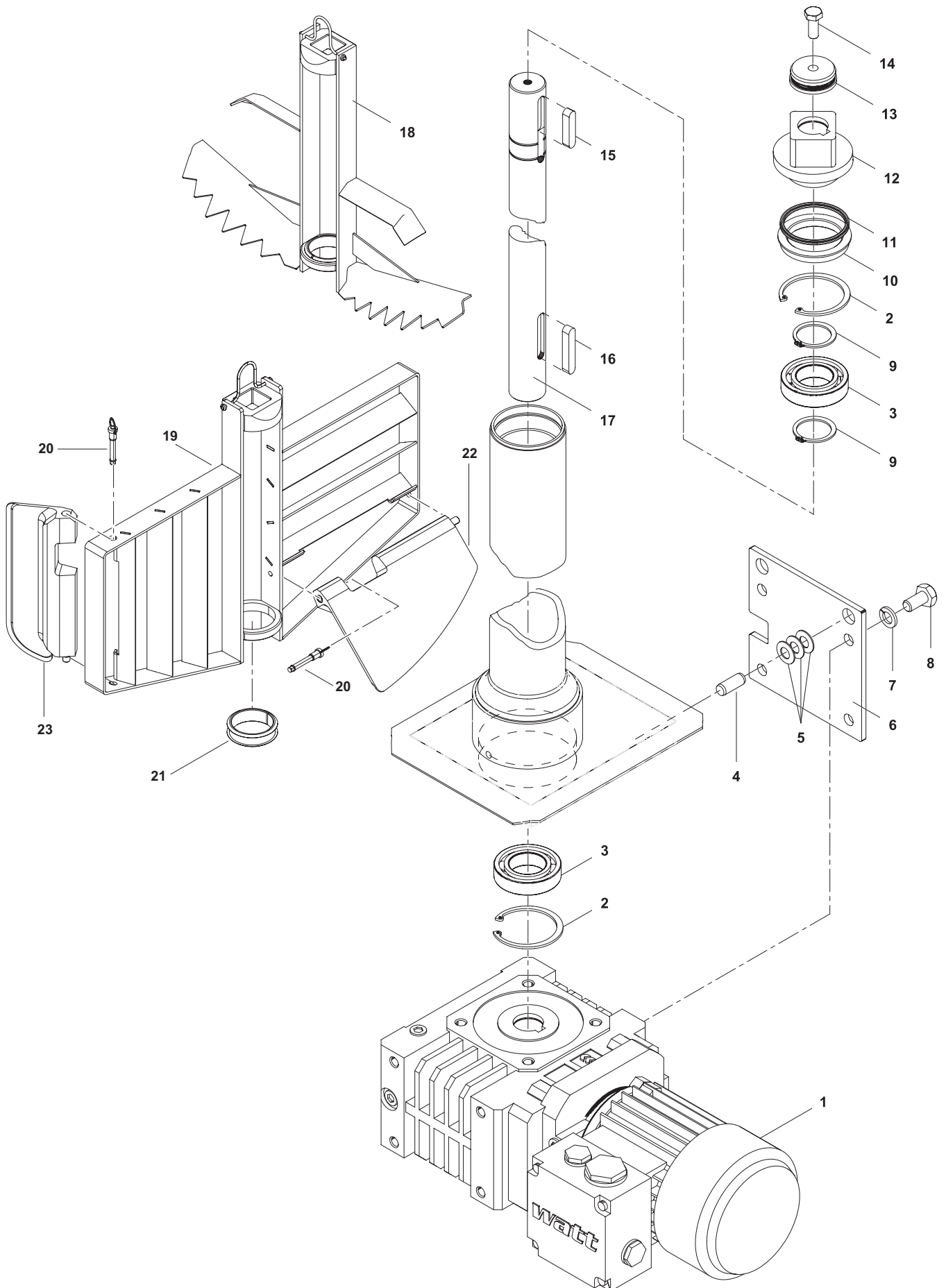


3	Alias	Code	Bezeichnung	Description	Ref.	Valid from Serial N°
1	713 042130	OK5557	Dichtungsring	Sealing ring		
2	713 842019	OG3855	Klammer mit Schrauben (1/2 Klammer)	Bride with screws (1/2 bride)		
3	713 842019.96	OG6837	Klammer (1/2 Klammer)	Bride (1/2 bride)		
4	1 701 5008	OKL250	Federring M8	Spring washer M8		
5	1 701 3044	OK4612	Sechskantmutter M8	Hex nut M8		
6a	76.3194	OG2540	Kupplungsstutzen 2" RUBINETTERIE	Female connector 2" RUBINETTERIE		
6b	713 042131	OK8856	Kupplungsstutzen 2" ECHTERMANN	Female connector 2" ECHTERMANN		
7	71.1235	OG4166	Gewindeplatte M4	Threaded plate M4		
8	71.1234	OG3175	Flachdichtung Ø110/72/2	Flat seal Ø110/72/2		
9	71.1233	OG4167	Hahnrosette	Round anchor plate		
10	1 701 1504	OKX205	Schraube M4x8	Screw M4x8		
11	1 101 2191	004986	Dichtungsring Ø60 ø47x2 RUBINETTERIE	Sealing ring Ø60 ø47x2 RUBINETTERIE		
12a	1 117 1258	OG5144	Sicherheitsauslaufhahn 2" RUBINETTERIE	Drain cock 2" + safety valve RUBINETTERIE		
12b	1 117 1117	OH6425	Auslaufhahn ECHTERMANN 6722.80 2"	Drain cock ECHTERMANN 6722.80 2"		
	87.7055	OG6498	Auslaufhahn ECHTERMANN 6726.82 2"	Drain cock ECHTERMANN 6726.82 2"		
13	87.7122		Dichtmanschette Auslaufhahn	Sealing gaiter drain cock		7031...

* Components on demand
* Teile auf Anfrage



4	Alias	Code	Bezeichnung	Description	Ref.	Valid from Serial N°
1	76.4171.01	OG5737	Deckel 60L	Lid 60L	PBOT06E	
	76.4506.01	*	Deckel 60L/ 800mm Gerätetiefe	Lid 60L/ 800mm appliance depth	PBOT06E; D=800	
	76.4171.03	OG3054	Deckel 100L	Lid 100L	PBOT10E	
	76.4171.04	*	Deckel 150L	Lid 150L	PBOT15E	
	76.4176.01	OKV478	Deckel 200L	Lid 200L	PBOT20E	
	76.4176.02	OG3781	Deckel 300L	Lid 300L	PBOT30E	
	76.4176.03	OKX130	Deckel 400L	Lid 400L	PBOT40E	
	76.4171.11	*	Deckel RW 60L	Lid Stirrer 60L	PBOT06R	
	76.4171.13	*	Deckel RW 100L	Lid Stirrer 100L	PBOT10R	
	76.4171.14	*	Deckel RW 150L	Lid Stirrer 150L	PBOT15R	
	76.4176.11	*	Deckel RW 200L	Lid Stirrer 200L	PBOT20R	
	76.4176.12	*	Deckel RW 300L	Lid Stirrer 300L	PBOT30R	
	76.4176.13	*	Deckel RW 400L	Lid Stirrer 400L	PBOT40R	
	76.4176.14	*	Deckel RW 500L	Lid Stirrer 500L	PBOT50R	
2	86.3253	OG6631	Griff Deckel	Handle lid		
3a	70.0750.05	OK5242	Drehgelenk	Pivot joint	60L	
	70.0750.06	OK5244	Drehgelenk	Pivot joint	100L/150L	
3b	71.0454.01	OK5250	Drehgelenk	Pivot joint	200L	
	71.0454.01	OK5250	Drehgelenk	Pivot joint	300L/400L/500L	until 9151...
	71.0454.04	OG8579	Drehgelenk	Pivot joint	300L/400L/500L	9161...
4	1 701 2545	OKI475	Sechskantschraube M10 x 50	Hex bolt M10 x 50	60L/100L	
	1 701 2609	OG6835	Sechskantschraube M10 x 80	Hex bolt M10 x 80	150L	
5	1 701 3044	OK4612	Sechskantmutter M8	Hex nut M8	60L/100L/150L	
6	1 701 5008	OKL250	Federring M8	Spring washer M8	60L/100L/150L	
7	1 701 3513	OG6088	Unterlegscheibe 8,4 x 7,0 x 1,6	Washer 8,4 x 7,0 x 1,6	60L/100L/150L	
8	70.0765.01	OKL252	Abdeckblech Drehgelenk	Cover plate for pivot joint	60L/100L/150L	
9	1 701 1541	OG3674	Becherschraube M4 x 10	Slotted bolt M4 x 10	60L/100L/150L	
10	70.0764	OKL251	Winkel zu Drehgelenk	Angle for pivot joint	60L/100L/150L	
11a	87.2067	*	Ständer zu Drehgelenk 150L	Support for pivot joint 150L	150L	
11b	87.2174	*	Unterlage zu Drehgelenk 60L/100L	Base plate for pivot joint 60L/100L	60L/100L	
11c	76.2022.02	*	Ständer zu Drehgelenk 400L	Support for pivot joint 400L	400L	
11d	76.2022.01	*	Ständer zu Drehgelenk 300L	Support for pivot joint 300L	300L	
11e	76.2504	*	Ständer zu Drehgelenk 500L	Support for pivot joint 500L	500L	
12	71.0455	OKL255	Unterlage	Base plate	200L/300L/400L/500L	
13	1 701 5008	OKL250	Federring M8	Spring washer M8	200L/300L/400L/500L	
14	1 701 2616	OKT918	Sechskantschraube M8 x 25	Hex bolt M8 x 25	200L/300L/400L/500L	
15	1 701 2541	OK4600	Sechskantschraube M10 x 25	Hex bolt M10 x 25	200L/300L/400L/500L	
16	71.0454.03	OKL256	Verbindungsplatte	Connection plate	200L/300L/400L/500L	
17	1 701 2543	OK4601	Sechskantschraube M10 x 35	Hex bolt M10 x 35	200L/400L	
	1 101 8188	OG6836	Sechskantschraube M10 x 60	Hex bolt M10 x 60	300L	
18	1 701 5040	OK4616	Federring M10	Spring washer M10	500L	
19	1 701 3062	OG6837	Sechskantmutter M12	Hex nut M12	300L/400L	
20	1 701 2549	OG6849	Sechskantschraube M12 X 35	Hex bolt M12 x 35	300L/400L	

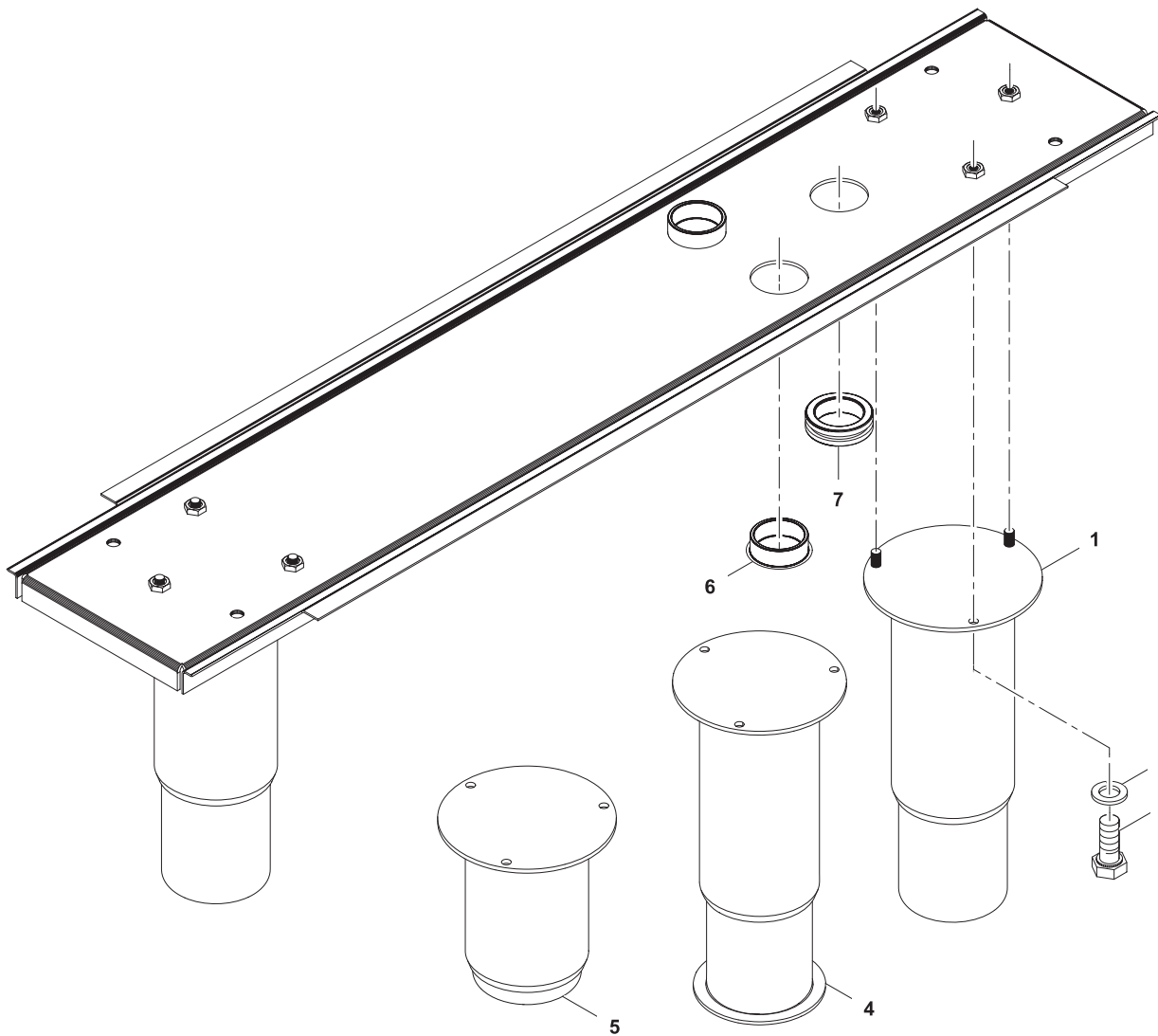


5	Alias	Code	Bezeichnung	Description	Ref.	Valid from Serial N°
1	76.3046.01	OG2112	Getriebemotor P=0.25kW	Gear motor P=0.25kW	PBOT06R	
	76.3047.01	OG2113	Getriebemotor P=0.37kW	Gear motor P=0.37kW	PBOT10-50R	
	87.7131	OG8001	Getriebemotor P=3.8kW	Gear motor: P=3.8kW	PBOT15-30W	
2	70.0809.03	OK6217	Sicherungsring Ø55	Circlip ring Ø55		
3	70.0808.03	OK5259	Rillenkugellager 30x55x13	Grooved ball bearing 30x55x13		
4	1 701 7095	OG3671	Zylinderstift Ø8x25	Dowel pin Ø8x25	PBOT06R	
	1 701 7096	OG3275	Zylinderstift Ø10x25	Dowel pin Ø20/Ø8.2x0.9	PBOT10-50R	
5	1 201 1931	OG3492	Tellerfeder Ø20/Ø8.2x0.9	Belleville washer Ø20/Ø8.2x0.9	PBOT06R	
	1 201 1932	OG3276	Tellerfeder Ø20/Ø10.2x1	Belleville washer Ø20/Ø10.2x1	PBOT10-50R	
6	76.4179	OG3665	Platte Motorbefestigung	Motor support	PBOT06R	
	76.4205	OG3773	Platte Motorbefestigung	Motor support	PBOT10-50R	
	87.2287		Platte Motorbefestigung	Motor support	PBOT15-30W	
7	1 701 5008	OKL250	Federring M8	Spring washer M8	PBOT06R	
	1 701 5040	OK4616	Federring M10	Spring washer M10	PBOT10-50R	
8	1 701 2525	OK4599	Sechskantschraube M8x16	Hex bolt M8x16	PBOT06R	
	1 701 1565	OG6838	Sechskantschraube M10x20	Hex bolt M10x20	PBOT10-50R	
9	70.0810.02	OK4547	Sicherungsring Ø30	Circlip ring Ø30		
10	76.4010	OK5587	Dichtungsring Ø60/45x8	Sealing ring Ø60/45x8	PBOT06-40R	
	86.2079	OG5125	Dichtungsring	Sealing ring	PBOT50R	
11	1 201 1933	OKG261	Dichtungsring Ø50.4x3.53	Sealing ring Ø50.4x3.53	PBOT06-40R	
	1 201 2084	*	Radial Wellendichtung		PBOT50R	
12	76.4009	OG6013	Wellenzapfen	Journal	PBOT06-40R	
	86.2078	OG5121	Wellenzapfen	Journal	PBOT50R	
13	76.4008	OK5588	Wellendeckel	Shaft end cap		
14	1 701 2570	OG5820	Sechskantschraube M8x20	Hex bolt M8x20		
15	70.0820.04	OKX276	Passfeder 8x7x45	Feather key 8x7x45	PBOT06-40R	
16	70.0820.02	OK6227	Passfeder 8x7x36	Feather key 8x7x36	PBOT06-50R	
	76.3572	*	Passfeder 8x7x80	Feather key 8x7x80	PBOT50R	
17	76.4669.03	OG4465	Welle Rührwerk 60L	Shaft stirrer 60L	PBOT06R	
	76.4669.05	OG4027	Welle Rührwerk 100L	Shaft stirrer 100L	PBOT10R	
	76.4669.07	OKV455	Welle Rührwerk 150L	Shaft stirrer 150L	PBOT15R	
	76.4669.08	OG4180	Welle Rührwerk 200L	Shaft stirrer 200L	PBOT20R	
	76.4669.09	OG4008	Welle Rührwerk 300L	Shaft stirrer 300L	PBOT30R	
	76.4669.10	OG4390	Welle Rührwerk 400L	Shaft stirrer 400L	PBOT40R	
	76.2495	OG7882	Welle Rührwerk 500L	Shaft stirrer 500L	PBOT50R	
18	87.2374.06		Ankerrührer 150L	Anchor stirrer 150L	PBOT15W	
	87.2374.07		Ankerrührer 200L	Anchor stirrer 200L	PBOT20W	
	87.2374.08		Ankerrührer 300L	Anchor stirrer 300L	PBOT30W	
	1 201 1547	OK4527	Kleber Loctite 243 (50mL)	Glue Loctite 243 (50mL)		
	1 201 1937	OG4569	Klüber UH1 84-201 Schmierpaste (600g)	Klüber UH1 84-201 lubrication (600g)		
	76.9123	OG5919	Kabel: Thermorelais - Motor	Cable: thermal relay - motor		
19	87.7130.03	OG8347	Giterrührer Ohne Abstreifer	Stirrer without scrapers	PBOT06	8291...
	87.7130.04	OG8348	Giterrührer Ohne Abstreifer	Stirrer without scrapers	PBOT10	8291...
	87.7130.05	OG8349	Giterrührer Ohne Abstreifer	Stirrer without scrapers	PBOX15	8291...
	87.7130.06	OG8350	Giterrührer Ohne Abstreifer	Stirrer without scrapers	PBOT20	8291...
	87.7130.07	OG8351	Giterrührer Ohne Abstreifer	Stirrer without scrapers	PBOT30	8291...
	87.7130.08	OG8352	Giterrührer Ohne Abstreifer	Stirrer without scrapers	PBOT40	8291...
	87.7130.09	OG8353	Giterrührer Ohne Abstreifer	Stirrer without scrapers	PBOT50	8291...
	76.0240.02		Giterrührer Ohne Abstreifer UL	Stirrer without scrapers UL	BOT100	Until 8281...
	76.0240.03		Giterrührer Ohne Abstreifer UL	Stirrer without scrapers UL	BOT150	Until 8281...
	76.0240.04		Giterrührer Ohne Abstreifer UL	Stirrer without scrapers UL	BOT200	Until 8281...
	76.0240.05		Giterrührer Ohne Abstreifer UL	Stirrer without scrapers UL	BOT300	Until 8281...
20	1 701 2789	OG5041	Kugelsperrbolzen	Lock pin		
21	76.0246	OG5766	Lagerbüchse	Bearing bush		
22	87.0249.01	OG8329	Abstreifer Horizontal	Horizontal scraper	PBOT06	8291...

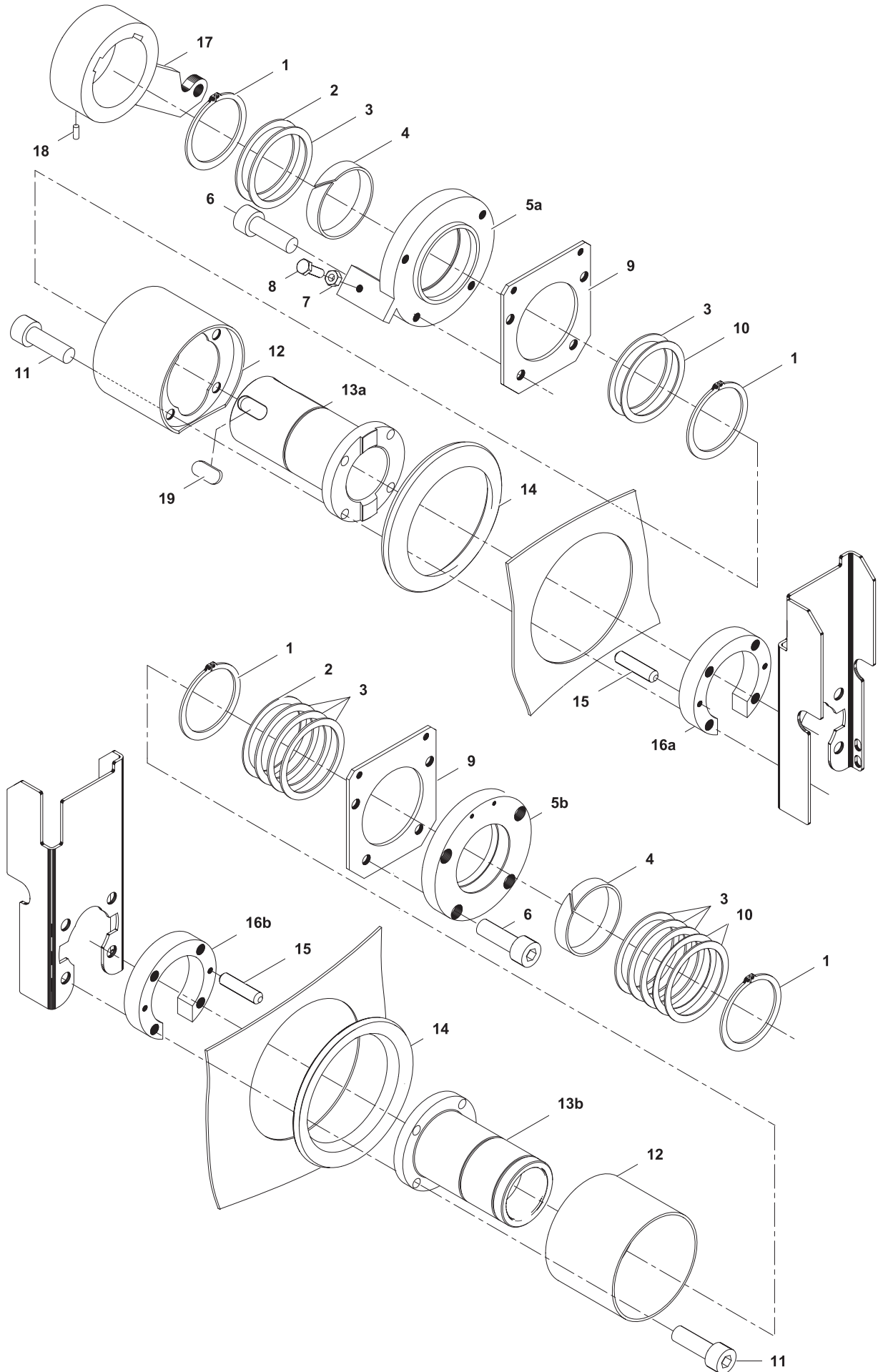
* Components on demand
* Teile auf Anfrage

Doc. № 599A2B700 / 87.8020.02

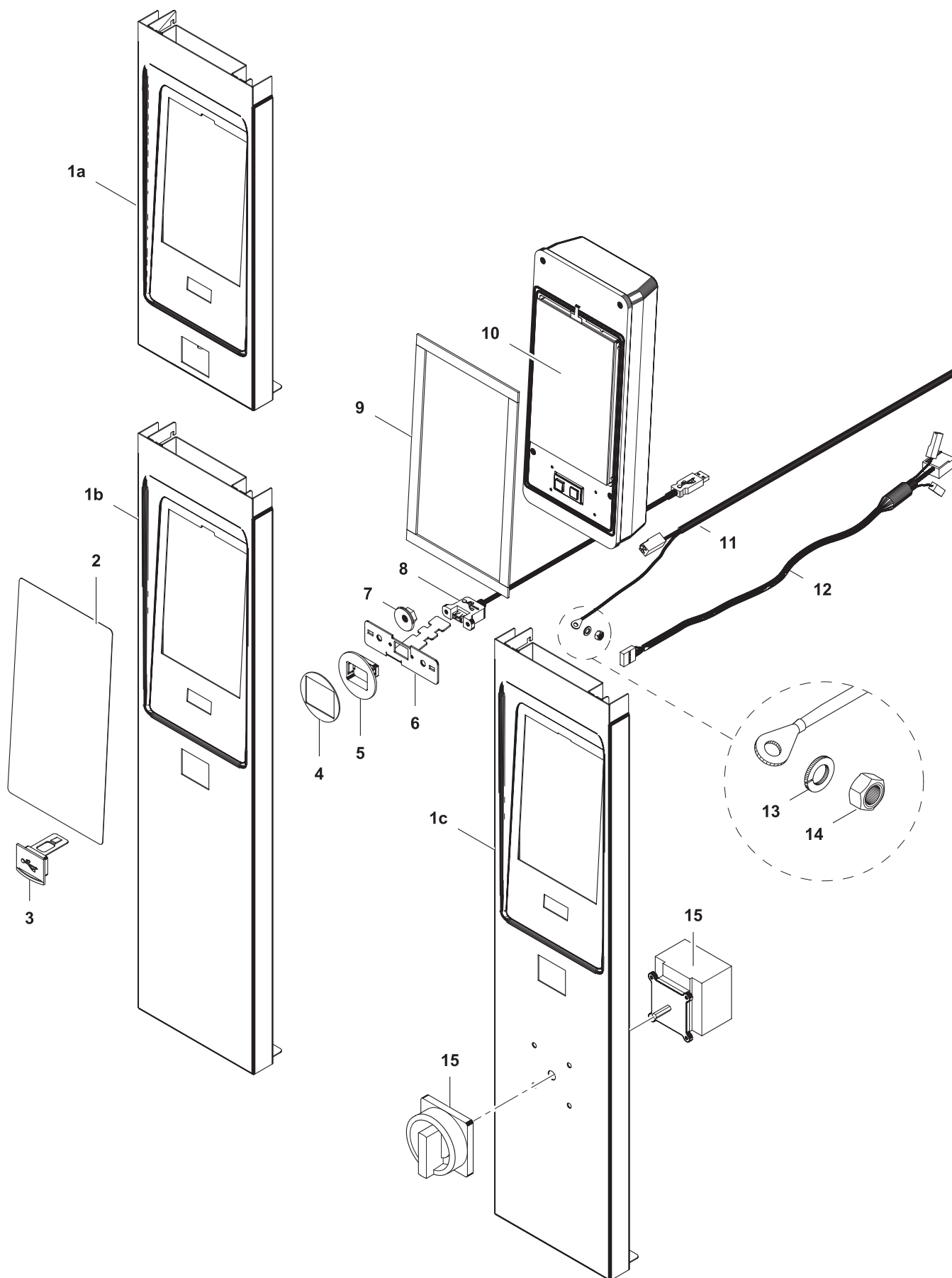
Page: 9



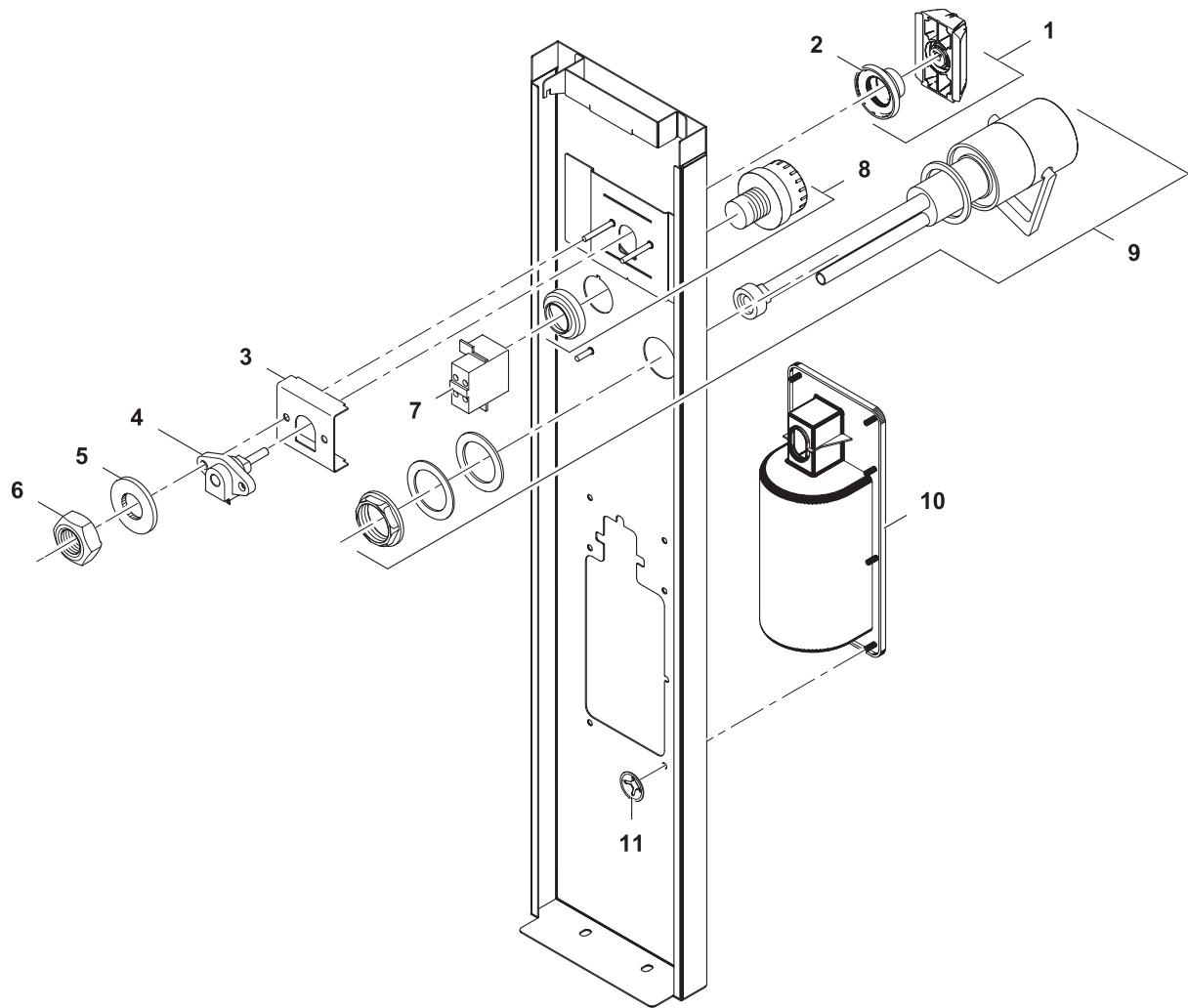
6	Alias	Code	Bezeichnung	Description	Ref.	Valid from Serial N°
1	72.4249	059218	Stellfuss 2" H200	Adjustible feet 2" H200	Standard + UL H700	
2	1 701 5004	0H9734	Federscheibe M5	Spring washer M5		
3	1 701 2509	0K4598	Sechskantschraube M5x12	Hex bolt M5x12		
4	72.4250.01	0G7274	Stellfuss 2" Marine H200	Adjustible feet 2" Marine H200	Marine	
5	72.4344	0G2948	Stellfuss 2" H100	Adjustible feet 2" H100	Standard H800	
6	1 201 1925	0G7248	Abdeckkappe	Cover cap		
7	712 044961.17	OKT854	Kabeltülle Ø25 Ø31 Ø35 x 10	Cable sleeve Ø25 Ø31 Ø35 x 10		



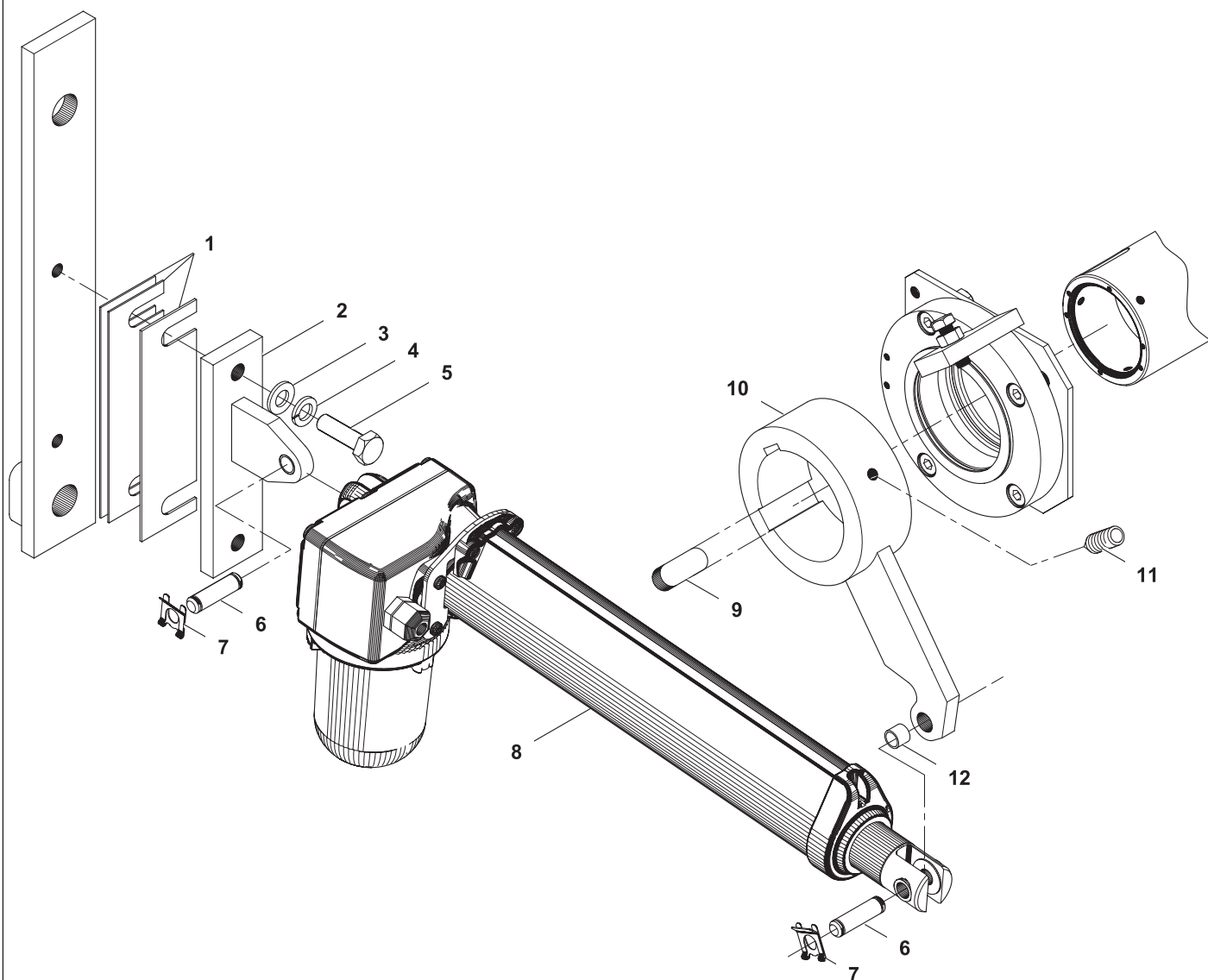
7	Alias	Code	Bezeichnung	Description	Ref.	Valid from Serial N°
1	1 701 5080	OKT913	Sicherungsring Ø70	Circlip ring Ø70		
2	76.4402	OKI520	Distanzscheibe	Spacer washer		
3	76.4037	OKI519	Distanzscheibe	Spacer washer		
4	76.3002	OKI517	Lagerband	Bearing strip		
5a	76.4425	OG4680	Lagerhalter links	Bearing retainer left		
5b	76.4337	OKT703	Lagerhalter rechts	Bearing retainer right		
6	1 701 2631	OKT916	Innensechskantschraube M8x25	Allen bolt M8x25		
7	1 701 3044	OK4612	Sechskantmutter M8	Hex nut M8		
8	1 701 2616	OKT918	Sechskantschraube M8x25	Hex bolt M8x25		
9	76.4341	OG4726	Gegenhalter	Counter support		
10	76.4038	OKT707	Stützscheibe	Retaining washer		
11	1 101 8148	OG2970	Innensechskantschraube M10x50	Allen bolt M10x50	100L	
	1 701 1073	OG4678	Innensechskantschraube M10x60	Allen bolt M10x60	60L	
	1 701 1074	OG4679	Innensechskantschraube M10x70	Allen bolt M10x70	150L - 500L	
12	76.4102.01	OG3135	Abdeckung Lagerzapfen	Cover bearing spigot	100L	
	76.4102.02	OG4677	Abdeckung Lagerzapfen	Cover bearing spigot	150L - 500L	
	76.4102.04	OG4675	Abdeckung Lagerzapfen	Cover bearing spigot	60L	
13a	76.4526	OG3046	Lagerzapfen links	Bearing spigot left		
13b	76.4111	OKT705	Lagerzapfen rechts	Bearing spigot right		
14	76.3004	OKI521	Dichtmanschette	Sealing sleeve		
15	1 701 7058	OG6089	Schwerspannstift 6x26	Spring pin 6x26		
16a	76.4530.01	OG3498	Zwischenring links 20mm	Spacer bracket left 20mm	100L - 500L	
	76.4530.02	OG6420	Zwischenring links 30mm	Spacer bracket left 30mm	60L	
16b	76.4031.01	OKT709	Zwischenring rechts 20mm	Spacer bracket right 20mm	100L - 500L	
	76.4031.02	OKT708	Zwischenring rechts 30mm	Spacer bracket right 30mm	60L	
17	76.4362		Kipphebel geschweisst	Tilting lever welded	D800/850	
	76.4022	OKW902	Kipphebel geschweisst	Tilting lever welded	D900/1000	
18	1 701 7094	OG4248	Gewindestift I-6kt M8x12	Allen setscrew M8x12		
19	1 201 1907	OKT929	Keilfeder 14x9x36	Feather key 14x9x36		



8	Alias	Code	Bezeichnung	Description	Ref.	Valid from Serial N°
1a	871013.03	OG7714	Steuerfront	UI panel	400H 800/900/1000 depth	
	871013.06	*	Steuerfront	UI panel	400H 850 depth	
1b	871013.01	*	Steuerfront	UI panel	700H 800/900/1000 depth	
	871013.02	*	Steuerfront	UI panel	800H 800/900/1000 depth	
	871013.04	*	Steuerfront	UI panel	700H 850 depth	
	871013.05	*	Steuerfront	UI panel	800H 850 depth	
1c	871013.07	*	Steuerfront mit Hauptschalter	UI panel with main switch	700H 800/900/1000 depth	
	871013.08	*	Steuerfront mit Hauptschalter	UI panel with main switch	800H 800/900/1000 depth	
	871013.09	*	Steuerfront mit Hauptschalter	UI panel with main switch	700H 850 depth	
	871013.10	*	Steuerfront mit Hauptschalter	UI panel with main switch	800H 850 depth	
	871013.15	*	Steuerfront mit Hauptschalter	UI panel with main switch	400H 900 depth (1000 depth)	
	871013.16	*	Steuerfront mit Hauptschalter	UI panel with main switch	700H 900 depth (1000 depth)	
	871013.17	*	Steuerfront mit Hauptschalter	UI panel with main switch	800H 900 depth (1000 depth)	
2	871008	OG6081	Folie	Foil		
3	879004	OC6546	Abdeckkappe zu USB	USB cover		
4	879005	OG7687	Dichtung zu USB	USB sealing		
5	879003	OC6547	Halter zu USB	USB support		
6	871014	OG7715	Blech zu USB	USB fixation sheet		
7	712 044120.04	OG4918	Kepsmutter M4	Keps nut M4		
8	879030	OC6566	Kabel COPUI40-USB	Cable COPUI40-USB		
9	877117		Dichtung Steuerung	Sealing user interface		
10	879043_0	OG5909	Steuerung komplett	User interface assembled		
	879043_1	OG6990	Steuerung komplett	User interface assembled		5181...
11	879010	OG5956	Kabel Klemmen-COPUI40S	Cable terminal-COPUI40S		
	879222		Kabel Klemmen-COPUI40S Marine	Cable terminal-COPUI40S Marine	Marine 400/440V	
12	879033	OG5957	Kabel COPUI40-COP20	Cable COPUI40-COP20		
13	1 701 5004	OH9734	Federring M5	Spring washer M5		
14	1 701 3008	OG6111	Sechskantmutter M5	Hex nut M5		
15	76.9164.01	OG2137	Hauptschalter 25A	Main switch 25A	60L	
	76.9149.02		Kabel 5x2.5mm ² L=1400	Cable 5x2.5mm ² L=1400	60L	until 7441...
	879216.01	OG8069	Kabel 5x4mm ²	Cable 5x4mm ²	60L - 800/850 depth	7451...
	879083.02	OG5928	Kabel 4mm ²	Cable 4mm ²	60L - 900 depth	7451...
	76.9164.02	OK4979	Hauptschalter 63A	Main switch 63A	100L/150L/200L/300L	
	76.9149.08	OT6273	Kabel 5x10mm ² L=1400	Cable 5x10mm ² L=1400	200L/300L	until 7441...
	879216.03	OG8071	Kabel 5x10mm ²	Cable 5x10mm ²	200L/300L - 800/850 depth	7451...
	879083.04	OG5954	Kabel 10mm ²	Cable 10mm ²	200L/300L - 900 depth	7451...
	76.9149.06	OG7114	Kabel 5x6mm ² L=1400	Cable 5x6mm ² L=1400	100L/150L	until 7441...
	879216.02	OG8070	Kabel 5x6mm ²	Cable 5x6mm ²	100L/150L - 800/850 depth	7451...
	879083.03	OG5929	Kabel 6mm ²	Cable 6mm ²	100L/150L - 900 depth	7451...
	76.9164.03	OK4980	Hauptschalter 80A	Main switch 80A	400L/500L	
	76.9149.10	*	Kabel 5x16mm ² L=1400	Cable 5x16mm ² L=1400	400L/500L	until 7441...
	879216.04	OG8072	Kabel 5x16mm ²	Cable 5x16mm ²	400L/500L - 800/850 depth	7451...
	879083.05	OG5955	Kabel 16mm ²	Cable 16mm ²	400L/500L - 900 depth	7451...
	879227	OG7997	Kabel COPUI40D-Inverter Kommunikation	Cable: COPUI40D-Inverter communication	PBOTxxW	

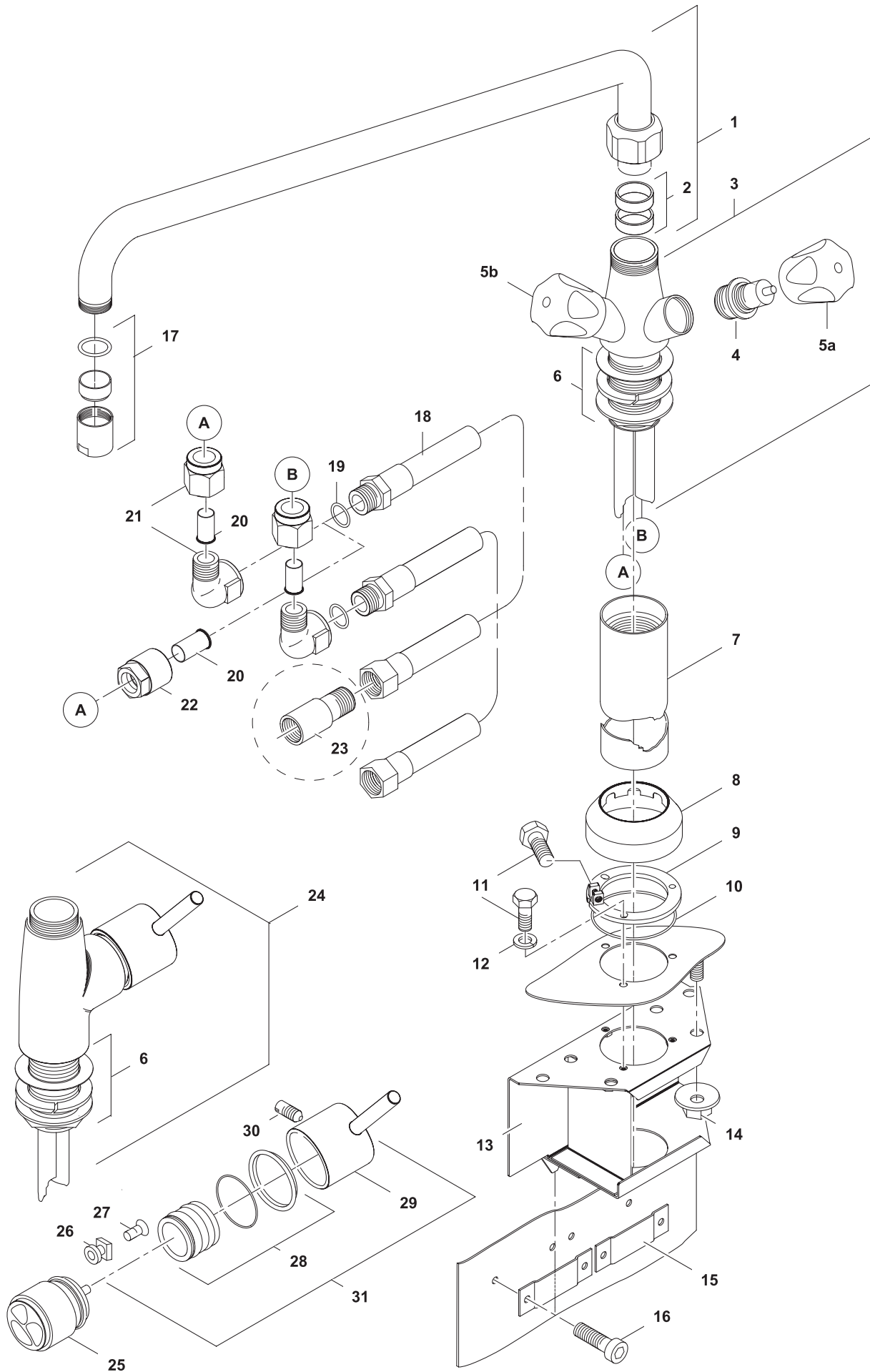


9	Alias	Code	Bezeichnung	Description	Ref.	Valid from Serial N°
1	87.7072_0.KD	OG6644	Drehgriff komplett	Handle with adapter and sealing		
2	82.7009	OG6247	Dichtung Drehgriff	Sealing handle		
3	87.1363	OG7236	Abstandsblech	Spacer		
4	87.9118	OG6267	Kipppotentiometer 7POT5KEO	Tilting potentiometer 7POT5KEO		
5	1 701 3502	OG3595	Unterlegscheibe Ø4,3 x Ø9,0 x 0,8	Wascher Ø4,3 x Ø9,0 x 0,8		
6	1 701 3004	OK4606	Sechskantmutter M4x0,8	Hex nut M4x0,8		
7	76.9108.02	OK5160	Kontaktgeber Notaus	Terminal emergency stop		
8	76.9075.03	OKX129	Notausschlater	Emergency stop button		
9	86.7120	OG6839	Einhebelmischer	One-lever mixer tap		until 9051...
10	86.7124	OG7860	Frontblende Spray Gun	Front panel spray gun		
11	1 701 5083	OG6850	Quicklock-Scheibe	Quicklock fixing washer		

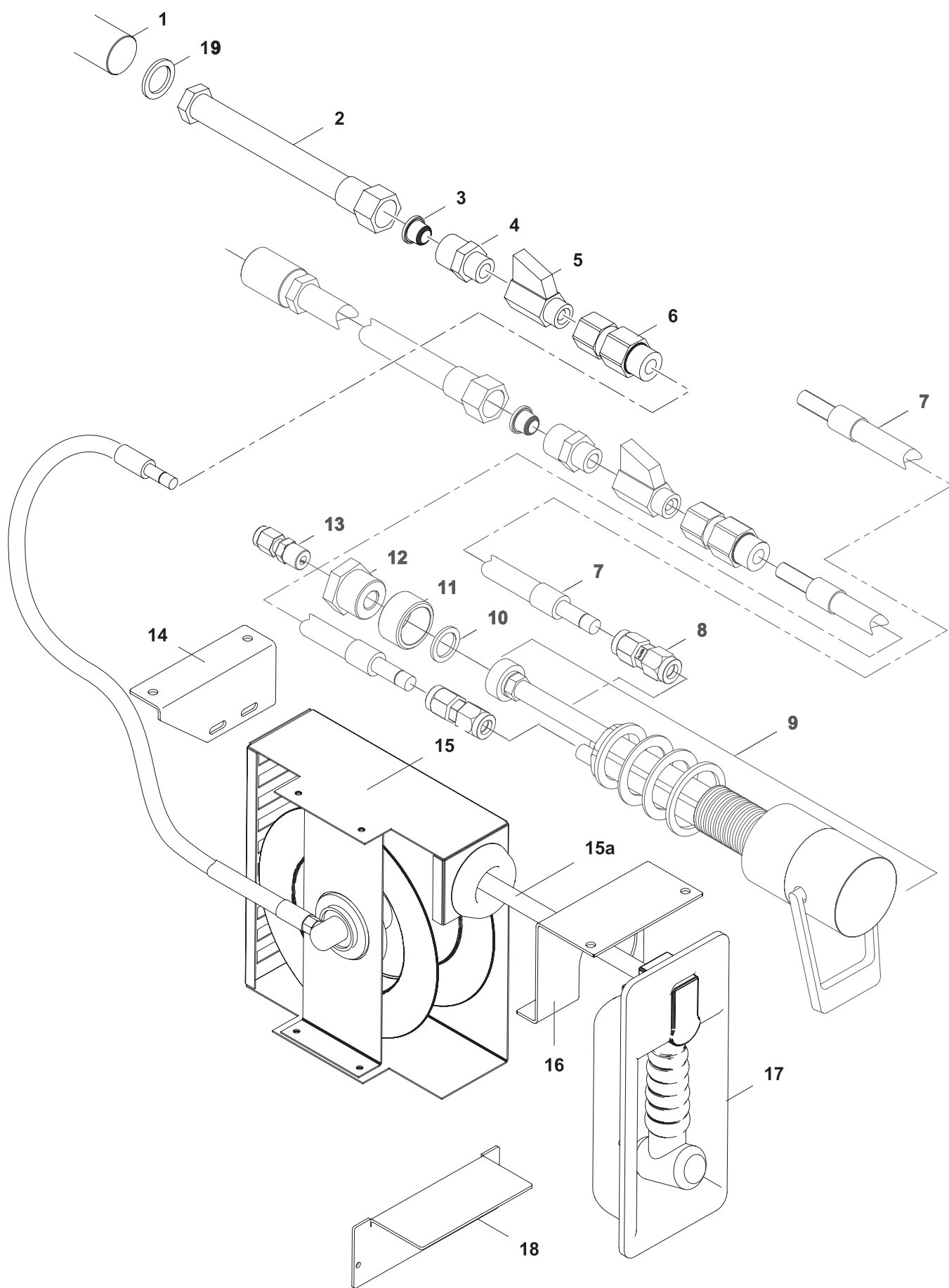


10	Alias	Code	Bezeichnung	Description	Ref.	Valid from Serial N°
1	76.0066.01	OK5492	Zwischenblech 1mm	Spacer sheet 1mm		
	76.0066.03	OK5494	Zwischenblech 1,5mm	Spacer sheet 1,5mm		
2	76.0162	OG2930	Motorhalter	Motor support	Depth 900	
	76.0163	OG6384	Motorhalter	Motor support	Depth 1000	
3	1 701 3516	OT5917	Unterlegscheibe Ø10,5 x Ø21 x 2	Washer Ø10,5 x Ø21 x 2		
4	1 701 5040	OK4616	Federring M10	Spring washer M10		
5	1 701 2543	OK4601	Sechskantschraube M10x35	Hex bolt M10x35		
6	87.7041	OG6840	Bolzen M10x30	Pin M10x30		
7	1 201 1927	OK5499	Federklammer Ø10	Spring clip Ø10		
8	87.9113	OG6269	Kippmotor SIR 3000N lang 6814421	Tilting motor SIR 3000N long 6814421	60L (D900)/150L	4141...
	87.9112	OG6268	Kippmotor SIR 6000N lang 6814420	Tilting motor SIR 6000N long 6814420	200L/500L	until 7511...
	87.9115	OG6271	Kippmotor SIR 3000N kurz 6814423	Tilting motor SIR 3000N kurz 6814423	60L (D800/850)	4141...
	87.9240	OG8106	Kippmotor SIR 6000N lang 6170153	Tilting motor SIR 6000N long 6170153	400L/500L	7521...
	76.3090	OK4753	Kippmotor 3000N lang	Tilting motor 3000N long	60L (D900)/150L	3401...
	76.3091	OK4754	Kippmotor 8000N lang	Tilting motor 8000N long	200L/500L	3401...
	76.3093	OKT713	Kippmotor 3000N kurz	Tilting motor 3000N short	60L (D800/850)	3401...
9	1 201 1907	OKT929	Passfeder 14x9x36	Feather key 14x9x36		
10	76.2027.01	OG7635	Kipphebel	Rocker arm	Depth 900/1000	
	76.2027.02	*	Kipphebel	Rocker arm	Depth 800	
11	1 701 7094	OG4248	Gewindestift m. Innensechskant M8x12	Allen set screw M8x12		
12	76.4115	OK5498	Lager GLEIT-PERMAGLIDE	Fiberglide		

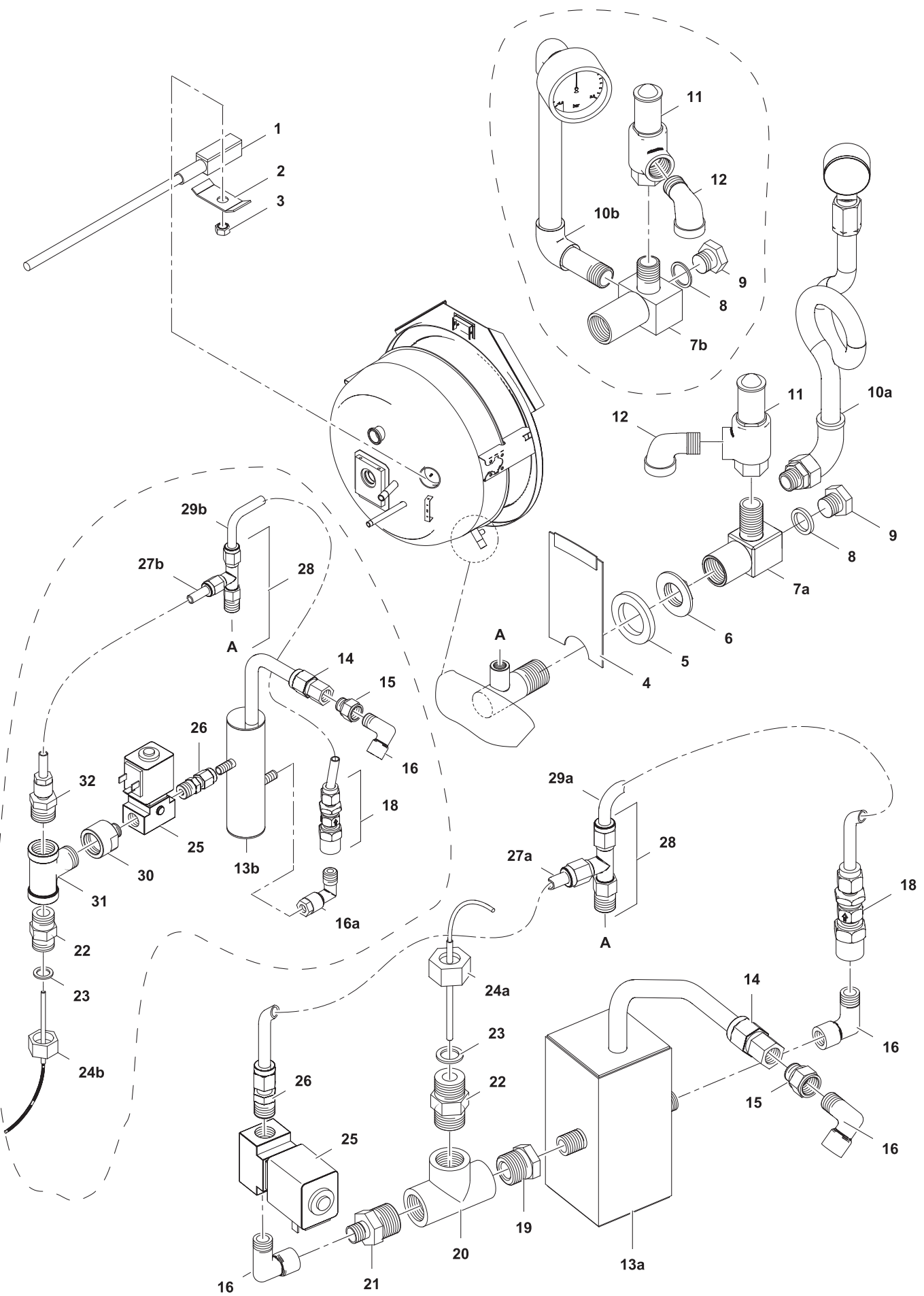
* Components on demand
* Teile auf Anfrage



11	Alias	Code	Bezeichnung	Description	Ref.	Valid from Serial N°
	76.2013.01_KD	OKL304	Kit Zweihebel-Mischbatterie 330x600mm Kit enthält Pos.: 1-16, 18-20, 22	Kit mixing tap, 2 knobs, 330x600mm Kit contains pos.: 1-16, 18-20, 22		
1	712 344884.04	OK5360	KWC Schwenkauslauf 3/4", 600mm	KWC swivel spout 3/4", 600mm		
	712 344884.03	OK5358	KWC Schwenkauslauf 3/4", 450mm	KWC swivel spout 3/4", 450mm		
	712 344884.02	OK5359	KWC Schwenkauslauf 3/4", 300mm	KWC swivel spout 3/4", 300mm		
2		OK3930	Dichtungsringe	Sealing rings		
3	712 344884.01	OK5355	KWC Zweihebel-Mischbatterie	KWC Mixing tap, 2 knobs		
4		OK5357	Ventileinsatz 3/4"	Valve insert 3/4"		
5a		OK5826	Griff blau	Knob blue		
5b		OK5827	Griff rot	Knob red		
6		OG3239	Set Verschraubung 5/4"	Kit Fixation 5/4"		
7	72.5976.01	OG5227	Standrohr 460mm	Stand pipe 460mm		
	72.5976.02	OG3179	Standrohr 330mm	Stand pipe 330mm		
	72.5976.03	OG4753	Standrohr 160mm	Stand pipe 160mm		
8	72.0435	OG3091	Rosette zu Standrohr	Stand pipe collar		
9	72.5919	OKT745	Sicherungsring	Fixation ring		
10	712 044480.14	OKT793	O-Ring ORM 0530-20	Joint ORM 0530-20		
11	1 701 2632	OG3677	Sechskantschraube M4 x 16	Hex bolt M4x16		
12	1 701 5002	OKL273	Federring M4	Spring washer M4		
13	76.0119.01	OT2658	Konsole Mischbatterie	Console mixing tap		
14	712 044120.05	OG3998	Kepsmutter M5	Keps nut M5		
15	76.0033	OG3979	Hutprofil	Clamping profile		
16	1 101 8129	OG3676	Innensechskantschraube M5 x 16	Allen bolt M5 x 16		
17		OG3238	Tropfenschutz 3/4"	Drip stop 3/4"		
18	712 344893.01	OKW734	Panzerschlauch L1700 G1/2" / R1/2"	Armored hose L1700 G1/2" / R1/2"		
	712 344893.02	OK5363	Panzerschlauch L1100 G1/2" / R1/2"	Armored hose L1100 G1/2" / R1/2"		
	712 344893.03	OG6530	Panzerschlauch L600 G1/2"	Armored hose L600 G1/2"		
19	712 044481.21	OG3610	Flachdichtung Ø 18/11x2 G1/2"	Flat seal Ø 18/11x2 G1/2"		
20	1 101 3797	OKE129	Stützhülse	Sleeve		
21	1 101 3798	OK4489	Winkel-Anschluss G1/2"	Angle connection G1/2"		
22	1 101 2075	OKX119	Anschluss G1/2"	Connection G1/2"		
23	87.5168	OG6646	WFA Adapter G1/2"	WFA Adapter G1/2"		
24	712 344884.05	*	KWC Einhebel-Mischbatterie	KWC mixing tap, one lever		
25		OKI140	Steuerpatrone	Mixer tap cartridge		
26	Z.632.240	KWC	Kunststoffeinsatz	Plastic insert		
27	Z.602.997	KWC	Schraube M4 x 15	Screw M4 x 15		
28	Z.535.675	KWC	Befestigung mit Gleitringen	Fixation with slide rings		
29	Z.634.829	KWC	Bedienhebel , chrom	Control lever, chrome		
30	Z.605.952	KWC	Gewindestift M6 x 10	Set screw M6 x 10		
31	Z.535.674	KWC	Bedienhebel mit Befestigung	Control lever with fixation		



12	Alias	Code	Bezeichnung	Description	Ref.	Valid from Serial N°
1	87.5168	OG6646	Adapter zu WFA	Adapter for WFA		
2	712 344893.04	OG7140	Panzerschlauch L600	Armored hose L600		
3	1 701 2827	OG6842	Hutfilter 1/2-50/50 H12	Filter insert 1/2-50/50 H12		
4	1 116 1219	OG6843	Reduziernippel	Reduction nipple		
5	86.1086	OG6844	Kugelhahn mini 3/8"	Ball valve mini 3/8"		
6	86.1087	OG6845	Rückschlagventil 3/8"	Check valve 3/8"		until 9051...
	87.7151	OG8523	Rückschlagventil 3/8"	Check valve 3/8"		9061...
7	87.5147	OG6846	Schlauch Ø10	Hose Ø10		until 9051...
8	1 101 2156	OG6847	Gerade Verschraubung mit Rohranschluss	Straight pipe fitting		until 9051...
9	86.7120	OG6839	Einhebelmischer	One-lever mixer tap		until 9051...
10	712 044481.04	OG3951	Flachdichtung Ø24x17x2	Flat sealing		until 9051...
11	1 116 1156	OG6848	Muffe halb 3/4" - 1/4"	Turnbuckle 3/4" - 1/4"		until 9051...
12	1 117 1296	OG6851	Buchse 3/4" - 1/4"	Hex bushing 3/4" - 1/4"		until 9051...
13	1 101 3901	OKT947	Verschraubung mit Einschraubnippel	Pipe fitting with threaded nipple		until 9051...
14	87.4035	*	Halter Spray Gun oben	Upper spray gun support		
15	86.7123	OG5969	Spray Gun	Spray gun		
15a	87.7068	OG6579	Schlauch EPDM zu Spray Gun	Hose EPDM for spray gun		
16	87.5152	*	Halter Spray Gun oben (H400)	Upper Spray gun support (H400)	H400	
17	86.7124	OG7860	Frontblende Spray Gun	Front panel spray gun		
18	87.4034	*	Halter Spray Gun unten (H700)	Lower spray gun support (H700)	H700	
19	87.2429	OG8524	Dichtung 18x11x2	Sealing 18x11x2		9061...

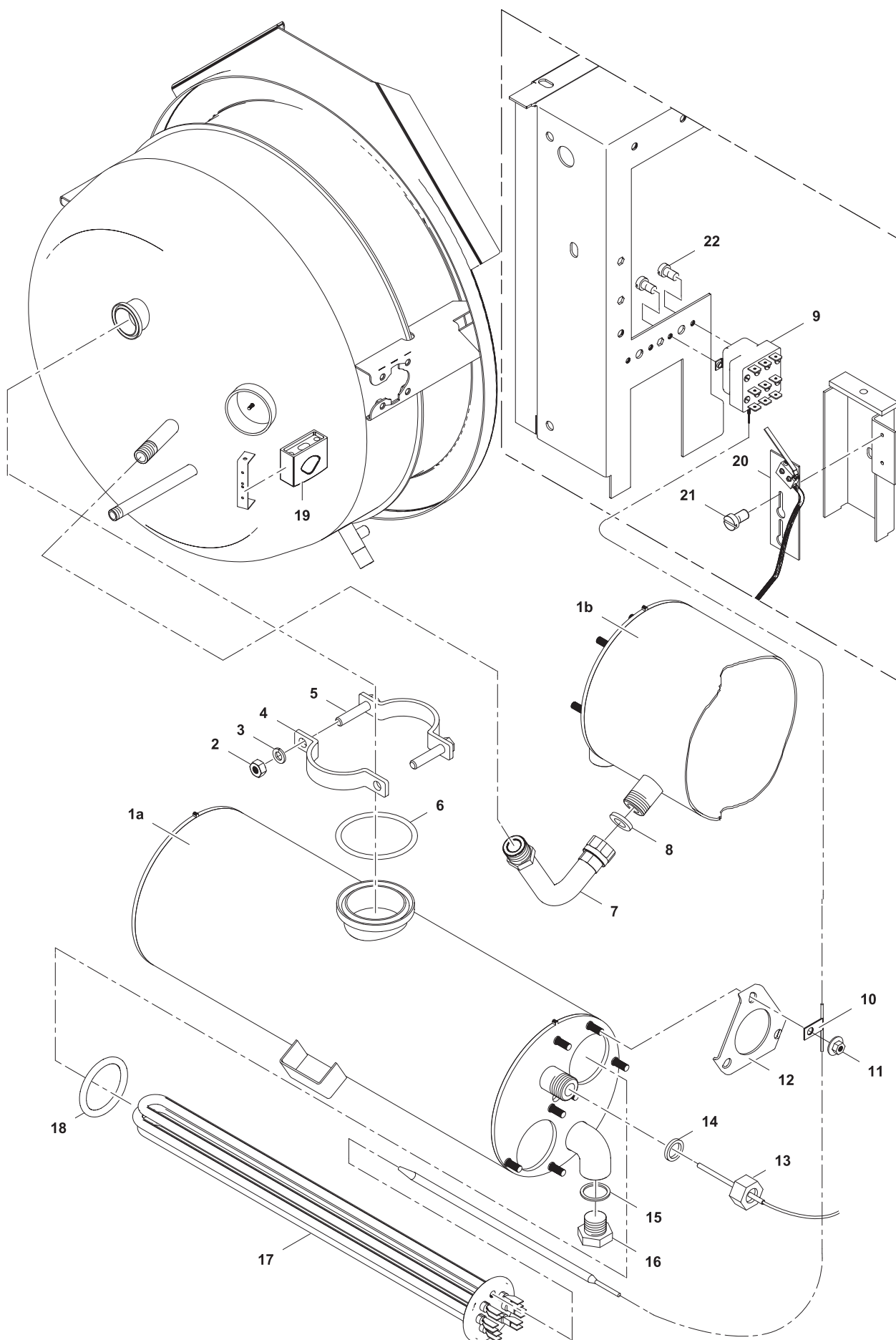


13	Alias	Code	Bezeichnung	Description	Ref.	Valid from Serial N°
1	879147.01.KD	0G6280	TC Sensor Food gelb	TC Sensor food, yellow		
2	76.4191	0G3087	Fühlerhalter	Sensor fixation		
3	1 701 3008	0G6111	Sechskantmutter M5	Hex nut M5		
	76.3064.01	*	Wärmeleitpaste	Heat conducting paste		
4	76.4080	0G4067	Deckel Außenmantel	Mantle cover		
5	712 044489.01	0G6852	Dichtungsmanschette	Seraling collar		
6	712 344858.23	0K8849	Gegenmutter 3/4"	Counter nut 3/4"		
7a	76.4024	0KT710	Armaturkörper	Fitting		
7b	87.2234	0G6853	Armaturkörper *China	Fitting *China		
8	1 101 2157	0K5545	Kupferdichtung 21x26	Copper seal 21x26		
9	1 117 1239	0KV476	Stopfen 1/2"	Stopper 1/2"		
10a	87.0101	0G6366	Prüfmanometer Service	Testing manometer	PBOTxxE/R	
10b		PA020300	Anbaumanometer *China	Integrated manometer *China	60L/100L *China	
		PA020400	Anbaumanometer *China	Integrated manometer *China	150L/200L *China	
		PA020500	Anbaumanometer *China	Integrated manometer *China	300L/400L *China	
11	86.2424	0G5631	Sicherheitsventil	Safety valve		
12	1 101 2162	0G6161	Einschraubwinkel 1/2"	Elbow fitting 1/2"		
	1 201 1813	0G3817	Kleber LOCTITE 577	Glue LOCTITE 577		
	21 775	0G2699	Teflonband	Teflon strip		
13a	87.2248.01	*	Kondensator	Condenser	60-150L/300-500L	5121...
	87.2248.02	*	Kondensator	Condenser	200L	5121...
13b	76.4270.02	0KT704	Kondensator	Condenser	60L/150L	
	76.4270.03	0G4573	Kondensator	Condenser	200L	
	76.4270.04	0G6653	Kondensator	Condenser	300L/500L	
14	1 101 3900	0KT948	Verschraubung mit Anschlussmuffe	Swivel connection		
15	1 116 1147	0G2707	Reduziernippel 1/4"	Reduction nipple 1/4"		
16	1 116 1142	0KT936	Einschraubwinkel 1/4"	Elbow fitting 1/4"		
16a	1 101 3757	*	Einschraubwinkel	Elbow fitting		
18	87.7073	0G6745	Rückschlagventil mit Filter	Check valve with filter sieve		
19	1 102 2468	0G6234	Überschnitt-Buchse 1/4"	Fitting 1/4"		5121...
20	1 102 2435	0G7145	T-Stück (KOHLER)	Tee fitting		5121...
21	87.6003	0G7392	Reduziernippel 1/2" - 1/4"	Reduction nipple 1/2" - 1/4"		5121...
22	1 101 3933	0G7393	Nippel 1/2"	Nipple 1/2"		
23	87.7063	0G7394	Kupferdichtung	Copper sealing		
24a	87.9148.02	0G5913	Sensor TC blau	Sensor TC blue		5121...
24b	86.9083	0G7395	Sensor	Sensor		
25	76.3035	0K5341	Magnetventil	Solenoid valve		
	76.4935	0K4978	Stecker Magnetventil	Socket solenoid valve		
	87.9017	0G5921	Kabel: COP20 - Entlüftung	Cable: COP20 - Dearation		
26	1 101 3901	0KT947	Verschraubung mit Einschraubnippel	Straight fitting		
27a	87.2255.XX		Vorlauf	Inlet line		5121...
27b	87.2127.XX		Vorlauf	Inlet line		
28	87.7074	0G6746	T-Stück mit Übergangsnippel und Filter	Tee swivel connector with filter sieve		
29a	87.2254.XX		Rücklauf	Outlet line		5121...
29b	87.2126.XX		Rücklauf	Outlet line		
30	1 116 1228	0G7312	Reduziernippel 1/2" - 1/4"	Reduction nipple 1/2" - 1/4"		
31	86.2629	0G7313	T-Stück 1/2"	Tee fitting 1/2"		
32	1 101 3909	0G3428	Verschraubung	Fitting		
	1 201 1813	0G3817	Kleber LOCTITE 577	Glue LOCTITE 577		
	1 201 1924	*	Silikonfett (Unisilicon)	Silicon grease (Unisilicon)		
	1 201 1522	0G2160	Dichtband eins. selbstkl. 10x3 weiss	Sealing tape 10x3 white		

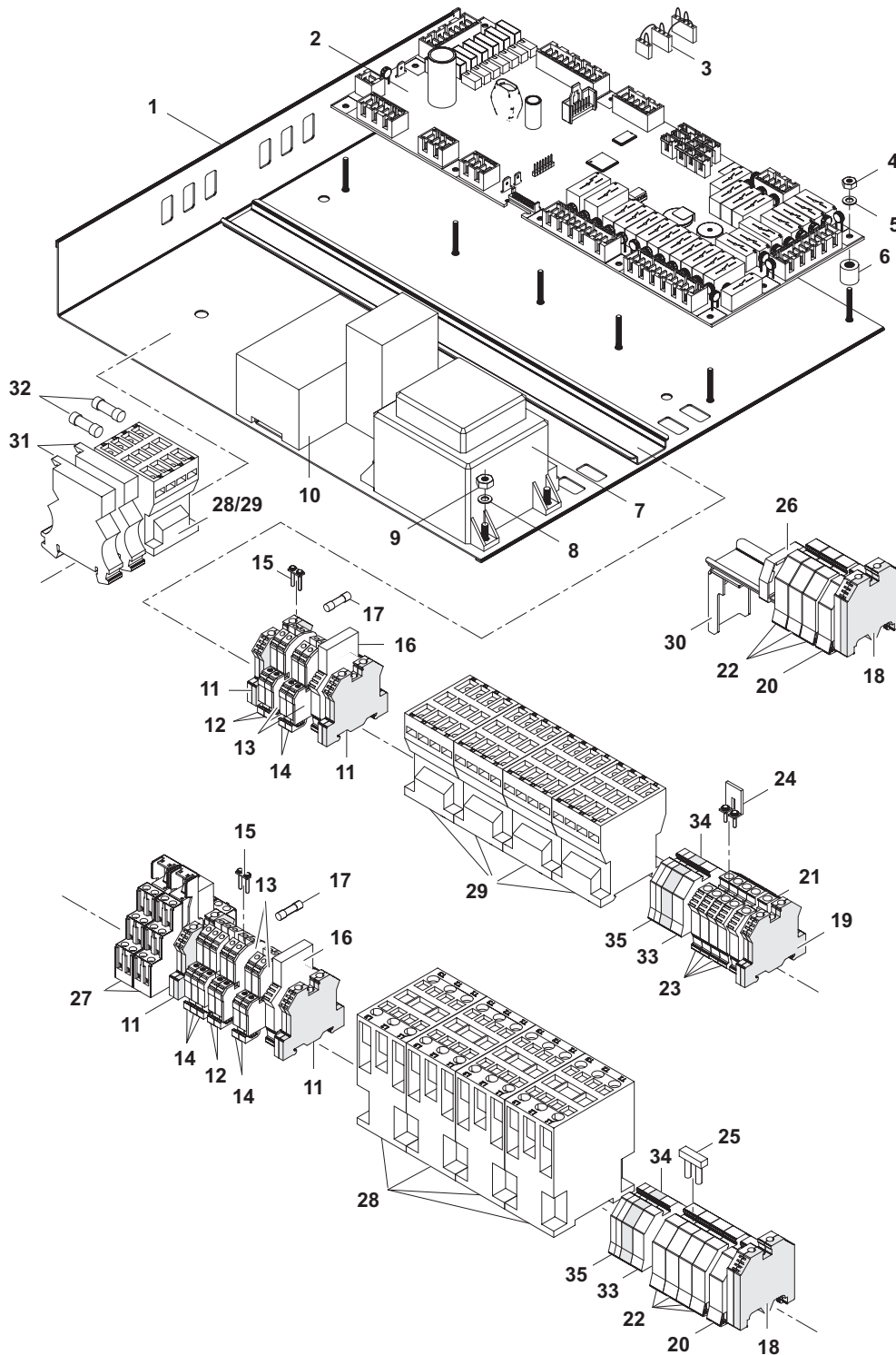
* Components on demand
* Teile auf Anfrage

Doc. № 599A2B700 / 87.8020.02

Page: 23



14	Alias	Code	Bezeichnung	Description	Ref.	Valid from Serial N°
1a	76.4058.01	0K6401	Dampferzeuger	Steam generator	60L	
	76.4058.02	0KV614	Dampferzeuger	Steam generator	100L/200L/300L	
	76.4058.03	0KI321	Dampferzeuger	Steam generator	150L/400L	
1b	76.4195.01	0G3499	Zusatz-Damperzeuger	Additional steam generator	200L/300L	
	76.4195.02	0KW699	Zusatz-Damperzeuger	Additional steam generator	400L/500L	
2	1 701 3044	0K4612	Sechskantmutter M8	Hex nut M8		
3	1 701 5008	0KL250	Federring M8	Spring washer M8		
4	713 842019.96	0G6837	Klammer (1/2 Klammer)	Bride (1/2 bride)		
5	713 842019	0G3855	Klammer mit Schrauben (1/2 Klammer)	Bride with screws (1/2 bride)		
6	713 042130	0K5557	Dichtungsring	Sealing ring		
7	1 117 1238	0G2750	Dampfleitung	Steam pipe		
8	712 044481.21	0G3610	Dichtung	Sealing		
9	76.3033	0K5143	Begrenzer	Limiter		
10	76.4169	0G2819	Halter Begrenzer	Limiter support		
11	712 044120.06	0G3997	Kepsmutter M6	Keps nut M6		
12	76.4146	0T2634	Klemmblech	Fixation sheet		
13	87.9148.01	0G5912	TC Sensor grün	TC sensor, green		
14	87.7063	0G7394	Kupferdichtung	Copper sealing		
15	1 101 2157	0K5545	Dichtung	Sealing		
16	1 117 1239	0KV476	Stopfen	Stopper		
17	76.3027.03	0K4731	Heizung 3kW-230V (400V)	Heating 3kW-230V (400V)	60L/200L	
	76.3027.04	0K4732	Heizung 3kW-230V (400V)/Fühlerrohr	Heating 3kW-230V (400V)/Sensor tube	60L	
	76.3027.07	0KW705	Heizung 3kW-255V (440V)	Heating 3kW-255V (440V)	60L/200L (Marine)	
	76.3027.08	0G6880	Heizung 3kW-255V (440V)/Fühlerrohr	Heating 3kW-255V (440V)/Sensor tube	60L (Marine)	
	76.3028.03	0K4733	Heizung 4.5kW-230V (400V)	Heating 4.5kW-230V (400V)	100L/200L/300L	
	76.3028.04	0K4734	Heizung 4.5kW-230V (400V)/Fühlerrohr	Heating 4.5kW-230V (400V)/Sensor tube	100L/200L/300L	
	76.3028.07	0KW704	Heizung 4.5kW-255V (440V)	Heating 4.5kW-255V (440V)	100L/200L/300L (Marine)	
	76.3028.08	0KT719	Heizung 4.5kW-255V (440V)/Fühlerrohr	Heating 4.5kW-255V (440V)/Sensor tube	100L/200L/300L (Marine)	
	76.3029.03	0K4735	Heizung 6kW-230V (400V)	Heating 6kW-230V (400V)	150L/400L/500L	
	76.3029.04	0K4736	Heizung 6kW-230V (400V)/Fühlerrohr	Heating 6kW-230V (400V)/Sensor tube	150L/400L/500L	
	76.3029.07	0KW703	Heizung 6kW-255V (440V)	Heating 6kW-255V (440V)	150L/400L/500L (Marine)	
	76.3029.08	0KT718	Heizung 6kW-255V (440V)/Fühlerrohr	Heating 6kW-255V (440V)/Sensor tube	150L/400L/500L (Marine)	
18	718 042198	0G7398	Dichtungsring	Sealing ring		
19	1 116 1072	0K4570	Kabelklemme schwarz	Bride black		
	1 701 2023	0G6863	Zylinderschraube M4x12	Allen screw M4x12		
	1 701 3502	0G3595	Unterlegscheibe M4	Washer M4		
	712 044120.04	0G4918	Kepsmutter M4	Keps nut M4		
20	87.9092	0G6381	Mikroschalter mit Platte und Kabel	Micro switch with cable and support		
21	1 701 1541	0G3674	Schraube M4x10	Screw m4x10		
22	1 701 2077	0G4174	Zylinderschraube M4x6	Allen screw M4x6		
	76.9315.01_2	0G5914	Kabel: Heizung - Schütz	Cable: heating element - contactor	60L-500L	
	76.9315.02_2	0G5915	Kabel: Heizung - Schütz	Cable: heating element - contactor	60L-500L	
	76.9315.03_2	0G5916	Kabel: Heizung - Schütz	Cable: heating element - contactor	200L-500L	
	76.9315.04_2	0G5917	Kabel: Heizung - Schütz	Cable: heating element - contactor	200L-500L	
	76.9109_2	0G5918	Kabelbrücke Heizung	Cable link heating elements		



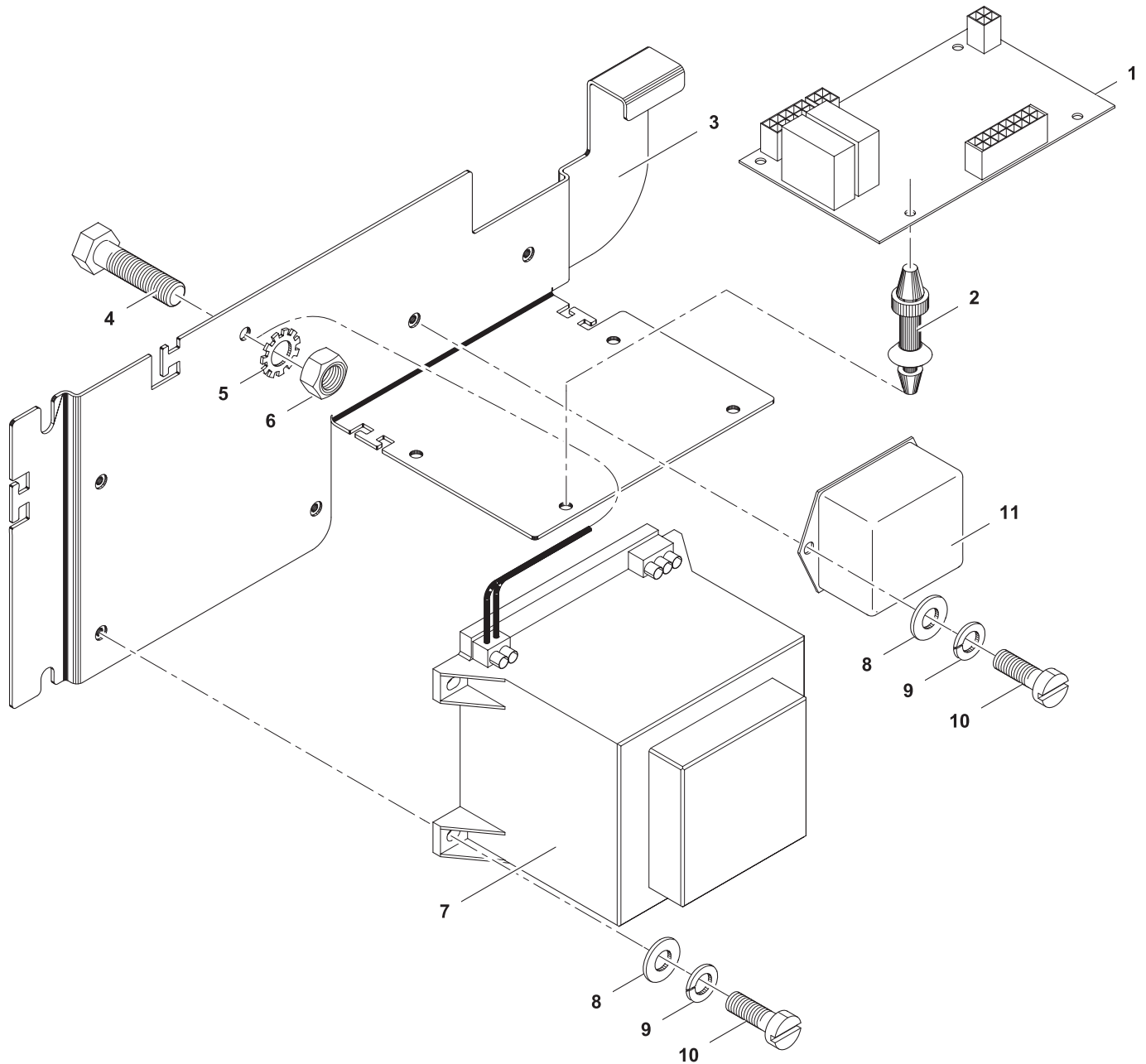
15	Alias	Code	Bezeichnung	Description	Ref.	Valid from Serial N°
1	879188.01	*	Steuerträger standard PxxT	Support frame PxxT		
	879188.03	*	Steuerträger Marine	Support frame PxxT Marine	Maine	
2	879015	OG5908	Motherboard COP20	Motherboard COP20		until 9051...
	879241	OG8492	Motherboard COP70	Motherboard COP70		9061...
3	879190	OG6638	Jumper Core Temp	Jumper Core Temp		
4	1 701 3057	0U0182	Sechskantmutter M3	Hexs nut M3		
5	1 701 3540	0K1478	Unterlegscheibe M3	Washer M3		
6	76.3011.03	OG3094	Distanzhalter 12mm	Spacer 12mm		
7	879036	OG5910	Transformator PMA 70VA 230V-12/24V	Transformer PMA 70VA 230V-12/24V		
	879203	OG6879	Transf. 0-230-400-440/10.5-24V 150VA +PTC	Transf. 0-230-400-440/10.5-24V 150VA +PTC	Marine	
8	1 701 3502	OG3595	Unterlegscheibe M4	Washer M4		

15	Alias	Code	Bezeichnung	Description	Ref.	Valid from Serial N°
9	1 701 3004	OK4606	Sechskantmutter M4	Hex nut M4		
10	76.9165.01	OG2114	Wendeschütz	Thermal overload relay	PBOTxxR	
11	75.2011.01	OKT730	Schutzleiterklemme 4mm ²	Ground conductor terminal 4mm ²		
12	75.2010.11	OKT733	Nullleiterklemme 4mm ² blau	Neutral wire terminal 4mm ² blue		
13	75.2010.12	OT2598	Abschlusswand	Cover		
14	75.2010.10	OKT734	Reihenklemme 4mm ² grau	Terminal block 4mm ² grey		
15	75.2010.14	OG5735	Querverbinder	Cross connection		
16	76.9527.01	OG3940	Sicherungsklemme 10mm ²	Fuse holder terminal 10mm ²		
16a	76.9527.02	OG4585	Abschlusswand zu Sicherungsklemme	Cover for fuse holder terminal		
17	712 344362.01	OG5814	Sicherung 5x20 1AF	Fuse 5x20 1AF		
18	75.2011.03	OKX291	Schutzleiterklemme 16mm ²	Ground conductor terminal 16mm ²		
	75.2011.04	OG8037	Schutzleiterklemme 35mm ²	Ground conductor terminal 35mm ²	200L-500L	7411...
19	75.2011.02	OKT729	Schutzleiterklemme 10mm ²	Ground conductor terminal 10mm ²	60L-150L	
20	75.2010.41	OG3488	Nullleiterklemme 16mm ² blau	Neutral wire terminal 16mm ² blue		
	75.2010.51	OG8036	Nullleiterklemme 35mm ² blau	Neutral wire terminal 35mm ² blue	200L-500L	7411...
21	75.2010.31	OG3495	Nullleiterklemme 10mm ² grün	Neutral wire terminal 10mm ² green	60L-150L	
22	75.2010.40	OKI280	Reihenblock 16mm ² beige	Terminal block 16mm ² beige		
	75.2010.50	OG8035	Reihenblock 35mm ² beige	Terminal block 35mm ² beige	200L-500L	7411...
23	75.2010.30	OKT732	Reihenblock 10mm ² grau	Terminal block 10mm ² grey	60L-150L	
24	75.2010.34	OG3339	Querverbinder	Cross connection	60L-150L	
25	75.2010.44	OKT731	Querverbinder	Cross connection	200L-500L	
26	75.2013	OKX290	Arretierstück	Fixation		
27	76.9482	OG3933	Relais 12V	Relay 12V		
	76.9483	OG4009	Relais 230V UL	Relay 230V UL	PBOTxxW	
28	1 115 1758	OG4646	Schütz K3-24X022	Contactactor K3-24X022	200L-500L	
29	1 115 1757	OG4645	Schütz K3-14X027 + K2-E230	Contactactor K3-14X027 + K2-E230	60L-150L	
30	76.9011.01	*	Klemmschiene	Clamp rail		
30a	12.1980	OG4391	Unterlegscheibe M5	Washer M5		
31	82.9177	OTTW84	Sicherungsklemme 6.3X32 500V	Fuse holder terminal	Marine 400/440V	
32	82.9171	OTTR73	Sicherung 6.3x32 0.63A 500V	Fuse 6.3x32 0.63A 500V	Marine 400/440V	
	76.9117.05	OG5927	Litze Haupterdraht	Litz wire earthing	60L-150L	
	76.9117.03	*	Litze Haupterdraht	Litz wire earthing	200L-500L	
	87.9006	OG5922	Kabel: COP20 - Schützen STB	Cable: COP20 - Conductors STB		
	87.9037	OG5923	Kabel: N - Trafo - P	Cable: N - Transformator - P	PBOTxxE	
	87.9077	OG5924	Kabel: N - Trafo - P (Notaus)	Cable: N - Transformator - P (emerg. stop)	PBOTxxR	
	87.9038	OG5926	Kabel: Klemmen - Schützen (RW)	Cable: Terminal - conductor (stirrer)	PBOTxxR	
	87.9039	OG5925	Kabel: Klemmen - Schützen	Cable: Terminal - conductor		
	87.9064	OG5953	Kabel Rührwerk	Cable stirrer	PBOTxxR	
	87.9083.02	OG5928	Kabel: X0-X1 Hauptzuleitung 4mm ²	Cable: X0 - X1 mains connection 4mm ²	60L	
	87.9083.03	OG5929	Kabel: X0-X1 Hauptzuleitung 6mm ²	Cable: X0 - X1 mains connection 6mm ²	100L/150L	
	87.9083.04	OG5954	Kabel: X0-X1 Hauptzuleitung 10mm ²	Cable: X0 - X1 mains connection 10mm ²	200L/300L	
	87.9083.05	OG5955	Kabel: X0-X1 Hauptzuleitung 16mm ²	Cable: X0 - X1 mains connection 16mm ²	400L/500L	
	82.2809	OC0068	Kabelverschraubung PG21	Cable gland PG21	60L-150L	
	87.9212	OG7277	Kabelverschraubung PG29	Cable gland PG29	200L-500L	
	87.7134		EMV Kabelverschraubung M25	EMV Cable gland M25	PBOTxxW	
	87.7147		Kabelverschraubung M16	Cable gland M16	PBOTxxW	
	87.9228		Kabel: Rührwerk variabel	Cable: Stirrer variable	PBOTxxW	
	87.9231	OG8000	Frequenzumformer 4kW	Frequency converter 4kW	PBOTxxW	
	87.9229.02	OG7998	Kabel: Inverter-Motor variabel 4mm ²	Cable: Inverter-Motor variabel 4mm ²	PBOTxxW	
	87.9230.02		Kabel: Motorschutzschalter variabel 4mm ²	Cable: Motor circuit breaker variable 4mm ²	PBOTxxW	
	87.9236	OG7999	Kabel: Thermoelement Motor	Cable: Thermocouple Motoer	PBOTxxW	
33	75.2010.20	OG7080	Reihenblock grau	Terminal block grey		9061...
34	75.2010.21	OG3489	Nullleiterklemme blau	Neutral wire terminal blue		9061...
35	75.2011.01	OKT730	Schutzleiterklemme G/G	Ground conductor terminal G/G		9061...
	1 115 1783	OG6228	Filter FN2060	Filter FN2060		9061...

* Components on demand
* Teile auf Anfrage

Doc. № 599A2B700 / 87.8020.02

Page: 27



16	Alias	Code	Bezeichnung	Description	Ref.	Valid from Serial N°
	87.9140.01	0G6367	Kippsteuerung kompl. 230-240V	Tilting control assembled 230-240V		3401...
	87.9140.06	0G6864	Kippsteuerung kompl. 440V	Tilting control assembled 440V	Marine 400/440V	5011...
	76.9000.01.KD	0G6016	Kippsteuerung kompl. xxT94	Tilting kontrol xxT94		
1	87.9116	0G6266	Kippsteuerung 7CA24VE1 SIR	Tilting control 7CA24VE1 SIR		3401...
2	75.5000.05	0G4212	Distanzhalter	Spacer		
3	87.9133	*	Halter Kippsteuerung	Support tilting control		3401...
4	1 701 2567	0KE185	Sechskantschraube M5x20	Hex bolt M5x20		
5	1 701 7002	0G2923	Fächerscheibe M5	Fan washer M5		
6	1 701 3008	0G6111	Sechskantmutter M5x0.8D	Hex nut M5x0.8D		
7	87.9121	0G6273	Transformator 230V AC	Transformer 230V AC		
	87.9143	0G6865	Transformator 440V AC	Transformer 440V AC	Marine 400/440V	
8	1 701 3502	0G3595	Unterlegscheibe M4	Washer		
9	1 701 5002	0KL273	Federring M4	Spring washer		
10	1 701 2023	0G6863	Zylinderschraube M4x12	Allen screw		
11	1 115 1783	0G6228	EMV Filter	EMC filter		
	87.9182	0G6866	Kabel: Trafo - Steuerelektronik (Filter)	Cable: tranformer - tilt control (with EMC filter)		
	87.9119	0G6391	Kabel: Trafo - Steuerelektronik (ohne Filter)	Cable: tranformer - tilt control (without EMC filter)	Marine 400/440V	
	76.9123	0G5919	Kabel: Thermoelement - Motor	Cable: Thermocouple - motor		
	87.9089	0G5932	Kabel: X2 - Kippung	Cable: X2 - tilting		
	87.9083.01	0G5931	Kable: X0 - X1 Hauptzuleitung	Cable: X0 - X1 mains connection		