

**PROTHERMETIC****DE  
EN****PBOT-S/T/Q  
PBOT-S/T/Q****KIPPKOCHKESSEL, DAMPFBEHEIZT, RUND  
TILTING BOILING PAN, STEAM HEATED, ROUND**

Page	Baugruppe	Assembly group	Models
2	Kessel	Kettle	PBOT-S/T/Q
4	Magnetschalter	Solenoid swith	PBOT-Q
5	Auslaufhahn	Drain valve	PBOT-S/T/Q
6	Deckel	Lid	PBOT-S/T/Q
8	Rührwerk	Stirring system	PBOT-Q
11	Füsse	Feet	PBOT-S/T/Q
12	Achse	Shaft	PBOT-S/T/Q
14	Schalterfront Steuerung	Switch panel control system	PBOT-S/T/Q
16	Schalterfront Kippung	Switch panel tilting system	PBOT-S/Q
17	Kippung	Tilting system	PBOT-S/T/Q
18	Mischbatterie	Mixer tap	PBOT-S/T/Q
20	Spray Gun	Spray gun	PBOT-S/T/Q
22	Kessel dampfbeheizt	Kettle steam heated	PBOT-S/T/Q
24	Dampfleitung	Steam pipe	PBOT-S/T/Q
26	Kondensatleitung	Condensate pipe	PBOT-S/T/Q
28	Steuerung	Control system	PBOT-S/Q
30	Wasser Füll Automat	Automatic Water Filling	PBOT-S/T/Q
32	Steuerung Kippmotor	Control system tilting motor	PBOT-S/T/Q

Valid from Ser. № 3401....

Last Updates

Page

Pos.

04/2016

all

02/2017

5

12/2017

15

8

06/2018

8, 9

19, 20, 21, 22, 23

12/2018

2 / 3

drawing / 7, 8

01/2019

16 / 21

9 / from 6 to 13, 19

02/2019

29

2, 25, 26, 27

04/2019

3 / 19

1, 2 / 19

06/2019

15

10

11/2019

19 / 21

18 / 2

06/2020

3 / 4 / 7

3, 7 / 9 / 1

04/2021

29

2

10/2021

32

Tilting control assembled

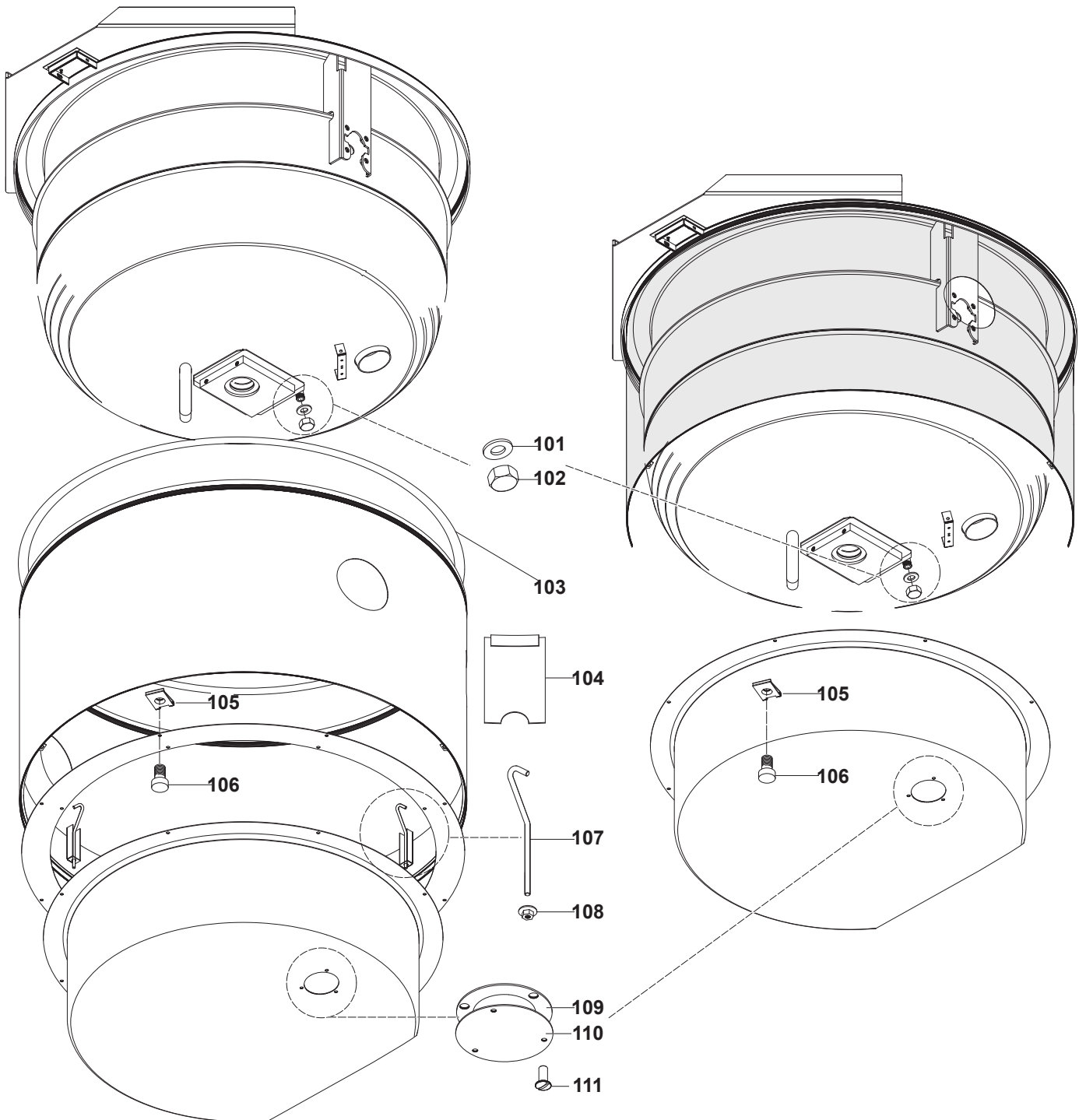
06/2023

30

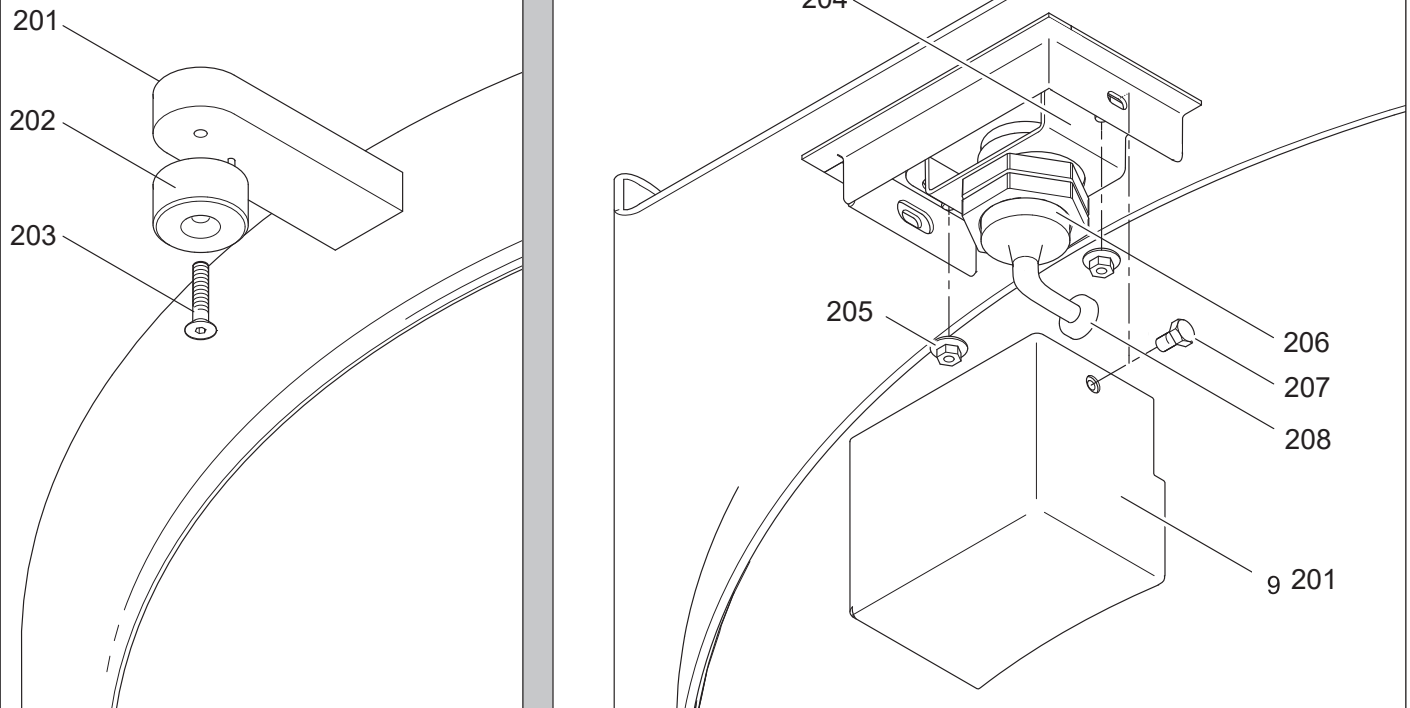
Added WFA

## OLD VERSION

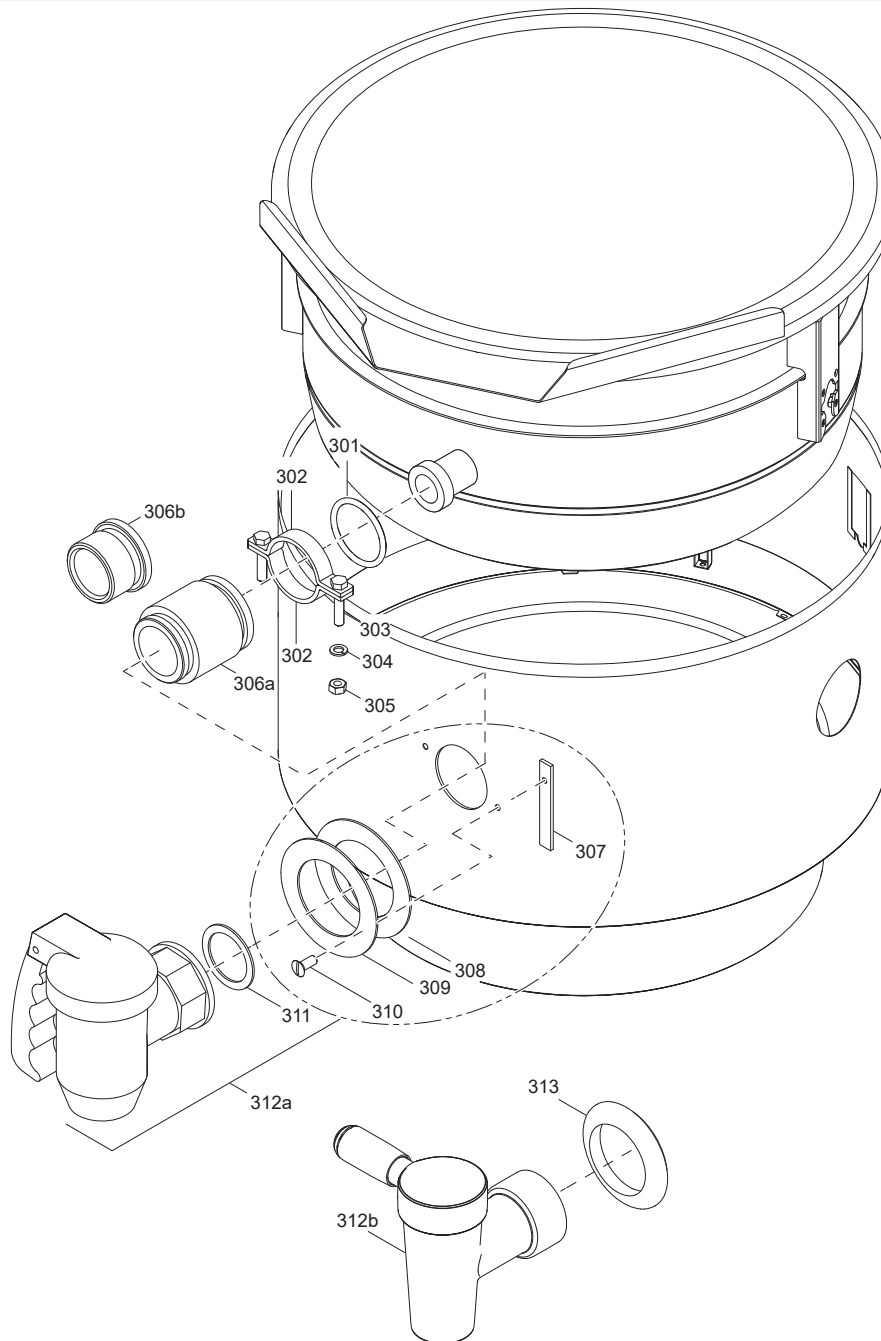
## NEW VERSION





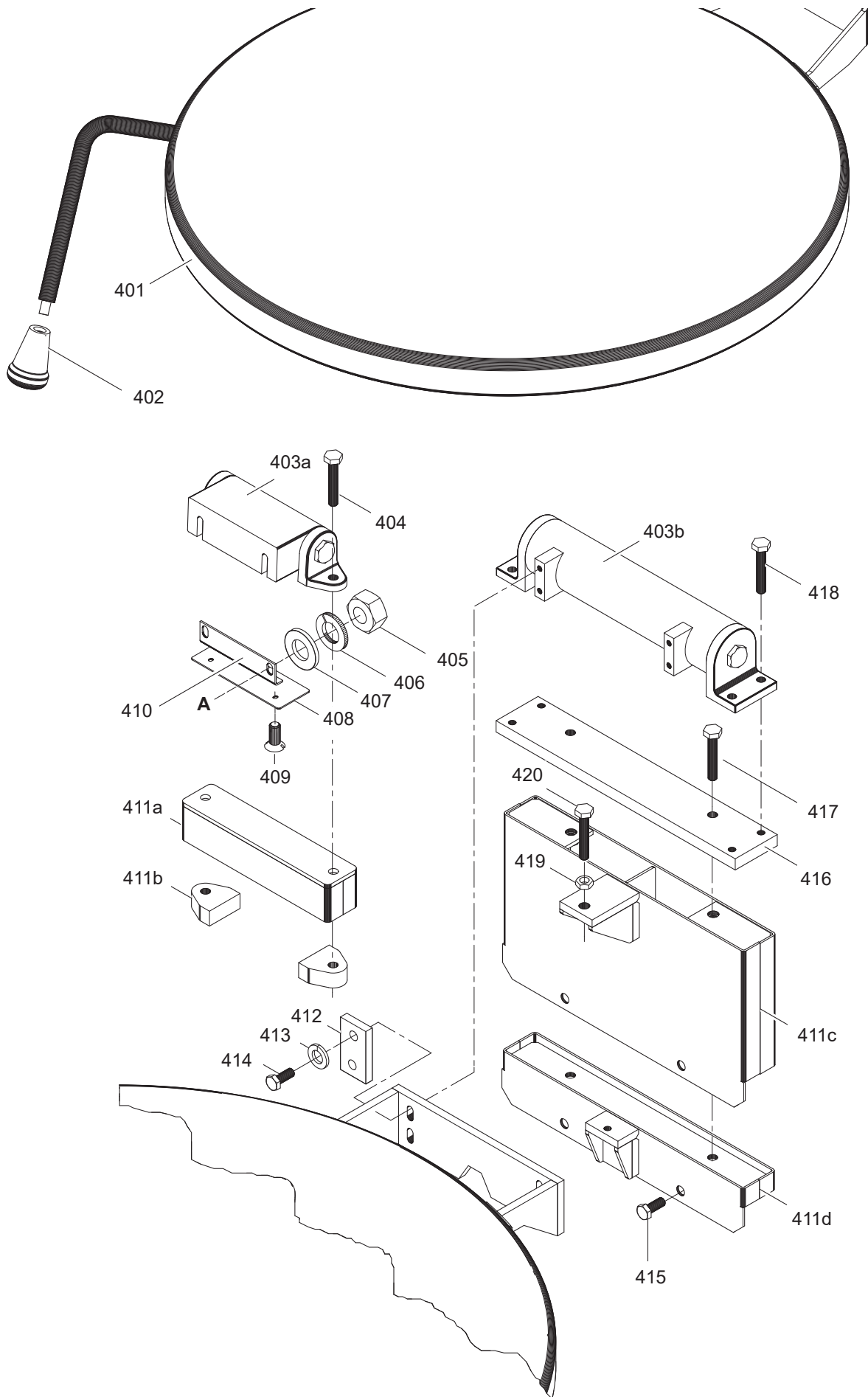


2	Alias	Code	Bezeichnung	Description	Ref.	Valid from Serial N°
201	76.4171.11	*	Deckel RW 60L	Lid Stirrer 60L	PBOT06Q	
201	76.4171.13	*	Deckel RW 100L	Lid Stirrer 100L	PBOT10Q	
201	76.4171.14	*	Deckel RW 150L	Lid Stirrer 150L	PBOT15Q	
201	76.4176.11	*	Deckel RW 200L	Lid Stirrer 200L	PBOT20Q	
201	76.4176.12	*	Deckel RW 300L	Lid Stirrer 300L	PBOT30Q	
201	76.4176.13	*	Deckel RW 400L	Lid Stirrer 400L	PBOT40Q	
202	76.9345.02	0U0179	Magneteinsatz	Magnet insert	PBOT-Q	
203	1 701 1072	0G6833	Senkschraube M5x25	Countersunk bolt	PBOT-Q	
204	76.4597	*	Halter Sicherheitsschalter	Support safety switch	PBOT-Q	
205	712 044120.04	0G4918	Kepsmutter M4	Hex nut M4	PBOT-Q	
206	76.9345.01	0U0178	Magnetschutzschalter	Solenoid switch	PBOT-Q	
207	1 701 2503	0G5490	Sechskantscharube M4x8	Hex bolt M4x8	PBOT-Q	
208	1 103 1594	0G3780	Kabeltülle Ø10/Ø6x12	Cable sleeve Ø10/Ø6x12	PBOT-Q	
209	76.4600	*	Abdeckung 60-150L	Cover 60-150L	PBOT06-15Q	until 8371...
209	87.2390.01	*	Abdeckung 60-150L	Cover 60-150L	PBOT06-15Q	8381...
209	76.4601	*	Abdeckung 20-500L	Cover 20-500L	PBOT20-50Q	until 9511...
209	87.2390.02	*	Abdeckung 20-500L	Cover 20-500L	PBOT20-50Q	9521...



3	Alias	Code	Bezeichnung	Description	Ref.	Valid from Serial N°
301	713 042130	OK5557	Dichtungsring	Sealing ring		
302	713 842019	OG3855	Klammer mit Schrauben (1/2 Klammer)	Bride with screws (1/2 bride)		
303	713 84201996	OG6837	Klammer (1/2 Klammer)	Bride (1/2 bride)		
304	1 701 5008	OKL250	Federring M8	Spring washer M8		
305	1 701 3044	OK4612	Sechskantmutter M8	Hex nut M8		
306a	76.3194	OG2540	Kupplungsstutzen 2" RUBINETTERIE	Female connector 2" RUBINETTERIE		
306b	713 042131	OK8856	Kupplungsstutzen 2" ECHTERMANN	Female connector 2" ECHTERMANN		
307	71.1235	OG4166	Gewindeplatte M4	Threaded plate M4		
308	71.1234	OG3175	Flachdichtung Ø110/72/2	Flat seal Ø110/72/2		
309	71.1233	OG4167	Hahnrosette	Round anchor plate		
310	1 701 1504	OKX205	Schraube M4x8	Screw M4x8		
311	1 101 2191	004986	Dichtungsring Ø60 ø47x2 RUBINETTERIE	Sealing ring Ø60 ø47x2 RUBINETTERIE		
312a	1 117 1258	OG5144	Sicherheitsauslaufhahn 2" RUBINETTERIE	Drain cock 2" + safety valve RUBINETTERIE		
312b	1 117 1117	OH6425	Auslaufhahn ECHTERMANN 6722.80 2"	Drain cock ECHTERMANN 6722.80 2"		
312b	87.7055	OG6498	Auslaufhahn ECHTERMANN 6726.82 2"	Drain cock ECHTERMANN 6726.82 2"		
313	87.7122		Dichtmanschette Auslaufhahn	Sealing gaiter drain cock		7031...

\* Components on demand  
\* Teile auf Anfrage

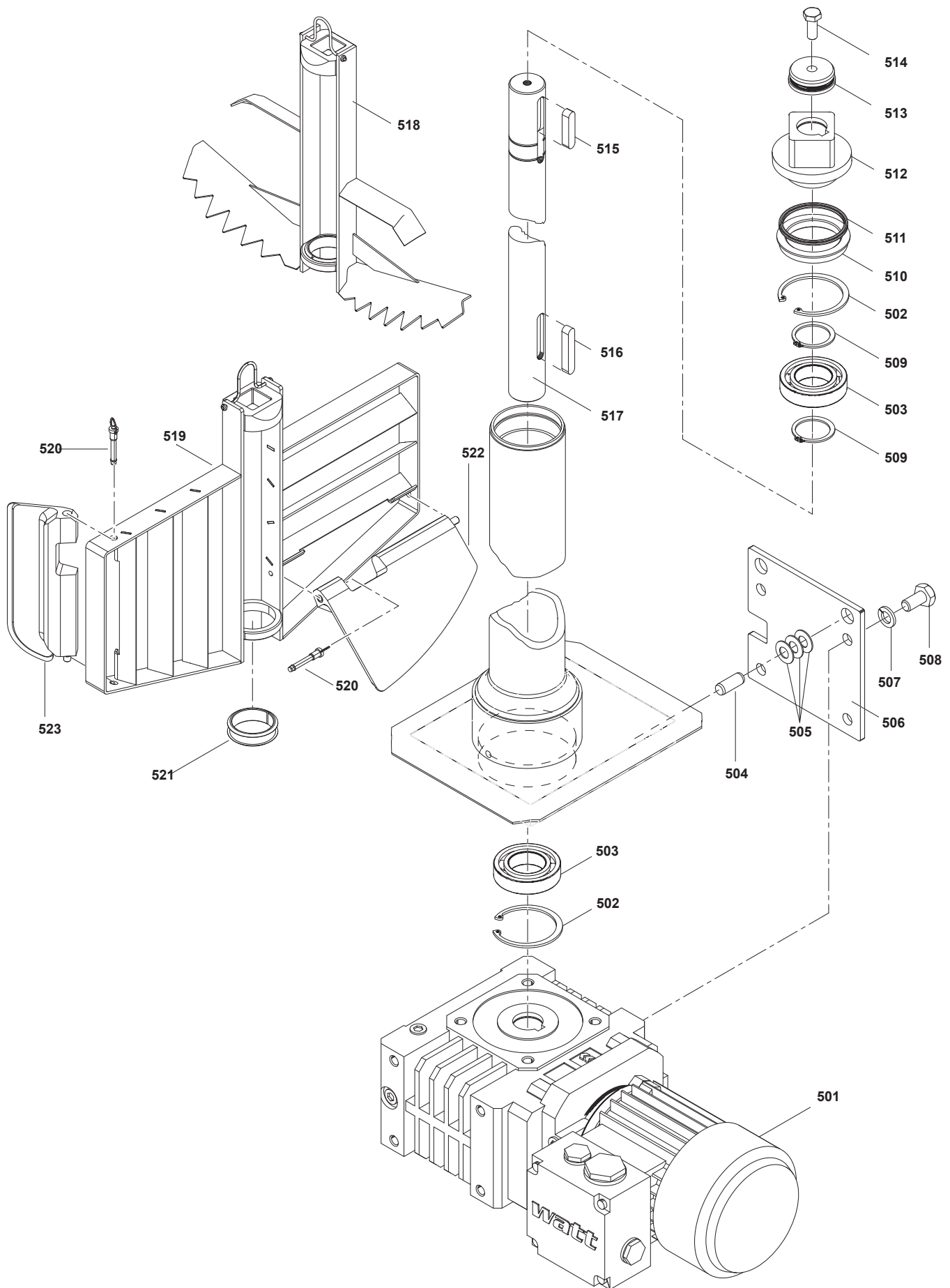


4	Alias	Code	Bezeichnung	Description	Ref.	Valid from Serial N°
401	76.4171.01		Deckel 60L	Lid 60L	PBOT06S/T	until 8371...
401	87.2389.01	OG5737	Deckel 60L	Lid 60L	PBOT06S/T	8381...
401	76.4506.01	*	Deckel 60L / 800mm Gerätetiefe	Lid 60L / 800mm appliance depth	PBOT06S/T D=800	
401	76.4171.03		Deckel 100L	Lid 100L	PBOT10S/T	until 8371...
401	87.2389.03	OG3054	Deckel 100L	Lid 100L	PBOT10S/T	8381...
401	76.4171.04	*	Deckel 150L	Lid 150L	PBOT15S/T	until 8371...
401	87.2389.04	*	Deckel 150L	Lid 150L	PBOT15S/T	8381...
401	76.4176.01		Deckel 200L	Lid 200L	PBOT20S/T	until 9511...
401	87.2432.01	OKV478	Deckel 200L	Lid 200L	PBOT20S/T	9521...
401	76.4176.02		Deckel 300L	Lid 300L	PBOT30S/T	until 9511...
401	87.2432.02	OG3781	Deckel 300L	Lid 300L	PBOT30S/T	9521...
401	76.4176.03		Deckel 400L	Lid 400L	PBOT40S/T	until 9511...
401	87.2432.03	OKX130	Deckel 400L	Lid 400L	PBOT40S/T	9521...
401	76.4171.11	*	Deckel RW 60L	Lid Stirrer 60L	PBOT06Q	until 8371...
401	87.2389.11	*	Deckel RW 60L	Lid Stirrer 60L	PBOT06Q	8381...
401	76.4171.13	*	Deckel RW 100L	Lid Stirrer 100L	PBOT10Q	until 8371...
401	87.2389.13	*	Deckel RW 100L	Lid Stirrer 100L	PBOT10Q	8381...
401	76.4171.14	*	Deckel RW 150L	Lid Stirrer 150L	PBOT15Q	until 8371...
401	87.2389.14	*	Deckel RW 150L	Lid Stirrer 150L	PBOT15Q	8381...
401	76.4176.11	*	Deckel RW 200L	Lid Stirrer 200L	PBOT20Q	until 9511...
401	87.2432.11	*	Deckel RW 200L	Lid Stirrer 200L	PBOT20Q	9521...
401	76.4176.12	*	Deckel RW 300L	Lid Stirrer 300L	PBOT30Q	until 9511...
401	87.2432.12	*	Deckel RW 300L	Lid Stirrer 300L	PBOT30Q	9521...
401	76.4176.13	*	Deckel RW 400L	Lid Stirrer 400L	PBOT40Q	until 9511...
401	87.2432.13	*	Deckel RW 400L	Lid Stirrer 400L	PBOT40Q	9521...
401	76.4171.14	*	Deckel RW 500L	Lid Stirrer 500L	PBOT50Q	until 9511...
401	87.2432.14	*	Deckel RW 500L	Lid Stirrer 500L	PBOT50Q	9521...
402	86.3253	OG6631	Griff Deckel	Handle lid		
403a	70.0750.05	OK5242	Drehgelenk	Pivot joint	60L	
403a	70.0750.06	OK5244	Drehgelenk	Pivot joint	100L/150L	
403b	71.0454.01	OK5250	Drehgelenk	Pivot joint	200L/300L/400L	
404	1 701 2545	OK1475	Sechskantschraube M10 x 50	Hex bolt M10 x 50	60L/100L	
404	1 701 2609	OG6835	Sechskantschraube M10 x 80	Hex bolt M10 x 80	150L	
405	1 701 3044	OK4612	Sechskantmutter M8	Hex nut M8	60L/100L/150L	
406	1 701 5008	OKL250	Federring M8	Spring washer M8	60L/100L/150L	
407	1 701 3513	OG6088	Unterlegscheibe 8,4 x 7,0 x 1,6	Washer 8,4 x 7,0 x 1,6	60L/100L/150L	
408	70.0765.01	OKL252	Abdeckblech Drehgelenk	Cover plate for pivot joint	60L/100L/150L	
409	1 701 1541	OG3674	Becherschraube M4 x 10	Slotted bolt M4 x 10	60L/100L/150L	
410	70.0764	OKL251	Winkel zu Drehgelenk	Angle for pivot joint	60L/100L/150L	
411a	87.2067	*	Ständer zu Drehgelenk 150L	Support for pivot joint 150L	150L	
411b	87.2174	*	Unterlage zu Drehgelenk 60L/100L	Base plate for pivot joint 60L/100L	60L/100L	
411c	76.2022.02	*	Ständer zu Drehgelenk 400L	Support for pivot joint 400L	400L	
411d	76.2022.01	*	Ständer zu Drehgelenk 300L	Support for pivot joint 300L	300L	
412	71.0455	OKL255	Unterlage	Base plate	200L/300L/400L	
413	1 701 5008	OKL250	Federring M8	Spring washer M8	200L/300L/400L	
414	1 701 2570	OG5820	Sechskantschraube M8 x 20	Hex bolt M8 x 20	200L/300L/400L	
415	1 701 2541	OK4600	Sechskantschraube M10 x 25	Hex bolt M10 x 25	200L/300L/400L	
416	71.0454.03	OKL256	Verbindungsplatte	Connection plate	200L/300L/400L	
417	1 701 2543	OK4601	Sechskantschraube M10 x 35	Hex bolt M10 x 35	200L/400L	
417	1 101 8188	OG6836	Sechskantschraube M10 x 60	Hex bolt M10 x 60	300L	
418	1 701 2541	OK4600	Sechskantschraube M10 x 25	Hex bolt M10 x 25	200L/300L/400L	
419	1 701 3062	OG6837	Sechskantmutter M12	Hex nut M12	300L/400L	
420	1 701 2549	OG6849	Sechskantschraube M12 X 35	Hex bolt M12 x 35	300L/400L	

\* Components on demand  
\* Teile auf Anfrage

Doc. № 599A2B900 / 87.8022.02

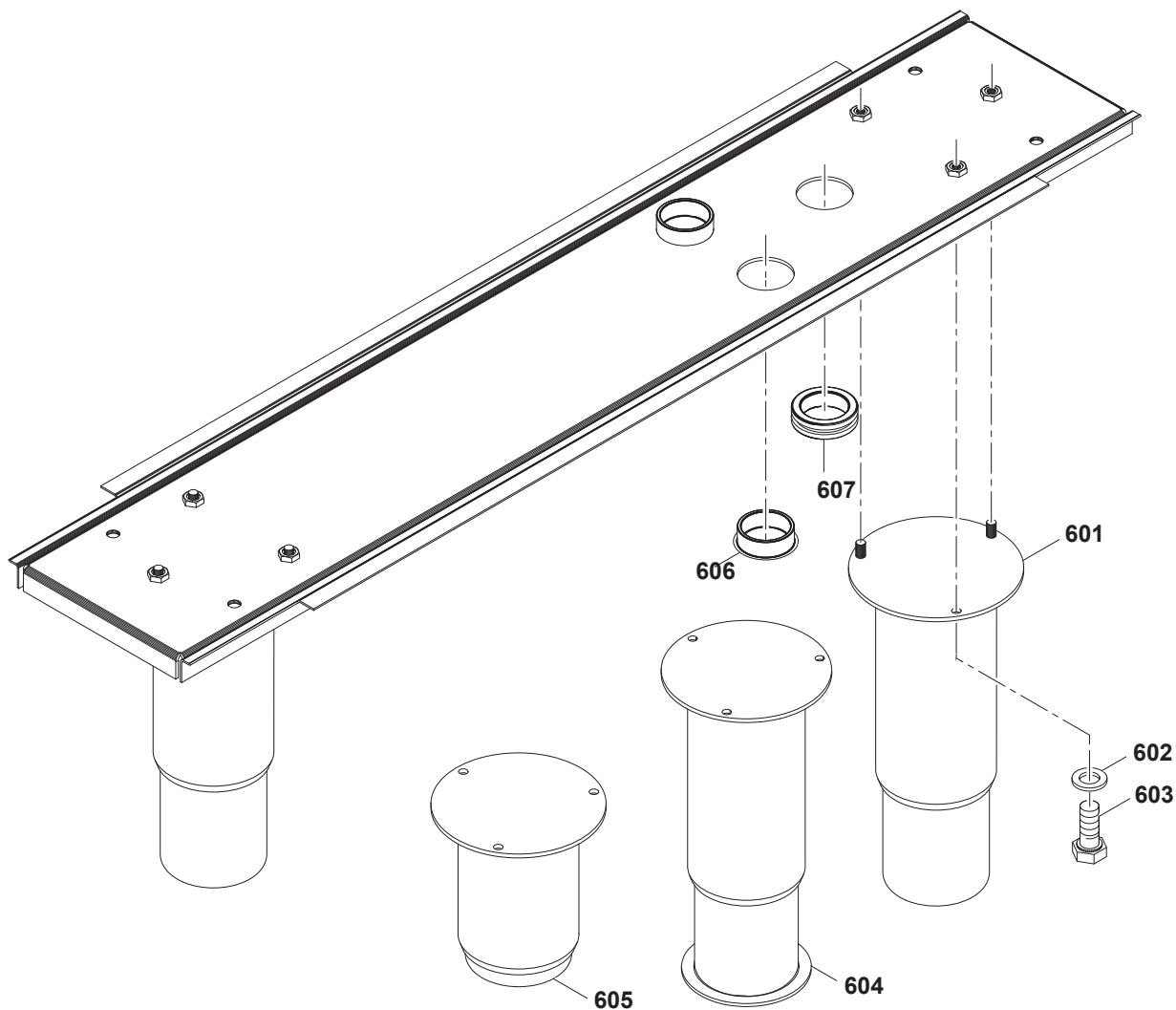
Page: 7



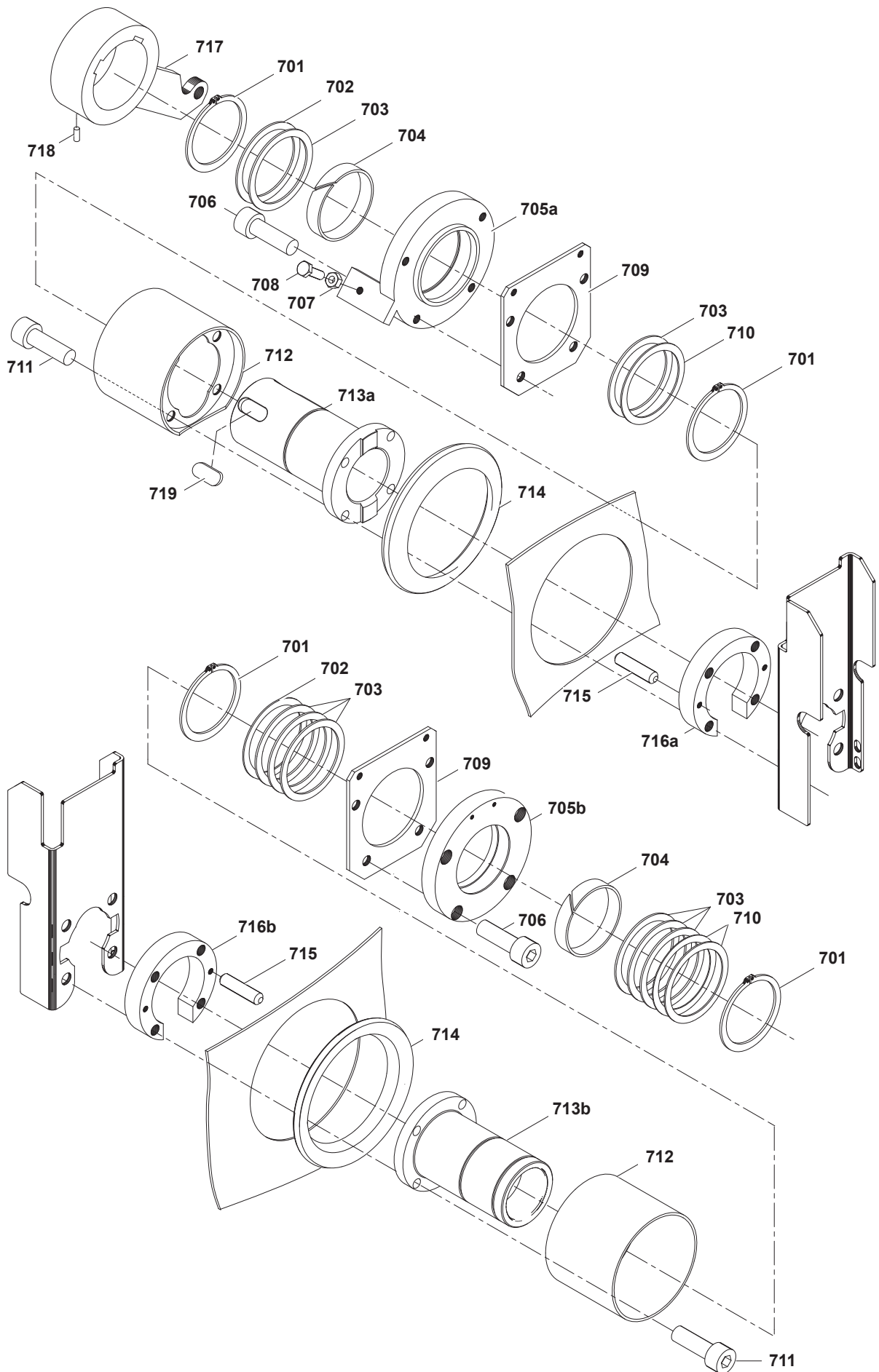


5	Alias	Code	Bezeichnung	Description	Ref.	Valid from Serial N°
501	76.3046.01	0G2112	Getriebemotor P=0.25kW	Gear motor P=0.25kW	PBOT06Q	
501	76.3047.01	0G2113	Getriebemotor P=0.37kW	Gear motor P=0.37kW	PBOT10-40Q	
501	87.7131	0G8001	Getriebemotor P=3.8kW	Gear motor: P=3.8kW	PBOT15-30V	
502	70.0809.03	0K6217	Sicherungsring Ø55	Circlip ring Ø55		
503	70.0808.03	0K5259	Rillenkugellager 30x55x13	Grooved ball bearing 30x55x13		
504	1 701 7095	0G3671	Zylinderstift Ø8x25	Dowel pin Ø8x25	PBOT06Q	
504	1 701 7096	0G3275	Zylinderstift Ø10x25	Dowel pin Ø20/Ø8.2x0.9	PBOT10-40Q	
505	1 201 1931	0G3492	Tellerfeder Ø20/Ø8.2x0.9	Belleville washer Ø20/Ø8.2x0.9	PBOT06Q	
505	1 201 1932	0G3276	Tellerfeder Ø20/Ø10.2x1	Belleville washer Ø20/Ø10.2x1	PBOT10-40Q	
506	76.4179	0G3665	Platte Motorbefestigung	Motor support	PBOT06Q	
506	76.4205	0G3773	Platte Motorbefestigung	Motor support	PBOT10-40Q	
506	87.2287		Platte Motorbefestigung	Motor support	PBOT15-30V	
507	1 701 5008	0KL250	Federring M8	Spring washer M8	PBOT06Q	
507	1 701 5040	0K4616	Federring M10	Spring washer M10	PBOT10-40Q	
508	1 701 2525	0K4599	Sechskantschraube M8x16	Hex bolt M8x16	PBOT06Q	
508	1 701 1565	0G6838	Sechskantschraube M10x20	Hex bolt M10x20	PBOT10-40Q	
509	70.0810.02	0K4547	Sicherungsring Ø30	Circlip ring Ø30		
510	76.4010.KD	0G5153	Dichtungsring Ø62/45x6	Sealing ring Ø62/45x6		
511	1 201 1933	0KG261	Dichtungsring Ø50.4x3.53	Sealing ring Ø50.4x3.53		
512	76.4009.KD	0G4656	Wellenzapfen	Journal		
513	76.4008	0K5588	Wellendeckel	Shaft end cap		
514	1 701 2570	0G5820	Sechskantschraube M8x20	Hex bolt M8x20		
515	70.0820.04	0KX276	Passfeder 8x7x45	Feather key 8x7x45		
516	70.0820.02	0K6227	Passfeder 8x7x36	Feather key 8x7x45		
517	76.4669.03	0G4465	Welle Rührwerk 60L	Shaft stirrer 60L	PBOT06Q	
517	76.4669.05	0G4027	Welle Rührwerk 100L	Shaft stirrer 100L	PBOT10Q	
517	76.4669.07	0KV455	Welle Rührwerk 150L	Shaft stirrer 150L	PBOT15Q	
517	76.4669.08	0G4180	Welle Rührwerk 200L	Shaft stirrer 200L	PBOT20Q	
517	76.4669.09	0G4008	Welle Rührwerk 300L	Shaft stirrer 300L	PBOT30Q	
517	76.4669.10	0G4390	Welle Rührwerk 400L	Shaft stirrer 400L	PBOT40Q	
518	87.2374.06		Ankerrührer 150L	Anchor stirrer 150L	PBOT15V	
518	87.2374.07		Ankerrührer 200L	Anchor stirrer 200L	PBOT20V	
518	87.2374.08		Ankerrührer 300L	Anchor stirrer 300L	PBOT30V	
	1 201 1547	0K4527	Kleber Loctite 243 (50mL)	Glue Loctite 243 (50mL)		
	1 201 1937	0G4569	Klüber UH1 84-201 Schmierpaste (600g)	Klüber UH1 84-201 lubrication (600g)		
	76.9123	0G5919	Kabel: Thermorelais - Motor	Cable: thermal relay - motor		
519	87.7130.03	0G8347	Giterrührer Ohne Abstreifer	Stirrer without scrapers	PBOT06	8291...
519	87.7130.04	0G8348	Giterrührer Ohne Abstreifer	Stirrer without scrapers	PBOT10	8291...
519	87.7130.05	0G8349	Giterrührer Ohne Abstreifer	Stirrer without scrapers	PBOX15	8291...
519	87.7130.06	0G8350	Giterrührer Ohne Abstreifer	Stirrer without scrapers	PBOT20	8291...
519	87.7130.07	0G8351	Giterrührer Ohne Abstreifer	Stirrer without scrapers	PBOT30	8291...
519	87.7130.08	0G8352	Giterrührer Ohne Abstreifer	Stirrer without scrapers	PBOT40	8291...
519	87.7130.09	0G8353	Giterrührer Ohne Abstreifer	Stirrer without scrapers	PBOT50	8291...
519	76.0240.02		Giterrührer Ohne Abstreifer UL	Stirrer without scrapers UL	BOT100	Until 8281...
519	76.0240.03		Giterrührer Ohne Abstreifer UL	Stirrer without scrapers UL	BOT150	Until 8281...
519	76.0240.04		Giterrührer Ohne Abstreifer UL	Stirrer without scrapers UL	BOT200	Until 8281...
519	76.0240.05		Giterrührer Ohne Abstreifer UL	Stirrer without scrapers UL	BOT300	Until 8281...
520	1 701 2789	0G5041	Kugelsperrbolzen	Lock pin		
521	76.0246	0G5766	Lagerbüchse	Bearing bush		
522	87.0249.01	0G8329	Abstreifer Horizontal	Horizontal scraper	PBOT06	8291...
522	87.0249.02	0G8330	Abstreifer Horizontal	Horizontal scraper	PBOT10	8291...
522	87.0249.03	0G8331	Abstreifer Horizontal	Horizontal scraper	PBOX15	8291...
522	87.0249.04	0G8332	Abstreifer Horizontal	Horizontal scraper	PBOT20	8291...
522	87.0249.05	0G8333	Abstreifer Horizontal	Horizontal scraper	PBOT30-50	8291...
522	76.0261.02	0G5520	Abstreifer Horizontal UL	Horizontal scraper UL	BOT100	Until 8281...
522	76.0261.03	0G5521	Abstreifer Horizontal UL	Horizontal scraper UL	BOT150	Until 8281...
522	76.0261.04	0G5522	Abstreifer Horizontal UL	Horizontal scraper UL	BOT200	Until 8281...

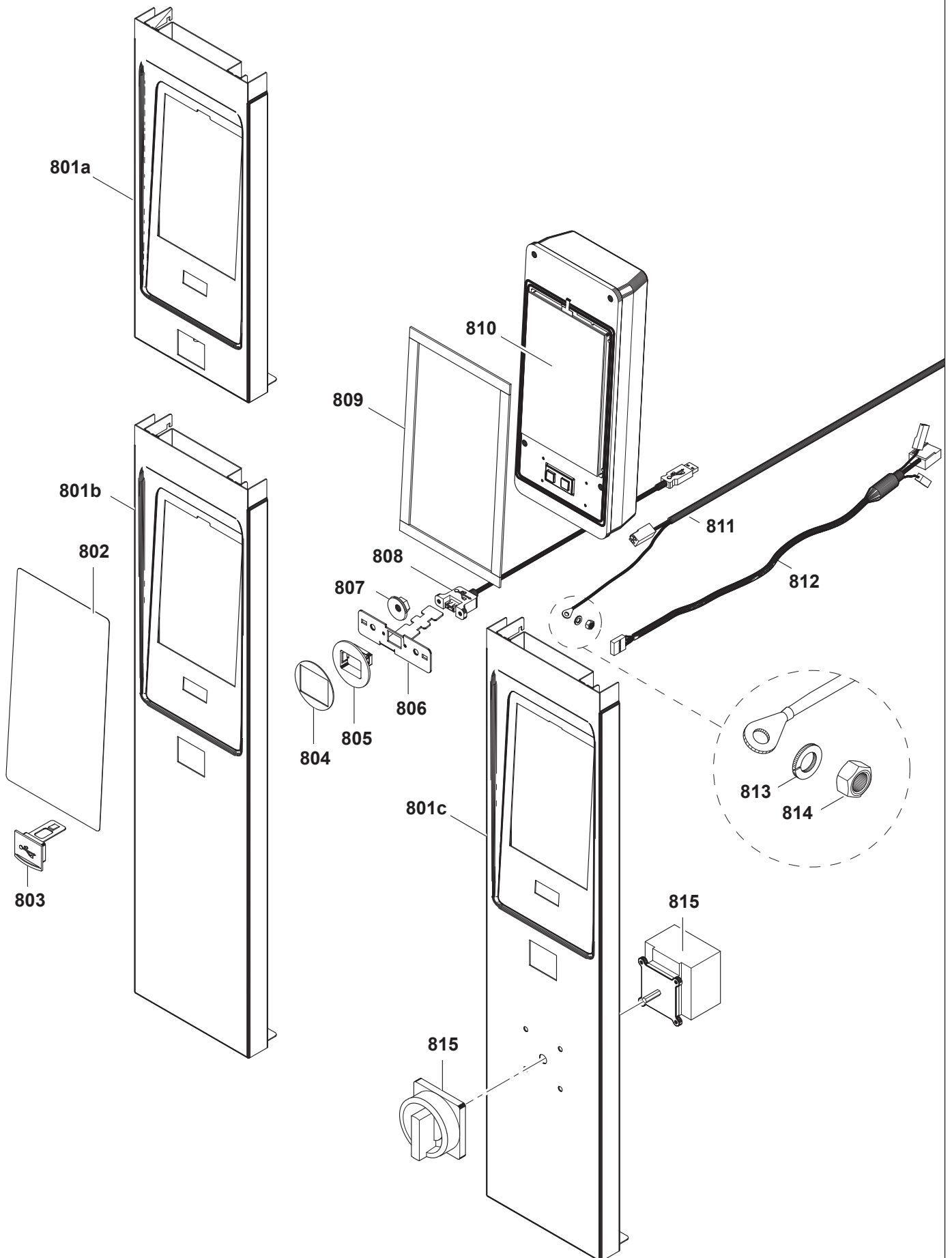




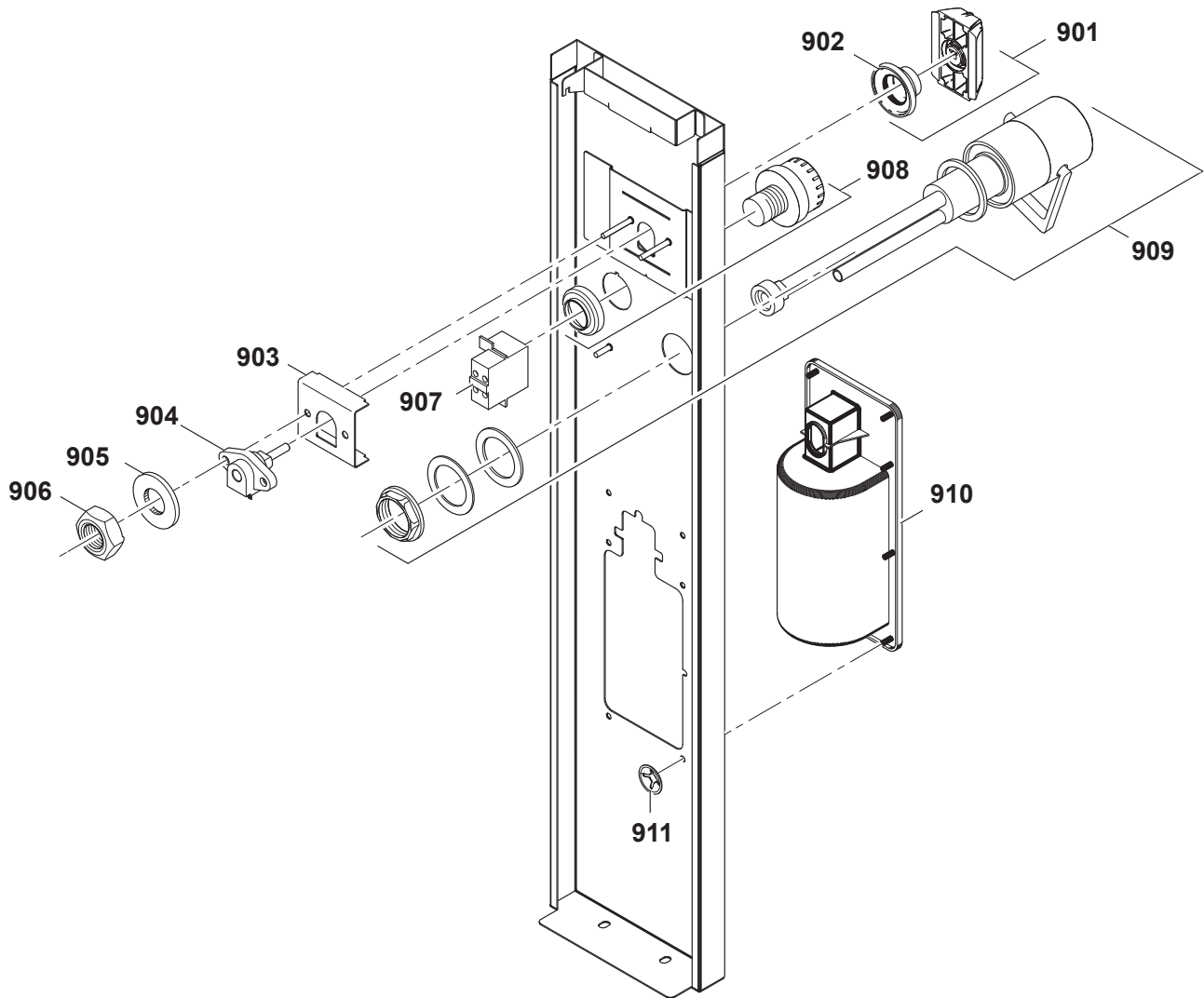
6	Alias	Code	Bezeichnung	Description	Ref.	Valid from Serial N°
601	72.4249	059218	Stellfuss 2" H200	Adjustible feet 2" H200	Standard + UL H700	
602	1 701 5004	0H9734	Federscheibe M5	Spring washer M5		
603	1 701 2509	0K4598	Sechskantschraube M5x12	Hex bolt M5x12		
604	72.4250.01	OG7274	Stellfuss 2" Marine H200	Adjustible feet 2" Marine H200	Marine	
605	72.4344	OG2948	Stellfuss 2" H100	Adjustible feet 2" H100	Standard H800	
606	1 201 1925	OG7248	Abdeckkappe	Cover cap		
607	712 044961.17	OKT854	Kabeltülle Ø25 Ø31 Ø35 x 10	Cable sleeve Ø25 Ø31 Ø35 x 10		





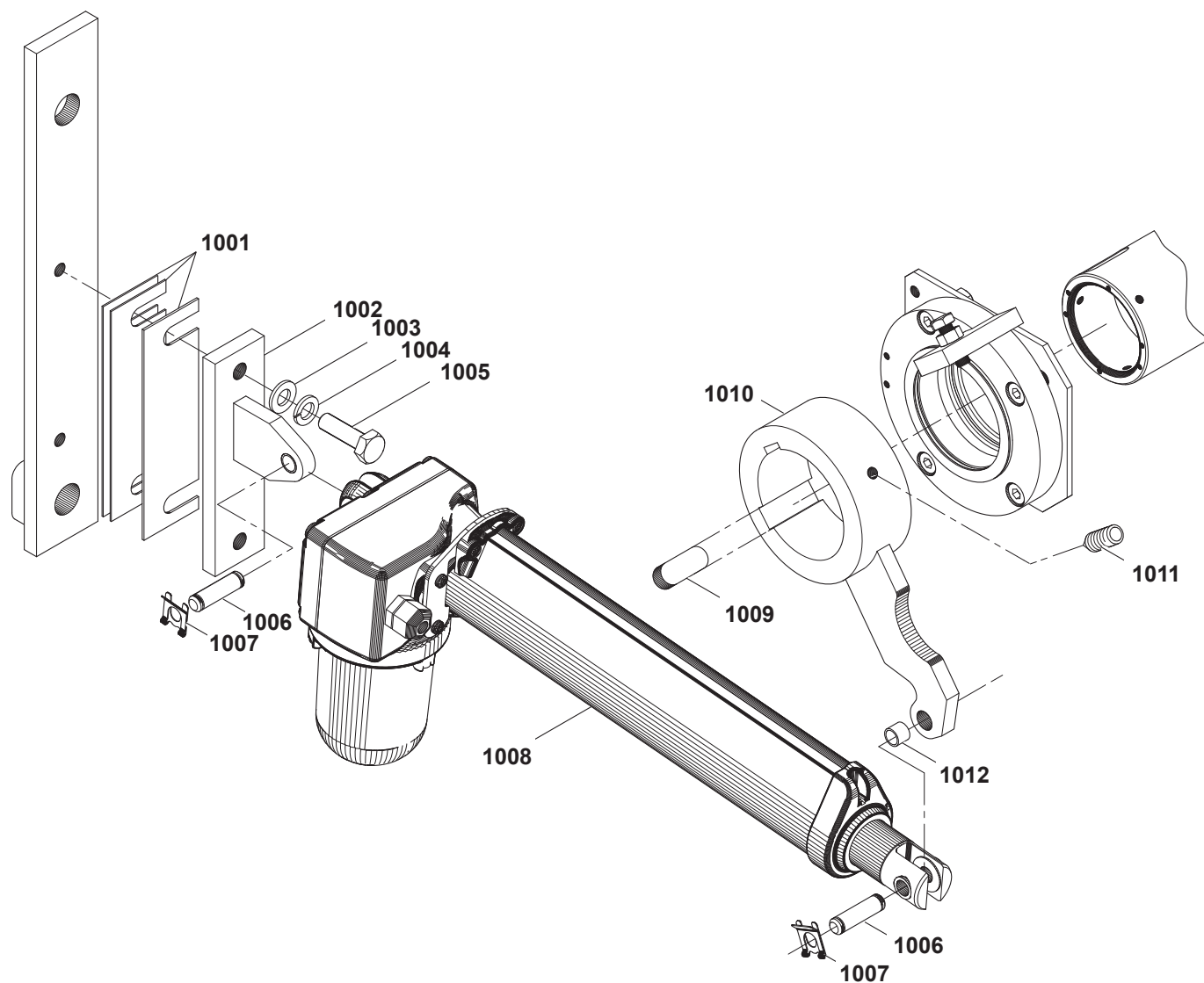


8	Alias	Code	Bezeichnung	Description	Ref.	Valid from Serial N°
801a	87.1013.03	0G7714	Steuerfront	UI panel	400H 800/900/1000 depth	
801b	87.1013.01	*	Steuerfront	UI panel	700H 800/900/1000 depth	
801b	87.1013.02	*	Steuerfront	UI panel	800H 800/900/1000 depth	
801c	87.1013.07	*	Steuerfront mit Hauptschalter	UI panel with main switch	700H 800/900/1000 depth	
801c	87.1013.08	*	Steuerfront mit Hauptschalter	UI panel with main switch	800H 800/900/1000 depth	
801c	87.1013.15	*	Steuerfront mit Hauptschalter	UI panel with main switch	400H 900 depth (1000 depth)	
801c	87.1013.16	*	Steuerfront mit Hauptschalter	UI panel with main switch	700H 900 depth (1000 depth)	
801c	87.1013.17	*	Steuerfront mit Hauptschalter	UI panel with main switch	800H 900 depth (1000 depth)	
802	87.1008	0G6081	Folie	Foil		
803	87.9004	0C6546	Abdeckkappe zu USB	USB cover		
804	87.9005	0G7687	Dichtung zu USB	USB sealing		
805	87.9003	0C6547	Halter zu USB	USB support		
806	87.1014	0G7715	Blech zu USB	USB fixation sheet		
807	712 044120.04	0G4918	Kepsmutter M4	Hex nut M4		
808	87.9030	0C6566	Kabel COPUI40-USB	Cable COPUI40-USB		
809	87.7117		Dichtung Steuerung	Sealing user interface		
810	87.9043_0	0G5909	Steuerung komplett	User interface assembled		until 9171...
810	87.9043_1	0G6990	Steuerung komplett	User interface assembled		from 5181... to 9171...
810	87.9242	0G8585	Steuerung komplett COPUI70	User interface COPUI70 assembled		9181...
811	87.9010	0G5956	Kabel Klemmen-COPUI40S	Cable terminal-COPUI40S		
811	87.9222		Kabel Klemmen-COPUI40S Marine	Cable terminal-COPUI40S Marine	Marine 400/440V	
812	87.9033	0G5957	Kabel COPUI40-COP20	Cable COPUI40-COP20		
813	1 701 5004	0H9734	Federring M5	Spring washer M5		
814	1 701 3008	0G6111	Sechskantmutter M5	Hex nut M5		
815	76.9164.01	0G2137	Hauptschalter 25A	Main switch 25A		
815	76.9149.02		Kabel 5x2.5mm <sup>2</sup> L=1400	Cable 5x2.5mm <sup>2</sup> L=1400		
815	76.9164.02	0K4979	Hauptschalter 63A	Main switch 63A		
815	76.9149.06	0G7114	Kabel 5x6mm <sup>2</sup> L=1400	Cable 5x6mm <sup>2</sup> L=1400		
815	76.9164.03	0K4980	Hauptschalter 80A	Main switch 80A		
815	76.9149.10		Kabel 5x16mm <sup>2</sup> L=1400	Cable 5x16mm <sup>2</sup> L=1400		
815	76.9164.04	0G3828	Hauptschalter 125A	Main switch 125A		
	87.9227	0G7997	Kabel COPUI40D-Inverter Kommunikation	Cable: COPUI40D-Inverter communication	PBOTxxV	



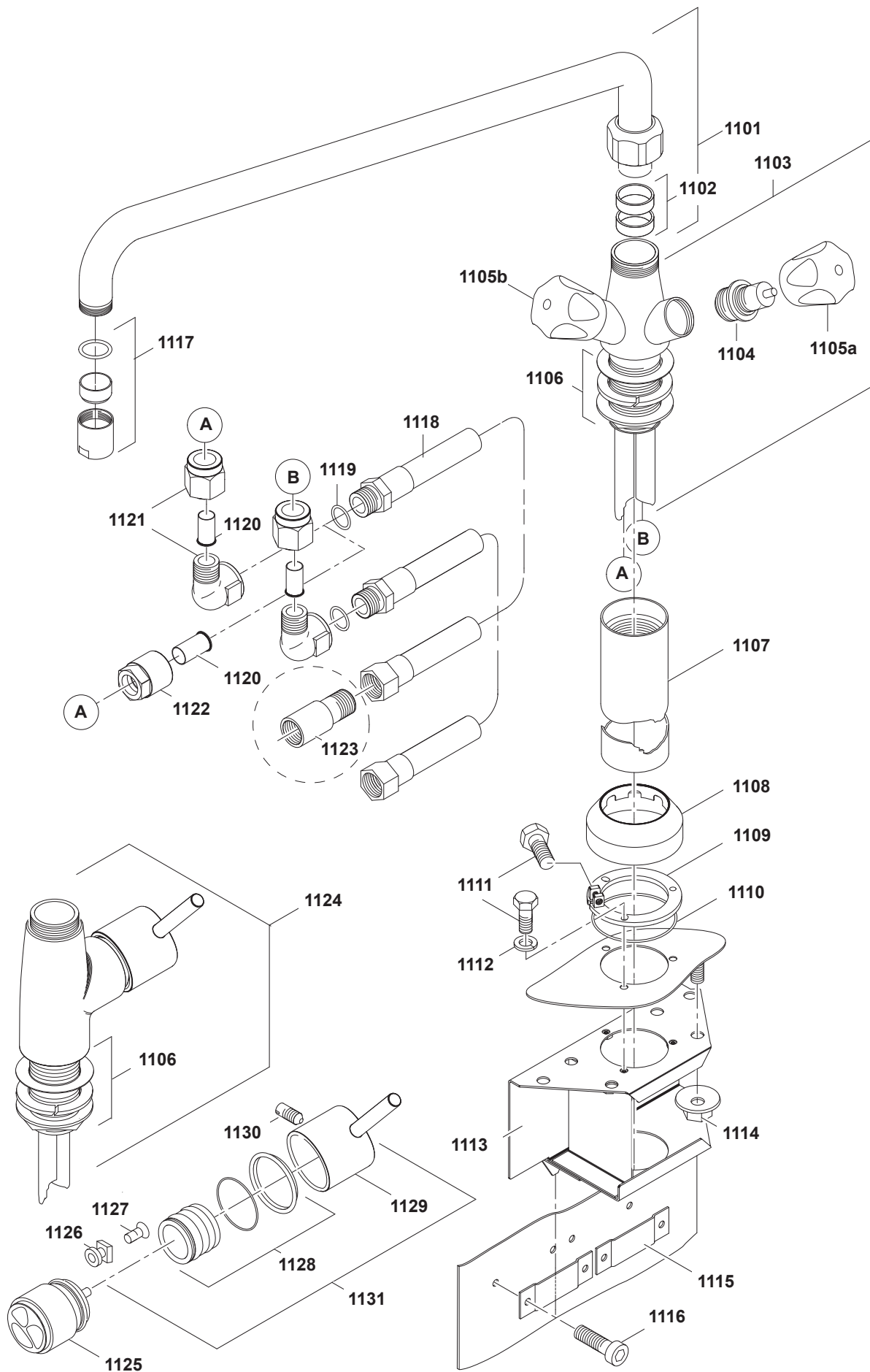
9	Alias	Code	Bezeichnung	Description	Ref.	Valid from Serial N°
901	87.7072_0.KD	0G6644	Drehgriff komplett	Handle with adapter and sealing		
902	82.7009	0G6247	Dichtung Drehgriff	Sealing handle		
903	87.1363	0G7236	Abstandsblech	Spacer		
904	87.9118	0G6267	Kipppotentiometer 7POT5KEO	Tilting potentiometer 7POT5KEO		
905	1 701 3502	0G3595	Unterlegscheibe Ø4,3 x Ø9,0 x 0,8	Wascher Ø4,3 x Ø9,0 x 0,8		
906	1 701 3004	0K4606	Sechskantmutter M4x0.8	Hex nut M4x0.8		
907	76.9108.02	0K5160	Kontaktgeber Notaus	Terminal emergency stop		
908	76.9075.03	0KX129	Notausschlater	Emergency stop button		
909	86.7120	0G6839	Einhebelmischer	One-lever mixer tap		until 9051...
910	86.7124	0G7860	Frontblende Spray Gun	Front panel spray gun		
911	1 701 5083	0G6850	Quicklock-Scheibe	Quicklock fixing washer		



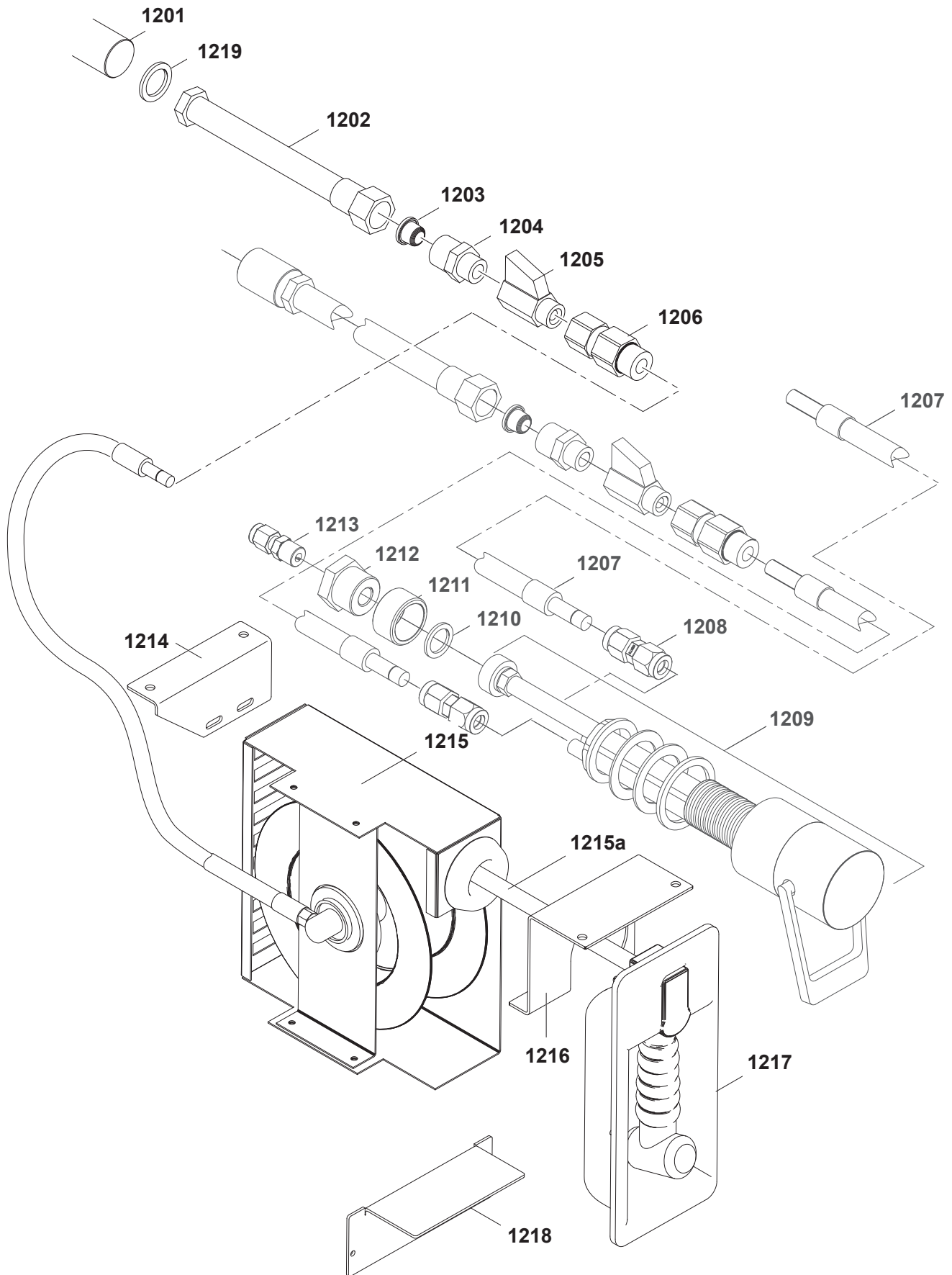


10	Alias	Code	Bezeichnung	Description	Ref.	Valid from Serial N°
1001	76.0066.01	OK5492	Zwischenblech 1mm	Spacer sheet 1mm		
1001	76.0066.03	OK5494	Zwischenblech 1,5mm	Spacer sheet 1,5mm		
1002	76.0162	OG2930	Motorhalter	Motor support	Depth 900	
1002	76.0163	OG6384	Motorhalter	Motor support	Depth 1000	
1003	1 701 3516	OT5917	Unterlegscheibe Ø10.5 x Ø21 x 2	Washer Ø10.5 x Ø21 x 2		
1004	1 701 5040	OK4616	Federring M10	Spring washer M10		
1005	1 701 2543	OK4601	Sechskantschraube M10x35	Hex bolt M10x35		
1006	87.7041	OG6840	Bolzen M10x30	Pin M10x30		
1007	1 201 1927	OK5499	Federklammer Ø10	Spring clip Ø10		
1008	87.9113	OG6269	Kippmotor SIR 3000N lang 6814421	Tilting motor SIR 3000N lang 6814421	60L - 150L	4141...
1008	87.9112	OG6268	Kippmotor SIR 6000N lang 6814420	Tilting motor SIR 6000N lang 6814420	200L - 400L	until 7511...
1008	87.9240	OG8106	Kippmotor SIR 6000N lang 6170153	Tilting motor SIR 6000N long 6170153	400L - 500L	7521...
1008	76.3090	OK4753	Kippmotor 3000N lang	Tilting motor 3000N long	60L (D900) - 150L	3401...
1008	76.3091	OK4754	Kippmotor 8000N lang	Tilting motor 8000N long	200L - 500L	3401...
1009	1 201 1907	OKT929	Passfeder 14x9x36	Feather key 14x9x36		
1010	76.2027.01	OG7635	Kipphebel	Rocker arm	Depth 900/1000	
1010	76.2027.02	*	Kipphebel	Rocker arm	Depth 800	
1011	1 701 7094	OG4248	Gewindestift m. Innensechskant M8x12	Allen set screw M8x12		
1012	76.4115	OK5498	Lager GLEIT-PERAGLIDE	Fiberglass		

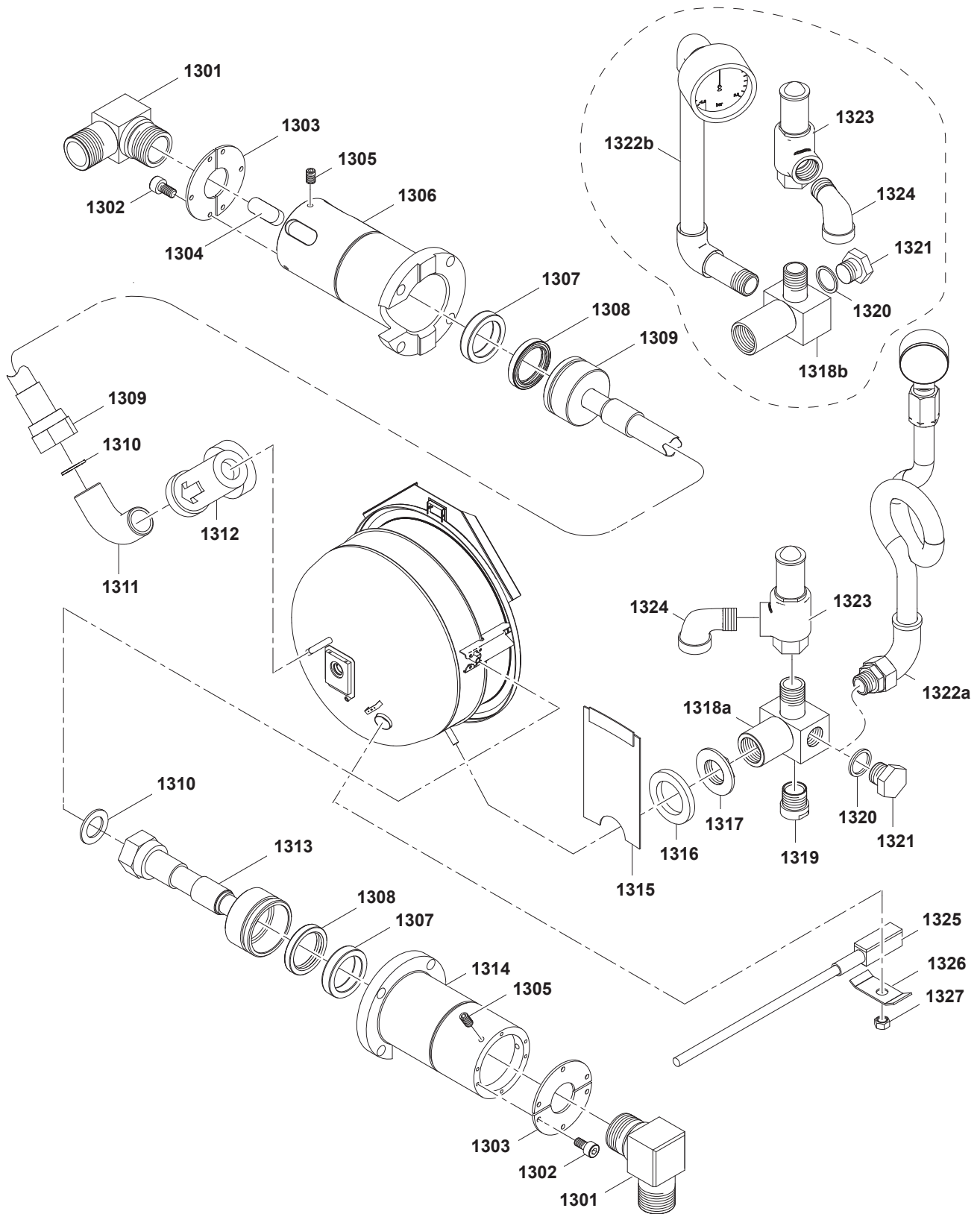
\* Components on demand  
\* Teile auf Anfrage



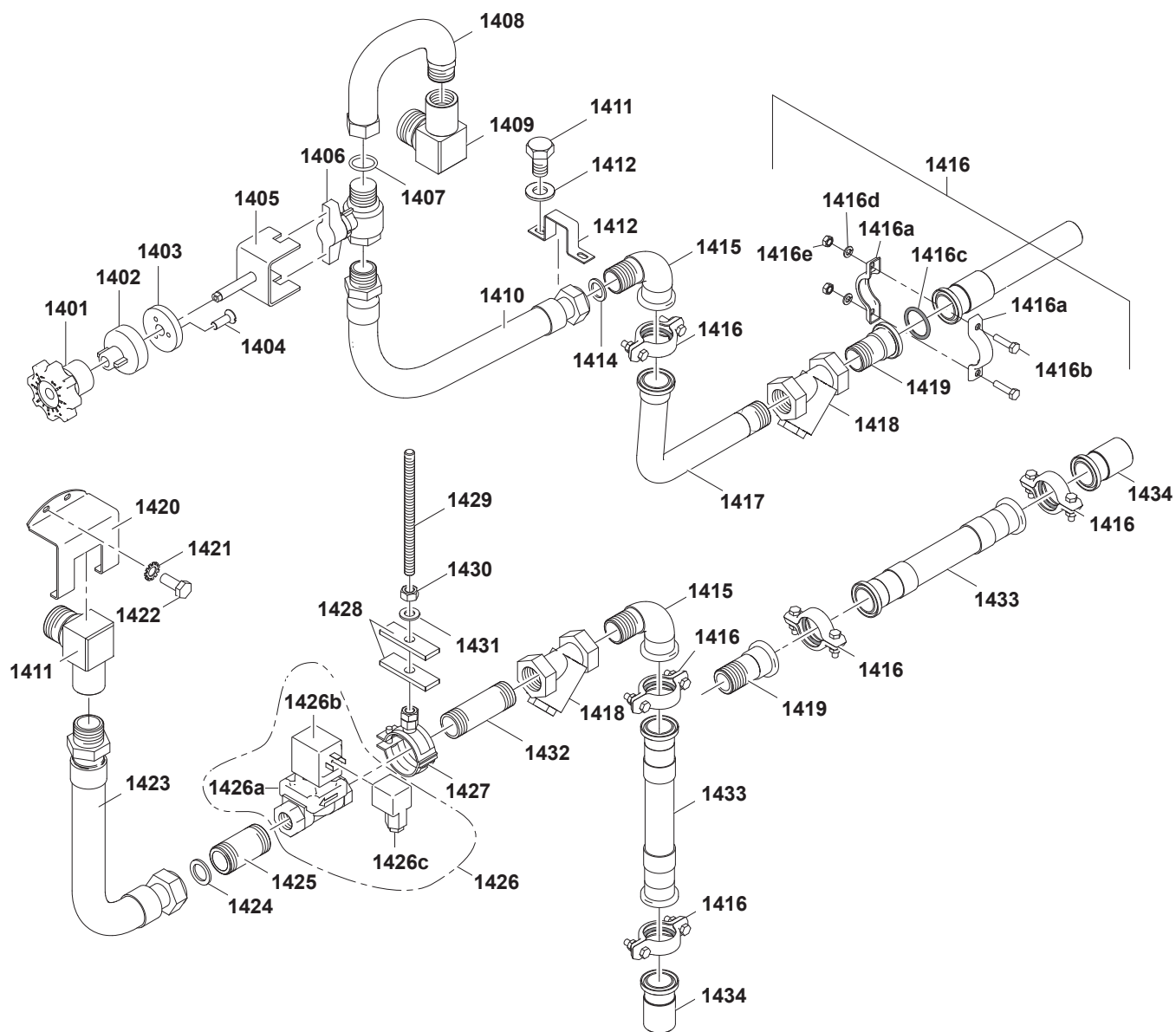
11	Alias	Code	Bezeichnung	Description	Ref.	Valid from Serial N°
	76.2013.01_KD	OKL304	Kit Zweihebel-Mischbatterie 330x600mm Kit enthält Pos.: 1-16, 18-20, 22	Kit mixing tap, 2 knobs, 330x600mm Kit contains pos.: 1-16, 18-20, 22		
1101	712 344884.04	OK5360	KWC Schwenkauslauf 3/4", 600mm	KWC swivel spout 3/4", 600mm		
1101	712 344884.03	OK5358	KWC Schwenkauslauf 3/4", 450mm	KWC swivel spout 3/4", 450mm		
1101	712 344884.02	OK5359	KWC Schwenkauslauf 3/4", 300mm	KWC swivel spout 3/4", 300mm		
1102		OK3930	Dichtungsringe	Sealing rings		
1103	712 344884.01	OK5355	KWC Zweihebel-Mischbatterie	KWC Mixing tap, 2 knobs		
1104		OK5357	Ventileinsatz 3/4"	Valve insert 3/4"		
1105a		OK5826	Griff blau	Knob blue		
1105b		OK5827	Griff rot	Knob red		
1106		OG3239	Set Verschraubung 5/4"	Kit Fixation 5/4"		
1107	72.5976.01	OG5227	Standrohr 460mm	Stand pipe 460mm		
1107	72.5976.02	OG3179	Standrohr 330mm	Stand pipe 330mm		
1107	72.5976.03	OG4753	Standrohr 160mm	Stand pipe 160mm		
1108	72.0435	OG3091	Rosette zu Standrohr	Stand pipe collar		
1109	72.5919	OKT745	Sicherungsring	Fixation ring		
1110	712 044480.14	OKT793	O-Ring ORM 0530-20	Joint ORM 0530-20		
1111	1 701 2632	OG3677	Sechskantschraube M4 x 16	Hex bolt M4x16		
1112	1 701 5002	OKL273	Federring M4	Spring washer M4		
1113	76.0119.01	OT2658	Konsole Mischbatterie	Console mixing tap		
1114	712 044120.05	OG3998	Kepsmutter M5	Keps nut M5		
1115	76.0033	OG3979	Hutprofil	Clamping profile		
1116	1 101 8129	OG3676	Innensechskantschraube M5 x 16	Allen bolt M5 x 16		
1117		OG3238	Tropfenschutz 3/4"	Drip stop 3/4"		
1118	712 344893.01	OKW734	Panzerschlauch L1700 G1/2" / R1/2"	Armored hose L1700 G1/2" / R1/2"		until 9441...
1118	87.7188.01	OG8753	Panzerschlauch L1700 G1/2" - I/A	Armored hose L1700 G1/2" - I/A		9451...
1118	712 344893.02	OK5363	Panzerschlauch L1100 G1/2" / R1/2"	Armored hose L1100 G1/2" / R1/2"		until 9441...
1118	87.7188.02	OG8754	Panzerschlauch L1100 G1/2" - I/A	Armored hose L1100 G1/2" - I/A		9451...
1118	712 344893.03	OG6530	Panzerschlauch L600 G1/2"	Armored hose L600 G1/2"		until 9441...
1118	87.7188.03	OG8755	Panzerschlauch L600 G1/2" - I/A	Armored hose L600 G1/2" - I/A		9451...
1119	712 044481.21	OG3610	Flachdichtung Ø 18/11x2 G1/2"	Flat seal Ø 18/11x2 G1/2"		until 9051...
1119	87.2429	OG8524	Dichtung 18x11x2	Gasket 18x11x2		9061...
1120	1 101 3797	OKE129	Stützhülse	Sleeve		
1121	1 101 3798	OK4489	Winkel-Anschluss G1/2"	Angle connection G1/2"		
1122	1 101 2075	OKX119	Anschluss G1/2"	Connection G1/2"		
1123	87.5168	OG6646	WFA Adapter G1/2"	WFA Adapter G1/2"		
1124	712 344884.05	*	KWC Einhebel-Mischbatterie	KWC mixing tap, one lever		
1125		OK1140	Steuerpatrone	Mixer tap cartridge		
1126	Z.632.240	KWC	Kunststoffeinsatz	Plastic insert		
1127	Z.602.997	KWC	Schraube M4 x 15	Screw M4 x 15		
1128	Z.535.675	KWC	Befestigung mit Gleitringen	Fixation with slide rings		
1129	Z.634.829	KWC	Bedienhebel , chrom	Control lever, chrome		
1130	Z.605.952	KWC	Gewindestift M6 x 10	Set screw M6 x 10		
1131	Z.535.674	KWC	Bedienhebel mit Befestigung	Control lever with fixation		





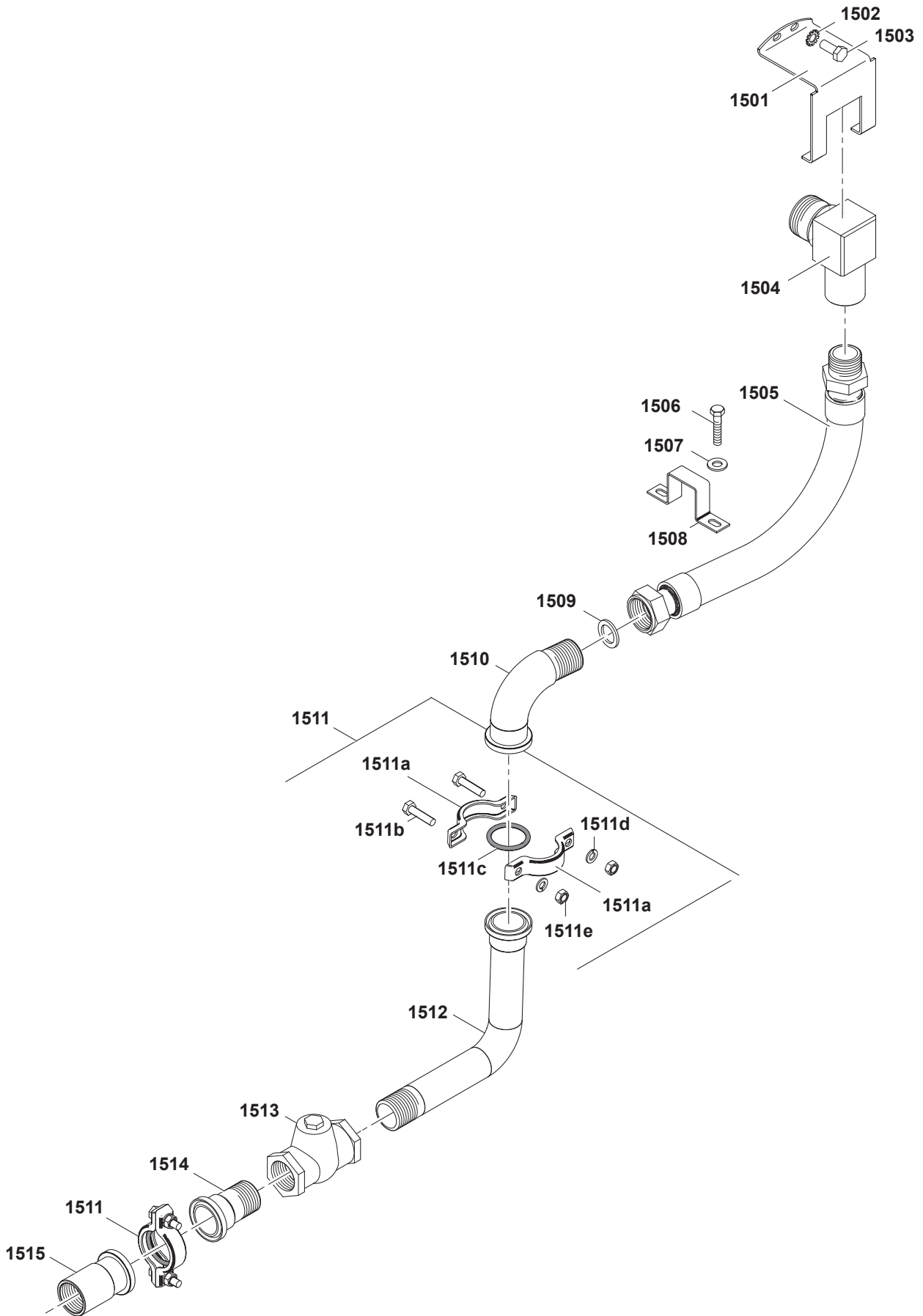


13	Alias	Code	Bezeichnung	Description	Ref.	Valid from Serial N°
1301	76.2071	OKT721	Gelenkzapfen	Angle fitting		
1302	1 101 8170	OG3250	Innensechskantschraube M4x8	Allen screw M4x8		
1303	76.8066	OKT694	Anschlag	Locator		
1304	1 201 1907	OKT929	Passfeder 14x9x36	Feather key 14x9x36		
1305	1 701 7091	OG3982	Gewindestift mit Innensechskant M6x8	Allen set screw M6x8		
1306	76.4528	OG4126	Lagerzapfen links	Bearing spigot left		
1307	76.1522	OG5578	Lagerbüchse	Bearing bush		
1308	76.3010	OK5597	Radial-Wellendichtung	Radial shaft seal		
1309	76.4553.02	OKW702	Einbauleitung L=400	Built in pipe L=400	PBOT06SVCO	
1309	76.4553.03	OG3137	Einbauleitung L=500	Built in pipe L=500	60L/100L	
1309	76.4553.04	OG4552	Einbauleitung L=700	Built in pipe L=700	150L - 400L	
1310	1 101 2086	OG3156	Kupferdichtung	Copper Seal		
1311	1 101 2159	OG6447	Winkelverschraubung	Angle connection		
1312	1 201 2016	OKX273	Kondensatableiter 3/4"	Condensate drain 3/4"		
1313	76.4553.01	OG2682	Einbauleitung L=128	Built in pipe L=128		
1314	76.4033	OT5477	Lagerzapfen rechts	Bearing spigot right		
1315	76.4080	OG4067	Deckel Außenmantel	Mantle cover		
1316	712 044489.01	OG6852	Dichtungsmanschette	Seraling collar		
1317	712 344858.23	OK8849	Gegenmutter 3/4"	Counter nut 3/4"		
1318a	76.4555	OG3571	Armaturkörper	Fitting		
1318b	87.2234	OG6853	Armaturkörper *CHINA	Fitting *China		
1319	12.7296	OH9729	Belüftungsstopfen 1/2"	Air vent cap 1/2"		
1320	1 101 2157	OK5545	Kupferdichtung 21x26	Copper Seal 21x26		
1321	1 117 1239	OKV476	Stopfen 1/2"	Stopper 1/2"		
1322a	87.0101	OG6366	Prüfmanometer Service	Testing manometer	PBOTxxS/T/Q	
1322b		PA020600	Anbaumanometer *China L200	Integrated manometer *China L200	60L/100L	
1322b		PA020700	Anbaumanometer *China L250	Integrated manometer *China L250	150L/200L	
1322b		PA020800	Anbaumanometer *China L300	Integrated manometer *China L300	300L/400L	
1323	86.2424	OG5631	Sicherheitsventil	Safety valve		
1324	1 101 2162	OG6161	Einschraubwinkel 1/2"	Screw in angle connection 1/2"		
1324	1 201 1813	OG3817	Kleber LOCTITE 577	Glue LOCTITE 577		
1324	21 775	OG2699	Teflonband	Teflon strip		
1325	87.9147.01.KD	OG6280	TC Sensor Food gelb	TC Sensor food, yellow		
1326	76.4191	OG3087	Fühlerhalter	Sensor fixation		
1327	1 701 3008	OG6111	Sechskantmutter M5	Hex nut M5		
1327	1 201 1510	OG6854	Wärmeleitpaste RTP-1	Heat conducting paste PTP1		

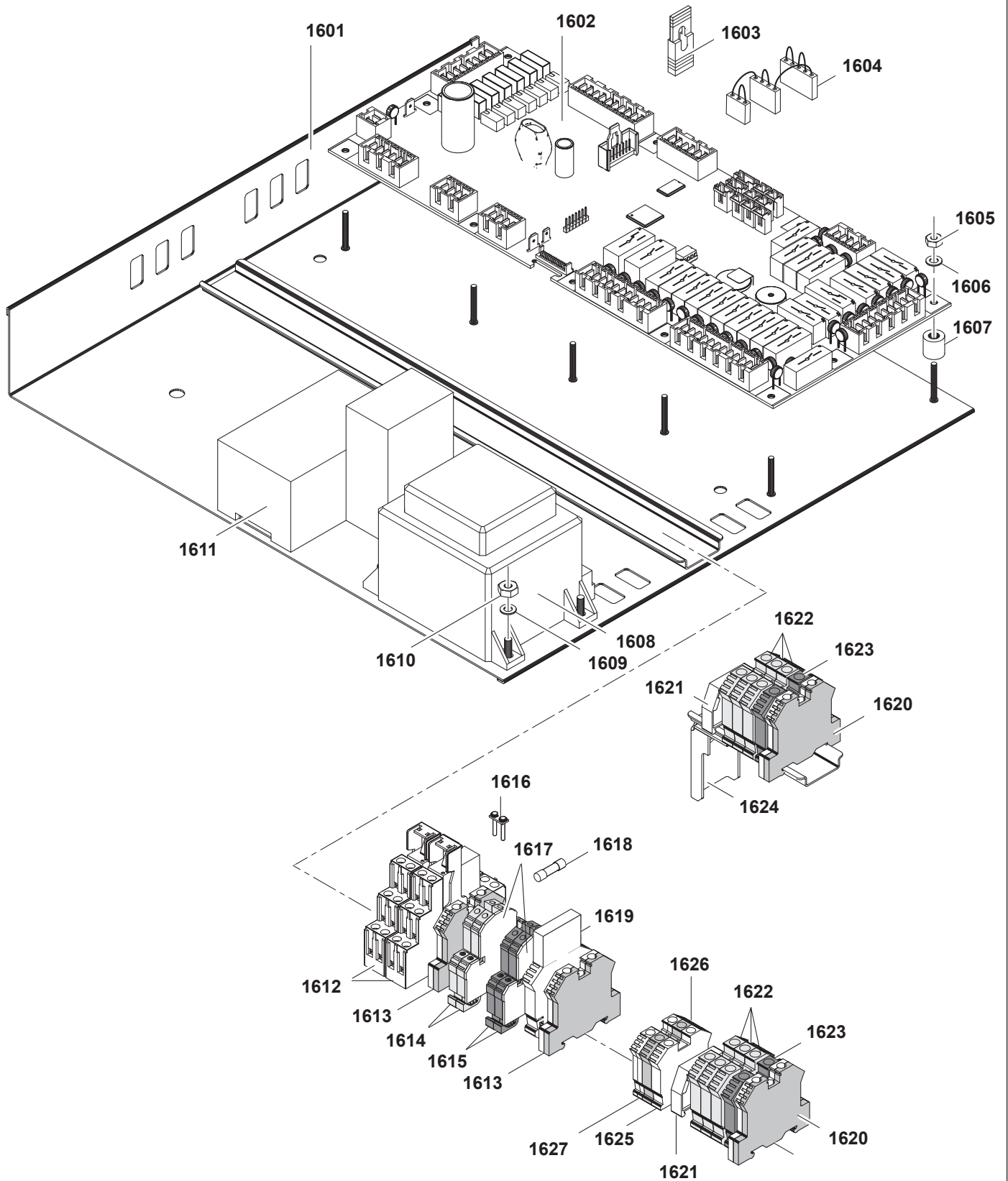




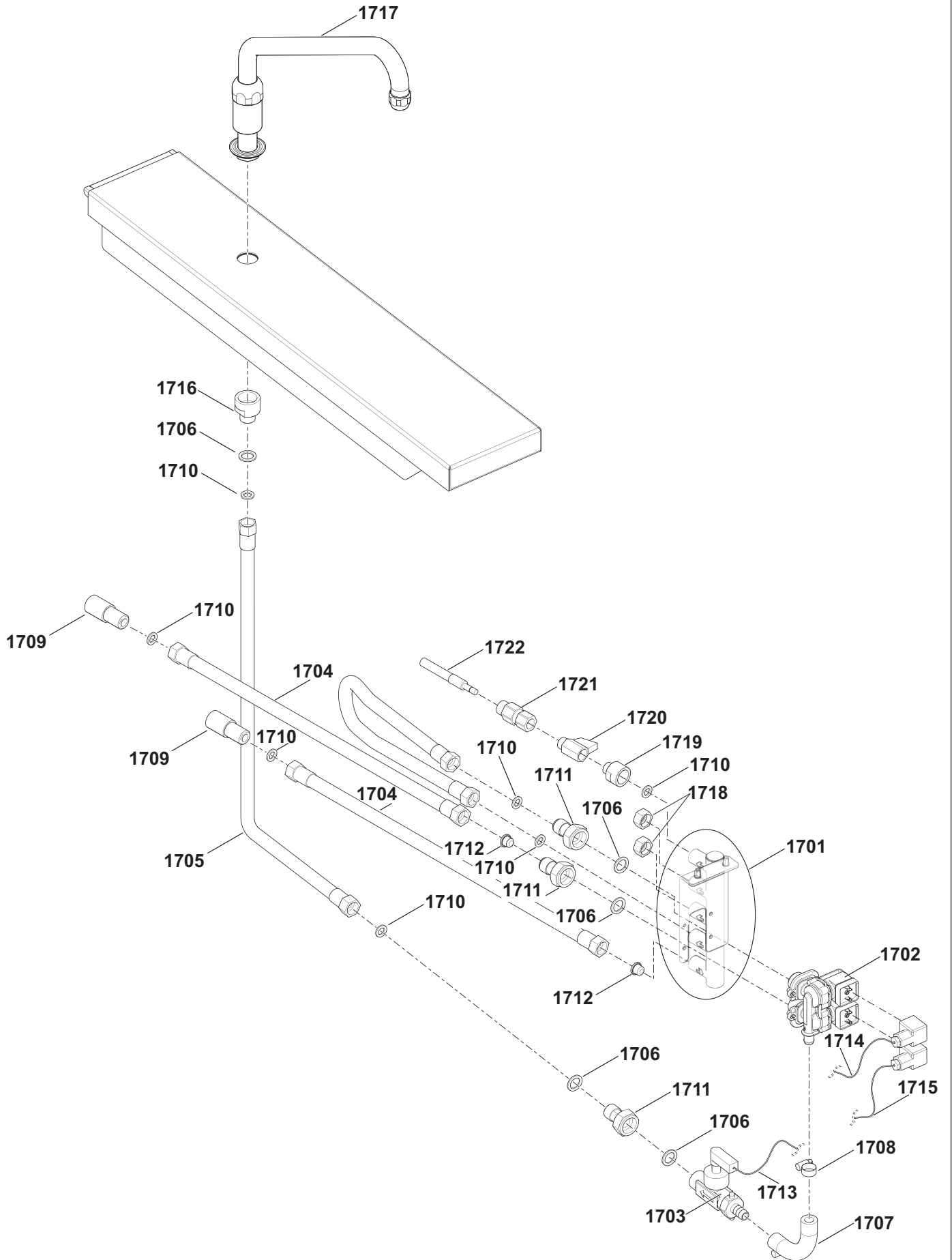




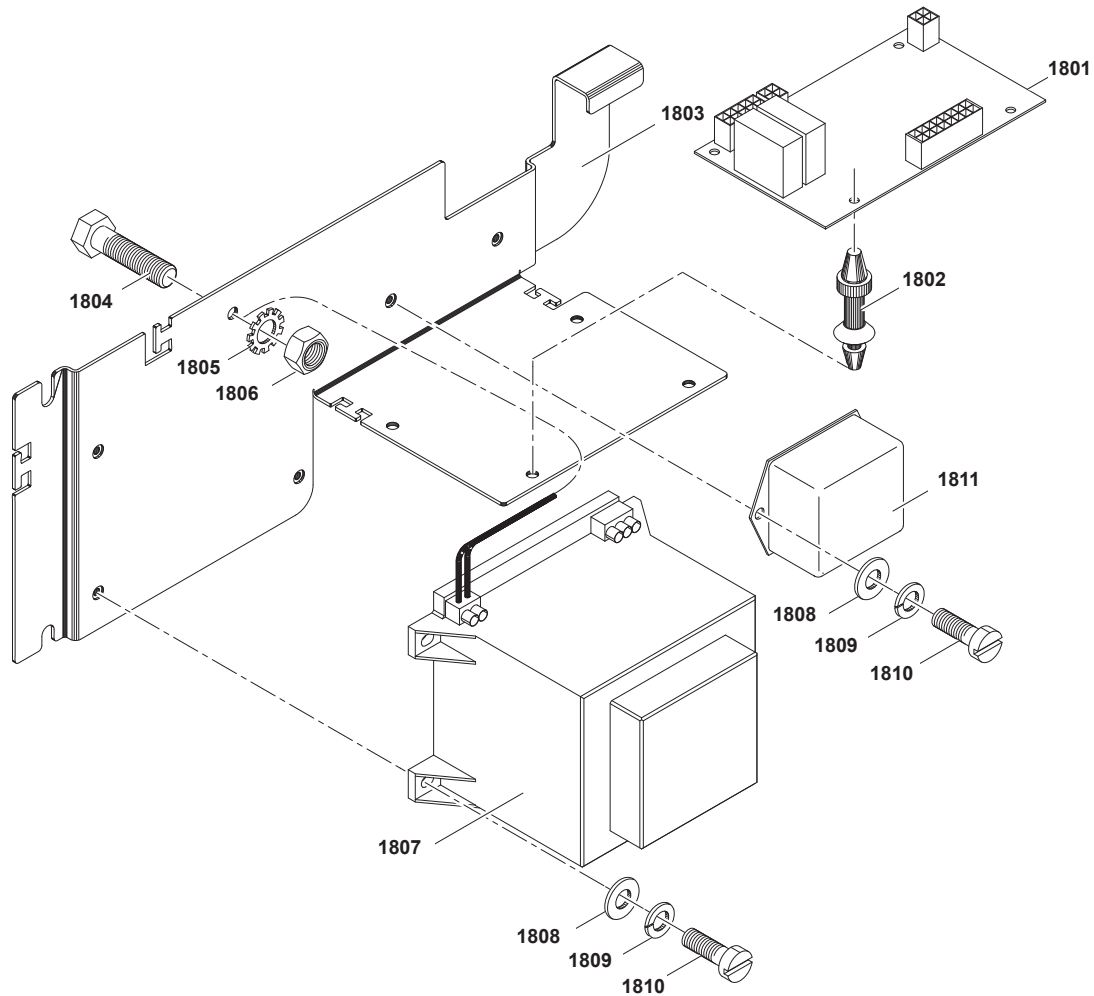
15	Alias	Code	Bezeichnung	Description	Ref.	Valid from Serial N°
1501	76.0266	*	Verdrehsicherung	Locking device		
1502	1 701 3535	0G3588	Unterlegscheibe M5	Washer M5		
1503	1 701 2579	0G4020	Sechskantschraube M5x16	Hex bolt M5x16		
1504	76.2071	OKT721	Gelenkzapfen	Angle fitting		
1505	76.3183.01	0G3008	Metallschlauch 420	Metal pipe 420	PBOTxxS/Q/T D=1000	
1505	76.3183.02	0G3971	Metallschlauch 320	Metal pipe 320	PBOTxxS/Q/T D=800/900	
1506	1 701 2579	0G4020	Sechskantschraube M5x16	Hex bolt M5x16		
1507	1 701 3535	0G3588	Unterlegscheibe M5	Washer M5		
1508	76.2072	0T2683	Rohrschelle D30	Pipe clamp D30		
1509	1 101 2086	0G3156	Kupferdichtung Ø24x16.2x2	Copper sealing Ø24x16.2x2		
1510	76.4558.01	0G3268	Anschluss gebogen	Bended connection		
1511	76.2030.KD	0G2723	Sandvik-Kupplung	Sandvic-coupling		
1511a	712 844253	0G3856	Klammer (1/2 Klammer)	Bride (1/2 bride)		
1511b	1 701 2516	0T1795	Sechskantschraube M6x25	Hex bolt M6x25		
1511c	712 0444490	0K5556	Dichtungsring	Sealing ring		
1511d	1 701 5007	0G6058	Federscheibe M6	Spring washer		
1511e	1 701 3016	0G5739	Sechskantmutter M6x8D	Hex nut M6x8D		
1512	76.2234.02	0G6859	Dampfleitung Rücklauf	Steam return line	PBOTxxS/Q; D=800/900	
1512	76.2234.03	0G6860	Dampfleitung Rücklauf	Steam return line	PBOTxxS/Q; D=1000	
152	87.2242.01	0G6857	Dampfleitung Rücklauf; Handsteuerung	Steam return line; hand valve	PBOTxxT; D=900	
1513	1 201 2035	OKL247	Rückschlagventil 3/4"	Check valve 3/4"		
1514	76.4558.02	0G3269	Anschluss gerade	Straight connection		
1515	TS 2.2827	0G6023	Anschluss Hauptleitung	Mains supply connection		
1515	1 201 1813	0G3817	Kleber LOCTITE 577	Glue LOCTITE 577		



16	Alias	Code	Bezeichnung	Description	Ref.	Valid from Serial N°
1601	879188.01	*	Steuerträger standard PxxT	Support frame		
1602	879015	OG5908	Motherboard COP20	Motherboard COP20		until 9051...
1602	879241	OG8953	Motherboard COP70	Motherboard COP70		9061...
1603	879191	OG7123	Jumper	Jumper		
1604	879190	OG6638	Jumper Core Temp	Jumper Core Temp		
1605	1 701 3057	OU0182	Sechskantmutter M3	Hex nut M3		
1606	1 701 3540	OKI478	Unterlegscheibe M3	Washer M3		
1607	76.3011.03	OG3094	Distanzhalter 12mm	Spacer 12mm		
1608	879036	OG5910	Transformator PMA 70VA 230V-12/24V	Transformer PMA 70VA 230V-12/24V		
1609	1 701 3502	OG3595	Unterlegscheibe M4	Washer M4		
1610	1 701 3004	OK4606	Sechskantmutter M4	Hex nut M4		
1611	76.9165.01	OG2114	Wendeschutz	Thermal overload relay	PBOTxxQ	
1612	76.9482	OG3933	Relais 12V	Relay 12V	PBOTxxQ	
1612	76.9483	OG4009	Relais 230V UL	Relay 230V UL	PBOTxxV	
1613	75.2011.01	OKT730	Schutzleiterklemme 2.5-4mm <sup>2</sup>	Ground conductor terminal 2.5-4mm <sup>2</sup>		
1614	75.2010.10	OKT734	Reihenkleme grau	Terminal block grey		
1615	75.2010.11	OKT733	Nullleiterklemme blau	Neutral wire terminal blue		
1616	75.2010.14	OG5735	Querverbinder	Cross connection		
1617	75.2010.12	OT2598	Abschlusswand	Cover		
1618	712 344362.01	OG5814	Sicherung 5x20 1AF	Fuse 5x20 1AF		
1619	76.9527.01	OG3940	Sicherungsklemme 10mm <sup>2</sup>	Fuse holder terminal 10mm <sup>2</sup>		
1619	76.9527.02	OG4585	Abschlusswand zu Sicherungsklemme	Cover for fuse holder terminal		
1620	75.2011.02	OKT729	Schutzleiterklemme 6-10mm <sup>2</sup>	Ground conductor terminal 6-10mm <sup>2</sup>		
1621	75.2013	OKX290	Arretierstück	Fixation		
1622	75.2010.30	OKT732	Reihenkleme grau	Terminal block grey		
1623	75.2010.31	OG3495	Nullleiterklemme grün	Neutral wire terminal green		
1624	76.9011.01	*	Klemmschiene	Clamp rail		
	76.9117.05	OG5927	Litze Haupterdraht	Litz wire earthing		
	879080	OG5930	Kabel: COP20 - Dampfventil	Cabel: COP20 - steam valve		
	879037	OG5923	Kabel: N - Trafo - P	Cabel: N - Transformator - P		
	879077	OG5924	Kabel: N - Trafo - P (Notaus)	Cabel: N - Transformator - P (emergency stop)	PBOTxxQ	
	879082	OG6862	Kabel: Klemmen - Wendeschütz	Cabel: Terminal - thermal overload relay	PBOTxxQ	
	879064	OG5953	Kabel Rührwerk	Cabel stirrer	PBOTxxQ	
	87.7134		EMV Kabelverschraubung M25	EMV Cable gland M25	PBOTxxV	
	87.7147		Kabelverschraubung M16	Cable gland M16	PBOTxxV	
	87.9228		Kabel: Rührwerk variabel	Cable: Stirrer variable	PBOTxxV	
	87.9231	OG8000	Frequenzumformer 4kW	Frequency converter 4kW	PBOTxxV	
	87.9229.02	OG7998	Kabel: Inverter-Motor variabel 4mm <sup>2</sup>	Cable: Inverter-Motor variabel 4mm <sup>2</sup>	PBOTxxV	
	87.9230.02		Kabel: Motorschutzschalter variabel 4mm <sup>2</sup>	Cable: Motor circuit breaker variable 4mm <sup>2</sup>	PBOTxxV	
	87.9236	OG7999	Kabel: Thermoelement Motor	Cable: Thermocouple Motoer	PBOTxxV	
1625	75.2010.20	OG7080	Reihenkleme grau	Terminal block grey		9061...
1626	75.2010.21	OG3489	Nullleiterklemme blau	Neutral wire terminal blue		9061...
1627	75.2011.01	OKT730	Schutzleiterklemme G/G	Ground conductor terminal G/G		9061...
	1 115 1783	OG6228	Filter FN2060	Filter FN2060		9061...



17	Alias	Code	Bezeichnung	Description	Ref.	Valid from Serial N°
1701	87.7138	0G8267	Wasserverteiler WFA 2.0	Water distributor WFA 2.0		
1702	87.7139	0G8030	"2/2-Weg Magnetventil 1/3/4" A1/2 Schlaucht"	2/2-way solenoid valve 1/3/4" A1/2" hoses		
1703	76.9668	0G3702	Durchflussmesser WFA	Flow meter WFA		
1704	87.7188.04	0G8756	Panzerschlauch I/1 0.6 m	Armored hose L600 G1/2"		
1705	87.7188.06	*	Panzerschlauch I/1 1.1m	Armored hose L1100 G1/2"		
1706	87.7195	0G8719	Dichtung 24x17x2 AFM34	Flat sealing 24x17x2 AFM34		
1707	86.7144	0G7668	Dampfschlauch ø13/ø23	Steam hose ø13/ø23		
1708	12.9827	0G2823	Bride Schlauch	Hose clamp		
1709	87.5168	0G6646	Adapter zu WFA	Adapter for WFA G1/2"		
1710	87.2429	0G8524	Dichtung D18x11x2 AFM34	Flat sealing D18x11x2 AFM34		
1711	87.7193	0G9121	"Anschlussverschraubung 3/4"-1/2"	Connection screw fitting 3/4"-1/2"		
1712	1 701 2827	0G6842	Hutfilter 1/2-50/20 H12	Filter insert 1/2-50/50 H12		
1713	87.9106	0G6658	Kabel COP20CAN-WFA Flowmeter	Cable connection COP20CAN-WFA Flowmeter		
1714	87.9020.01	*	Kabel COP20-WW Ventil 3300MM	Cable connection COP20-WW Ventil 3300MM		
1715	87.9019.01	*	Kabel COP20-KW Ventil 3300MM	Cable connection COP20-KW Ventil 3300MM		
1716	1 116 1233	0G8474	"Muffennippel reduziert 3/4"-1/2"	Socketed pipe nipple reduced 3/4"-1/2"		
1717	87.7227	0G9122	Schwenkarm Klarco 350	Swiveling arm		
1718	87.2430	0G8648	Gewindekappe 1/2	Threaded cap 1/2"		
1719	1 116 1222	0G8889	"Muffennippel reduziert 1/2"-3/8"	Socketed pipe nipple reduced 1/2"-3/8"		
1720	86.1086	0G6844	Kugelhan mini A3/8 - 13/8	Ball valve mini 3/8"		
1721	87.7151	0G8523	"Kegelrückschlagventil ø8/3/8"	Check valve 3/8"		
1722	86.7123	0G5969	Spray Gun Schlauch 1/4 SG	Spray Gun Hose		
--	87.7089	OTTX97	Dichtband für rohr-gewinde	Sealing tape for pipe threads		



18	Alias	Code	Bezeichnung	Description	Ref.	Valid from Serial N°
	879140.01	0G6367	Kippsteuerung kompl. 230-240V	Tilting control assembled 230-240V		3401... until 9041...
	879140.01	0G8991	Kippsteuerung kompl. 230-240V	Tilting control assembled 230-240V		9051...
	879140.06	0G6864	Kippsteuerung kompl. 440V	Tilting control assembled 440V	Marine 400/440V	5011...
	76.9000.01.KD	0G6016	Kippsteuerung kompl. xxT94	Tilting kontrol xxT94		
1801	879116	0G6266	Kippsteuerung 7CA24VE1 SIR	Tilting control 7CA24VE1 SIR		3401...
1802	75.5000.05	0G4212	Distanzhalter	Spacer		
1803	879133	*	Halter Kippsteuerung	Support tilting control		3401...
1804	1 701 2567	OKE185	Sechskantschraube M5x20	Hex bolt M5x20		
1805	1 701 7002	0G2923	Fächerscheibe M5	Fan washer M5		
1806	1 701 3008	0G6111	Sechskantmutter M5x0.8D	Hex nut M5x0.8D		
1807	879121	0G6273	Transformator 230V AC	Transformer 230V AC		
1807	879143	0G6865	Transformator 440V AC	Transformer 440V AC	Marine 400/440V	
1808	1 701 3502	0G3595	Unterlegscheibe M4	Washer		
1809	1 701 5002	OKL273	Federring M4	Spring washer		
1810	1 701 2023	0G6863	Zylinderschraube M4x12	Allen screw		
1811	1 115 1783	0G6228	EMV Filter	EMC filter		
	879182	0G6866	Kabel: Trafo - Steuerelektronik (Filter)	Cable: tranformer - tilt control (with EMC filter)		
	879119	0G6391	Kabel: Trafo - Steuerelektronik (ohne Filter)	Cable: tranformer - tilt control (without EMC filter)	Marine 440/440V	
	76.9123	0G5919	Kabel: Thermoelement - Motor	Cable: Thermocouple - motor		
	879089	0G5932	Kabel: X2 - Kippung	Cabel: X2 - tilting		
	879083.01	0G5931	Kable: X0 - X1 Hauptzuleitung	Cabel: X0 - X1 mains connection		