

PROTHERMETIC**DE
EN****PBOT-S/T/Q
PBOT-S/T/Q****KIPPKOCHKESSEL, DAMPFBEHEIZT, RUND
TILTING BOILING PAN, STEAM HEATED, ROUND**

Page	Baugruppe	Assembly group	Models
2	Kessel	Kettle	PBOT-S/T/Q
4	Magnetschalter	Solenoid swith	PBOT-Q
5	Auslaufhahn	Drain valve	PBOT-S/T/Q
6	Deckel	Lid	PBOT-S/T/Q
8	Rührwerk	Stirring system	PBOT-Q
11	Füsse	Feet	PBOT-S/T/Q
12	Achse	Shaft	PBOT-S/T/Q
14	Schalterfront Steuerung	Switch panel control system	PBOT-S/T/Q
16	Schalterfront Kippung	Switch panel tilting system	PBOT-S/Q
17	Kippung	Tilting system	PBOT-S/T/Q
18	Mischbatterie	Mixer tap	PBOT-S/T/Q
20	Spray Gun	Spray gun	PBOT-S/T/Q
22	Kessel dampfbeheizt	Kettle steam heated	PBOT-S/T/Q
24	Dampfleitung	Steam pipe	PBOT-S/T/Q
26	Kondensatleitung	Condensate pipe	PBOT-S/T/Q
28	Steuerung	Control system	PBOT-S/Q
30	Steuerung Kippmotor	Control system tilting motor	PBOT-S/T/Q

Valid from Ser. № 3401....**Last Updates****Page****Pos.**

01/2015

all

02/2015

15, 28

04/2016

all

02/2017

5

12/2017

15

8

06/2018

8, 9

19, 20, 21, 22, 23

12/2018

2 / 3

drawing / 7, 8

01/2019

16 / 21

9 / from 6 to 13, 19

02/2019

29

2, 25, 26, 27

04/2019

3 / 19

1, 2 / 19

06/2019

15

10

11/2019

19 / 21

18 / 2

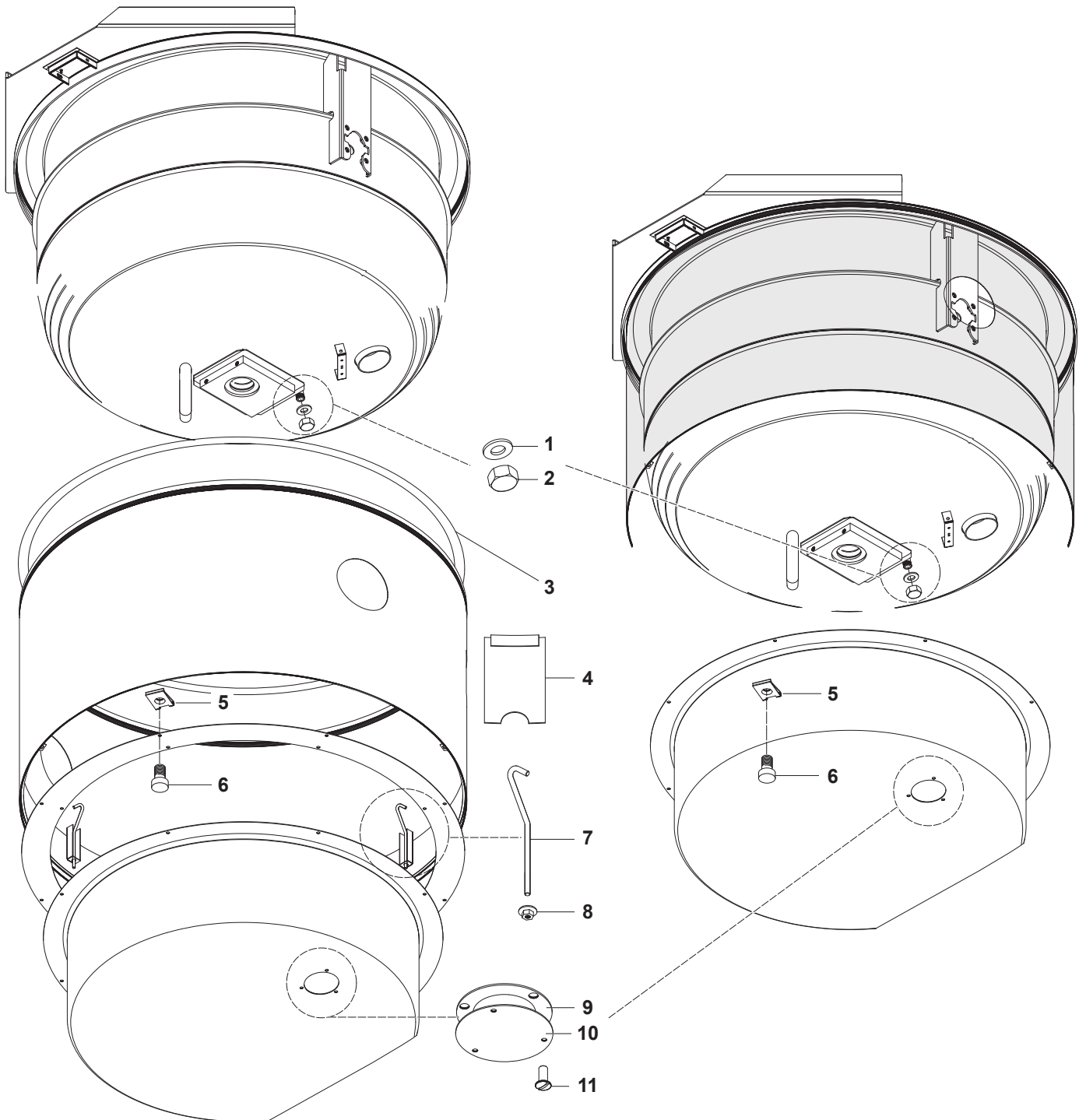
06/2020

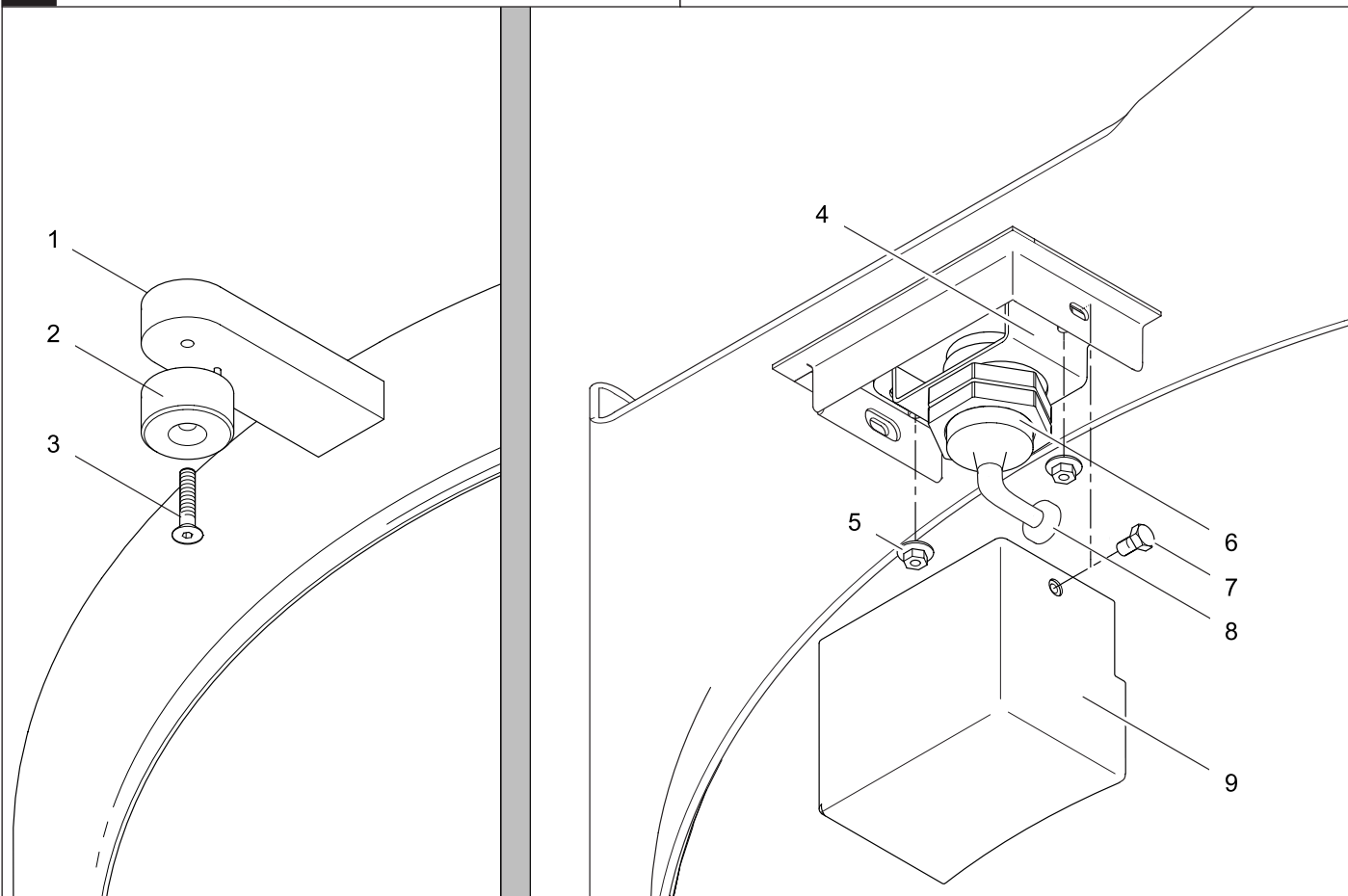
3 / 4 / 7

3, 7 / 9 / 1

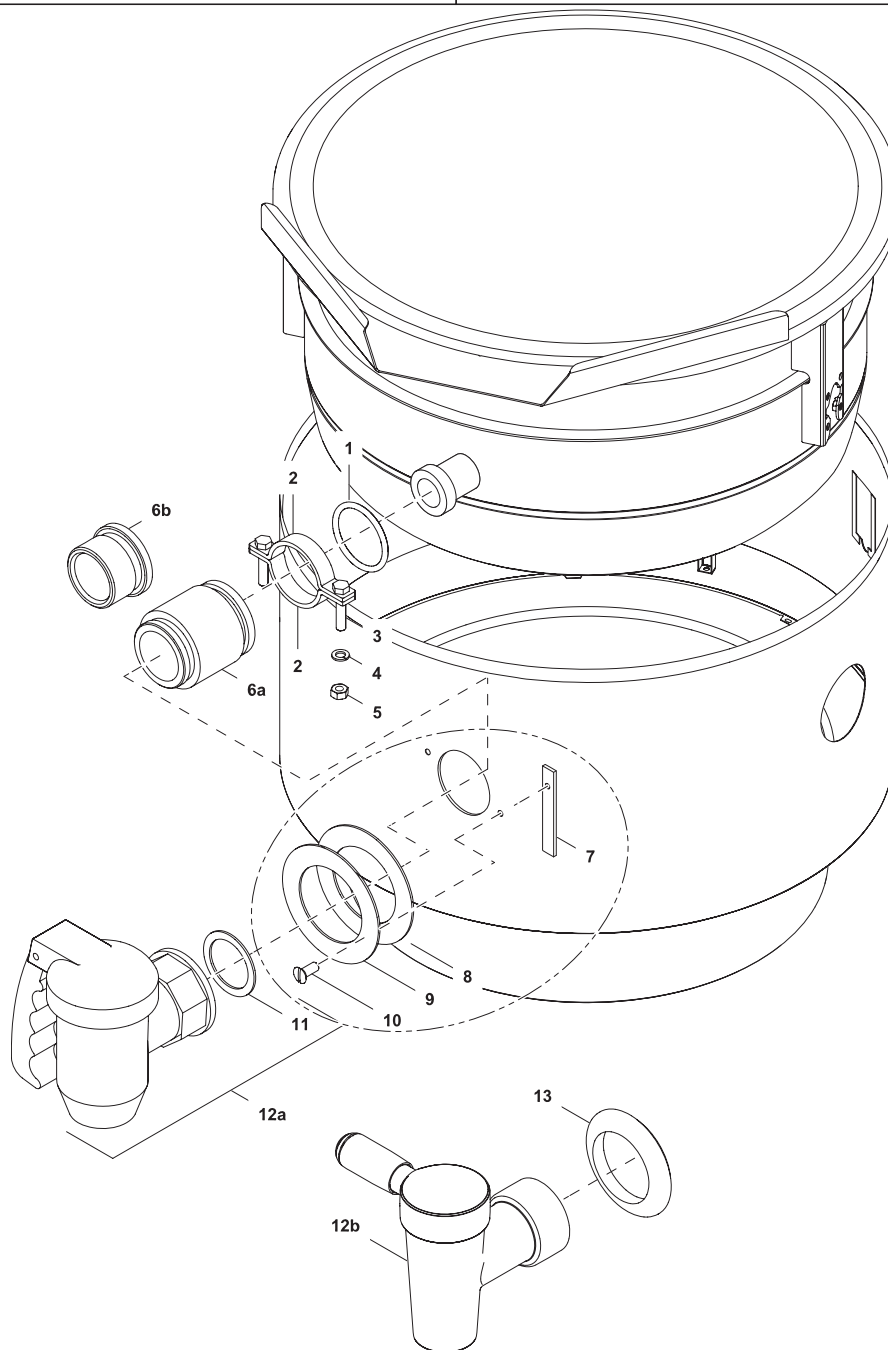
OLD VERSION

NEW VERSION

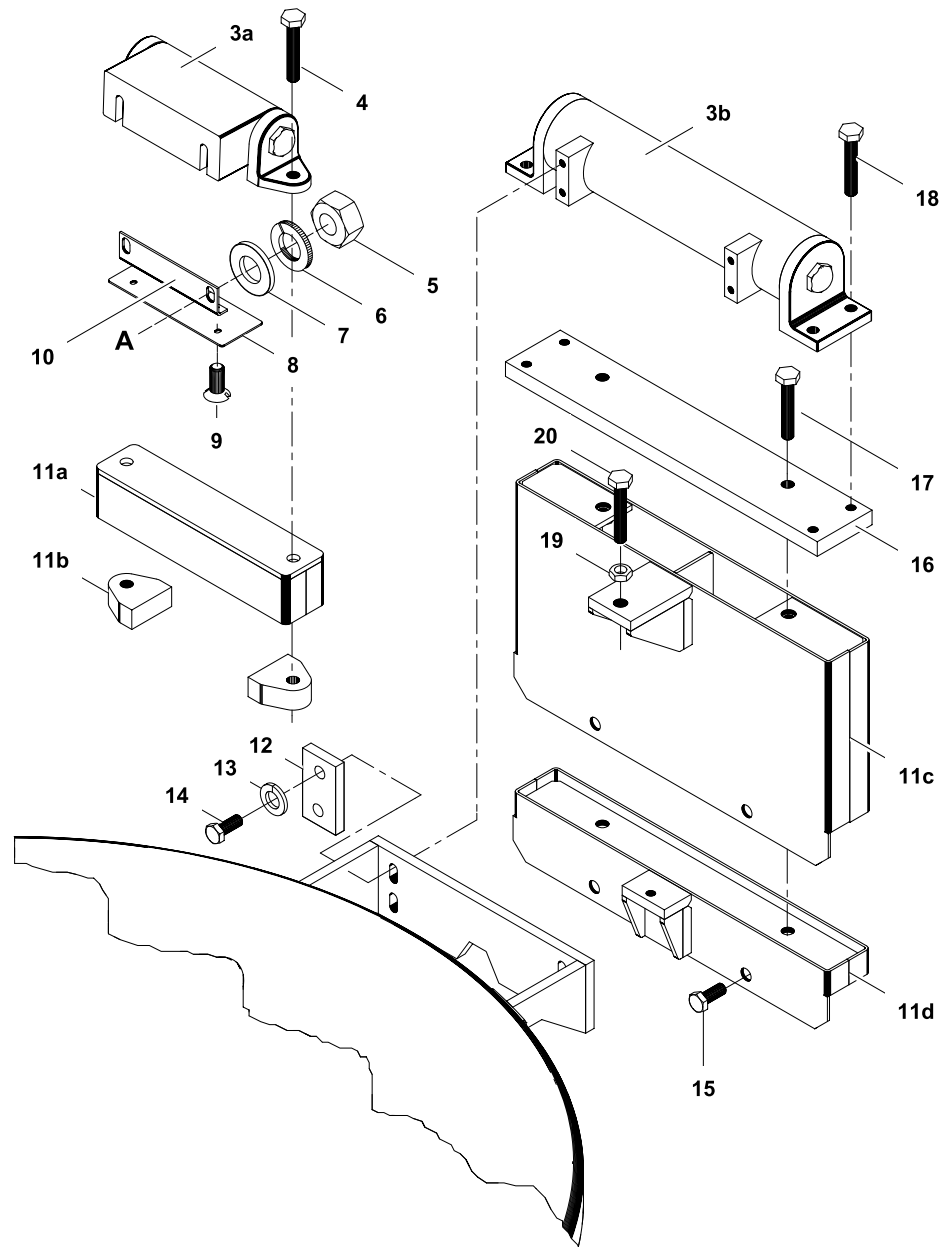
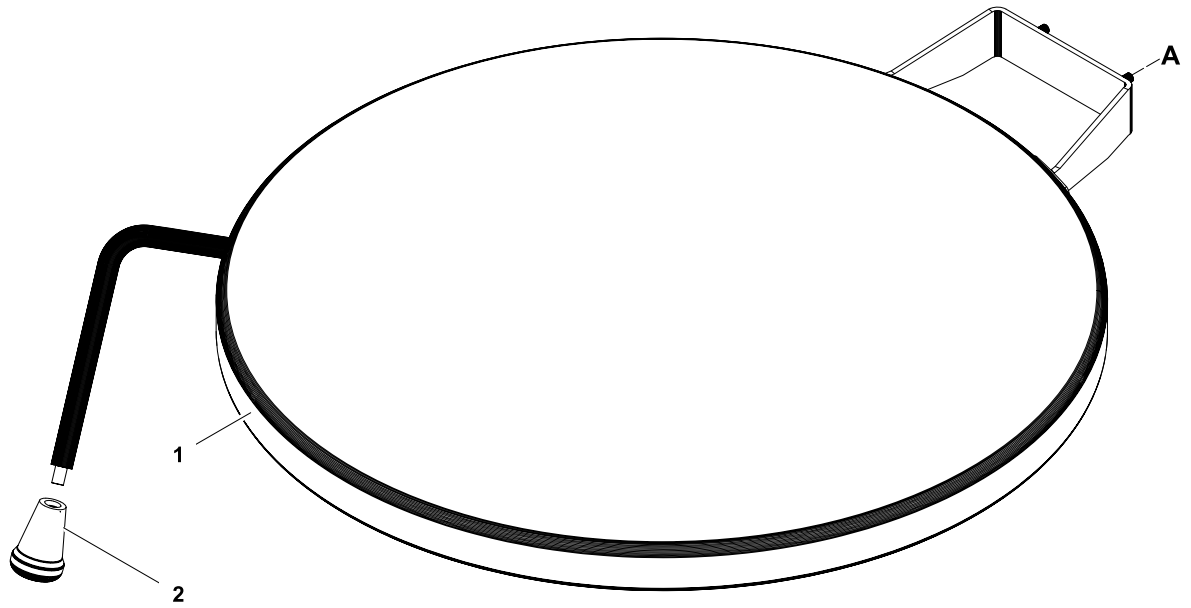




2	Alias	Code	Bezeichnung	Description	Ref.	Valid from Serial N°
1	76.4171.11	*	Deckel RW 60L	Lid Stirrer 60L	PBOT06Q	
	76.4171.13	*	Deckel RW 100L	Lid Stirrer 100L	PBOT10Q	
	76.4171.14	*	Deckel RW 150L	Lid Stirrer 150L	PBOT15Q	
	76.4176.11	*	Deckel RW 200L	Lid Stirrer 200L	PBOT20Q	
	76.4176.12	*	Deckel RW 300L	Lid Stirrer 300L	PBOT30Q	
	76.4176.13	*	Deckel RW 400L	Lid Stirrer 400L	PBOT40Q	
2	76.9345.02	0U0179	Magneteinsatz	Magnet insert	PBOT-Q	
3	1 701 1072	0G6833	Senkschraube M5x25	Countersunk bolt	PBOT-Q	
4	76.4597	*	Halter Sicherheitsschalter	Support safety switch	PBOT-Q	
5	712 044120.04	0G4918	Kepsmutter M4	Hex nut M4	PBOT-Q	
6	76.9345.01	0U0178	Magnetschutzschalter	Solenoid switch	PBOT-Q	
7	1 701 2503	0G5490	Sechskantscharube M4x8	Hex bolt M4x8	PBOT-Q	
8	1 103 1594	0G3780	Kabeltülle Ø10/Ø6x12	Cable sleeve Ø10/Ø6x12	PBOT-Q	
9	76.4600	*	Abdeckung 60-150L	Cover 60-150L	PBOT06-15Q	until 8371...
	87.2390.01	*	Abdeckung 60-150L	Cover 60-150L	PBOT06-15Q	8381...
	76.4601	*	Abdeckung 20-500L	Cover 20-500L	PBOT20-50Q	until 9511...
	87.2390.02	*	Abdeckung 20-500L	Cover 20-500L	PBOT20-50Q	9521...



3	Alias	Code	Bezeichnung	Description	Ref.	Valid from Serial N°
1	713 042130	OK5557	Dichtungsring	Sealing ring		
2	713 842019	OG3855	Klammer mit Schrauben (1/2 Klammer)	Bride with screws (1/2 bride)		
3	713 842019.96	OG6837	Klammer (1/2 Klammer)	Bride (1/2 bride)		
4	1 701 5008	OKL250	Federring M8	Spring washer M8		
5	1 701 3044	OK4612	Sechskantmutter M8	Hex nut M8		
6a	76.3194	OG2540	Kupplungsstutzen 2" RUBINETTERIE	Female connector 2" RUBINETTERIE		
6b	713 042131	OK8856	Kupplungsstutzen 2" ECHTERMANN	Female connector 2" ECHTERMANN		
7	71.1235	OG4166	Gewindeplatte M4	Threaded plate M4		
8	71.1234	OG3175	Flachdichtung Ø110/72/2	Flat seal Ø110/72/2		
9	71.1233	OG4167	Hahnrosette	Round anchor plate		
10	1 701 1504	OKX205	Schraube M4x8	Screw M4x8		
11	1 101 2191	004986	Dichtungsring Ø60 ø47x2 RUBINETTERIE	Sealing ring Ø60 ø47x2 RUBINETTERIE		
12a	1 117 1258	OG5144	Sicherheitsauslaufhahn 2" RUBINETTERIE	Drain cock 2" + safety valve RUBINETTERIE		
12b	1 117 1117	OH6425	Auslaufhahn ECHTERMANN 6722.80 2"	Drain cock ECHTERMANN 6722.80 2"		
	87.7055	OG6498	Auslaufhahn ECHTERMANN 6726.82 2"	Drain cock ECHTERMANN 6726.82 2"		
13	87.7122		Dichtmanschette Auslaufhahn	Sealing gaiter drain cock		7031...

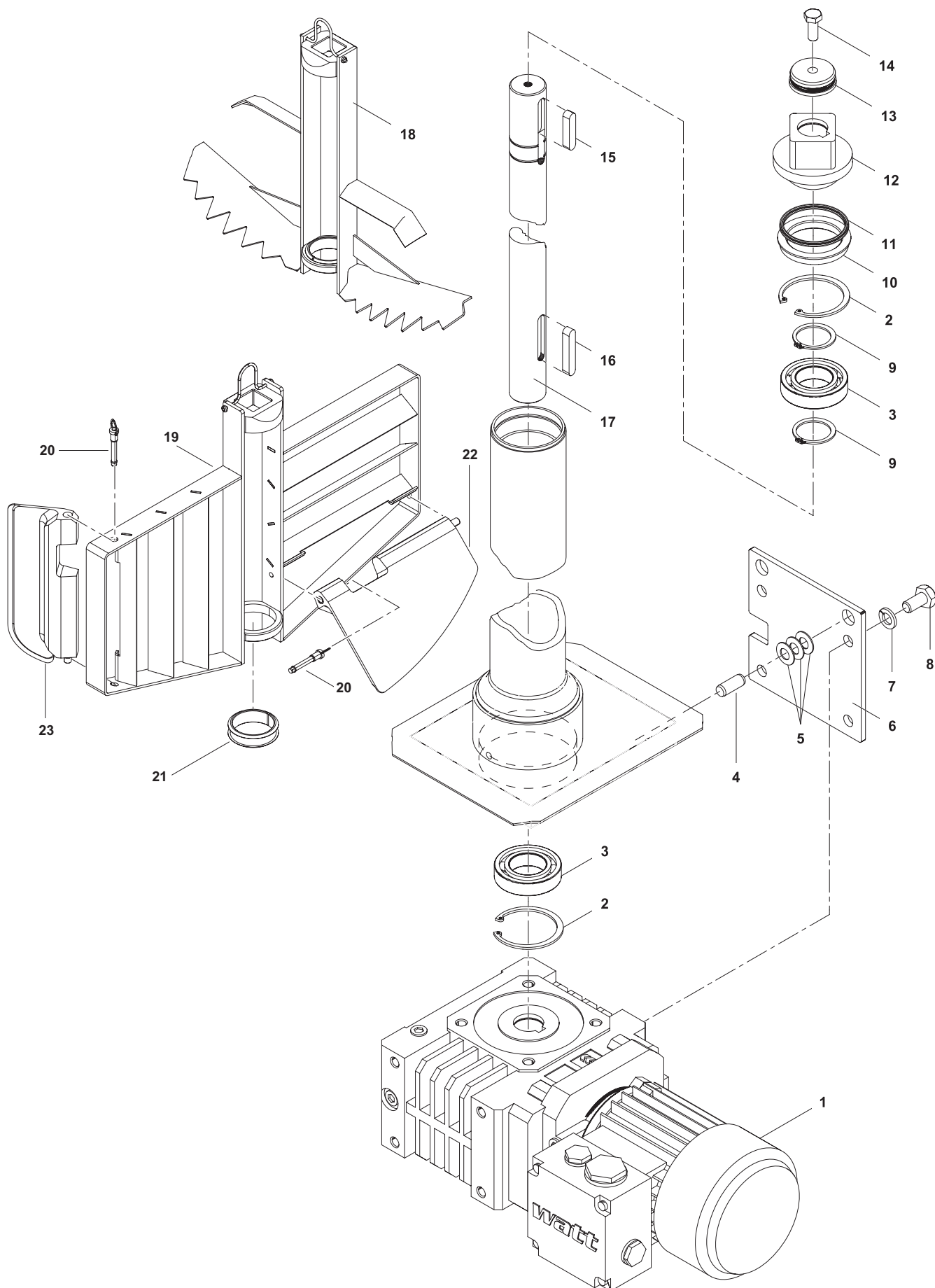


4	Alias	Code	Bezeichnung	Description	Ref.	Valid from Serial N°
1	76.4171.01		Deckel 60L	Lid 60L	PBOT06S/T	until 8371...
	87.2389.01	OG5737	Deckel 60L	Lid 60L	PBOT06S/T	8381...
	76.4506.01	*	Deckel 60L / 800mm Gerätetiefe	Lid 60L / 800mm appliance depth	PBOT06S/T D=800	
	76.4171.03		Deckel 100L	Lid 100L	PBOT10S/T	until 8371...
	87.2389.03	OG3054	Deckel 100L	Lid 100L	PBOT10S/T	8381...
	76.4171.04	*	Deckel 150L	Lid 150L	PBOT15S/T	until 8371...
	87.2389.04	*	Deckel 150L	Lid 150L	PBOT15S/T	8381...
	76.4176.01		Deckel 200L	Lid 200L	PBOT20S/T	until 9511...
	87.2432.01	OKV478	Deckel 200L	Lid 200L	PBOT20S/T	9521...
	76.4176.02		Deckel 300L	Lid 300L	PBOT30S/T	until 9511...
	87.2432.02	OG3781	Deckel 300L	Lid 300L	PBOT30S/T	9521...
	76.4176.03		Deckel 400L	Lid 400L	PBOT40S/T	until 9511...
	87.2432.03	OKX130	Deckel 400L	Lid 400L	PBOT40S/T	9521...
	76.4171.11	*	Deckel RW 60L	Lid Stirrer 60L	PBOT06Q	until 8371...
	87.2389.11	*	Deckel RW 60L	Lid Stirrer 60L	PBOT06Q	8381...
	76.4171.13	*	Deckel RW 100L	Lid Stirrer 100L	PBOT10Q	until 8371...
	87.2389.13	*	Deckel RW 100L	Lid Stirrer 100L	PBOT10Q	8381...
	76.4171.14	*	Deckel RW 150L	Lid Stirrer 150L	PBOT15Q	until 8371...
	87.2389.14	*	Deckel RW 150L	Lid Stirrer 150L	PBOT15Q	8381...
	76.4176.11	*	Deckel RW 200L	Lid Stirrer 200L	PBOT20Q	until 9511...
	87.2432.11	*	Deckel RW 200L	Lid Stirrer 200L	PBOT20Q	9521...
	76.4176.12	*	Deckel RW 300L	Lid Stirrer 300L	PBOT30Q	until 9511...
	87.2432.12	*	Deckel RW 300L	Lid Stirrer 300L	PBOT30Q	9521...
	76.4176.13	*	Deckel RW 400L	Lid Stirrer 400L	PBOT40Q	until 9511...
	87.2432.13	*	Deckel RW 400L	Lid Stirrer 400L	PBOT40Q	9521...
	76.4171.14	*	Deckel RW 500L	Lid Stirrer 500L	PBOT50Q	until 9511...
	87.2432.14	*	Deckel RW 500L	Lid Stirrer 500L	PBOT50Q	9521...
2	86.3253	OG6631	Griff Deckel	Handle lid		
3a	70.0750.05	OK5242	Drehgelenk	Pivot joint	60L	
	70.0750.06	OK5244	Drehgelenk	Pivot joint	100L/150L	
3b	71.0454.01	OK5250	Drehgelenk	Pivot joint	200L/300L/400L	
4	1 701 2545	OK1475	Sechskantschraube M10 x 50	Hex bolt M10 x 50	60L/100L	
	1 701 2609	OG6835	Sechskantschraube M10 x 80	Hex bolt M10 x 80	150L	
5	1 701 3044	OK4612	Sechskantmutter M8	Hex nut M8	60L/100L/150L	
6	1 701 5008	OKL250	Federring M8	Spring washer M8	60L/100L/150L	
7	1 701 3513	OG6088	Unterlegscheibe 8,4 x 7,0 x 1,6	Washer 8,4 x 7,0 x 1,6	60L/100L/150L	
8	70.0765.01	OKL252	Abdeckblech Drehgelenk	Cover plate for pivot joint	60L/100L/150L	
9	1 701 1541	OG3674	Becherschraube M4 x 10	Slotted bolt M4 x 10	60L/100L/150L	
10	70.0764	OKL251	Winkel zu Drehgelenk	Angle for pivot joint	60L/100L/150L	
11a	87.2067	*	Ständer zu Drehgelenk 150L	Support for pivot joint 150L	150L	
11b	87.2174	*	Unterlage zu Drehgelenk 60L/100L	Base plate for pivot joint 60L/100L	60L/100L	
11c	76.2022.02	*	Ständer zu Drehgelenk 400L	Support for pivot joint 400L	400L	
11d	76.2022.01	*	Ständer zu Drehgelenk 300L	Support for pivot joint 300L	300L	
12	71.0455	OKL255	Unterlage	Base plate	200L/300L/400L	
13	1 701 5008	OKL250	Federring M8	Spring washer M8	200L/300L/400L	
14	1 701 2570	OG5820	Sechskantschraube M8 x 20	Hex bolt M8 x 20	200L/300L/400L	
15	1 701 2541	OK4600	Sechskantschraube M10 x 25	Hex bolt M10 x 25	200L/300L/400L	
16	71.0454.03	OKL256	Verbindungsplatte	Connection plate	200L/300L/400L	
17	1 701 2543	OK4601	Sechskantschraube M10 x 35	Hex bolt M10 x 35	200L/400L	
	1 101 8188	OG6836	Sechskantschraube M10 x 60	Hex bolt M10 x 60	300L	
18	1 701 2541	OK4600	Sechskantschraube M10 x 25	Hex bolt M10 x 25	200L/300L/400L	
19	1 701 3062	OG6837	Sechskantmutter M12	Hex nut M12	300L/400L	
20	1 701 2549	OG6849	Sechskantschraube M12 X 35	Hex bolt M12 x 35	300L/400L	

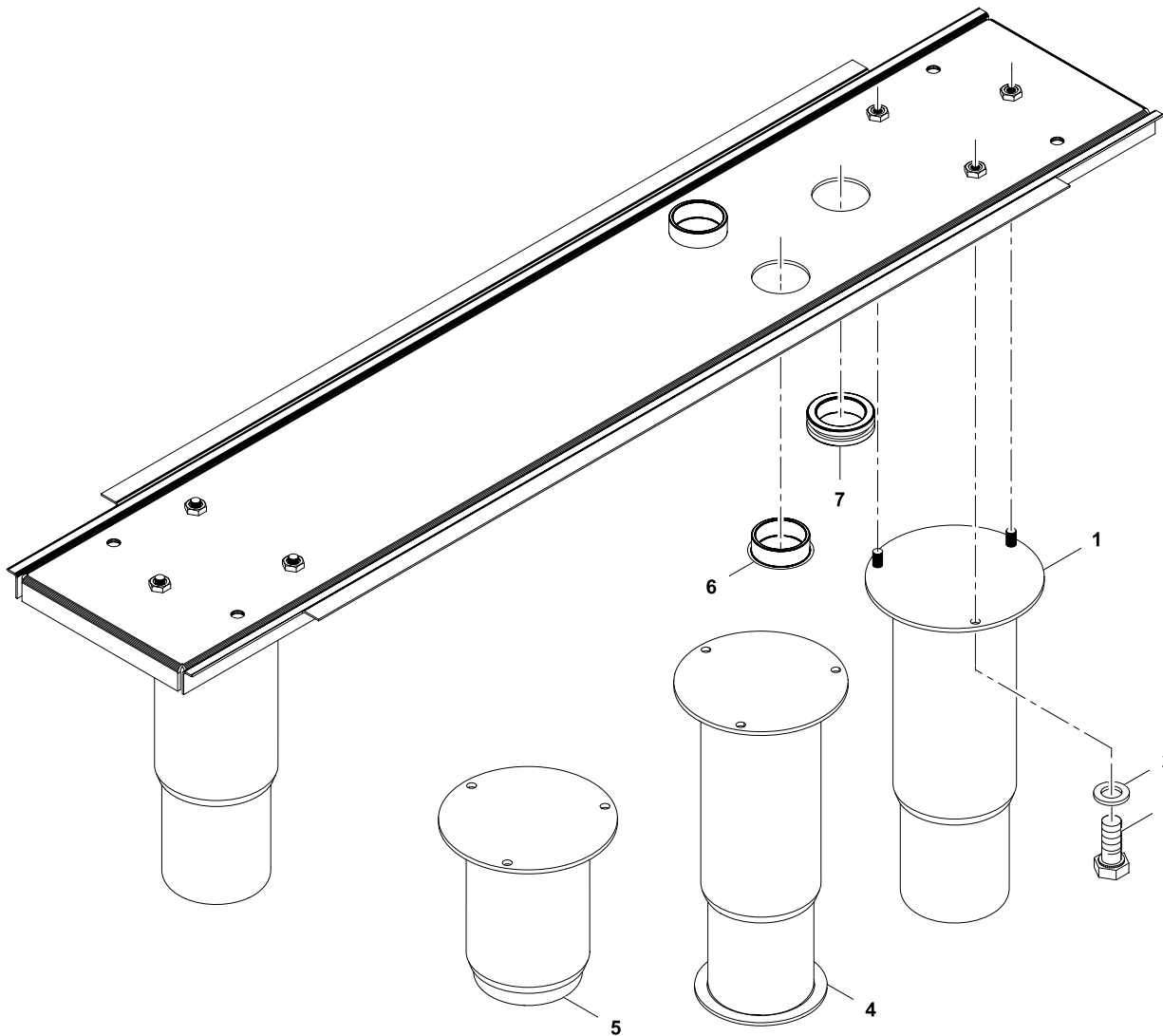
* Components on demand
* Teile auf Anfrage

Doc. № 599A2B900 / 87.8022.02

Page: 7

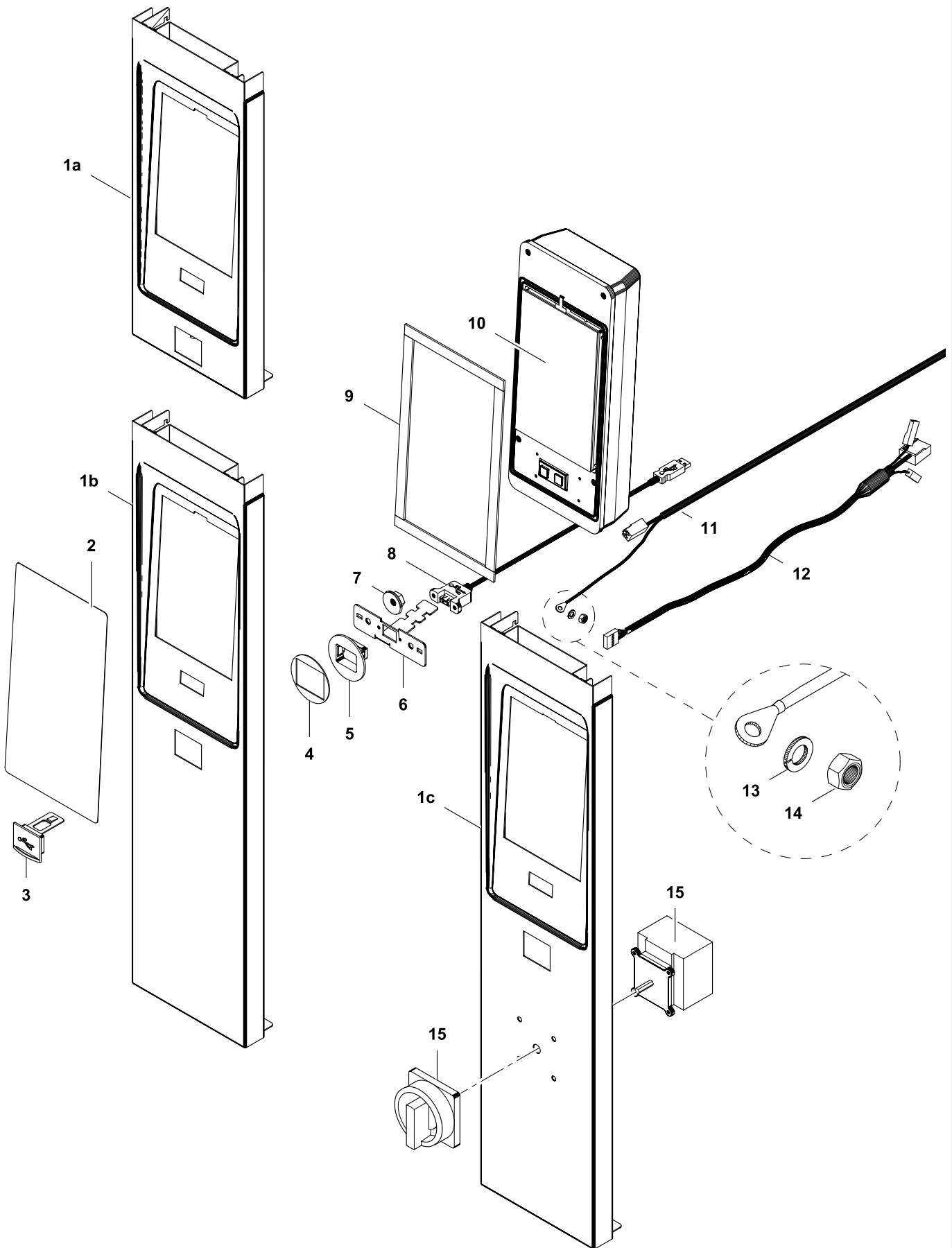


5	Alias	Code	Bezeichnung	Description	Ref.	Valid from Serial N°
1	76.3046.01	0G2112	Getriebemotor P=0.25kW	Gear motor P=0.25kW	PBOT06Q	
	76.3047.01	0G2113	Getriebemotor P=0.37kW	Gear motor P=0.37kW	PBOT10-40Q	
	87.7131	0G8001	Getriebemotor P=3.8kW	Gear motor: P=3.8kW	PBOT15-30V	
2	70.0809.03	0K6217	Sicherungsring Ø55	Circlip ring Ø55		
3	70.0808.03	0K5259	Rillenkugellager 30x55x13	Grooved ball bearing 30x55x13		
4	1 701 7095	0G3671	Zylinderstift Ø8x25	Dowel pin Ø8x25	PBOT06Q	
	1 701 7096	0G3275	Zylinderstift Ø10x25	Dowel pin Ø20/Ø8.2x0.9	PBOT10-40Q	
5	1 201 1931	0G3492	Tellerfeder Ø20/Ø8.2x0.9	Belleville washer Ø20/Ø8.2x0.9	PBOT06Q	
	1 201 1932	0G3276	Tellerfeder Ø20/Ø10.2x1	Belleville washer Ø20/Ø10.2x1	PBOT10-40Q	
6	76.4179	0G3665	Platte Motorbefestigung	Motor support	PBOT06Q	
	76.4205	0G3773	Platte Motorbefestigung	Motor support	PBOT10-40Q	
	87.2287		Platte Motorbefestigung	Motor support	PBOT15-30V	
7	1 701 5008	0KL250	Federring M8	Spring washer M8	PBOT06Q	
	1 701 5040	0K4616	Federring M10	Spring washer M10	PBOT10-40Q	
8	1 701 2525	0K4599	Sechskantschraube M8x16	Hex bolt M8x16	PBOT06Q	
	1 701 1565	0G6838	Sechskantschraube M10x20	Hex bolt M10x20	PBOT10-40Q	
9	70.0810.02	0K4547	Sicherungsring Ø30	Circlip ring Ø30		
10	76.4010.KD	0G5153	Dichtungsring Ø62/45x6	Sealing ring Ø62/45x6		
11	1 201 1933	0KG261	Dichtungsring Ø50.4x3.53	Sealing ring Ø50.4x3.53		
12	76.4009.KD	0G4656	Wellenzapfen	Journal		
13	76.4008	0K5588	Wellendeckel	Shaft end cap		
14	1 701 2570	0G5820	Sechskantschraube M8x20	Hex bolt M8x20		
15	70.0820.04	0KX276	Passfeder 8x7x45	Feather key 8x7x45		
16	70.0820.02	0K6227	Passfeder 8x7x36	Feather key 8x7x45		
17	76.4669.03	0G4465	Welle Rührwerk 60L	Shaft stirrer 60L	PBOT06Q	
	76.4669.05	0G4027	Welle Rührwerk 100L	Shaft stirrer 100L	PBOT10Q	
	76.4669.07	0KV455	Welle Rührwerk 150L	Shaft stirrer 150L	PBOT15Q	
	76.4669.08	0G4180	Welle Rührwerk 200L	Shaft stirrer 200L	PBOT20Q	
	76.4669.09	0G4008	Welle Rührwerk 300L	Shaft stirrer 300L	PBOT30Q	
	76.4669.10	0G4390	Welle Rührwerk 400L	Shaft stirrer 400L	PBOT40Q	
18	87.2374.06		Ankerrührer 150L	Anchor stirrer 150L	PBOT15V	
	87.2374.07		Ankerrührer 200L	Anchor stirrer 200L	PBOT20V	
	87.2374.08		Ankerrührer 300L	Anchor stirrer 300L	PBOT30V	
	1 201 1547	0K4527	Kleber Loctite 243 (50mL)	Glue Loctite 243 (50mL)		
	1 201 1937	0G4569	Klüber UH1 84-201 Schmierpaste (600g)	Klüber UH1 84-201 lubrication (600g)		
	76.9123	0G5919	Kabel: Thermorelais - Motor	Cable: thermal relay - motor		
19	87.7130.03	0G8347	Giterrührer Ohne Abstreifer	Stirrer without scrapers	PBOT06	8291...
	87.7130.04	0G8348	Giterrührer Ohne Abstreifer	Stirrer without scrapers	PBOT10	8291...
	87.7130.05	0G8349	Giterrührer Ohne Abstreifer	Stirrer without scrapers	PBOX15	8291...
	87.7130.06	0G8350	Giterrührer Ohne Abstreifer	Stirrer without scrapers	PBOT20	8291...
	87.7130.07	0G8351	Giterrührer Ohne Abstreifer	Stirrer without scrapers	PBOT30	8291...
	87.7130.08	0G8352	Giterrührer Ohne Abstreifer	Stirrer without scrapers	PBOT40	8291...
	87.7130.09	0G8353	Giterrührer Ohne Abstreifer	Stirrer without scrapers	PBOT50	8291...
	76.0240.02		Giterrührer Ohne Abstreifer UL	Stirrer without scrapers UL	BOT100	Until 8281...
	76.0240.03		Giterrührer Ohne Abstreifer UL	Stirrer without scrapers UL	BOT150	Until 8281...
	76.0240.04		Giterrührer Ohne Abstreifer UL	Stirrer without scrapers UL	BOT200	Until 8281...
	76.0240.05		Giterrührer Ohne Abstreifer UL	Stirrer without scrapers UL	BOT300	Until 8281...
20	1 701 2789	0G5041	Kugelsperrbolzen	Lock pin		
21	76.0246	0G5766	Lagerbüchse	Bearing bush		
22	87.0249.01	0G8329	Abstreifer Horizontal	Horizontal scraper	PBOT06	8291...
	87.0249.02	0G8330	Abstreifer Horizontal	Horizontal scraper	PBOT10	8291...
	87.0249.03	0G8331	Abstreifer Horizontal	Horizontal scraper	PBOX15	8291...
	87.0249.04	0G8332	Abstreifer Horizontal	Horizontal scraper	PBOT20	8291...
	87.0249.05	0G8333	Abstreifer Horizontal	Horizontal scraper	PBOT30-50	8291...
	76.0261.02	0G5520	Abstreifer Horizontal UL	Horizontal scraper UL	BOT100	Until 8281...
	76.0261.03	0G5521	Abstreifer Horizontal UL	Horizontal scraper UL	BOT150	Until 8281...

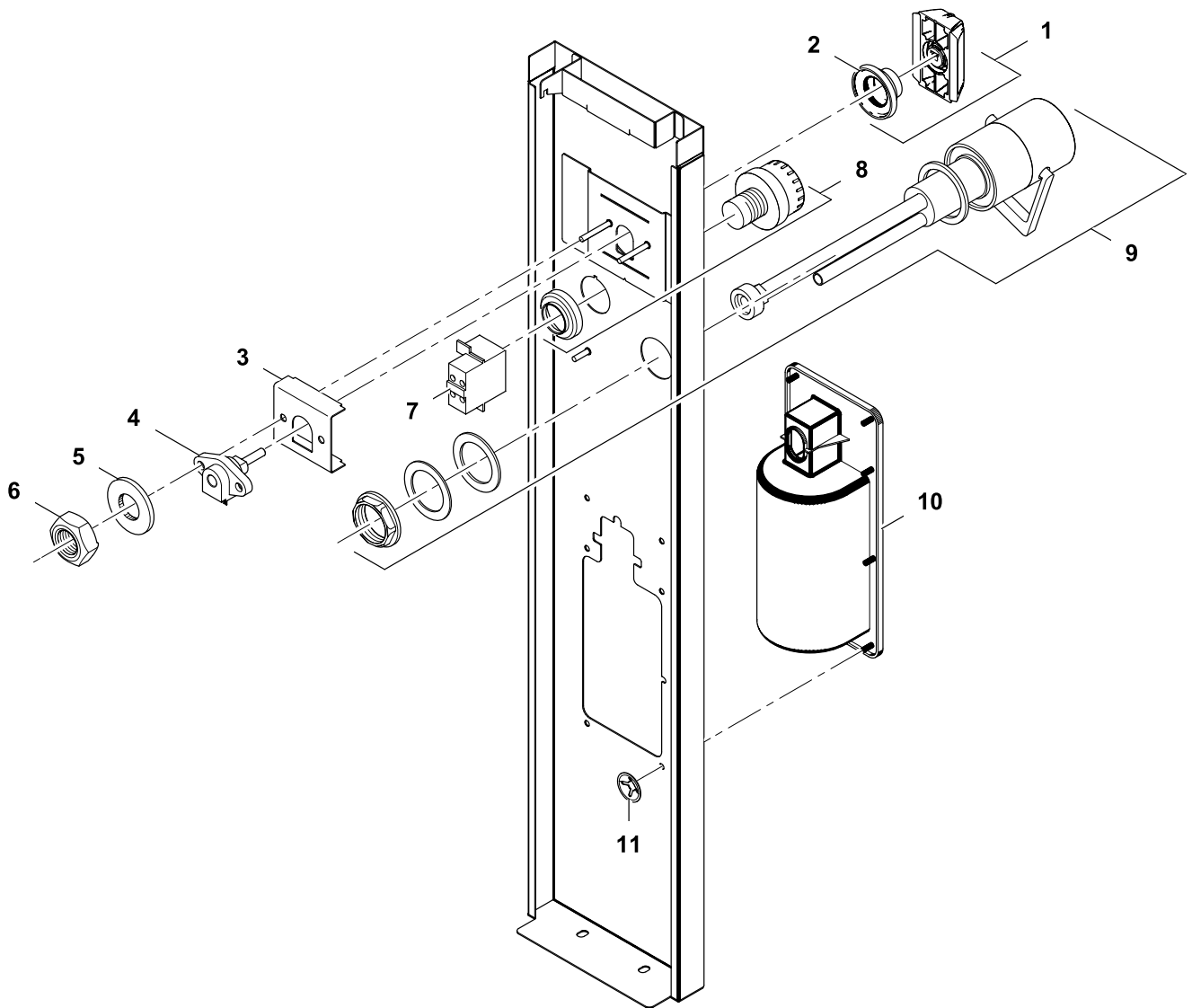


6	Alias	Code	Bezeichnung	Description	Ref.	Valid from Serial N°
1	72.4249	059218	Stellfuss 2" H200	Adjustible feet 2" H200	Standard + UL H700	
2	1 701 5004	0H9734	Federscheibe M5	Spring washer M5		
3	1 701 2509	0K4598	Sechskantschraube M5x12	Hex bolt M5x12		
4	72.4250.01	OG7274	Stellfuss 2" Marine H200	Adjustible feet 2" Marine H200	Marine	
5	72.4344	OG2948	Stellfuss 2" H100	Adjustible feet 2" H100	Standard H800	
6	1 201 1925	OG7248	Abdeckkappe	Cover cap		
7	712 044961.17	OKT854	Kabeltülle Ø25 Ø31 Ø35 x 10	Cable sleeve Ø25 Ø31 Ø35 x 10		

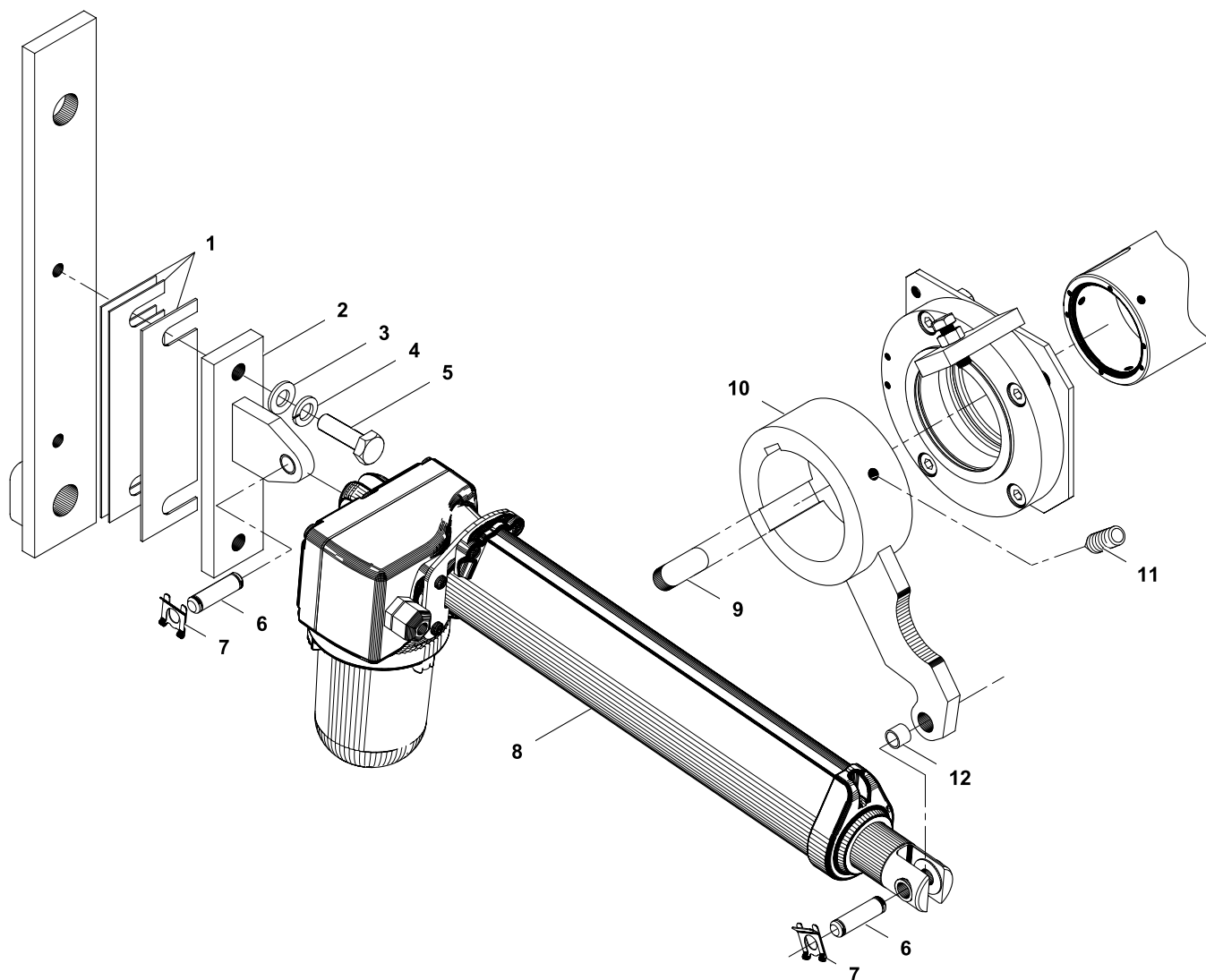
7	Alias	Code	Bezeichnung	Description	Ref.	Valid from Serial N°
1	1 701 5080	OKT913	Sicherungsring Ø70	Circlip ring Ø70		
2	76.4402	OKI520	Distanzscheibe	Spacer washer		
3	76.4037	OKI519	Distanzscheibe	Spacer washer		
4	76.3002	OKI517	Lagerband	Bearing strip		
5a	76.4425	OG4680	Lagerhalter links	Bearing retainer left		
5b	76.4337	OKT703	Lagerhalter rechts	Bearing retainer right		
6	1 701 2631	OKT916	Innensechskantschraube M8x25	Allen bolt M8x25		
7	1 701 3044	OK4612	Sechskantmutter M8	Hex nut M8		
8	1 701 2616	OKT918	Sechskantschraube M8x25	Hex bolt M8x25		
9	76.4341	OG4726	Gegenhalter	Counter support		
10	76.4038	OKT707	Stützscheibe	Retaining washer		
11	1 101 8148	OG2970	Innensechskantschraube M10x50	Allen bolt M10x50	100L	
	1 701 1073	OG4678	Innensechskantschraube M10x60	Allen bolt M10x60	60L	
	1 701 1074	OG4679	Innensechskantschraube M10x70	Allen bolt M10x70	150 - 400L	
12	76.4102.01	OG3135	Abdeckung Lagerzapfen	Cover bearing spigot	100L	
	76.4102.02	OG4677	Abdeckung Lagerzapfen	Cover bearing spigot	150L - 400L	
	76.4102.04	OG4675	Abdeckung Lagerzapfen	Cover bearing spigot	60L	
13a	76.4528	OG4126	Lagerzapfen links	Bearing spigot left		
13b	76.4033	OT5477	Lagerzapfen rechts	Bearing spigot right		
14	76.3004	OKI521	Dichtmanschette	Sealing sleeve		
15	1 701 7058	OG6089	Schwerspannstift 6x26	Spring pin 6x26		
16a	76.4530.01	OG3498	Zwischenring links 20mm	Spacer bracket left 20mm	100L - 400L	
	76.4530.02	OG6420	Zwischenring links 30mm	Spacer bracket left 30mm	60L	
16b	76.4031.01	OKT709	Zwischenring rechts 20mm	Spacer bracket right 20mm	100L - 400L	
	76.4031.02	OKT708	Zwischenring rechts 30mm	Spacer bracket right 30mm	60L	
17	76.4362		Kipphebel geschweisst	Tilting lever welded	D800/850	
	76.4022	OKW902	Kipphebel geschweisst	Tilting lever welded	D900/1000	
18	1 701 7094	OG4248	Gewindestift I-6kt M8x12	Allen setzcrew M8x12		
19	1 201 1907	OKT929	Keilfeder 14x9x36	Feather key 14x9x36		



8	Alias	Code	Bezeichnung	Description	Ref.	Valid from Serial N°
1a	87.1013.03	0G7714	Steuerfront	UI panel	400H 800/900/1000 depth	
1b	87.1013.01	*	Steuerfront	UI panel	700H 800/900/1000 depth	
	87.1013.02	*	Steuerfront	UI panel	800H 800/900/1000 depth	
1c	87.1013.07	*	Steuerfront mit Hauptschalter	UI panel with main switch	700H 800/900/1000 depth	
	87.1013.08	*	Steuerfront mit Hauptschalter	UI panel with main switch	800H 800/900/1000 depth	
	87.1013.15	*	Steuerfront mit Hauptschalter	UI panel with main switch	400H 900 depth (1000 depth)	
	87.1013.16	*	Steuerfront mit Hauptschalter	UI panel with main switch	700H 900 depth (1000 depth)	
	87.1013.17	*	Steuerfront mit Hauptschalter	UI panel with main switch	800H 900 depth (1000 depth)	
2	87.1008	0G6081	Folie	Foil		
3	87.9004	0C6546	Abdeckkappe zu USB	USB cover		
4	87.9005	0G7687	Dichtung zu USB	USB sealing		
5	87.9003	0C6547	Halter zu USB	USB support		
6	87.1014	0G7715	Blech zu USB	USB fixation sheet		
7	712 044120.04	0G4918	Kepsmutter M4	Hex nut M4		
8	87.9030	0C6566	Kabel COPUI40-USB	Cable COPUI40-USB		
9	87.7117		Dichtung Steuerung	Sealing user interface		
10	87.9043_0	0G5909	Steuerung komplett	User interface assembled		until 9171...
	87.9043_1	0G6990	Steuerung komplett	User interface assembled		from 5181... to 9171...
	87.9242	0G8585	Steuerung komplett COPUI70	User interface COPUI70 assembled		9181...
11	87.9010	0G5956	Kabel Klemmen-COPUI40S	Cable terminal-COPUI40S		
	87.9222		Kabel Klemmen-COPUI40S Marine	Cable terminal-COPUI40S Marine	Marine 400/440V	
12	87.9033	0G5957	Kabel COPUI40-COP20	Cable COPUI40-COP20		
13	1 701 5004	0H9734	Federring M5	Spring washer M5		
14	1 701 3008	0G6111	Sechskantmutter M5	Hex nut M5		
15	76.9164.01	0G2137	Hauptschalter 25A	Main switch 25A		
	76.9149.02		Kabel 5x2.5mm² L=1400	Cable 5x2.5mm² L=1400		
	76.9164.02	0K4979	Hauptschalter 63A	Main switch 63A		
	76.9149.06	0G7114	Kabel 5x6mm² L=1400	Cable 5x6mm² L=1400		
	76.9164.03	0K4980	Hauptschalter 80A	Main switch 80A		
	76.9149.10		Kabel 5x16mm² L=1400	Cable 5x16mm² L=1400		
	76.9164.04	0G3828	Hauptschalter 125A	Main switch 125A		
	87.9227	0G7997	Kabel COPUI40D-Inverter Kommunikation	Cable: COPUI40D-Inverter communication	PBOTxxV	

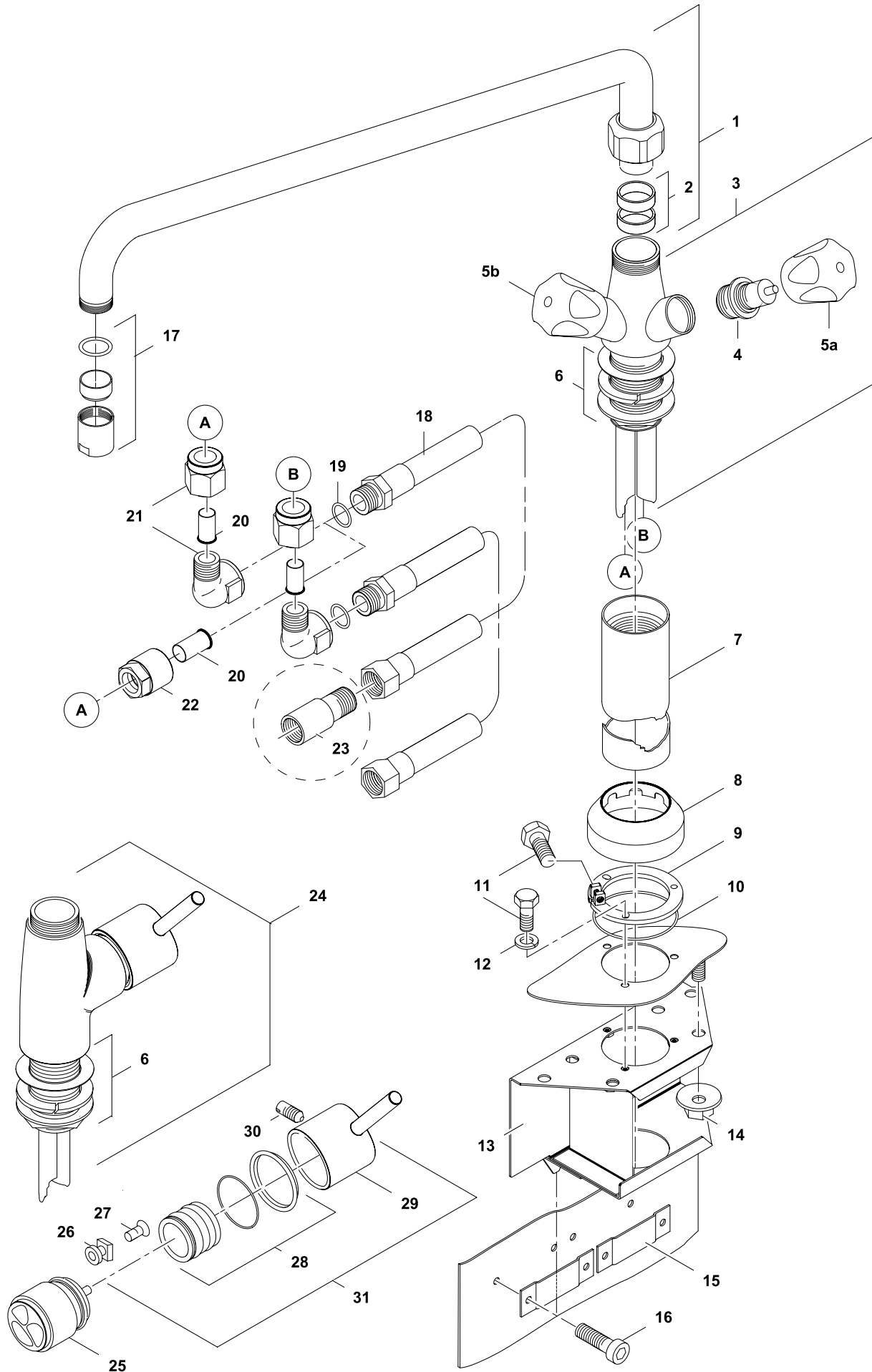


9	Alias	Code	Bezeichnung	Description	Ref.	Valid from Serial N°
1	87.7072_0.KD	OG6644	Drehgriff komplett	Handle with adapter and sealing		
2	82.7009	OG6247	Dichtung Drehgriff	Sealing handle		
3	87.1363	OG7236	Abstandsblech	Spacer		
4	87.9118	OG6267	Kipppotentiometer 7POT5KEO	Tilting potentiometer 7POT5KEO		
5	1 701 3502	OG3595	Unterlegscheibe Ø4,3 x Ø9,0 x 0,8	Wascher Ø4,3 x Ø9,0 x 0,8		
6	1 701 3004	OK4606	Sechskantmutter M4x0.8	Hex nut M4x0.8		
7	76.9108.02	OK5160	Kontaktgeber Notaus	Terminal emergency stop		
8	76.9075.03	OKX129	Notausschlater	Emergency stop button		
9	86.7120	OG6839	Einhebelmischer	One-lever mixer tap		until 9051...
10	86.7124	OG7860	Frontblende Spray Gun	Front panel spray gun		
11	1 701 5083	OG6850	Quicklock-Scheibe	Quicklock fixing washer		

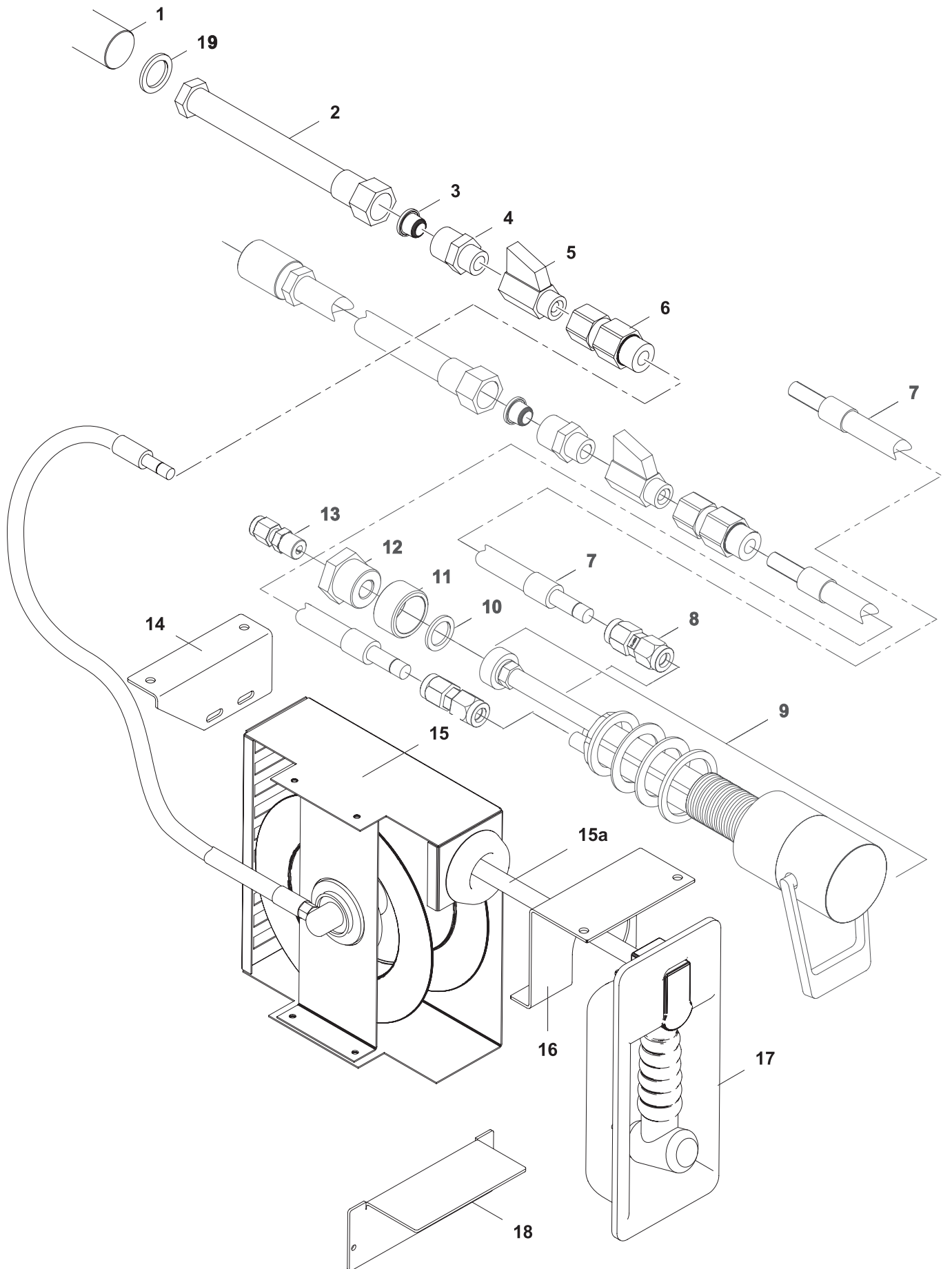


10	Alias	Code	Bezeichnung	Description	Ref.	Valid from Serial N°
1	76.0066.01	OK5492	Zwischenblech 1mm	Spacer sheet 1mm		
	76.0066.03	OK5494	Zwischenblech 1,5mm	Spacer sheet 1,5mm		
2	76.0162	OG2930	Motorhalter	Motor support	Depth 900	
	76.0163	OG6384	Motorhalter	Motor support	Depth 1000	
3	1 701 3516	OT5917	Unterlegscheibe Ø10.5 x Ø21 x 2	Washer Ø10.5 x Ø21 x 2		
4	1 701 5040	OK4616	Federring M10	Spring washer M10		
5	1 701 2543	OK4601	Sechskantschraube M10x35	Hex bolt M10x35		
6	87.7041	OG6840	Bolzen M10x30	Pin M10x30		
7	1 201 1927	OK5499	Federklammer Ø10	Spring clip Ø10		
8	87.9113	OG6269	Kippmotor SIR 3000N lang 6814421	Tilting motor SIR 3000N lang 6814421	60L - 150L	4141...
	87.9112	OG6268	Kippmotor SIR 6000N lang 6814420	Tilting motor SIR 6000N lang 6814420	200L - 400L	until 7511...
	87.9240	OG8106	Kippmotor SIR 6000N lang 6170153	Tilting motor SIR 6000N lang 6170153	400L - 500L	7521...
	76.3090	OK4753	Kippmotor 3000N lang	Tilting motor 3000N long	60L (D900) - 150L	3401...
	76.3091	OK4754	Kippmotor 8000N lang	Tilting motor 8000N long	200L - 500L	3401...
9	1 201 1907	OKT929	Passfeder 14x9x36	Feather key 14x9x36		
10	76.2027.01	OG7635	Kipphebel	Rocker arm	Depth 900/1000	
	76.2027.02	*	Kipphebel	Rocker arm	Depth 800	
11	1 701 7094	OG4248	Gewindestift m. Innensechskant M8x12	Allen set screw M8x12		
12	76.4115	OK5498	Lager GLEIT-PERMAGLIDE	Fiberglide		

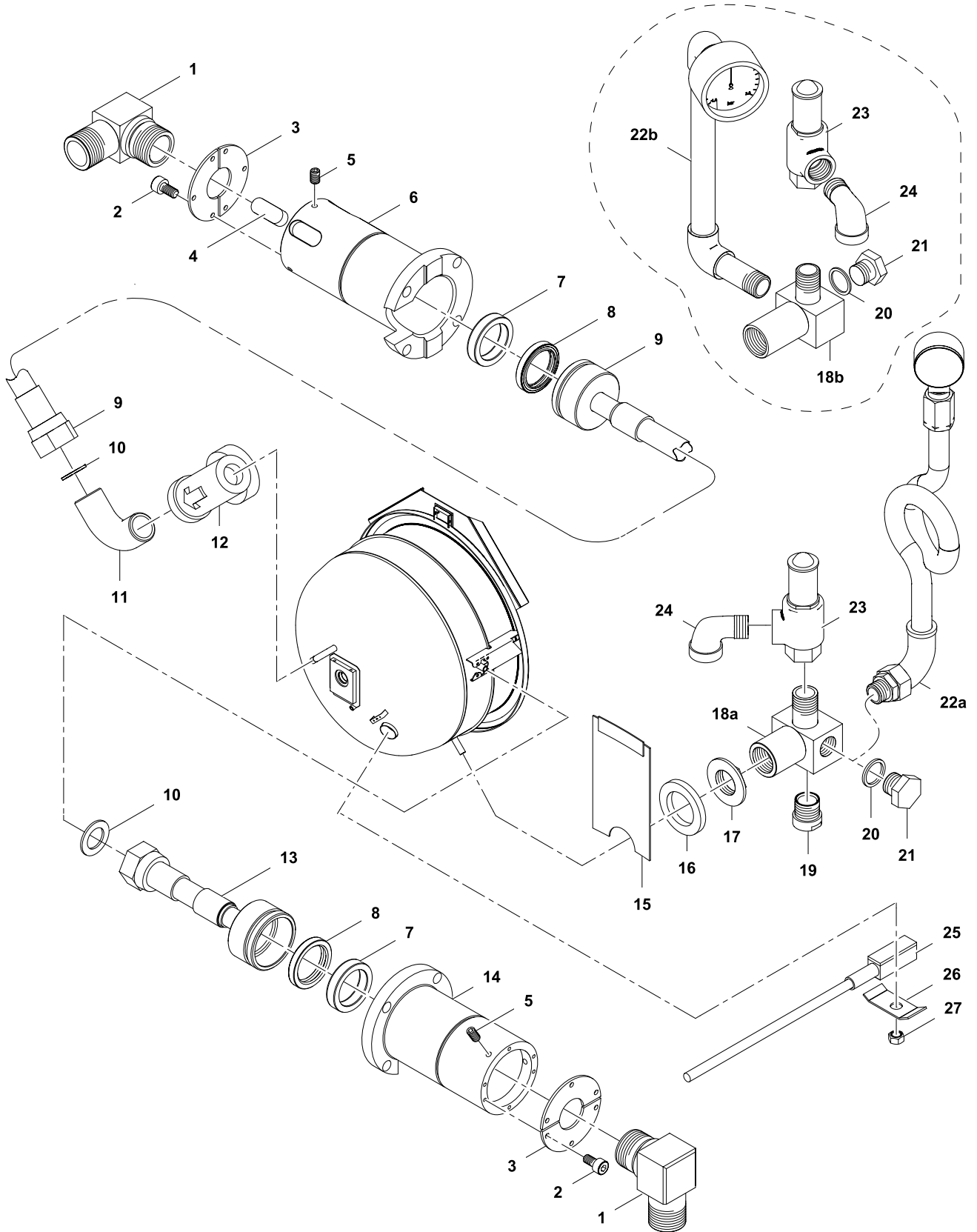
* Components on demand
* Teile auf Anfrage



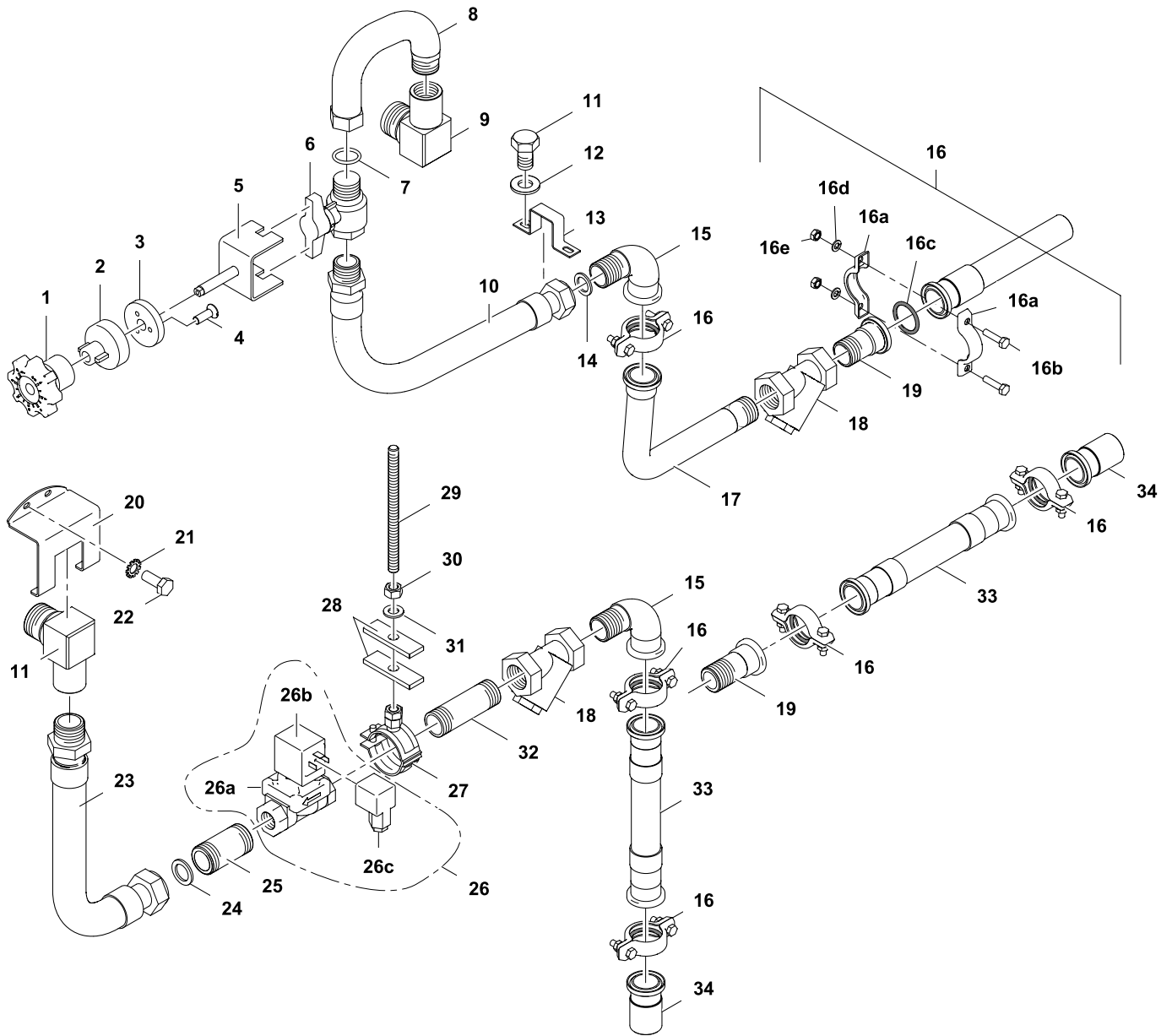
11	Alias	Code	Bezeichnung	Description	Ref.	Valid from Serial N°
	76.2013.01_KD	OKL304	Kit Zweihebel-Mischbatterie 330x600mm Kit enthält Pos.: 1-16, 18-20, 22	Kit mixing tap, 2 knobs, 330x600mm Kit contains pos.: 1-16, 18-20, 22		
1	712 344884.04	OK5360	KWC Schwenkauslauf 3/4", 600mm	KWC swivel spout 3/4", 600mm		
	712 344884.03	OK5358	KWC Schwenkauslauf 3/4", 450mm	KWC swivel spout 3/4", 450mm		
	712 344884.02	OK5359	KWC Schwenkauslauf 3/4", 300mm	KWC swivel spout 3/4", 300mm		
2		OK3930	Dichtungsringe	Sealing rings		
3	712 344884.01	OK5355	KWC Zweihebel-Mischbatterie	KWC Mixing tap, 2 knobs		
4		OK5357	Ventileinsatz 3/4"	Valve insert 3/4"		
5a		OK5826	Griff blau	Knob blue		
5b		OK5827	Griff rot	Knob red		
6		OG3239	Set Verschraubung 5/4"	Kit Fixation 5/4"		
7	72.5976.01	OG5227	Standrohr 460mm	Stand pipe 460mm		
	72.5976.02	OG3179	Standrohr 330mm	Stand pipe 330mm		
	72.5976.03	OG4753	Standrohr 160mm	Stand pipe 160mm		
8	72.0435	OG3091	Rosette zu Standrohr	Stand pipe collar		
9	72.5919	OKT745	Sicherungsring	Fixation ring		
10	712 044480.14	OKT793	O-Ring ORM 0530-20	Joint ORM 0530-20		
11	1 701 2632	OG3677	Sechskantschraube M4 x 16	Hex bolt M4x16		
12	1 701 5002	OKL273	Federring M4	Spring washer M4		
13	76.0119.01	OT2658	Konsole Mischbatterie	Console mixing tap		
14	712 044120.05	OG3998	Kepsmutter M5	Keps nut M5		
15	76.0033	OG3979	Hutprofil	Clamping profile		
16	1 101 8129	OG3676	Innensechskantschraube M5 x 16	Allen bolt M5 x 16		
17		OG3238	Tropfenschutz 3/4"	Drip stop 3/4"		
18	712 344893.01	OKW734	Panzerschlauch L1700 G1/2" / R1/2"	Armored hose L1700 G1/2" / R1/2"		until 9441...
	87.7188.01	OG8753	Panzerschlauch L1700 G1/2" - I/A	Armored hose L1700 G1/2" - I/A		9451...
	712 344893.02	OK5363	Panzerschlauch L1100 G1/2" / R1/2"	Armored hose L1100 G1/2" / R1/2"		until 9441...
	87.7188.02	OG8754	Panzerschlauch L1100 G1/2" - I/A	Armored hose L1100 G1/2" - I/A		9451...
	712 344893.03	OG6530	Panzerschlauch L600 G1/2"	Armored hose L600 G1/2"		until 9441...
	87.7188.03	OG8755	Panzerschlauch L600 G1/2" - I/A	Armored hose L600 G1/2" - I/A		9451...
19	712 044481.21	OG3610	Flachdichtung Ø 18/11x2 G1/2"	Flat seal Ø 18/11x2 G1/2"		until 9051...
	87.2429	OG8524	Dichtung 18x11x2	Gasket 18x11x2		9061...
20	1 101 3797	OKE129	Stützhülse	Sleeve		
21	1 101 3798	OK4489	Winkel-Anschluss G1/2"	Angle connection G1/2"		
22	1 101 2075	OKX119	Anschluss G1/2"	Connection G1/2"		
23	87.5168	OG6646	WFA Adapter G1/2"	WFA Adapter G1/2"		
24	712 344884.05	*	KWC Einhebel-Mischbatterie	KWC mixing tap, one lever		
25		OKI140	Steuerpatrone	Mixer tap cartridge		
26	Z.632.240	KWC	Kunststoffeinsatz	Plastic insert		
27	Z.602.997	KWC	Schraube M4 x 15	Screw M4 x 15		
28	Z.535.675	KWC	Befestigung mit Gleitringen	Fixation with slide rings		
29	Z.634.829	KWC	Bedienhebel , chrom	Control lever, chrome		
30	Z.605.952	KWC	Gewindestift M6 x 10	Set screw M6 x 10		
31	Z.535.674	KWC	Bedienhebel mit Befestigung	Control lever with fixation		



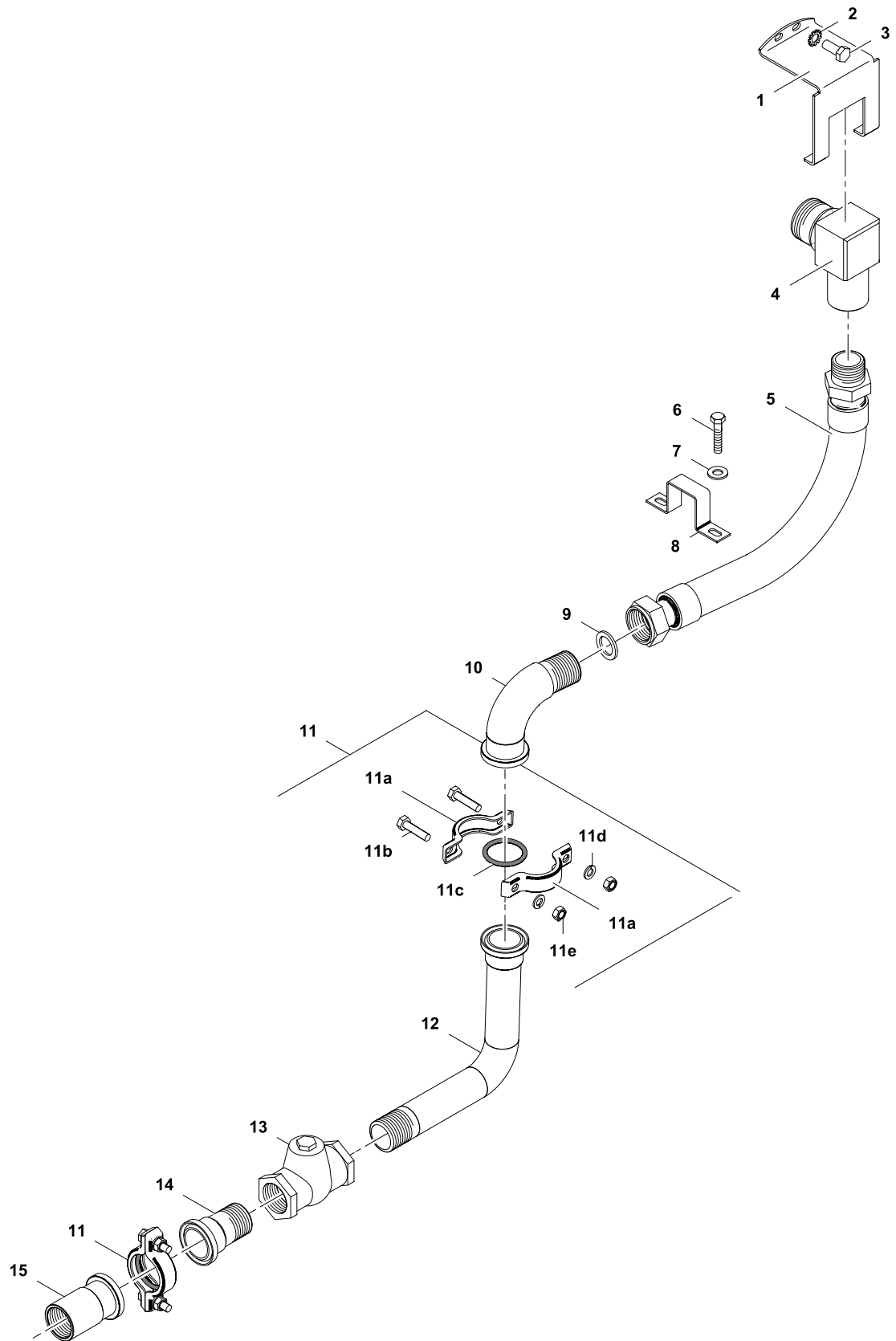
12	Alias	Code	Bezeichnung	Description	Ref.	Valid from Serial N°
1	87.5168	OG6646	Adapter zu WFA	Adapter for WFA		
2	712 344893.04	OG7140	Panzerschlauch L600	Armored hose L600		until 9441...
	87.7188.04	OG8756	Panzerschlauch L600	Armored hose L600		9451...
3	1 701 2827	OG6842	Hutfilter 1/2-50/50 H12	Filter insert 1/2-50/50 H12		
4	1 116 1219	OG6843	Reduziernippel	Reduction nipple		
5	86.1086	OG6844	Kugelhahn mini 3/8"	Ball valve mini 3/8"		
6	86.1087	OG6845	Rückschlagventil 3/8"	Check valve 3/8"		until 9051...
	87.7151	OG8523	Rückschlagventil 3/8"	Check valve 3/8"		9061...
7	87.5147	OG6846	Schlauch Ø10	Hose Ø10		until 9051...
8	1 101 2156	OG6847	Gerade Verschraubung mit Rohranschluss	Straight pipe fitting		until 9051...
9	86.7120	OG6839	Einhebelmischer	One-lever mixer tap		until 9051...
10	712 044481.04	OG3951	Flachdichtung Ø24x17x2	Flat sealing		until 9051...
11	1 116 1156	OG6848	Muffe halb 3/4" - 1/4"	Turnbuckle 3/4" - 1/4"		until 9051...
12	1 117 1296	OG6851	Buchse 3/4" - 1/4"	Hex bushing 3/4" - 1/4"		until 9051...
13	1 101 3901	OKT947	Verschraubung mit Einschraubnippel	Pipe fitting with threaded nipple		until 9051...
14	87.4035	*	Halter Spray Gun oben	Upper spray gun support		
15	86.7123	OG5969	Spray Gun	Spray gun		
15a	87.7068	OG6579	Schlauch EPDM zu Spray Gun	Hose EPDM for spray gun		
16	87.5152	*	Halter Spray Gun oben (H400)	Upper Spray gun support (H400)	H400	
17	86.7124	OG7860	Frontblende Spray Gun	Front panel spray gun		
18	87.4034	*	Halter Spray Gun unten (H700)	Lower spray gun support (H700)	H700	
19	87.2429	OG8524	Dichtung 18x11x2	Sealing 18x11x2		9061...



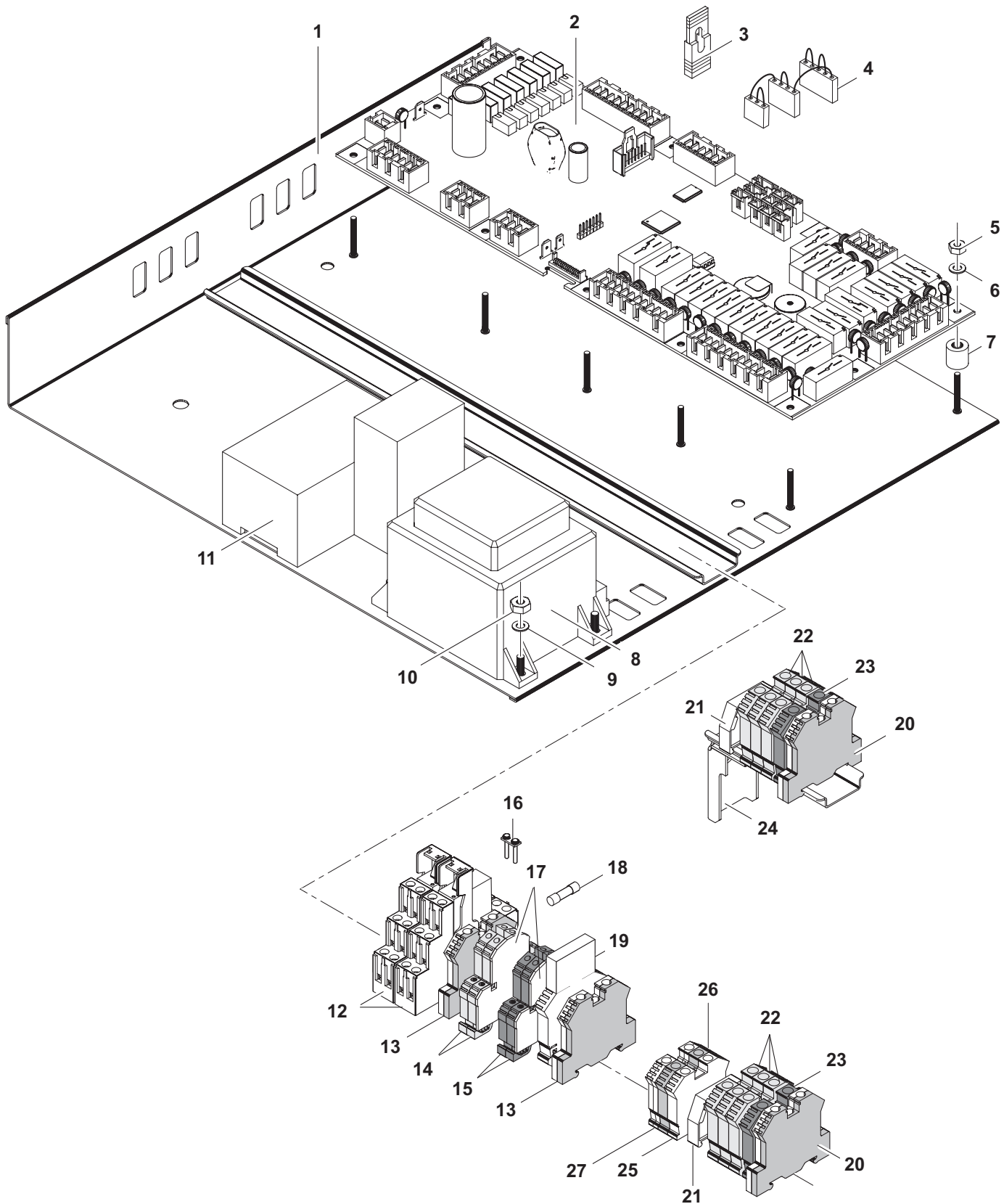
13	Alias	Code	Bezeichnung	Description	Ref.	Valid from Serial N°
1	76.2071	OKT721	Gelenkzapfen	Angle fitting		
2	1 101 8170	OG3250	Innensechskantschraube M4x8	Allen screw M4x8		
3	76.8066	OKT694	Anschlag	Locator		
4	1 201 1907	OKT929	Passfeder 14x9x36	Feather key 14x9x36		
5	1 701 7091	OG3982	Gewindestift mit Innensechskant M6x8	Allen set screw M6x8		
6	76.4528	OG4126	Lagerzapfen links	Bearing spigot left		
7	76.1522	OG5578	Lagerbüchse	Bearing bush		
8	76.3010	OK5597	Radial-Wellendichtung	Radial shaft seal		
9	76.4553.02	OKW702	Einbauleitung L=400	Built in pipe L=400	PBOT06SVCO	
	76.4553.03	OG3137	Einbauleitung L=500	Built in pipe L=500	60L/100L	
	76.4553.04	OG4552	Einbauleitung L=700	Built in pipe L=700	150L - 400L	
10	1 101 2086	OG3156	Kupferdichtung	Copper Seal		
11	1 101 2159	OG6447	Winkelverschraubung	Angle connection		
12	1 201 2016	OKX273	Kondensatableiter 3/4"	Condensate drain 3/4"		
13	76.4553.01	OG2682	Einbauleitung L=128	Built in pipe L=128		
14	76.4033	OT5477	Lagerzapfen rechts	Bearing spigot right		
15	76.4080	OG4067	Deckel Außenmantel	Mantle cover		
16	712 044489.01	OG6852	Dichtungsmanschette	Seraling collar		
17	712 344858.23	OK8849	Gegenmutter 3/4"	Counter nut 3/4"		
18a	76.4555	OG3571	Armaturkörper	Fitting		
18b	87.2234	OG6853	Armaturkörper *CHINA	Fitting *China		
19	12.7296	OH9729	Belüftungsstopfen 1/2"	Air vent cap 1/2"		
20	1 101 2157	OK5545	Kupferdichtung 21x26	Copper Seal 21x26		
21	1 117 1239	OKV476	Stopfen 1/2"	Stopper 1/2"		
22a	87.0101	OG6366	Prüfmanometer Service	Testing manometer	PBOTxxS/T/Q	
22b		PA020600	Anbaumanometer *China L200	Integrated manometer *China L200	60L/100L	
		PA020700	Anbaumanometer *China L250	Integrated manometer *China L250	150L/200L	
		PA020800	Anbaumanometer *China L300	Integrated manometer *China L300	300L/400L	
23	86.2424	OG5631	Sicherheitsventil	Safety valve		
24	1 101 2162	OG6161	Einschraubwinkel 1/2"	Screw in angle connection 1/2"		
	1 201 1813	OG3817	Kleber LOCTITE 577	Glue LOCTITE 577		
	21 775	OG2699	Teflonband	Teflon strip		
25	87.9147.01.KD	OG6280	TC Sensor Food gelb	TC Sensor food, yellow		
26	76.4191	OG3087	Fühlerhalter	Sensor fixation		
27	1 701 3008	OG6111	Sechskantmutter M5	Hex nut M5		
	1 201 1510	OG6854	Wärmeleitpaste RTP-1	Heat conducting paste PTP1		



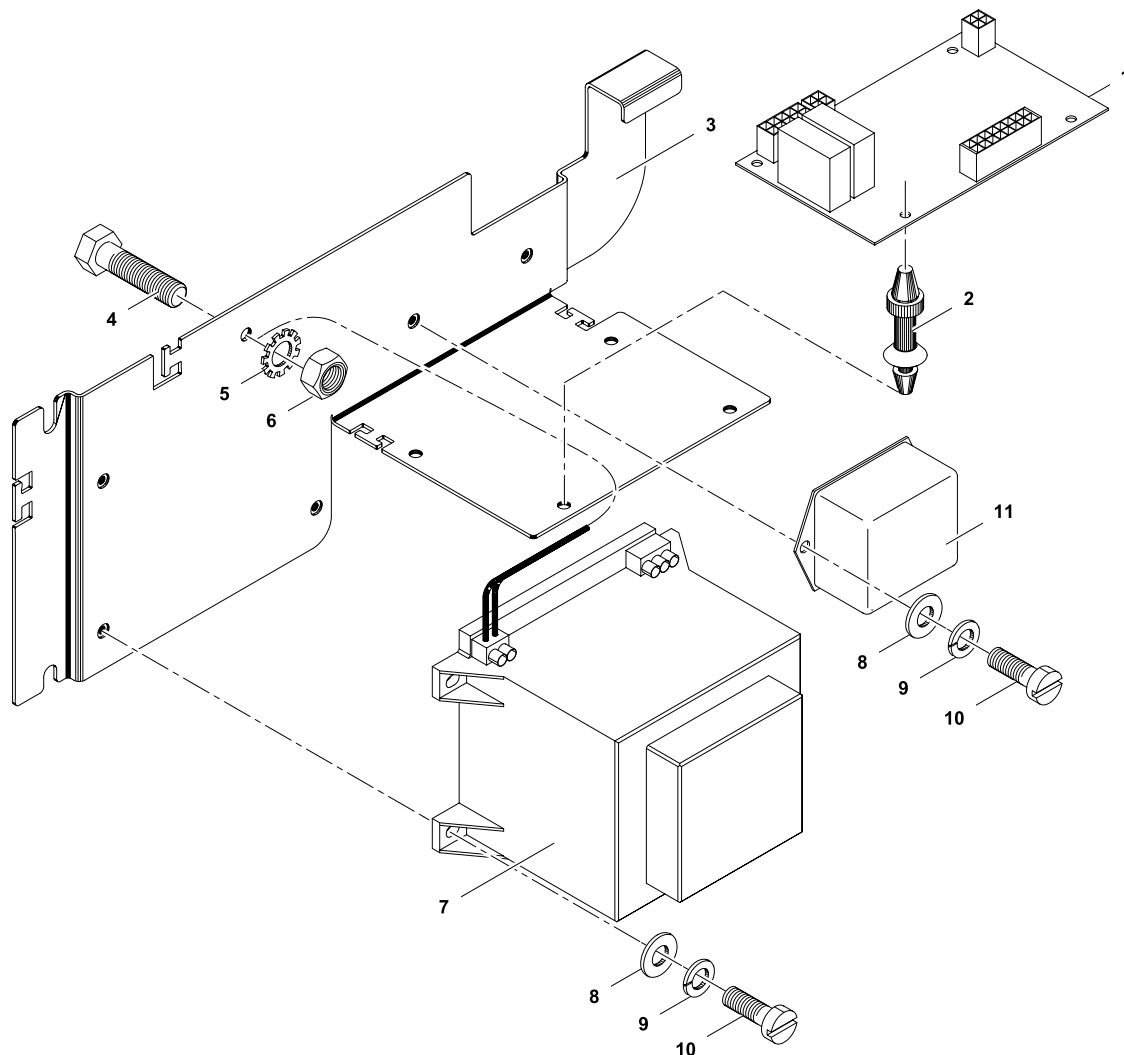
14	Alias	Code	Bezeichnung	Description	Ref.	Valid from Serial N°
1	76.3637.KD	*	Drehrad	Handle	PBOTxxT	
2	76.3643	OG6855	Rosette 48x37	Round anchor plate 48x37	PBOTxxT	
3	76.2070	OG3033	Distanzring	spacer ring	PBOTxxT	
4	1 701 1028	OG3034	Senkkopfschraube M4x12	Countersunk screw M4x12	PBOTxxT	
5	87.2240	OG6856	Verlängerung	Extension piece	PBOTxxT	
6	76.3676	OG5838	Kugelhahn 3/4" mit Planetengetriebe	Ball valve 3/4" with planetary gear	PBOTxxT	
7	1 101 2158		Kupferdichtung	Copper sealing	PBOTxxT	
8	71.3202	OKT787	Rohr flexibel DN20 3/4"	Flexible pipe DN20 3/4"	PBOTxxT	
9	76.2071	OKT721	Gelenkzapfen	Angle fitting		
10	76.3183.01	OG3008	Metallschlauch 420	Metal pipe 420	PBOTxxT	
11	1 701 2579	OG4020	Sechskantschraube M5x16	Hex bolt M5x16	PBOTxxT	
12	1 701 3535	OG3588	Unterlegscheibe M5	Washer M5	PBOTxxT	
13	76.2072	OT2683	Rohrschelle D30	Pipe clamp D30	PBOTxxT	
14	1 101 2086	OG3156	Kupferdichtung Ø24x16.2x2	Copper sealing Ø24x16.2x2	PBOTxxT	
15	76.4558.01	OG3268	Anschluss gebogen	Bended connection		
16	76.2030.KD	OG2723	Sandvik-Kupplung	Sandvic-coupling		
16a	712 844253	OG3856	Klammer (1/2 Klammer)	Bride (1/2 bride)		
16b	1 701 2516	OT1795	Sechskantschraube M6x25	Hex bolt M6x25		
16c	712 0444490	OK5556	Dichtungsring	Sealing ring		
16d	1 701 5007	OG6058	Federscheibe M6	Spring washer		
16e	1 701 3016	OG5739	Sechskantmutter M6x8D	Hex nut M6x8D		
17	87.2242.01	OG6857	Dampfleitung Vorlauf; Handsteuerung	Steam inlet line	PBOTxxT/D=900	
18	1 201 2036	OKL216	Schmutzfangsieb 3/4"	Dirt trap 3/4"		
19	76.2098	OG4169	Anschluss gerade	Straight connection		
	1 201 1813	OG3817	Kleber LOCTITE 577	Glue LOCTITE 577		
20	76.0267	*	Verdrehsicherung	Locking device	PBOTxxS/Q	
21	1 701 3535	OG3588	Unterlegscheibe M5	Washer M5	PBOTxxS/Q	
22	1 701 2579	OG4020	Sechskantschraube M5x16	Hex bolt M5x16	PBOTxxS/Q	
23	76.3183.01	OG3008	Metallschlauch 420	Metal pipe 420	PBOTxxS/Q D1000	
	76.3183.02	OG3971	Metallschlauch 320	Metal pipe 320	PBOTxxS/Q D800/900	
24	76.4571.01	OG3157	Doppelnippel 3/4" dickwandig	Double nipple	PBOTxxS/Q	
25	1 101 2086	OG3156	Kupferdichtung Ø24x16.2x2	Copper sealing	PBOTxxS/Q	
26	76.3097_4	OG5741	Magnetventil 3/4" 2/2-Wege 60-170°C	Magnetic valve 3/4" 2/2-way 60-170°C	PBOTxxS/Q	
26a	76.3510	OG5597	Magnetventil	Magnetic valve	PBOTxxS/Q	
26b	76.3511	OG5598	Spule	Coil	PBOTxxS/Q	
26c	76.4935	OK4978	Stecker Magnetventil 3-polig	Plug for magnetic valve 3-pin	PBOTxxS/Q	
27	1 201 2018.01	OG5895	Rohrschelle M8/10 x25-28	Pipe clamp M8/10 x25-28	PBOTxxS/Q	
28	87.2141	*	Befestigungsplatte	Fixation plate	PBOTxxS/Q	
29	76.8766	OG7589	Gewindestange M10x150mm	Threaded rod M10x150mm	PBOTxxS/Q	
30	1 701 3027	OT1781	Sechskantmutter M10x8	Hex bolt M10x8	PBOTxxS/Q	
31	1 701 3516	OT5917	Unterlegscheibe Ø10.5xØ20x2	Washer Ø10.5xØ20x2	PBOTxxS/Q	
32	1 201 2128	OG6364	Doppelnippel 3/4" x80	Double nipple 3/4" x80	PBOTxxS/Q	
33	76.4557.03	OG6858	Installationsleitung	Installation pipe	PBOTxxS/Q	
34	TS 2.2827	OG6023	Anschluss Hauptleitung	Mains supply connection		
	1 201 1813	OG3817	Kleber LOCTITE 577	Glue LOCTITE 577		



15	Alias	Code	Bezeichnung	Description	Ref.	Valid from Serial N°
1	76.0266	*	Verdrehsicherung	Locking device		
2	1 701 3535	OG3588	Unterlegscheibe M5	Washer M5		
3	1 701 2579	OG4020	Sechskantschraube M5x16	Hex bolt M5x16		
4	76.2071	OKT721	Gelenkzapfen	Angle fitting		
5	76.3183.01	OG3008	Metallschlauch 420	Metal pipe 420	PBOTxxS/Q/T D=1000	
	76.3183.02	OG3971	Metallschlauch 320	Metal pipe 320	PBOTxxS/Q/T D=800/900	
6	1 701 2579	OG4020	Sechskantschraube M5x16	Hex bolt M5x16		
7	1 701 3535	OG3588	Unterlegscheibe M5	Washer M5		
8	76.2072	OT2683	Rohrschelle D30	Pipe clamp D30		
9	1 101 2086	OG3156	Kupferdichtung Ø24x16.2x2	Copper sealing Ø24x16.2x2		
10	76.4558.01	OG3268	Anschluss gebogen	Bended connection		
11	76.2030.KD	OG2723	Sandvik-Kupplung	Sandvic-coupling		
11a	712 844253	OG3856	Klammer (1/2 Klammer)	Bride (1/2 bride)		
11b	1 701 2516	OT1795	Sechskantschraube M6x25	Hex bolt M6x25		
11c	712 0444490	OK5556	Dichtungsring	Sealing ring		
11d	1 701 5007	OG6058	Federscheibe M6	Spring washer		
11e	1 701 3016	OG5739	Sechskantmutter M6x8D	Hex nut M6x8D		
12	76.2234.02	OG6859	Dampfleitung Rücklauf	Steam return line	PBOTxxS/Q; D=800/900	
	76.2234.03	OG6860	Dampfleitung Rücklauf	Steam return line	PBOTxxS/Q; D=1000	
	87.2242.01	OG6857	Dampfleitung Rücklauf; Handsteuerung	Steam return line; hand valve	PBOTxxT; D=900	
13	1 201 2035	OKL247	Rückschlagventil 3/4"	Check valve 3/4"		
14	76.4558.02	OG3269	Anschluss gerade	Straight connection		
15	TS 2.2827	OG6023	Anschluss Hauptleitung	Mains supply connection		
	1 201 1813	OG3817	Kleber LOCTITE 577	Glue LOCTITE 577		



16	Alias	Code	Bezeichnung	Description	Ref.	Valid from Serial N°
1	879188.01	*	Steuerträger standard PxxT	Support frame		
2	879015	0G5908	Motherboard COP20	Motherboard COP20		until 9051...
	879241	0G8492	Motherboard COP70	Motherboard COP70		9061...
3	879191	0G7123	Jumper	Jumper		
4	879190	0G6638	Jumper Core Temp	Jumper Core Temp		
5	1 701 3057	0U0182	Sechskantmutter M3	Hexs nut M3		
6	1 701 3540	0K1478	Unterlegscheibe M3	Washer M3		
7	76.3011.03	0G3094	Distanzhalter 12mm	Spacer 12mm		
8	879036	0G5910	Transformator PMA 70VA 230V-12/24V	Transformer PMA 70VA 230V-12/24V		
9	1 701 3502	0G3595	Unterlegscheibe M4	Washer M4		
10	1 701 3004	0K4606	Sechskantmutter M4	Hex nut M4		
11	76.9165.01	0G2114	Wendeschutz	Thermal overload relay	PBOTxxQ	
12	76.9482	0G3933	Relais 12V	Relay 12V	PBOTxxQ	
	76.9483	0G4009	Relais 230V UL	Relay 230V UL	PBOTxxV	
13	75.2011.01	0KT730	Schutzleiterklemme 2.5-4mm ²	Ground conductor terminal 2.5-4mm ²		
14	75.2010.10	0KT734	Reihenklemme grau	Terminal block grey		
15	75.2010.11	0KT733	Nullleiterklemme blau	Neutral wire terminal blue		
16	75.2010.14	0G5735	Querverbinder	Cross connection		
17	75.2010.12	0T2598	Abschlusswand	Cover		
18	712 344362.01	0G5814	Sicherung 5x20 1AF	Fuse 5x20 1AF		
19	76.9527.01	0G3940	Sicherungsklemme 10mm ²	Fuse holder terminal 10mm ²		
	76.9527.02	0G4585	Abschlusswand zu Sicherungsklemme	Cover for fuse holder terminal		
20	75.2011.02	0KT729	Schutzleiterklemme 6-10mm ²	Ground conductor terminal 6-10mm ²		
21	75.2013	0KX290	Arretierstück	Fixation		
22	75.2010.30	0KT732	Reihenklemme grau	Terminal block grey		
23	75.2010.31	0G3495	Nullleiterklemme grün	Neutral wire terminal green		
24	76.9011.01	*	Klemmschiene	Clamp rail		
	76.9117.05	0G5927	Litze Haupterdraht	Litz wire earthing		
	879080	0G5930	Kabel: COP20 - Dampfventil	Cabel: COP20 - steam valve		
	879037	0G5923	Kabel: N - Trafo - P	Cabel: N - Transformator - P		
	879077	0G5924	Kabel: N - Trafo - P (Notaus)	Cabel: N - Transformator - P (emergency stop)	PBOTxxQ	
	879082	0G6862	Kabel: Klemmen - Wendeschütz	Cabel: Terminal - thermal overload relay	PBOTxxQ	
	879064	0G5953	Kabel Rührwerk	Cabel stirrer	PBOTxxQ	
	87.7134		EMV Kabelverschraubung M25	EMV Cable gland M25	PBOTxxV	
	87.7147		Kabelverschraubung M16	Cable gland M16	PBOTxxV	
	879228		Kabel: Rührwerk variabel	Cable: Stirrer variable	PBOTxxV	
	879231	0G8000	Frequenzumformer 4kW	Frequency converter 4kW	PBOTxxV	
	879229.02	0G7998	Kabel: Inverter-Motor variabel 4mm ²	Cable: Inverter-Motor variabel 4mm ²	PBOTxxV	
	879230.02		Kabel: Motorschutzschalter variabel 4mm ²	Cable: Motor circuit breaker variable 4mm ²	PBOTxxV	
	879236	0G7999	Kabel: Thermoelement Motor	Cable: Thermocouple Motoer	PBOTxxV	
25	75.2010.20	0G7080	Reihenklemme grau	Terminal block grey		9061...
26	75.2010.21	0G3489	Nullleiterklemme blau	Neutral wire terminal blue		9061...
27	75.2011.01	0KT730	Schutzleiterklemme G/G	Ground conductor terminal G/G		9061...
	1 115 1783	0G6228	Filter FN2060	Filter FN2060		9061...



17	Alias	Code	Bezeichnung	Description	Ref.	Valid from Serial N°
	879140.01	0G6367	Kippsteuerung kompl. 230-240V	Titling control assembled 230-240V		3401...
	879140.06	0G6864	Kippsteuerung kompl. 440V	Titling control assembled 440V	Marine 400/440V	5011...
	76.9000.01.KD	0G6016	Kippsteuerung kompl. xxT94	Tilting kontrol xxT94		
1	879116	0G6266	Kippsteuerung 7CA24VE1 SIR	Titling control 7CA24VE1 SIR		3401...
2	75.5000.05	0G4212	Distanzhalter	Spacer		
3	879133	*	Halter Kippsteuerung	Support tilting control		3401...
4	1 701 2567	0KE185	Sechskantschraube M5x20	Hex bolt M5x20		
5	1 701 7002	0G2923	Fächerscheibe M5	Fan washer M5		
6	1 701 3008	0G6111	Sechskantmutter M5x0.8D	Hex nut M5x0.8D		
7	879121	0G6273	Transformator 230V AC	Transformer 230V AC		
	879143	0G6865	Transformator 440V AC	Transformer 440V AC	Marine 400/440V	
8	1 701 3502	0G3595	Unterlegscheibe M4	Washer		
9	1 701 5002	0KL273	Federring M4	Spring washer		
10	1 701 2023	0G6863	Zylinderschraube M4x12	Allen screw		
11	1 115 1783	0G6228	EMV Filter	EMC filter		
	879182	0G6866	Kabel: Trafo - Steuerelektronik (Filter)	Cable: tranformer - tilt control (with EMC filter)		
	879119	0G6391	Kabel: Trafo - Steuerelektronik (ohne Filter)	Cable: tranformer - tilt control (without EMC filter)	Marine 440/440V	
	76.9123	0G5919	Kabel: Thermoelement - Motor	Cable: Thermocouple - motor		
	879089	0G5932	Kabel: X2 - Kippung	Cabel: X2 - tilting		
	879083.01	0G5931	Kabel: X0 - X1 Hauptzuleitung	Cabel: X0 - X1 mains connection		