

# PROTHERMETIC

**DE  
EN**

**PUET-E/K  
PUET-E/K**

KIPP-DRUCKGARBRAISIÈRE ELEKTRISCH, RECHTECKIG  
TILTING PRESSURE BRAISING PAN, ELECTRIC, RECTANGULAR

Page	Baugruppe	Assembly group	Models
2	Druckdeckel	Pressure Lid	PUET-E/K
5	Füße	Feet	PUET-E/K
6	Deckelverschluss	Lid lock	PUET-E/K
8	Deckelbefestigung	Lid support	PUET-E/K
9	Auslaufhahn	Drain Tap	PUET-E/K
10	Achse	Shaft	PUET-E/K
12	Kippfront	Titing panel	PUET-E/K
13	Kippung	Tilting system	PUET-E/K
14	Steuerfront	Control panel	PUET-E/K
16	Steuerung	Contropl system	PUET-E/K
18	Steuerung Kippmotor	Tilting control	PUET-E/K
20	Tiegel	Pan	PUET-E/K
22	Dampfkondensation	Steam condensation	PUET-E/K
24	Mischbatterie KWC	Mixer tap KWC	PUET-E/K
26	Spraygun	Spray gun	PUET-E/K
28	Wasser Füll Automat	Automatic Water Filling	PUET-E/K
30	Mikroendschalter und Begrenzer	Micro switch and Liniter	PUET-E/K

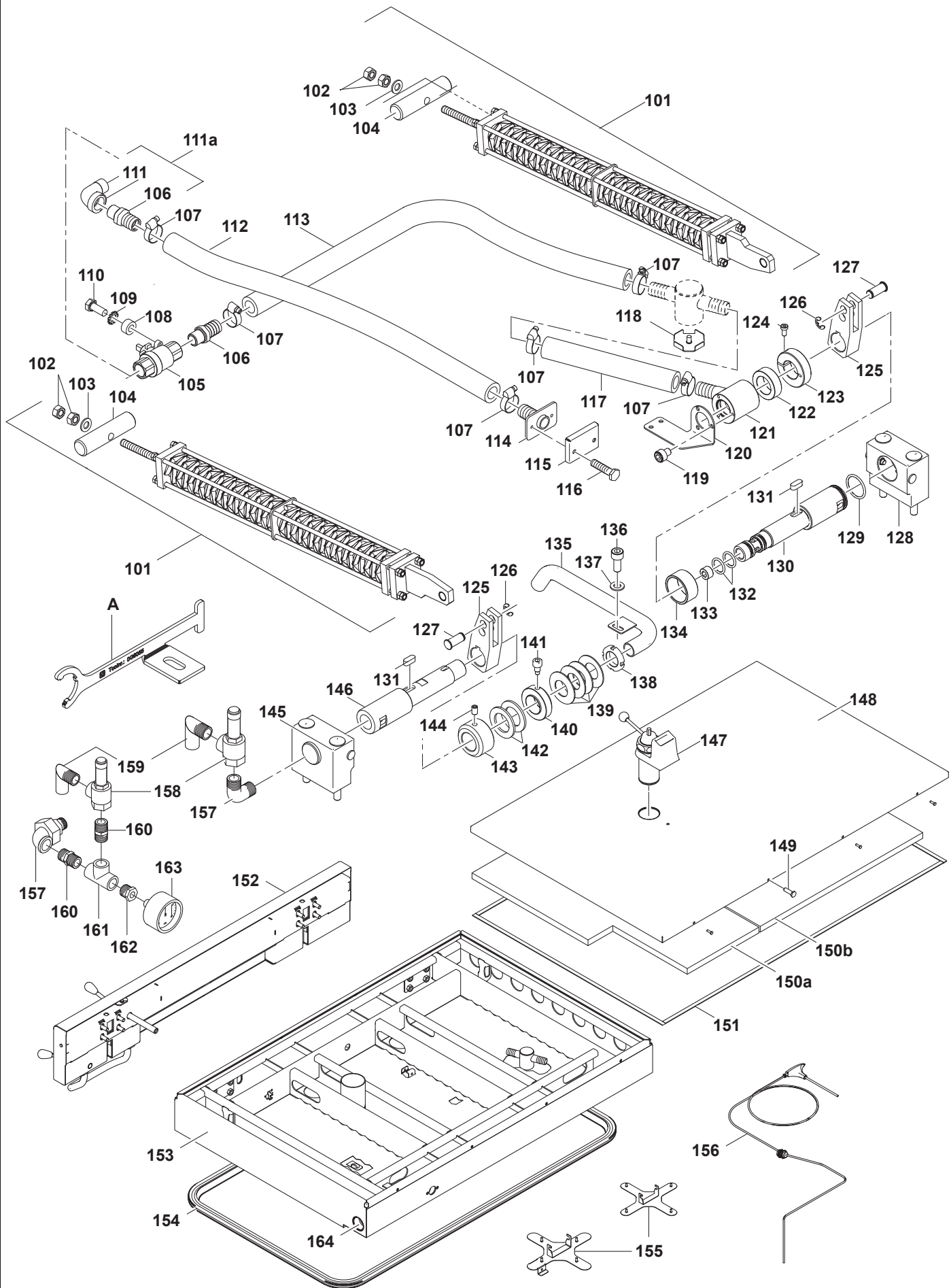
Valid from Ser. № 6351 . . . .

**Last Updates**

**Page**

**Pos.**

01/2015	all	
04/2016	all	
08/2016	6/7	
12/2016	2/3	
02/2017	3/9/13	
11/2017	13	815
04/2018	7	316
01/2019	12 / 27	709/from 1506 to 1513, 1519
02/2019	16 / 17	1002 / 1036, 1037, 1038
03/2019	4	56
04/2019	23 / 25	25 / 19
06/2019	15	10
07/2019	4	164
08/2019	3	101
11/2019	25 / 27	1418 / 1502
04/2021	16	1002
10/2021	4	154
10/2021	19	Titling control assembled
10/2022	28 / 29	Added WFA



1	Alias	Code	Bezeichnung	Description	Ref.	Valid from Serial N°
A	87.0047	OG6055	SV-und Bremseinstellschlüssel	Slotted nut wrench		
101	87.5210_KD	OG6432	Federpaket kpl.	Spring kit	100L/170L	
101	76.3328	OG3937	Federpaket kpl.	Spring kit	60L/90L	
102	1 701 3027	OT1781	Mutter M10	Nut M10		
103	1 701 3542	OG7245	Unterlegscheibe M10	Washer M10		
104	86.5354	OG7246	Gelenkwelle	Joint shaft		
105	86.5409	OG7247	Kugelhahn 1/2 Kohler R-621	Ball valve 1/2 Kohler R-621		
106	1 116 1212	OG7249	Schlauchnippel R-144 1/2"-20mm	Hose nipple R-144 1/2"-20mm		
107	1 103 1170	OK4550	Schlauchklemme Gr. 1	Hose clamp		
108	1 701 1142	OG7250	Distanzhülse	Spacer		
109	1 701 7002	OG2923	Fächerscheibe M5	Fan waher M5		
110	1 701 2509	OK4598	Schraube 6kt M5 x 12	Hex bolt M5x12		
111	1 101 2162	OG6161	Einschraubwinkel 1/2"	L connector		
111a	87.5151	*	Einschraubwinkel 1/2" mit Schlauchanschluss	L connector with hose nipple		
112	1 701 1140.04	OG7251	Dampfschlauch	Steam hose	60L/90L	
112	1 701 1140.07	OG7252	Dampfschlauch	Steam hose	100L/170L	
113	1 701 1140.03	OG7253	Dampfschlauch	Steam hose	60L/90L	
113	1 701 1140.06	OG7254	Dampfschaluch	Steam hose	100L/170L	
114	86.5416	OG7255	Stutzen	T joint with hose nipple		
115	86.5417	OG7256	Ableitkappe	Derivation cover		
116	75.5006.01	OG5143	Schraube 6kt M5 x 20 USPH	Hex bolt M5x20 USPH		
117	1 701 1140.01	OG6811	Dampfschlauch Ø19 x Ø31 x 205	Steam hose Ø19 x Ø31 x 205		
118	86.5332	OG6431	Schikane	Baffle		
119	1 101 8199	OG7257	Schraube Zyl. I-6kt M5 x 6	Allen screw M5 x 6		
120	87.5080		Supportplatte - Dampfkupplung	Support - steam coupling		
120	86.5352	OG7258	Supportplatte - Dampfkupplung	Support - steam coupling		3141...
121	86.5349	OG7259	Dampfkupplung	Steam coupling		
122	86.5351	OG7260	Unterlage links	Spacer lrft		
123	1 201 2187	OG7261	Geschlitzte Stellringe	Adjustment ring		
124	1 101 8161	OG5812	Schraube I-6kt M6x12	Allen screw M6x12		
125	86.5364	OG6291	Federhebel	Spring support		
126	1 701 2775	OG6243	Sicherungsscheibe d=10...14mm	Locking washer		
127	76.3264	OG7262	Lagerbolzen	Bearing pin		
128	87.5018	OG7789	Lagerklotz links	Bearing support, left		
128	87.5161.04	*	Lagerklotz links mit Sicherheitsventil UL	Bearing support, left with safety valve	UL	
129	1 201 2191	OG6731	O-Ring Ø3.5 x Ø32.00 / Ø38.00	O-ring Ø3.5 x Ø32.00 / Ø38.00		
130	86.5360	OG7263	Lagerwelle links	Bearing shaft left		
131	1 701 7099	OG5985	Keil Feder. 8 x 7 x 20 Typ A	Feather key 8 x 7 x 20 Typ A		
132	1 201 2193	OG7264	O-Ring Ø3.00 x Ø19.00 / Ø25.00	O-ring Ø3.00 x Ø19.00 / Ø25.00		
133	1 101 3903	OG7265	Verschlussschraube SO 40371-3/8"	Locking screw SO 40371-3/8"		
134	86.5350	OG7266	Unterlage rechts	Spacer right		
135	86.5451	OG7267	Rohr für Sensorkabel kpl.	Pipe for sensor cable		
136	1 101 8123	OG3849	Schraube I 6kt M5 x 12	Allen screw M5 x 12		
137	1 701 3535	OG3588	Unterlegscheibe M5	Washer M5		
138	1 701 1133	OG6290	Nutmutter M25x1.5 / Ø38	Slotted nut		
139	1 201 2104	OG6289	Tellerfeder	Belleville spring		
140	86.5347	OG6288	Unterlage rechts - Reibbelagring	Spacer right - Friction disc		
141	86.5368	OG6292	Schraube I 6kt M8 x 16 bearbeitet	Allen screw M8 x 16 reworked		
142	1 701 2772	OG6286	Reibbelagring	Friction disc		
143	86.5346	OG6287	Unterlage links - Reibbelagring	Spacer left - Friction disc		
144	1 701 7094	OG4248	Gew.-Stift I6kt M8 x 12	Allen set screw M8 x 12		
145	87.5019	OG7790	Lagerklotz rechts	Bearing support, right		
146	86.5361	OG7268	Lagerwelle rechts	Bearing shaft right		
147	86.5150	OG5442	Deckelventil kpl. DV3	Lid valve		
148	87.5013.01	*	Verschalung Druckdeckel Oben	Cover pressure lid	60L/90L	
148	87.5013.02	OG7602	Verschalung Druckdeckel Oben	Cover pressure lid	100L/170L	
149	75.5006.06	OG5515	Schraube 6kt M5 x 16 USPH	Hex bolt M5 x 16 USPH		
150	87.5104.01	OG7269	Isolation	Insulation		
150b	87.5104.02	OG7270	Isolation	Insulation	100L/170L	

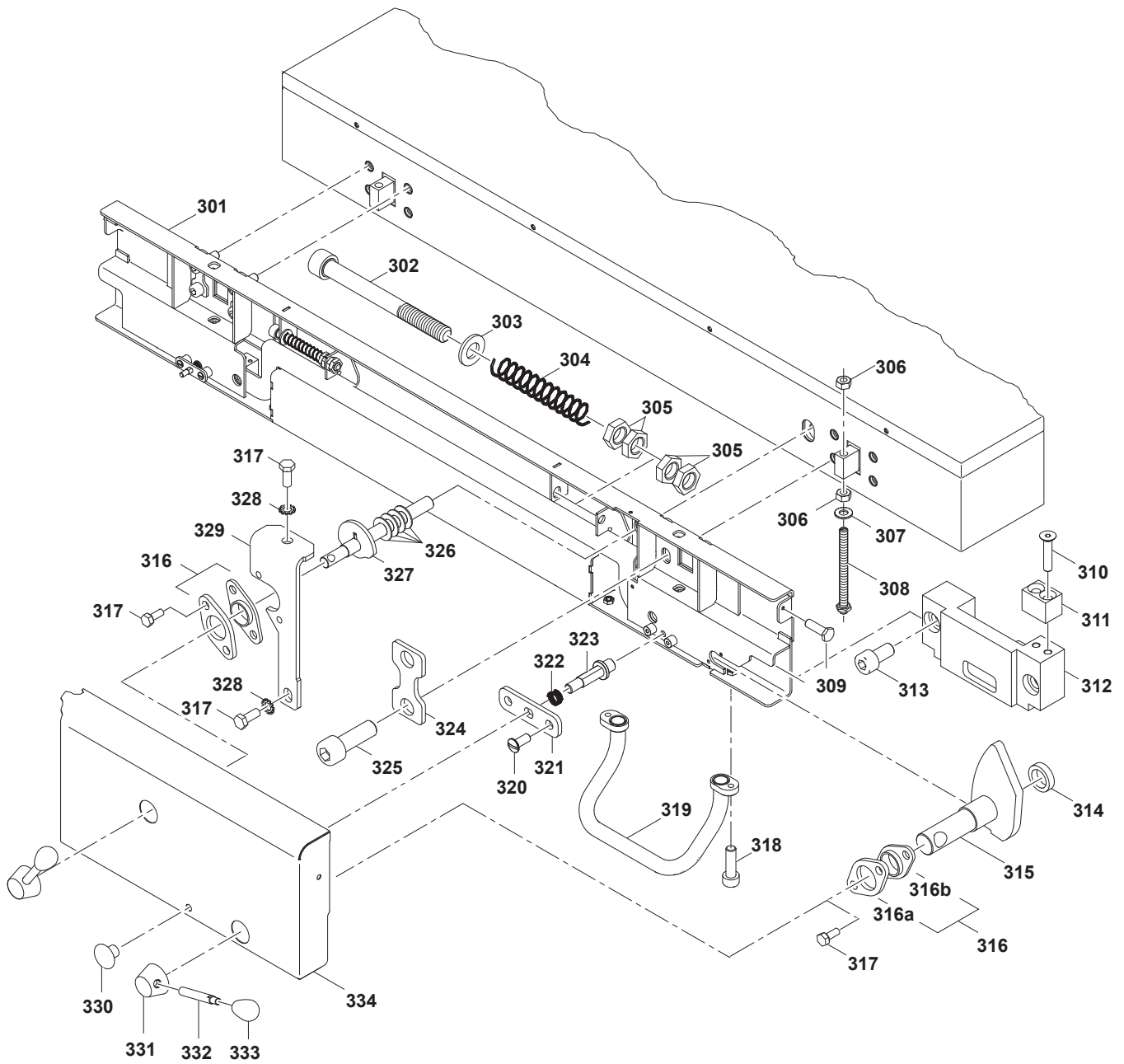
\* Components on demand  
\* Teile auf Anfrage

Doc. № 599A2BA00 / 87.8030.02

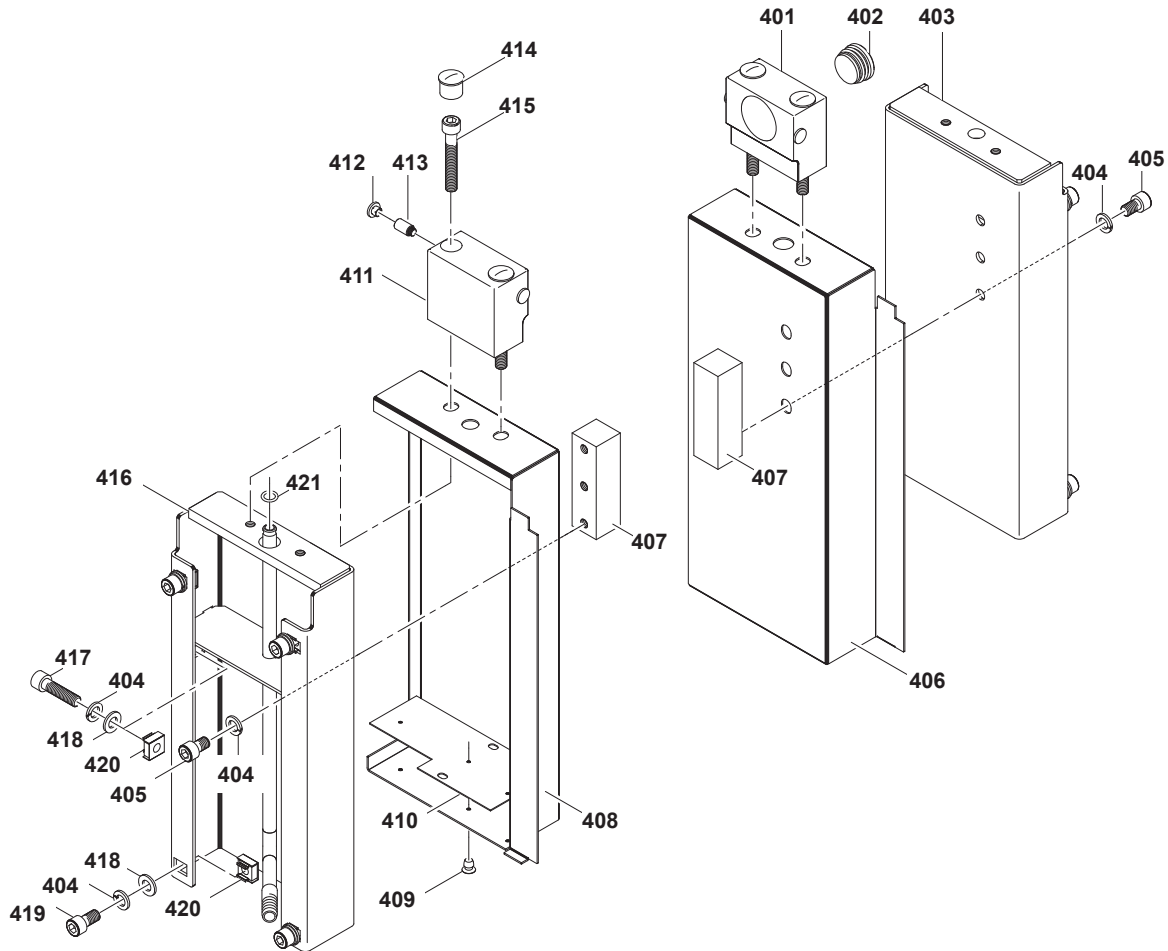
Page: 3







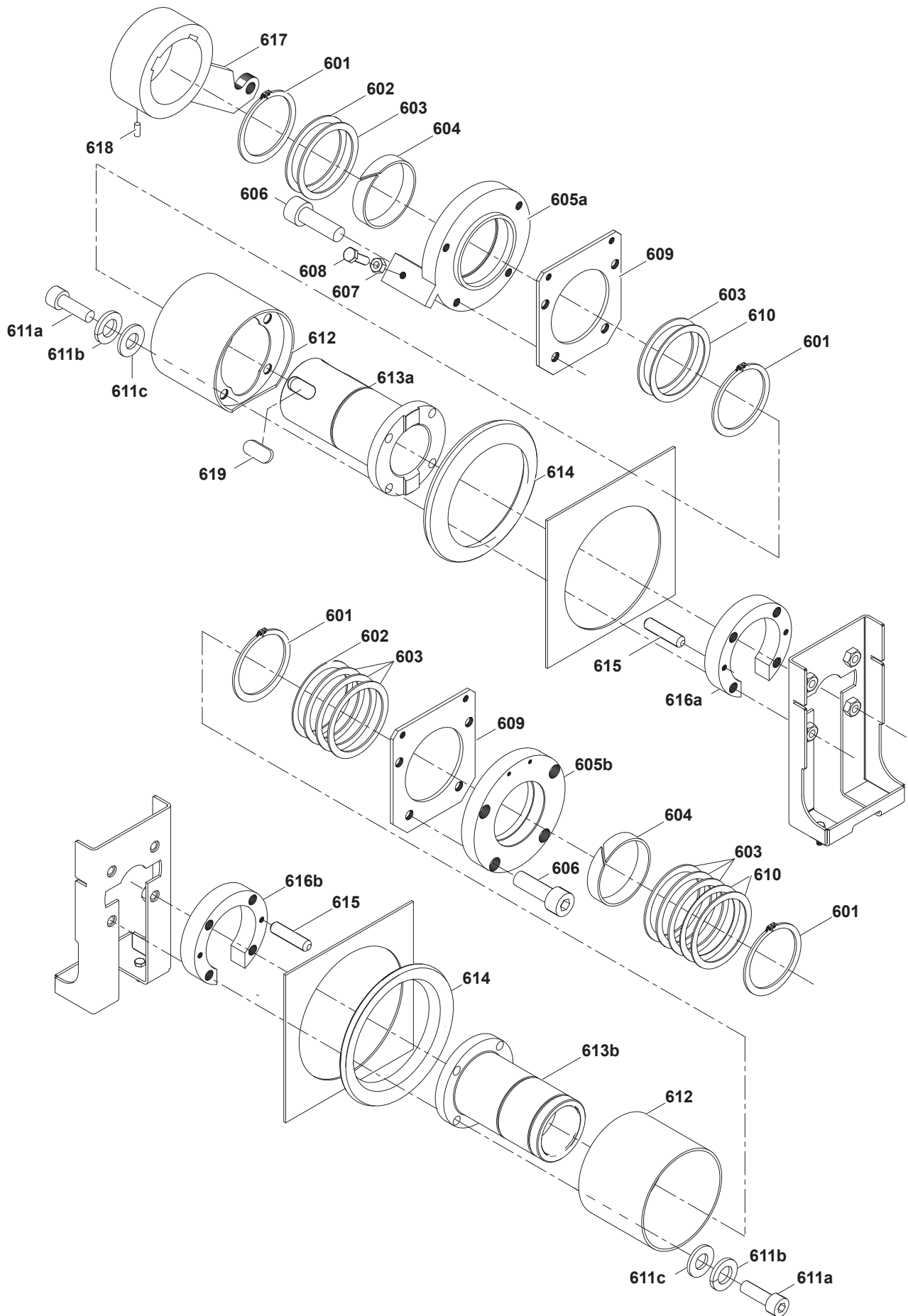
<b>3</b>	Alias	Code	Bezeichnung	Description	Ref.	Valid from Serial N°
301	86.5402.03	*	Support Verschluss	Support closure	60L/90L	
301	86.5402.04	*	Support Verschluss	Support closure	100L/170L	
302	1 701 2086	*	Schraube Zyl. I-6kt M10x100	Allen screw M10x100		
303	1 701 3516	0T5917	U-Scheibe ø10.5 x ø20 x 2	Washer ø10.5 x ø20 x 2		
304	86.5189	0G5431	Druckfeder 58/4/4	Compression spring 58/4/4		
305	1 701 3055	*	Mutter 6kt M10 x 0,5D	Hex nut M10 x 0,5D		
306	1 701 3044	0K4612	Mutter 6kt M8 x 0.8D	Hex nut M8 x 0.8D		
307	1 701 3516	0T5917	Unterlegscheibe M8			
308	87.5108	0G7126	Gewindestift mit Mutter	Threaded pit with nut		
309	75.5006.06	0G5515	Schraube 6kt M5 x 16 USPH	Hex bolt M5 x 16 USPH		
310	1 701 1072	0G6833	Schraube Senk M5 x 25	Countersunk screw M5 x 25		
311	86.5187	0G5429	Bronze - Klotz	Bronze - block		
312	87.5042	*	Riegel	Locking		
313	1 701 2083	0G5437	Schraube I-6kt M8 x 16	Allen screw M8 x 16		
314	86.5389	0G6387	Gleitlager Schließer	Sliding bearing		
315	86.5168	0G6637	Schließer	Lid locking		
316	86.5172	0G5317	Lager - Schließer	Bearing for locking		until 7521...
316a	86.5318	0G8107	Distanzstück	Spacer		8011...
316b	86.5317	0G7817	Flanschlager GFL-14	Bearing GFL-14		8011...
317	1 701 2507	0G4653	Schraube 6kt M5 x 10	Hex bolt M5 x 10		
318	1 101 8040	0K4493	Schraube I-6kt M6 x 20	Allen screw M6 x 20		
319	86.5093	0G5443	Bügelgriff	Handle		
320	10 3179	0G4216	Flackkopf-Sch. M5x12	Fat head screw M5x12		
321	86.5190	0G5293	Lagerplatte	Bearing plate		
322	86.5192	0G6577	Druckfeder 51/6/1	Compression spring 51/6/1		
323	86.5191	0G5432	Achse	Axis		
324	86.2611	0G7384	U-Scheibe spez. TUET-DD	Special washer TUET-DD		
325	1 101 8134	0G6087	Schraube I-6kt M10 x 30	Allen screw M10 x 30		
326	74.0148	0G3733	Scheibe 16 x 30 x 1,5	Washer 16 x 30 x 1,5		
327	86.5411	0G6409	Welle Sicherheitsventil	Shaft		
328	1 701 7002	0G2923	Fächerscheibe M5	Fan washer M5		
329	86.5412	*	Gleitlagersupport	Sliding bearing support		
330	1 701 2810	0G5294	Griff I.150/30-M6	Handle 150/30-M6		
331	86.5120	0G5297	Griffnabe	Handle hub		
332	86.5119	0G5298	Griffbolzen	Handle bolt		
333	1 701 2811	0G5299	Griff I.122/40-M8	Handle 122/40-M8		
334	86.5403.03	*	Front Verschluss	Front closure	60L/90L	
334	86.5403.04	0G6485	Front Verschluss	Front closure	100L/170L	



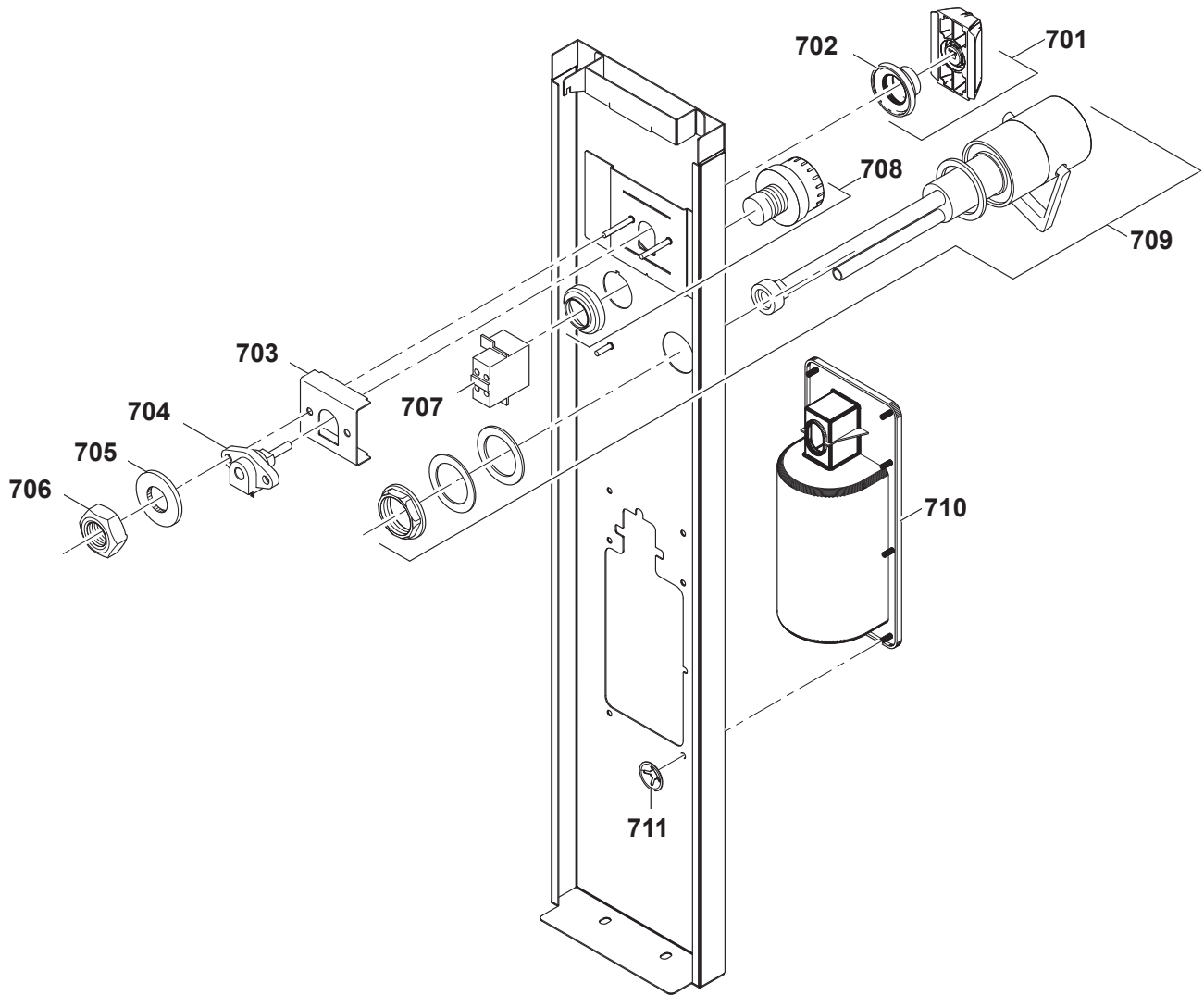
4	Alias	Code	Bezeichnung	Description	Ref.	Valid from Serial N°
401	87.5019	OG7790	Lagerklotz rechts	Bearing support, right		
402	1 201 2175	OG6285	Stopfen ø30 Ø32	Stopper ø30 Ø32		
403	87.5029.03	*	Lagerblech rechts	Support right	60L/90L	
403	87.5029.01	*	Lagerblech rechts	Support right	100L/170L	
404	1 701 5040	OK4616	Federring M10	Spring washer m10		
405	1 101 8125	OK4545	Schraube I-6kt M10x16	Allen screw M10x16		
406	87.5066	*	Verkleidung Lagerblech rechts	Cover right	60L/90L	
406	87.5031	*	Verkleidung Lagerblech rechts	Cover right	100L/170L	
407	87.5033	*	Lager	Support		
408	87.5065	*	Verkleidung Lagerblech links	Cover left	60L/90L	
408	87.5032	*	Verkleidung Lagerblech links	Cover left	100L/170L	
409	1 701 6515	OG7625	Blindniete	Blind rivet		
410	76.1337.01	*	Abdeckblech rechts/links	Cover panel right/left	60L/90L	
410	76.1338.01	*	Abdeckblech rechts/links	Cover panel right/left	100L/170L	
411	87.5018	OG7789	Lagerklotz links	Bearing support, left		
412	87.5119	OG6293	Verschlussstopfen	Stopper		
413	87.5143	*	Gew.-Stift I6kt mit Zapfen M10x16	Allen set screw with dog point M10x16		
414	70.0395	OK5236	Rohrabschlusskappe 22x1.5	End cap 22x1.5		
415	1 101 8183	OG4249	Schraube I-6kt M10x65	Allen screw M10x65		
416	87.5029.04	*	Lagerblech links	Support left	60L/90L	
416	87.5029.02	*	Lagerblech links	Support left	100L/170L	
417	1 101 8146	OK4497	Schraube I-6kt M10x40	Allen screw M10x40		
418	1 701 3516	OT5917	Unterlegscheibe M10	Washer M10		
419	1 101 8130	OG5493	Schraube I-6kt M10x20	Allen screw M10x20		
420	1 701 1067	OG7127	Käfigmutter M10	Cage nut		
421	87.5120	OG6732	O-Ring	O-Ring		
421	76.3617	OG6114	Dichtschmierstoff	Lubricant		



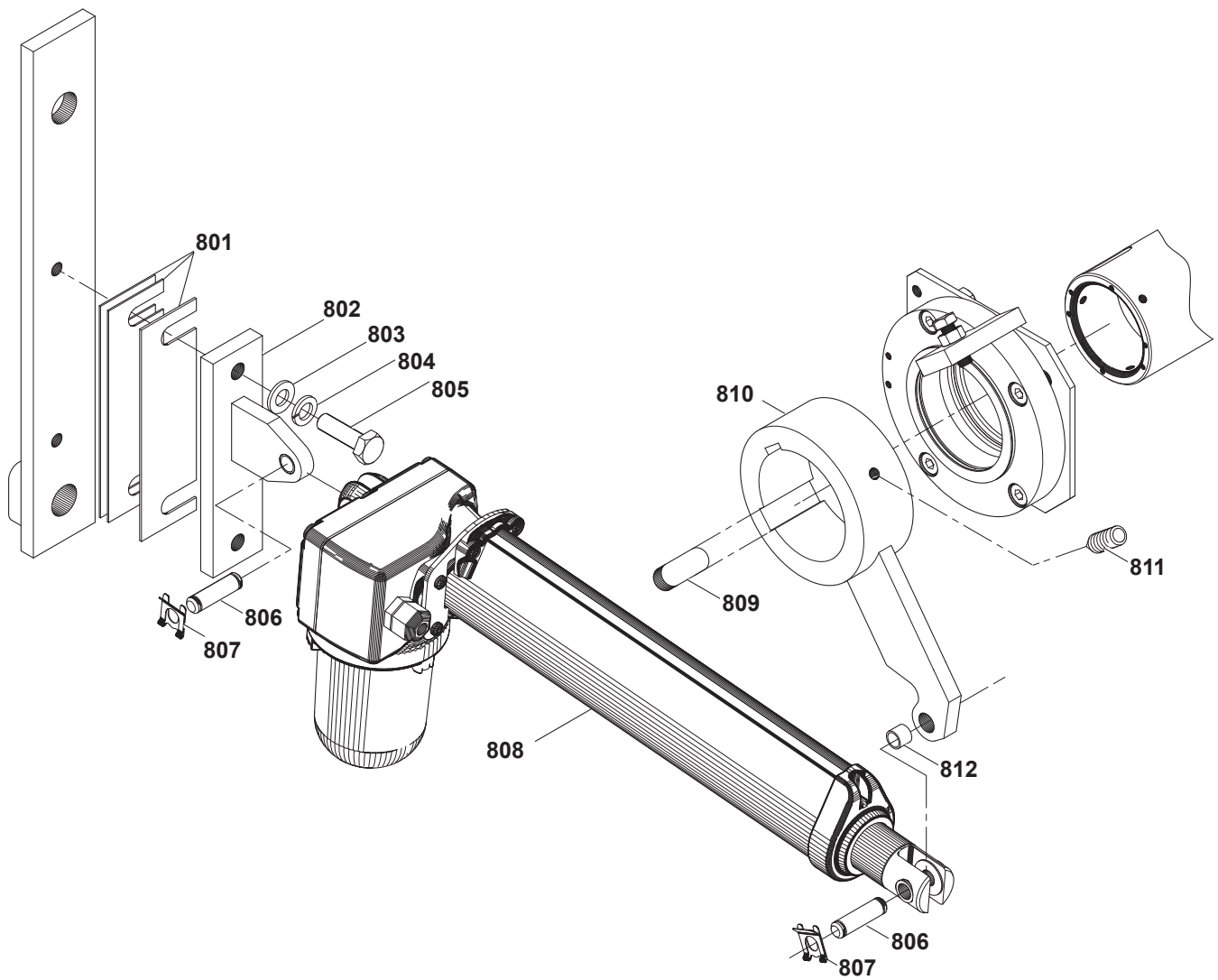






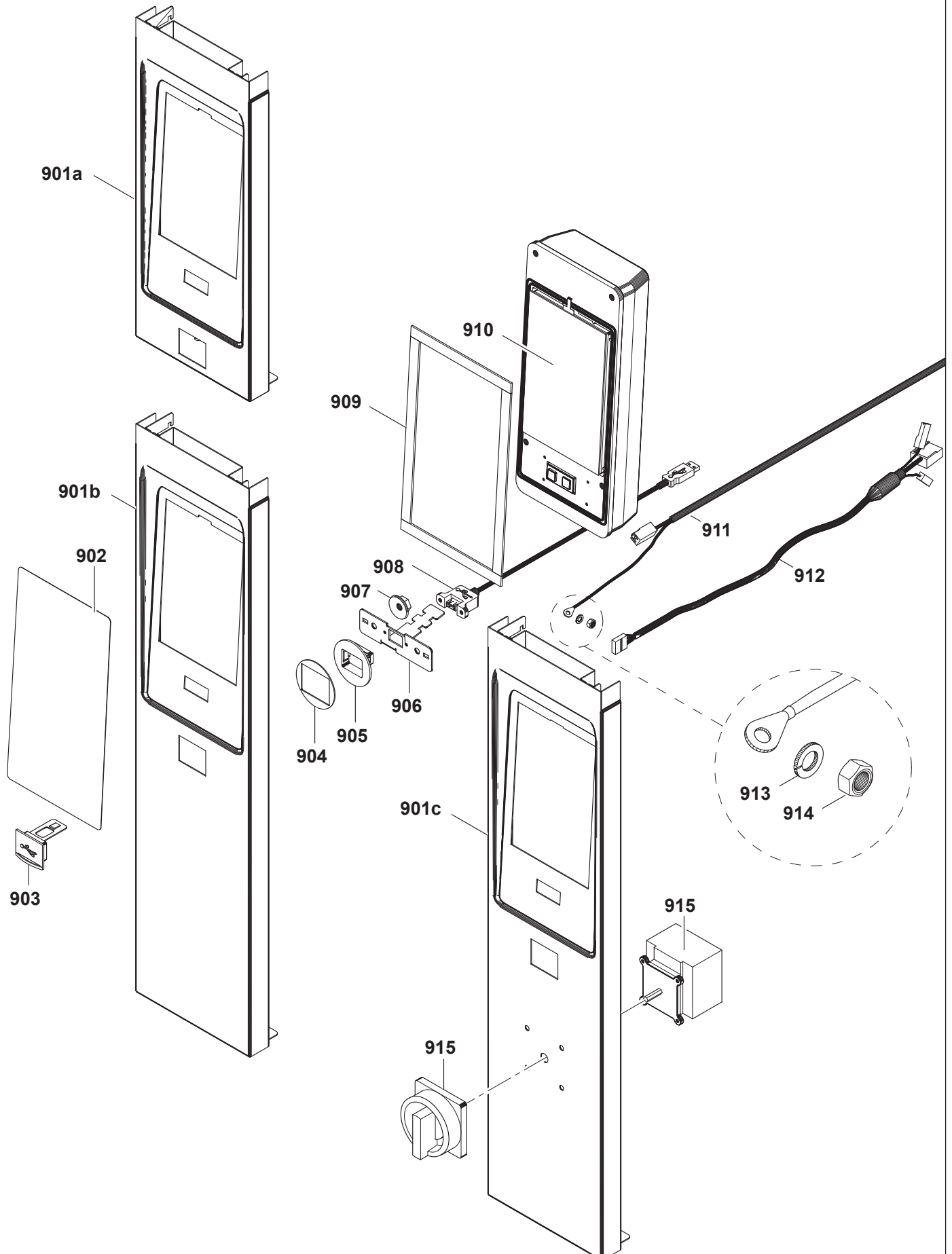


7	Alias	Code	Bezeichnung	Description	Ref.	Valid from Serial N°
701	87.7072_0.KD	0G6644	Drehgriff komplett	Handle with adapter and sealing		3401...
702	82.7009	0G6247	Dichtung Drehgriff	Sealing handle		3401...
702	76.9673	0G3648	Griff zu Einbaukipfung	Handle for tilting system		2071...
703	87.1363	0G7236	Abstandsblech	Spacer		3401...
704	87.9118	0G6267	Kipppotentiometer 7POT5KEO	Tilting potentiometer 7POT5KEO		3401...
704	76.9363	0K1513	Schalter mit Potentiometer	Switch and potentiometer		2071...
705	1 701 3502	0G3595	Unterlegscheibe Ø4,3 x Ø9,0 x 0,8	Wascher Ø4,3 x Ø9,0 x 0,8		3401...
706	1 701 3004	0K4606	Sechskantmutter M4x0.8	Hex nut M4x0.8		3401...
706	712 044120.04	0G4918	Keps-Mutter M4	Keps nut M4		2071...
707	76.9108.02	0K5160	Kontaktgeber Notaus	Terminal emergency stop		
708	76.9075.03	0KX129	Notausschlater	Emergency stop botton		
709	86.7120	0G6839	Einhebelmischer	One-lever mixer tap		until 9051...
710	86.7124	0G7860	Frontblende Spray Gun	Front panel spray gun		
711	1 701 5083	0G6850	Quicklock-Scheibe	Quicklock fixing washer		

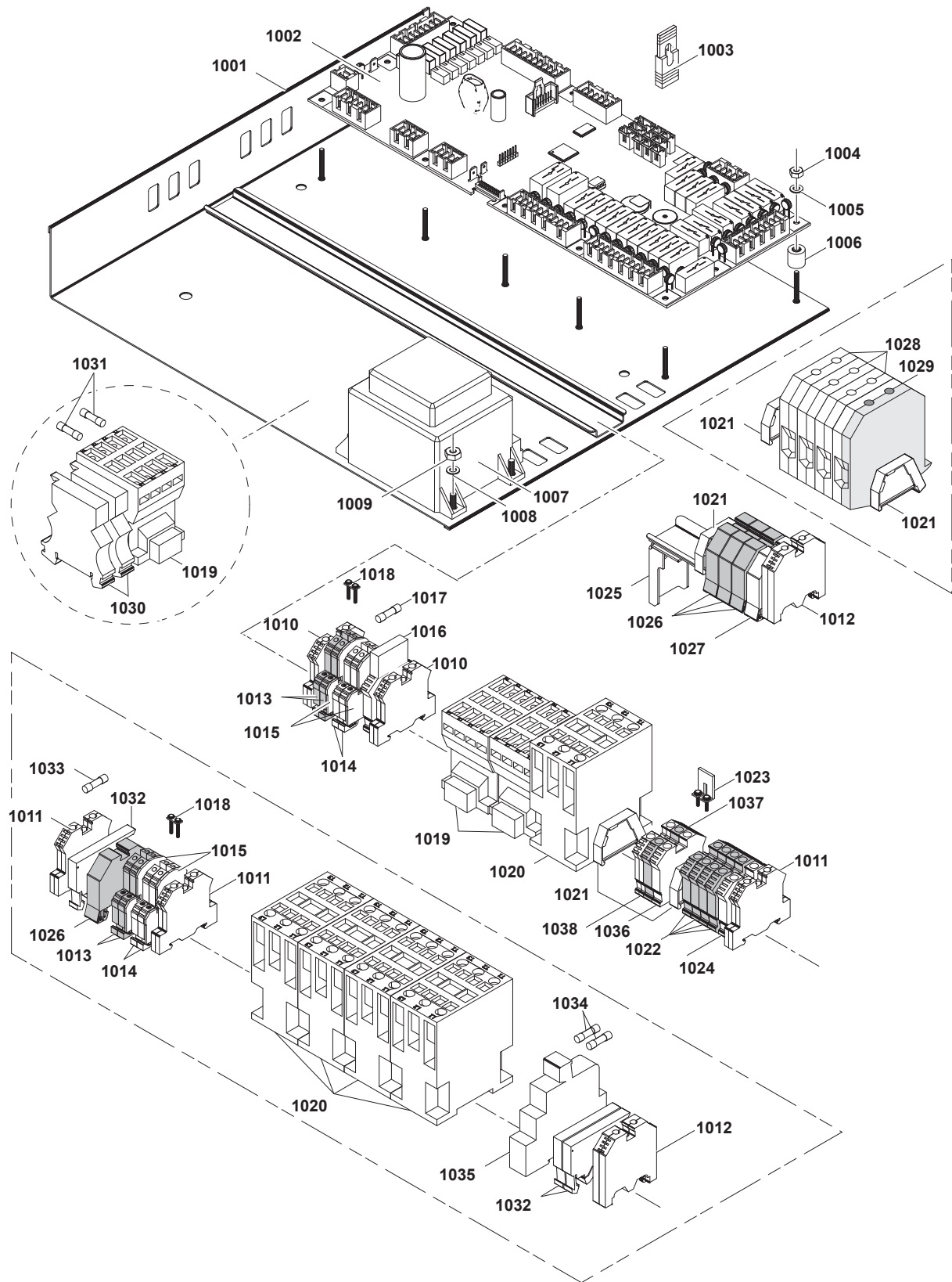


8	Alias	Code	Bezeichnung	Description	Ref.	Valid from Serial N°
801	76.0066.01	OK5492	Zwischenblech 1mm	Spacer sheet 1mm		
801	76.0066.03	OK5494	Zwischenblech 1,5mm	Spacer sheet 1,5mm		
802	76.0162	OG2930	Motorhalter	Motor support		
803	1 701 3516	OT5917	Unterlegscheibe Ø10.5 x Ø21 x 2	Washer Ø10.5 x Ø21 x 2		
804	1 701 5040	OK4616	Federring M10	Spring washer M10		
805	1 701 2543	OK4601	Sechskantschraube M10x35	Hex bolt M10x35		
806	87.7041	OG6840	Bolzen M10x30	Pin M10x30		4141...
806	76.0074.xx	OK5500	Bolzen M10x29	Pin M10x29		3401...
807	1 201 1927	OK5499	Federklammer Ø10	Spring clip Ø10		
808	87.9113	OG6269	Kippmotor SIR 3000N lang 6814421	Tilting motor SIR 3000N long 6814421	60-90L/D900	4141...
808	87.9112	OG6268	Kippmotor SIR 6000N lang 6814420	Tilting motor SIR 6000N long 6814420	100-170L/D900	4141...
808	87.9115	OG6271	Kippmotor SIR 3000N kurz 6814423	Tilting motor SIR 3000N short 6814423	60-90L/D800/850	4141...
808	87.9114	OG6270	Kippmotor SIR 6000N kurz 6814422	Tilting motor SIR 6000N short 6814422	100-170L/D800/850	3461...
808	76.3090	OK4753	Kippmotor 3000N lang	Tilting motor 3000N long	60-90L/D900	3401...
808	76.3091	OK4754	Kippmotor 8000N lang	Tilting motor 8000N long	100-170L/D900	3401...
808	76.3093	OKT713	Kippmotor 3000N kurz	Tilting motor 3000N short	60-90L/D800/850	3401...
808	76.3115	OKV630	Kippmotor 8000N kurz	Tilting motor 8000N short	100-170L/D800/850	3401...
809	1 201 1907	OKT929	Passfeder 14x9x36	Feather key 14x9x36		
810	76.2027.01	OG7635	Kipphebel	Rocker arm	Depth 900	
810	76.2027.02	*	Kipphebel	Rocker arm	Depth 800/850	
811	1 701 7094	OG4248	Gewindestift m. Innensechskant M8x12	Allen set screw M8x12		
812	76.4115	OK5498	Lager GLEIT-PERMAGLIDE	Fiberglide		

\* Components on demand  
\* Teile auf Anfrage



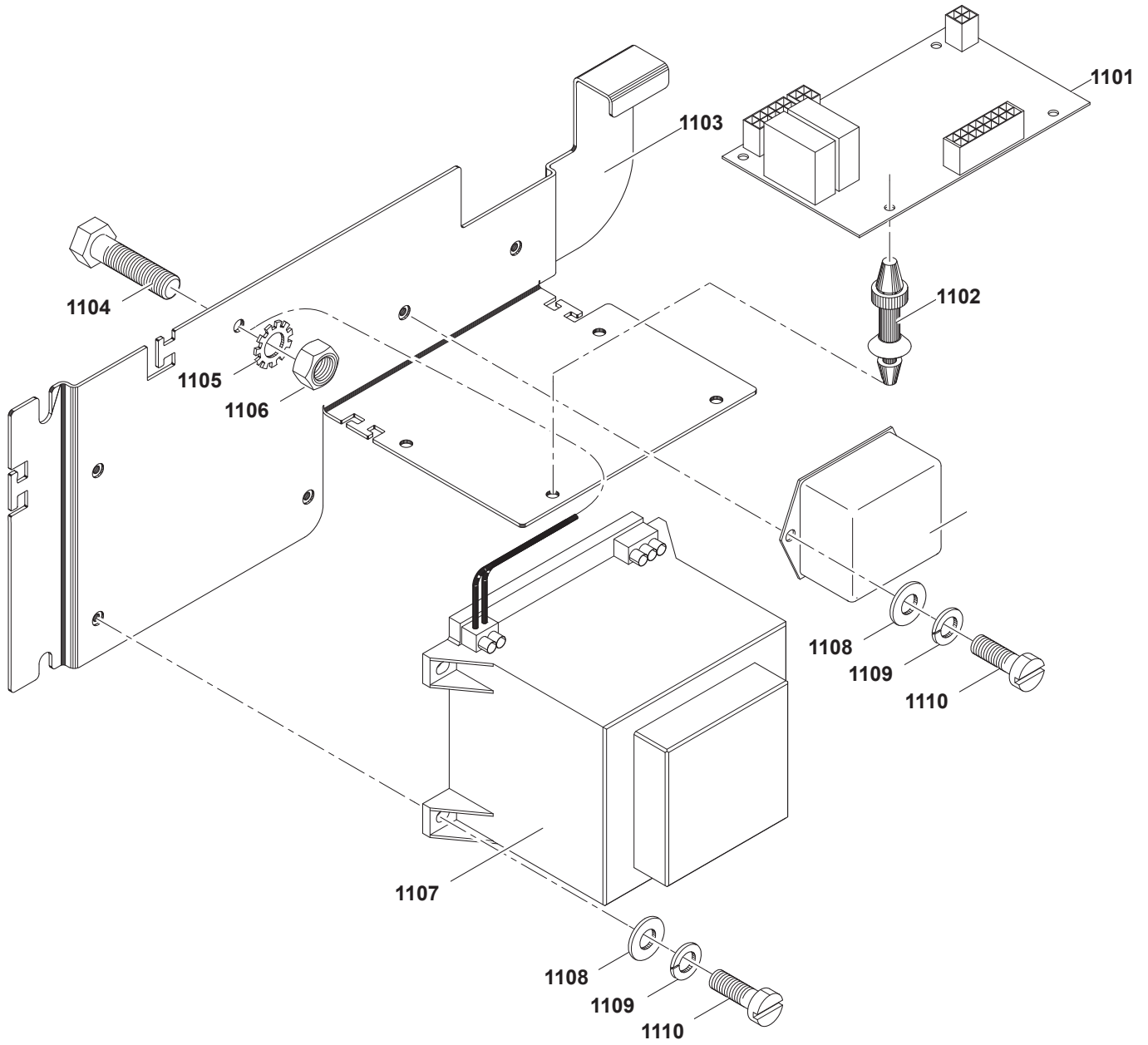
9	Alias	Code	Bezeichnung	Description	Ref.	Valid from Serial N°
901a	87.1013.03	0G7714	Steuerfront	UI panel	400H 800/850/900 depth	
901b	87.1013.01	*	Steuerfront	UI panel	700H 800/850/900 depth	
901b	87.1013.02	*	Steuerfront	UI panel	800H 800/850/900 depth	
901b	87.1013.15	*	Steuerfront D100mm	UI panel D100mm	400H 900 depth (1000 depth)	
901b	87.1013.16	*	Steuerfront D100mm	UI panel D100mm	700H 900 depth (1000 depth)	
901b	87.1013.17	*	Steuerfront D100mm	UI panel D100mm	800H 900 depth (1000 depth)	
901c	87.1013.01+87.1310	*	Steuerfront mit Hauptschalter	UI panel with main switch	700H 800/850/900 depth	
901c	87.1013.02+87.1311	*	Steuerfront mit Hauptschalter	UI panel with main switch	800H 800/850/900 depth	
902	87.1008	0G6081	Folie	Foil		
903	87.9004	0C6546	Abdeckkappe zu USB	USB cover		
904	87.9005	0G7687	Dichtung zu USB	USB sealing		
905	87.9003	0C6547	Halter zu USB	USB support		
906	87.1014	0G7715	Blech zu USB	USB fixation sheet		
907	712 044120.04	0G4918	Kepsmutter M4	Keps nut M4		
908	87.9030	0C6566	Kabel COPUI40-USB	Cable COPUI40-USB		
909	87.7117		Dichtung Steuerung	Sealing user interface		
910	87.9043_0	0G5909	Steuerung komplett	User interface assembled		until 9171...
910	87.9043_1	0G6990	Steuerung komplett	User interface assembled		from 5181... until 9171...
910	87.9242	0G8585	Steuerung komplett COPUI70	User interface COPUI70 assembled		9181...
911	87.9010	0G5956	Kabel Klemmen-COPUI40S	Cable terminal-COPUI40S		
911	87.9158	0G7129	Kabel UL Klemme-COPUI40S	Cable UL terminal-COPUI40S	*UL	
911	87.9222		Kabel Klemmen-COPUI40S Marine	Cable terminal-COPUI40S Marine	Marine 400/440V	
912	87.9033	0G5957	Kabel COPUI40-COP20	Cable COPUI40-COP20		
913	1 701 5004	0H9734	Federring M5	Spring washer M5		
914	1 701 3008	0G6111	Sechskantmutter M5	Hex nut M5		
915	76.9164.01	0G2137	Hauptschalter 25A	Main switch 25A	60L/90L	
	76.9149.02		Kabel 5x2.5mm² L=1400	Cable 5x2.5mm² L=1400	60L/90L	until 7441...
	87.9216.01	0G8069	Kabel 5x4mm²	Cable 5x4mm²	60L/90L - 800/850 depth	7451...
	87.9083.02	0G5928	Kabel 4mm²	Cable 4mm²	60L/90L - 900 depth	7451...
	76.9164.02	0K4979	Hauptschalter 63A	Main switch 63A	100L/170L	
	76.9149.06	0G7114	Kabel 5x6mm² L=1400	Cable 5x6mm² L=1400	100L/170L	until 7441...
	87.9216.02	0G8070	Kabel 5x6mm²	Cable 5x6mm²	100L/170L - 800/850 depth	7451...
	87.9083.03	0G5929	Kabel 6mm²	Cable 6mm²	100L/170L - 900 depth	7451...



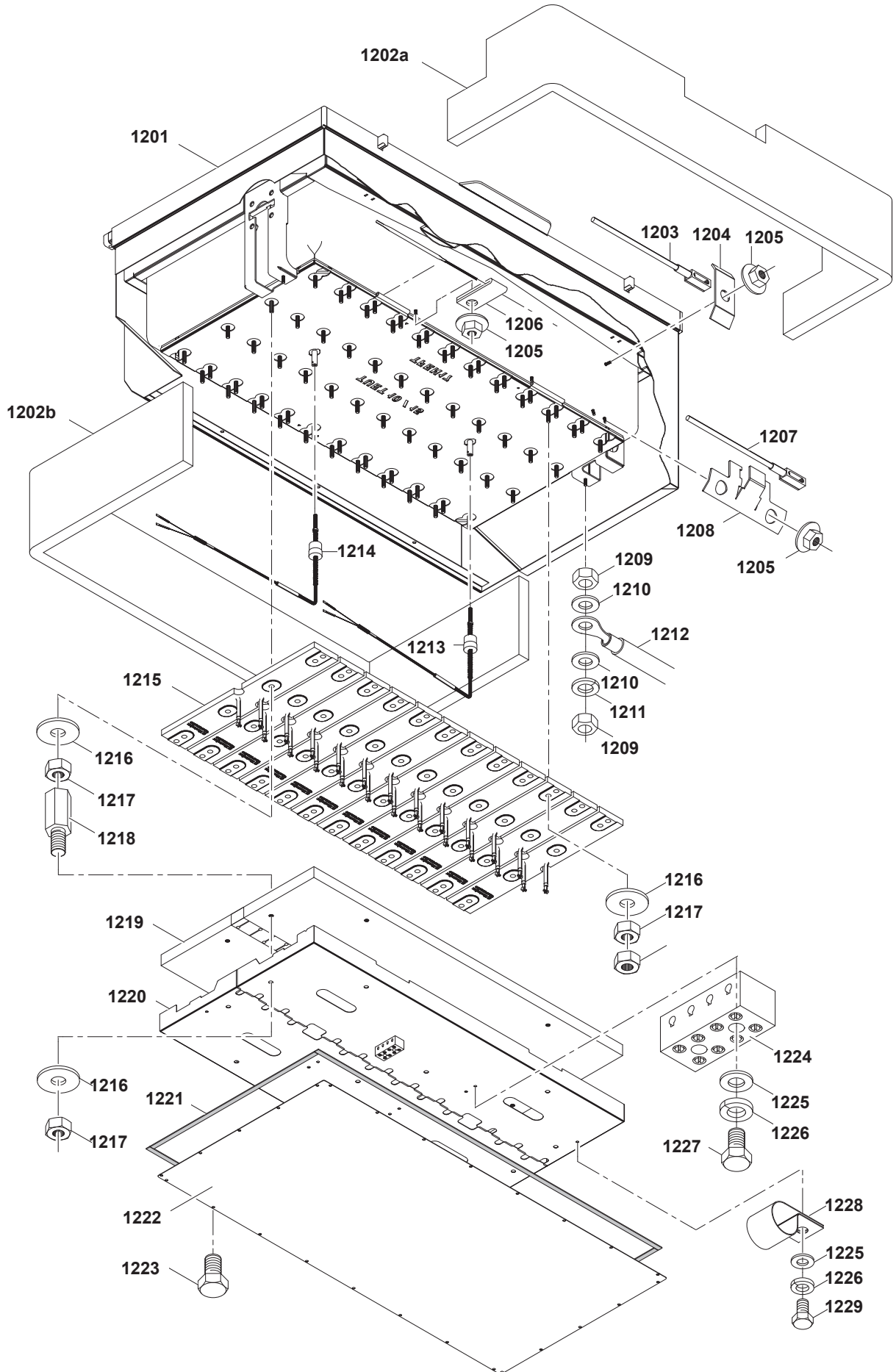
10	Alias	Code	Bezeichnung	Description	Ref.	Valid from Serial N°
1001	87.9188.01	*	Steuerträger standard PxxT	Support frame PxxT	Standard	
1001	87.9188.02	*	Steuerträger UL	Support frame PxxT UL	UL	
1001	87.9188.03	*	Steuerträger Marine	Support frame PxxT Marine	Maine 400/440V	
1002	87.9015	OG5908	Motherboard COP20	Motherboard COP20		until 9051..
1002	87.9241	OG8953	Motherboard COP70	Motherboard COP70		9061..



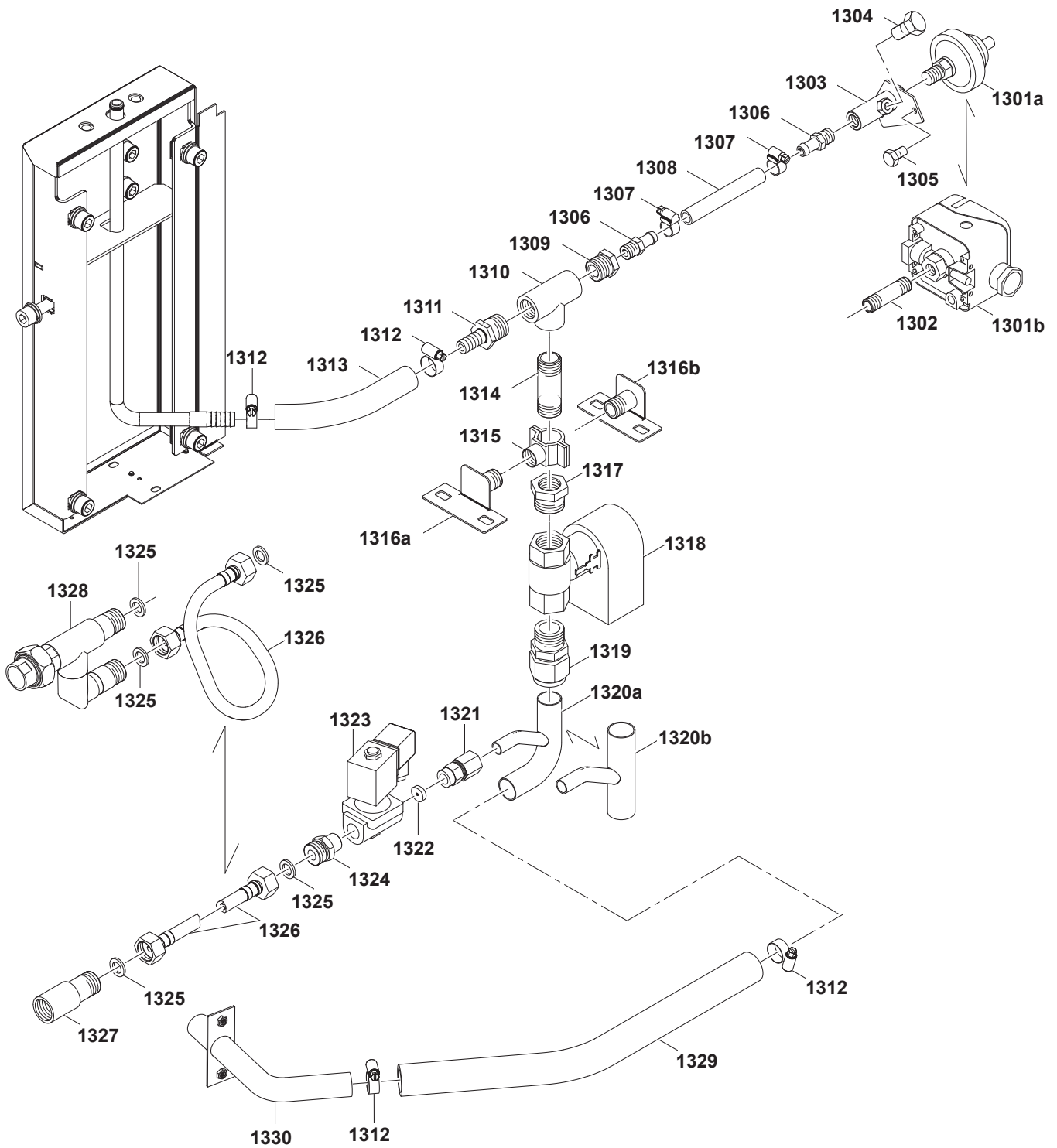
10	Alias	Code	Bezeichnung	Description	Ref.	Valid from Serial N°
1003	87.9191	0G7123	Jumper	Jumper		
1004	1 701 3057	0U0182	Sechskantmutter M3	Hex nut M3		
1005	1 701 3540	0K1478	Unterlegscheibe M3	Washer M3		
1006	76.3011.03	0G3094	Distanzhalter 12mm	Spacer 12mm		
1007	87.9036	0G5910	Transformator PMA 70VA 230V-12/24V	Transformer PMA 70VA 230V-12/24V	Standard	
1007	87.9152	0G6786	Transformator 450VA 208V	Transformer 450VA 208V	UL	
1007	87.9203	0G6879	Transformator 440V 150VA +PTC	Transformer 440V 150VA +PTC	Maine 400/440V	
1008	1 701 3502	0G3595	Unterlegscheibe M4	Washer M4		
1009	1 701 3004	0K4606	Sechskantmutter M4	Hex nut M4		
1010	75.2011.01	0KT730	Schutzleiterklemme 4mm²	Ground conductor terminal 4mm²		
1011	75.2011.02	0KT729	Schutzleiterklemme 10mm²	Ground conductor terminal 10mm²		
1012	75.2011.03	0KX291	Schutzleiterklemme 16mm²	Ground conductor terminal 16mm²		
1013	75.2010.11	0KT733	Nullleiterklemme 4mm² blau	Neutral wire terminal 4mm² blue		
1014	75.2010.10	0KT734	Reihenkleme 4mm² grau	Terminal block 4mm² grey		
1015	75.2010.12	0T2598	Abschlusswand	Cover		
1016	76.9527.01	0G3940	Sicherungsklemme 10mm²	Fuse holder terminal 10mm²		
1016	76.9527.02	0G4585	Abschlusswand zu Sicherungsklemme	Cover for fuse holder terminal		
1017	712 344362.01	0G5814	Sicherung 5x20 1A	Fuse 5x20 1A		
1018	75.2010.14	0G5735	Querverbinder	Cross connection		
1019	1 115 1757	0G4645	Schütz K3-14X027 + K2-E230	Contacteur K3-14X027 + K2-E230		
1020	1 115 1758	0G4646	Schütz K3-24X022	Contacteur K3-24X022		
1021	75.2013	0KX290	Arretierstück	Fixation		
1022	75.2010.30	0KT732	Reihenkleme 10mm² grau	Terminal block 10mm² grey		
1023	75.2010.34	0G3339	Querverbinder	Cross connection		
1024	75.2010.31	0G3495	Nullleiterklemme 10mm² grün	Neutral wire terminal 10mm² green		
1025	76.9011.01	*	Klemmschiene	Clamp rail		
1026	75.2010.40	0K1280	Reihenkleme 16mm² grau	Terminal block 16mm² grey		
1027	75.2010.41	0G3488	Nullleiterklemme 16mm² blau	Neutral wire terminal 16mm² blue		
1028	76.9474	0G7130	Durchgangsklemme	Through terminal 50mm²		
1029	76.9475	0G7131	Schutzleiterklemme 50mm²	Ground conductor terminal 50mm²		
1030	82.9177	0TTW84	Sicherungsklemme 6.3X32 500V	Fuse holder terminal	Maine 400/440V	
1031	82.9171	0TTR73	Sicherung 6.3x32 0.63A 500V	Fuse 6.3x32 0.63A 500V	Maine 400/440V	
1032	75.2012.01	0K5155	Sicherungsklemme	Fuse holder terminal	UL	
1032	75.2012.02	0T2599	Abschlusswand zu Sicherungsklemme	Cover for fuse holder terminal	UL	
1033	712 344362.02	0G7132	Sicherung 5x20 2.5A 250V FST	Fuse 5x20 2.5A 250V FST	UL	
1034	712 344362.13	0G7133	Sicherung 5x20 6.3A 250V SPT	Fuse 5x20 6.3A 250V SPT	UL	
1035	76.9483	0G4009	Relais 230V UL	Relay 230V UL	UL	
1036	75.2010.20	0G7080	Reihenkleme grau	Terminal block grey		9061...
1037	75.2010.21	0G3489	Nullleiterklemme blau	Neutral wire terminal blue		9061...
1038	75.2011.01	0KT730	Schutzleiterklemme G/G	Ground conductor terminal G/G		9061...
	1 115 1783	0G6228	Filter FN2060	Filter FN2060		9061...
	76.9117.05	0G5927	Litze Haupterdraht	Litz wire earthing		
	76.9117.03	*	Litze Haupterdraht	Litz wire earthing	UL	
	87.9008	0G5939	Kabel: COP20 - Schützen STB	Cable: COP20 - Conductors STB		
	87.9173		Kabel: COP20 - Schützen STB UL	Cable: COP20 - Conductors STB UL	UL	
	87.9037	0G5923	Kabel: N - Trafo - P	Cable: N - Transformator - P		
	87.9154	0G7149	Kabel: N - Trafo - P UL	Cable: N - Transformator - P UL	UL	
	87.9009	0G5938	Kabel: Klemmen - Schützen	Cable: Terminal - conductor		
	87.9174	0G7150	Kabel: Klemmen - Schützen UL	Cable: Terminal - conductor UL	UL	
	87.9083.02	0G5928	Kabel: X0-X1 Hauptzuleitung 4mm²	Cable: X0 - X1 mains connection 4mm²		
	87.9083.03	0G5929	Kabel: X0-X1 Hauptzuleitung 6mm²	Cable: X0 - X1 mains connection 6mm²		
	87.9210	0G6872	Kabelbaum Prothermetic Marine	Wiring harness Prothermetic Marine	Maine 400/440V	
	82.2809	0C0068	Kabelverschraubung PG21	Cable gland PG21	Maine 400/440V	
	82.9226	0G7024	Gegenmutter PG21	Lock nut PG21	Maine 400/440V	



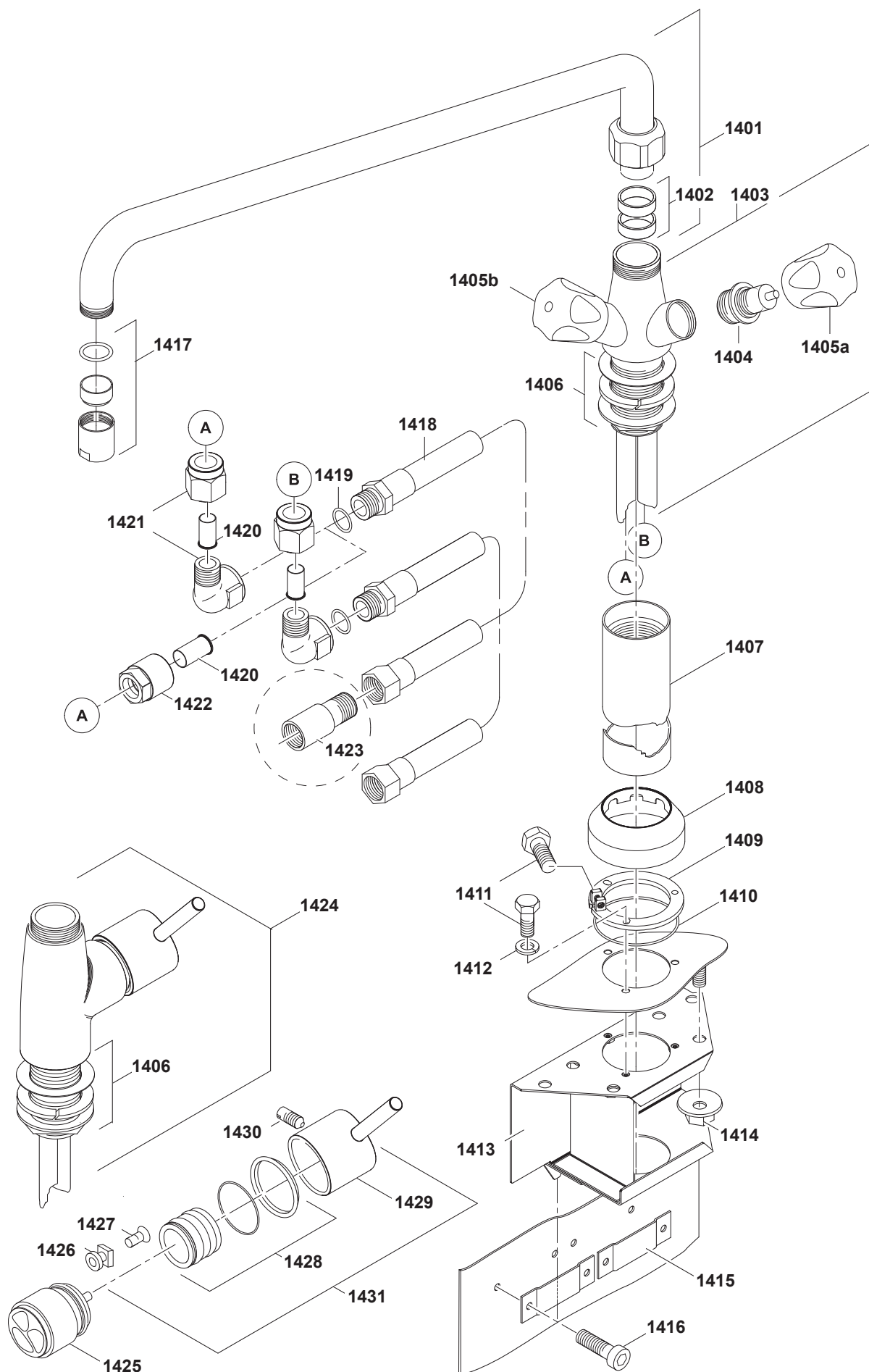
TI	Alias	Code	Bezeichnung	Description	Ref.	Valid from Serial N°
	879140.01	OG6367	Kippsteuerung kompl. 230-240V	Titling control assembled 230-240V	Standard	3401... until 9041...
	879140.01	OG8991	Kippsteuerung kompl. 230-240V	Titling control assembled 230-240V	Standard	9051...
	879140.06	OG6864	Kippsteuerung kompl. 440V	Titling control assembled 440V	Maine 400/440V	5011...
	879140.03	OG7151	Kippsteuerung kompl. 204V	Titling control assembled 204V	UL	3461...
	76.9000.01.KD	OG6016	Kippsteuerung kompl. xxT94	Titling kontrol xxT94		
1101	879116	OG6266	Kippsteuerung 7CA24VE1 SIR	Titling control 7CA24VE1 SIR		3401...
1102	75.5000.05	OG4212	Distanzhalter	Spacer		
1103	879133	*	Halter Kippsteuerung	Support tilting control		3401...
1104	1 701 2567	0KE185	Sechskantschraube M5x20	Hex bolt M5x20		
1105	1 701 7002	OG2923	Fächerscheibe M5	Fan washer M5		
1106	1 701 3008	OG6111	Sechskantmutter M5x0.8D	Hex nut M5x0.8D		
1107	879121	OG6273	Transformator 230V AC 24VDC	Transformer 230V AC 24VDC	Standard	
1107	879143	OG6865	Transformator 440V AC 24VDC	Transformer 440V AC 24VDC	Maine 400/440V	
1107	879123	OG7152	Transformator 204V AC 24VDC	Transformer 204V AC 24VDC	UL	
1108	1 701 3502	OG3595	Unterlegscheibe M4	Washer		
1109	1 701 5002	0KL273	Federring M4	Spring washer		
1110	1 701 2023	OG6863	Zylinderschraube M4x12	Allen screw		
1111	1 115 1783	OG6228	EMV Filter	EMC filter	Standard	
	879182	OG6866	Kabel: Trafo - Steuerelektronik (Filter)	Cable: tranformer - tilt control (EMC filter)	Standard	
	879119	OG6391	Kabel: Trafo - Steuerelektronik (ohne Filter)	Cable: tranformer - tilt control (no EMC filter)	Maine 400/440V / UL	
	76.9123	OG5919	Kabel: Thermoelement - Motor	Cable: Thermocouple - motor		
	879089	OG5932	Kabel: X2 - Kippung	Cable: X2 - tilting		
	879160	OG7153	Kabel UL: X2 - Kippung	Cable UL: X2 - tilting	UL	
	879083.02	OG5928	Kable: X0 - X1 Hauptzuleitung 4mm²	Cable: X0 - X1 mains connection 4mm²	60L-90L	
	879083.03	OG5929	Kable: X0 - X1 Hauptzuleitung 6mm²	Cable: X0 - X1 mains connection 6mm²	100L-170L	



12	Alias	Code	Bezeichnung	Description	Ref.	Valid from Serial N°
1201	87.5043	*	Tiegel geschweisst	Pan welded	170L D900	
1201	87.5099	*	Tiegel geschweisst	Pan welded	90L D900	
1201	87.5132	*	Tiegel geschweisst	Pan welded	170L D800/850	
1201	87.5134	*	Tiegel geschweisst	Pan welded	100L D800/850	
1201	87.5140	*	Tiegel geschweisst	Pan welded	100L D900	
1201	87.5122	*	Tiegel geschweisst	Pan welded	60L D900	
1201	87.5144	*	Tiegel geschweisst	Pan welded	60L D800/850	
1201	87.5141	*	Tiegel geschweisst	Pan welded	90L D800/850	
1202a/b	87.7003.01/02	*	Dämmung Tiegelrand vorn/hinten	Insulation pan frontside/backside	170L D900	
1202a/b	87.7014.01/02	*	Dämmung Tiegelrand vorn/hinten	Insulation pan frontside/backside	170L D800/850	
1202a/b	87.7004.01/02	*	Dämmung Tiegelrand vorn/hinten	Insulation pan frontside/backside	60L D900	
1202a/b	87.7005.01/02	*	Dämmung Tiegelrand vorn/hinten	Insulation pan frontside/backside	60L D800/850	
1202a/b	87.7006.01/02	*	Dämmung Tiegelrand vorn/hinten	Insulation pan frontside/backside	90L D900	
1202a/b	87.7007.01/02	*	Dämmung Tiegelrand vorn/hinten	Insulation pan frontside/backside	90L D800/850	
1202a/b	87.7011.01/02	*	Dämmung Tiegelrand vorn/hinten	Insulation pan frontside/backside	100L D900	
1202a/b	87.7015.01/02	*	Dämmung Tiegelrand vorn/hinten	Insulation pan frontside/backside	100L D800/850	
1203	87.9147.02	OG6360	Sensor TC Kochgut, rot	TC sensor food, red		
1203	86.9084.02	OG6360	Sensor TC Kochgut, rot	TC sensor food, red		3511...
1204	76.4191	OG3087	Halter zu Kochgutfühler klein	Support for food sensor, small		
1205	712 044120.06	OG3997	Keps-Mutter M6	Keps nut M6		
1206	76.4169	OG2819	Halter Begrenzer	Support Limiter		
1207	87.9147.01_KD	OG6280	Sensor TC Kochgut, gelb	TC sensor food, yellow		
1207	86.9084.01	OG5911	Sensor TC Kochgut, gelb	TC sensor food, yellow		2151...
1208	87.4058	OG7134	Halter zu Kochgutfühler groß	Support for food sensor, big		
1209	1 701 3016	OG5739	Sechskantmutter M6	Hex nut M6		
1210	1 701 3545	OK1298	Unterlegscheibe M6	Washer M6		
1211	1 701 5007	OG6058	Federscheibe M6	Spring washer M6		
1212	76.9117.07	OG5933	Kabel: Haupterd draht 10mm²	Cable: Main earthing 10mm²		
1213	87.9045	OG5935	TC Boden Sensor rechts, blau	TC bottom sensor right, blue		
1214	87.9046	OG5934	TC Boden Sensor links, grün	TC bottom sensor left, green		
1215	86.7006.01	OG4605	Heizelement 67x490 (230V/1.7kW)	Heating element 67x490 (230V/1.7kW)	60L-90L standard	
1215	86.7006.03	OG5485	Heizelement 67x490 (254V/1.7kW)	Heating element 67x490 (254V/1.7kW)	60L-90L Marine 400/440V	
1215	86.7005.01	OG4606	Heizelement 76x490 (230V/1.7kW)	Heating element 76x490 (230V/1.7kW)	100L-170L standard	
1215	86.7005.03	OG5488	Heizelement 76x490 (254V/1.7kW)	Heating element 76x490 (254V/1.7kW)	100L-170L Marine 400/440V	
1215	86.7006.05	OG7155	Heizelement 67x490 (208V/1.7kW)	Heating element 67x490 (208V/1.7kW)	60L-90L UL	
1215	86.7005.05	OG7156	Heizelement 76x490 (208V/1.7kW)	Heating element 76x490 (208V/1.7kW)	100L-170L UL	
1216	1 701 3547	OG5469	Unterlegscheibe M8	Washer M8		
1217	1 701 3044	OK4612	Sechskantmutter M8	Hex nut 8		
1218	1 115 1772	OG4896	Distanzhalter M8x25	Spacer M8x25		
1219	87.7001	*	Isolation Heizelemente	Insulation heating elements	60L-90L	
1219	87.7002	*	Isolation Heizelemente	Insulation heating elements	100L-170L	
1220	86.5202	OG5466	Halteblech Isolation	Metal suport for insulation	100L-170L	
1220	86.5200	OG5465	Halteblech Isolation	Metal suport for insulation	60L-90L	
1221	1 701 7550	OG4894	Dichtband 12x2	Sealing strip 12x2		
1222	*	*	Bodenblech	Bottom panel		
1223	1 701 2509	OK4598	Schraube M5x12	Screw M5x12		
1224	76.9148	OK4977	Anschlussklemme 4-polig	Terminal 4-pole		
1225	1 701 3502	OG3595	Unterlegscheibe M4	Washer M4		
1226	1 701 5002	OKL273	Federscheibe M4	Spring washer M4		
1227	1 701 2084	OG3586	Zylinderkopfschraube M4x25	Allen bolt M4x25		
1228	71.0505.03	OG2881	Kabelklemme	Cable clamp		
1229	1 701 1541	OG3674	Schraube M4x10	Screw M4x10		
	86.9134.01	OG5942	Verdrahtung Heizblock - Heizblock	Wiring: heating elem. -heating element	Standard/Marine 400/440V	
	86.9134.02	OG5943	Verdrahtung Heizblock - Klemme	Wiring: heating elem. -terminal	Standard/Marine 400/440V	
	86.9145.01	OG5944	Kabel: Heizung - Schützen 2.5mm²	Cable: heating - conductor 2.5mm²	Standard/Marine 400/440V	
	86.9145.02	OG5945	Kabel: Heizung - Schützen 2.5mm²	Cable: heating - conductor 2.5mm²	Standard/Marine 400/440V	

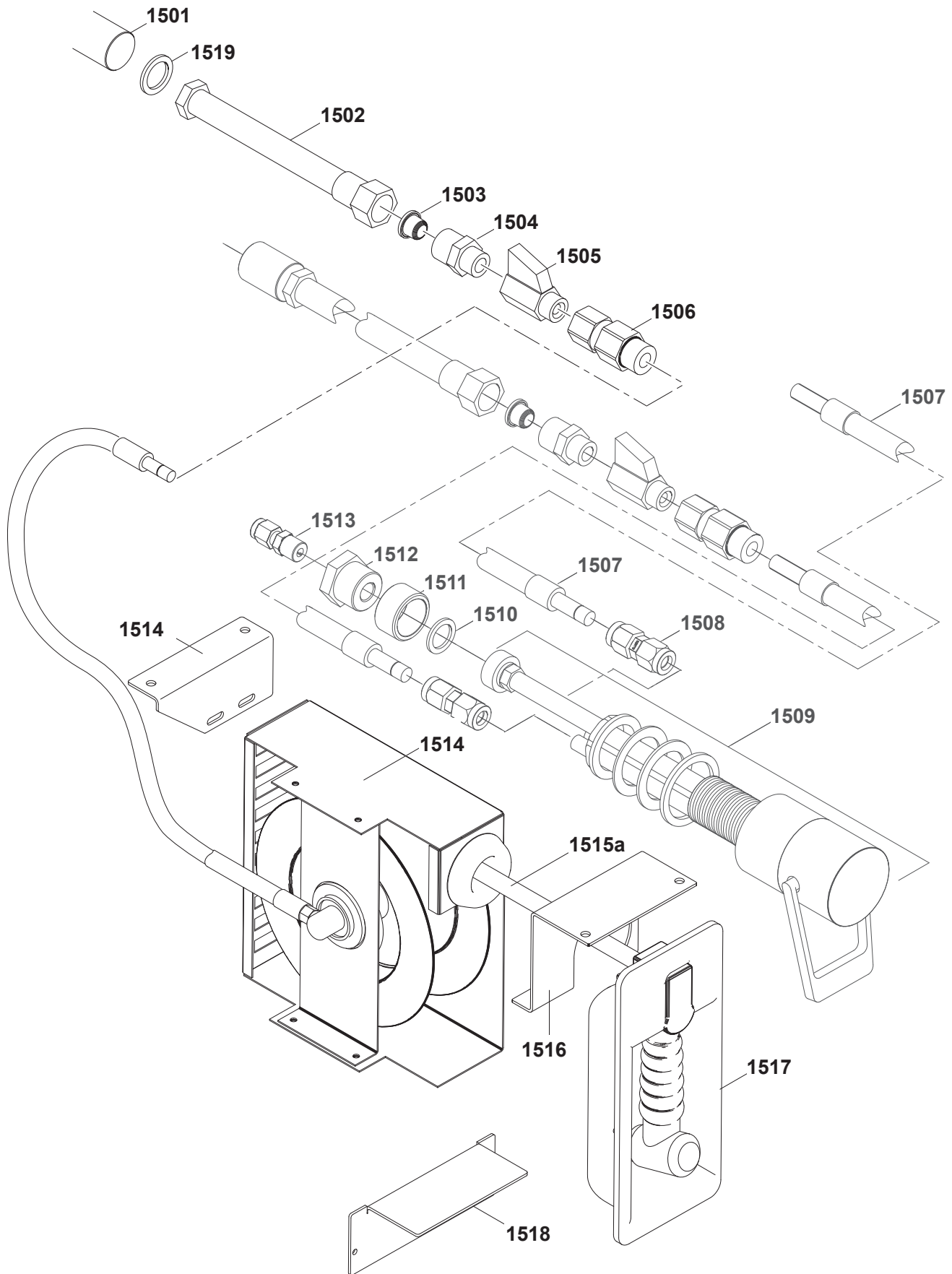


13	Alias	Code	Bezeichnung	Description	Ref.	Valid from Serial N°
1301a	75.1002	OK4928	Druckschalter	Pressure switch	Standard/Marine 400/440V	
1301b	879194	OG6933	Druckschalter UL	Pressure switch UL	UL	
1302	1 116 1154	OG2407	Doppelnippel 1/4" x 50	Double nipple 1/4" x 50	UL	
1303	87.5078	*	Prüfanschluss	Testing connection		
1304	1 701 2582	OT1775	Sechskantschraube M8x12	Hex bolt M8x12		
1305	1 701 1069	OG6959	Flachkopfschraube M5x12	Flat head screw M5x12		
1306	86.5213	OG5497	Einschraubtülle	Hose clip connector		
1307	12.9924	OG2824	Schlauchschelle	Hose clamp		
1308	12.9043	OK5361	Schlauch Ø10 Ø14	Hose Ø10 Ø14		
1309	1 102 2468	OG6234	Überschnittbuchse 1/2" - 1/4"	Hex head bushing 1/2" - 1/4"		
1310	1 102 2435	OG7145	T-Stück G1/2"	Tee G1/2"		
1311	1 701 7558	OG7135	Schlauchnippel 1/2"	Hose nipple 1/2"		
1312	12.9827	OG2823	Schlauchklemme	Hose clamp		
1313	87.5079		Dampfschlauch	Steam hose		
1314	1 116 1133	OG4513	Doppelnippel 1/2"x60	Double nipple 1/2"x60		
1315	1 201 2189	*	Rohrklammer Ø20-23	Pipe clamp Ø20-23		
1316a	87.5082	*	Grundplatte mit Muffe	Metal plate with bushing	H700/800	
1316b	87.5189	*	Grundplatte mit Muffe	Metal plate with bushing	H400	
1317	1 116 1199	OG4370	Buchse 3/4" - 1/2"	Hex head bushing 3/4" - 1/2"		
1318	86.7016.KD	OG5674	Kugelventil Gruner 230V	Ball valve Gruner 230V	Standard/Marine 400/440V	
1318	879165	OG7157	Kugelventil Gruner 240V UL	Ball valve Gruner 240V UL	UL	
1319	1 101 3823	OG5498	Verschraubung	Fitting		
1320a	86.5259.02	*	Kühlrohr	Cooling pipe	H400	
1320b	86.5259.01	*	Kühlrohr	Cooling pipe	H700/800	
1321	1 101 2148	OG5499	Gerade Verschraubung	Straight fitting		
1322	86.5211	OG5502	Blende Kühlwasser Ø14.8/2.5x4	Nozzle Cooling water Ø14.8/2.5x4		
1323	76.3048	OK5342	Magnetventil mit Spule	Solenoid valve and coil		
1324	87.4745	OG7594	Nippel 1/2"-3/8"	Nipple 1/2"-3/8"		
1325	712 044481.21	OG3610	Flachdichtung Ø18Ø11x2	Flat seal Ø18Ø11x2		until 9051...
1325	87.2429	OG8524	Flachdichtung Ø18Ø11x2	Flat seal Ø18Ø11x2		9061...
1326	86.7135.04	OG7137	Panzerschlauch G1/2" - G1/2" x400	Armored hose G1/2" - G1/2" x400		
1327	87.5168	OG6646	WFA Adapter	WFA adapter		
1328	87.5226	OG7138	Adapter Wandanschluss	Adapter for wall connection	with mixer tap	
1329	1 117 1119	OK4573	Schlauch Ø29 Ø22	Hose Ø29 Ø22		
1330	87.1492	OG7124	Rohrbogen	Bended pipe		
	879007	OG6380	Kabel: COP20 - Dampfvernichter	Cable: COP20 - Steam condensation		

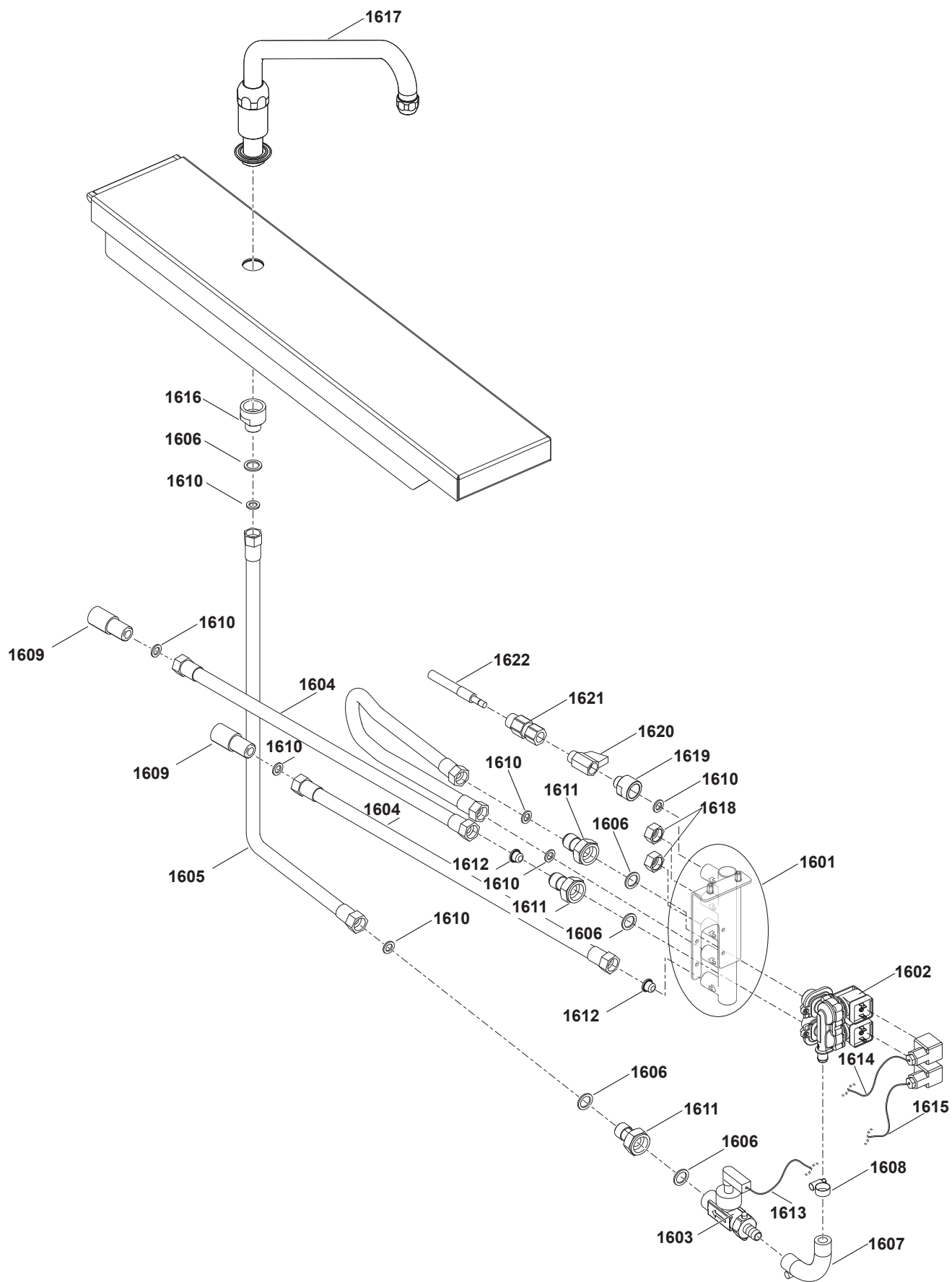




14	Alias	Code	Bezeichnung	Description	Ref.	Valid from Serial N°
	76.2013.01_KD	OKL304	Kit Zweihebel-Mischbatterie 330x600mm Kit enthält Pos.: 1-16, 18-20, 22	Kit mixing tap, 2 knobs, 330x600mm Kit contains pos.: 1-16, 18-20, 22		
1401	712 344884.04	OK5360	KWC Schwenkauslauf 3/4", 600mm	KWC swivel spout 3/4", 600mm		
1401	712 344884.03	OK5358	KWC Schwenkauslauf 3/4", 450mm	KWC swivel spout 3/4", 450mm		
1401	712 344884.02	OK5359	KWC Schwenkauslauf 3/4", 300mm	KWC swivel spout 3/4", 300mm		
1402		OK3930	Dichtungsringe	Sealing rings		
1403	712 344884.01	OK5355	KWC Zweihebel-Mischbatterie	KWC Mixing tap, 2 knobs		
1404		OK5357	Ventileinsatz 3/4"	Valve insert 3/4"		
1405a		OK5826	Griff blau	Knob blue		
1405b		OK5827	Griff rot	Knob red		
1406		OG3239	Set Verschraubung 5/4"	Kit Fixation 5/4"		
1407	72.5976.01	OG5227	Standrohr 460mm	Stand pipe 460mm		
1407	72.5976.02	OG3179	Standrohr 330mm	Stand pipe 330mm		
1407	72.5976.03	OG4753	Standrohr 160mm	Stand pipe 160mm		
1408	72.0435	OG3091	Rosette zu Standrohr	Stand pipe collar		
1409	72.5919	OKT745	Sicherungsring	Fixation ring		
1410	712 044480.14	OKT793	O-Ring ORM 0530-20	Joint ORM 0530-20		
1411	1 701 2632	OG3677	Sechskantschraube M4 x 16	Hex bolt M4x16		
1412	1 701 5002	OKL273	Federring M4	Spring washer M4		
1413	76.0119.01	OT2658	Konsole Mischbatterie	Console mixing tap		
1414	712 044120.05	OG3998	Kepsmutter M5	Keps nut M5		
1415	76.0033	OG3979	Hutprofil	Clamping profile		
1416	1 101 8129	OG3676	Innensechskantschraube M5 x 16	Allen bolt M5 x 16		
1417		OG3238	Tropfenschutz 3/4"	Drip stop 3/4"		
1418	712 344893.01	OKW734	Panzerschlauch L1700 G1/2" / R1/2"	Armored hose L1700 G1/2" / R1/2"		until 9441...
1418	87.7188.01	OG8753	Panzerschlauch L1700 G1/2" - I/A	Armored hose L1700 G1/2" - I/A		9451...
1418	712 344893.02	OK5363	Panzerschlauch L1100 G1/2" / R1/2"	Armored hose L1100 G1/2" / R1/2"		until 9441...
1418	87.7188.02	OG8754	Panzerschlauch L1100 G1/2" - I/A	Armored hose L1100 G1/2" - I/A		9451...
1418	712 344893.03	OG6530	Panzerschlauch L600 G1/2"	Armored hose L600 G1/2"		until 9441...
1418	87.7188.03	OG8755	Panzerschlauch L600 G1/2" - I/A	Armored hose L600 G1/2" - I/A		9451...
1419	712 044481.21	OG3610	Flachdichtung Ø 18/11x2 G1/2"	Flat seal Ø 18/11x2 G1/2"		until 9051...
1419	87.2429	OG8524	Flachdichtung Ø18Ø11x2	Flat seal Ø18Ø11x2		9061...
1420	1 101 3797	OKE129	Stützhülse	Sleeve		
1421	1 101 3798	OK4489	Winkel-Anschluss G1/2"	Angle connection G1/2"		
1422	1 101 2075	OKX119	Anschluss G1/2"	Connection G1/2"		
1423	87.5168	OG6646	WFA Adapter G1/2"	WFA Adapter G1/2"		
1424	712 344884.05	*	KWC Einhebel-Mischbatterie	KWC mixing tap, one lever		
1425		OK1140	Steuerpatrone	Mixer tap cartridge		
1426	Z.632.240	KWC	Kunststoffeinsatz	Plastic insert		
1427	Z.602.997	KWC	Schraube M4 x 15	Screw M4 x 15		
1428	Z.535.675	KWC	Befestigung mit Gleitringen	Fixation with slide rings		
1429	Z.634.829	KWC	Bedienhebel , chrom	Control lever, chrome		
1430	Z.605.952	KWC	Gewindestift M6 x 10	Set screw M6 x 10		
1431	Z.535.674	KWC	Bedienhebel mit Befestigung	Control lever with fixation		







16	Alias	Code	Bezeichnung	Description	Ref.	Valid from Serial N°
1601	87.7138	0G8267	Wasserverteiler WFA 2.0	Water distributor WFA 2.0		
1602	87.7139	0G8030	"2/2-Weg Magnetventil 1/3/4" A1/2 Schlaucht"	2/2-way solenoid valve 1/3/4" A1/2" hoses		
1603	76.9668	0G3702	Durchflussmesser WFA	Flow meter WFA		
1604	87.7188.04	0G8756	Panzerschlauch I/1 0.6 m	Armored hose L600 G1/2"		
1605	87.7188.06	*	Panzerschlauch I/1 1.1m	Armored hose L1100 G1/2"		
1606	87.7195	0G8719	Dichtung 24x17x2 AFM34	Flat sealing 24x17x2 AFM34		
1607	86.7144	0G7668	Dampfschlauch ø13/ø23	Steam hose ø13/ø23		
1608	12.9827	0G2823	Bride Schlauch	Hose clamp		
1609	87.5168	0G6646	Adapter zu WFA	Adapter for WFA G1/2"		
1610	87.2429	0G8524	Dichtung D18x11x2 AFM34	Flat sealing D18x11x2 AFM34		
1611	87.7193	0G9121	"Anschlussverschraubung 3/4"-1/2"	Connection screw fitting 3/4"-1/2"		
1612	1 701 2827	0G6842	Hutfilter 1/2-50/20 H12	Filter insert 1/2-50/50 H12		
1613	87.9106	0G6658	Kabel COP20CAN-WFA Flowmeter	Cable connection COP20CAN-WFA Flowmeter		
1614	87.9020.01	*	Kabel COP20-WW Ventil 3300MM	Cable connection COP20-WW Ventil 3300MM		
1615	87.9019.01	*	Kabel COP20-KW Ventil 3300MM	Cable connection COP20-KW Ventil 3300MM		
1616	1 116 1233	0G8474	"Muffennippel reduziert 3/4"-1/2"	Socked pipe nipple reduced 3/4"-1/2"		
1617	87.7227	0G9122	Schwenkarm Klarco 350	Swiveling arm		
1618	87.2430	0G8648	Gewindekappe 1/2	Threaded cap 1/2"		
1619	1 116 1222	0G8889	"Muffennippel reduziert 1/2-3/8"	Socked pipe nipple reduced 1/2"-3/8"		
1620	86.1086	0G6844	Kugelhan mini A3/8 - 13/8	Ball valve mini 3/8"		
1621	87.7151	0G8523	"Kegelrückschlagventil ø8/3/8"	Check valve 3/8"		
1622	86.7123	0G5969	Spray Gun Schlauch 1/4 SG	Spray Gun Hose		
--	87.7089	OTTX97	Dichtband für rohr-gewinde	Sealing tape for pipe threads		

