

**DE
EN**
**PUET-G/L
PUET-G/L**
**KIPP-DRUCKGARBRAISIÈRE, GAS, RECHTECKIG
TILTING PRESSURE BRAISING PAN, GAS, RECTANGULAR**

| Page | Baugruppe | Assembly group | Models |
|------|--------------------------------|--------------------------|----------|
| 2 | Deckelverschluss | Lid lock | PUET-G/L |
| 4 | Druckdeckel | Pressure Lid | PUET-G/L |
| 7 | Deckelbefestigung | Lid support | PUET-G/L |
| 8 | Achse | Shaft | PUET-G/L |
| 10 | Kippfront | Titing panel | PUET-G/L |
| 11 | Kippung | Tilting system | PUET-G/L |
| 12 | Steuerfront | Control panel | PUET-G/L |
| 14 | Steuerung | Contropl system | PUET-G/L |
| 16 | Steuerung Kippmotor | Tilting control | PUET-G/L |
| 18 | Tiegel | Pan | PUET-G/L |
| 20 | Dampfkondensation | Steam condensation | PUET-G/L |
| 22 | Gas-Zuleitung | Gas supply line | PUET-G/L |
| 24 | Einbauleitung Gas | Built-in line gas | PUET-G/L |
| 25 | Auslaufhahn | Drain Tap | PUET-G/L |
| 26 | Mischbatterie KWC | Mixer tap KWC | PUET-G/L |
| 28 | Spraygun | Spray gun | PUET-G/L |
| 30 | Mikroendschalter und Begrenzer | Micro switch and Liniter | PUET-G/L |
| 31 | Füße | Feet | PUET-G/L |
| 32 | DÜSENLISTE PUET09 | NOZZLE LIST PUET09 | |
| 33 | DÜSENLISTE PUET17 | NOZZLE LIST PUET17 | |
| 34 | DÜSENLISTE PUET09-UL | NOZZLE LIST PUET09-UL | |
| 36 | DÜSENLISTE PUET17-UL | NOZZLE LIST PUET17-UL | |

Valid from Ser. № 6351

Last Updates

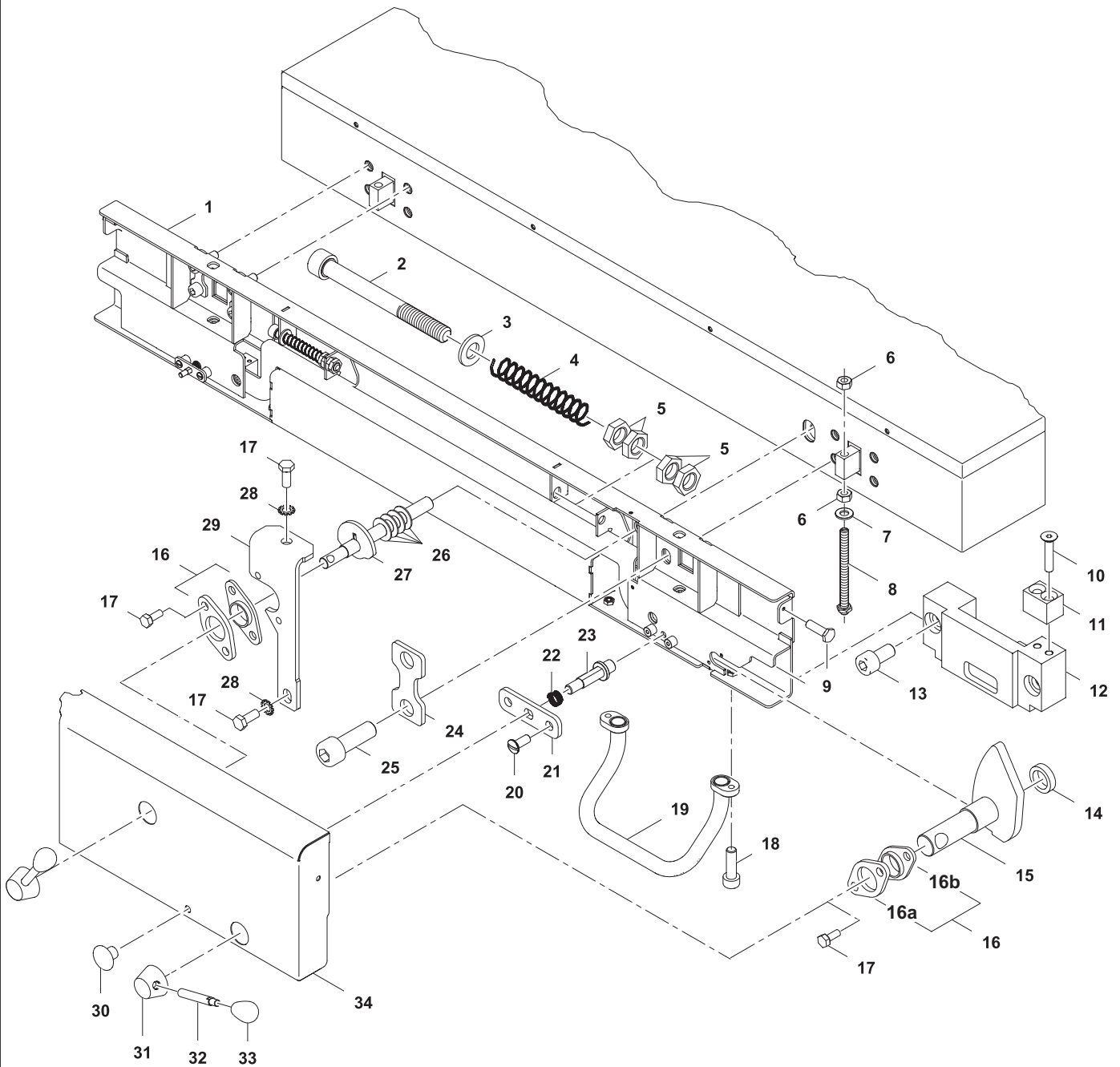
 01/2015
 04/2016
 08/2016
 12/2016
 04/2017
 04/2018
 12/2018

Page

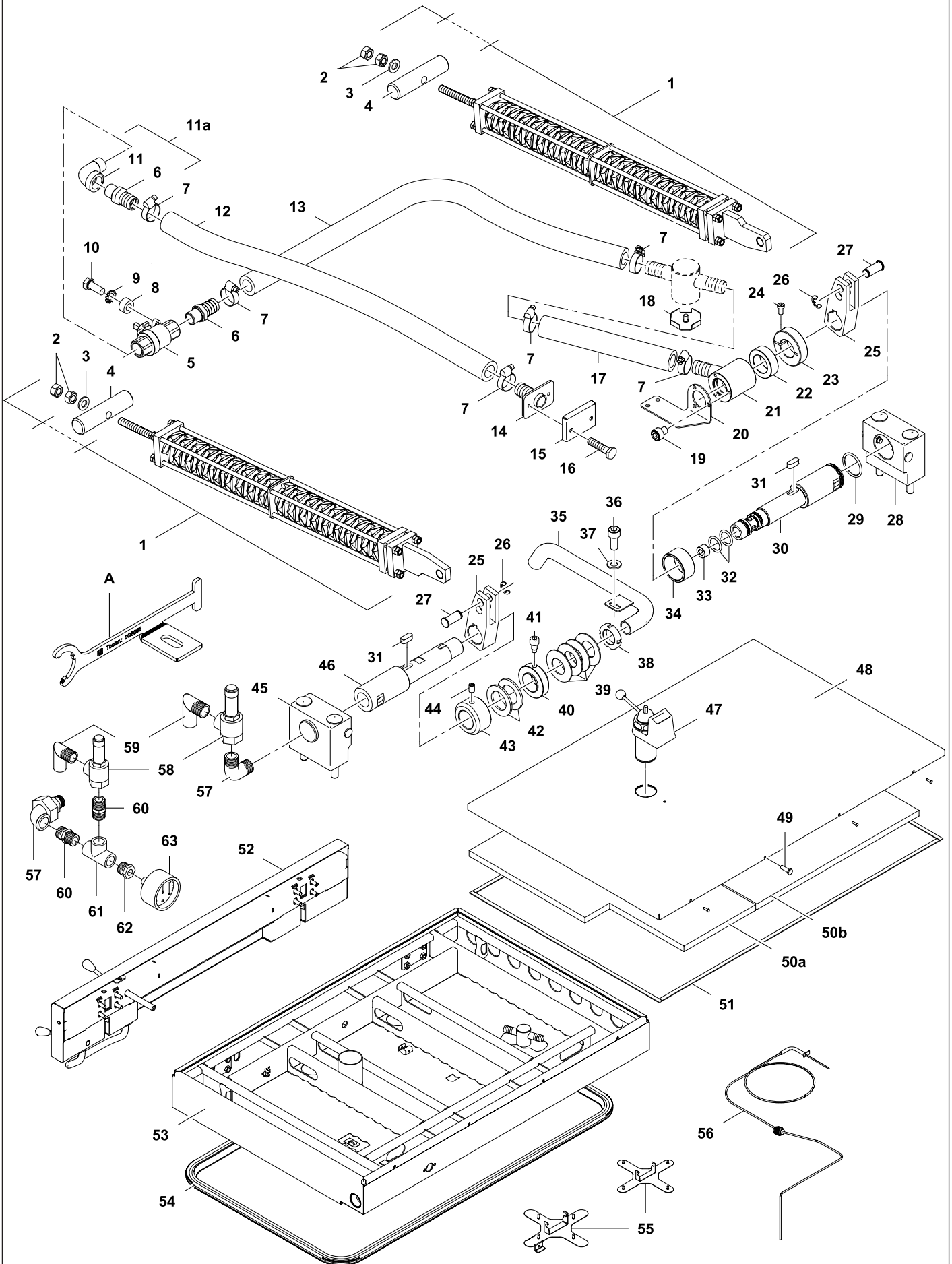
 all
 all
 6/7
 2/3
 15/17
 3
 31

Pos.

 16
 8



| 1 | Alias | Code | Bezeichnung | Description | Ref. | Valid from Serial N° |
|-----|------------|--------|-----------------------------|---------------------------|------|----------------------|
| 1 | 86.5402.03 | * | Support Verschluss | Support closure | 90L | |
| | 86.5402.04 | * | Support Verschluss | Support closure | 170L | |
| 2 | 1 701 2086 | * | Schraube Zyl. I-6kt M10x100 | Allen screw M10x100 | | |
| 3 | 1 701 3516 | 0T5917 | U-Scheibe Ø10.5 x Ø20 x 2 | Washer Ø10.5 x Ø20 x 2 | | |
| 4 | 86.5189 | 0G5431 | Druckfeder 58/4/4 | Compression spring 58/4/4 | | |
| 5 | 1 701 3055 | * | Mutter 6kt M10 x 0,5D | Hex nut M10 x 0,5D | | |
| 6 | 1 701 3044 | 0K4612 | Mutter 6kt M8 x 0.8D | Hex nut M8 x 0.8D | | |
| 7 | 1 701 3516 | 0T5917 | Unterlegscheibe M8 | | | |
| 8 | 87.5108 | 0G7126 | Gewindestift mit Mutter | Threaded pit with nut | | |
| 9 | 75.5006.06 | 0G5515 | Schraube 6kt M5 x 16 USPH | Hex bolt M5 x 16 USPH | | |
| 10 | 1 701 1072 | 0G6833 | Schraube Senk M5 x 25 | Countersunk screw M5 x 25 | | |
| 11 | 86.5187 | 0G5429 | Bronze - Klotz | Bronze - block | | |
| 12 | 87.5042 | * | Riegel | Locking | | |
| 13 | 1 701 2083 | 0G5437 | Schraube I-6kt M8 x 16 | Allen screw M8 x 16 | | |
| 14 | 86.5389 | 0G6387 | Gleitlager Schließer | Sliding bearing | | |
| 15 | 86.5168 | 0G6637 | Schließer | Lid locking | | |
| 16 | 86.5172 | 0G5317 | Lager - Schließer | Bearing for locking | | |
| 16a | 86.5318 | 0G8107 | Distanzstück | Spacer | | until 7521... |
| 16b | 86.5317 | 0G7817 | Flanschlager GFL-14 | Bearing GFL-14 | | 8011... |
| 17 | 1 701 2507 | 0G4653 | Schraube 6kt M5 x 10 | Hex bolt M5 x 10 | | |
| 18 | 1 101 8040 | 0K4493 | Schraube I-6kt M6 x 20 | Allen screw M6 x 20 | | |
| 19 | 86.5093 | 0G5443 | Bügelgriff | Handle | | |
| 20 | 10 3179 | 0G4216 | Flackkopf-Sch. M5x12 | Fat head screw M5x12 | | |
| 21 | 86.5190 | 0G5293 | Lagerplatte | Bearing plate | | |
| 22 | 86.5192 | 0G6577 | Druckfeder 51/6/1 | Compression spring 51/6/1 | | |
| 23 | 86.5191 | 0G5432 | Achse | Axis | | |
| 24 | 86.2611 | 0G7384 | U-Scheibe spez. TUET-DD | Special washer TUET-DD | | |
| 25 | 1 101 8134 | 0G6087 | Schraube I-6kt M10 x 30 | Allen screw M10 x 30 | | |
| 26 | 74.0148 | 0G3733 | Scheibe 16 x 30 x 1,5 | Washer 16 x 30 x 1,5 | | |
| 27 | 86.5411 | 0G6409 | Welle Sicherheitsventil | Shaft | | |
| | 1 701 7077 | 0KT912 | Schwerspannstift Ø5x14 | Pivot pin Ø5x14 | | |
| 28 | 1 701 7002 | 0G2923 | Fächerscheibe M5 | Fan washer M5 | | |
| 29 | 86.5412 | * | Gleitlagersupport | Sliding bearing support | | |
| 30 | 1 701 2810 | 0G5294 | Griff I.150/30-M6 | Handle 150/30-M6 | | |
| 31 | 86.5120 | 0G5297 | Griffnabe | Handle hub | | |
| 32 | 86.5119 | 0G5298 | Griffbolzen | Handle bolt | | |
| 33 | 1 701 2811 | 0G5299 | Griff I.122/40-M8 | Handle 122/40-M8 | | |
| 34 | 86.5403.03 | * | Front Verschluss | Front closure | 90L | |
| | 86.5403.04 | 0G6485 | Front Verschluss | Front closure | 170L | |



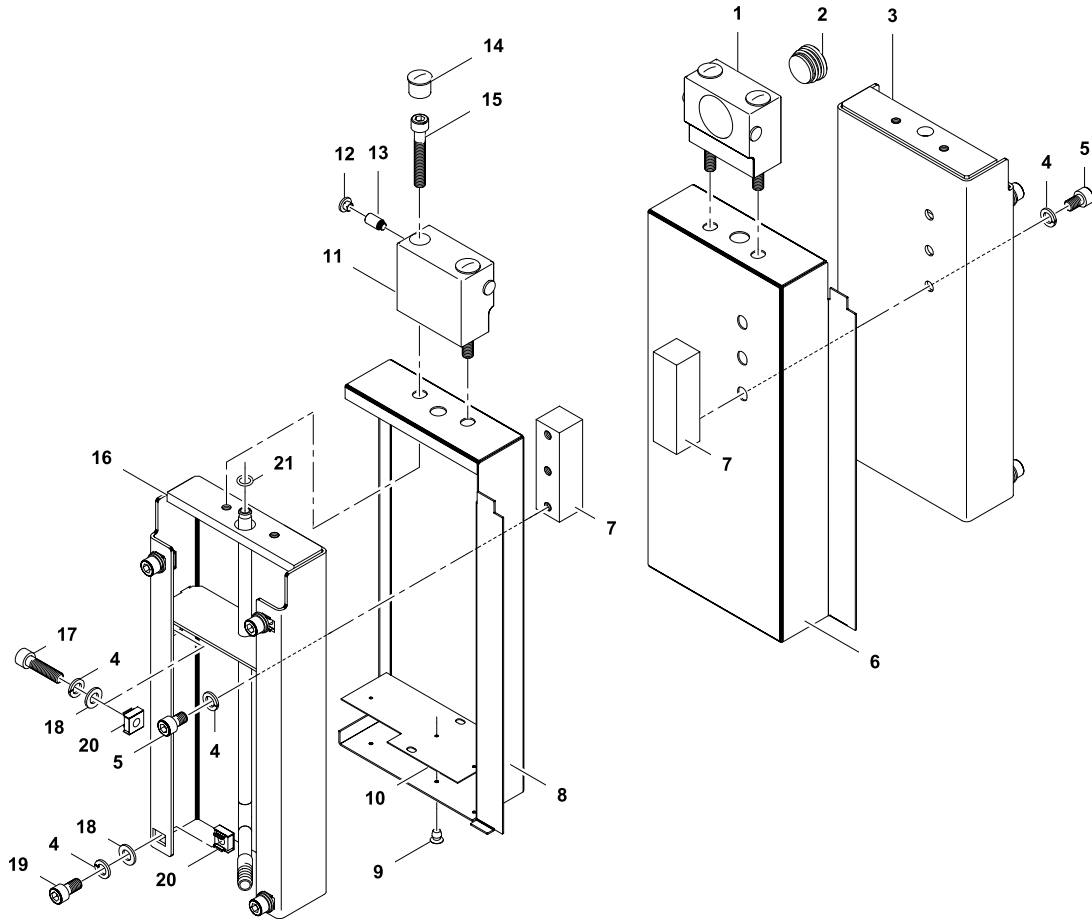
| 2 | Alias | Code | Bezeichnung | Description | Ref. | Valid from Serial N° |
|-----|---------------|--------|---|---|-----------------|----------------------|
| A | 87.0047 | OG6055 | SV-und Bremseinstellschlüssel | Slotted nut wrench | | |
| 1 | 87.5210_KD | OG6432 | Federpaket ohne Pos. 3 und 4 | Spring kit without Pos. 3 and 4 | 100L/170L | |
| | 76.3328 | OG3937 | Federpaket ohne Pos. 3 und 4 | Spring kit without Pos. 3 and 4 | 60L/90L | |
| 2 | 1 701 3027 | 0T1781 | Mutter M10 | Nut M10 | | |
| 3 | 1 701 3542 | OG7245 | Unterlegscheibe M10 | Washer M10 | | |
| 4 | 86.5354 | OG7246 | Gelenkwelle | Joint shaft | | |
| 5 | 86.5409 | OG7247 | Kugelhahn 1/2 Kohler R-621 | Ball valve 1/2 Kohler R-621 | | |
| 6 | 1 116 1212 | OG7249 | Schlauchnippel R-144 1/2"-20mm | Hose nipple R-144 1/2"-20mm | | |
| 7 | 1 103 1170 | OK4550 | Schlauchklemme Gr. 1 | Hose clamp | | |
| 8 | 1 701 1142 | OG7250 | Distanzhülse | Spacer | | |
| 9 | 1 701 7002 | OG2923 | Fächerscheibe M5 | Fan waher M5 | | |
| 10 | 1 701 2509 | OK4598 | Schraube 6kt M5 x 12 | Hex bolt M5x12 | | |
| 11 | 1 101 2162 | OG6161 | Einschraubwinkel 1/2" | L connector | | |
| 11a | 87.5151 | * | Einschraubwinkel 1/2" mit Schlauchanschluss | L connector with hose nipple | | |
| 12 | 1 701 1140.04 | OG7251 | Dampfschlauch | Steam hose | 60L/90L | |
| | 1 701 1140.07 | OG7252 | Dampfschlauch | Steam hose | 100L/170L | |
| 13 | 1 701 1140.03 | OG7253 | Dampfschlauch | Steam hose | 60L/90L | |
| | 1 701 1140.06 | OG7254 | Dampfschaluch | Steam hose | 100L/170L | |
| 14 | 86.5416 | OG7255 | Stutzen | T joint with hose nipple | | |
| 15 | 86.5417 | OG7256 | Ableitkappe | Derivation cover | | |
| 16 | 75.5006.01 | OG5143 | Schraube 6kt M5 x 20 USPH | Hex bolt M5x20 USPH | | |
| 17 | 1 701 1140.01 | OG6811 | Dampfschlauch Ø19 x Ø31 x 205 | Steam hose Ø19 x Ø31 x 205 | | |
| 18 | 86.5332 | OG6431 | Schikane | Baffle | | |
| 19 | 1 101 8199 | OG7257 | Schraube Zyl. I-6kt M5 x 6 | Allen screw M5 x 6 | | |
| 20 | 87.5080 | | Supportplatte - Dampfkupplung | Support - steam coupling | | |
| | 86.5352 | OG7258 | Supportplatte - Dampfkupplung | Support - steam coupling | | 3141... |
| 21 | 86.5349 | OG7259 | Dampfkupplung | Steam coupling | | |
| 22 | 86.5351 | OG7260 | Unterlage links | Spacer lrft | | |
| 23 | 1 201 2187 | OG7261 | Geschlitzte Stellringe | Adjustment ring | | |
| 24 | 1 101 8161 | OG5812 | Schraube I-6kt M6x12 | Allen screw M6x12 | | |
| 25 | 86.5364 | OG6291 | Federhebel | Spring support | | |
| 26 | 1 701 2775 | OG6243 | Sicherungsscheibe d=10...14mm | Locking washer | | |
| 27 | 76.3264 | OG7262 | Lagerbolzen | Bearing pin | | |
| 28 | 87.5018 | OG7789 | Lagerklotz links | Bearing support, left | Standard/Marine | |
| | 87.5161.04 | * | Lagerklotz links mit Sicherheitsventil UL | Bearing support, left with safety valve | UL | |
| 29 | 1 201 2191 | OG6731 | O-Ring Ø3.5 x Ø32.00 / Ø38.00 | O-ring Ø3.5 x Ø32.00 / Ø38.00 | | |
| 30 | 86.5360 | OG7263 | Lagerwelle links | Bearing shaft left | | |
| 31 | 1 701 7099 | OG5985 | Keil Feder. 8 x 7 x 20 Typ A | Feather key 8 x 7 x 20 Typ A | | |
| 32 | 1 201 2193 | OG7264 | O-Ring Ø3.00 x Ø19.00 / Ø25.00 | O-ring Ø3.00 x Ø19.00 / Ø25.00 | | |
| 33 | 1 101 3903 | OG7265 | Verschlussschraube SO 40371-3/8" | Locking screw SO 40371-3/8" | | |
| 34 | 86.5350 | OG7266 | Unterlage rechts | Spacer right | | |
| 35 | 86.5451 | OG7267 | Rohr für Sensorkabel kpl. | Pipe for sensor cable | | |
| 36 | 1 101 8123 | OG3849 | Schraube I 6kt M5 x 12 | Allen screw M5 x 12 | | |
| 37 | 1 701 3535 | OG3588 | Unterlegscheibe M5 | Washer M5 | | |
| 38 | 1 701 1133 | OG6290 | Nutmutter M25x1.5 / Ø38 | Slotted nut | | |
| 39 | 1 201 2104 | OG6289 | Tellerfeder | Belleville spring | | |
| 40 | 86.5347 | OG6288 | Unterlage rechts - Reibbelagring | Spacer right - Friction disc | | |
| 41 | 86.5368 | OG6292 | Schraube I 6kt M8 x 16 bearbeitet | Allen screw M8 x 16 reworked | | |
| 42 | 1 701 2772 | OG6286 | Reibbelagring | Friction disc | | |
| 43 | 86.5346 | OG6287 | Unterlage links - Reibbelagring | Spacer left - Friction disc | | |
| 44 | 1 701 7094 | OG4248 | Gew.-Stift I6kt M8 x 12 | Allen set screw M8 x 12 | | |
| 45 | 87.5019 | OG7790 | Lagerklotz rechts | Bearing support, right | | |
| 46 | 86.5361 | OG7268 | Lagerwelle rechts | Bearing shaft right | | |
| 47 | 86.5150 | OG5442 | Deckelventil kpl. DV3 | Lid valve | | |
| 48 | 87.5013.01 | * | Verschalung Druckdeckel Oben | Cover pressure lid | 60L/90L | |
| | 87.5013.02 | OG7602 | Verschalung Druckdeckel Oben | Cover pressure lid | 100L/170L | |
| 49 | 75.5006.06 | OG5515 | Schraube 6kt M5 x 16 USPH | Hex bolt M5 x 16 USPH | | |
| 50 | 87.5104.01 | OG7269 | Isolation | Insulation | | |

* Components on demand
* Teile auf Anfrage

Doc. № 599A2BB00 / 87.8031.02

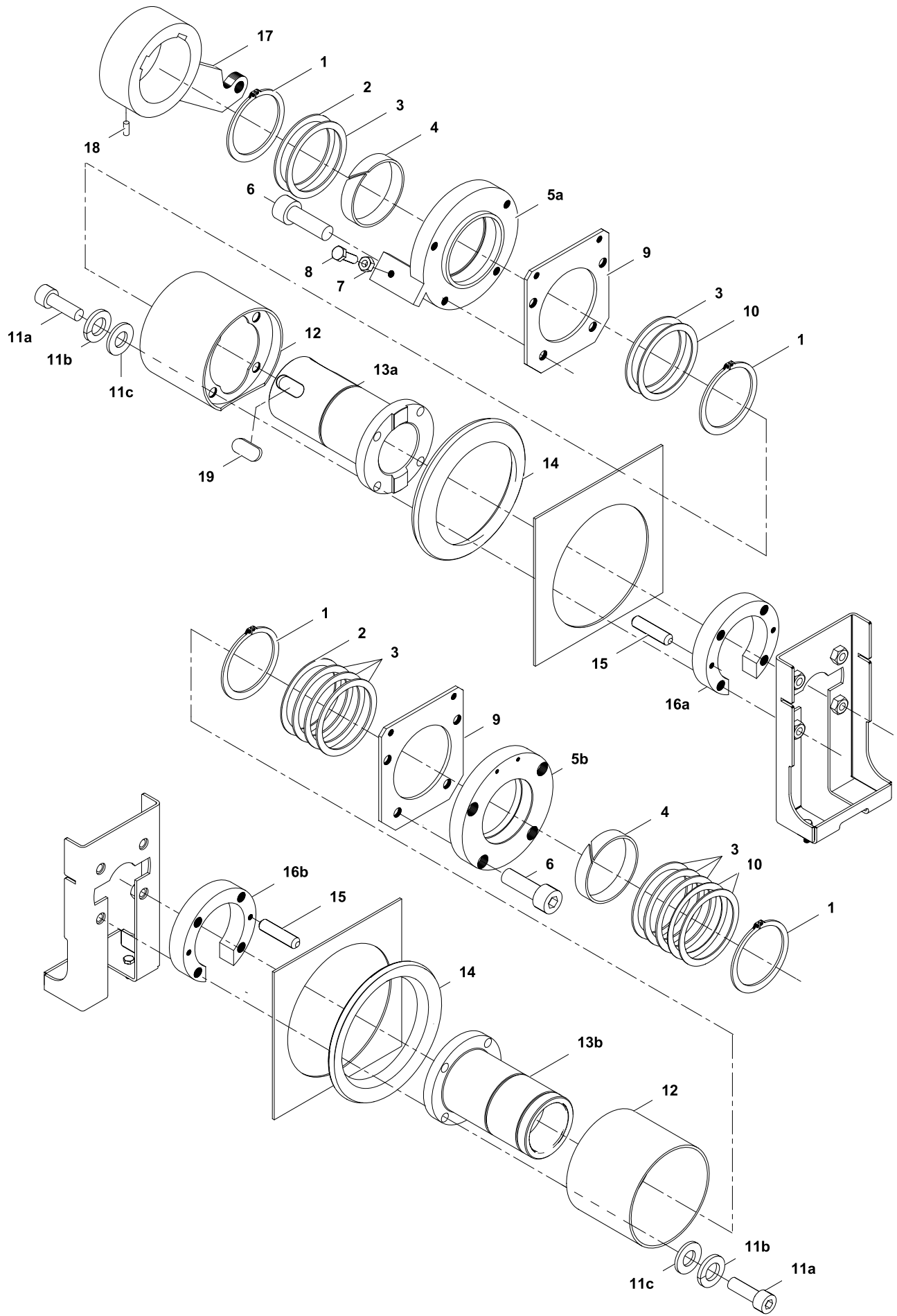
Page: 5

| 2 | Alias | Code | Bezeichnung | Description | Ref. | Valid from Serial N° |
|-----|---------------|--------|--------------------------------|-------------------------------|------------------------|----------------------|
| 50b | 87.5104.02 | OG7270 | Isolation | Insulation | 100L/170L | |
| 51 | 1 701 7550 | OG4894 | Dichtband APENFIX 12 x 2 | Sealing strip APENFIX 12 x 2 | | |
| 52 | 86.5401.03 | OG7271 | Verschluss | Lid lock | 60L/90L | |
| | 86.5401.04 | OG7125 | Verschluss | Lid lock | 100L/170L | |
| 53 | 87.5001.01 | * | Chassis | Chassis | 60L/90L | |
| | 87.5001.02 | * | Chassis | Chassis | 100L/170L | |
| 54 | 718 034000.02 | OK5570 | Lippendichtung | Lip seal | | |
| | 718 034000.03 | OK5571 | Lippendichtung | Lip seal | | |
| 55 | 86.5379 | OG6430 | Dampfschikane | Steam baffle | | |
| | 87.5251 | OG7867 | Dampfschikane | Steam baffel | | 7011.. |
| 56 | 879047 | OG5937 | Kerntemperaturmesser M16.5x1.5 | Sensor TC Core Temp M16.5x1.5 | PUETxxK /Marine/ UL | |
| 57 | 86.2657 | | Winkelrohr 90° 1/2" | Bow pipe 90° 1/2" | UL | |
| | 1 102 2469 | | Winkelverschraubung 1/2" | Elbow 1/2" | UL | |
| 58 | 76.3365 | OG3913 | Sicherheitsventil 0.6 bar | Safety valve 0.6 bar | UL | |
| 59 | 76.8096 | | Winkelstück Dampfvernichtung | Angle piece steam destruction | UL | |
| 60 | 1 116 1166 | OG5518 | Doppelnippel 1/2" | Double nipple 1/2" | | |
| 61 | 1 102 2435 | OG7145 | T-Stück 1/2" | Tee piece 1/2" | | |
| 62 | 1 102 2468 | OG6234 | Übergangsstück 1/2" - 1/4" | Adapter piece 1/2" - 1/4" | | |
| 63 | 1 102 2470 | OG7439 | Manometer -1 / +1 bar | Manometer -1 / +1 bar | | |

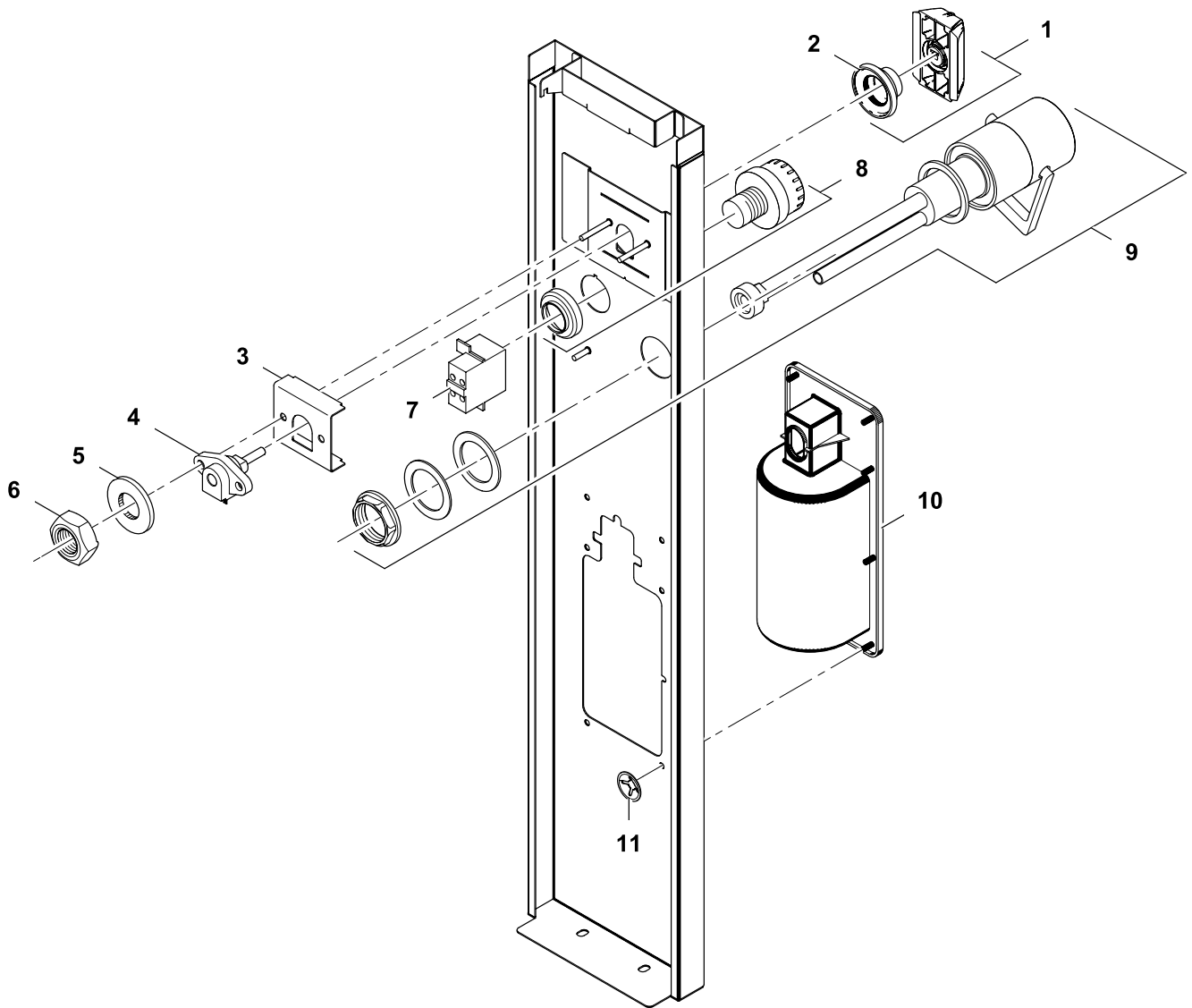


| 3 | Alias | Code | Bezeichnung | Description | Ref. | Valid from Serial N° |
|----|------------|--------|-----------------------------------|---------------------------------------|------|----------------------|
| 1 | 87.5019 | OG7790 | Lagerklotz rechts | Bearing support, right | | |
| 2 | 1 201 2175 | OG6285 | Stopfen ø30 Ø32 | Stopper ø30 Ø32 | | |
| 3 | 87.5029.03 | * | Lagerblech rechts | Support right | 90L | |
| | 87.5029.01 | * | Lagerblech rechts | Support right | 170L | |
| 4 | 1 701 5040 | OK4616 | Federring M10 | Spring washer m10 | | |
| 5 | 1 101 8125 | OK4545 | Schraube I-6kt M10x16 | Allen screw M10x16 | | |
| 6 | 87.5066 | * | Verkleidung Lagerblech rechts | Cover right | 90L | |
| | 87.5031 | * | Verkleidung Lagerblech rechts | Cover right | 170L | |
| 7 | 87.5033 | * | Lager | Support | | |
| 8 | 87.5065 | * | Verkleidung Lagerblech links | Cover left | 90L | |
| | 87.5032 | * | Verkleidung Lagerblech links | Cover left | 170L | |
| 9 | 1 701 6515 | OG4796 | Blindniete | Blind rivet | | |
| 10 | 76.1337.01 | * | Abdeckblech rechts/links | Cover panel right/left | 90L | |
| | 76.1338.01 | * | Abdeckblech rechts/links | Cover panel right/left | 170L | |
| 11 | 87.5018 | * | Lagerklotz links | Bearing support, left | | |
| 12 | 87.5119 | OG6293 | Verschlussstopfen | Stopper | | |
| 13 | 87.5143 | * | Gew.-Stift I6kt mit Zapfen M10x16 | Allen set screw with dog point M10x16 | | |
| 14 | 70.0395 | OK5236 | Rohrabschlusskappe 22x1.5 | End cap 22x1.5 | | |
| 15 | 1 101 8183 | OG4249 | Schraube I-6kt M10x65 | Allen screw M10x65 | | |
| 16 | 87.5029.04 | * | Lagerblech links | Support left | 90L | |
| | 87.5029.02 | * | Lagerblech links | Support left | 170L | |
| 17 | 1 101 8146 | OK4497 | Schraube I-6kt M10x40 | Allen screw M10x40 | | |
| 18 | 1 701 3516 | OT5917 | Unterlegscheibe M10 | Washer M10 | | |
| 19 | 1 101 8130 | OG5493 | Schraube I-6kt M10x20 | Allen screw M10x20 | | |
| 20 | 1 701 1067 | OG7127 | Käfigmutter M10 | Cage nut | | |
| 21 | 87.5120 | OG6732 | O-Ring | O-Ring | | |
| | 76.3617 | OG6114 | Dichtschmierstoff | Lubricant | | |

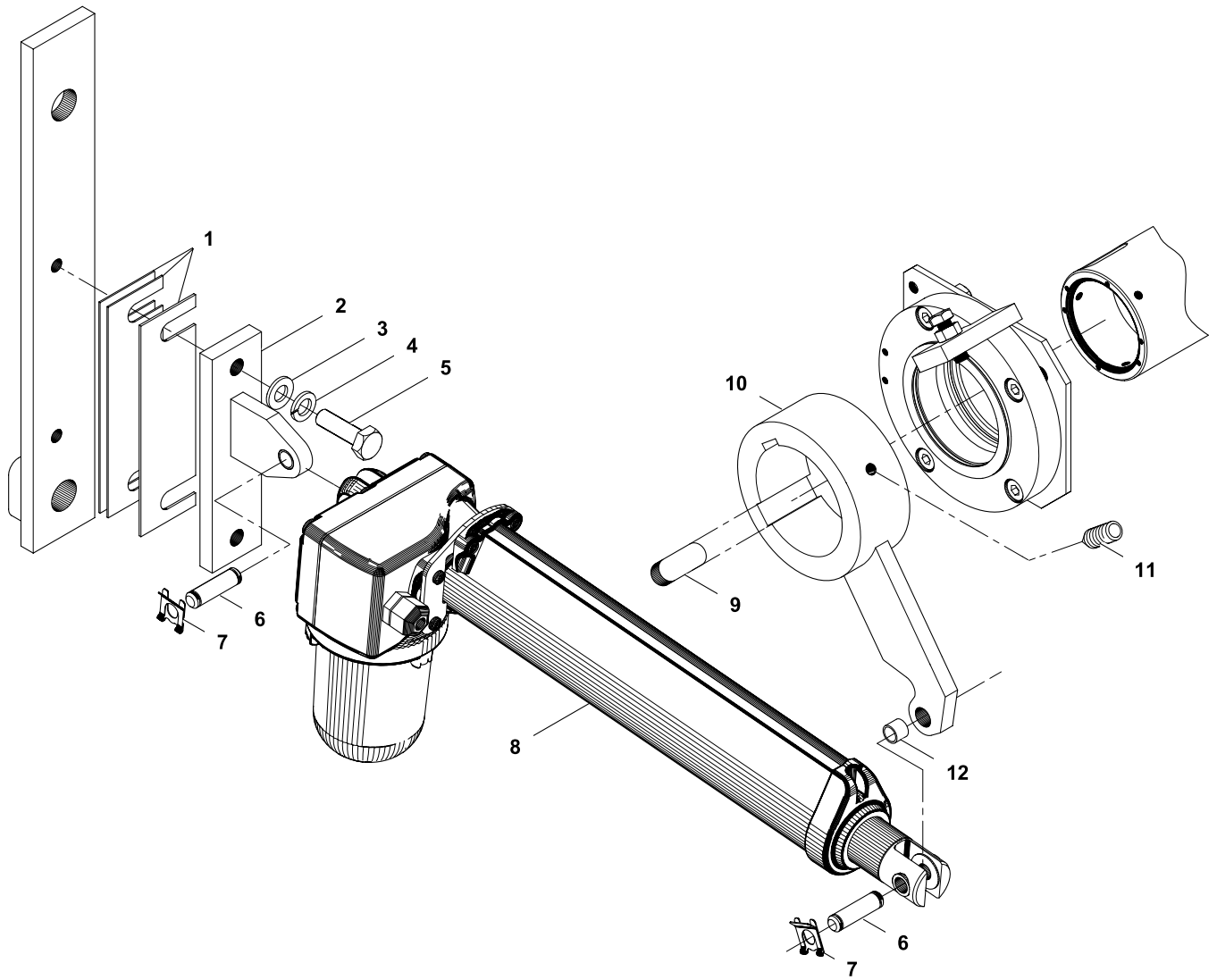
* Components on demand
* Teile auf Anfrage



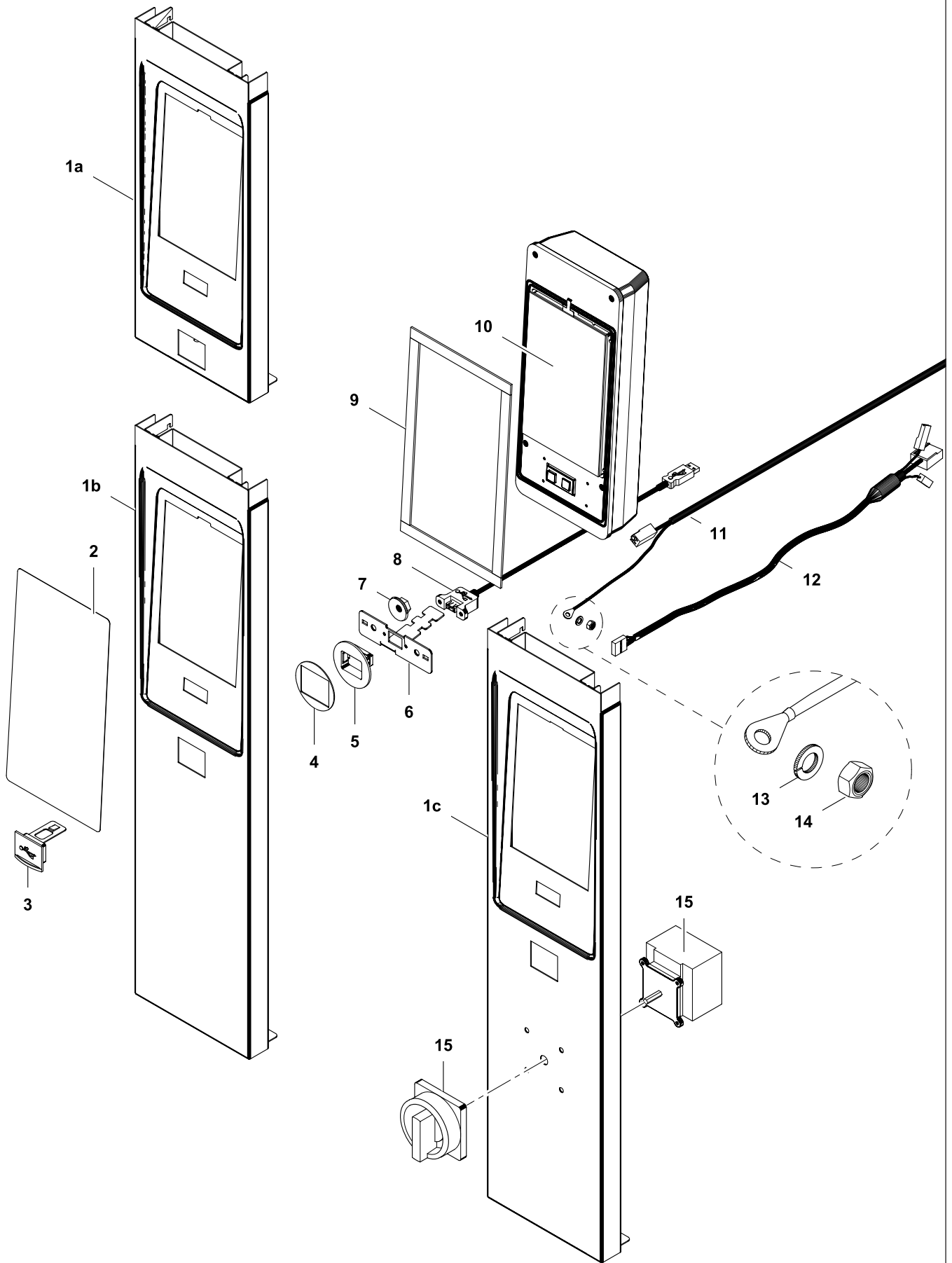
| 4 | Alias | Code | Bezeichnung | Description | Ref. | Valid from Serial N° |
|-----|------------|--------|-------------------------------|---------------------------|-----------|----------------------|
| 1 | 1 701 5080 | OKT913 | Sicherungsring Ø70 | Circlip ring Ø70 | | |
| 2 | 76.4402 | OKI520 | Distanzscheibe | Spacer washer | | |
| 3 | 76.4037 | OKI519 | Distanzscheibe | Spacer washer | | |
| 4 | 76.3002 | OKI517 | Lagerband | Bearing strip | | |
| 5a | 76.4425 | OG4680 | Lagerhalter links | Bearing retainer left | | |
| 5b | 76.4337 | OKT703 | Lagerhalter rechts | Bearing retainer right | | |
| 6 | 1 701 2631 | OKT916 | Innensechskantschraube M8x25 | Allen bolt M8x25 | | |
| 7 | 1 701 3044 | OK4612 | Sechskantmutter M8 | Hex nut M8 | | |
| 8 | 1 701 2616 | OKT918 | Sechskantschraube M8x25 | Hex bolt M8x25 | | |
| 9 | 76.4341 | OG4726 | Gegenhalter | Counter support | | |
| 10 | 76.4038 | OKT707 | Stützscheibe | Retaining washer | | |
| 11a | 1 101 8148 | OG2970 | Innensechskantschraube M10x50 | Allen bolt M10x50 | 170L | |
| | 1 101 8146 | OK4497 | Innensechskantschraube M10x40 | Allen bolt M10x40 | 90L | |
| 11b | 1 701 5040 | OK4616 | Federring M10 | Spring washer M10 | | |
| 11c | 1 701 3516 | OT5917 | Unterlegscheibe M10 | Washer M10 | | |
| 12 | 76.4102.01 | OG3135 | Abdeckung Lagerzapfen | Cover bearing spigot | 170L | |
| | 76.4102.06 | OG7115 | Abdeckung Lagerzapfen | Cover bearing spigot | 90L | |
| 13a | 76.4528 | OG4126 | Lagerzapfen links | Bearing spigot left | | |
| 13b | 76.4111 | OKT705 | Lagerzapfen rechts | Bearing spigot right | | |
| 14 | 76.3004 | OKI521 | Dichtmanschette | Sealing sleeve | | |
| 15 | 1 701 7058 | OG6089 | Schwerspannstift 6x26 | Spring pin 6x26 | | |
| 16a | 76.4530.01 | OG3498 | Zwischenring links 20mm | Spacer bracket left 20mm | 170L | |
| | 76.4530.04 | OG7116 | Zwischenring links 8mm | Spacer bracket left 8mm | 90L | |
| 16b | 76.4031.01 | OKT709 | Zwischenring rechts 20mm | Spacer bracket right 20mm | 170L | |
| | 87.5110 | OG7128 | Zwischenring rechts 5mm | Spacer bracket right 5mm | 90L | |
| 17 | 76.4362 | | Kipphebel geschweisst | Tilting lever welded | D800/850 | |
| | 76.4022 | OKW902 | Kipphebel geschweisst | Tilting lever welded | D900/1000 | |
| 18 | 1 701 7094 | OG4248 | Gewindestift I-6kt M8x12 | Allen setzcrew M8x12 | | |
| 19 | 1 201 1907 | OKT929 | Keilfeder 14x9x36 | Feather key 14x9x36 | | |



| 5 | Alias | Code | Bezeichnung | Description | Ref. | Valid from Serial N° |
|----|---------------|--------|-----------------------------------|---------------------------------|------|----------------------|
| 1 | 87.7072_0.KD | OG6644 | Drehgriff komplett | Handle with adapter and sealing | | 3401... |
| 2 | 82.7009 | OG6247 | Dichtung Drehgriff | Sealing handle | | 3401... |
| | 76.9673 | OG3648 | Griff zu Einbaukipfung | Handle for tilting system | | 2071... |
| 3 | 87.1363 | OG7236 | Abstandsblech | Spacer | | 3401... |
| 4 | 87.9118 | OG6267 | Kipppotentiometer 7POT5KEO | Tilting potentiometer 7POT5KEO | | 3401... |
| | 76.9363 | OKI513 | Schalter mit Potentiometer | Switch and potentiometer | | 2071... |
| 5 | 1 701 3502 | OG3595 | Unterlegscheibe Ø4,3 x Ø9,0 x 0,8 | Wascher Ø4,3 x Ø9,0 x 0,8 | | 3401... |
| 6 | 1 701 3004 | OK4606 | Sechskantmutter M4x0,8 | Hex nut M4x0,8 | | 3401... |
| | 712 044120.04 | OG4918 | Keps-Mutter M4 | Keps nut M4 | | 2071... |
| 7 | 76.9108.02 | OK5160 | Kontaktgeber Notaus | Terminal emergency stop | | |
| 8 | 76.9075.03 | OKX129 | Notausschlater | Emergency stop button | | |
| 9 | 86.7120 | OG6839 | Einhebelmischer | One-lever mixer tap | | |
| 10 | 86.7124 | OG7860 | Frontblende Spray Gun | Front panel spray gun | | |
| 11 | 1 701 5083 | OG6850 | Quicklock-Scheibe | Quicklock fixing washer | | |

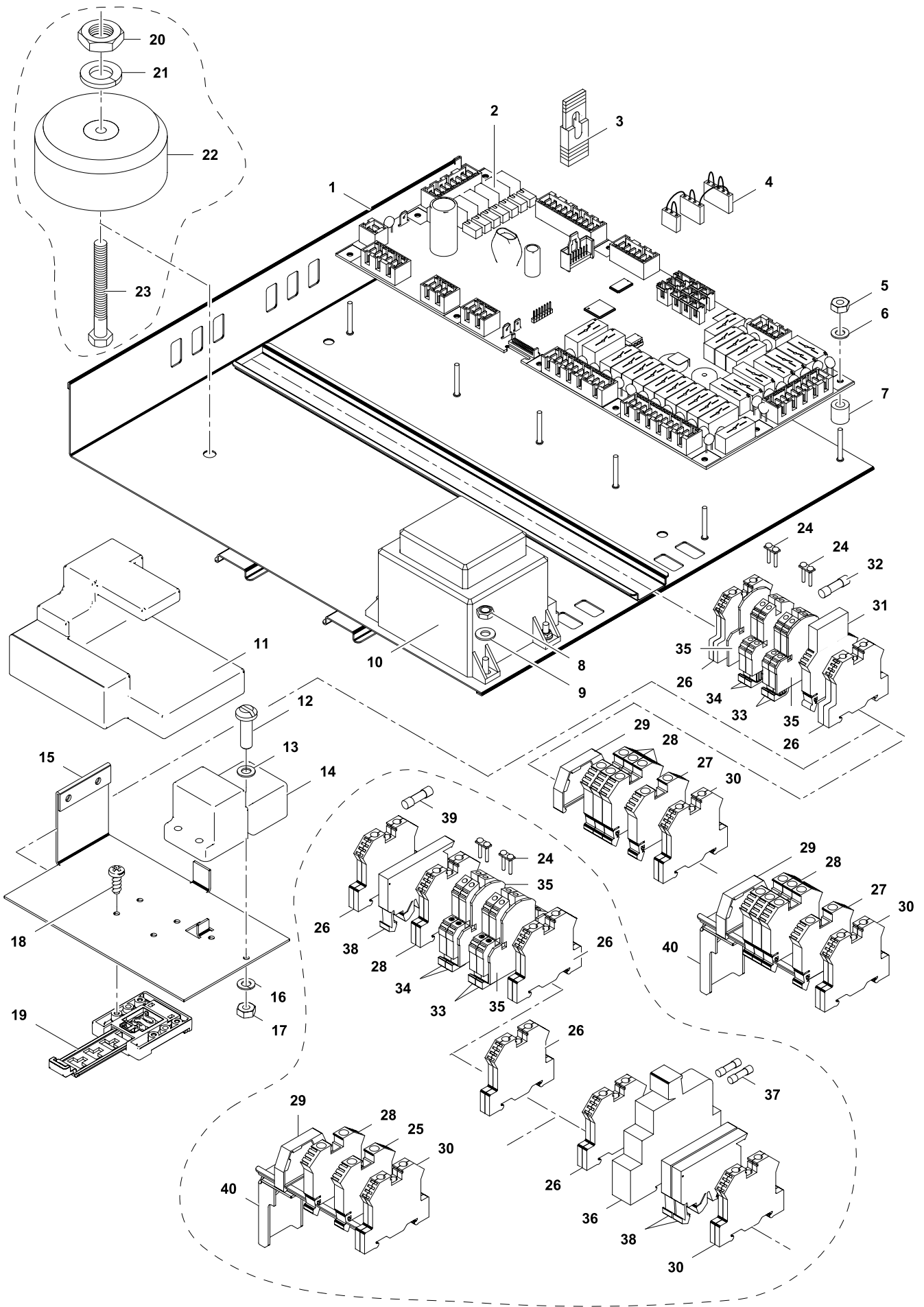


| 6 | Alias | Code | Bezeichnung | Description | Ref. | Valid from Serial N° |
|----|------------|--------|--------------------------------------|--------------------------------------|------|----------------------|
| 1 | 76.0066.01 | OK5492 | Zwischenblech 1mm | Spacer sheet 1mm | | |
| | 76.0066.03 | OK5494 | Zwischenblech 1,5mm | Spacer sheet 1,5mm | | |
| 2 | 76.0162 | OG2930 | Motorhalter | Motor support | | |
| 3 | 1 701 3516 | OT5917 | Unterlegscheibe Ø10.5 x Ø21 x 2 | Washer Ø10.5 x Ø21 x 2 | | |
| 4 | 1 701 5040 | OK4616 | Federring M10 | Spring washer M10 | | |
| 5 | 1 701 2543 | OK4601 | Sechskantschraube M10x35 | Hex bolt M10x35 | | |
| 6 | 87.7041 | OG6840 | Bolzen M10x30 | Pin M10x30 | | 4141... |
| | 76.0074.xx | OK5500 | Bolzen M10x29 | Pin M10x29 | | 3401... |
| 7 | 1 201 1927 | OK5499 | Federklammer Ø10 | Spring clip Ø10 | | |
| 8 | 87.9113 | OG6269 | Kippmotor SIR 3000N lang 6814421 | Tilting motor SIR 3000N long 6814421 | 90L | 4141... |
| | 87.9112 | OG6268 | Kippmotor SIR 6000N lang 6814420 | Tilting motor SIR 6000N long 6814420 | 170L | 4141... |
| | 76.3090 | OK4753 | Kippmotor 3000N lang | Tilting motor 3000N long | 90L | 3401... |
| | 76.3091 | OK4754 | Kippmotor 8000N lang | Tilting motor 8000N long | 170L | 3401... |
| 9 | 1 201 1907 | OKT929 | Passfeder 14x9x36 | Feather key 14x9x36 | | |
| 10 | 76.4022 | OKW902 | Kipphebel | Rocker arm | | |
| 11 | 1 701 7094 | OG4248 | Gewindestift m. Innensechskant M8x12 | Allen set screw M8x12 | | |
| 12 | 76.4115 | OK5498 | Lager GLEIT-PERMAGLIDE | Fiberglide | | |



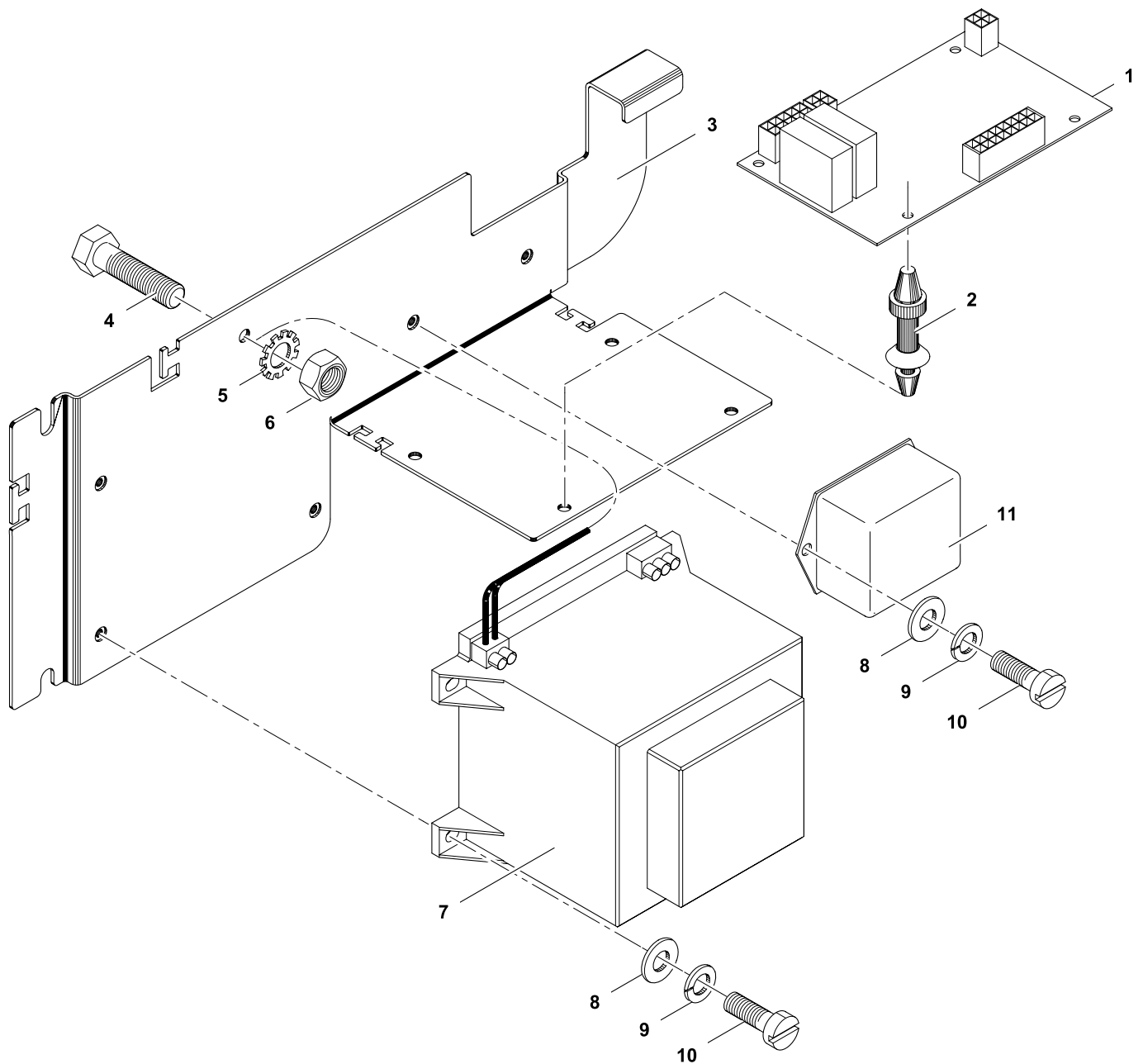
| 7 | Alias | Code | Bezeichnung | Description | Ref. | Valid from Serial N° |
|----|--------------------|--------------------|---------------------------------|---------------------------------|-----------------------------|----------------------|
| 1a | 87.1013.03 | OG7714 | Steuerfront | UI panel | 400H 900 depth | |
| 1b | 87.1013.01 | * | Steuerfront | UI panel | 700H 900 depth | |
| | 87.1013.02 | * | Steuerfront | UI panel | 800H 900 depth | |
| | 87.1013.15 | * | Steuerfront D100mm | UI panel D100mm | 400H 900 depth (1000 depth) | |
| | 87.1013.16 | * | Steuerfront D100mm | UI panel D100mm | 700H 900 depth (1000 depth) | |
| | 87.1013.17 | * | Steuerfront D100mm | UI panel D100mm | 800H 900 depth (1000 depth) | |
| | 1c | 87.1013.01+87.1310 | * | Steuerfront mit Hauptschalter | UI panel with main switch | 700H 900 depth |
| | 87.1013.02+87.1311 | * | Steuerfront mit Hauptschalter | UI panel with main switch | 800H 900 depth | |
| 2 | 87.1008 | OG6081 | Folie | Foil | | |
| 3 | 87.9004 | OC6546 | Abdeckkappe zu USB | USB cover | | |
| 4 | 87.9005 | OTTH81 | Dichtung zu USB | USB sealing | | |
| 5 | 87.9003 | OC6547 | Halter zu USB | USB support | | |
| 6 | 87.1014 | OG7715 | Blech zu USB | USB fixation sheet | | |
| 7 | 712 044120.04 | OG4918 | Kepsmutter M4 | Keps nut M4 | | |
| 8 | 87.9030 | OC6566 | Kabel COPUI40-USB | Cable COPUI40-USB | | |
| 9 | 1 701 7550 | OG4894 | Dichtband APENFIX 12x2 | Sealing strip AENFIX 10x2 | | |
| 10 | 87.9043_0 | OG5909 | Steuerung komplett | User interface assembled | | |
| | 87.9043_1 | OG6990 | Steuerung komplett | User interface assembled | | 5181... |
| 11 | 87.9010 | OG5956 | Kabel Klemmen-COPUI40S | Cable terminal-COPUI40S | | |
| | 87.9158 | OG7129 | Kabel UL Klemme-COPUI40S | Cable UL terminal-COPUI40S | UL | |
| 12 | 87.9033 | OG5957 | Kabel COPUI40-COP20 | Cable COPUI40-COP20 | | |
| 13 | 1 701 5004 | OH9734 | Federring M5 | Spring washer M5 | | |
| 14 | 1 701 3008 | OG6111 | Sechskantmutter M5 | Hex nut M5 | | |
| 15 | 76.9164.01 | OG2137 | Hauptschalter 25A | Main switch 25A | 90L | |
| | 76.9149.04 | OG7113 | Kabel 5x4mm ² L=1400 | Cable 5x4mm ² L=1400 | 90L | |
| | 76.9164.02 | OK4979 | Hauptschalter 63A | Main switch 63A | 170L | |
| | 76.9149.06 | OG7114 | Kabel 5x6mm ² L=1400 | Cable 5x6mm ² L=1400 | 170L | |

* Components on demand
* Teile auf Anfrage

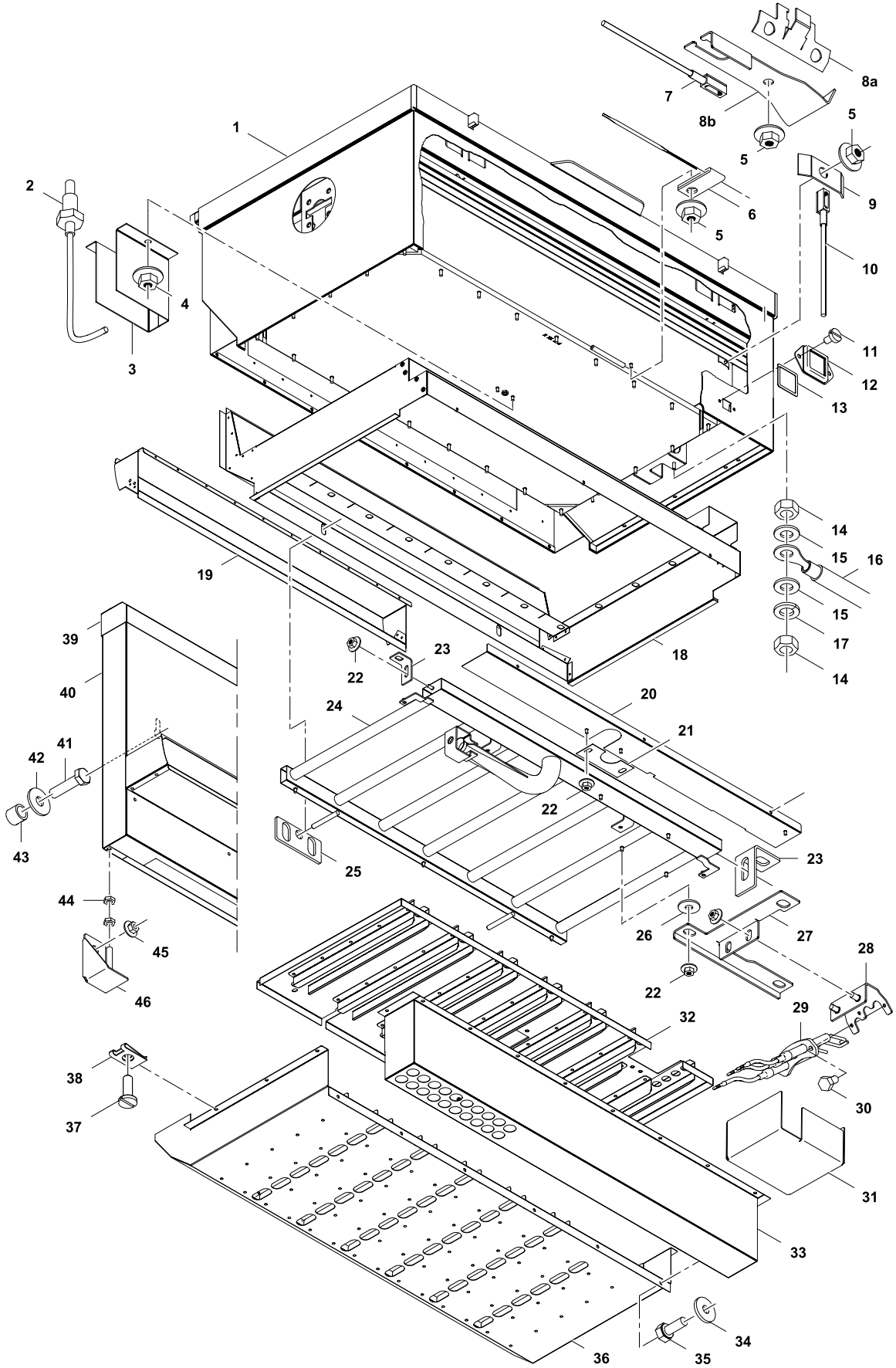


| 8 | Alias | Code | Bezeichnung | Description | Ref. | Valid from Serial N° |
|----|---------------|--------|---|---|----------|----------------------|
| 1 | 879188.01 | * | Steuerträger standard PxxT | Support frame PxxT | Standard | |
| | 879188.02 | * | Steuerträger UL | Support frame PxxT UL | UL | |
| 2 | 879015 | OG5908 | Motherboard COP20 | Motherboard COP20 | | |
| 3 | 879191 | OG7123 | Jumper | Jumper | | |
| 4 | 879190 | OG6638 | Jumper Core Temp | Jumper Core Temp | | |
| 5 | 1 701 3057 | OU0182 | Sechskantmutter M3 | Hexs nut M3 | | |
| 6 | 1 701 3540 | OKI478 | Unterlegscheibe M3 | Washer M3 | | |
| 7 | 76.3011.03 | OG3094 | Distanzhalter 12mm | Spacer 12mm | | |
| 8 | 1 701 3004 | OK4606 | Sechskantmutter M4 | Hex nut M4 | | |
| 9 | 1 701 3502 | OG3595 | Unterlegscheibe M4 | Washer M4 | | |
| 10 | 879036 | OG5910 | Transformator PMA 70VA 230V-12/24V | Transformer PMA 70VA 230V-12/24V | Standard | |
| | 879151 | OG6785 | Transformator 15VA 220V-120V | Transformer 15VA 220V-120V | UL | |
| 11 | 879065 | OG5948 | Gasfeuerungsautomat SIT DBC579.419 | Control unit for gas burner SIT DBC579.419 | | |
| 12 | 1 701 2004 | OG6474 | Schraube M3x35 | Screw M3x35 | | |
| 13 | 1 701 3540 | OKI478 | Unterlegscheibe M3 | Washer M3 | | |
| 14 | 879066 | OC4105 | Zündtransformator TSM | Ignition Transformer TSM | | |
| 15 | 879072 | OG7541 | Halter Gassteuerung | Support gas control | | |
| 16 | 1 701 5068 | OKW901 | Federring M3 | Spring washer M3 | | |
| 17 | 1 701 3057 | OU0182 | Sechskantmutter M3 | Hex nut M3 | | |
| 18 | * | * | Blechschrabe 3,5 x 20 | Tapping screw 3,5 x 10 | | |
| 19 | 879076 | OG7542 | Tragschienenhalter | Support | | |
| 20 | 1 701 3044 | OK4612 | Sechskantmutter M8 X 0,8D | Hex nut M8 X 0,8D | UL | |
| 21 | 1 701 5008 | OKL250 | Federring M8 | Fan washer M8 | UL | |
| 22 | 879152 | OG6786 | Transformator 450VA | Transformer 450VA | UL | |
| 23 | 1 701 2571 | OG7543 | Schraube M8x90 | Hex bolt M8x90 | UL | |
| 24 | 75.2010.14 | OG5735 | Querverbinder | Cross connection | | |
| 25 | 75.2010.35 | OG7544 | Reihenklemme 10mm ² weiß | Terminal block 10mm ² white | | |
| 26 | 75.2011.01 | OKT730 | Schutzleiterklemme 4mm ² | Ground conductor terminal 4mm ² | | |
| 27 | 75.2010.31 | OG3495 | Nullleiterklemme 10mm ² grün | Neutral wire terminal 10mm ² green | | |
| 28 | 75.2010.30 | OKT732 | Reihenklemme 10mm ² grau | Terminal block 10mm ² grey | | |
| 29 | 75.2013 | OKX290 | Arretierstück | Fixation | | |
| 30 | 75.2011.02 | OKT729 | Schutzleiterklemme 10mm ² | Ground conductor terminal 10mm ² | | |
| 31 | 76.9527.01 | OG3940 | Sicherungsklemme 10mm ² | Fuse holder terminal 10mm ² | | |
| | 76.9527.02 | OG4585 | Abschlusswand zu Sicherungsklemme | Cover for fuse holder terminal | | |
| 32 | 712 344362.01 | OG5814 | Sicherung 5x20 1A | Fuse 5x20 1A | | |
| 33 | 75.2010.11 | OKT733 | Nullleiterklemme 4mm ² blau | Neutral wire terminal 4mm ² blue | | |
| 34 | 75.2010.10 | OKT734 | Reihenklemme 4mm ² grau | Terminal block 4mm ² grey | | |
| 35 | 75.2010.12 | OT2598 | Abschlusswand | Cover | | |
| 36 | 76.9647 | OG4135 | Relais 120 V | Relay 120 V | UL | |
| 37 | 712 344362.13 | OG7133 | Sicherung 5x20 6.3A 250V SPT | Fuse 5x20 6.3A 250V SPT | UL | |
| 38 | 75.2012.01 | OK5155 | Sicherungsklemme | Fuse holder terminal | UL | |
| | 75.2012.02 | OT2599 | Abschlusswand zu Sicherungsklemme | Cover for fuse holder terminal | UL | |
| 39 | 712 344362.02 | OG7132 | Sicherung 5x20 2.5A | Fuse 5x20 2.5A | | |
| 40 | 76.9011.01 | * | Klemmschiene | Clamp rail | | |
| | 76.9117.05 | OG5927 | T-Litze Haupterd draht | Litz wire earthing | | |
| | 879069 | OG5950 | Kabel: COP20 - 5789DBC | Cable: COP20 - 5789DBC | | |
| | 879037 | OG5923 | Litze N - Trafo - P | Litz wire N - Trafo - P | | |
| | 879107 | OG7545 | Kabel: COP20 - 579DBC - Ventil Honeywell | Cable: COP20 - 579DBC - Valve Honeywell | | |
| | 879070 | OG6378 | Kabel: Trafo - 579DBC - Ventil | Cable: Trafo - 579DBC - Valve | | |
| | 879090 | OG6375 | Kabel: COP20 - X2 - STB | Cable: COP20 - X2 - Limiter | | |
| | 879153 | OG7546 | Kabel: UL COP20 - 579DBC | Cable: UL COP20 - 579DBC | UL | |
| | 879154 | OG7149 | Kabel: UL N - Trafo - P | Cable: UL N - Transformer - P | UL | |
| | 879155 | OG7547 | Kabel: UL DBC579-Trafo-Ventil | Cable: UL DBC579 - Transformer - Valve | UL | |
| | 879157 | OG7548 | Kabel: UL COP20-X2-STB | Cable: UL COP20 - X2 - Limiter | UL | |
| | 87.7142 | * | Ferrit gegen Störungen bei hohen Frequenzen | Ferrite against high frequency noise | | 7061... |

* Components on demand
* Teile auf Anfrage

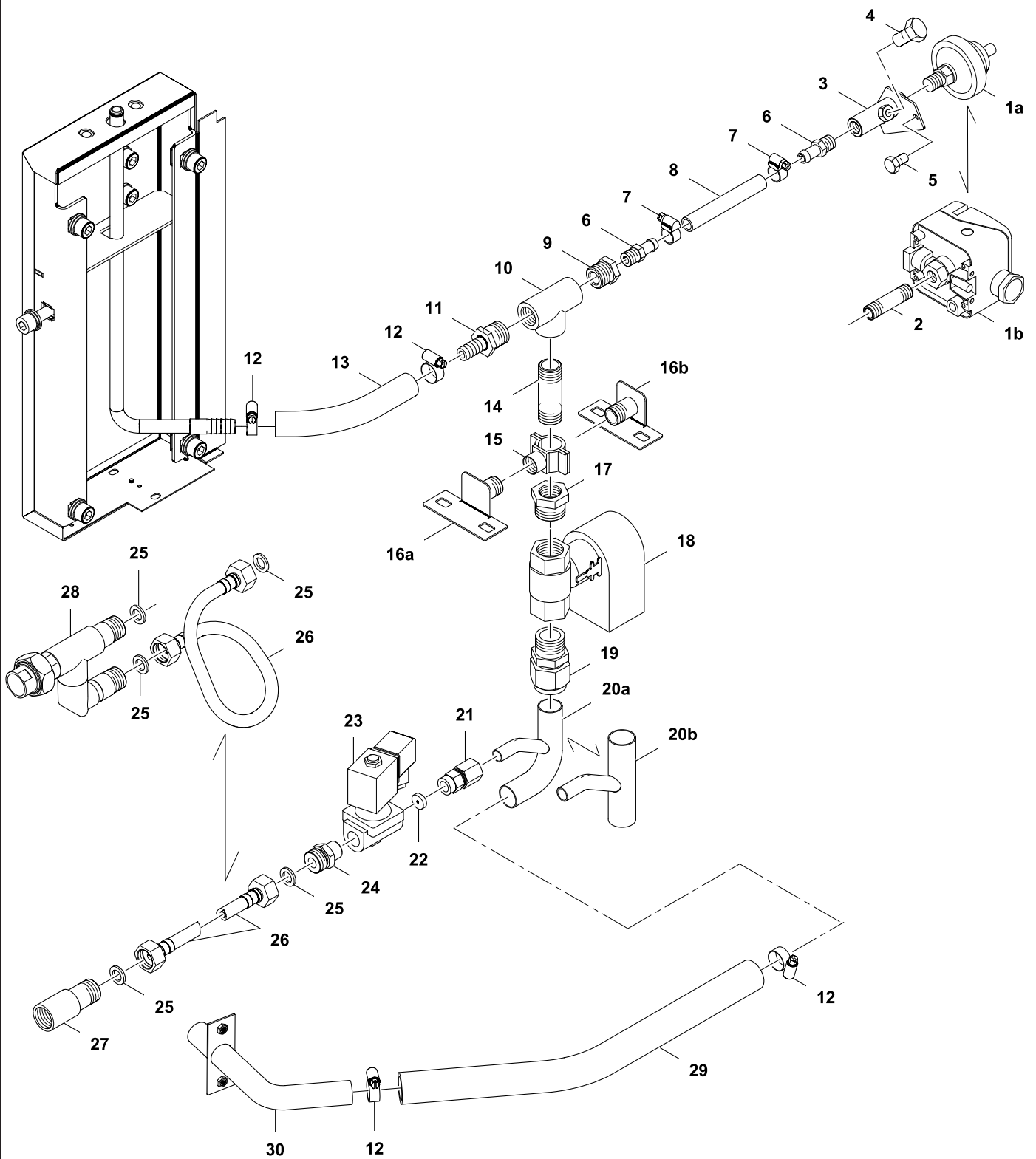


| 9 | Alias | Code | Bezeichnung | Description | Ref. | Valid from Serial N° |
|----|------------|--------|---|--|----------|----------------------|
| | 879140.09 | OG7549 | Kippsteuerung kompl. 230 VAC Gas | Titling control assembled 230 VAC Gas | Standard | 3401... |
| | 879140.05 | OG7566 | Kippsteuerung kompl. 120V | Titling control assembled 120 | UL | 3401... |
| 1 | 879116 | OG6266 | Kippsteuerung 7CA24VE1 SIR | Titling control 7CA24VE1 SIR | Standard | 3401... |
| | 879181 | OG7442 | Kippsteuerung 7CA24VE1 SIR UL | Titling control 7CA24VE1 SIR UL | UL | |
| 2 | 75.5000.05 | OG4212 | Distanzhalter | Spacer | | |
| 3 | 879133 | * | Halter Kippsteuerung | Support tilting control | | 3401... |
| 4 | 1 701 2567 | 0KE185 | Sechskantschraube M5x20 | Hex bolt M5x20 | | |
| 5 | 1 701 7002 | OG2923 | Fächerscheibe M5 | Fan washer M5 | | |
| 6 | 1 701 3008 | OG6111 | Sechskantmutter M5x0.8D | Hex nut M5x0.8D | | |
| 7 | 879121 | OG6273 | Transformator 230V AC 24VDC | Transformer 230V AC 24VDC | Standard | |
| | 879142 | OG7443 | Transformator 120V AC 24VDC | Transformer 120V AC 24VDC | UL | |
| 8 | 1 701 3502 | OG3595 | Unterlegscheibe M4 | Washer | | |
| 9 | 1 701 5002 | OKL273 | Federring M4 | Spring washer | | |
| 10 | 1 701 2023 | OG6863 | Zylinderschraube M4x12 | Allen screw | | |
| 11 | 1 115 1783 | OG6228 | Netzfilter FN2060 | Filter FN2060 | | |
| | 879119 | OG6391 | Kabel: Trafo - Steuerelektronik (ohne Filter) | Cable: tranformer - tilt control (no EMC filter) | Standard | |
| | 879159 | OG7567 | Kabel: Trafo- Kippsteuerung UL | Cable: transformer - tilt control UL | UL | |
| | 879183 | OG7550 | Kabel: X2 - Kippung ohne Filter | Cable: X2 - tilting no filter | Standard | |
| | 879160 | OG7153 | Kabel UL: X2 - Kippung | Cable UL: X2 - tilting | UL | |
| | 879093 | OG6376 | Kabel: X0 - Netzfilter - X1 (PXXXXXG) | Cable: X0 -filter - X1 (PXXXXXG) | Standard | |
| | 87.7142 | * | Ferrit gegen Störungen bei hohen Frequenzen | Ferrite against high frequency noise | | 7061... |

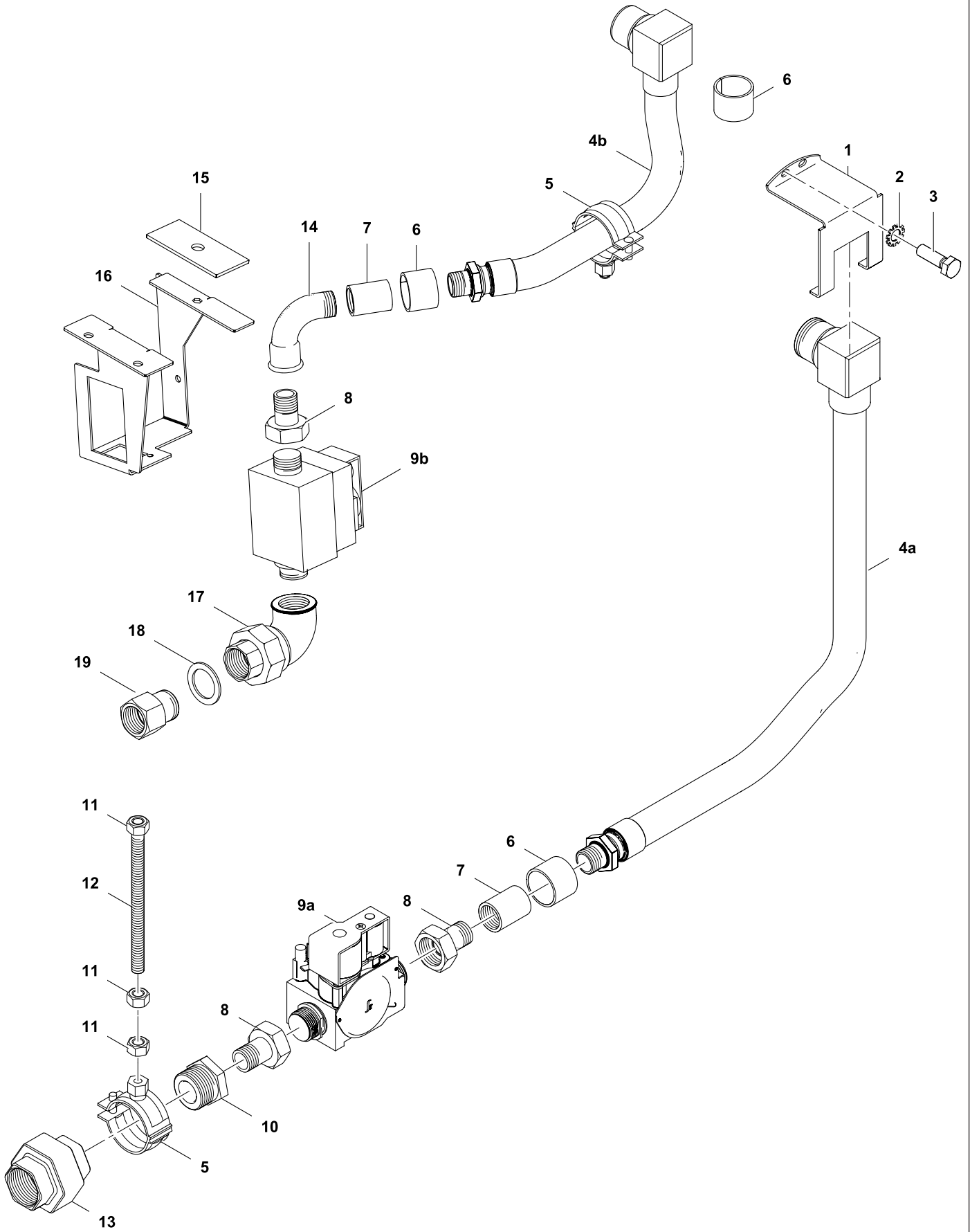


| 10 | Alias | Code | Bezeichnung | Description | Ref. | Valid from Serial N° |
|----|---------|--------|---------------------|----------------------|------|----------------------|
| 1 | 87.5700 | * | Tiegel geschweisst | Pan welded | 170L | |
| | 87.5736 | * | Tiegel geschweisst | Pan welded | 90L | |
| 2 | 87.9075 | OG5946 | TC Boden Sensor gas | TC bottom sensor gas | | |

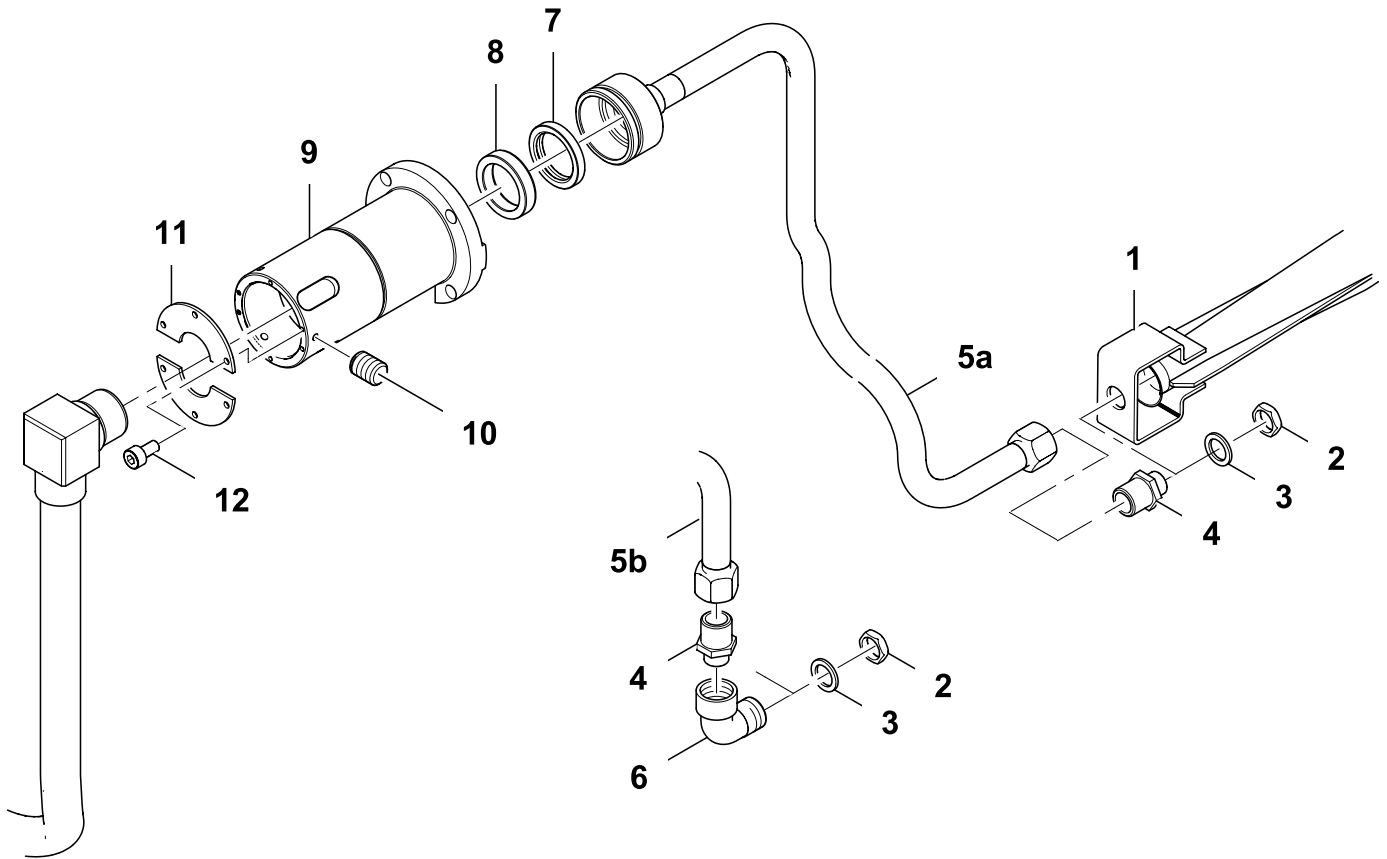
| 10 | Alias | Code | Bezeichnung | Description | Ref. | Valid from Serial N° |
|----|---------------|--------|---|--|------|----------------------|
| 3 | 76.6750 | 0G7551 | Fühlerabschirmblech | Sensor protection | | |
| 4 | 712 044120.05 | 0G3998 | Keps-Mutter M5 | Keps nut M5 | | |
| 5 | 712 044120.06 | 0G3997 | Keps-Mutter M6 | Keps nut M6 | | |
| 6 | 76.4169 | 0G2819 | Halter Begrenzer | Support Limiter | | |
| 7 | 879147.01_KD | 0G6280 | Sensor TC Kochgut, gelb | TC sensor food, yellow | | |
| | 86.9084.01 | 0G5911 | Sensor TC Kochgut, gelb | TC sensor food, yellow | | 2151.... |
| 8a | 87.4058 | 0G7124 | Fühlerhalter | Sensor Support | | |
| 8b | 76.4629 | 0G2936 | Fühlerhalter | Sensor Support | | |
| 9 | 76.4191 | 0G3087 | Halter zu Kochgutfühler klein | Support for food sensor, small | | |
| 10 | 879147.02 | 0G6360 | Sensor TC Kochgut, rot | TC sensor food, red | | |
| | 86.9084.02 | 0G6360 | Sensor TC Kochgut, rot | TC sensor food, red | | 3511... |
| 11 | 1 701 1041 | 0G6969 | Schraube M4x6 | Screw M4x6 | | |
| 12 | 72.7859 | 0C5340 | Glas-Kit | Glass Kit | | |
| 13 | 72.7858 | 057402 | Dichtung | Seal | | |
| 14 | 1 701 3016 | 0G5739 | Sechskantmutter M6 | Hex nut M6 | | |
| 15 | 1 701 3545 | 0K1298 | Unterlegscheibe M6 | Washer M6 | | |
| 16 | 1 701 5007 | 0G6058 | Federscheibe M6 | Spring washer M6 | | |
| 17 | 76.9117.07 | 0G5933 | Kabel: Haupterd draht 10mm ² | Cable: Main earthing 10mm ² | | |
| 18 | 87.5740 | 0G7552 | Brennerkammer | Combustion chamber | 90L | |
| | 87.5713 | 0G7553 | Brennerkammer | Combustion chamber | 170L | |
| 19 | 87.5746 | 0G7554 | Kollektor | Collector | 90L | |
| | 87.5730 | 0G6993 | Kollektor | Collector | 170L | |
| 20 | 87.4763 | 0G7555 | Abschirmblech | Cover sheet | 90L | |
| | 87.4724 | 0G7556 | Abschirmblech | Cover sheet | 170L | |
| 21 | 87.4729 | 0G7557 | Abschirmblech klein | Small cover sheet | | |
| 22 | 712 044120.06 | 0G3997 | Keps-Mutter M6 | Keps nut M6 | | |
| 23 | 87.4790 | 0G7558 | Stützwinkel | Support angle | | |
| 24 | 87.3725 | 0G7781 | Gasbrenner | Gas burner | 90L | |
| | 87.3718 | 0G6163 | Gasbrenner | Gas burner | 170L | |
| 25 | 87.3716 | 0G7559 | Einstellblech | Adjustment plate | | |
| 26 | 1 701 3547 | 0G5469 | Unterlegscheibe M8 | Washer M8 | | |
| 27 | 87.3726 | 0G7560 | Halter Zündung | Ignition support | | |
| 28 | 87.3723 | 0G7561 | Zünderhalter | Ignition electrodes support | | |
| 29 | 87.9067 | 0G5949 | Zünderelektroden | Ignition electrodes | | |
| 30 | 1 701 2019 | 0G4175 | Schraube M4x8 | Screw M4x8 | | |
| 31 | 87.3710 | 0G7562 | Zünderbox | Ignition box | | |
| 32 | 87.5743 | 0G7563 | Abschluss Brennerkammer | Cover gas burner | 90L | |
| | 87.5727 | 0G7564 | Abschluss Brennerkammer | Cover gas burner | 170L | |
| 33 | 87.4754 | 0G7565 | Mischrohrabdeckung | Mixing pipe cover | 90L | |
| | 87.4703 | 0G7578 | Mischrohrabdeckung | Mixing pipe cover | 170L | |
| 34 | 12.1980 | 0G4391 | U-Scheibe ø5,3 x Ø15 x 1,2 | Washer ø5,3 x Ø15 x 1,2 | | |
| 35 | 1 701 2507 | 0G4653 | Schraube M5x10 | Screw M5x10 | | |
| 36 | 87.5745 | 0G7579 | Bodenblech | Bottom panel | 90L | |
| | 87.5717 | 0G7580 | Bodenblech | Bottom panel | 170L | |
| 37 | 1 701 7536 | 0G6084 | Blechschrabe 4,8x16 | Tapping screw 4,8x16 | | |
| 38 | 712 044121.01 | 0G3647 | Steckmutter 4,8 | Plug in nut 4,8 | | |
| 39 | 76.8736 | 0G7581 | Abgasrost | Combustion grid | 90L | |
| | 76.8704 | 0G5283 | Abgasrost | Combustion grid | 170L | |
| 40 | 87.5723.01 | 0G7582 | Kamin | Chimney | 90L | |
| | 87.5723.02 | 0G7583 | Kamin | Chimney | 170L | |
| 41 | 1 701 2544 | 0T1796 | Schraube M10x40 | Screw M10x40 | | |
| 42 | 1 701 3542 | 0G7245 | U-Scheibe M10 | Washer M10 | | |
| 43 | 76.8768 | 0G7584 | Distanzhülse | Spacer | | |
| 44 | 1 701 3014 | 0G5618 | Sechskantmutter M6 | Hex nut M6 | | |
| 45 | 712 044120.06 | 0G3997 | Keps-Mutter M6 | Keps nut M6 | | |
| 46 | 76.6743.01 | 0G7585 | Kaminhalter unten links | Chimney support lower left | | |
| | 76.6743.02 | 0G7586 | Kaminhalter unten rechts | Chimney support lower right | | |
| | 1 201 1510 | 0G6854 | Wärmeleitpaste RTP1 | Heat conducting paste RTP1 | | |



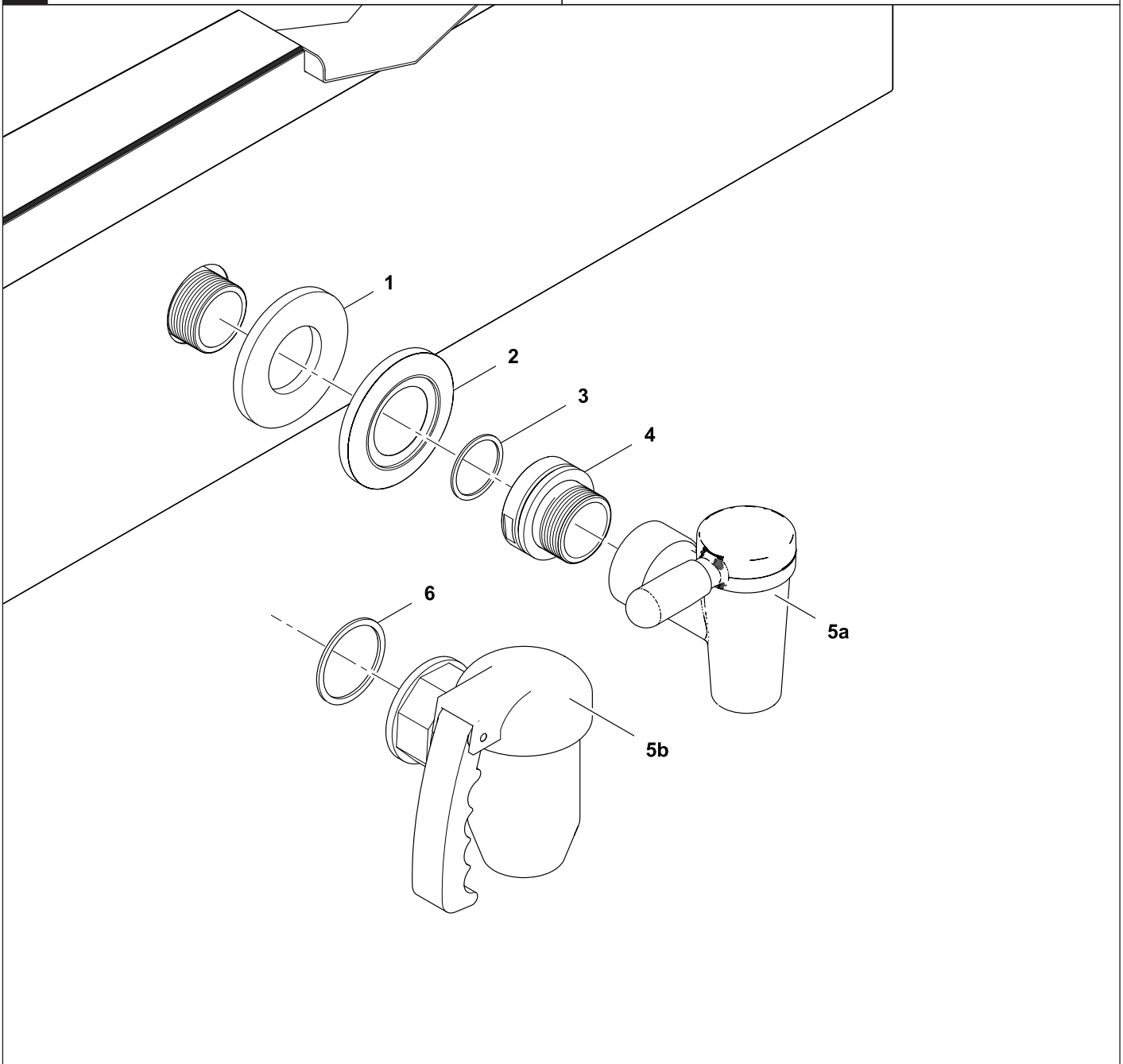
| 11 | Alias | Code | Bezeichnung | Description | Ref. | Valid from Serial N° |
|-----|---------------|--------|-----------------------------------|-----------------------------------|----------------|----------------------|
| 1a | 75.1002 | OK4928 | Druckschalter | Pressure switch | Standard | |
| 1b | 879194 | OG6933 | Druckschalter UL | Pressure switch UL | UL | |
| 2 | 1 116 1154 | OG2407 | Doppelnippel 1/4" x 50 | Double nipple 1/4" x 50 | UL | |
| 3 | 87.5078 | * | Prüfanschluss | Testing connection | | |
| 4 | 1 701 2582 | OT1775 | Sechskantschraube M8x12 | Hex bolt M8x12 | | |
| 5 | 1 701 1069 | OG6959 | Flachkopfschraube M5x12 | Flat head screw M5x12 | | |
| 6 | 86.5213 | OG5497 | Einschraubtülle | Hose clip connector | | |
| 7 | 12.9924 | OG2824 | Schlauchschelle | Hose clamp | | |
| 8 | 12.9043 | OK5361 | Schlauch ø10 Ø14 | Hose ø10 Ø14 | | |
| 9 | 1 102 2468 | OG6234 | Überschnittbuchse 1/2" - 1/4" | Hex head bushing 1/2" - 1/4" | | |
| 10 | 1 102 2435 | OG7145 | T-Stück G1/2" | Tee G1/2" | | |
| 11 | 1 701 7558 | OG7135 | Schlauchnippel 1/2" | Hose nipple 1/2" | | |
| 12 | 12.9827 | OG2823 | Schlauchklemme | Hose clamp | | |
| 13 | 87.5079 | | Dampfschlauch | Steam hose | | |
| 14 | 1 116 1133 | OG4513 | Doppelnippel 1/2"x60 | Double nipple 1/2"x60 | | |
| 15 | 1 201 2189 | * | Rohrklammer Ø20-23 | Pipe clamp Ø20-23 | | |
| 16a | 87.5082 | * | Grundplatte mit Muffe | Metal plate with bushing | H700/800 | |
| 16b | 87.5189 | * | Grundplatte mit Muffe | Metal plate with bushing | H400 | |
| 17 | 1 116 1199 | OG4370 | Überschnittbuchse 3/4" - 1/2" | Hex head bushing 3/4" - 1/2" | | |
| 18 | 86.7016.KD | OG5674 | Kugelventil Gruner 230V | Ball valve Gruner 230V | Standard | |
| | 879165 | OG7157 | Kugelventil Gruner 240V UL | Ball valve Gruner 240V UL | UL | |
| 19 | 1 101 3823 | OG5498 | Verschraubung | Fitting | | |
| 20a | 86.5259.02 | * | Kühlrohr | Cooling pipe | H400 | |
| 20b | 86.5259.01 | * | Kühlrohr | Cooling pipe | H700/800 | |
| 21 | 1 101 2148 | OG5499 | Gerade Verschraubung | Straight fitting | | |
| 22 | 86.5211 | OG5502 | Blende Kühlwasser Ø14.8/2.5x4 | Nozzle Cooling water Ø14.8/2.5x4 | | |
| 23 | 76.3048 | OK5342 | Magnetventil mit Spule | Solenoid valve and coil | | |
| 24 | 87.4745 | OG7594 | Nippel 1/2"-3/8" | Nipple 1/2"-3/8" | | |
| 25 | 712 044481.21 | OG3610 | Flachdichtung Ø18Ø11x2 | Flat seal Ø18Ø11x2 | | |
| 26 | 86.7135.04 | OG7137 | Panzerschlauch G1/2" - G1/2" x400 | Armored hose G1/2" - G1/2" x400 | | |
| 27 | 87.5168 | OG6646 | WFA Adapter | WFA adapter | | |
| 28 | 87.5226 | OG7138 | Adapter Wandanschluss | Adapter for wall connection | with mixer tap | |
| 39 | 1 117 1119 | OK4573 | Schlauch Ø29 ø22 | Hose Ø29 ø22 | | |
| 30 | 87.1492 | OG7124 | Rohrbogen | Bended pipe | | |
| | 879007 | OG6380 | Kabel: COP20 - Dampfvernichter | Cable: COP20 - Steam condensation | | |



| 12 | Alias | Code | Bezeichnung | Description | Ref. | Valid from Serial N° |
|----|---------------|--------|----------------------------------|----------------------------------|-----------|----------------------|
| 1 | 76.0266 | * | Verdrehsicherung | Locking device | all types | |
| 2 | 1 701 7002 | OG2923 | Fächerscheibe M5 | Fan washer M5 | all types | |
| 3 | 1 701 2579 | OG4020 | Sechskantschraube M5x16 | hex bolt M5x16 | all types | |
| 4a | 76.2706.02 | OKD848 | Gasleitung | Gas line | Standard | |
| 4b | 76.2706.01 | OKD847 | Gasleitung | Gas line | USA | |
| 5 | 1 201 2018.01 | OG5895 | Rohrschelle M8/10 x 25-28 | Pipe clamp M8/10 x 25-28 | all types | |
| 6 | 75.9011.03 | OG7587 | Rohrleitungsband gelb | Pipe tape yellow | all types | |
| 7 | 712 344852.24 | OG6841 | Gewindemuffe 1/2"x34 R-210 | Connection 1/2"x34 R-210 | all types | |
| 8 | 712 344869.24 | OG2784 | Verschraubung G3/4" - G1/2" | Fixation G3/4" - G1/2" | all types | |
| 9a | 1 105 1260 | OG2763 | Gasventil SIT SIGMA 0840030 230V | Gas valve SIT SIGMA 0840030 230V | Standard | |
| 9b | 87.9164 | OG6696 | Gasventil SIT SIGMA 0840069 120V | Gas valve SIT SIGMA 0840069 120V | USA | |
| 10 | 1 117 1248 | OG7588 | Überschnittbuchse 1" - 1/2" | Hex head bushing 1" - 1/2" | Standard | |
| 11 | 1 701 3027 | OT1781 | Sechskantmutter M10x0,8D | Hex nut M10x0,8D | Standard | |
| 12 | 76.8766 | OG7589 | Gewindestange M10x150mm | Threaded rod M10x150mm | Standard | |
| 13 | 1 102 2394 | OG6385 | Verschraubung GF 340 | Connection GF 340 | Standard | |
| 14 | 1 102 2399 | OG3619 | Winkelverschraubung 1/2" | Elbow connector 1/2" | USA | |
| 15 | 76.3621 | OG7590 | Montageblech | Mounting plate | USA | |
| 16 | 87.4823 | OG7591 | Ventilhalterung | Valve support | USA | |
| 17 | 87.3758 | OG7592 | Winkelverschraubung 3/4" | Elbow connector 3/4" | USA | |
| 18 | 712 044481.09 | OG0018 | Flachdichtung Ø 38/27 | Flat seal Ø 38/27 | USA | |
| 19 | 87.2778 | OG7593 | R-422 Übergang NPT/ZOLL 3/4" | R-422 Connector NPT/ZOLL 3/4" | USA | |

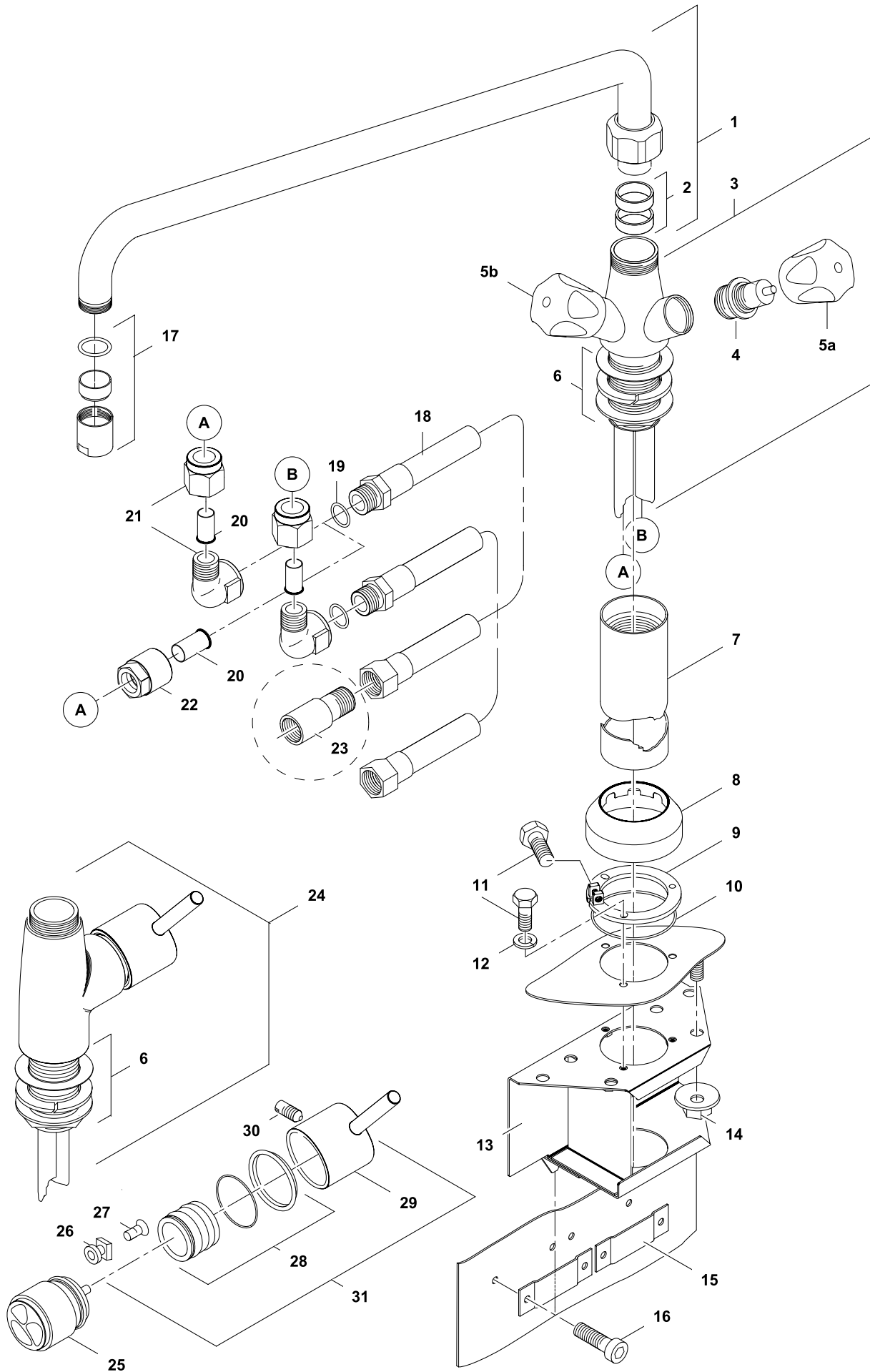


| 13 | Alias | Code | Bezeichnung | Description | Ref. | Valid from Serial N° |
|----|---------------|--------|------------------------------------|------------------------------------|------|----------------------|
| 1 | 87.3718 | 0G6163 | Gasbrenner komplett 150 | Gas burner 150 | 170L | |
| | 87.3725 | 0G7781 | Gasbrenner komplett 060/090 | Gas burner 060/090 | 90L | |
| 2 | 87.4749 | 0G6909 | Mutter D3/8" | Nut D3/8" | | |
| 3 | 712 044481.21 | 0G3610 | Flachdichtung Ø 18/11 | Flat seal Ø 18/11 | | |
| 4 | 87.4745 | 0G7594 | Verschraubung 3/8" - 1/2" | Connector 3/8" - 1/2" | | |
| 5a | 87.4746.06 | 0G7595 | Einbauleitung im Gerät | Built-in gas line | 170L | |
| 5b | 87.4746.05 | 0G7596 | Einbauleitung im Gerät | Built-in gas line | 90L | |
| 6 | 1 102 2414 | 0G5714 | Winkel MF A1/2" - I 1/2" | L- connector A1/2" - I 1/2" | 90L | |
| 7 | 76.3010 | 0K5597 | Radial Wellendichtung | Radial shaft seal | | |
| 8 | 76.1522 | 0G5578 | Lagerbuchse | Bearing sleeve | | |
| 9 | 76.4528 | 0G4126 | Lagerzapfen links | Bearing spigot left | | |
| 10 | 1 701 7091 | 0G3982 | Schraube Innensechskant M6x8 | Allen set screw M6x8 | | |
| 11 | 76.8066 | 0KT694 | Anschlag | Fixation | | |
| 12 | 1 101 8170 | 0G3250 | Zylinderkopfschraube I 6-kant M4x8 | Allen screw M4x8 | | |
| | 1 201 1983 | 0G5842 | UNI Silikon TK M 1011 Dose à 1kg | UNI Silicon TK M 1011 can size 1kg | | |

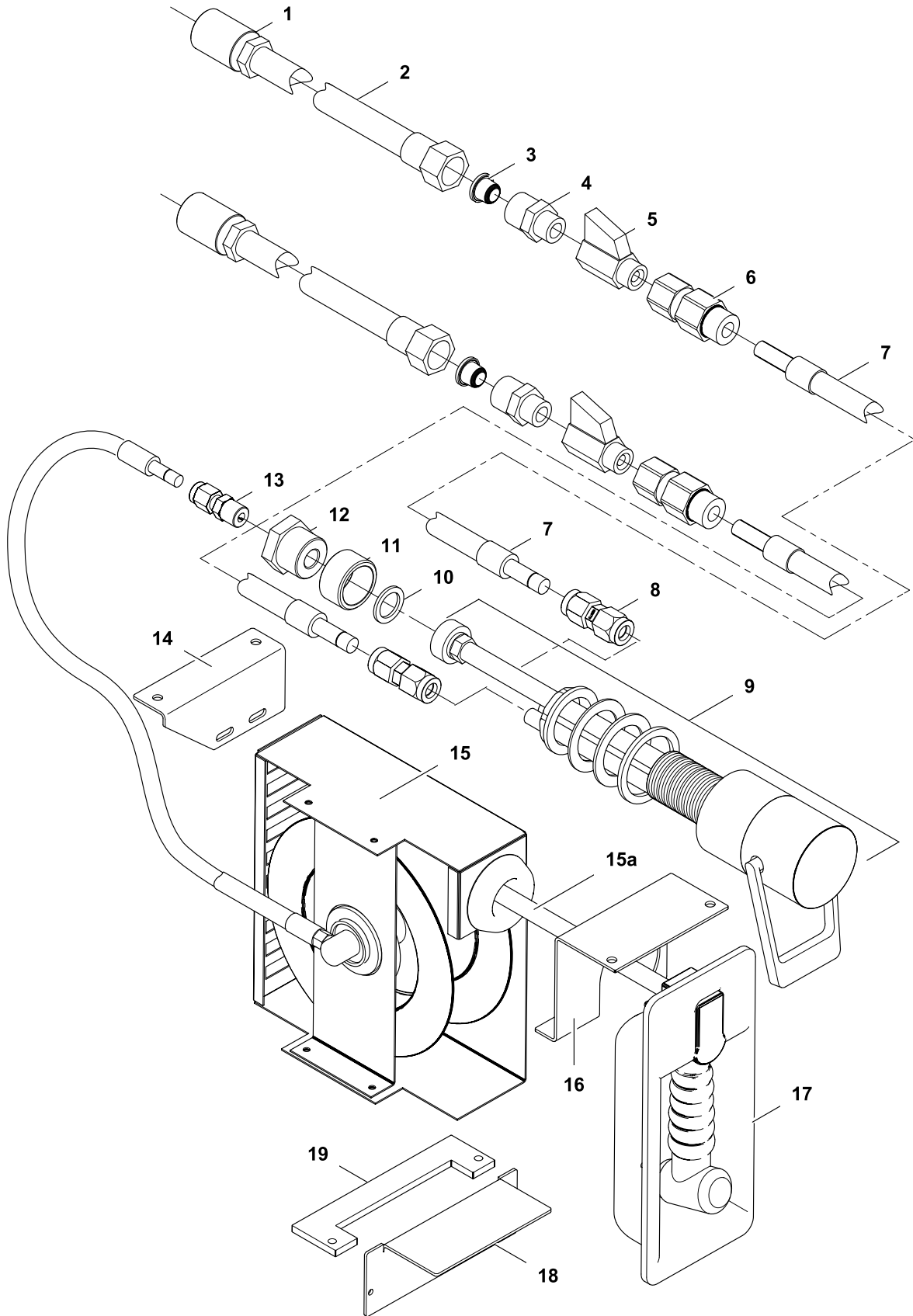


| 14 | Alias | Code | Bezeichnung | Description | Ref. | Valid from Serial N° |
|----|------------|--------|--|---------------------------------------|------|----------------------|
| 1 | 1 117 1289 | 0G5644 | Dichtung | Sealing | | |
| 2 | 1 117 1262 | 0A2149 | Rosette | Coverplate | | |
| 3 | 76.6240 | 0G5164 | Dichtung 49x57x2 | Sealing ring 49x57x2 | | |
| 4 | 76.6241 | 0G5165 | Übergang zu Kuplung | Connection to coupling | | |
| 5a | 87.7055 | 0G6498 | 2" Echtermann Auslaufhahn 6726.82 | 2" Echtermann food drain tap 6726.82 | | 4311... |
| 5b | 1 117 1258 | 0G5144 | 2" Rubinetterie Sicherheitsauslaufhahn | 2" Rubinetterie safety food drain tap | | 2011... |
| 6 | 1 101 2191 | 004986 | Dichtungsring Ø60 ø47 x 2 | Sealing ring Ø60 ø47 x 2 | | 2011... |
| | | | | | | |
| | | | | | | |
| | | | | | | |
| | | | | | | |
| | | | | | | |
| | | | | | | |
| | | | | | | |

* Components on demand
 * Teile auf Anfrage

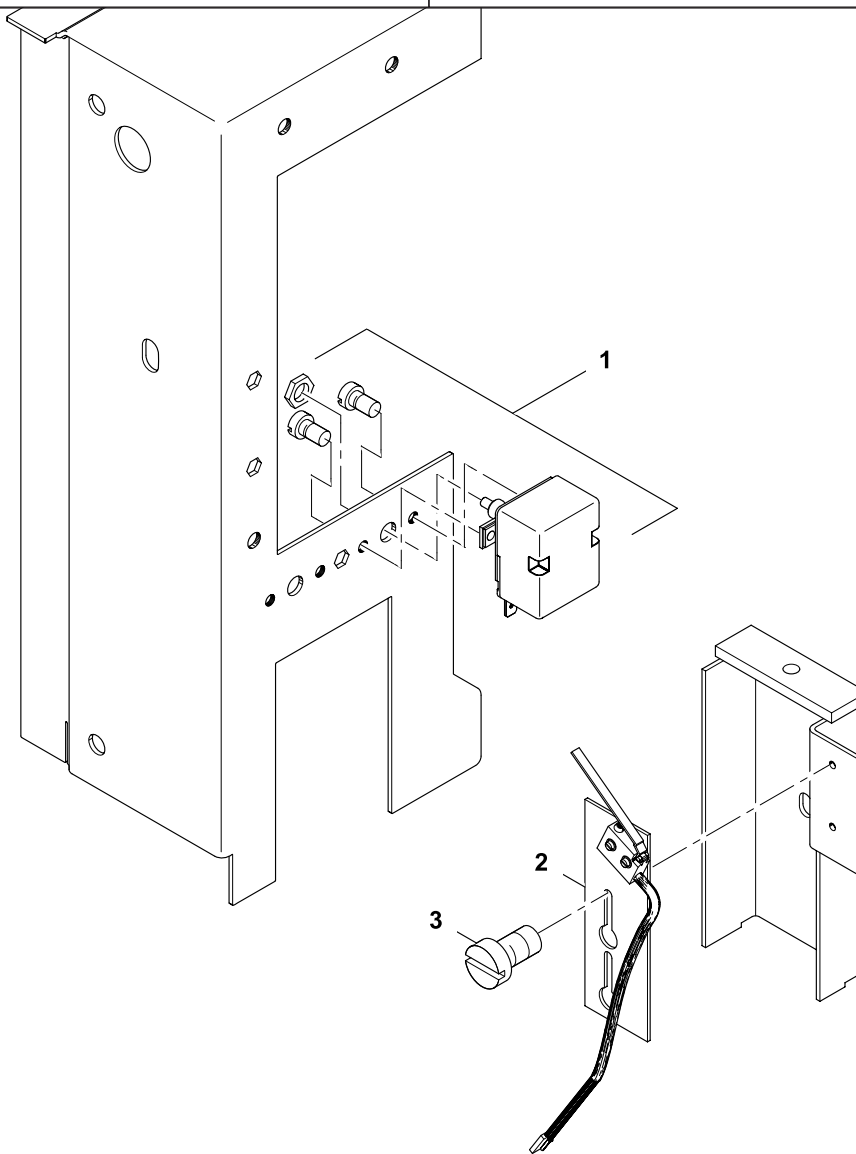


| 15 | Alias | Code | Bezeichnung | Description | Ref. | Valid from Serial N° |
|----|---------------|--------|--|--|------|----------------------|
| | 76.2013.01_KD | OKL304 | Kit Zweihebel-Mischbatterie 330x600mm Kit enthält Pos.: 1-16, 18-20, 22 | Kit mixing tap, 2 knobs, 330x600mm Kit contains pos.: 1-16, 18-20, 22 | | |
| 1 | 712 344884.04 | OK5360 | KWC Schwenkauslauf 3/4", 600mm | KWC swivel spout 3/4", 600mm | | |
| | 712 344884.03 | OK5358 | KWC Schwenkauslauf 3/4", 450mm | KWC swivel spout 3/4", 450mm | | |
| | 712 344884.02 | OK5359 | KWC Schwenkauslauf 3/4", 300mm | KWC swivel spout 3/4", 300mm | | |
| 2 | | OK3930 | Dichtungsringe | Sealing rings | | |
| 3 | 712 344884.01 | OK5355 | KWC Zweihebel-Mischbatterie | KWC Mixing tap, 2 knobs | | |
| 4 | | OK5357 | Ventileinsatz 3/4" | Valve insert 3/4" | | |
| 5a | | OK5826 | Griff blau | Knob blue | | |
| 5b | | OK5827 | Griff rot | Knob red | | |
| 6 | | OG3239 | Set Verschraubung 5/4" | Kit Fixation 5/4" | | |
| 7 | 72.5976.01 | OG5227 | Standrohr 460mm | Stand pipe 460mm | | |
| | 72.5976.02 | OG3179 | Standrohr 330mm | Stand pipe 330mm | | |
| | 72.5976.03 | OG4753 | Standrohr 160mm | Stand pipe 160mm | | |
| 8 | 72.0435 | OG3091 | Rosette zu Standrohr | Stand pipe collar | | |
| 9 | 72.5919 | OKT745 | Sicherungsring | Fixation ring | | |
| 10 | 712 044480.14 | OKT793 | O-Ring ORM 0530-20 | Joint ORM 0530-20 | | |
| 11 | 1 701 2632 | OG3677 | Sechskantschraube M4 x 16 | Hex bolt M4x16 | | |
| 12 | 1 701 5002 | OKL273 | Federring M4 | Spring washer M4 | | |
| 13 | 76.0119.01 | OT2658 | Konsole Mischbatterie | Console mixing tap | | |
| 14 | 712 044120.05 | OG3998 | Kepsmutter M5 | Keps nut M5 | | |
| 15 | 76.0033 | OG3979 | Hutprofil | Clamping profile | | |
| 16 | 1 101 8129 | OG3676 | Innensechskantschraube M5 x 16 | Allen bolt M5 x 16 | | |
| 17 | | OG3238 | Tropfenschutz 3/4" | Drip stop 3/4" | | |
| 18 | 712 344893.01 | OKW734 | Panzerschlauch L1700 G1/2" / R1/2" | Armored hose L1700 G1/2" / R1/2" | | |
| | 712 344893.02 | OK5363 | Panzerschlauch L1100 G1/2" / R1/2" | Armored hose L1100 G1/2" / R1/2" | | |
| | 712 344893.03 | OG6530 | Panzerschlauch L600 G1/2" | Armored hose L600 G1/2" | | |
| 19 | 712 044481.21 | OG3610 | Flachdichtung Ø 18/11x2 G1/2" | Flat seal Ø 18/11x2 G1/2" | | |
| 20 | 1 101 3797 | OKE129 | Stützhülse | Sleeve | | |
| 21 | 1 101 3798 | OK4489 | Winkel-Anschluss G1/2" | Angle connection G1/2" | | |
| 22 | 1 101 2075 | OKX119 | Anschluss G1/2" | Connection G1/2" | | |
| 23 | 87.5168 | OG6646 | WFA Adapter G1/2" | WFA Adapter G1/2" | | |
| 24 | 712 344884.05 | * | KWC Einhebel-Mischbatterie | KWC mixing tap, one lever | | |
| 25 | | OKI140 | Steuerpatrone | Mixer tap cartridge | | |
| 26 | Z.632.240 | KWC | Kunststoffeinsatz | Plastic insert | | |
| 27 | Z.602.997 | KWC | Schraube M4 x 15 | Screw M4 x 15 | | |
| 28 | Z.535.675 | KWC | Befestigung mit Gleitringen | Fixation with slide rings | | |
| 29 | Z.634.829 | KWC | Bedienhebel , chrom | Control lever, chrome | | |
| 30 | Z.605.952 | KWC | Gewindestift M6 x 10 | Set screw M6 x 10 | | |
| 31 | Z.535.674 | KWC | Bedienhebel mit Befestigung | Control lever with fixation | | |

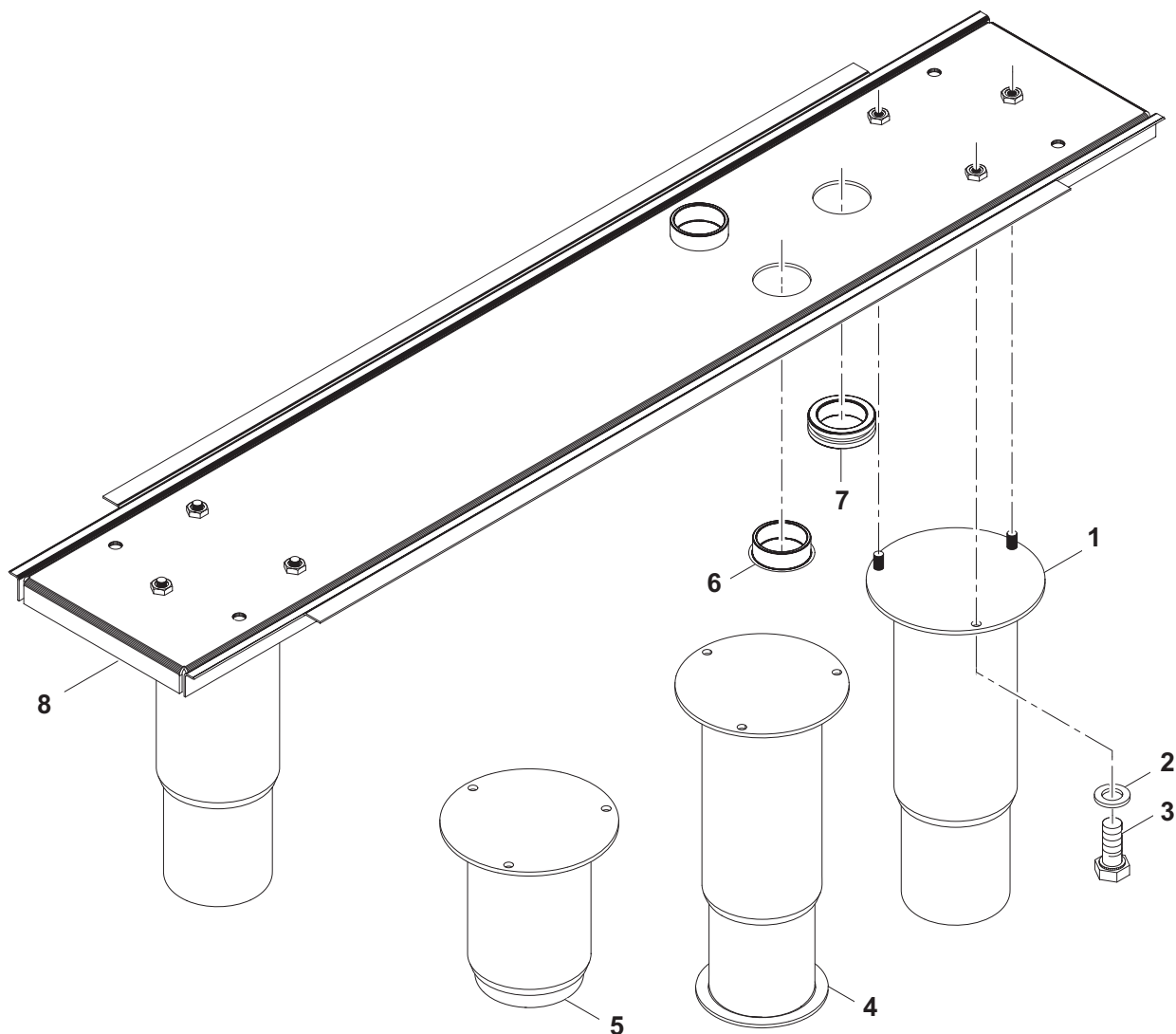


| 16 | Alias | Code | Bezeichnung | Description | Ref. | Valid from Serial N° |
|-----|---------------|--------|--|-----------------------------------|------|-------------------------|
| 1 | 712 344852.24 | OG6841 | Gewindemuffe 1/2" | Turnbuckle 1/2" | | |
| 2 | 712 344893.03 | OG6530 | Panzerschlauch L600 | Armored hose L600 | | |
| 3 | 1 701 2827 | OG6842 | Hutfilter 1/2-50/50 H12 | Filter insert 1/2-50/50 H12 | | |
| 4 | 1 116 1219 | OG6843 | Reduziernippel | Reduction nipple | | |
| 5 | 86.1086 | OG6844 | Kugelhahn mini 3/8" | Ball valve mini 3/8" | | |
| 6 | 86.1087 | OG6845 | Rückschlagventil 3/8" | Check valve 3/8" | | |
| 7 | 87.5147 | OG6846 | Schlauch Ø10 | Hose Ø10 | | |
| 8 | 1 101 2156 | OG6847 | Gerade Verschraubung mit Rohranschluss | Straight pipe fitting | | |
| 9 | 86.7120 | OG6839 | Einhebelmischer | One-lever mixer tap | | |
| 10 | 712 044481.04 | OG3951 | Flachdichtung Ø24x17x2 | Flat sealing | | |
| 11 | 1 116 1156 | OG6848 | Muffe halb 3/4" - 1/4" | Turnbuckle 3/4" - 1/4" | | |
| 12 | 1 117 1296 | OG6851 | Buchse 3/4" - 1/4" | Hex bushing 3/4" - 1/4" | | |
| 13 | 1 101 3901 | OKT947 | Verschraubung mit Einschraubnippel | Pipe fitting with threaded nipple | | |
| 14 | 87.4035 | * | Halter Spray Gun oben | Upper spray gun support | | |
| 15 | 86.7123 | OG5969 | Spray Gun | Spray gun | | |
| 15a | 87.7068 | OG6579 | Schlauch EPDM zu Spray Gun | Hose EPDM for spray gun | | |
| 16 | 87.5152 | * | Halter Spray Gun oben (H400) | Upper Spray gun support (H400) | H400 | |
| 17 | 86.7124 | OG7860 | Frontblende Spray Gun | Front panel spray gun | | |
| 18 | 87.4034 | * | Halter Spray Gun unten (H700) | Lower spray gun support (H700) | H700 | |
| 19 | 87.1270 | * | Halter Spray Gun unten (H800) | Lower spray gun support (H800) | H800 | |
| | | | | | | |
| | | | | | | |
| | | | | | | |
| | | | | | | |
| | | | | | | |
| | | | | | | |
| | | | | | | |
| | | | | | | |
| | | | | | | |
| | | | | | | |
| | | | | | | |
| | | | | | | |
| | | | | | | |
| | | | | | | |
| | | | | | | |
| | | | | | | |
| | | | | | | |
| | | | | | | |
| | | | | | | |
| | | | | | | |
| | | | | | | |
| | | | | | | |
| | | | | | | |
| | | | | | | |
| | | | | | | |
| | | | | | | |
| | | | | | | |
| | | | | | | |
| | | | | | | |
| | | | | | | |
| | | | | | | |
| | | | | | | |
| | | | | | | |
| | | | | | | |
| | | | | | | |
| | | | | | | |
| | | | | | | |
| | | | | | | |

* Components on demand
 * Teile auf Anfrage



| 17 | Alias | Code | Bezeichnung | Description | Ref. | Valid from Serial N° |
|----|------------|--------|-------------------------------|----------------------------|----------|----------------------|
| 1 | 75.0010 | 0H9835 | Kapillarrohrbegrenzer | Limiter | | |
| 2 | 879092 | 0G6381 | Kabel mit Mikroendschalter | Cable with mirco switch | Standard | |
| | 879195 | 0G7154 | Kabel mit Mikroendschalter UL | Cable with mirco switch UL | UL | |
| 3 | 1 701 1541 | 0G3674 | Schraube M4x10 | Screw M4x10 | | |
| | | | | | | |
| | | | | | | |
| | | | | | | |
| | | | | | | |
| | | | | | | |
| | | | | | | |
| | | | | | | |
| | | | | | | |
| | | | | | | |
| | | | | | | |
| | | | | | | |
| | | | | | | |



| 18 | Alias | Code | Bezeichnung | Description | Ref. | Valid from Serial N° |
|----|---------------|--------|-----------------------------|-------------------------------|--------------------|----------------------|
| 1 | 72.4249 | 059218 | Stellfuss 2" H200 | Adjustible feet 2" H200 | Standard + UL H700 | |
| 2 | 1 701 5004 | 0H9734 | Federscheibe M5 | Spring washer M5 | | |
| 3 | 1 701 2509 | 0K4598 | Sechskantschraube M5x12 | Hex bolt M5x12 | | |
| 5 | 72.4344 | 0G2948 | Stellfuss 2" H100 | Adjustible feet 2" H100 | Standard H800 | |
| 6 | 1 201 1925 | 0G7248 | Abdeckkappe | Cover cap | | |
| 7 | 712 044961.17 | 0KT854 | Kabeltülle Ø25 Ø31 Ø35 x 10 | Cable sleeve Ø25 Ø31 Ø35 x 10 | | |
| 8 | 76.0170.01 | 0G7891 | Bodenplatte kpl | Base panel cpl. | | |
| | | | | | | |
| | | | | | | |
| | | | | | | |
| | | | | | | |
| | | | | | | |
| | | | | | | |
| | | | | | | |
| | | | | | | |
| | | | | | | |
| | | | | | | |
| | | | | | | |
| | | | | | | |
| | | | | | | |

* Components on demand
* Teile auf Anfrage

PUET09 (18.0 kW) Pro Thermetic line

DÜSNLISTE PUET09 Gas

Nozzle list PUET09 Gas

Alias-Code 87.5762

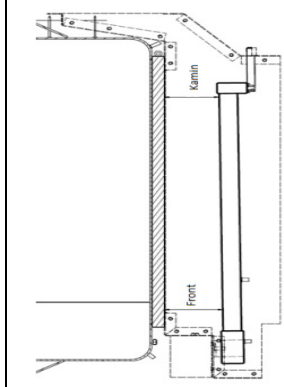
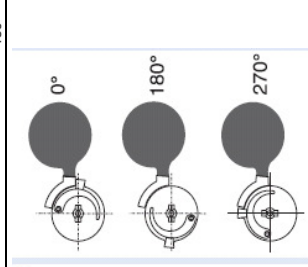
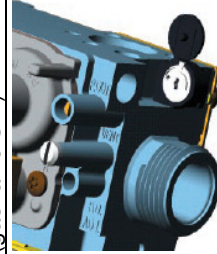
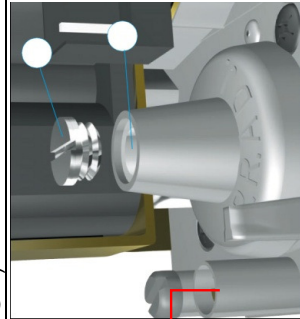
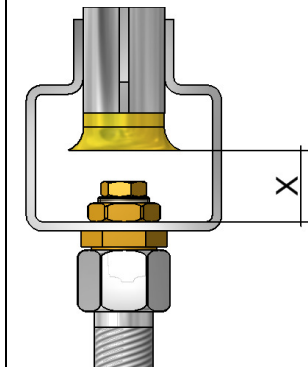
| A: Type of gas | B: Nominal pressure | C: category | D: Main flame | | E: Setting mixing tube Distance X | F: Pressure regulator mbar | G: SLOW OPENING degree | H: Burner distance chimney | | Gas consumption Lt/Min 956.5 mbar Baro / 20°C (Sursee Allmendstr.) | | |
|-----------------------------------|------------------------|----------------|------------------|-----|---|----------------------------------|------------------------------|-------------------------------|----|--|---------------|-------|
| | | | mm | No. | | | | front | 71 | Min | Nominal Value | Max |
| 1 Natural gas H | 18-20 / 20 | 2H | 3.90 | | 18 | 10.0 | 270° | 76 | 71 | 30.99 | 32.62 | 34.25 |
| 2 Natural gas E | 20 | 2E | 3.90 | | 18 | 10.0 | 270° | 76 | 71 | 30.99 | 32.62 | 34.25 |
| 3 Natural gas H / L* Druckpaar | 20 / 25 | 2+ | 3.30 | | 15 | max | 270° | 76 | 71 | 30.68 | 32.30 | 33.91 |
| 4 Natural gas L | 25 | 2L | 3.90 | | 15 | 15.0 | 270° | 76 | 71 | 35.86 | 37.75 | 39.64 |
| 5 Natural gas LL | 20 | 2LL | 3.90 | | 15 | 15.0 | 270° | 76 | 71 | 35.86 | 37.75 | 39.64 |
| 6 | 30 | 3P | 2.30 | | 14 | max | 270° | 76 | 71 | 11.74 | 12.36 | 12.98 |
| 7 Propane | 37 | 3P | 2.20 | | 15 | max | 270° | 76 | 71 | 11.66 | 12.28 | 12.89 |
| 8 | 50 | 3P | 2.20 | | 15 | 36 | 270° | 76 | 71 | 11.68 | 12.29 | 12.90 |
| 9 Butane/Propane* | 28 - 30 | 3B/P | 2.20 | | 15 | max | 270° | 76 | 71 | 8.91 | 9.38 | 9.85 |
| 10 | 50 | 3B/P | 2.20 | | 15 | 28 | 270° | 76 | 71 | 8.92 | 9.39 | 9.86 |
| 11 Butane/Propane* | 28-30 / 37 | 3+ | 2.20 | | 15 | max | 270° | 76 | 71 | 8.91 | 9.38 | 9.85 |
| 12 Druckpaar | 50 / 67 | 3+ | | | | Not possible | | | | | | |

E: (distance X)

F: Servo-Pressure Regulator
(clockwise = +)
(gasvalve SIT)

G: SLOW OPENING
(clockwise = +)
(gasvalve SIT)

H: burner distance



* test gas (NPG): at pressure pair category 2+ = gas H (G20); at pressure pair category 3+ = butane (G30) ; at category 3 B/P = butane (G30)

Neuteil

A

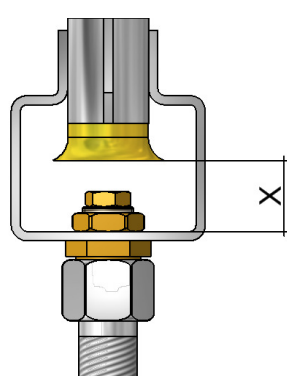
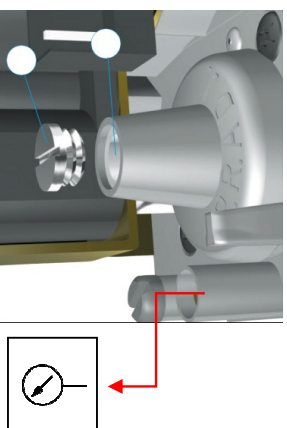
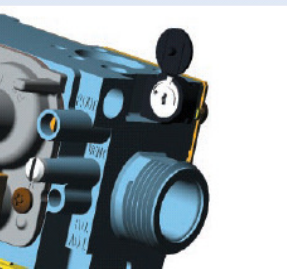
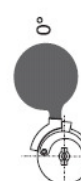


Gasverbrauch hinzugefügt

B

Alias-Code 87.5763

PUET17 (29.0 kW) Pro Thermetic line

| A: Type of gas | B: Nominal pressure | C: category | D: Main flame | | E: Setting mixing tube Distance X | F: pressure regulators mbar | G: SLOW OPENING degree | H: burner distance chimney | | Gas consumption Lt/Min 956.5 mbar Baro / 20°C (Sursee Allmendstr.) | |
|-----------------------------------|------------------------|----------------|------------------|-----|---|-----------------------------------|------------------------------|-------------------------------|-----|--|-------|
| | | | mm | No. | | | | Front | Max | Min | Max |
| 1 Natural gas H | 18-20 / 20 | 2H | 4.85 | | 15 | 10.0 | 270° | 76 | 71 | 49.43 | 54.63 |
| 2 Natural gas E | 20 | 2E | 4.85 | | 15 | 10.0 | 270° | 76 | 71 | 49.43 | 54.63 |
| 3 Natural gas H / L* Druckpaar | 20 / 25 | 2+ | 4.15 | | 15 | max | 270° | 76 | 71 | 49.93 | 55.18 |
| 4 Natural gas L | 25 | 2L | 4.85 | | 15 | 15.0 | 270° | 76 | 71 | 57.78 | 63.86 |
| 5 Natural gas LL | 20 | 2LL | 4.85 | | 15 | 15.0 | 270° | 76 | 71 | 57.78 | 63.86 |
| 6 Propane | 30 | 3P | 2.95 | | 16 | max | 270° | 76 | 71 | 18.92 | 20.91 |
| | 37 | 3P | 2.75 | | 16 | max | 270° | 76 | 71 | 18.79 | 20.77 |
| | 50 | 3P | 2.55 | | 13 | max | 270° | 76 | 71 | 18.56 | 20.51 |
| 9 Butane/Propane* | 28 - 30 | 3B/P | 2.75 | | 16 | max | 270° | 76 | 71 | 14.36 | 15.87 |
| | 50 | 3B/P | 2.40 | | 13 | max | 270° | 76 | 71 | 14.07 | 15.55 |
| 11 Butane/Propane* | 28-30 / 37 | 3+ | 2.75 | | 16 | max | 270° | 76 | 71 | 14.36 | 15.87 |
| | 50 / 67 | 3+ | 2.40 | | 13 | max | 270° | 76 | 71 | 14.07 | 15.55 |

| E: (distance X) | F: Servo-Pressure Regulator (clockwise = +) (gasvalve SIT) | G: SLOW OPENING (clockwise = +) (gasvalve SIT) | H: burner distance | | |
|---|---|--|---|---|---|
| | | | 0° | 270° | 180° |
|  |  |  |  |  |  |

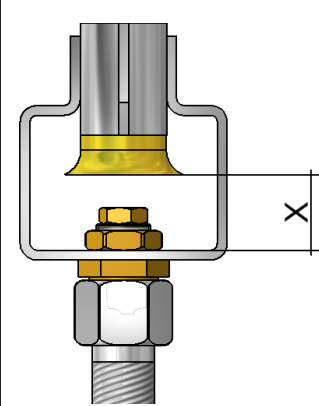
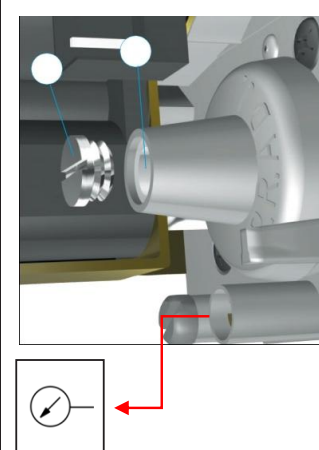

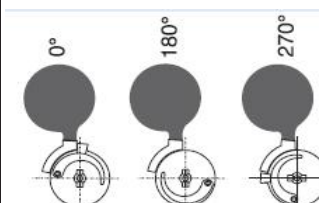
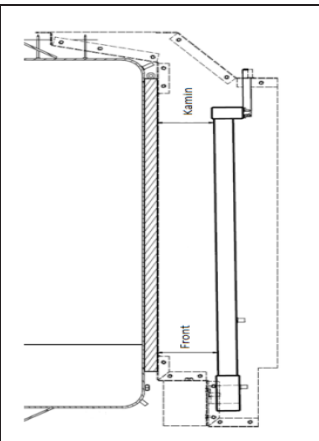
* test gas (NPG): at pressure pair category 2+ = gas H (G20); at pressure pair category 3+ = butane (G30) ; at category 3 B/P = butane (G30)

| | | | | | |
|-------------------|---------|----------------------------|--|-------|-----------|
| Electrolux | | Beschreibung / Description | | Index | Dat./Vis. |
| | | Neuteil / New part | | | |
| Alias-Code | 87.3756 | | | | |

PUET09 / 18.0 kW (Hs) / UL

Pro Thermetic line

| | A: Type of gas | B: Nominal pressure mbar | C: category | D: Main flame | | E: Setting mixing tube distance X | F: Pressure regulators mbar | G: SLOW OPENNING degree | H: Burner distance | | Gas consumption Lt/Min 956.5 mbar Baro / 20°C (Sursee Allmendstr.) | | |
|----|-------------------|--------------------------------|----------------|------------------|-------------|---|-----------------------------------|-------------------------------|-----------------------|---------|--|---------------|-------|
| | | | | mm | No. | | | | Front | chimney | Min | Nominal value | Max |
| 21 | Natural gas USA | 17.4 | A | 3.60 | 87.4812.360 | 18 | 10.0 | 270° | 76 | 71 | 27.7 | 29.15 | 30.62 |
| 22 | | 26.1 | | | | | | | | | | | |
| 23 | | 8.7 | | | | | | | | | | | |
| 24 | | | | | | | | | | | | | |
| 25 | Propane gas USA | 27.4 | E | 2.25 | 87.4812.225 | 13 | 25.0 | 270° | 76 | 71 | 10.83 | 11.40 | 11.97 |
| 26 | | 32.3 | | | | | | | | | | | |
| 27 | | 19.9 | | | | | | | | | | | |
| 28 | | | | | | | | | | | | | |

| | | | | |
|---|--|--|--|---|
| <p>E: (distance X)</p>  | <p>F: Servo-Pressure Regulator (clockwise = +) (gasvalve SIT)</p>  | <p>G: SLOW OPENNING (clockwise = +) (gasvalve SIT)</p>  | <p>H: burner distance</p>  |  |
|---|--|--|--|---|

Electrolux

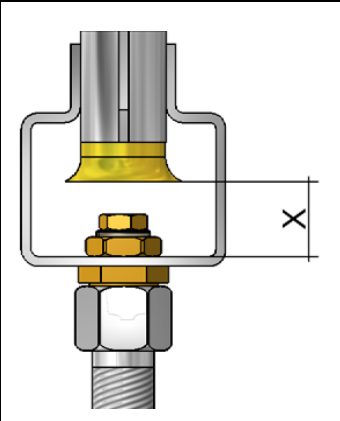
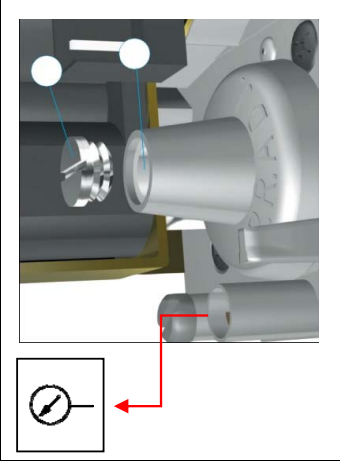
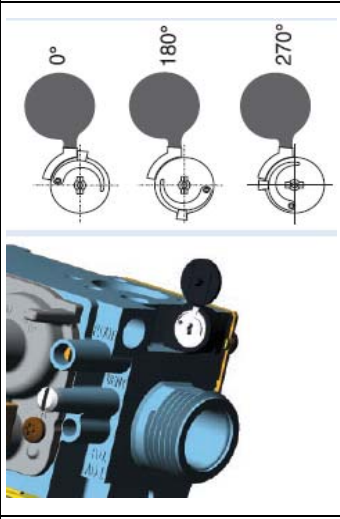
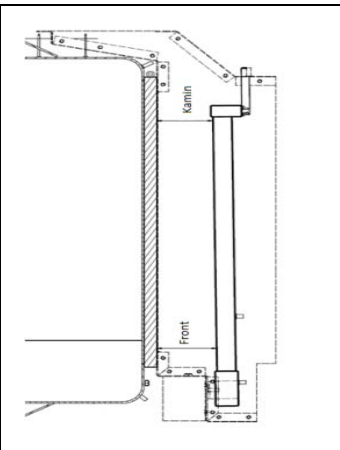
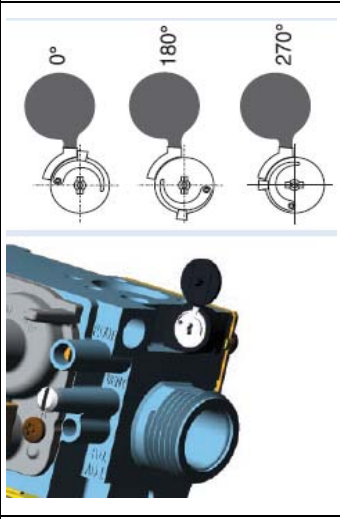
Beschreibung / Description
Neuteil / New part

| | | | |
|-------|----------|-----------|----------------|
| Index | A | Dat./Vis. | 13.11.13 / GoP |
|-------|----------|-----------|----------------|

Alias-Code **87.3757**

PUET17 / 29.0 kW (Hs) / UL Pro Thermetic line

| | A: Type of gas | B: Nominal pressure mbar | C: category | D: Main flame | | E: Setting mixing tube distance X | F: Pressure regulators mbar | G: SLOW OPENING degree | H: Burner distance | | Gas consumption L/Min 956.5 mbar Baro / 20°C (Sursee Allmendstr.) | | |
|----|-------------------|--------------------------------|----------------|------------------|-------------|---|-----------------------------------|------------------------------|-----------------------|---------|---|---------------|-------|
| | | | | mm | No. | | | | Front | chimney | Min | Nominal value | Max |
| 21 | Natural gas USA | 17.4 | A | 4.60 | 87.4812.460 | 15 | 10.0 | 270° | 76 | 71 | 44.63 | 46.97 | 49.32 |
| 22 | | 26.1 | | | | | | | | | | | |
| 23 | | 8.7 | | | | | | | | | | | |
| 24 | | | | | | | | | | | | | |
| 25 | Propane gas USA | 27.4 | E | 3.0 | 87.4812.300 | 16 | 25.0 | 270° | 76 | 71 | 17.45 | 18.37 | 19.29 |
| 26 | | 32.3 | | | | | | | | | | | |
| 27 | | 19.9 | | | | | | | | | | | |
| 28 | | | | | | | | | | | | | |

| | | | | |
|---|--|---|--|--|
| <p>E: (distance X)</p>  | <p>F: Servo-Pressure Regulator (clockwise = +) (gasvalve SIT)</p>  | <p>G: SLOW OPENING (clockwise = +) (gasvalve SIT)</p>  | <p>H: burner distance</p>  | |
| | |  | | |