

**PROTHERMETIC****DE  
EN****PFET-E  
PFET-E****KIPPBRATPFANNE ELEKTRISCH, RECHTECKIG  
TILTING FRYING PAN, ELECTRIC, RECTANGULAR**

Page	Baugruppe	Assembly group	Models
2	Kippfront	Titing panel	PFET-E
3	Kippung	Tilting system	PFET-E
4	Steuerung Kippmotor	Tilting control	PFET-E
6	Steuerfront	Control panel	PFET-E
8	Steuerung	Contropl system	PFET-E
10	Achse	Shaft	PFET-E
12	Tiegel	Pan	PFET-E
14	Deckel	Lid	PFET-E
15	Auslaufhahn	Drain Tap	PFET-E
16	Mischbatterie KWC	Mixer tap KWC	PFET-E
18	Mikroschalter & Begrenzer	Micro switch and Liniter	PFET-E
19	Füsse	Feet	PFET-E
20	Spraygun	Spray gun	PFET-E

Valid from Ser. № 3041 . . . .

Last Updates

Page

Pos.

01/2015

all

04/2016

all

11/2017

7

15

10/2018

5

1

01/2019

2 / 21

9 / from 6 to 13, 19

02/2019

8 / 9

2 / 36, 37, 38

04/2019

17

19

06/2019

7

10

09/2019

3/11/12/13/14

2, 8 / 12 / 1 / 2, 17, 18 / 1, 3, 7, 8, 15

11/2019

17 / 21

18 / 2

04/2021

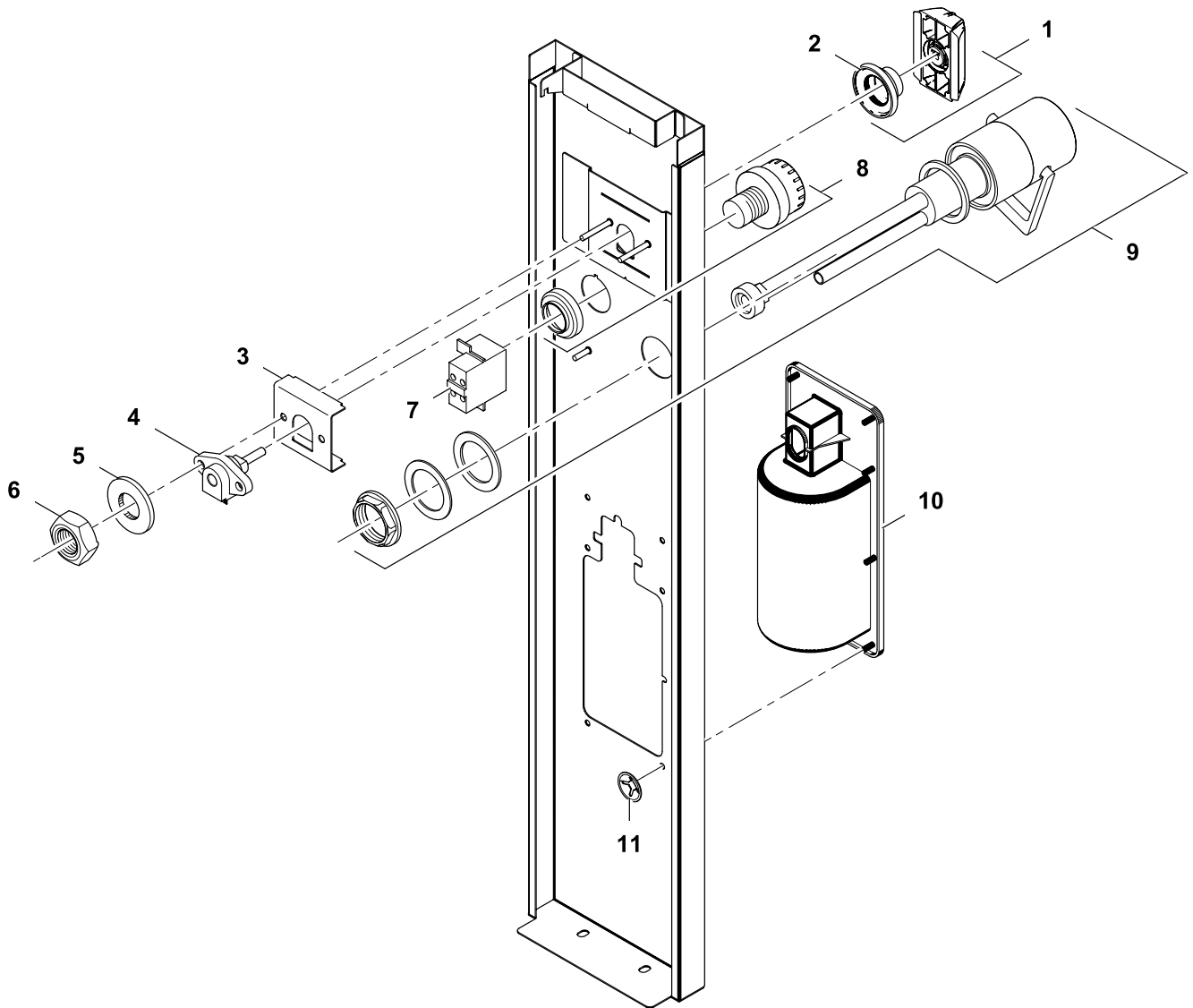
8

2

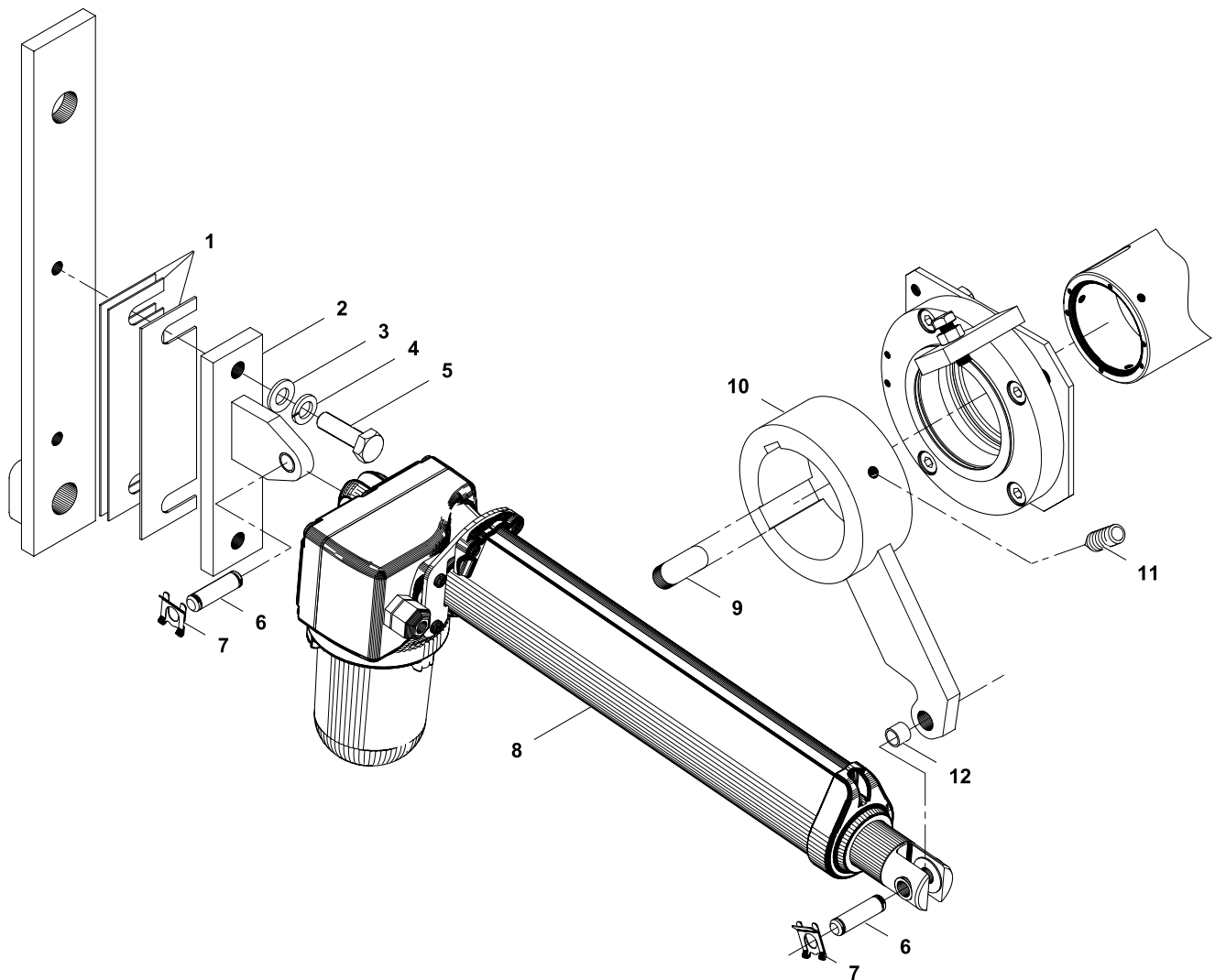
10/2021

5

Titing control assembled

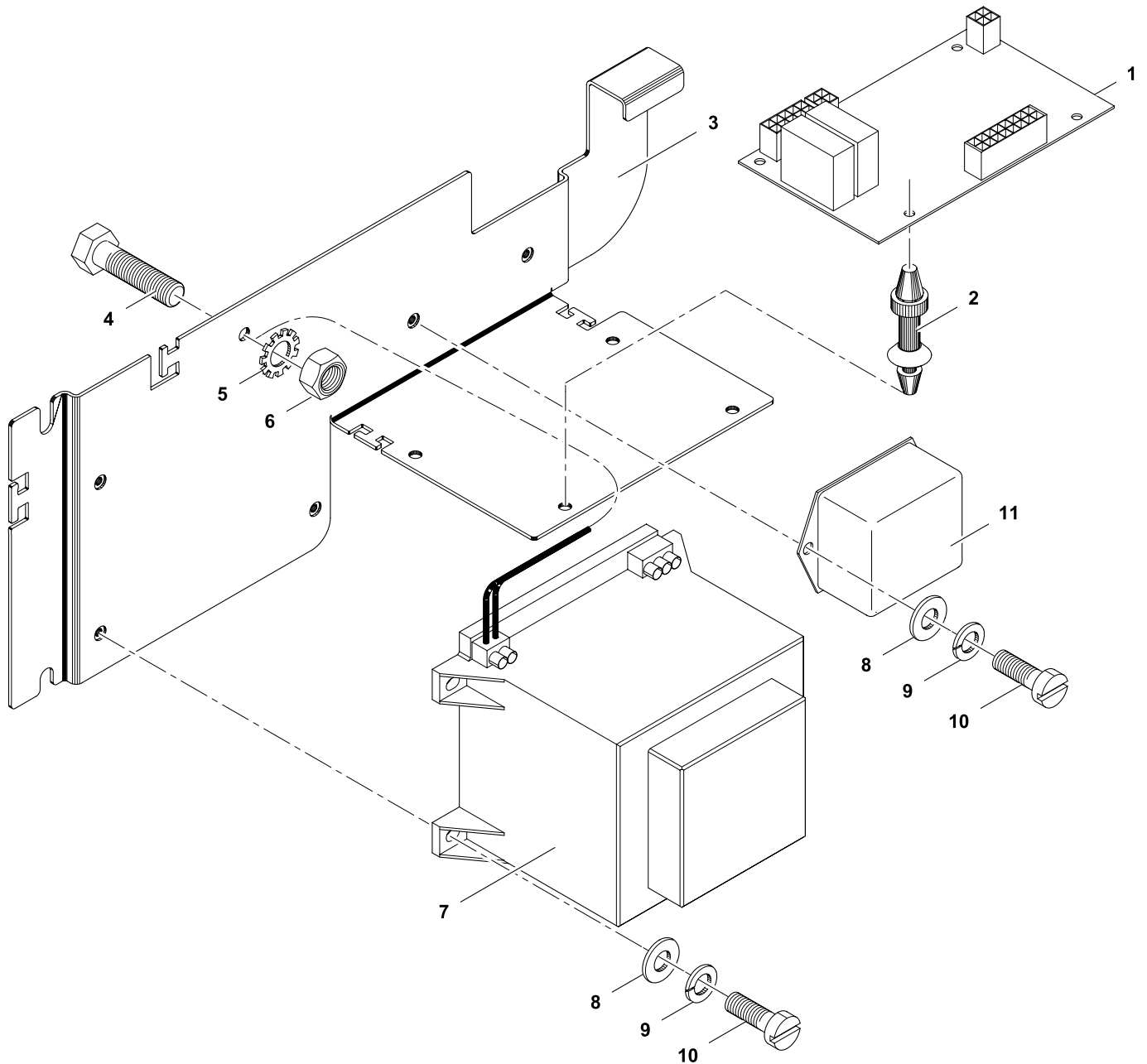


1	Alias	Code	Bezeichnung	Description	Ref.	Valid from Serial N°
1	87.7072_0.KD	OG6644	Drehgriff komplett	Handle with adapter and sealing		3401...
2	82.7009	OG6247	Dichtung Drehgriff	Sealing handle		3401...
	76.9673	OG3648	Griff zu Einbaukipfung	Handle for tilting system		2071...
3	87.1363	OG7236	Abstandsblech	Spacer		3401...
4	87.9118	OG6267	Kipppotentiometer 7POT5KEO	Tilting potentiometer 7POT5KEO		3401...
	76.9363	OKI513	Schalter mit Potentiometer	Switch and potentiometer		2071...
5	1 701 3502	OG3595	Unterlegscheibe Ø4,3 x Ø9,0 x 0,8	Wascher Ø4,3 x Ø9,0 x 0,8		3401...
6	1 701 3004	OK4606	Sechskantmutter M4x0.8	Hex nut M4x0.8		3401...
	712 044120.04	OG4918	Keps-Mutter M4	Keps nut M4		2071...
7	76.9108.02	OK5160	Kontaktgeber Notaus	Terminal emergency stop		
8	76.9075.03	OKX129	Notausschlater	Emergency stop botton		
9	86.7120	OG6839	Einhebelmischer	One-lever mixer tap		until 9051...
10	86.7124	OG7860	Frontblende Spray Gun	Front panel spray gun		
11	1 701 5083	OG6850	Quicklock-Scheibe	Quicklock fixing washer		

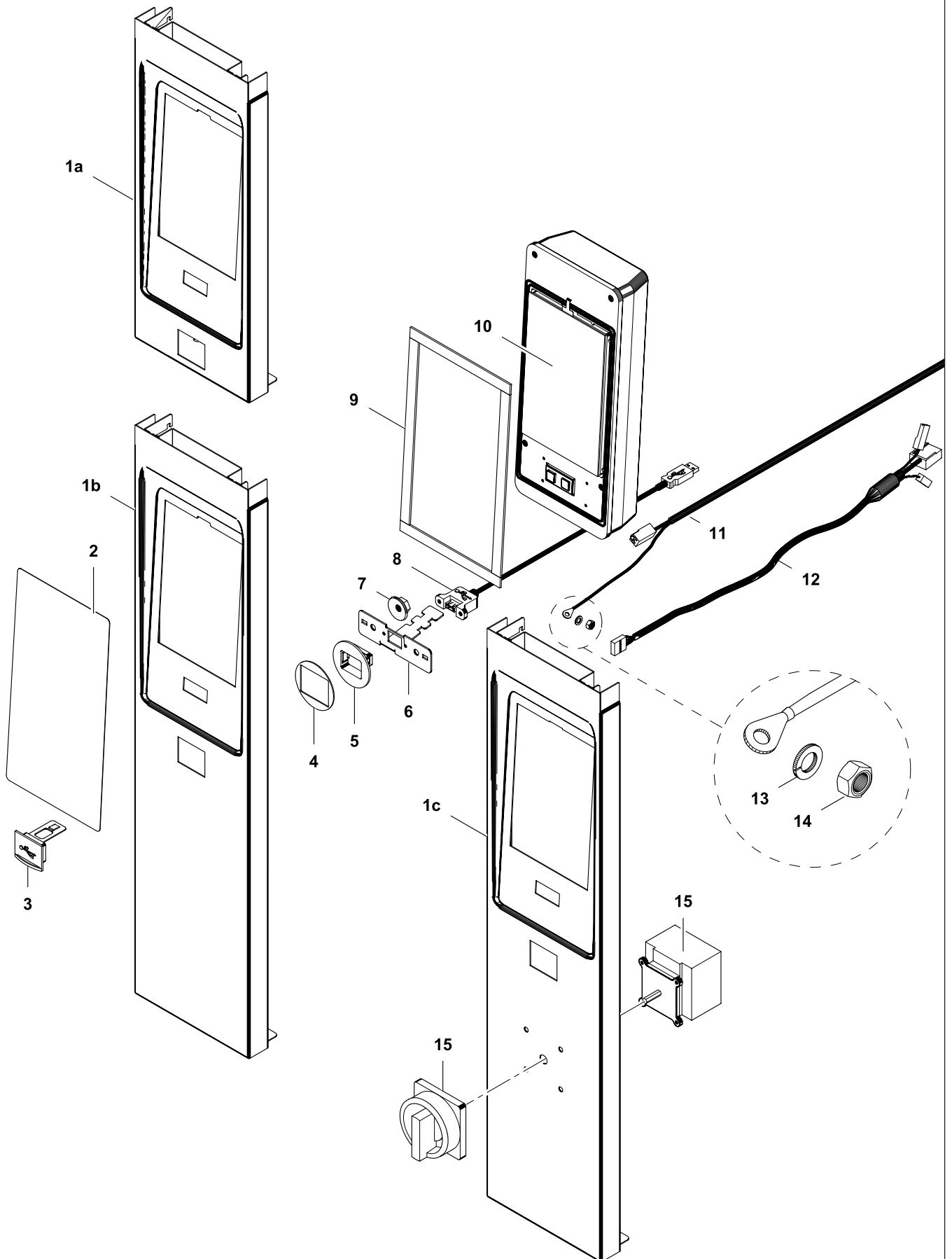


2	Alias	Code	Bezeichnung	Description	Ref.	Valid from Serial N°
1	76.0066.01	OK5492	Zwischenblech 1mm	Spacer sheet 1mm		
	76.0066.03	OK5494	Zwischenblech 1,5mm	Spacer sheet 1,5mm		
2	87.0237.01	OG8593	Motorhalter	Motor support	80L, D900	6251...
	87.0237.03	OG8594	Motorhalter	Motor support	80L, D800/850	6251...
3	1 701 3516	OT5917	Unterlegscheibe Ø10.5 x Ø21 x 2	Washer Ø10.5 x Ø21 x 2		
4	1 701 5040	OK4616	Federring M10	Spring washer M10		
5	1 701 2543	OK4601	Sechskantschraube M10x35	Hex bolt M10x35		
6	87.7041	OG6840	Bolzen M10x30	Pin M10x30		4141...
	76.0074.02	OK5500	Bolzen M10x29	Pin M10x29		3401...
7	1 201 1927	OK5499	Federklammer Ø10	Spring clip Ø10		
8	87.9113	OG6269	Kippmotor SIR 3000N lang 6814421	Tilting motor SIR 3000N long 6814421	60-90L/D900	4141...
	87.9112	OG6268	Kippmotor SIR 6000N lang 6814420	Tilting motor SIR 6000N long 6814420	80-100-170L/D900	4141...
	87.9115	OG6271	Kippmotor SIR 3000N kurz 6814423	Tilting motor SIR 3000N short 6814423	60-90L/D800/850	4141...
	87.9114	OG6270	Kippmotor SIR 6000N kurz 6814422	Tilting motor SIR 6000N short 6814422	80-100-170L/D800/850	3461...
	76.3090	OK4753	Kippmotor 3000N lang	Tilting motor 3000N long	60-90L/D900	3401...
	76.3091	OK4754	Kippmotor 8000N lang	Tilting motor 8000N long	100-170L/D900	3401...
	76.3093	OKT713	Kippmotor 3000N kurz	Tilting motor 3000N short	60-90L/D800/850	3401...
	76.3115	OKV630	Kippmotor 8000N kurz	Tilting motor 8000N short	100-170L/D800/850	3401...
9	1 201 1907	OKT929	Passfeder 14x9x36	Feather key 14x9x36		
10	76.2027.01	OG7635	Kipphebel	Rocker arm	Depth 900	
	76.2027.02	*	Kipphebel	Rocker arm	Depth 800/850	
11	1 701 7094	OG4248	Gewindestift m. Innensechskant M8x12	Allen set screw M8x12		
12	76.4115	OK5498	Lager GLEIT-PERMAGLIDE	Fiberglide		

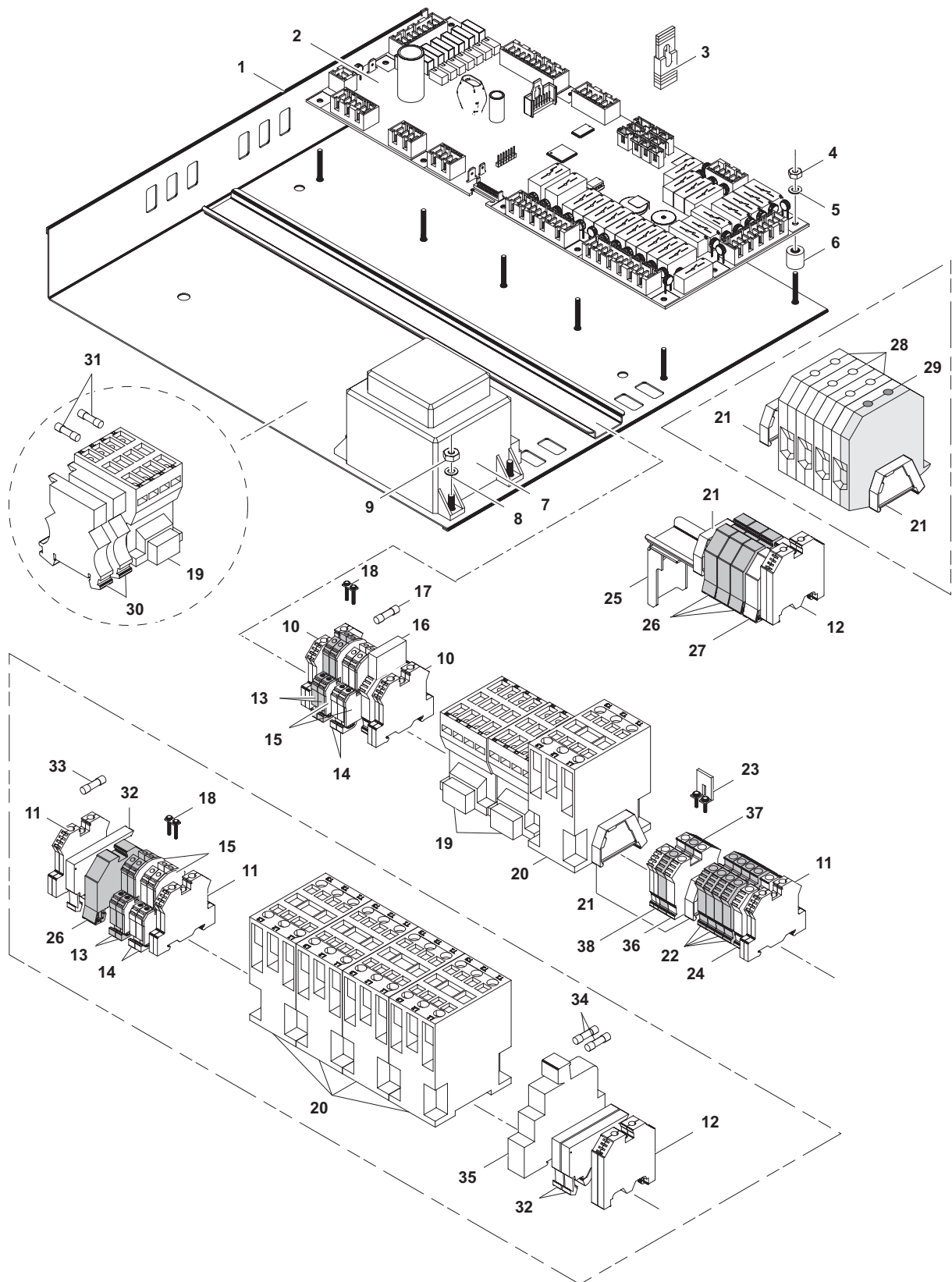
\* Components on demand  
\* Teile auf Anfrage



3	Alias	Code	Bezeichnung	Description	Ref.	Valid from Serial N°
	879140.01	0G6367	Kippsteuerung kompl. 230-240V	Titling control assembled 230-240V	Standard	from 3401... to 9041...
	879140.01	0G8991	Kippsteuerung kompl. 230-240V	Titling control assembled 230-240V	Standard	9051...
	879140.06	0G6864	Kippsteuerung kompl. 440V	Titling control assembled 440V	Marine 400/440V	from 5011... to 7431...
	879140.03	0G7151	Kippsteuerung kompl. 204V	Titling control assembled 204V	USA	from 3461... to 7431...
	76.9000.01.KD	0G6016	Kippsteuerung kompl. xxT94	Titling control xxT94		
	879140.12	0G8409	Kippsteuerung kompl. 440 VAC	Titling control assembled 440 VAC	80L for USA	7441...
	879140.11	0G8410	Kippsteuerung kompl. 400 VAC	Titling control assembled 400 VAC	80L	7441...
	879140.10	0G8411	Kippsteuerung kompl. 230 VAC	Titling control assembled 230 VAC	80L	7441...
1	879116	0G6266	Kippsteuerung 7CA24VE1 SIR	Titling control 7CA24VE1 SIR		from 3401... to 7431...
	879234	0G8412	Kippsteuerung 7CA24VE1 SIR	Titling control 7CA24VE1 SIR	80L	7441...
2	75.5000.05	0G4212	Distanzhalter	Spacer		
3	879133	*	Halter Kippsteuerung	Support tilting control		3401...
4	1 701 2567	0KE185	Sechskantschraube M5x20	Hex bolt M5x20		
5	1 701 7002	0G2923	Fächerscheibe M5	Fan washer M5		
6	1 701 3008	0G6111	Sechskantmutter M5x0.8D	Hex nut M5x0.8D		
7	879121	0G6273	Transformator 230V AC 24VDC	Transformer 230V AC 24VDC	Standard	
	879143	0G6865	Transformator 440V AC 24VDC	Transformer 440V AC 24VDC	Marine 400/440V	
	879123	0G7152	Transformator 204V AC 24VDC	Transformer 204V AC 24VDC	USA	
8	1 701 3502	0G3595	Unterlegscheibe M4	Washer		
9	1 701 5002	0KL273	Federring M4	Spring washer		
10	1 701 2023	0G6863	Zylinderschraube M4x12	Allen screw		
11	1 115 1783	0G6228	EMV Filter	EMC filter	Standard	
	879182	0G6866	Kabel: Trafo - Steuerelektronik (Filter)	Cable: tranformer - tilt control (EMC filter)	Standard	
	879119	0G6391	Kabel: Trafo - Steuerelektronik (ohne Filter)	Cable: tranformer - tilt control (no EMC filter)	Marine 400/440V/USA	
	76.9123	0G5919	Kabel: Thermoelement - Motor	Cable: Thermocouple - motor		
	879089	0G5932	Kabel: X2 - Kippung	Cable: X2 - tilting		
	879160	0G7153	Kabel UL: X2 - Kippung	Cable UL: X2 - tilting	USA	
	879083.02	0G5928	Kabel: X0 - X1 Hauptzuleitung 4mm <sup>2</sup>	Cable: X0 - X1 mains connection 4mm <sup>2</sup>	60/90L	
	76.9149.04	0G7113	Kabel: 5x4mm <sup>2</sup> L=1400mm	Cable: 5x4mm <sup>2</sup> L=1400mm	80L	
	879083.03	0G5929	Kabel: X0 - X1 Hauptzuleitung 6mm <sup>2</sup>	Cable: X0 - X1 mains connection 6mm <sup>2</sup>	100/170L	



4	Alias	Code	Bezeichnung	Description	Ref.	Valid from Serial N°
1a	87.1013.03	0G7714	Steuerfront	UI panel	400H 800/850/900 depth	
1b	87.1013.01	*	Steuerfront	UI panel	700H 800/850/900 depth	
	87.1013.02	*	Steuerfront	UI panel	800H 800/850/900 depth	
	87.1013.15	*	Steuerfront D100mm	UI panel D100mm	400H 900 depth (1000 depth)	
	87.1013.16	*	Steuerfront D100mm	UI panel D100mm	700H 900 depth (1000 depth)	
	87.1013.17	*	Steuerfront D100mm	UI panel D100mm	800H 900 depth (1000 depth)	
1c	87.1013.01+87.1310	*	Steuerfront mit Hauptschalter	UI panel with main switch	700H 800/850/900 depth	
	87.1013.02+87.1311	*	Steuerfront mit Hauptschalter	UI panel with main switch	800H 800/850/900 depth	
2	87.1008	0G6081	Folie	Foil		
3	87.9004	0C6546	Abdeckkappe zu USB	USB cover		
4	87.9005	0G7687	Dichtung zu USB	USB sealing		
5	87.9003	0C6547	Halter zu USB	USB support		
6	87.1014	0G7715	Blech zu USB	USB fixation sheet		
7	712 044120.04	0G4918	Kepsmutter M4	Keps nut M4		
8	87.9030	0C6566	Kabel COPUI40-USB	Cable COPUI40-USB		
9	87.7117		Dichtung Steuerung	Sealing user interface		
10	87.9043_0	0G5909	Steuerung komplett	User interface assembled		until 9171...
	87.9043_1	0G6990	Steuerung komplett	User interface assembled		from 5181... to 9171...
	87.9242	0G8585	Steuerung komplett COPUI70	User interface COPUI70 assembled		9181...
11	87.9010	0G5956	Kabel Klemmen-COPUI40S	Cable terminal-COPUI40S		
	87.9158	0G7129	Kabel UL Klemme-COPUI40S	Cable UL terminal-COPUI40S	*USA	
	87.9222		Kabel Klemmen-COPUI40S Marine	Cable terminal-COPUI40S Marine	Marine 400/400V	
12	87.9033	0G5957	Kabel COPUI40-COP20	Cable COPUI40-COP20		
13	1 701 5004	0H9734	Federring M5	Spring washer M5		
14	1 701 3008	0G6111	Sechskantmutter M5	Hex nut M5		
15	76.9164.01	0G2137	Hauptschalter 25A	Main switch 25A	60L/80L/90L	
	76.9149.02		Kabel 5x2.5mm <sup>2</sup> L=1400	Cable 5x2.5mm <sup>2</sup> L=1400	60L/80L/90L	until 7441...
	87.9216.01	0G8069	Kabel 5x4mm <sup>2</sup>	Cable 5x4mm <sup>2</sup>	60L/80L/90L - 800/850 depth	7451...
	87.9083.02	0G5928	Kabel 4mm <sup>2</sup>	Cable 4mm <sup>2</sup>	60L/80L/90L - 900 depth	7451...
	76.9164.02	0K4979	Hauptschalter 63A	Main switch 63A	100L/170L	
	76.9149.06	0G7114	Kabel 5x6mm <sup>2</sup> L=1400	Cable 5x6mm <sup>2</sup> L=1400	100L/170L	until 7441...
	87.9216.02	0G8070	Kabel 5x6mm <sup>2</sup>	Cable 5x6mm <sup>2</sup>	100L/170L - 800/850 depth	7451...
	87.9083.03	0G5929	Kabel 6mm <sup>2</sup>	Cable 6mm <sup>2</sup>	100L/170L - 900 depth	7451...



5	Alias	Code	Bezeichnung	Description	Ref.	Valid from Serial N°
1	879188.01	*	Steuerträger standard PxxT	Support frame PxxT	Standard	
	879188.02	*	Steuerträger UL	Support frame PxxT UL	USA	
	879188.03	*	Steuerträger Marine	Support frame PxxT Marine	Maine 400/440V	
2	879015	0G5908	Motherboard COP20	Motherboard COP20		until 9051...
	879241	0G8953	Motherboard COP70	Motherboard COP70		9061...

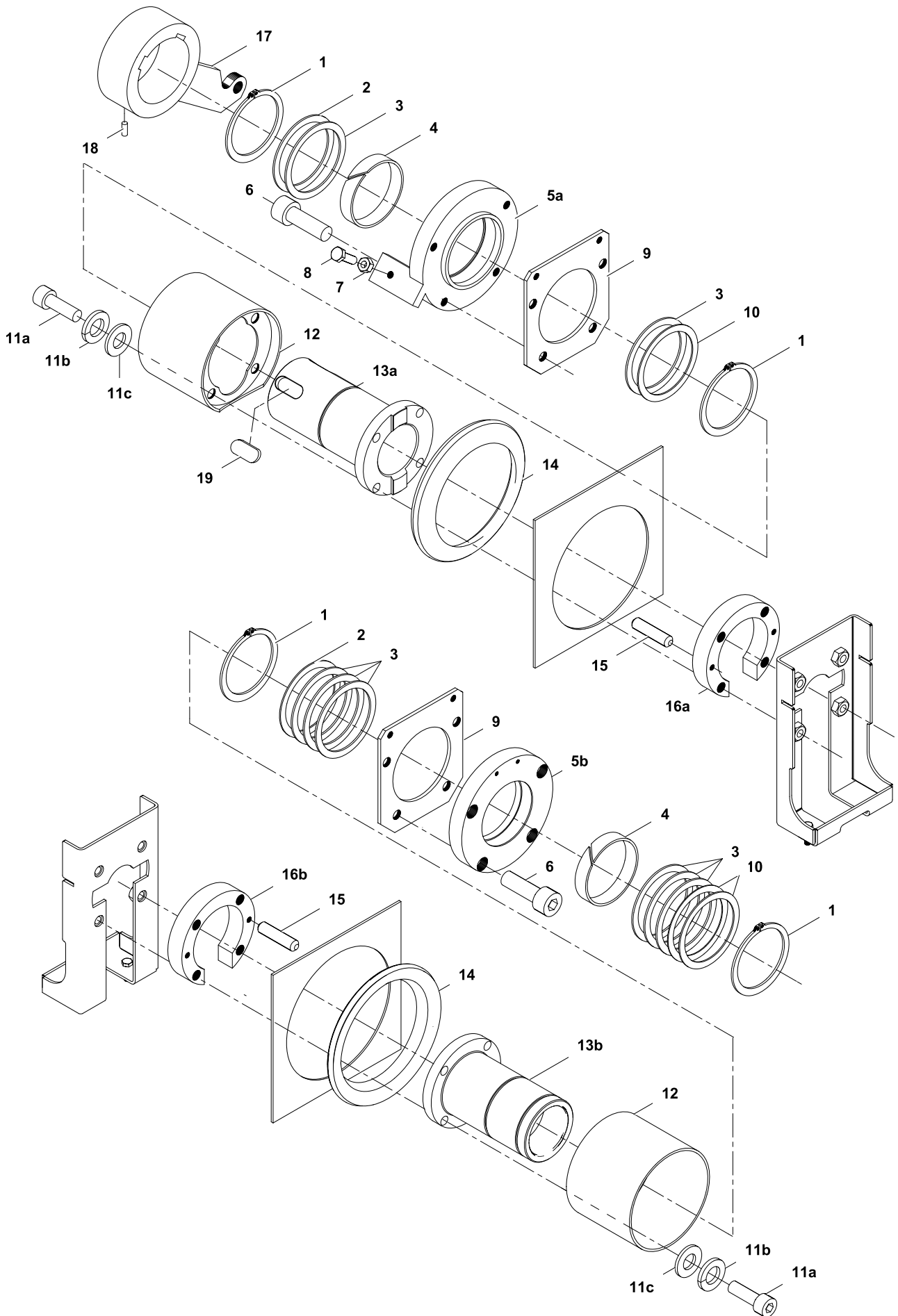


5	Alias	Code	Bezeichnung	Description	Ref.	Valid from Serial N°
3	879191	OG7123	Jumper	Jumper		
4	1 701 3057	OU0182	Sechskantmutter M3	Hexs nut M3		
5	1 701 3540	OKI478	Unterlegscheibe M3	Washer M3		
6	76.3011.03	OG3094	Distanzhalter 12mm	Spacer 12mm		
7	879036	OG5910	Transformator PMA 70VA 230V-12/24V	Transformer PMA 70VA 230V-12/24V	Standard	
	879152	OG6786	Transformator 450VA 208V	Transformer 450VA 208V	USA	
	879203	OG6879	Transformator 440V 150VA +PTC	Transformer 440V 150VA +PTC	Maine 400/440V	
8	1 701 3502	OG3595	Unterlegscheibe M4	Washer M4		
9	1 701 3004	OK4606	Sechskantmutter M4	Hex nut M4		
10	75.2011.01	OKT730	Schutzleiterklemme 4mm <sup>2</sup>	Ground conductor terminal 4mm <sup>2</sup>		
11	75.2011.02	OKT729	Schutzleiterklemme 10mm <sup>2</sup>	Ground conductor terminal 10mm <sup>2</sup>		
12	75.2011.03	OKX291	Schutzleiterklemme 16mm <sup>2</sup>	Ground conductor terminal 16mm <sup>2</sup>		
13	75.2010.11	OKT733	Nullleiterklemme 4mm <sup>2</sup> blau	Neutral wire terminal 4mm <sup>2</sup> blue		
14	75.2010.10	OKT734	Reihenkleme 4mm <sup>2</sup> grau	Terminal block 4mm <sup>2</sup> grey		
15	75.2010.12	OT2598	Abschlusswand	Cover		
16	76.9527.01	OG3940	Sicherungsklemme 10mm <sup>2</sup>	Fuse holder terminal 10mm <sup>2</sup>		
	76.9527.02	OG4585	Abschlusswand zu Sicherungsklemme	Cover for fuse holder terminal		
17	712 344362.01	OG5814	Sicherung 5x20 1A	Fuse 5x20 1A		
18	75.2010.14	OG5735	Querverbinder	Cross connection		
19	1 115 1757	OG4645	Schütz K3-14X027 + K2-E230	Contactore K3-14X027 + K2-E230		
20	1 115 1758	OG4646	Schütz K3-24X022	Contactore K3-24X022		
21	75.2013	OKX290	Arretierstück	Fixation		
22	75.2010.30	OKT732	Reihenkleme 10mm <sup>2</sup> grau	Terminal block 10mm <sup>2</sup> grey		
23	75.2010.34	OG3339	Querverbinder	Cross connection		
24	75.2010.31	OG3495	Nullleiterklemme 10mm <sup>2</sup> grün	Neutral wire terminal 10mm <sup>2</sup> green		
25	76.9011.01	*	Klemmschiene	Clamp rail		
26	75.2010.40	OKI280	Reihenkleme 16mm <sup>2</sup> grau	Terminal block 16mm <sup>2</sup> grey		
27	75.2010.41	OG3488	Nullleiterklemme 16mm <sup>2</sup> blau	Neutral wire terminal 16mm <sup>2</sup> blue		
28	76.9474	OG7130	Durchgangsklemme	Through terminal 50mm <sup>2</sup>		
29	76.9475	OG7131	Schutzleiterklemme 50mm <sup>2</sup>	Ground conductor terminal 50mm <sup>2</sup>		
30	82.9177	OTTW84	Sicherungsklemme 6.3X32 500V	Fuse holder terminal	Maine 400/440V	
31	82.9171	OTTTR73	Sicherung 6.3x32 0.63A 500V	Fuse 6.3x32 0.63A 500V	Maine 400/440V	
32	75.2012.01	OK5155	Sicherungsklemme	Fuse holder terminal	USA	
	75.2012.02	OT2599	Abschlusswand zu Sicherungsklemme	Cover for fuse holder terminal	USA	
33	712 344362.02	OG7132	Sicherung 5x20 2.5A	Fuse 5x20 2.5A	USA	
34	712 344362.13	OG7133	Sicherung 5x20 6.3A	Fuse 5x20 6.3A	USA	
35	76.9483	OG4009	Relais 230V UL	Relay 230V UL	USA	
36	75.2010.20	OG7080	Reihenkleme grau	Terminal block grey		9061...
37	75.2010.21	OG3489	Nullleiterklemme blau	Neutral wire terminal blue		9061...
38	75.2011.01	OKT730	Schutzleiterklemme G/G	Ground conductor terminal G/G		9061...
	1 115 1783	OG6228	Filter FN2060	Filter FN2060		9061...
	76.9117.05	OG5927	Litze Haupterdraht	Litz wire earthing		
	76.9117.03	*	Litze Haupterdraht	Litz wire earthing	USA	
	879008	OG5939	Kabel: COP20 - Schützen STB	Cable: COP20 - Conductors STB		
	879173		Kabel: COP20 - Schützen STB UL	Cable: COP20 - Conductors STB UL	USA	
	879037	OG5923	Kabel: N - Trafo - P	Cable: N - Transformator - P		
	879154	OG7149	Kabel: N - Trafo - P UL	Cable: N - Transformator - P UL	USA	
	879009	OG5938	Kabel: Klemmen - Schützen	Cable: Terminal - conductor		
	879174	OG7150	Kabel: Klemmen - Schützen UL	Cable: Terminal - conductor UL	USA	
	879083.02	OG5928	Kabel: X0-X1 Hauptzuleitung 4mm <sup>2</sup>	Cable: X0 - X1 mains connection 4mm <sup>2</sup>		
	879083.03	OG5929	Kabel: X0-X1 Hauptzuleitung 6mm <sup>2</sup>	Cable: X0 - X1 mains connection 6mm <sup>2</sup>		
	76.9149.04	OG7113	Kabel: X0-X1 Hauptzuleitung 4mm <sup>2</sup>	Cable: X0 - X1 mains connection 4mm <sup>2</sup>		
	76.9149.06	OG7114	Kabel: X0-X1 Hauptzuleitung 6mm <sup>2</sup>	Cable: X0 - X1 mains connection 6mm <sup>2</sup>		
	879210	OG6872	Kabelbaum Prothermetic Marine	Wiring harness Prothermetic Marine	Maine 400/440V	
	82.2809	OC0068	Kabelverschraubung PG21	Cable gland PG21	Maine 400/440V	
	82.9226	OG7024	Gegenmutter PG21	Lock nut PG21	Maine 400/440V	

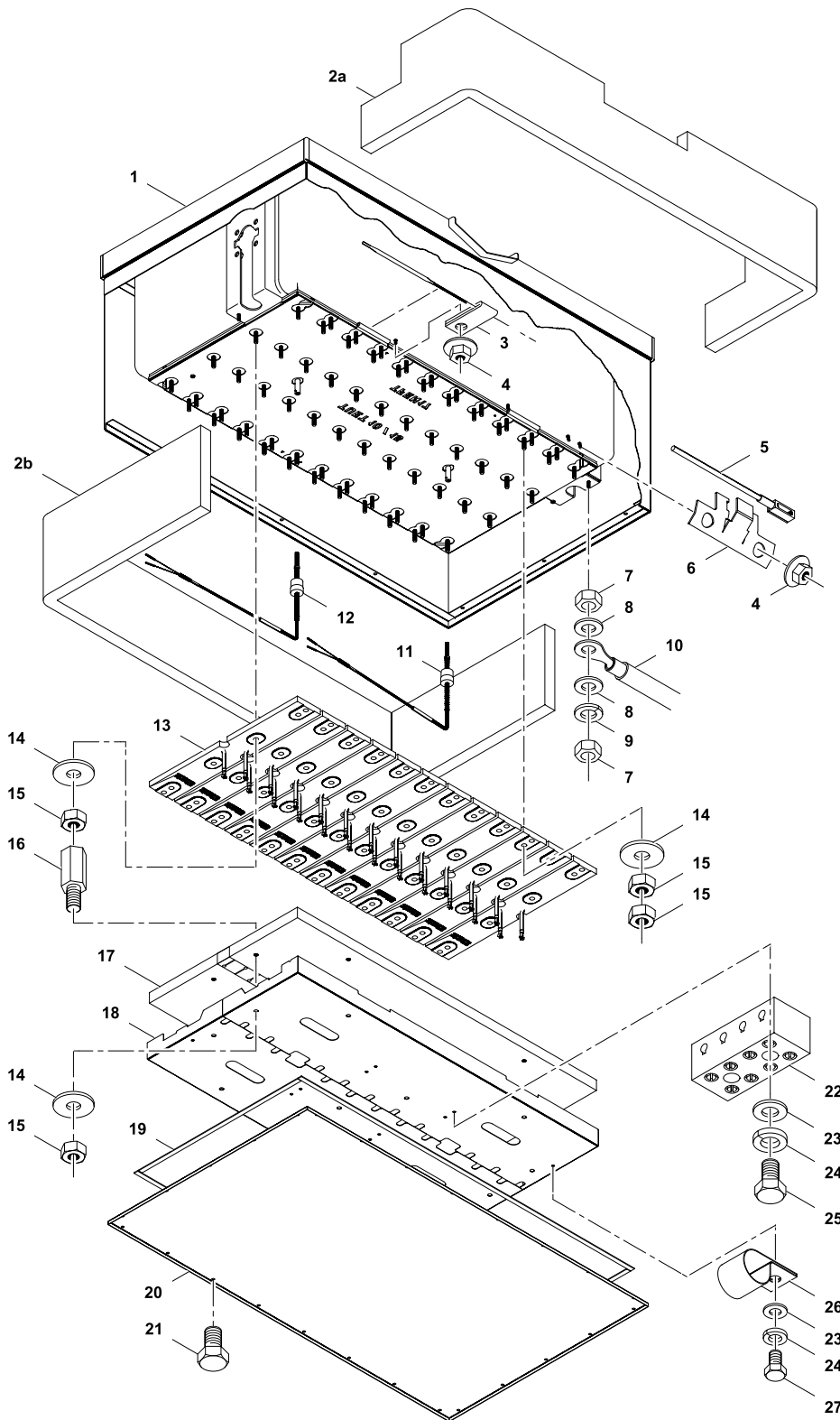
\* Components on demand  
\* Teile auf Anfrage

Doc. № 599A2BC00 / 87.8040.02

Page: 9

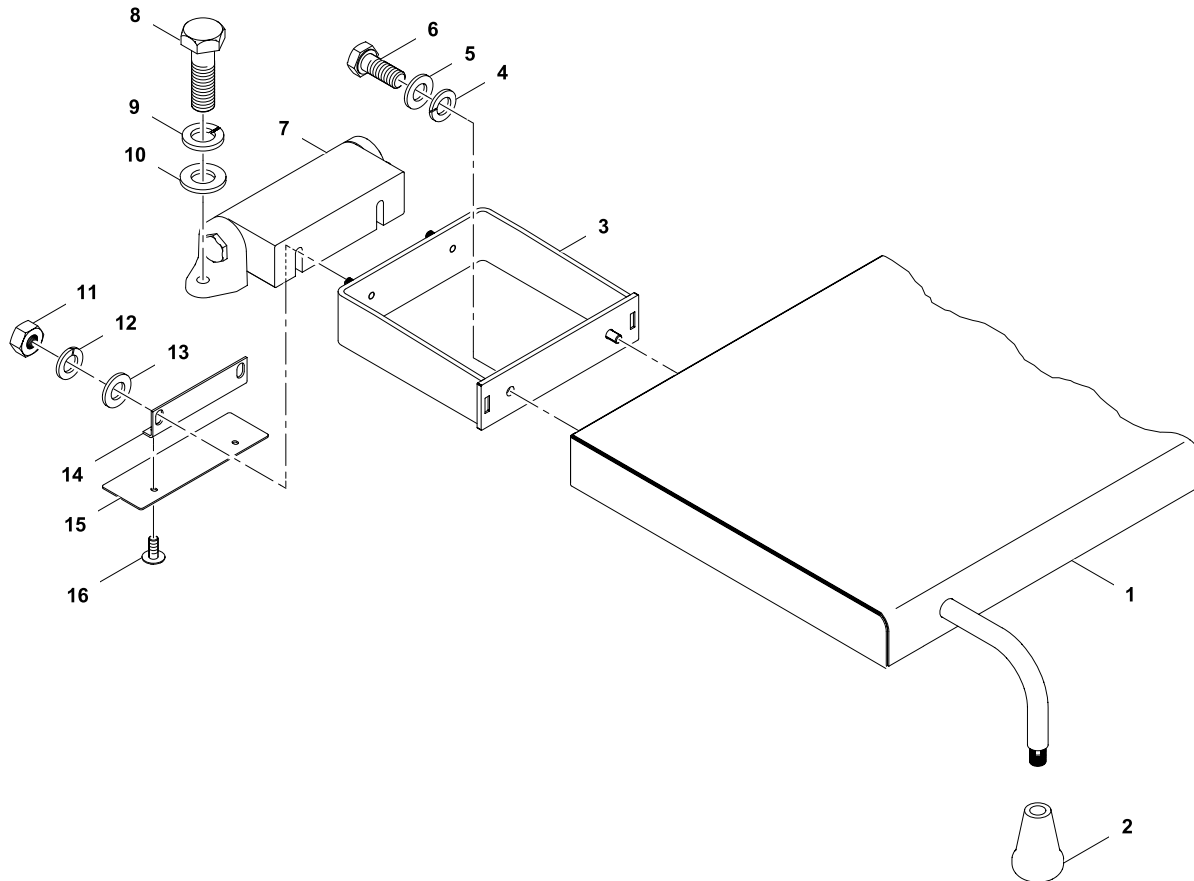


6	Alias	Code	Bezeichnung	Description	Ref.	Valid from Serial N°
1	1 701 5080	OKT913	Sicherungsring Ø70	Circlip ring Ø70		
2	76.4402	OKI520	Distanzscheibe	Spacer washer		
3	76.4037	OKI519	Distanzscheibe	Spacer washer		
4	76.3002	OKI517	Lagerband	Bearing strip		
5a	76.4425	OG4680	Lagerhalter links	Bearing retainer left		
5b	76.4337	OKT703	Lagerhalter rechts	Bearing retainer right		
6	1 701 2631	OKT916	Innensechskantschraube M8x25	Allen bolt M8x25		
7	1 701 3044	OK4612	Sechskantmutter M8	Hex nut M8		
8	1 701 2616	OKT918	Sechskantschraube M8x25	Hex bolt M8x25		
9	76.4341	OG4726	Gegenhalter	Counter support		
10	76.4038	OKT707	Stützscheibe	Retaining washer		
11a	1 101 8148	OG2970	Innensechskantschraube M10x50	Allen bolt M10x50	100/170L	
	1 701 1073	OG4678	Innensechskantschraube M10x60	Allen bolt M10x60	80L	
	1 701 1099	OKK080	Innensechskantschraube M10x35	Allen bolt M10x35	60/90L	
11b	1 701 5040	OK4616	Federring M10	Spring washer M10		
11c	1 701 3516	OT5917	Unterlegscheibe M10	Washer M10		
12	76.4102.01	OG3135	Abdeckung Lagerzapfen	Cover bearing spigot	100/170L	
	76.4102.06	OG7115	Abdeckung Lagerzapfen	Cover bearing spigot	60/90L	
	76.4102.04	OG4675	Abdeckung Lagerzapfen	Cover bearing spigot	80L	
13a	76.4526	OG3046	Lagerzapfen links	Bearing spigot left		
13b	76.4111	OKT705	Lagerzapfen rechts	Bearing spigot right		
14	76.3004	OKI521	Dichtmanschette	Sealing sleeve		
15	1 701 7058	OG6089	Schwerspannstift 6x26	Spring pin 6x26		
16a	76.4530.01	OG3498	Zwischenring links 20mm	Spacer bracket left 20mm	100/170L	
	76.4530.02	OG6420	Zwischenring links 30mm	Spacer bracket left 30mm	80L	
	76.4530.04	OG7116	Zwischenring links 8mm	Spacer bracket left 8mm	60/90L	
16b	76.4031.01	OKT709	Zwischenring rechts 20mm	Spacer bracket right 20mm	100/170L	
	76.4031.02	OKT708	Zwischenring rechts 30mm	Spacer bracket right 30mm	80L	
	87.5110	OG7128	Zwischenring rechts 5mm	Spacer bracket right 5mm	60/90L	
17	76.4362		Kipphebel geschweisst	Tilting lever welded	D800/850	
	76.4022	OKW902	Kipphebel geschweisst	Tilting lever welded	D900/1000	
18	1 701 7094	OG4248	Gewindestift I-6kt M8x12	Allen setscrew M8x12		
19	1 201 1907	OKT929	Keilfeder 14x9x36	Feather key 14x9x36		



7	Alias	Code	Bezeichnung	Description	Ref.	Valid from Serial N°
1	87.4025	*	Tiegel geschweisst	Pan welded	90L D900	
	87.4083	*	Tiegel geschweisst	Pan welded	80L	9401...
	87.4027	*	Tiegel geschweisst	Pan welded	60L D900	
	87.4036	*	Tiegel geschweisst	Pan welded	100L D800/850	
	87.4039	*	Tiegel geschweisst	Pan welded	60L D800/850	
	87.4061	*	Tiegel geschweisst	Pan welded	90L D800/850	
	87.4054	*	Tiegel geschweisst	Pan welded	170L D900	
	87.4056	OG7806	Tiegel geschweisst	Pan welded	100L D900	

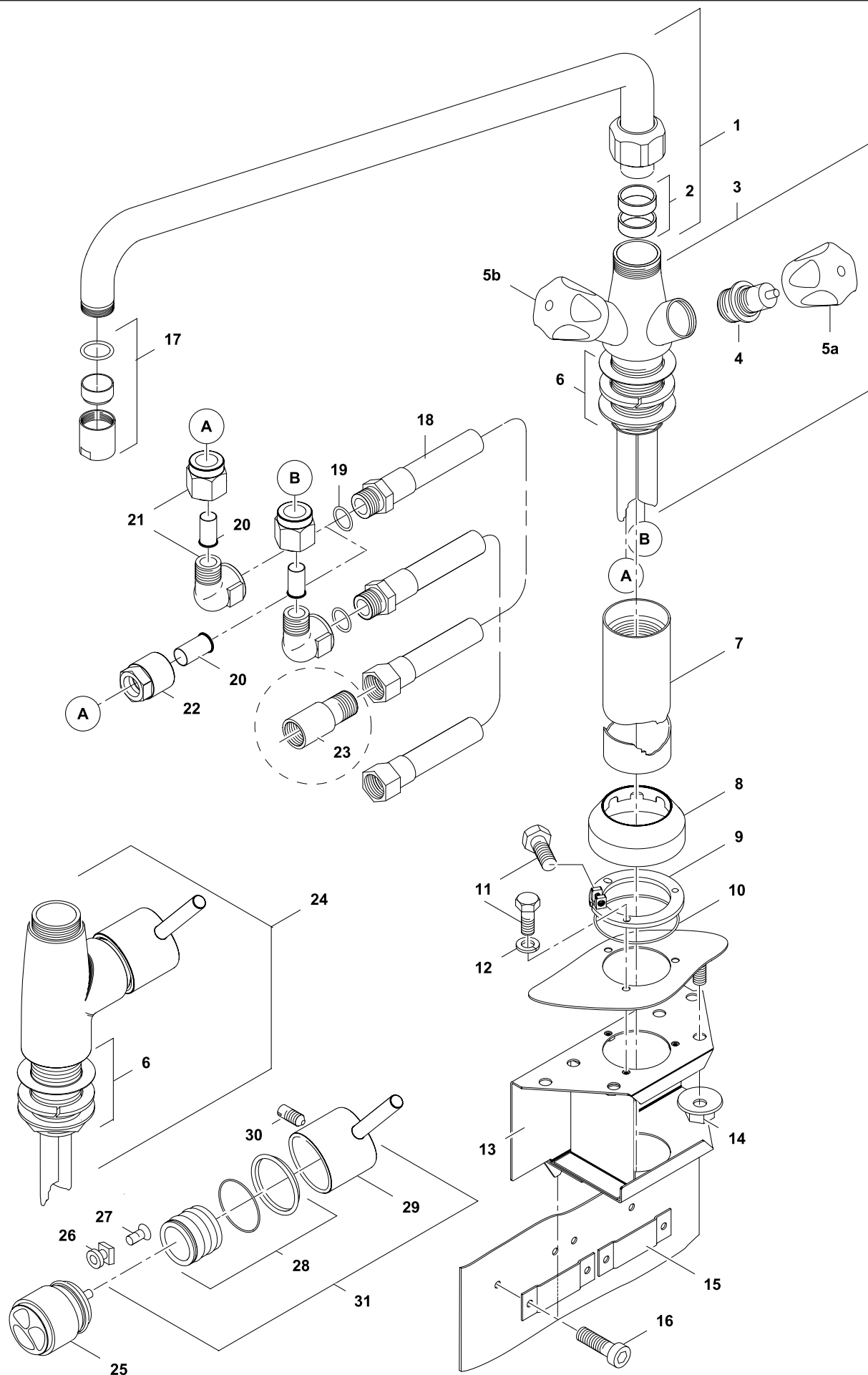
7	Alias	Code	Bezeichnung	Description	Ref.	Valid from Serial N°
	87.4057	*	Tiegel geschweisst	Pan welded	170L D800/850	
2a/b	87.7019.01 /02	*	Dämmung Tiegelrand vorn/hinten	Insulation pan frontside/backside	60L D900	
	87.7018.01 /02	*	Dämmung Tiegelrand vorn/hinten	Insulation pan frontside/backside	90L D900	
	87.7016.01 /02	*	Dämmung Tiegelrand vorn/hinten	Insulation pan frontside/backside	100L D900	
	87.7017.01 /02	*	Dämmung Tiegelrand vorn/hinten	Insulation pan frontside/backside	170L D900	
	87.7020.01 /02	*	Dämmung Tiegelrand vorn/hinten	Insulation pan frontside/backside	60L D800/850	
	87.7021.01 /02	*	Dämmung Tiegelrand vorn/hinten	Insulation pan frontside/backside	90L D800/850	
	87.7039.01 /02	*	Dämmung Tiegelrand vorn/hinten	Insulation pan frontside/backside	100L D800/850	
	87.7048.01 /02	*	Dämmung Tiegelrand vorn/hinten	Insulation pan frontside/backside	170L D800/850	
	87.7030.01 /02	*	Dämmung Tiegelrand vorn/hinten	Insulation pan frontside/backside	80L	9401...
3	76.4169	0G2819	Halter Begrenzer	Support Limiter		
4	712 044120.06	0G3997	Keps-Mutter M6	Keps nut M6		
5	87.9147.01_KD	0G6280	Sensor TC Kochgut, gelb	TC sensor food, yellow		
	86.9084.01	0G5911	Sensor TC Kochgut, gelb	TC sensor food, yellow		2151...
6	87.4058	0G7134	Halter zu Kochgutfühler groß	Support for food sensor, big		
7	1 701 3016	0G5739	Sechskantmutter M6	Hex nut M6		
8	1 701 3545	0K1298	Unterlegscheibe M6	Washer M6		
9	1 701 5007	0G6058	Federscheibe M6	Spring washer M6		
10	76.9117.07	0G5933	Kabel: Haupterdraht 10mm²	Cable: Main earthing 10mm²		
11	87.9045	0G5935	TC Boden Sensor rechts, blau	TC bottom sensor right, blue		
12	87.9046	0G5934	TC Boden Sensor links, grün	TC bottom sensor left, green		
13	86.7006.01	0G4605	Heizelement 67x490 (230V/1.7kW)	Heating element 67x490 (230V/1.7kW)	60/90L Standard	
	86.7006.03	0G5485	Heizelement 67x490 (254V/1.7kW)	Heating element 67x490 (254V/1.7kW)	60/90L Marine 400/400V	
	86.7006.05	0G7155	Heizelement 67x490 (208V/1.7kW)	Heating element 67x490 (208V/1.7kW)	60/90L USA	
	86.7005.01	0G4606	Heizelement 76x490 (230V/1.7kW)	Heating element 76x490 (230V/1.7kW)	100/170L Standard	
	86.7005.03	0G5488	Heizelement 76x490 (254V/1.7kW)	Heating element 76x490 (254V/1.7kW)	100/170L Marine 400/400V	
	86.7005.05	0G7156	Heizelement 76x490 (208V/1.7kW)	Heating element 76x490 (208V/1.7kW)	100/170L USA	
	86.7026.01	0G5712	Heizelement RED. (230V/1.7kW)	Heating element RED. (230V/1.7kW)	80L Standard	
	86.7026.03	0G7791	Heizelement RED. (254V/1.7kW)	Heating element RED. (254V/1.7kW)	80L Marine 400/440V	
14	1 701 3547	0G5469	Unterlegscheibe M8	Washer M8		
15	1 701 3044	0K4612	Sechskantmutter M8	Hex nut 8		
16	1 115 1772	0G4896	Distanzhalter M8x25	Spacer M8x25		
17	87.7001	*	Isolation Heizelemente	Insulation heating elements	60/90L	
	87.7002	*	Isolation Heizelemente	Insulation heating elements	100/170L	
	87.7029	*	Isolation Heizelemente	Insulation heating elements	80L	9401...
18	86.5202	0G5466	Halteblech Isolation	Metal suport for insulation	100/170L	
	86.5200	0G5465	Halteblech Isolation	Metal suport for insulation	60/90L	
	76.2546	0G8595	Halteblech Isolation	Metal suport for insulation	80L	9401...
19	1 701 7550	0G4894	Dichtband 12x2	Sealing strip 12x2		
20	*	*	Bodenblech	Bottom panel		
21	1 701 2509	0K4598	Schraube M5x12	Screw M5x12		
22	76.9148	0K4977	Anschlussklemme 4-polig	Terminal 4-pole		
23	1 701 3502	0G3595	Unterlegscheibe M4	Washer M4		
24	1 701 5002	0KL273	Federscheibe M4	Spring washer M4		
25	1 701 2084	0G3586	Zylinderkopfschraube M4x25	Allen bolt M4x25		
26	71.0505.03	0G2881	Kabelklemme	Cable clamp		
27	1 701 1541	0G3674	Schraube M4x10	Screw M4x10		
	86.9134.01	0G5942	Verdrahtung Heizblock - Heizblock	Wiring: heating elem. -heating element	Standard / Marine 400/440V	
	86.9134.02	0G5943	Verdrahtung Heizblock - Klemme	Wiring: heating elem. -terminal	Standard / Marine 400/440V	
	86.9145.01	0G5944	Kabel: Heizung - Schützen 2.5mm²	Cable: heating - conductor 2.5mm²	Standard / Marine 400/440V	
	86.9145.02	0G5945	Kabel: Heizung - Schützen 2.5mm²	Cable: heating - conductor 2.5mm²	Standard / Marine 400/440V	



8	Alias	Code	Bezeichnung	Description	Ref.	Valid from Serial N°
1	87.4733	0G5995	Deckel	Lid	100/170L	
	87.4797	0G7117	Deckel	Lid	100/170L	3041...
	87.4776	0G7118	Deckel	Lid	60/90L	
	76.6086.02	0T2698	Deckel	Lid	80L	until 9391...
	87.4090	0G8728	Deckel	Lid	80L	9401...
2	86.3253	0G6631	Griff	Knob		
3	87.4038	0G7119	Deckelträger	Lid support	60/90/100/170L D900	
	87.4041	0G7120	Deckelträger	Lid support	60/90/100/170L D800/850	
	87.4095	0G8659	Deckelträger	Lid support	80L D900	9401...
	87.4098	0G8660	Deckelträger	Lid support	80L D800/850	9401...
4	1 701 5008	0KL250	Federscheibe M8	Spring washer M8		
5	1 701 3513	0G6088	Unterlegscheibe M8	Washer M8		
6	1 701 2570	0G5820	Sechskantschraube M8x20	Hex bolt M8x20		
	0001551800	0C0113	Hutmutter M8	Acorn nut M8		
7	70.0750.07	0G3736	Deckeldrehgelenk	Lid hinge	60/90/100/170L	
	70.0750.07	0G3736	Deckeldrehgelenk	Lid hinge	80L	9401...
	716 045137	0H9913	Deckeldrehgelenk	Lid hinge	80L	until 9391...
8	1 701 2543	0K4601	Sechskantschraube M10x35	Hex bolt M10x35	60/90/100/170L	
	1 701 2543	0K4601	Sechskantschraube M10x35	Hex bolt M10x35	80L	9401...
	1 701 2541	0K4600	Sechskantschraube M10x25	Hex bolt M10x25	80L	until 9391...
9	1 701 5040	0K4616	Federscheibe M10	Spring washer M10		
10	1 701 3516	0T5917	Unterlegscheibe M10	Washer M10		
11	1 701 3044	0K4612	Sechskantmutter M8	Hex nut M8		
12	1 701 5008	0KL250	Federscheibe M8	Spring washer M8		
13	1 701 3513	0G6088	Unterlegscheibe M8	Washer M8		
14	70.0764	0KL251	Winkel	Angle		
15	70.0765.02	0G7121	Abdeckblech	Cover sheet	60/90/100/170L	
	70.0765.02	0G7121	Abdeckblech	Cover sheet	80L	9401...
	70.0765.01	0KL252	Abdeckblech	Cover sheet	80L	until 9391...
16	1 701 1541	0G3674	Schraube M4x10	Screw M4x10		

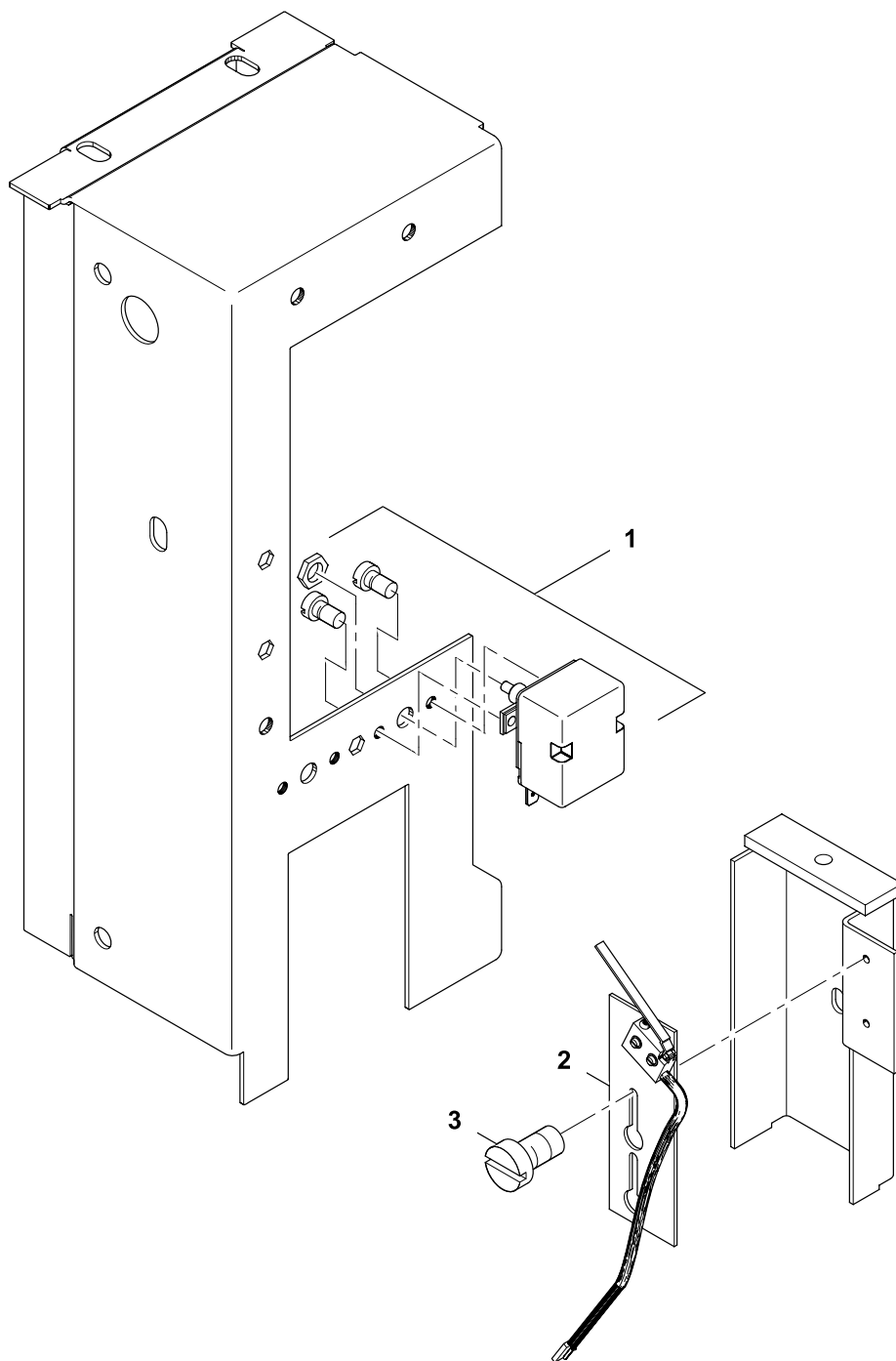




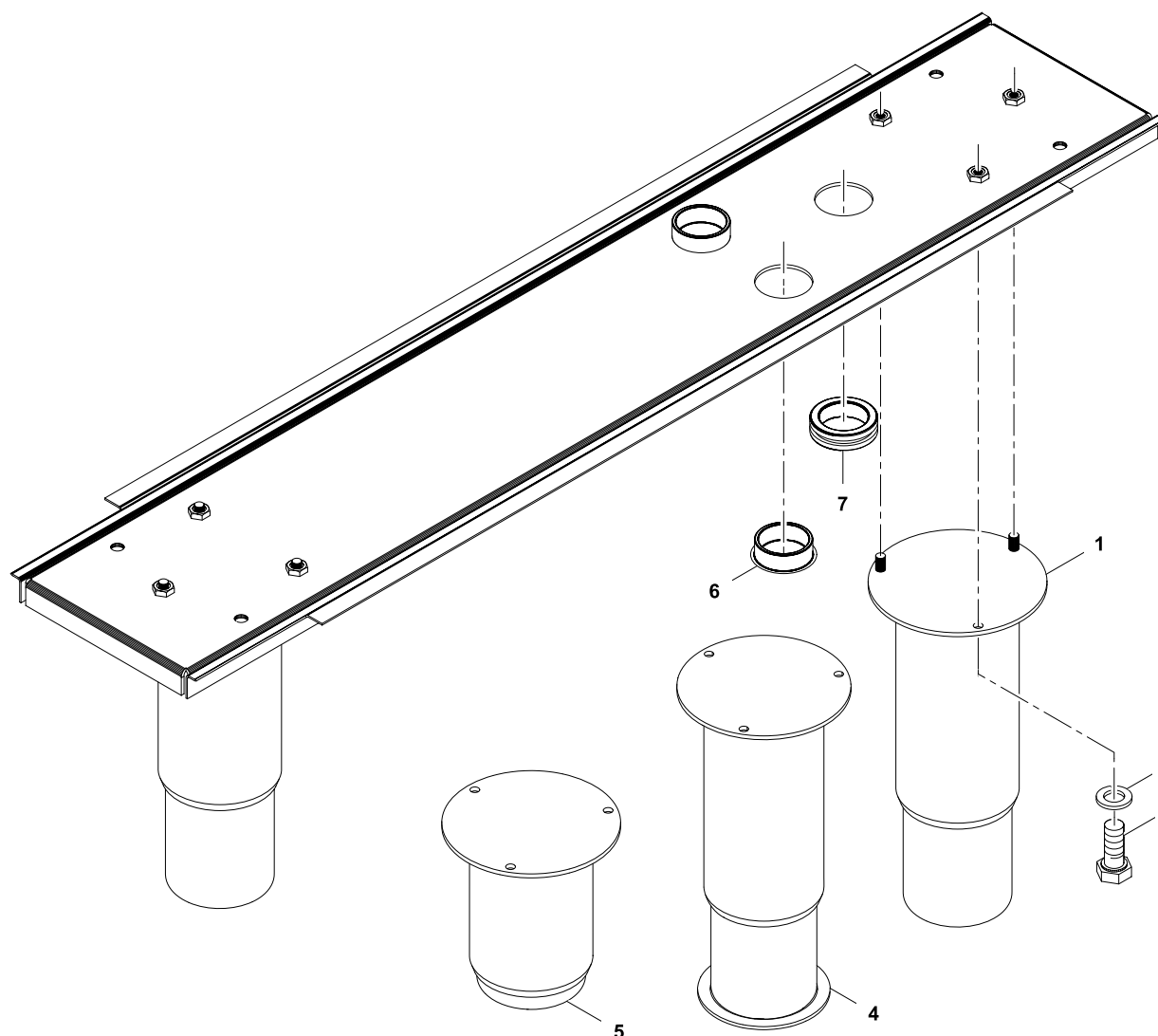




10	Alias	Code	Bezeichnung	Description	Ref.	Valid from Serial N°
	76.2013.01_KD	OKL304	Kit Zweihebel-Mischbatterie 330x600mm Kit enthält Pos.: 1-16, 18-20, 22	Kit mixing tap, 2 knobs, 330x600mm Kit contains pos.: 1-16, 18-20, 22		
1	712 344884.04	OK5360	KWC Schwenkauslauf 3/4", 600mm	KWC swivel spout 3/4", 600mm		
	712 344884.03	OK5358	KWC Schwenkauslauf 3/4", 450mm	KWC swivel spout 3/4", 450mm		
	712 344884.02	OK5359	KWC Schwenkauslauf 3/4", 300mm	KWC swivel spout 3/4", 300mm		
2		OK3930	Dichtungsringe	Sealing rings		
3	712 344884.01	OK5355	KWC Zweihebel-Mischbatterie	KWC Mixing tap, 2 knobs		
4		OK5357	Ventileinsatz 3/4"	Valve insert 3/4"		
5a		OK5826	Griff blau	Knob blue		
5b		OK5827	Griff rot	Knob red		
6		OG3239	Set Verschraubung 5/4"	Kit Fixation 5/4"		
7	72.5976.01	OG5227	Standrohr 460mm	Stand pipe 460mm		
	72.5976.02	OG3179	Standrohr 330mm	Stand pipe 330mm		
	72.5976.03	OG4753	Standrohr 160mm	Stand pipe 160mm		
8	72.0435	OG3091	Rosette zu Standrohr	Stand pipe collar		
9	72.5919	OKT745	Sicherungsring	Fixation ring		
10	712 044480.14	OKT793	O-Ring ORM 0530-20	Joint ORM 0530-20		
11	1 701 2632	OG3677	Sechskantschraube M4 x 16	Hex bolt M4x16		
12	1 701 5002	OKL273	Federring M4	Spring washer M4		
13	76.0119.01	OT2658	Konsole Mischbatterie	Console mixing tap		
14	712 044120.05	OG3998	Kepsmutter M5	Keps nut M5		
15	76.0033	OG3979	Hutprofil	Clamping profile		
16	1 101 8129	OG3676	Innensechskantschraube M5 x 16	Allen bolt M5 x 16		
17		OG3238	Tropfenschutz 3/4"	Drip stop 3/4"		
18	712 344893.01	OKW734	Panzerschlauch L1700 G1/2" / R1/2"	Armored hose L1700 G1/2" / R1/2"		until 9441...
	87.7188.01	OG8753	Panzerschlauch L1700 G1/2" - I/A	Armored hose L1700 G1/2" - I/A		9451...
	712 344893.02	OK5363	Panzerschlauch L1100 G1/2" / R1/2"	Armored hose L1100 G1/2" / R1/2"		until 9441...
	87.7188.02	OG8754	Panzerschlauch L1100 G1/2" - I/A	Armored hose L1100 G1/2" - I/A		9451...
	712 344893.03	OG6530	Panzerschlauch L600 G1/2"	Armored hose L600 G1/2"		until 9441...
	87.7188.03	OG8755	Panzerschlauch L600 G1/2" - I/A	Armored hose L600 G1/2" - I/A		9451...
19	712 044481.21	OG3610	Flachdichtung Ø 18/11x2 G1/2"	Flat seal Ø 18/11x2 G1/2"		until 9051...
	87.2429	OG8524	Flachdichtung Ø 18/11x2	Flat seal Ø 18/11x2		9061...
20	1 101 3797	OKE129	Stützhülse	Sleeve		
21	1 101 3798	OK4489	Winkel-Anschluss G1/2"	Angle connection G1/2"		
22	1 101 2075	OKX119	Anschluss G1/2"	Connection G1/2"		
23	87.5168	OG6646	WFA Adapter G1/2"	WFA Adapter G1/2"		
24	712 344884.05	*	KWC Einhebel-Mischbatterie	KWC mixing tap, one lever		
25		OKI140	Steuerpatrone	Mixer tap cartridge		
26	Z.632.240	KWC	Kunststoffeinsatz	Plastic insert		
27	Z.602.997	KWC	Schraube M4 x 15	Screw M4 x 15		
28	Z.535.675	KWC	Befestigung mit Gleitringen	Fixation with slide rings		
29	Z.634.829	KWC	Bedienhebel , chrom	Control lever, chrome		
30	Z.605.952	KWC	Gewindestift M6 x 10	Set screw M6 x 10		
31	Z.535.674	KWC	Bedienhebel mit Befestigung	Control lever with fixation		

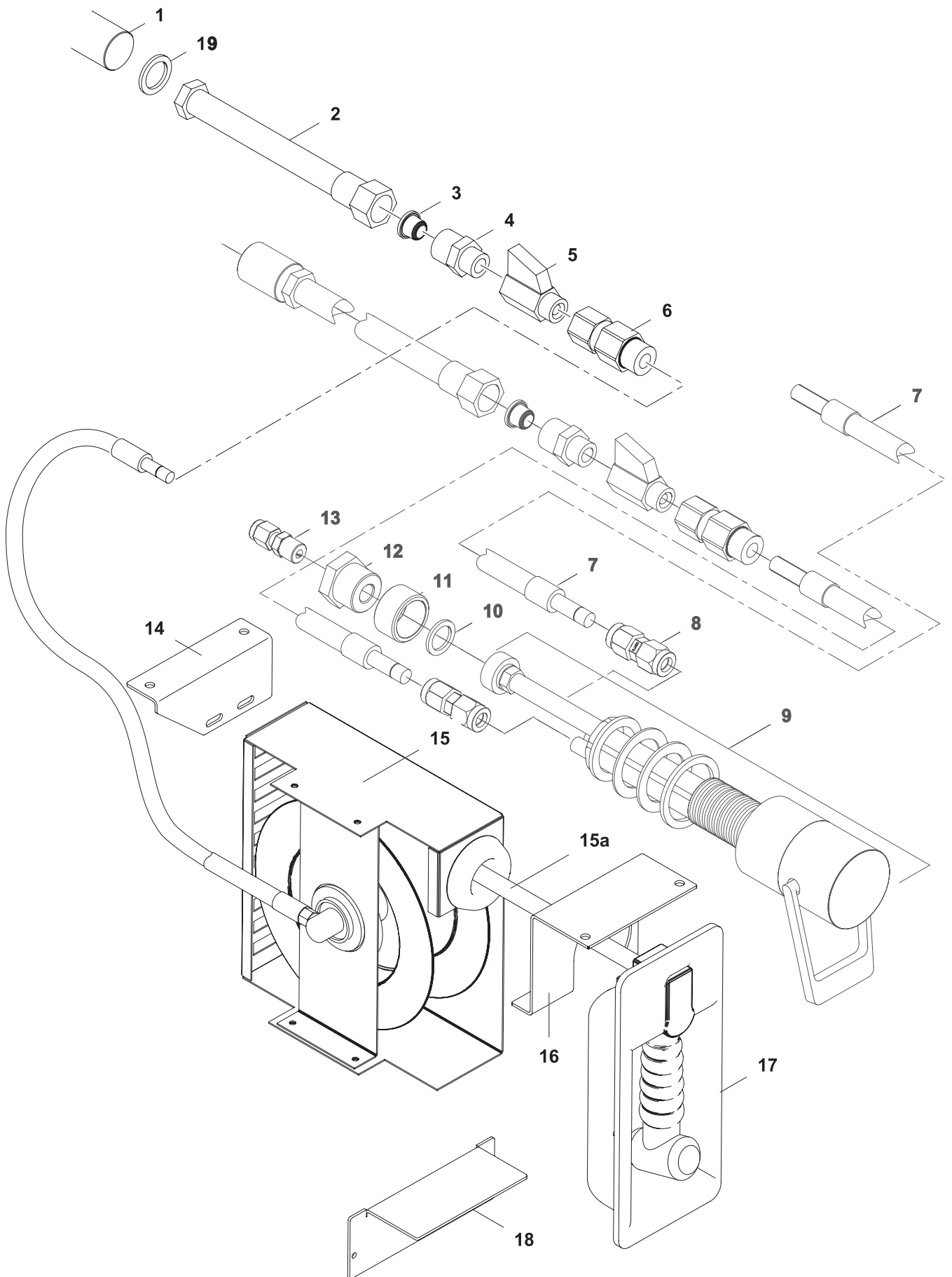


11	Alias	Code	Bezeichnung	Description	Ref.	Valid from Serial N°
1	75.0010	0H9835	Kapillarrohrbegrenzer	Limiter		
2	87.9092	0G6381	Kabel mit Mikroendschalter	Cable with mirco switch	Standard / Marine 400/440V	
	87.9195	0G7154	Kabel mit Mikroendschalter UL	Cable with mirco switch UL	USA	
3	1 701 1541	0G3674	Schraube M4x10	Screw M4x10		



12	Alias	Code	Bezeichnung	Description	Ref.	Valid from Serial N°
1	72.4249	059218	Stellfuss 2" H200	Adjustible feet 2" H200	Standard + USA H700	
2	1 701 5004	0H9734	Federscheibe M5	Spring washer M5		
3	1 701 2509	0K4598	Sechskantschraube M5x12	Hex bolt M5x12		
4	72.4250.01	0G7274	Stellfuss 2" Marine H200	Adjustible feet 2" Marine H200	Marine 400/400V	
5	72.4344	0G2948	Stellfuss 2" H100	Adjustible feet 2" H100	Standard H800	
6	1 201 1925	0G7248	Abdeckkappe	Cover cap		
7	712 044961.17	0KT854	Kabelltülle Ø25 Ø31 Ø35 x 10	Cable sleeve Ø25 Ø31 Ø35 x 10		

\* Components on demand  
\* Teile auf Anfrage



13	Alias	Code	Bezeichnung	Description	Ref.	Valid from Serial N°
1	87.5168	OG6646	Adapter zu WFA	Adapter for WFA		
2	712 344893.04	OG7140	Panzerschlauch L600	Armored hose L600		until 9441...
	87.7188.04	OG8756	Panzerschlauch L600	Armored hose L600		9451...
3	1 701 2827	OG6842	Hutfilter 1/2-50/50 H12	Filter insert 1/2-50/50 H12		
4	1 116 1219	OG6843	Reduziernippel	Reduction nipple		
5	86.1086	OG6844	Kugelhahn mini 3/8"	Ball valve mini 3/8"		
6	86.1087	OG6845	Rückschlagventil 3/8"	Check valve 3/8"		until 9051...
	87.7151	OG8523	Rückschlagventil 3/8"	Check valve 3/8"		9061...
7	87.5147	OG6846	Schlauch Ø10	Hose Ø10		until 9051...
8	1 101 2156	OG6847	Gerade Verschraubung mit Rohranschluss	Straight pipe fitting		until 9051...
9	86.7120	OG6839	Einhebelmischer	One-lever mixer tap		until 9051...
10	712 044481.04	OG3951	Flachdichtung Ø24x17x2	Flat sealing		until 9051...
11	1 116 1156	OG6848	Muffe halb 3/4" - 1/4"	Turnbuckle 3/4" - 1/4"		until 9051...
12	1 117 1296	OG6851	Buchse 3/4" - 1/4"	Hex bushing 3/4" - 1/4"		until 9051...
13	1 101 3901	OKT947	Verschraubung mit Einschraubnippel	Pipe fitting with threaded nipple		until 9051...
14	87.4035	*	Halter Spray Gun oben	Upper spray gun support		
15	86.7123	OG5969	Spray Gun	Spray gun		
15a	87.7068	OG6579	Schlauch EPDM zu Spray Gun	Hose EPDM for spray gun		
16	87.5152	*	Halter Spray Gun oben (H400)	Upper Spray gun support (H400)	H400	
17	86.7124	OG7860	Frontblende Spray Gun	Front panel spray gun		
18	87.4034	*	Halter Spray Gun unten (H700)	Lower spray gun support (H700)	H700	
19	87.2429	OG8524	Dichtung 18x11x2	Sealing 18x11x2		9061...