

PROTHERMETIC**DE
EN****PBON-S/Q
PBON-S/Q****STANDKOCHKESSEL, DAMPF, RUND
BOILING PAN, STEAM, ROUND**

Page	Baugruppe	Assembly group	Models
2	Verschaltung	Casing	PBON-S/Q
4	Magnetschalter	Solenoid switch	PBON-Q
5	Auslaufhahn	Drain tap	PBON-S/Q
6	Deckel	Lid	PBON-S/Q
7	Füße	Feet	PBON-S/Q
8	Rührwerk	Stirring system	PBON-Q
10	Schalterfront Steuerung	Switch panel control system	PBON-S/Q
12	Mischbatterie	Mixing tap	PBON-S/Q
14	Wasser Füll Automat	Automatic Water Filling	PBON-S/Q
16	Dampfleitugen, Sicherheits- ventil	Steam lines, Saftey valve	PBON-S/Q
18	Steuerung	Control system	PBON-S/Q

Last Updates

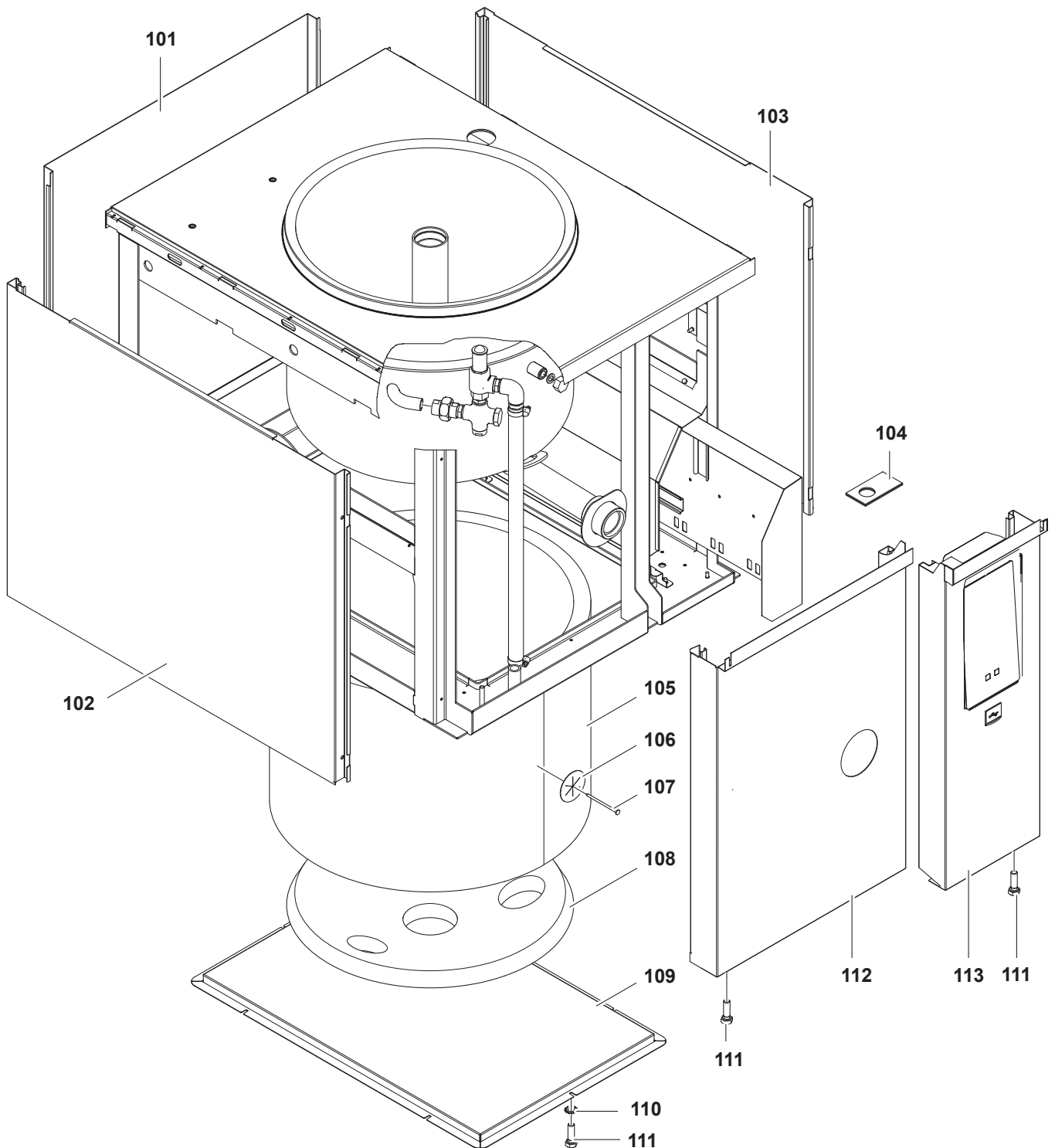
03/2016
11/2017
11/2017
06/2018
10/2018
01/2019
06/2019
08/2019
11/2019
04/2021
08/2023

Page

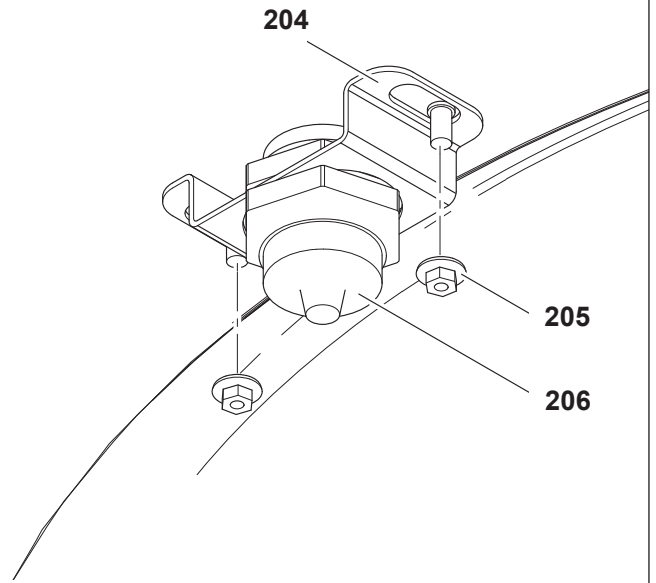
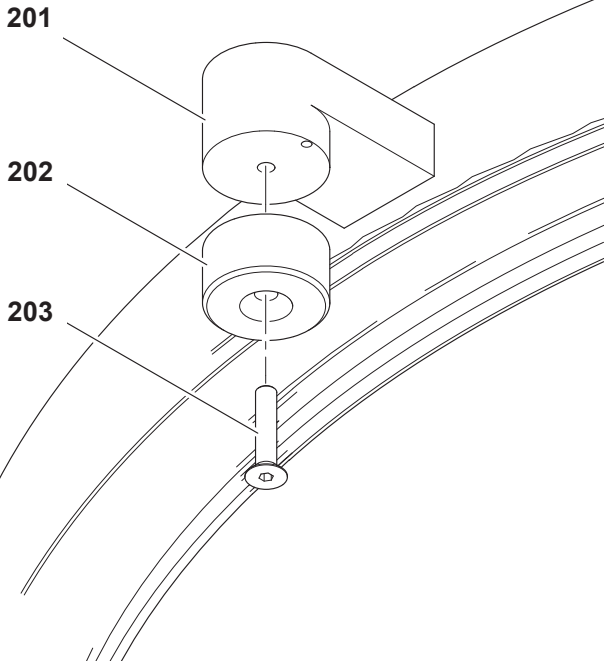
all
12
13
8, 9
5
19
11
13
13
19
14 / 15

Pos.

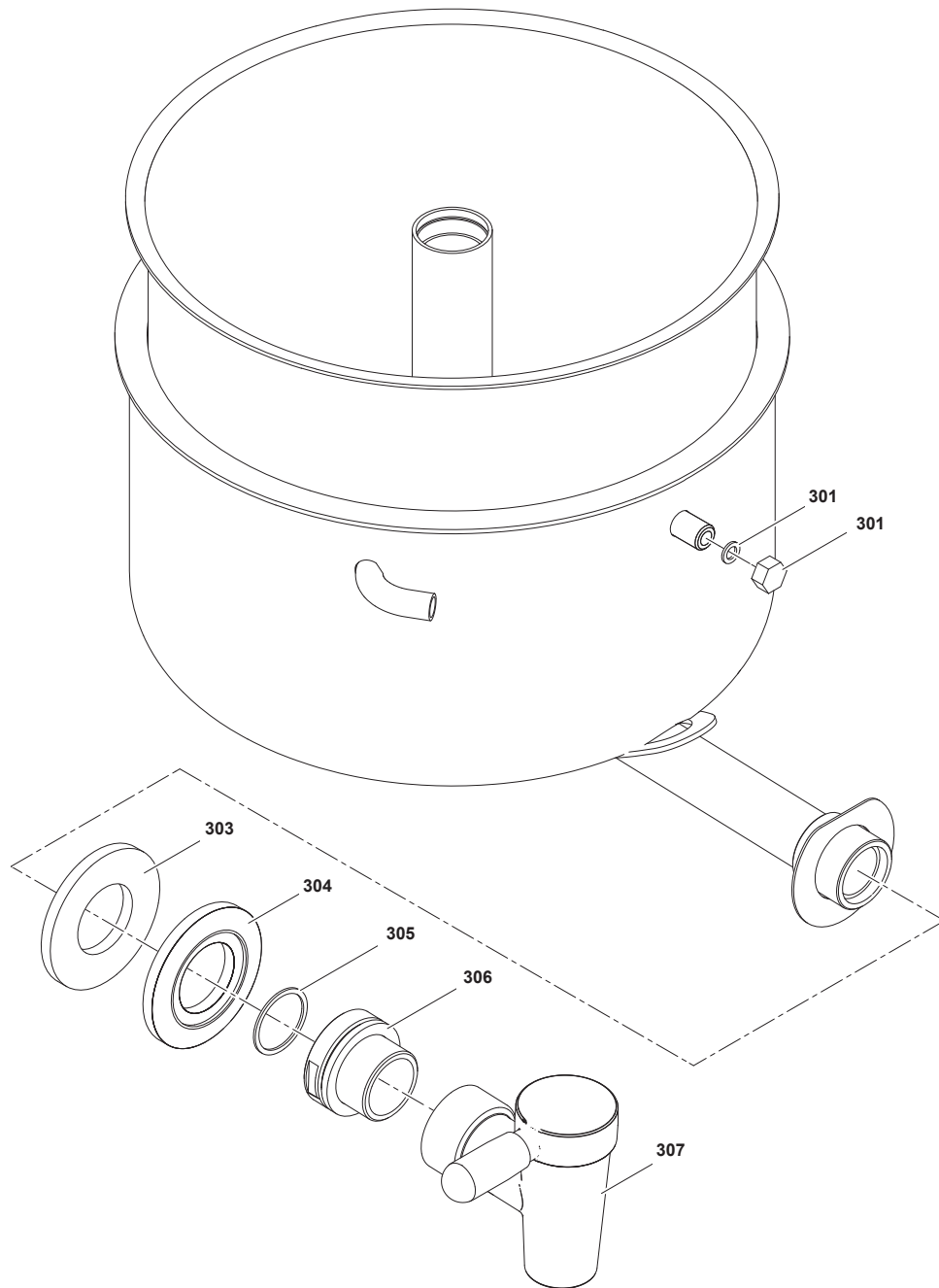
exploded view
first line, 1
23, 24, 25, 26, 27
drawing
2, 29, 30, 31
12
-
7
2
added WFA



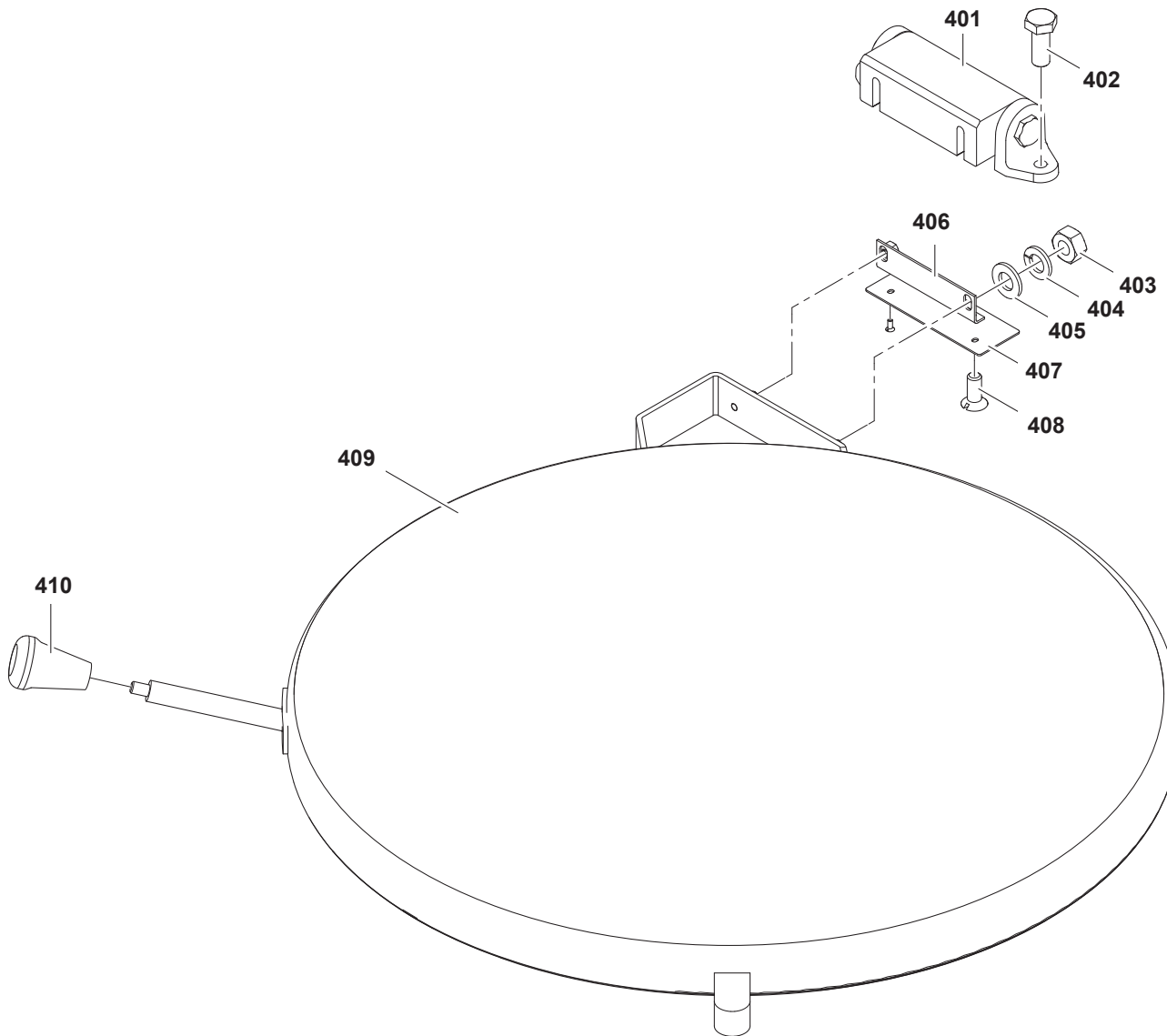
1	Alias	Code	Bezeichnung	Description	Ref.	Valid from Serial N°
101	86.2788.01	*	Rückpanel PBON06 B700 / H700	Rearpanel PBON06 W700 / H700		
101	86.2788.02	*	Rückpanel PBON10 B800 / H700	Rearpanel PBON10 W800 / H700		
101	86.2788.03	*	Rückpanel PBON15 B900 / H700	Rearpanel PBON15 B900 / H700		
101	86.2788.07	*	Rückpanel PBON06 B700 / H800	Rearpanel PBON06 W700 / H800		
101	86.2788.08	*	Rückpanel PBON10 B800 / H800	Rearpanel PBON10 W800 / H800		
101	86.2788.09	*	Rückpanel PBON15 B900 / H800	Rearpanel PBON15 B900 / H800		
102	86.2787.02	*	Seitenwand links H700 / T900	Sidepanel left H700 / D900		
102	86.2787.04	*	Seitenwand links H700 / T850	Sidepanel left H700 / D850		
102	86.2787.06	*	Seitenwand links H700 / T800	Sidepanel left H700 / D800		
102	86.2787.08	*	Seitenwand links H800 / T900	Sidepanel left H800 / D900		
102	86.2787.12	*	Seitenwand links H800 / T800	Sidepanel left H800 / D800		
103	86.2787.01	*	Seitenwand rechts H700 / T900	Sidepanel right H700 / D900		
103	86.2787.03	*	Seitenwand rechts H700 / T850	Sidepanel right H700 / D850		
103	86.2787.05	*	Seitenwand rechts H700 / T800	Sidepanel right H700 / D800		
103	86.2787.07	*	Seitenwand rechts H800 / T900	Sidepanel right H800 / D900		
103	86.2787.11	*	Seitenwand rechts H800 / T800	Sidepanel right H800 / D800		
104	76.4169	OG2819	Fühlerhalter	Sensor fixation		
105	87.2105.01	*	Isolation Kessel 60L	Insulation Kettle 60L	PBON06	
105	87.2105.02	*	Isolation Kessel 100L	Insulation Kettle 100L	PBON10	
105	87.2105.03	*	Isolation Kessel 150L	Insulation Kettle 150L	PBON15	
106	1 201 1961	OG4127	Isolationsclip	Insulation clip		
107	1 201 1959	OG6987	Isolationsnagel	Insulation nail		
108	87.2113.01	*	Isolation Kesselboden 60L	Insulation kettle bottom 60L	PBON06	
108	87.2113.02	*	Isolation Kesselboden 100L	Insulation kettle bottom 100L	PBON10	
108	87.2113.03	*	Isolation Kesselboden 150L	Insulation kettle bottom 150L	PBON15	
109	86.2759.01	*	Bodenblech PBON06 T900	Bottom plate PBON06 D900		
109	86.2759.02	*	Bodenblech PBON10 T900	Bottom plate PBON10 D900		
109	86.2759.03	*	Bodenblech PBON15 T900	Bottom plate PBON15 D900		
109	86.2759.07	*	Bodenblech PBON06 T850	Bottom plate PBON06 D850		
109	86.2759.08	*	Bodenblech PBON10 T850	Bottom plate PBON10 D850		
109	86.2759.09	*	Bodenblech PBON15 T850	Bottom plate PBON15 D850		
109	86.2759.13	*	Bodenblech PBON06 T800	Bottom plate PBON06 D800		
109	86.2759.14	*	Bodenblech PBON10 T800	Bottom plate PBON10 D800		
110	1 701 3545	OKI298	U-Scheibe 6.4x18x1.6	Washer 6.4x18x1.6		
111	1 701 2509	OK4598	Schraube 6kt M5 x 12	Hexscrew M5 x 12		
112	86.2749.01	*	Frontpanel PBON06 H700	Frontpanel PBON06 H700	PBON06	
112	86.2749.02	*	Frontpanel PBON10 H700	Frontpanel PBON10 H700	PBON10	
112	86.2749.03	*	Frontpanel PBON15 H700	Frontpanel PBON15 H700	PBON15	
112	86.2749.14	*	Frontpanel PBON06 H800	Frontpanel PBON06 H800	PBON06	
112	86.2749.15	*	Frontpanel PBON10 H800	Frontpanel PBON10 H800	PBON10	
112	86.2749.16	*	Frontpanel PBON15 H800	Frontpanel PBON15 H800	PBON15	
113	87.1028.01	*	Steuerfront H700	Control panel H700	all H700	
113	87.1028.02	*	Steuerfront H800	Control panel H800	all H800	
113	87.1028.03	*	Steuerfront H700 mit Rührwerk	Control panel H700 with Stirrer	H700 with stirrer	
113	87.1028.04	*	Steuerfront H800 mit Rührwerk	Control panel H800 with Stirrer	H800 with stirrer	



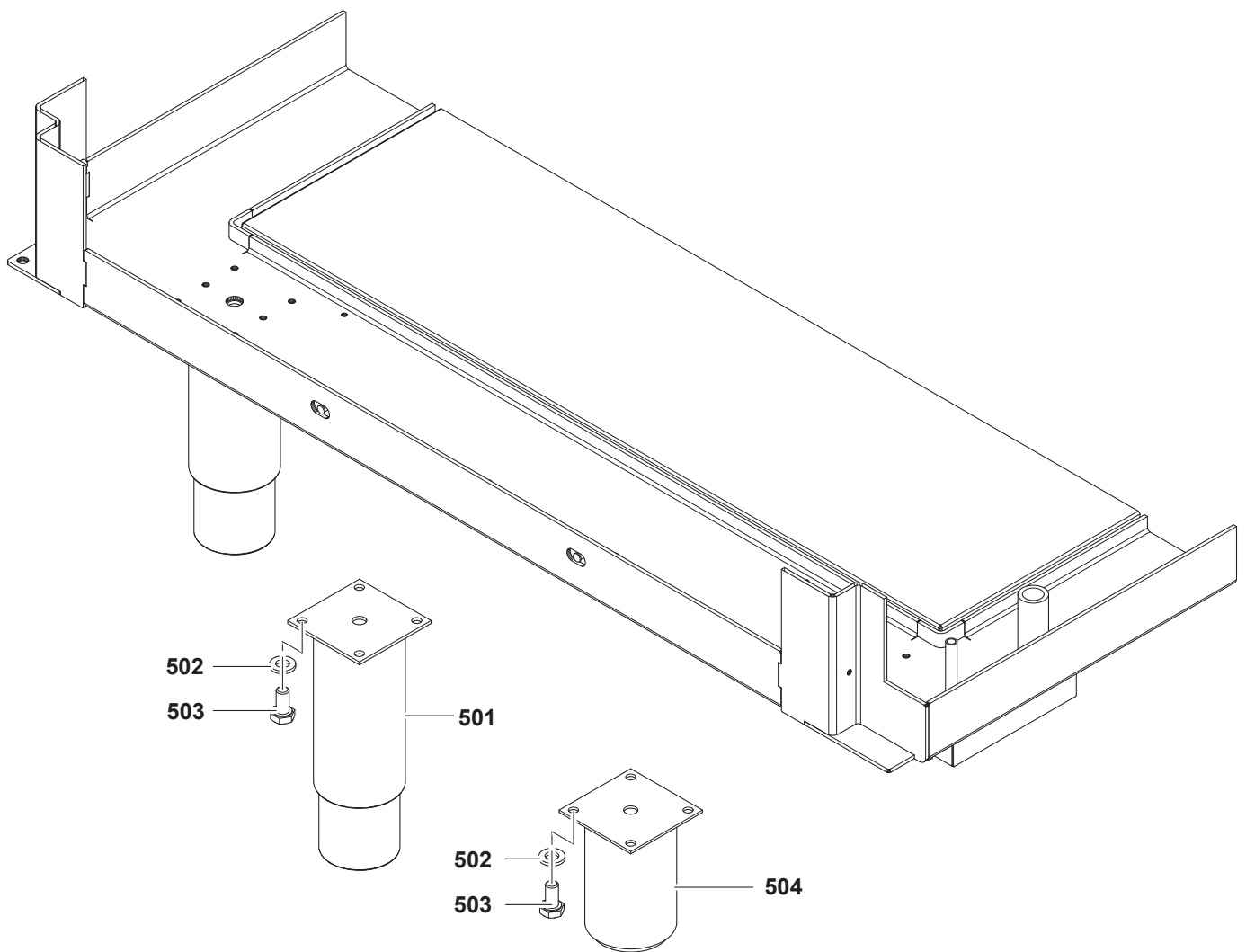
2	Alias	Code	Bezeichnung	Description	Ref.	Valid from Serial N°
201	86.2551.04	*	Deckel PBON06 mit Rührwerk	Lid PBON06 with stirrer	PBON06	
201	86.2551.05	*	Deckel PBON10 mit Rührwerk	Lid PBON10 with stirrer	PBON10	
201	86.2551.06	*	Deckel PBON15 mit Rührwerk	Lid PBON15 with stirrer	PBON15	
202	76.9345.02	0U0179	Magneteinsatz	Magnet insert	PBON-Q	
203	1 701 1072	0G6833	Senkschraube M5x25	Countersunk screw M5x25	PBON-Q	
204	76.4597	0G8768	Halter Sicherheitsschalter	Support safety switch	PBON-Q	
205	712 044120..04	0G4918	Kepsmutter M4	Keps nut M4	PBON-Q	
206	76.9345.01	0U0178	Magnetschutzschalter	Solenoid switch	PBON-Q	



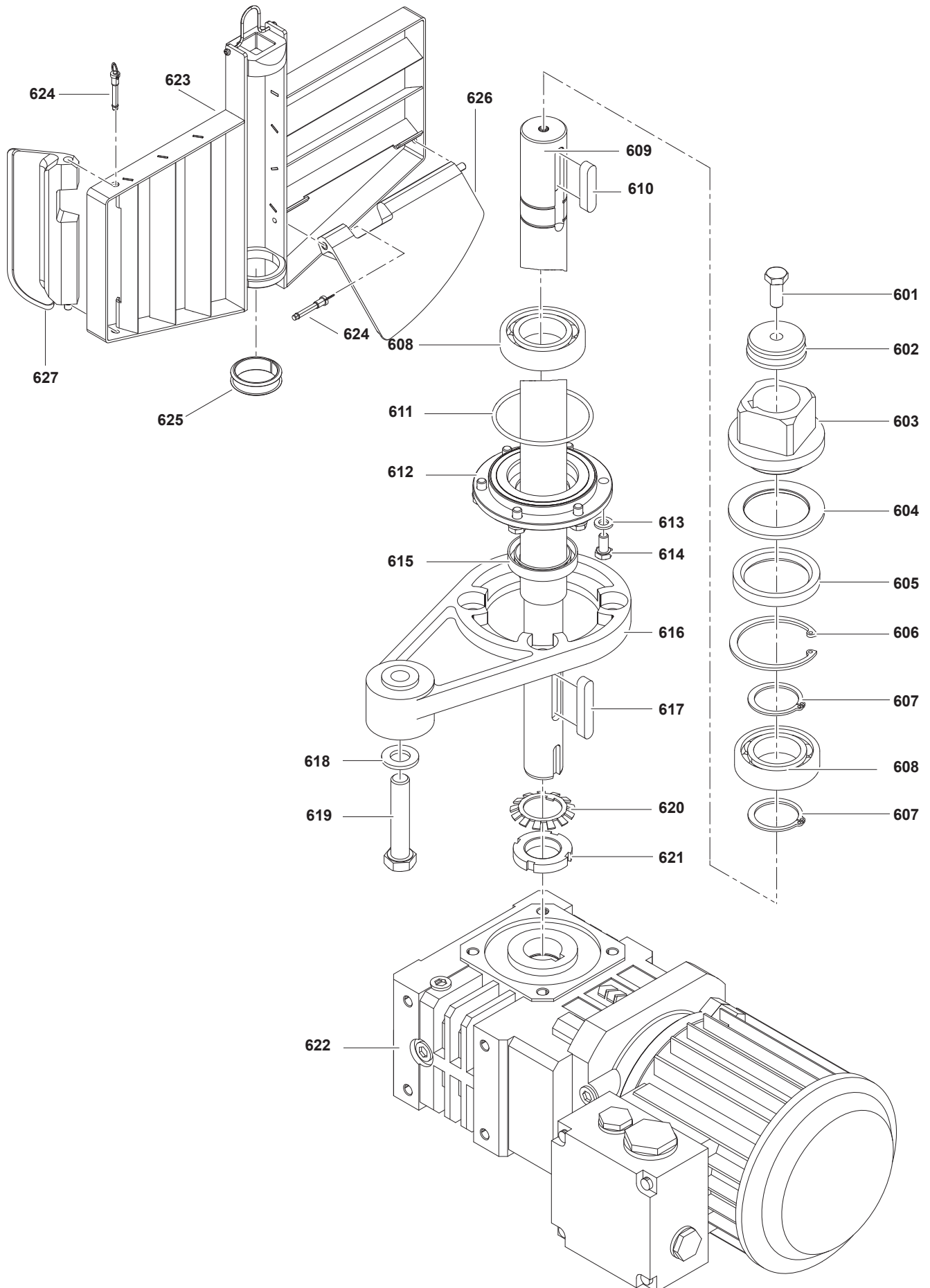
3	Alias	Code	Bezeichnung	Description	Ref.	Valid from Serial N°
301	712 044481.21	0G3610	Flachdichtung Ø18/11	Flat gasket Ø18/11		
302	712 344853.09	0KX151	Gewindekappe G1/2"	Threaded cap G1/2"		
303	1 117 1289	0G5644	Dichtung zu Rosette	Gasket to rosette		
304	1 117 1262	0A2149	Rosette	Rosette		
305	76.6240	0G5164	Dichtung Ø49xØ57x2	Gasket Ø49xØ57x2		
306	76.6241	0G5165	Übergangsstück	Adapter piece		
307	87.7055	0G6498	Entleerhahn 2"	Drain tap 2"		



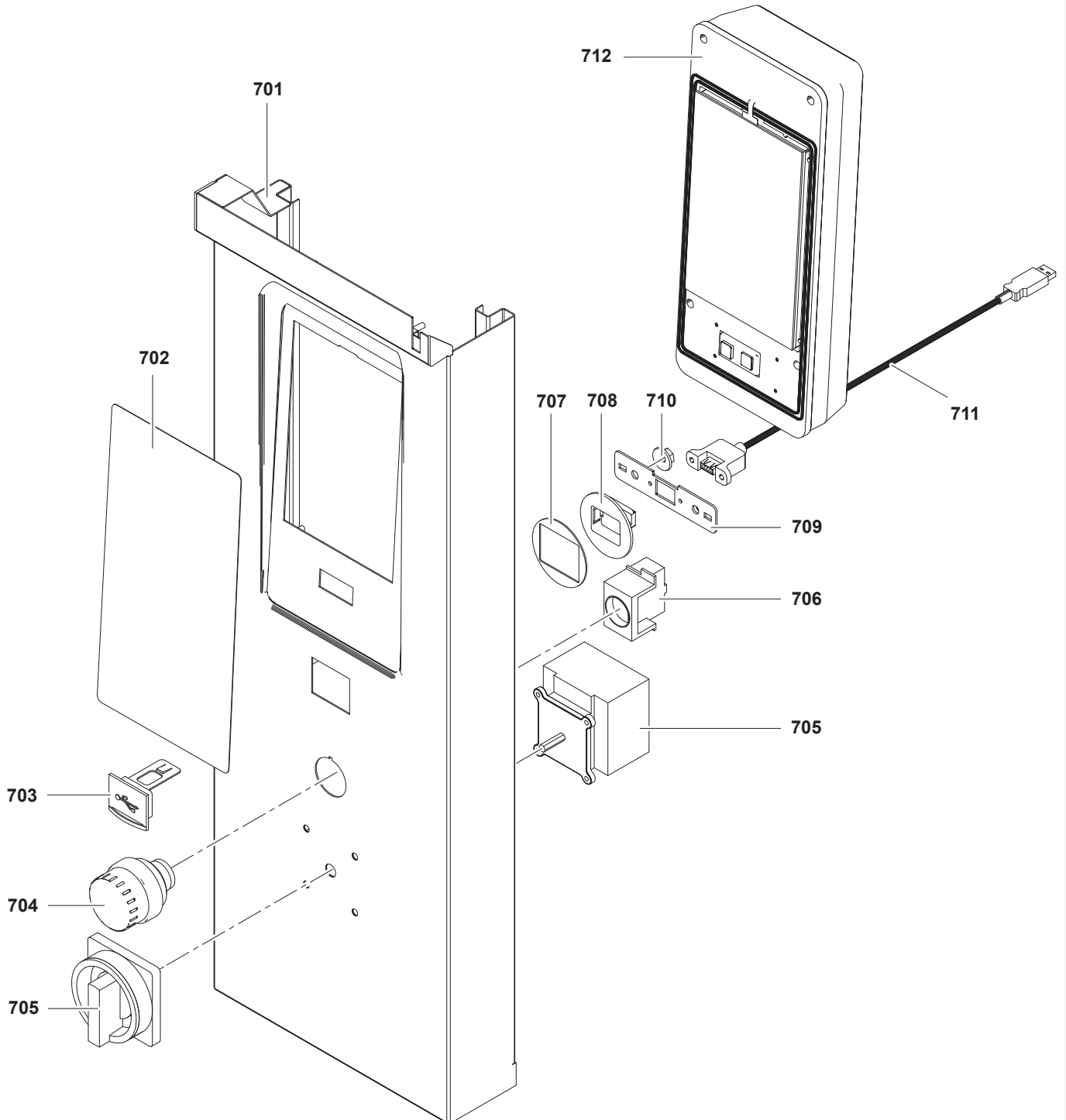
4	Alias	Code	Bezeichnung	Description	Ref.	Valid from Serial N°
401	86.2557	0G5098	Drehgelenk	Pivot joint	PBON06	
401	86.2558	0G7866	Drehgelenk	Pivot joint	PBON10	
401	86.2559	0G6382	Drehgelenk	Pivot joint	PBON15	
402	1 701 2541	0K4600	Schraube 6kt M10x25	Hex screw M10x25		
403	1 701 3044	0K4612	Mutter M8	Nut M8		
404	1 701 5008	0KL250	Federring M8	Spring washer M8		
405	1 701 3513	0G6088	U-Scheibe Ø8.4x17x1.6	Washer Ø8.4x17x1.6		
406	70.0764	0KL251	Winkel zu Drehgelenk	Angle for pivot joint		
407	70.0765.01	0KL252	Abdeckblech	Cover plate		
408	1 701 1504	0KX205	Linsenschraube M4x8	Fillister head screw M4x8		
409	86.2551.01	*	Deckel PBON06	Lid PBON06	PBON06S	
409	86.2551.02	*	Deckel PBON10	Lid PBON10	PBON10S	
409	86.2551.03	*	Deckel PBON15	Lid PBON15	PBON15S	
409	86.2551.04	*	Deckel PBON06 mit Rührwerk	Lid PBON06 with stirrer	PBON06Q	
409	86.2551.05	*	Deckel PBON10 mit Rührwerk	Lid PBON10 with stirrer	PBON10Q	
409	86.2551.06	*	Deckel PBON15 mit Rührwerk	Lid PBON15 with stirrer	PBON15Q	
410	86.3253	0G6631	Griff	Handle		



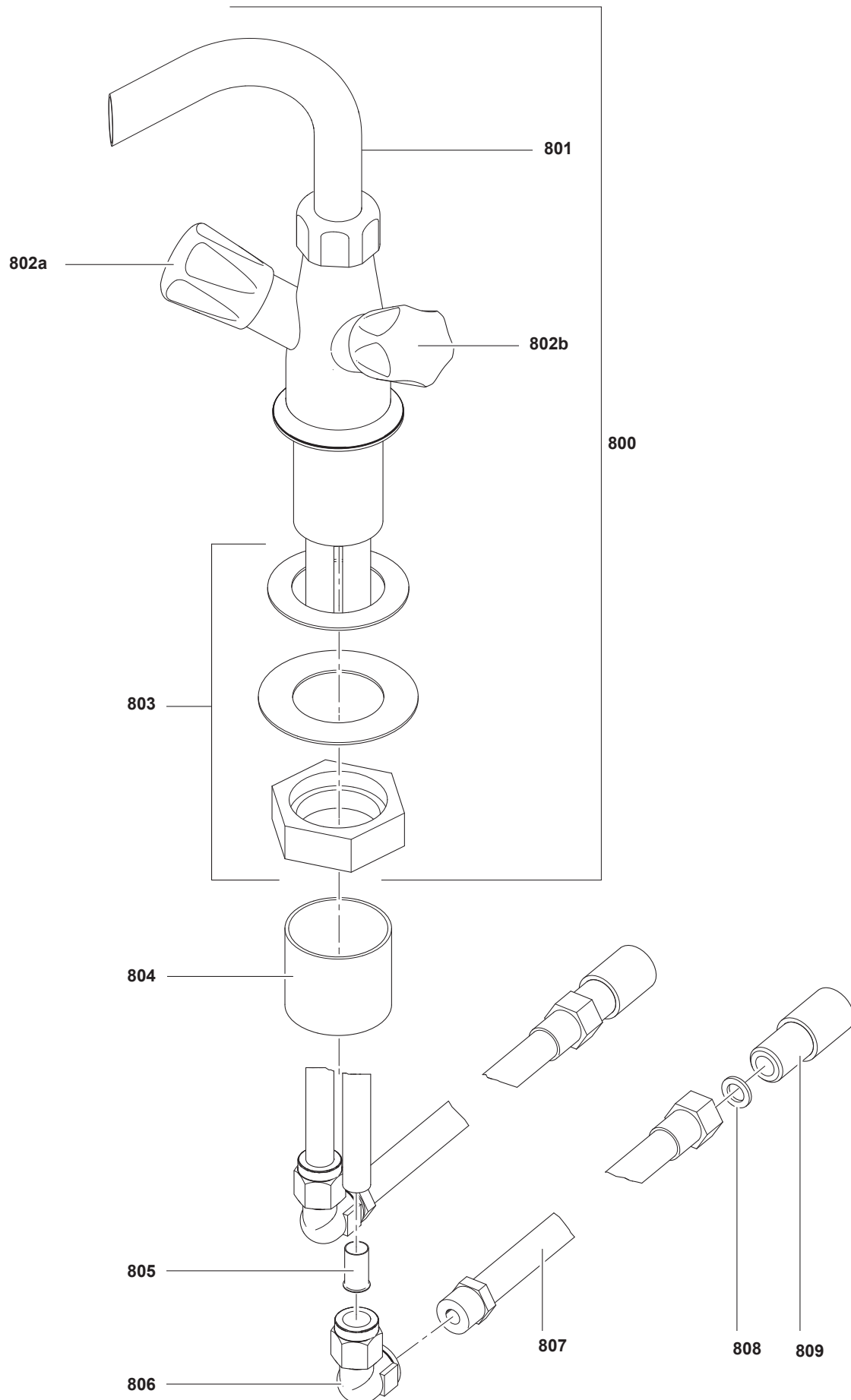
5	Alias	Code	Bezeichnung	Description	Ref.	Valid from Serial N°
501	86.0001	OG5391	Stellfuss 2" H200	Adjustable foot 2" H200	H700	
502	1 701 4003	OG3659	U-Scheibe Ø6.4x12x1.6	Washer Ø6.4x12x1.6		
503	1 701 2600	OKT919	Schraube 6kt M6x12	Hex screw M6x12		
504	86.2385	OG6140	Stellfuss 2" H100	Adjustable foot 2" H100	H800	

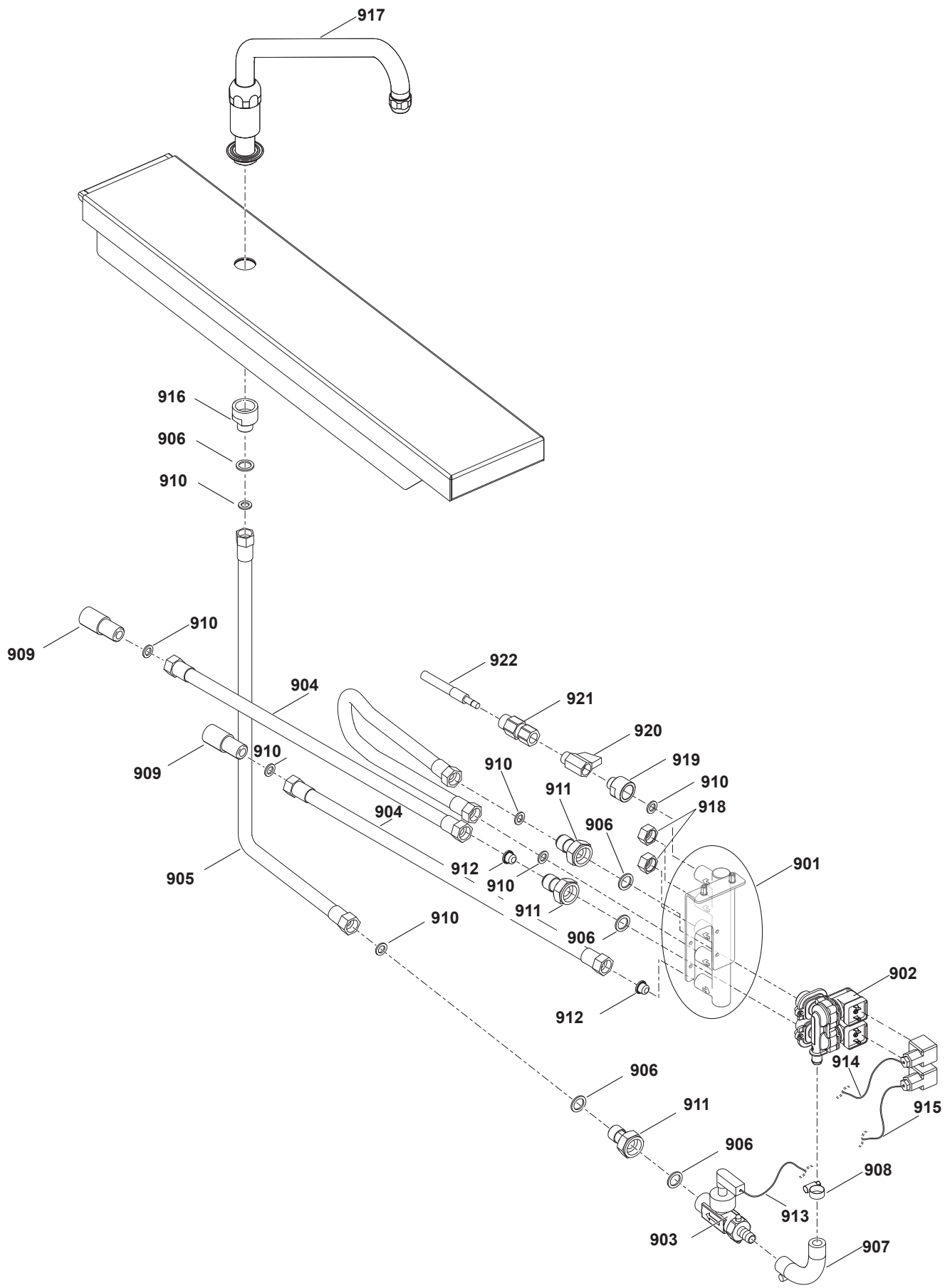


6	Alias	Code	Bezeichnung	Description	Ref.	Valid from Serial N°
601	1 701 2570	OG5820	Schraube 6kt M8x20	Hex screw M8x20		
602	76.4008	OK5588	Wellendeckel	Shaft end cap		
603	86.2078	OG5121	Wellenkopf	Shaft head		
604	86.2079	OG5125	Dichtungsring	Gasket		
605	1 201 2084		Radial-Wellendichtring DIN 3760-A 42x56x7	Radial shaft seal DIN 3760-A 42x56x7		
606	70.0809.03	OK6217	Sicherungsring	Circlip		
607	70.0810.02	OK4547	Sicherungsring für Wellen	Retaining ring for shafts		
608	70.0808.03	OK5259	Rillenkugellager DIN 625-6006	Grooved ball bearing DIN 625-6006		
609	86.2020.11	*	Welle Rührwerk 60L	Shaft stirrer 60L	PBON06Q	
609	86.2020.08	*	Welle Rührwerk 100/150L	Shaft stirrer 100/150L	PBON10/15Q	
610	70.0820.02	OK6227	Passfeder 8x7x36	Feather key 8x7x36		
611	1 201 2148	OG5124	O-Ring Ø60x2.62	O-ring Ø60x2.62		
612	86.2077	OG5120	Abschlussflansch	End flange		
613	1 701 4003	OG3659	U-Scheibe Ø6.4xØ12x1.6	Washer Ø6.4xØ12x1.6		
614	1 701 2569	OG3108	Schraube 6kt M6x16	Hex screw M6x16		
615	1 201 2147	OG5122	Radial-Wellendichtring DIN 3760-A 30x45x8	Radial shaft seal DIN 3760-A 30x45x8		
616	1 115 1756	OG5114	Support	Support	PBON06Q	
616	1 115 1755	OG5115	Support	Support	PBON10/15Q	
617	70.0820.04	OKX276	Passfeder 8x7x45	Feather key 8x7x45		
618	1 701 4020	OG3102	U-Scheibe Ø13xØ24x2.5	Washer Ø13xØ24x2.5		
619	1 701 2595	OG8584	Schraube 6kt M12x60	Hex screw M12x60		
620	1 701 2809	OG5118	Sicherungsblech	Locking plate	PBON06Q	
620	1 701 2807	OG5119	Sicherungsblech	Locking plate	PBON10/15Q	
621	1 701 2808	OG5116	Nutmutter M25x1.5	Slotted nut M25x1.5	PBON06Q	
621	1 701 2806	OG5117	Nutmutter M30x1.5	Slotted nut M30x1.5	PBON10/15Q	
622	76.3046.01	OG2112	Getriebemotor P=0.25kW	Gear motor P=0.25kW	PBON06Q	
622	76.3047.01	OG2113	Getriebemotor P=0.37kW	Gear motor P=0.37kW	PBON10/15Q	
	76.9123	OG5919	Kabel: Thermorelais - Motor	Cable: Thermal relay - Motor		
623	87.7130.01	OG8345	Giterrührer Ohne Abstreifer	Stirrer without scrapers	PBON06	8291...
623	87.7130.02	OG8346	Giterrührer Ohne Abstreifer	Stirrer without scrapers	PBON10	8291...
623	87.7130.05	OG8349	Giterrührer Ohne Abstreifer	Stirrer without scrapers	PBOX15	8291...
624	1 701 2789	OG5041	Kugelsperrbolzen	Lock pin		8291...
625	76.0246	OG5766	Lagerbüchse	Bearing bush		8291...
626	87.0249.03	OG8331	Abstreifer Horizontal	Horizontal scraper	PBOX15	8291...
626	87.0249.11	OG8334	Abstreifer Horizontal	Horizontal scraper	PBON06	8291...
626	87.0249.12	OG8335	Abstreifer Horizontal	Horizontal scraper	PBON10	8291...
627	87.0250.03	OG8338	Abstreifer Vertical	Vertical scraper	PBOX15	8291...
627	87.0250.11	OG8343	Abstreifer Vertical	Vertical scraper	PBON06	8291...
627	87.0250.12	OG8344	Abstreifer Vertical	Vertical scraper	PBON10	8291...

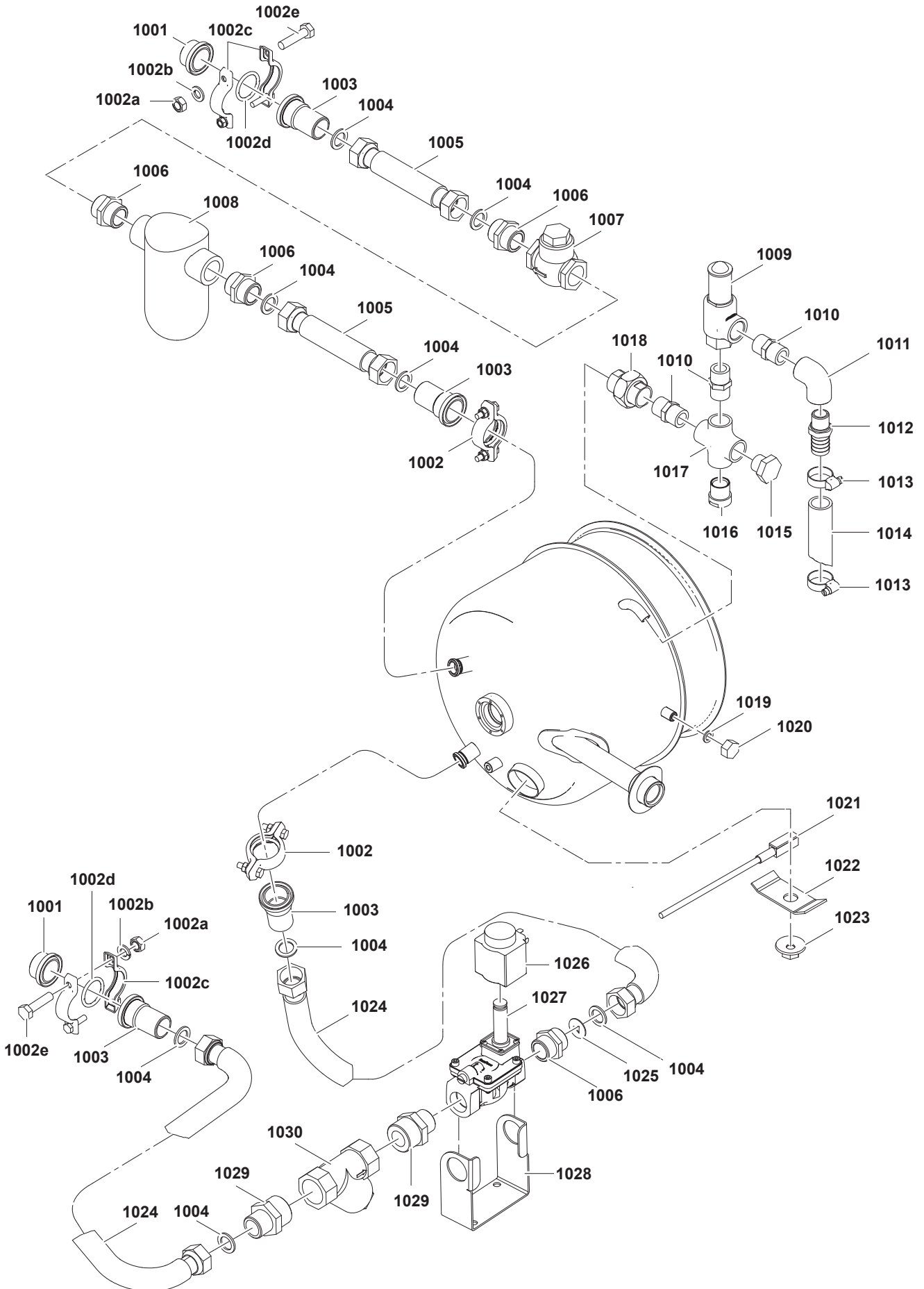


7	Alias	Code	Bezeichnung	Description	Ref.	Valid from Serial N°
701	86.2791.01	*	Steuerfront	Control panel	all H700	
701	86.2791.02	OG6663	Steuerfront	Control panel	all H800	
701	86.2791.03	*	Steuerfront mit Not-Aus	Control panel with emergency stop	all H700	
701	86.2791.04	*	Steuerfront mit Not-Aus	Control panel with emergency stop	all H800	
701	86.2791.05	*	Steuerfront mit Hauptschalter	Control panel with main switch	all H700	
701	86.2791.06	*	Steuerfront mit Hauptschalter	Control panel with main switch	all H800	
701	86.2791.07	*	Steuerfront mit Not-Aus & Hauptschalter	Control panel with emergency stop & main switch	all H700	
701	86.2791.08	*	Steuerfront mit Not-Aus & Hauptschalter	Control panel with emergency stop & main switch	all H800	
702	871008	OG6081	Folie Steuerfront	Foil control panel		
703	879004	OC6546	Abdeckkappe zu USB	USB cover		
704	769075.03	OKX129	Notausschalter	Emergency stop button		
705	769164.02	OK4979	Hauptschalter 63A	Main switch 63A	PBEN08/20/30	
705	769149.06	OG7114	Kabel 5x6mm2 L=1400	Cable 5x6mm2 L=1400	PBEN08	
705	769149.08	OT6273	Kabel 5x10mm2 L=1400	Cable 5x10mm2 L=1400	PBEN20/30	
705	769164.03	OK4980	Hauptschalter 80A	Main switch 80A	PBEN40	
705	769149.10		Kabel 5x16mm2 L=1400	Cable 5x16mm2 L=1400	PBEN40	
706	769108.02	OK5160	Kontaktgeber Notaus	Terminal emergency stop		
707	879005	OG7687	Dichtung zu USB	USB sealing		
708	879003	OC6547	Halter zu USB	USB support		
709	879023	OC6874	Blech zu USB	USB fixation sheet		
710	712 044 120.04	OG4918	Kepsmutter M4	Keps nut M4		
711	879030	OC6566	Kabel COPUI40-USB	Cable COPUI40-USB		
712	879043	OG6990	Steuerung komplett	User Interface assembled		until 9171...
712	879242	OG8585	Steuerung komplett COPUI70	User Interface COPUI70 assembled		9181...

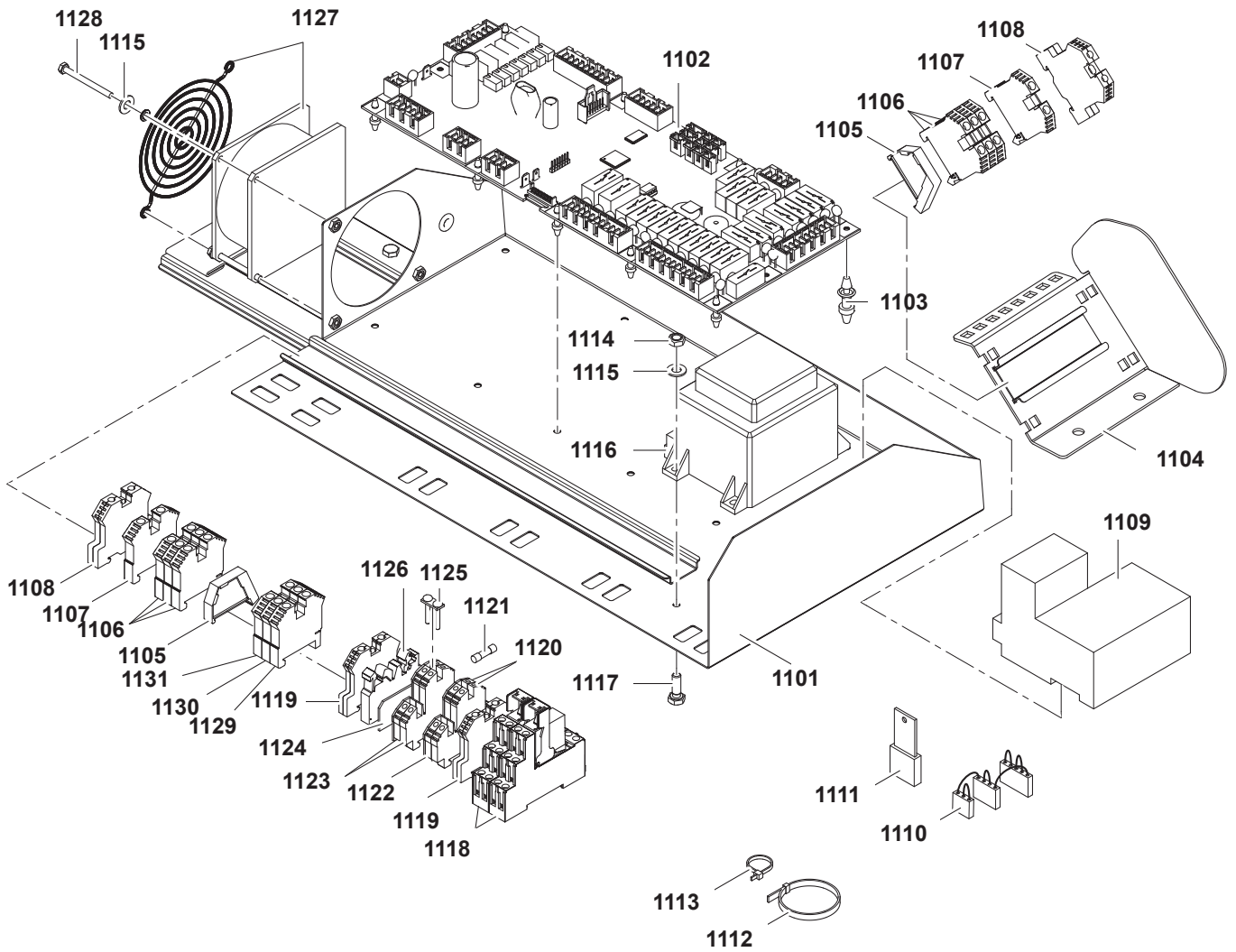




9	Alias	Code	Bezeichnung	Description	Ref.	Valid from Serial N°
901	87.7138	0G8267	Wasserverteiler WFA 2.0	Water distributor WFA 2.0		
902	87.7139	0G8030	"2/2-Weg Magnetventil 1 3/4" A1/2 Schlaucht"	2/2-way solenoid valve 1 3/4" A1/2" hoses		
903	76.9668	0G3702	Durchflussmesser WFA	Flow meter WFA		
904	87.7188.04	0G8756	Panzerschlauch 1/1 0.6 m	Armored hose L600 G1/2"		
905	87.7188.06	*	Panzerschlauch 1/1 1.1m	Armored hose L1100 G1/2"		
906	87.7195	0G8719	Dichtung 24x17x2 AFM34	Flat sealing 24x17x2 AFM34		
907	86.7144	0G7668	Dampfschlauch ø13/ø23	Steam hose ø13/ø23		
908	12.9827	0G2823	Bride Schlauch	Hose clamp		
909	87.5168	0G6646	Adapter zu WFA	Adapter for WFA G1/2"		
910	87.2429	0G8524	Dichtung D18x11x2 AFM34	Flat sealing D18x11x2 AFM34		
911	87.7193	0G9121	"Anschlussverschraubung 3/4"-1/2"	Connection screw fitting 3/4"-1/2"		
912	1 701 2827	0G6842	Hutfilter 1/2-50/20 H12	Filter insert 1/2-50/50 H12		
913	87.9106	0G6658	Kabel COP20CAN-WFA Flowmeter	Cable connection COP20CAN-WFA Flowmeter		
914	87.9020.01	*	Kabel COP20-WW Ventil 3300MM	Cable connection COP20-WW Ventil 3300MM		
915	87.9019.01	*	Kabel COP20-KW Ventil 3300MM	Cable connection COP20-KW Ventil 3300MM		
916	1 116 1233	0G8474	"Muffennippel reduziert 3/4"-1/2"	Socketed pipe nipple reduced 3/4"-1/2"		
917	87.7227	0G9122	Schwenkarm Klarco 350	Swiveling arm		
918	87.2430	0G8648	Gewindekappe 1/2	Threaded cap 1/2"		
919	1 116 1222	0G8889	"Muffennippel reduziert 1/2-3/8"	Socketed pipe nipple reduced 1/2"-3/8"		
920	86.1086	0G6844	Kugelhan mini A3/8 - 13/8	Ball valve mini 3/8"		
921	87.7151	0G8523	"Kegelrückschlagventil ø8/3/8"	Check valve 3/8"		
922	86.7123	0G5969	Spray Gun Schlauch 1/4 SG	Spray Gun Hose		
--	87.7089	OTTX97	Dichtband für rohr-gewinde	Sealing tape for pipe threads		



10	Alias	Code	Bezeichnung	Description	Ref.	Valid from Serial N°
1001	712 344889	0T2196	Sandvik Kupplung	Sandvik coupling		
1002	76.2030	0G2723	Anschluss Sandvik Kupplung	Connection Sandvik coupling		
1002a	1 701 3016	0G5739	Mutter M6	Nut M6		
1002b	1 701 5007	0G6058	Federring M6	Spring ring M6		
1002c	712 844253	0G3856	Klammer zu Kupplung	Clamp to coupling		
1002d	76.3248	0G4771	O-Ring	O-Ring		
1002e	1 701 2516	0T1795	Schraube 6kt M6x25	Hex screw M6x25		
1003	76.4558.02	0G3269	Anschluss	Connection		
1004	1 101 2086	0G3156	Kupferdichtung	Copper gasket		
1005	1 701 1568	0G5998	Wellrohr 130-200mm 2 x 3/4"	Corrugated tube 130-200mm 2 x 3/4"		
1006	1 102 2457	0G5419	Doppelnippel R3/4" R-207-Z	Double nipple R3/4" R-207-Z		
1007	76.3431	0G4583	Rückschlagventil 3/4"	Check valve 3/4"		
1008	76.3427	0G5134	Kondensatableiter	Steam trap		
1009	86.2424	0G5631	Sicherheitsventil	Safety valve		
1010	1 116 1166	0G5518	Doppelnippel 1/2" 6kt	Hex double nipple 1/2"		
1011	1 116 1140	0G5185	Winkel 90° 1/2"	Elbow 90° 1/2"		
1012	1 116 1212	0G7249	Schlauchnippel 1/2"-20	Hose nipple 1/2"-20		
1013	1 103 1170	0K4550	Schlauchklemm Ø25-35	Hose clamp Ø25-35		
1014	1 115 1417	0K5830	Silikonschlauch	Silicon hose		
1015	1 117 1239	0KV476	Stopfen 1/2"	Plug 1/2"		
1016	12.7296	0H9729	Belüfter 1/2"	Aerator 1/2"		
1017	1 116 1167	0G5574	Kreuzstück R-302 1/2"	Cross fitting R-302 1/2"		
1018	1 116 1230		Kupplung 1/2"	Coupling 1/2"		
1019	712 044481.21	0G3610	Flachdichtung Ø11xØ18x2	Flat gasket Ø11xØ18x2		
1020	712 344853.09	0KX151	Gewindekappe 1/2"	Threaded cap 1/2"		
1021	87.9147.01	0G6280	Kochgutfühler gelb	TC Sensor Food yellow		
1022	76.4191	0G3087	Halter Kochgutfühler	Sensor support		
1023	712 044 120.05	0G3998	Kepsmutter M5	Keps nut M5		
1024	1 701 1571	0G6001	Wellrohr 500-1000mm 2 x 3/4"	Corrugated tube 500-1000mm 2 x 3/4"		
1025	76.4552.02	0KL497	Dampfblende	Steam frame	PBON06	
1025	76.4552.04	0G3154	Dampfblende	Steam frame	PBON10	
105	76.4552.05	0KL498	Dampfblende	Steam frame	PBON15	
1026	76.3511	0G5598	Spule	Coil		
1027	76.3510	0G5597	2/2 Wegeventil	2/2-way valve		
1028	87.0038		Vorlauf Support	Steam entry support		
1029	1 102 2467	0G9143	Reduziernippel 1" -3/4"	Reduction nipple 1"-3/4"		
1030	1 201 2164	0G5168	Schmutzfänger 1"	Dirt trap 1"		



11	Alias	Code	Bezeichnung	Description	Ref.	Valid from Serial N°
1101	879026	*	Steuerträger PBON	Support frame PBON		
1102	879015	OG5908	Motherboard COP20	Motherboard COP20		until 9051...
1102	879241	OG8953	Motherboard COP70	Motherboard COP70		9061...
1103	75.5000.04	OT2600	Distanzhalter	Spacer		
1104	87.0014	*	Klemmenträger	Terminal support		
1105	75.2013	OKX290	Arretierstück	Fixation		
1106	75.2010.30	OKT732	Reihenklemme 10mm² grau	Terminal block 10mm² grey		
1107	75.2010.31	OG3495	Nullleiterklemme 10mm² blau	Neutral wire terminal 10mm² blue		
1108	75.2011.02	OKT729	Schutzleiterklemme 16mm²	Ground conductor terminal 16mm²		
1109	76.9165.01	OG2114	Wendeschütz	Reversing contactor	PBON-Q	
1110	87.9190	OG6638	Jumper Kerntemperatur	Jumper Core Temperature		
1111	87.9191	OG7123	Jumper	Jumper		
1112	1 115 1391	OG8912	Kabelbinder weiss	Cable tie white		
1113	1 115 1235	OG8913	Kabelbinder schwarz	Cable tie black		
1114	1 701 3004	OK4606	Mutter M4	Nut M4		
1115	1 701 3502	OG3595	U-Scheibe Ø4.3xØ9x0.8	Washer Ø4.3xØ9x0.8		
1116	87.9036	OG5910	Transformator PMA	Transformer PMA		
1117	1 701 2629	OG5854	Schraube 6kt M4x12	Hex screw M4x12		
1118	76.9482	OG3933	Relais 12V	Relay 12V	PBON-Q	
1119	75.2011.01	OKT730	Schutzleiterklemme 4mm²	Ground conductor terminal 4mm²		
1120	75.2010.11	OKT733	Nullleiterklemme 4mm² blau	Neutral wire terminal 4mm² blue		
1121	712 344362.01	OG5814	Sicherung 5x20 1A	Fuse 5x20 1A		
1122	75.2010.12	OT2598	Abschlusswand	Cover		
1123	75.2010.10	OKT734	Reihenklemme 4mm² grau	Terminal block 4mm² grey		
1124	75.2012.02	OT2599	Abschlusswand	Cover		
1125	75.2010.14	OG5735	Querverbinder	Cross connection		
1126	75.2012.01	OK5155	Sicherungsklemme	Fuse holder terminal		
1127	86.9055	OG5805	Ventilator 208-240V	Ventilator 208-240V		
		*	Fingerschutzgitter	Finger guard		
1128	1 701 2636		Schraube 6kt M4x45	Hex screw M4x45		
	76.9117.05	OG5927	T-Litze Haupterdraht	T-Litz wire earthing		
	87.9080	OG5930	Kabel: COP20 - Dampfventil	Cable: COP20 - Steam valve		
	87.9037	OG5923	Kabel: N - Trafo - P	Cable: N - Transformer - P	PBON-S	
	87.9095		Kabel: COP20 - Ventilator	Cable: COP20 - Ventilator		
	87.9077	OG5924	Kabel: N - Trafo - P (Not-Aus)	Cable: N - Transformer - P (Emergency stop)	PBON-Q	
	87.9082	OG6862	Kabel: Klemmen - Wendeschütz	Cable: Terminals - Reversing contactor	PBON-Q	
	87.9064	OG5953	Kabel: Rührwerk	Cable: Stirrer	PBON-Q	
1129	75.2010.20	OG7080	Reihenklemme grau	Terminal block grey		9061...
1130	75.2010.21	OG3489	Nullleiterklemme blau	Neutral wire terminal blue		9061...
1131	75.2011.01	OKT730	Schutzleiterklemme G/G	Ground conductor terminal G/G		9061...
	1 115 1783	OG6228	Filter FN2060	Filter FN2060		9061...

