

**DE  
EN**
**PBEN-E  
PBEN-E**
**STANDKOCHKESSEL, ELEKTRISCH, ECKIG  
BOILING PAN, ELECTRIC, RECTANGLE**

Page	Baugruppe	Assembly group	Models
2	Verschalung	Casing	PBEN-E
4	Schalterfront Steuerung	Switch panel control system	PBEN-E
6	Entlüftung	Dearation	PBEN-E
8	Heizung	Heating	PBEN-E
10	Auslaufhahn	Drain tap	PBEN-E
11	Deckel	Lid	PBEN-E
12	Mischbatterie	Mixing tap	PBEN-E
14	Steuerung	Control	PBEN-E
16	Füße	Feet	PBEN-E

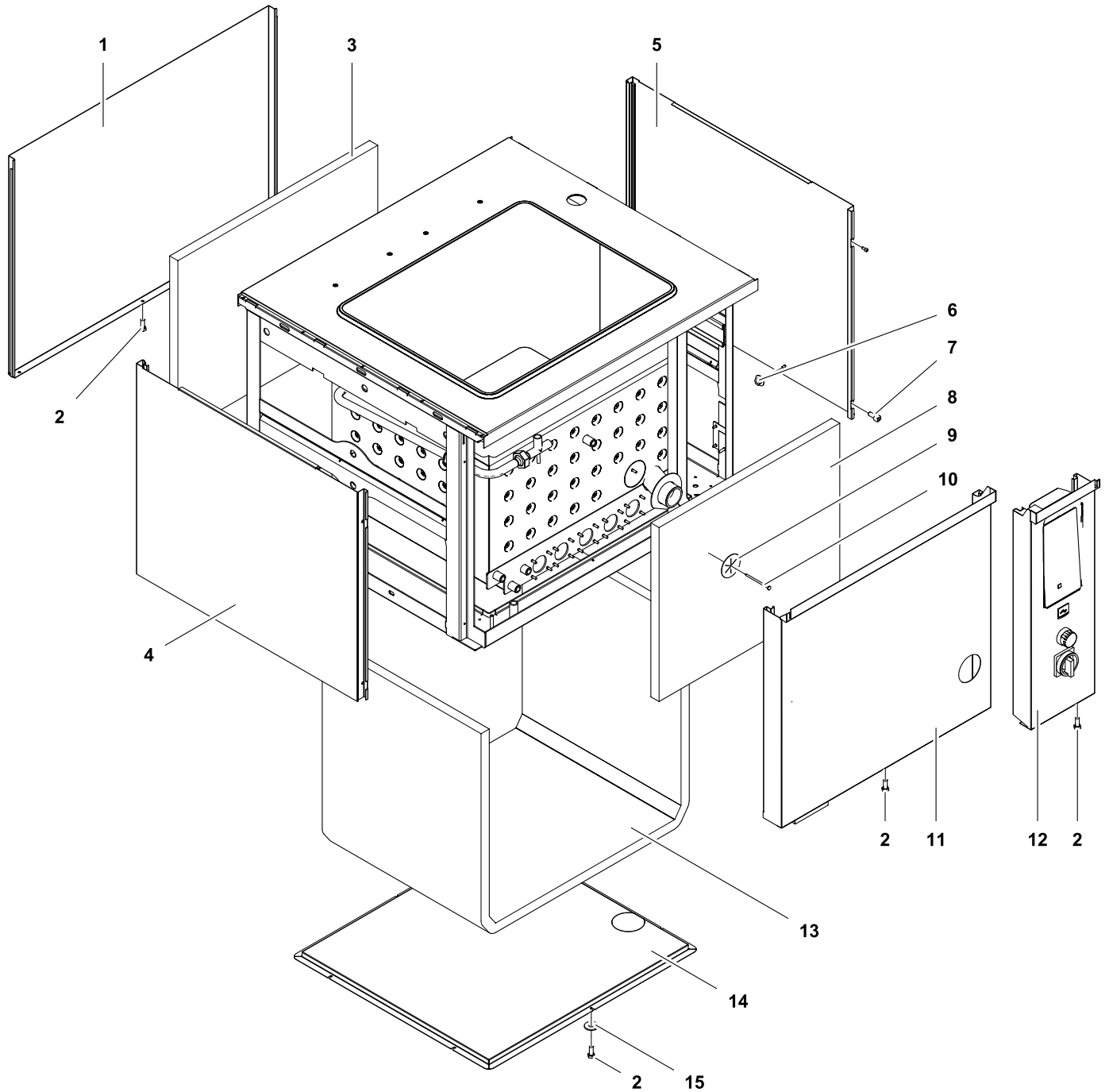
**Last Updates**

 02/2016  
 12/2016  
 11/2017  
 11/2017  
 10/2018

**Page**

 all  
 6/7  
 15  
 5  
 10

**Pos.**
  
 6, 7, 8  
 5  
 drawing

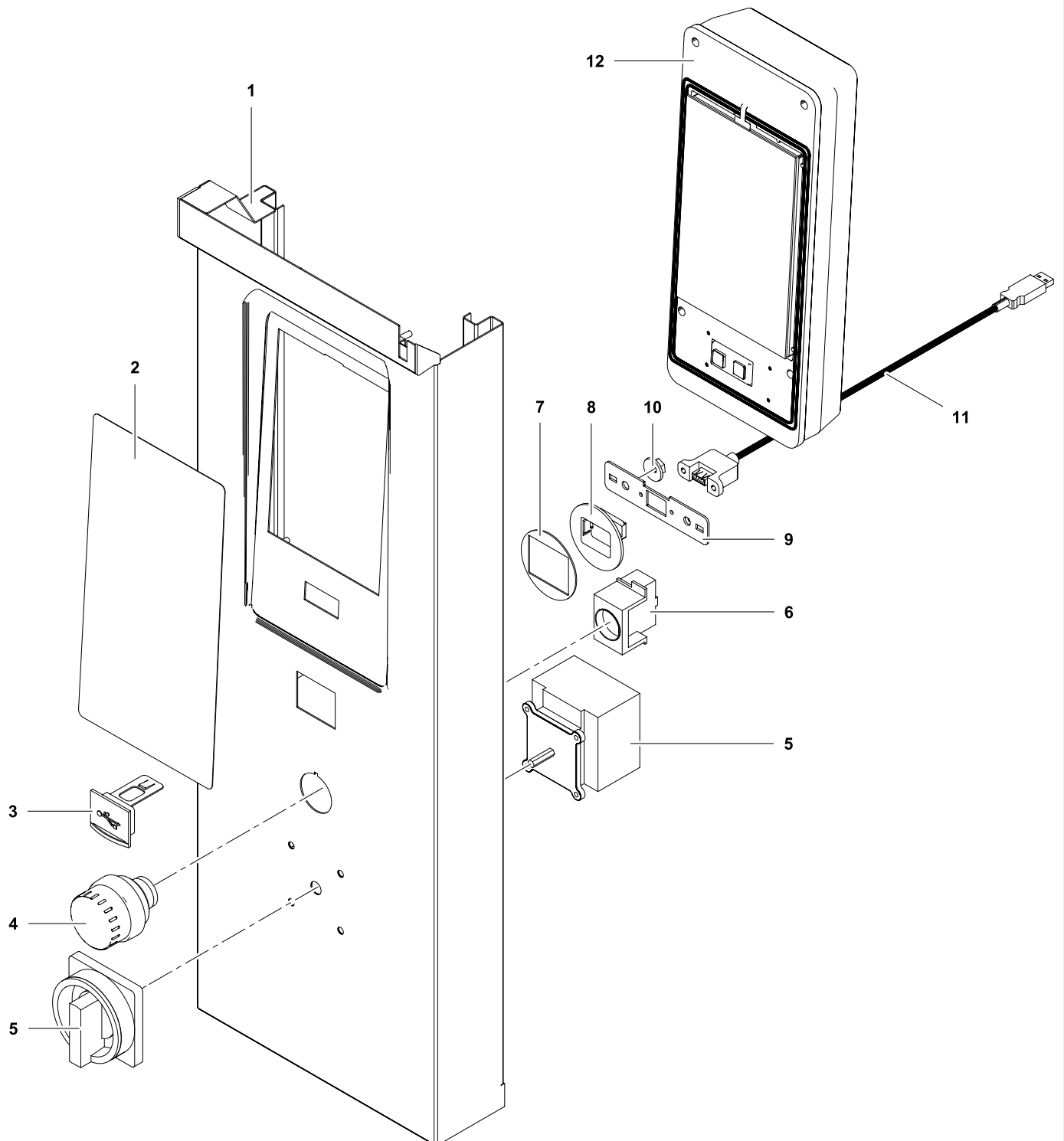


1	Alias	Code	Bezeichnung	Description	Ref.	Valid from Serial N°
1	86.2788.01	*	Rückpanel PBEN08 B700 / H700	Rearpanel PBEN08 W700 / H700		
	86.2788.04	*	Rückpanel PBEN20 B1000 / H700	Rearpanel PBEN20 W1000 / H700		
	86.2788.05	*	Rückpanel PBEN30 B1400 / H700	Rearpanel PBEN30 W1400 / H700		
	86.2788.06	*	Rückpanel PBEN40 B1700 / H700	Rearpanel PBEN40 W1700 / H700		
	86.2788.07	*	Rückpanel PBEN08 B700 / H800	Rearpanel PBEN08 W700 / H800		
	86.2788.10	*	Rückpanel PBEN20 B1000 / H700	Rearpanel PBEN20 W1000 / H700		
	86.2788.11	*	Rückpanel PBEN30 B1400 / H700	Rearpanel PBEN30 W1400 / H700		
	86.2788.12	*	Rückpanel PBEN40 B1700 / H700	Rearpanel PBEN40 W1700 / H700		
2	1 701 2509	OK4598	Schraube 6kt M5 x 12	Hexscrew M5 x 12	all types	
3	87.2116.01	*	Isolation Rücken 80L	Insulation Back 80L	PBEN08	
	87.2116.02	*	Isolation Rücken 200L	Insulation Back 200L	PBEN20	
	87.2116.03	*	Isolation Rücken 300L	Insulation Back 300L	PBEN30	
	87.2116.04	*	Isolation Rücken 400L	Insulation Back 400L	PBEN40	
4	86.2787.06	*	Seitenwand links H700 / T800	Sidepanel left H700 / D800		
	86.2787.04	*	Seitenwand links H700 / T850	Sidepanel left H700 / D850		
	86.2787.02	*	Seitenwand links H700 / T900	Sidepanel left H700 / D900		
	86.2787.12	*	Seitenwand links H800 / T800	Sidepanel left H800 / D800		
	86.2787.08	*	Seitenwand links H800 / T900	Sidepanel left H800 / D900		
5	86.2787.05	*	Seitenwand rechts H700 / T800	Sidepanel right H700 / D800		
	86.2787.03	*	Seitenwand rechts H700 / T850	Sidepanel right H700 / D850		
	86.2787.01	*	Seitenwand rechts H700 / T900	Sidepanel right H700 / D900		
	86.2787.11	*	Seitenwand rechts H800 / T800	Sidepanel right H800 / D800		
	86.2787.07	*	Seitenwand rechts H800 / T900	Sidepanel right H800 / D900		
6	712 044 120.05	OG3998	Kepsmutter M5	Keps nut M5	all types	
7	1 101 8123	OG3849	Schraube I-6kt M5x12	Socket screw M5x12	all types	
8	87.2115.01	*	Isolation Front 80L	Insulation Front 80L	PBEN08	
	87.2115.02	*	Isolation Front 200L	Insulation 200L	PBEN20	
	87.2115.03	*	Isolation Front 300L	Insulation 300L	PBEN30	
	87.2115.04	*	Isolation Front 400L	Insulation 400L	PBEN40	
9	1 201 1961	OG4127	Isolationsclip	Insulation clip	all types	
10	1 201 1959	OG6987	Isolationsnagel	Insulation nail	all types	
11	86.2749.04	*	Frontpanel PBEN08 H700	Frontpanel PBEN08 H700	PBEN08	
	86.2749.05	*	Frontpanel PBEN20 H700	Frontpanel PBEN20 H700	PBEN20	
	86.2749.06	*	Frontpanel PBEN30 H700	Frontpanel PBEN30 H700	PBEN30	
	86.2749.07	*	Frontpanel PBEN40 H700	Frontpanel PBEN40 H700	PBEN40	
	86.2749.17	*	Frontpanel PBEN08 H800	Frontpanel PBEN08 H800	PBEN08	
	86.2749.18	*	Frontpanel PBEN20 H800	Frontpanel PBEN20 H800	PBEN20	
	86.2749.19	*	Frontpanel PBEN30 H800	Frontpanel PBEN30 H800	PBEN30	
	86.2749.20	*	Frontpanel PBEN40 H800	Frontpanel PBEN40 H800	PBEN40	
12	87.1028.01	*	Steuerfront H700	Controll panel H700	all H700	
	87.1028.02	*	Steuerfront H800	Controll panel H800	all H800	
13	87.2114.01	*	Isolation Boden 80L	Insulation bottom 80L	PBEN08	
	87.2114.02	*	Isolation Boden 200L	Insulation bottom 200L	PBEN20	
	87.2114.03	*	Isolation Boden 300 L	Insulation bottom 300L	PBEN30	
	87.2114.04	*	Isolation Boden 400L	Insulation bottom 400L	PBEN40	
14	86.2759.13	*	Bodenblech PBEN08 T800	Bottom plate PBEN08 D800		
	86.2759.16	*	Bodenblech PBEN20 T800	Bottom plate PBEN20 D800		
	86.2759.17	*	Bodenblech PBEN30 T800	Bottom plate PBEN30 D800		
	86.2759.18	*	Bodenblech PBEN40 T800	Bottom plate PBEN40 D800		
	86.2759.07	*	Bodenblech PBEN08 T850	Bottom plate PBEN08 D850		
	86.2759.10	*	Bodenblech PBEN20 T850	Bottom plate PBEN20 D850		
	86.2759.11	*	Bodenblech PBEN30 T850	Bottom plate PBEN30 D850		
	86.2759.12	*	Bodenblech PBEN40 T850	Bottom plate PBEN40 D850		
	86.2759.01	*	Bodenblech PBEN08 T900	Bottom plate PBEN08 D900		
	86.2759.04	*	Bodenblech PBEN20 T900	Bottom plate PBEN20 D900		
	86.2759.05	*	Bodenblech PBEN30 T900	Bottom plate PBEN30 D900		
	86.2759.06	*	Bodenblech PBEN40 T900	Bottom plate PBEN40 D900		
15	1 701 3545	OK1298	U-Scheibe 6.4x18x1.6	Washer 6.4x18x1.6	all types	

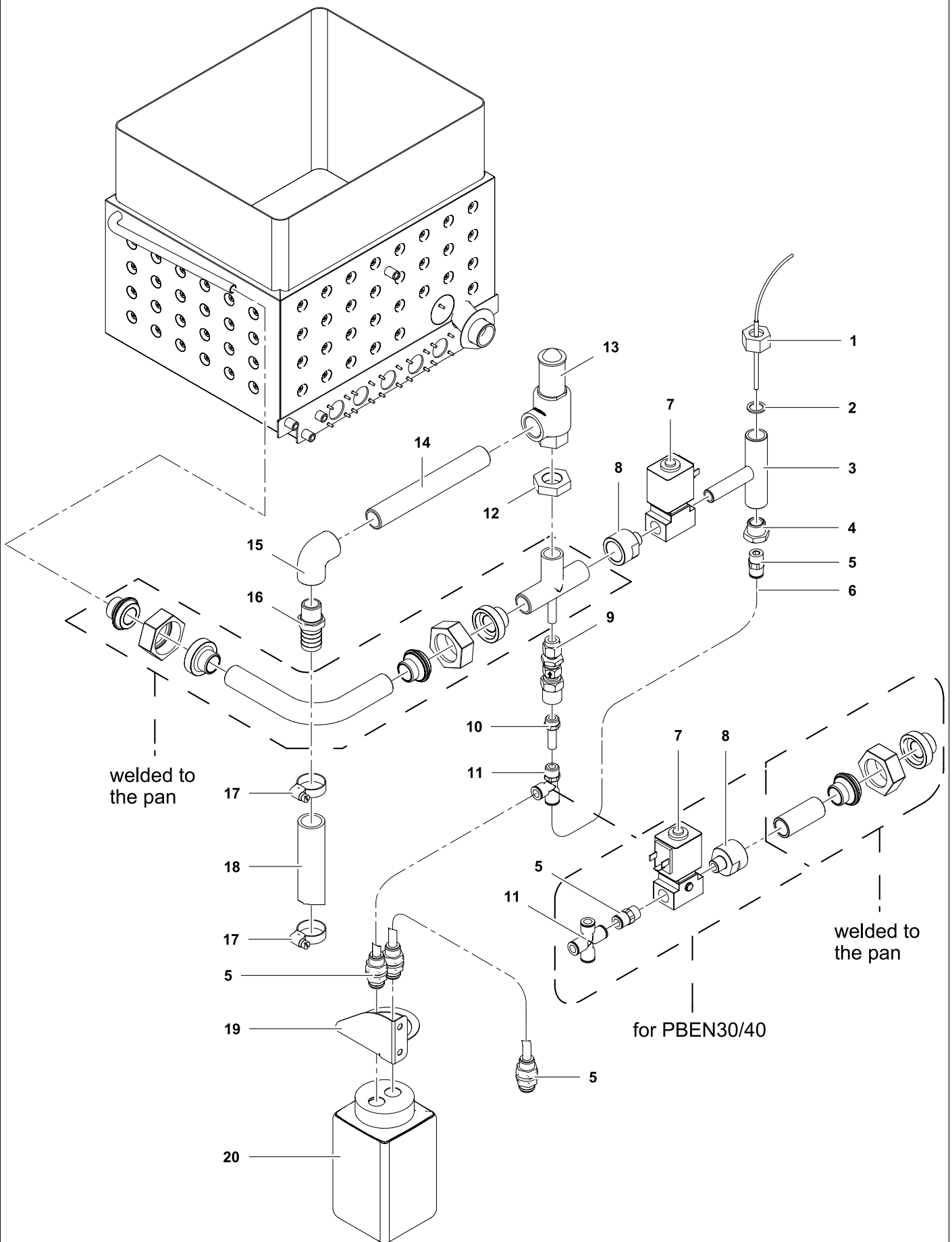
\* Components on demand  
\* Teile auf Anfrage

Doc. № 599A2BH00 / 87.8060.02

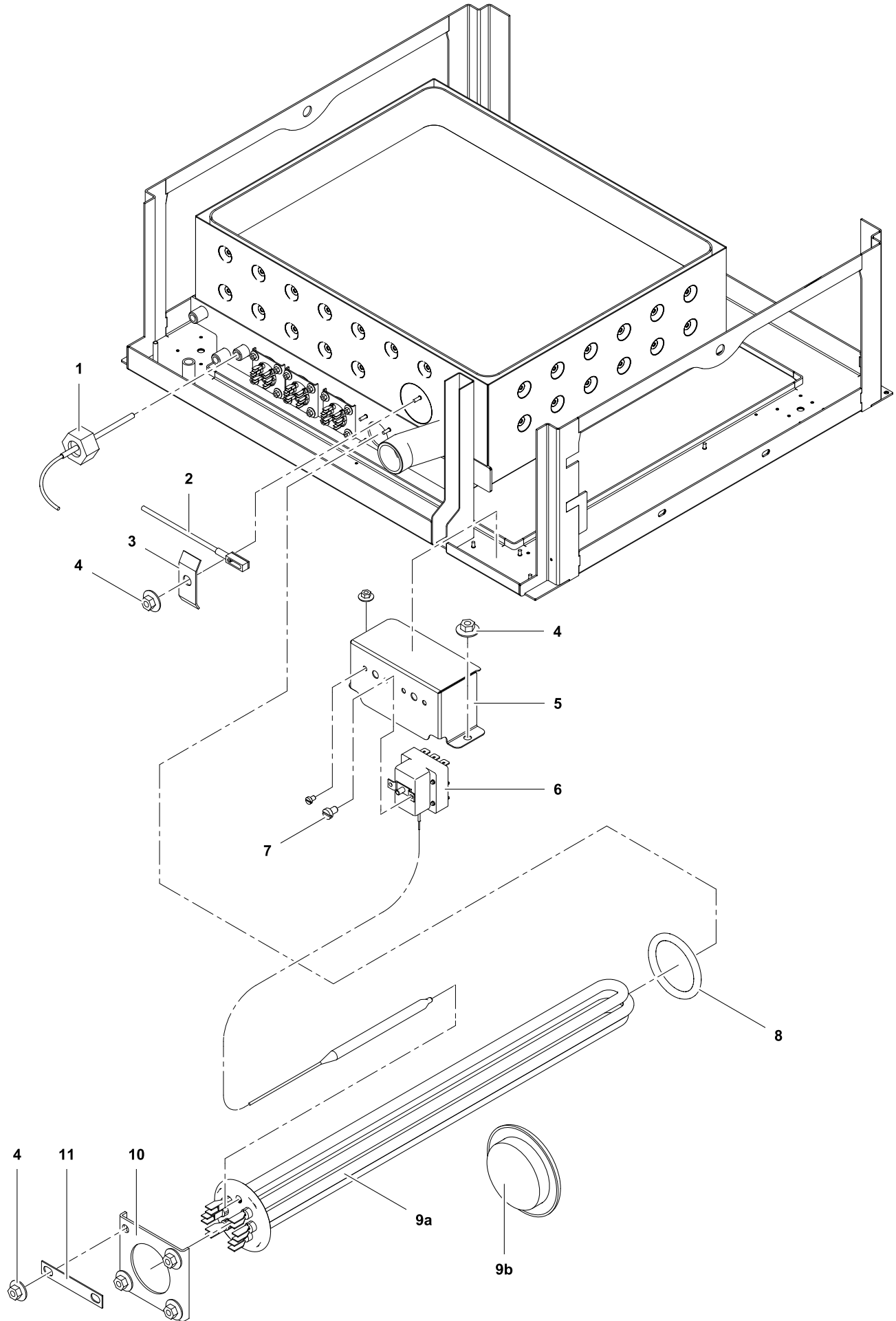
Page: 3





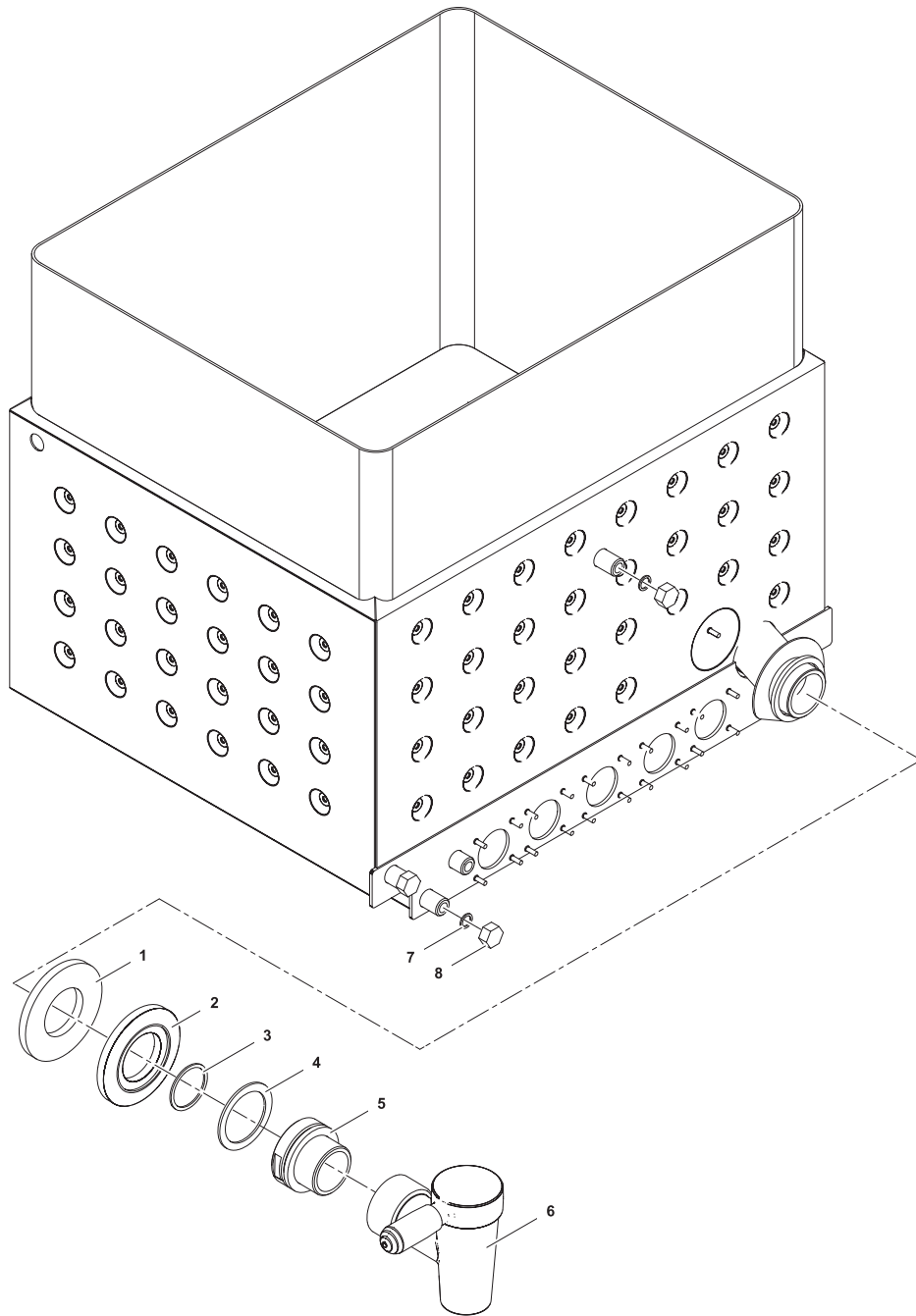


<b>3</b>	Alias	Code	Bezeichnung	Description	Ref.	Valid from Serial N°
1	879148.02	OG5913	TC Sensor grün	TC Sensor green		
2	87.7063	OG7394	Kupferdichtung 13x18x1.5	Copper gasket 13x18x1.5		
3	87.2157.02		T-Stück für Fühler	Tee swivel for sensor		
4	1 701 2829		Reduziernippel 3/8" - 1/4"	Reducing nipple 3/8" - 1/4"		
5	1 701 1557	OG5641	Einschraubanschluss	Screw in connection		
6	1 701 1560	OG5642	Kunststoffschlauch	Plastic tube		
7	76.3035	OK5341	Magnetventil	Solenoid valve		
	76.4935	OK4978	Stecker Magnetventil	Socket solenoid valve		
	879017	OG5921	Kabel: COP20 - Entlüftung	Cable: COP20 - Dearation		
	879098		Kabel: COP20 - Doppelentlüftung	Cable: COP20 - Double dearation	PBEN30/40	
8	1 116 1228	OG7312	Reduziernippel 1/2" - 1/4"	Reduction nipple 1/2" - 1/4"		
9	87.7073	OG6745	Rückschlagventil mit Filter	Check valve with filter		
11	1 701 1564	OG7000	Einschraubsteckstutzen	Screw in nozzle		
12	1 701 1558	OG5640	Einschraubanschluss	Screw in connection	PBEN08/20	
	1 701 1563	OG6460	Kreuz-Einschraubanschluss	Cross screw in connection	PBEN30/40	
13	1 102 2471		Sechskantmutter R-217 G1/2"	Hexnut R-217 G1/2"		
14	86.2424	OG5631	Sicherheitsventil	Safety valve		
15	87.3003		Doppelrippel 1/2" x 150	Double nipple 1/2" x 150		
16	1 116 1140	OG5185	Winkel 90° 1/2"	Elbow 90° 1/2"		
17	1 116 1212	OG7249	Schlauchrippel 1/2"-20	Hose nipple 1/2"-20		
18	1 103 1170	OK4550	Schlauchklemme D25-35	Hose clamp D25-35		
19	1 115 1417	OK5830	Silikonschlauch	Silicon tube		
20	86.2734	OG6500	Kondensatorhalter	Condenser support		
21	86.2226	OG5105	Weithaltflasche	Wide neck bottle		

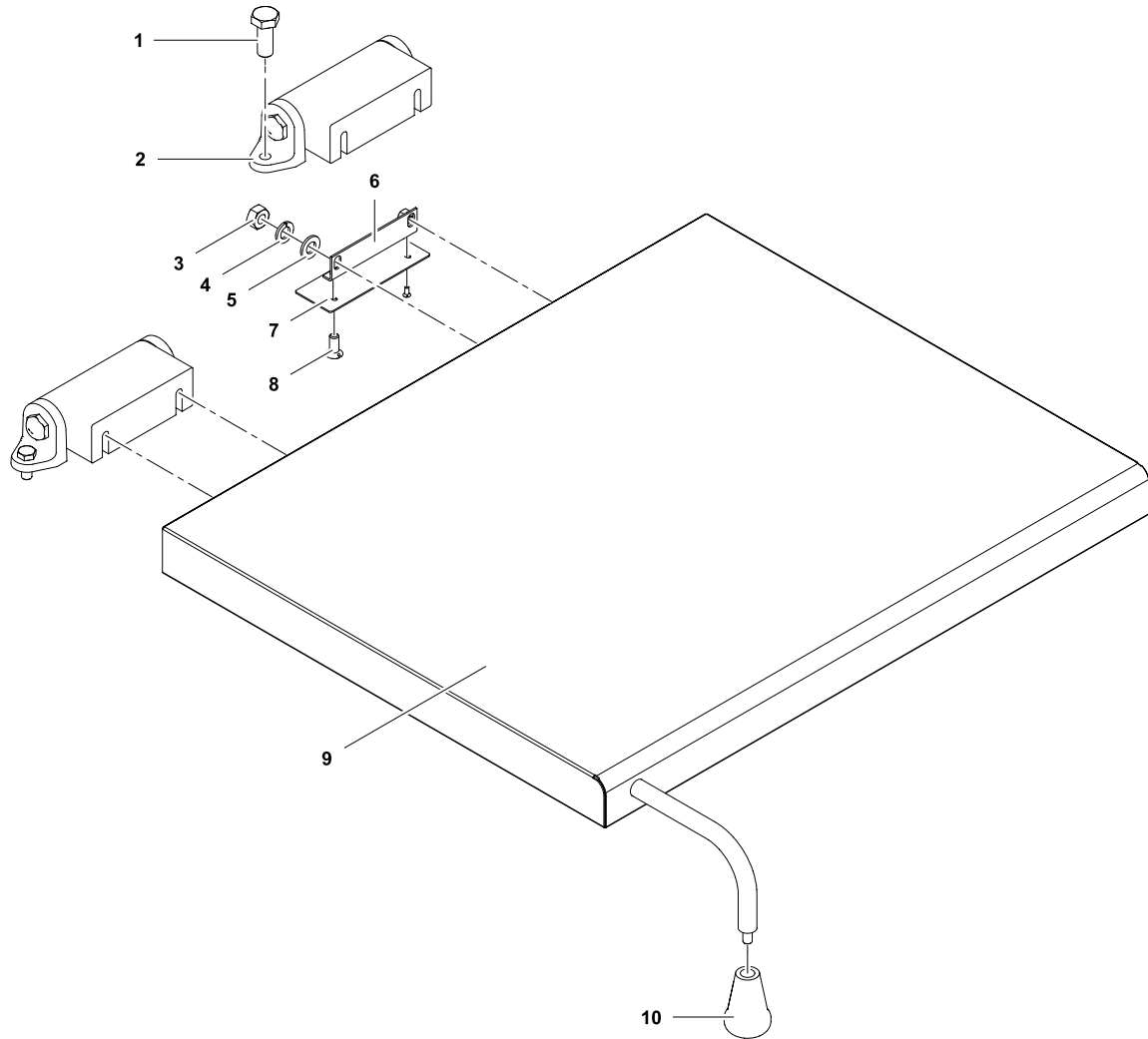




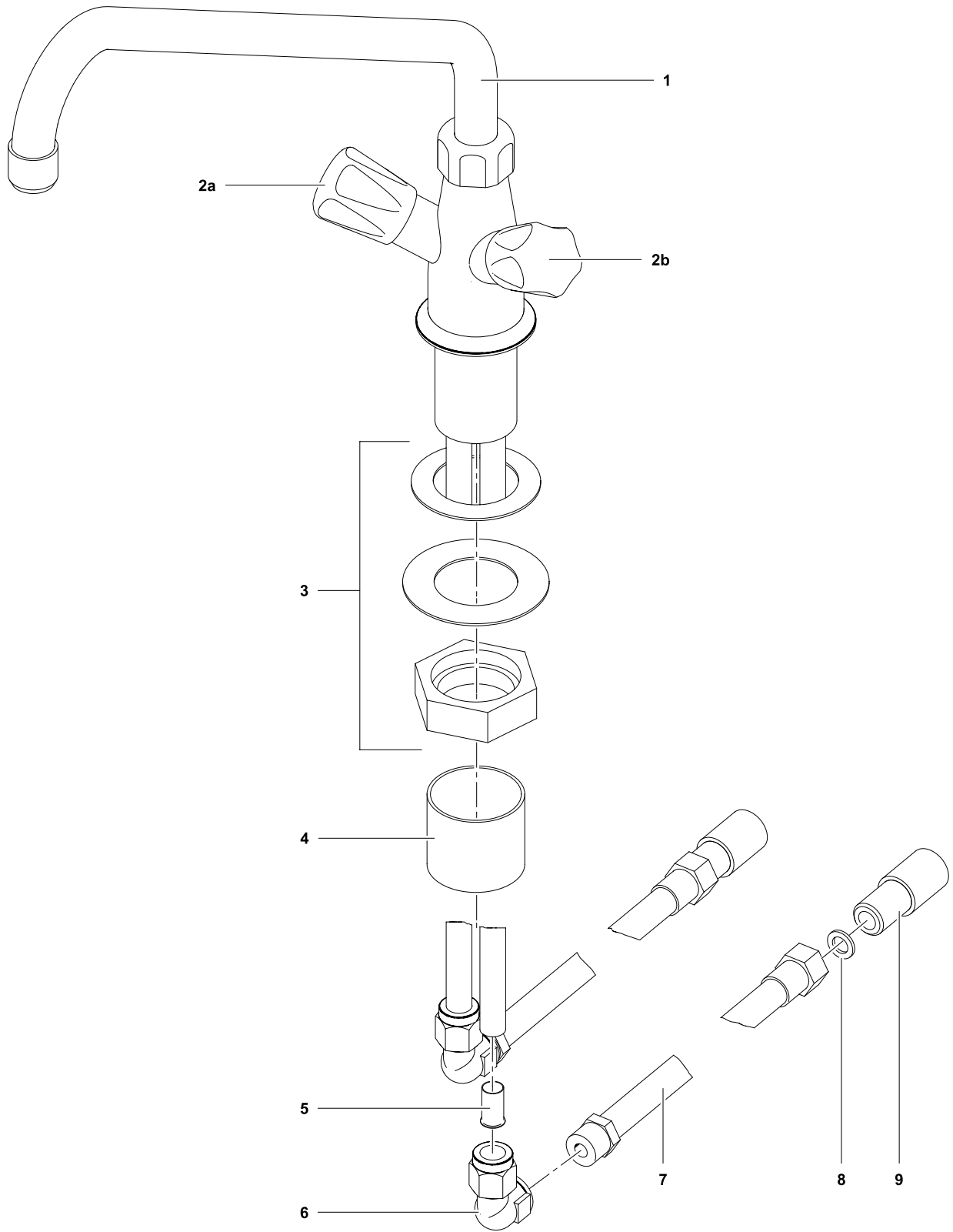




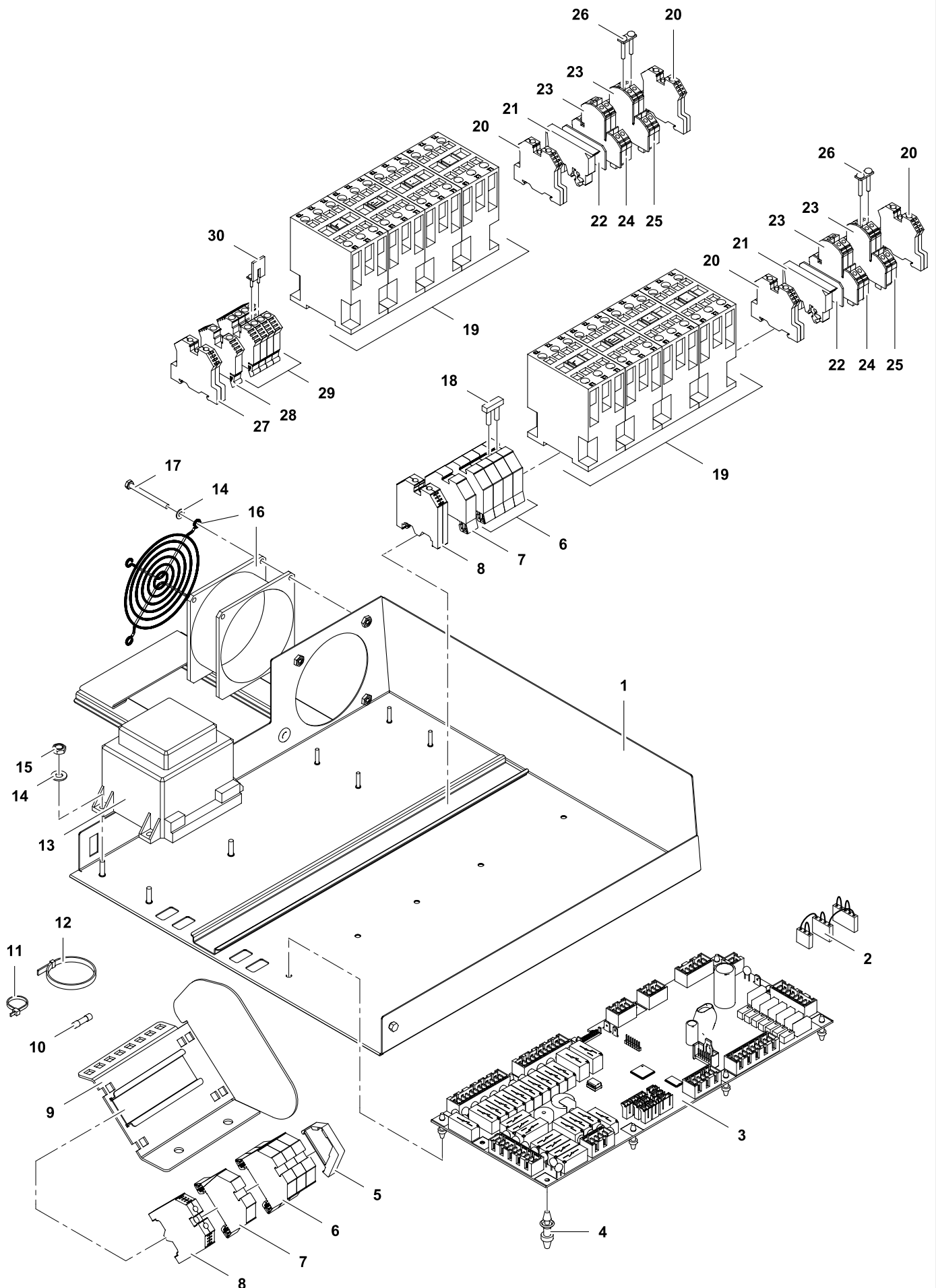
5	Alias	Code	Bezeichnung	Description	Ref.	Valid from Serial N°
1	1 117 1289	0G5644	Dichtung zu Rosette	Gasket to rosette		
2	1 117 1262	0A2149	Rosette	Rosette		
3	76.624	0G5164	Dichtung Ø49xØ57x2	Gasket Ø49xØ57x2		
4	87.0132	0G7796	Distanzscheibe	Spacer washer		
5	76.6241	0G5165	Übergangsstück	Adapter piece		
6	87.7055	0G6498	Entleerhahn 2"	Drain tap 2"		
7	712 044481.21	0G3610	Flachdichtung Ø18/11	Flat gasket Ø18/11		
8	712 344853.09	0KX151	Gewindekappe G1/2"	Threaded cap G1/2"		



6	Alias	Code	Bezeichnung	Description	Ref.	Valid from Serial N°
1	1 701 2541	OK4600	Schraube 6kt M10x25	Hex screw M10x25		
2	86.3194		Drehgelenk	Pivot joint	PBEN08/20	
	86.3195		Drehgelenk	Pivot joint	PBEN30/40	
3	1 701 3044	OK4612	Mutter M8	Nut M8		
4	1 701 5008	OKL250	Federring M8	Spring washer M8		
5	1 701 3513	OG6088	U-Scheibe Ø8.4x17x1.6	Washer Ø8.4x17x1.6		
6	70.0764	OKL251	Winkel zu Drehgelenk	Angle for pivot joint		
7	70.0765.01	OKL252	Abdeckblech	Cover plate		
8	1 701 1504	OKX205	Linsenschraube M4x8	Fillister head screw M4x8		
9	86.3136.01		Deckel 80L	Lid 80L	PBEN08	
	86.3136.02		Deckel 200L	Lid 200L	PBEN20	
	86.3136.03		Deckel 300L	Lid 300L	PBEN30	
	86.3136.04		Deckel 400L	Lid 400L	PBEN40	
10	86.3253	OG6631	Griff	Handle		







8	Alias	Code	Bezeichnung	Description	Ref.	Valid from Serial N°
1	879012	*	Steuerträger PxEN	Support frame PxEN		
2	87919	OG6638	Jumper Core Temp	Jumper Core Temp		
3	879015	OG5908	Motherboard COP20	Motherboard COP20		
4	75.5000.04	OT2600	Distanzhalter	Spacer		
5	75.2013	OKX290	Arretierstück	Fixation		
6	75.2010.40	OKI280	Reihenklemme 16mm <sup>2</sup> beige	Terminal block 16mm <sup>2</sup> beige		
	75.2010.50	OG8035	Reihenklemme 35mm <sup>2</sup> beige	Terminal block 35mm <sup>2</sup> beige	PBEN20-40	7411...
7	75.2010.41	OG3488	Nullleiterklemme 16mm <sup>2</sup> blau	Neutral wire terminal 16mm <sup>2</sup> blue		
	75.2010.51	OG8036	Nullleiterklemme 35mm <sup>2</sup> blau	Neutral wire terminal 35mm <sup>2</sup> blue	PBEN20-40	7411...
8	75.2011.03	OKX291	Schutzleiterklemme 16mm <sup>2</sup>	Ground conductor terminal 16mm <sup>2</sup>		
	75.2011.04	OG8037	Schutzleiterklemme 35mm <sup>2</sup>	Ground conductor terminal 35mm <sup>2</sup>	PBEN20-40	7411...
9	870014	*	Klemmenträger	Terminal support		
10	712 344362.01	OG5814	Sicherung 5x20 1A	Fuse 5x20 1A		
11	1 115 1235		Kabelbinder schwarz	Cable tie black		
12	1 115 1391		Kabelbinder weiss	Cable tie white		
13	879036	OG5910	Transformator PMA	Transformer PMA		
14	1 701 3502	OG3595	U-Scheibe Ø4.3x9x0.8	Washer Ø4.3x9x0.8		
15	1 701 3004	OK4606	Mutter M4	Nut M4		
16	86.9055	OG5805	Ventilator 208-240V	Ventilator 208-240V		
		*	Fingerschutzgitter	Finger guard		
17	1 701 2636		Schraube 6kt M4x45	Hex screw M4x45		
18	75.2010.44	OKT731	Querverbinder	Cross connection		
19	1 115 1758	OG4646	SCHUETZ K3-24X022	Contactore K3-24X022		
20	75.2011.01	OKT730	Schutzleiterklemme 4mm <sup>2</sup>	Ground conductor terminal 4mm <sup>2</sup>		
21	75.2012.01	OK5155	Sicherungsklemme	Fuse holder terminal		
22	75.2012.02	OT2599	Abschlusswand zu Sicherungsklemme	Cover to fuse holder terminal		
23	75.2010.12	OT2598	Abschlusswand	Cover		
24	75.2010.10	OKT734	Reihenblock 4mm <sup>2</sup> grau	Terminal block 4mm <sup>2</sup> grey		
25	75.2010.11	OKT733	Nullleiterklemme 4mm <sup>2</sup> blau	Neutral wire terminal 4mm <sup>2</sup> blue		
26	75.2010.14	OG5735	Querverbinder	Cross connection		
27	75.2011.02	OKT729	Schutzleiterklemme 10mm <sup>2</sup>	Ground conductor terminal 10mm <sup>2</sup>	PBEN08	
28	75.2010.31	OG3495	Nullleiterklemme 10mm <sup>2</sup> blau	Neutral wire terminal 10mm <sup>2</sup> blue	PBEN08	
29	75.2010.30	OKT732	Reihenblock 10mm <sup>2</sup> grau	Terminal block 10mm <sup>2</sup> grey	PBEN08	
30	75.2010.34	OG3339	Querverbinder	Cross connection	PBEN08	
	76.9117.05	OG5927	T-Litze Haupterdraht	T-Litz wire earthing	PBEN08	
	76.9117.03		T-Litze Haupterdraht	T-Litz wire earthing	PBEN20/30/40	
	879006	OG5922	Kabel: COP20 - Schützen STB	Cable: COP20 - Conductors STB		
	879037	OG5923	Kabel: N - Trafo - P	Cable: N - Transformator - P		
	879039	OG5925	Kabel: Klemmen - Schützen	Cable: Terminal - conductor		
	879095		Kabel: COP20 - Ventilator	Cable: COP20 - Ventilator		

