

DE
EN
PBEN-E
PBEN-E
STANDKOCHKESSEL, ELEKTRISCH, ECKIG
BOILING PAN, ELECTRIC, RECTANGLE

Page	Baugruppe	Assembly group	Models
2	Verschaltung	Casing	PBEN-E
4	Schalterfront Steuerung	Switch panel control system	PBEN-E
6	Entlüftung	Dearation	PBEN-E
8	Heizung	Heating	PBEN-E
10	Auslaufhahn	Drain tap	PBEN-E
11	Deckel	Lid	PBEN-E
12	Mischbatterie	Mixing tap	PBEN-E
14	Steuerung	Control	PBEN-E
16	Füße	Feet	PBEN-E

Last Updates

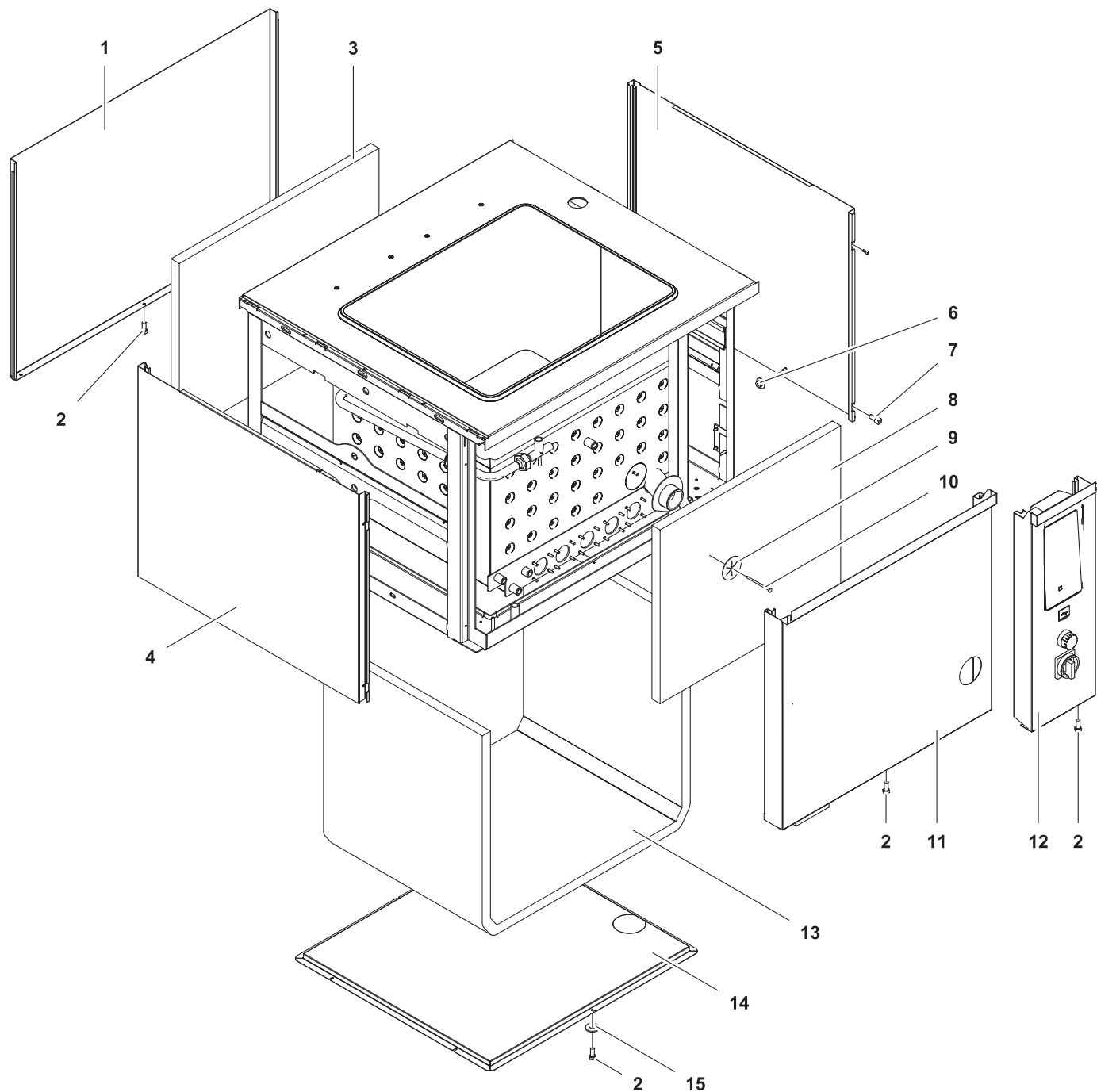
 02/2016
 12/2016
 11/2017
 11/2017
 10/2018
 01/2019
 06/2019

Page

 all
 6/7
 15
 5
 10
 15
 5

Pos.

 6, 7, 8
 5
 drawing
 3, 31, 32, 33
 12

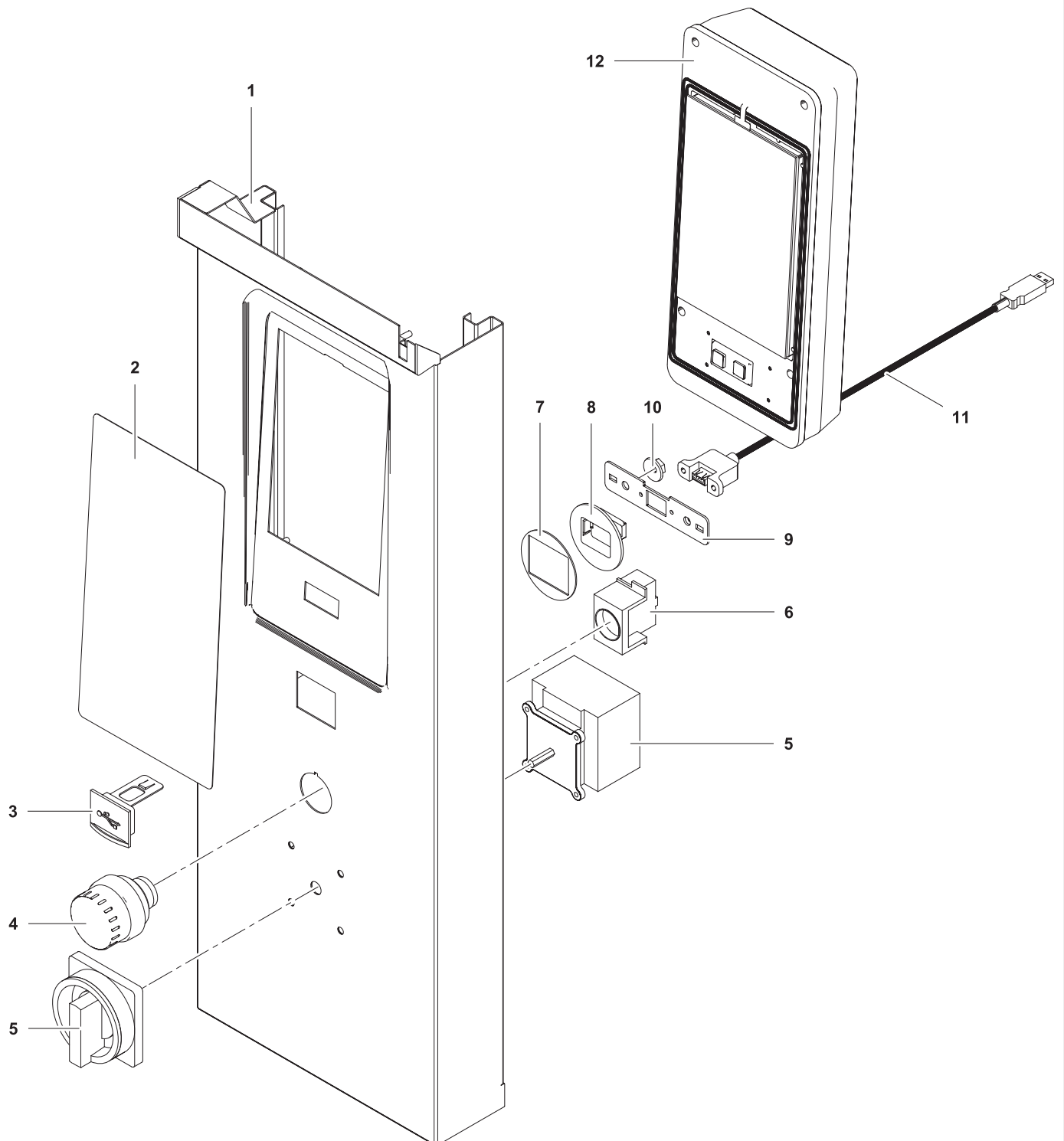


1	Alias	Code	Bezeichnung	Description	Ref.	Valid from Serial N°
1	86.2788.01	*	Rückpanel PBEN08 B700 / H700	Rearpanel PBEN08 W700 / H700		
	86.2788.04	*	Rückpanel PBEN20 B1000 / H700	Rearpanel PBEN20 W1000 / H700		
	86.2788.05	*	Rückpanel PBEN30 B1400 / H700	Rearpanel PBEN30 W1400 / H700		
	86.2788.06	*	Rückpanel PBEN40 B1700 / H700	Rearpanel PBEN40 W1700 / H700		
	86.2788.07	*	Rückpanel PBEN08 B700 / H800	Rearpanel PBEN08 W700 / H800		
	86.2788.10	*	Rückpanel PBEN20 B1000 / H700	Rearpanel PBEN20 W1000 / H700		
	86.2788.11	*	Rückpanel PBEN30 B1400 / H700	Rearpanel PBEN30 W1400 / H700		
	86.2788.12	*	Rückpanel PBEN40 B1700 / H700	Rearpanel PBEN40 W1700 / H700		
2	1 701 2509	OK4598	Schraube 6kt M5 x 12	Hexscrew M5 x 12	all types	
3	87.2116.01	*	Isolation Rücken 80L	Insulation Back 80L	PBEN08	
	87.2116.02	*	Isolation Rücken 200L	Insulation Back 200L	PBEN20	
	87.2116.03	*	Isolation Rücken 300L	Insulation Back 300L	PBEN30	
	87.2116.04	*	Isolation Rücken 400L	Insulation Back 400L	PBEN40	
4	86.2787.06	*	Seitenwand links H700 / T800	Sidepanel left H700 / D800		
	86.2787.04	*	Seitenwand links H700 / T850	Sidepanel left H700 / D850		
	86.2787.02	*	Seitenwand links H700 / T900	Sidepanel left H700 / D900		
	86.2787.12	*	Seitenwand links H800 / T800	Sidepanel left H800 / D800		
	86.2787.08	*	Seitenwand links H800 / T900	Sidepanel left H800 / D900		
5	86.2787.05	*	Seitenwand rechts H700 / T800	Sidepanel right H700 / D800		
	86.2787.03	*	Seitenwand rechts H700 / T850	Sidepanel right H700 / D850		
	86.2787.01	*	Seitenwand rechts H700 / T900	Sidepanel right H700 / D900		
	86.2787.11	*	Seitenwand rechts H800 / T800	Sidepanel right H800 / D800		
	86.2787.07	*	Seitenwand rechts H800 / T900	Sidepanel right H800 / D900		
6	712 044 120.05	OG3998	Kepsmutter M5	Keps nut M5	all types	
7	1 101 8123	OG3849	Schraube I-6kt M5x12	Socket screw M5x12	all types	
8	87.2115.01	*	Isolation Front 80L	Insulation Front 80L	PBEN08	
	87.2115.02	*	Isolation Front 200L	Insulation 200L	PBEN20	
	87.2115.03	*	Isolation Front 300L	Insulation 300L	PBEN30	
	87.2115.04	*	Isolation Front 400L	Insulation 400L	PBEN40	
9	1 201 1961	OG4127	Isolationsclip	Insulation clip	all types	
10	1 201 1959	OG6987	Isolationsnagel	Insulation nail	all types	
11	86.2749.04	*	Frontpanel PBEN08 H700	Frontpanel PBEN08 H700	PBEN08	
	86.2749.05	*	Frontpanel PBEN20 H700	Frontpanel PBEN20 H700	PBEN20	
	86.2749.06	*	Frontpanel PBEN30 H700	Frontpanel PBEN30 H700	PBEN30	
	86.2749.07	*	Frontpanel PBEN40 H700	Frontpanel PBEN40 H700	PBEN40	
	86.2749.17	*	Frontpanel PBEN08 H800	Frontpanel PBEN08 H800	PBEN08	
	86.2749.18	*	Frontpanel PBEN20 H800	Frontpanel PBEN20 H800	PBEN20	
	86.2749.19	*	Frontpanel PBEN30 H800	Frontpanel PBEN30 H800	PBEN30	
	86.2749.20	*	Frontpanel PBEN40 H800	Frontpanel PBEN40 H800	PBEN40	
12	87.1028.01	*	Steuerfront H700	Controll panel H700	all H700	
	87.1028.02	*	Steuerfront H800	Controll panel H800	all H800	
13	87.2114.01	*	Isolation Boden 80L	Insulation bottom 80L	PBEN08	
	87.2114.02	*	Isolation Boden 200L	Insulation bottom 200L	PBEN20	
	87.2114.03	*	Isolation Boden 300 L	Insulation bottom 300L	PBEN30	
	87.2114.04	*	Isolation Boden 400L	Insulation bottom 400L	PBEN40	
14	86.2759.13	*	Bodenblech PBEN08 T800	Bottom plate PBEN08 D800		
	86.2759.16	*	Bodenblech PBEN20 T800	Bottom plate PBEN20 D800		
	86.2759.17	*	Bodenblech PBEN30 T800	Bottom plate PBEN30 D800		
	86.2759.18	*	Bodenblech PBEN40 T800	Bottom plate PBEN40 D800		
	86.2759.07	*	Bodenblech PBEN08 T850	Bottom plate PBEN08 D850		
	86.2759.10	*	Bodenblech PBEN20 T850	Bottom plate PBEN20 D850		
	86.2759.11	*	Bodenblech PBEN30 T850	Bottom plate PBEN30 D850		
	86.2759.12	*	Bodenblech PBEN40 T850	Bottom plate PBEN40 D850		
	86.2759.01	*	Bodenblech PBEN08 T900	Bottom plate PBEN08 D900		
	86.2759.04	*	Bodenblech PBEN20 T900	Bottom plate PBEN20 D900		
	86.2759.05	*	Bodenblech PBEN30 T900	Bottom plate PBEN30 D900		
	86.2759.06	*	Bodenblech PBEN40 T900	Bottom plate PBEN40 D900		
15	1 701 3545	OK1298	U-Scheibe 6.4x18x1.6	Washer 6.4x18x1.6	all types	

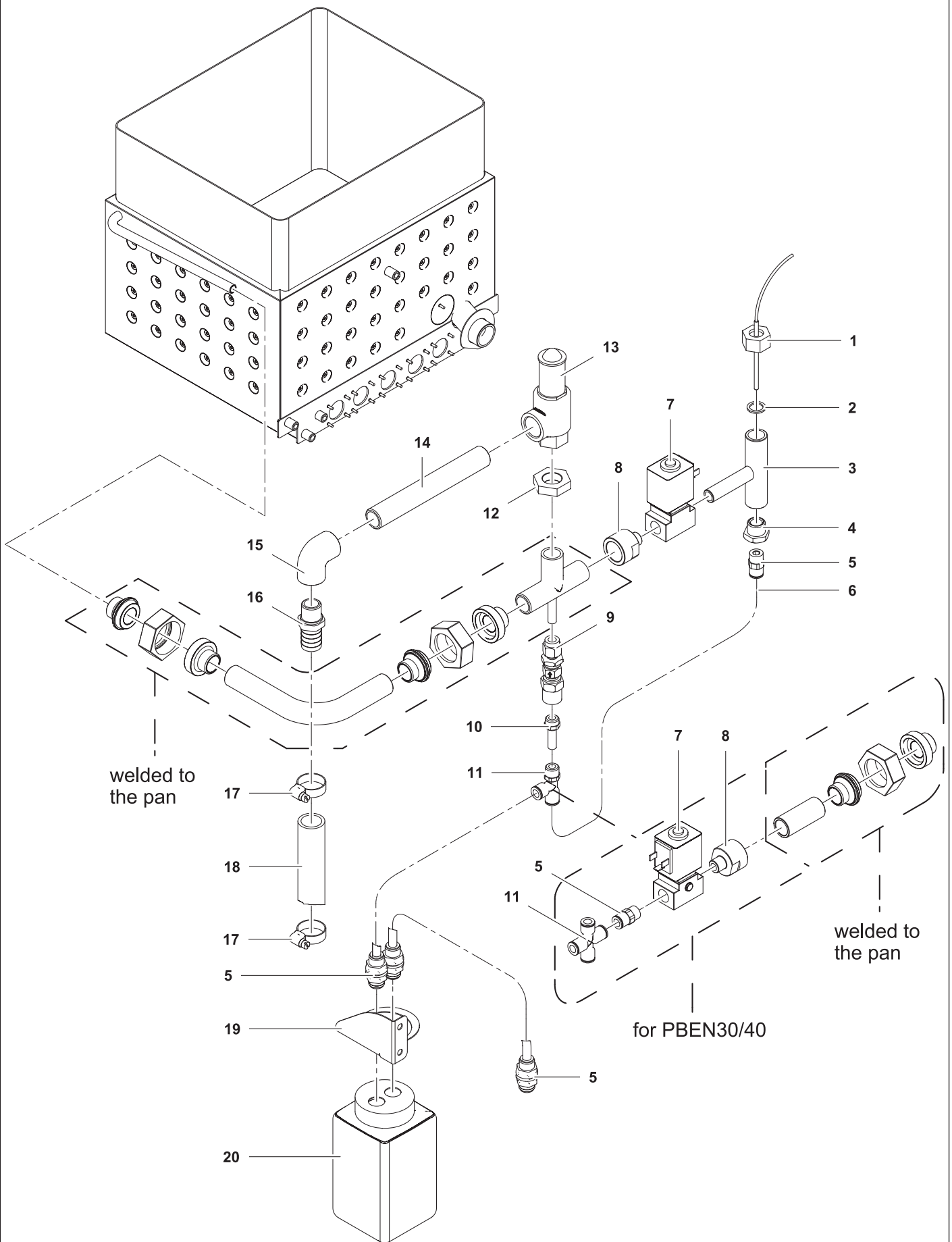
* Components on demand
* Teile auf Anfrage

Doc. № 599A2BH00 / 87.8060.02

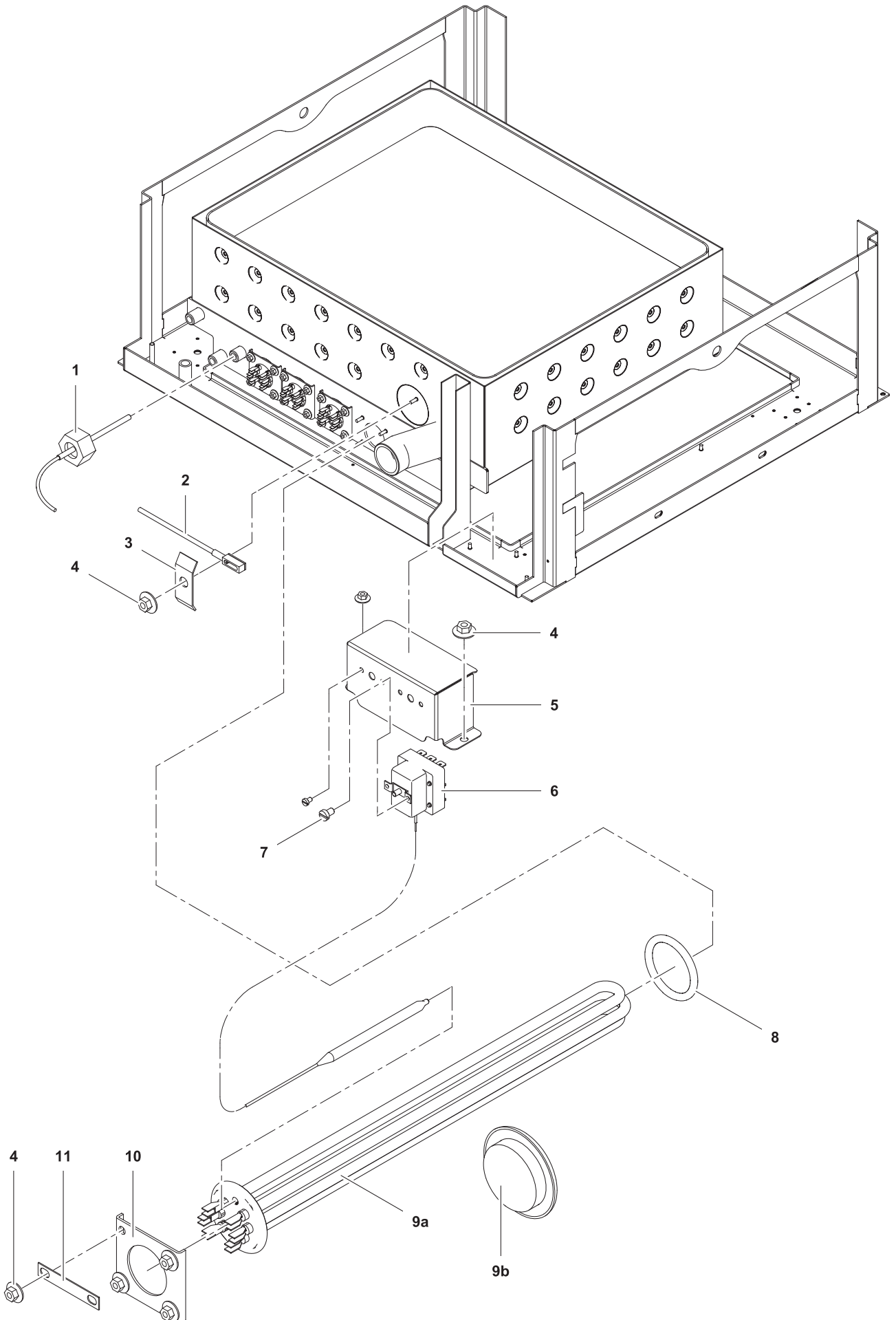
Page: 3



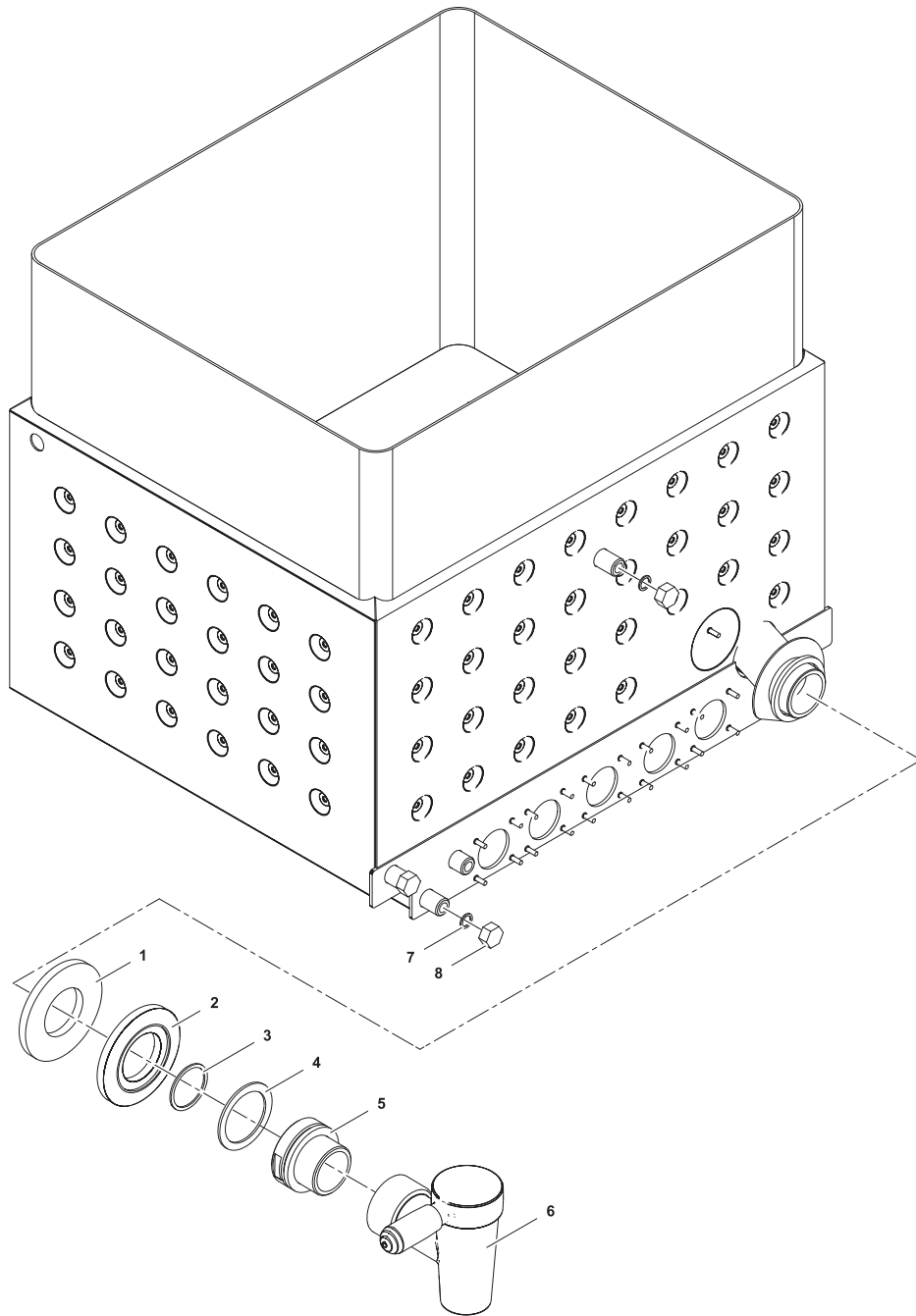
2	Alias	Code	Bezeichnung	Description	Ref.	Valid from Serial N°
1	86.2791.01	*	Steuerfront	Control panel	all H700	
	86.2791.02	OG6663	Steuerfront	Control panel	all H800	
	86.2791.03	*	Steuerfront mit Not-Aus	Control panel with emergency stop	all H700	
	86.2791.04	*	Steuerfront mit Not-Aus	Control panel with emergency stop	all H800	
	86.2791.05	*	Steuerfront mit Hauptschalter	Control panel with main switch	all H700	
	86.2791.06	*	Steuerfront mit Hauptschalter	Control panel with main switch	all H800	
	86.2791.07	*	Steuerfront mit Not-Aus & Hauptschalter	Control panel with emergency stop & main switch	all H700	
	86.2791.08	*	Steuerfront mit Not-Aus & Hauptschalter	Control panel with emergency stop & main switch	all H800	
2	87.1008	OG6081	Folie Steuerfront	Foil control panel		
3	87.9004	OC6546	Abdeckkappe zu USB	USB cover		
4	76.9075.03	OKX129	Notausschalter	Emergency stop button		
5	76.9164.02	OK4979	Hauptschalter 63A	Main switch 63A	PBEN08/20/30	
	76.9149.06	OG7114	Kabel 5x6mm ² L=1400	Cable 5x6mm ² L=1400	PBEN08	until 7441...
	87.9216.02	OG8070	Kabel 5x6mm ²	Cable 5x6mm ²	PBEN08	7451...
	76.9149.08	OT6273	Kabel 5x10mm ² L=1400	Cable 5x10mm ² L=1400	PBEN20/30	until 7441...
	87.9216.03	OG8071	Kabel 5x10mm ²	Cable 5x10mm ²	PBEN20/30	7451...
	76.9164.03	OK4980	Hauptschalter 80A	Main switch 80A	PBEN40	
	76.9149.10		Kabel 5x16mm ² L=1400	Cable 5x16mm ² L=1400	PBEN40	until 7441...
	87.9216.04	OG8072	Kabel 5x16mm ²	Cable 5x16mm ²	PBEN40	7451...
6	76.9108.02	OK5160	Kontaktgeber Notaus	Terminal emergency stop		
7	87.9005	OG7687	Dichtung zu USB	USB sealing		
8	87.9003	OC6547	Halter zu USB	USB support		
9	87.9023	OC6874	Blech zu USB	USB fixation sheet		
10	712 044 120.04	OG4918	Kepsmutter M4	Keps nut M4		
11	87.9030	OC6566	Kabel COPUI40-USB	Cable COPUI40-USB		
12	87.9043	OG6990	Steuerung komplett	User Interface assembled		until 9171...
	87.9242	OG8585	Steuerung komplett COPUI70	User Interface COPUI70 assembled		9181...



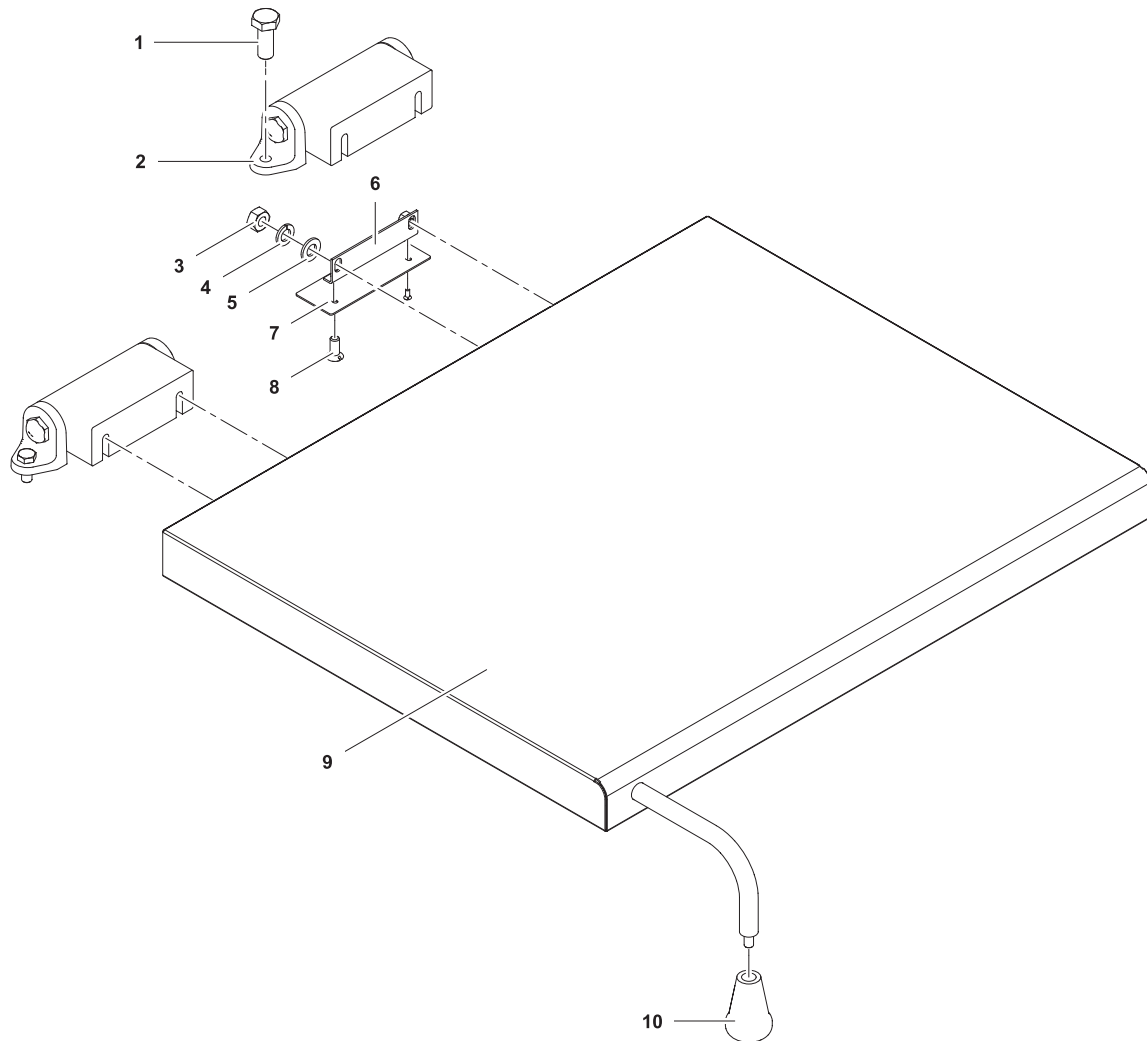
3	Alias	Code	Bezeichnung	Description	Ref.	Valid from Serial N°
1	879148.02	OG5913	TC Sensor grün	TC Sensor green		
2	87.7063	OG7394	Kupferdichtung 13x18x1.5	Copper gasket 13x18x1.5		
3	87.2157.02		T-Stück für Fühler	Tee swivel for sensor		
4	1 701 2829		Reduziernippel 3/8" - 1/4"	Reducing nipple 3/8" - 1/4"		
5	1 701 1557	OG5641	Einschraubanschluss	Screw in connection		
6	1 701 1560	OG5642	Kunststoffschlauch	Plastic tube		
7	76.3035	OK5341	Magnetventil	Solenoid valve		
	76.4935	OK4978	Stecker Magnetventil	Socket solenoid valve		
	87.9017	OG5921	Kabel: COP20 - Entlüftung	Cable: COP20 - Dearation		
	87.9098		Kabel: COP20 - Doppelentlüftung	Cable: COP20 - Double dearation	PBEN30/40	
8	1 116 1228	OG7312	Reduziernippel 1/2" - 1/4"	Reduction nipple 1/2" - 1/4"		
9	87.7073	OG6745	Rückschlagventil mit Filter	Check valve with filter		
10	1 701 1564	OG7000	Einschraubsteckstutzen	Screw in nozzle		
11	1 701 1558	OG5640	Einschraubanschluss	Screw in connection	PBEN08/20	
	1 701 1563	OG6460	Kreuz-Einschraubanschluss	Cross screw in connection	PBEN30/40	
12	1 102 2471		Sechskantmutter R-217 G1/2"	Hexnut R-217 G1/2"		
13	86.2424	OG5631	Sicherheitsventil	Safety valve		
14	87.3003		Doppelrippel 1/2" x 150	Double nipple 1/2" x 150		
15	1 116 1140	OG5185	Winkel 90° 1/2"	Elbow 90° 1/2"		
16	1 116 1212	OG7249	Schlauchrippel 1/2"-20	Hose nipple 1/2"-20		
17	1 103 1170	OK4550	Schlauchklemme D25-35	Hose clamp D25-35		
18	1 115 1417	OK5830	Silikonschlauch	Silicon tube		
19	86.2734	OG6500	Kondensatorhalter	Condenser support		
20	86.2226	OG5105	Weithaltflasche	Wide neck bottle		



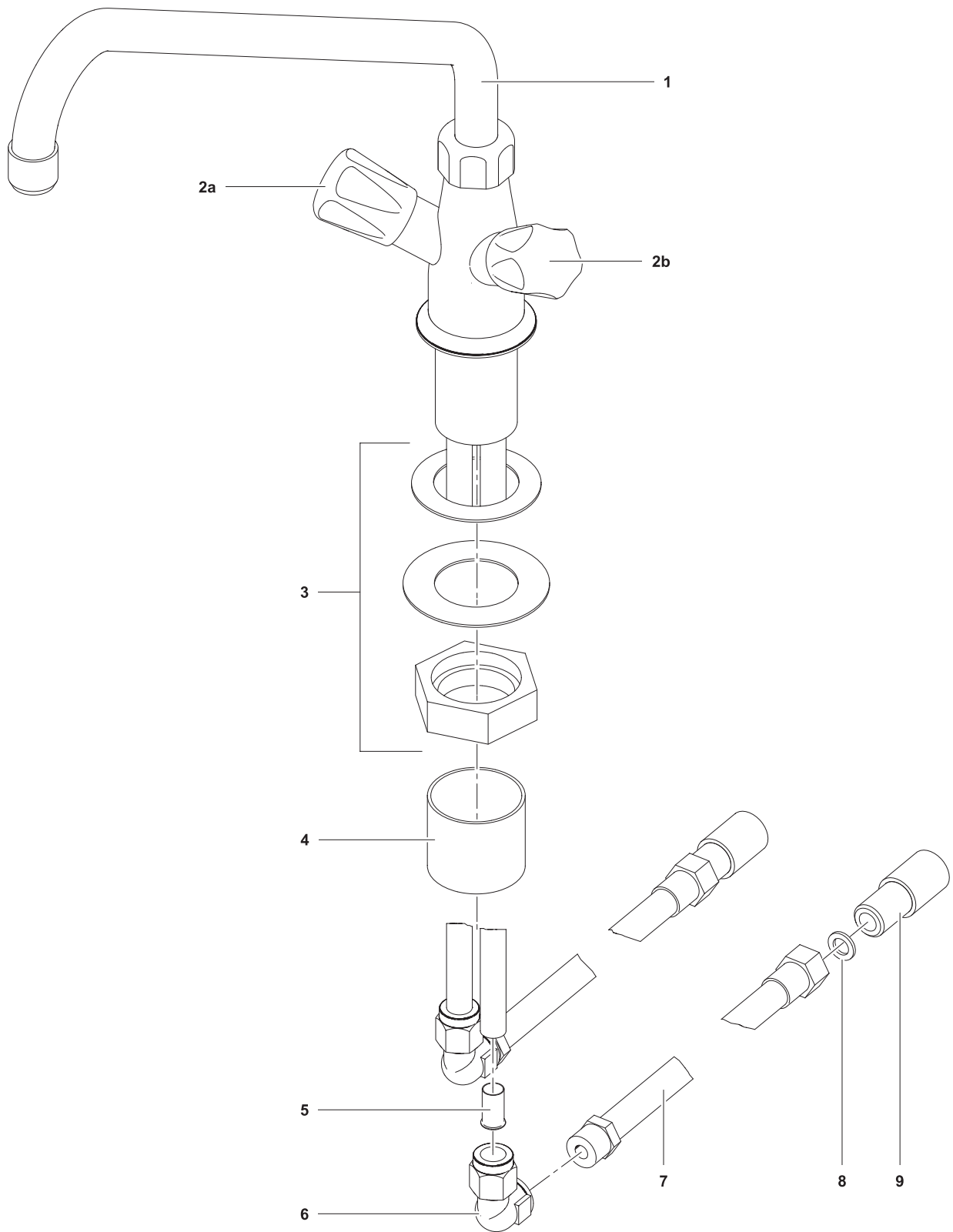
4	Alias	Code	Bezeichnung	Description	Ref.	Valid from Serial N°
1	879148.01	0G5912	TC Sensor grün	TC Sensor green		
2	879147.01		TC Sensor Food gelb	TC Sensor Food yellow		
3	76.4191	0G3087	Halter Kochgutfühler	Food Sensor support		
4	712 044 120.05	0G3998	Kepsmutter M5	Kepsnut M5		
5	87.2103		STB-Halterung	STB-Support		
6	76.3033	0K5143	Sicherheitstemperaturbegrenzer (STB)	Safety temperature limiter (STB)		
7	1 701 2077	0G4174	Zylinderschraube M4x6	Allen screw M4x6		
8	718 042198	0G7398	Dichtungsring	Sealing ring		
9a	76.3028.03	0K4733	Heizung 4.500 KW 230V	Heating 4.500 KW 230V		
	76.3028.04	0K4734	Heizung 4.500 KW 230V	Heating 4.500 KW 230V		
	76.3029.03	0K4735	Heizung 6.000 KW 230V	Heating 6.000 KW 230V		
	76.3029.04	0K4736	Heizung 6.000 KW 230V	Heating 6.000 KW 230V		
9b	718 042197		Blindflansch	Blank flange		
10	718 044192	0K4835	Spannblech Heizung	Fixation sheet heating		
11	70.0534		Fühlerhalter	Sensor support		

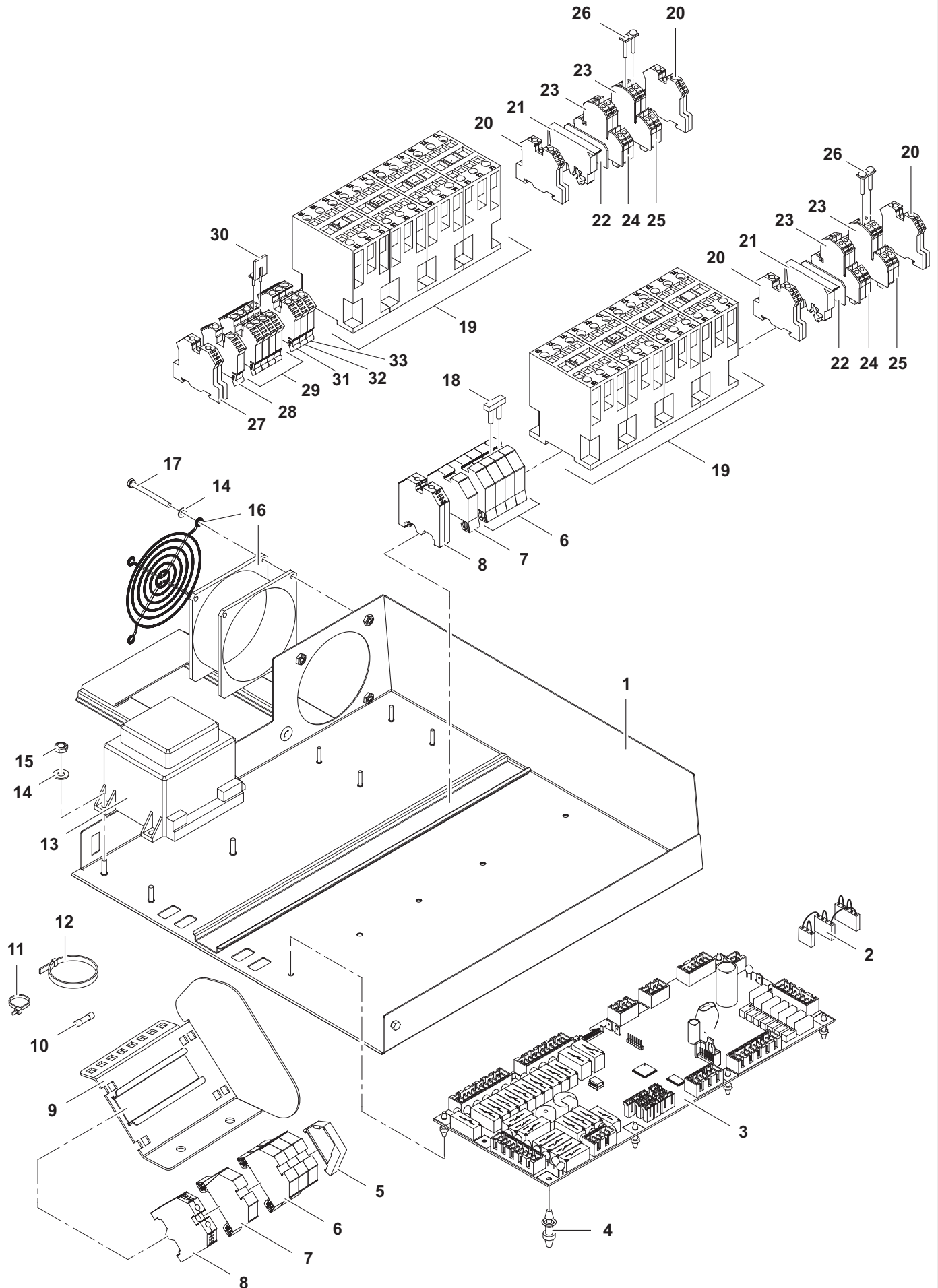


5	Alias	Code	Bezeichnung	Description	Ref.	Valid from Serial N°
1	1 117 1289	0G5644	Dichtung zu Rosette	Gasket to rosette		
2	1 117 1262	0A2149	Rosette	Rosette		
3	76.624	0G5164	Dichtung Ø49xØ57x2	Gasket Ø49xØ57x2		
4	87.0132	0G7796	Distanzscheibe	Spacer washer		
5	76.6241	0G5165	Übergangsstück	Adapter piece		
6	87.7055	0G6498	Entleerhahn 2"	Drain tap 2"		
7	712 044481.21	0G3610	Flachdichtung Ø18/11	Flat gasket Ø18/11		
8	712 344853.09	0KX151	Gewindekappe G1/2"	Threaded cap G1/2"		

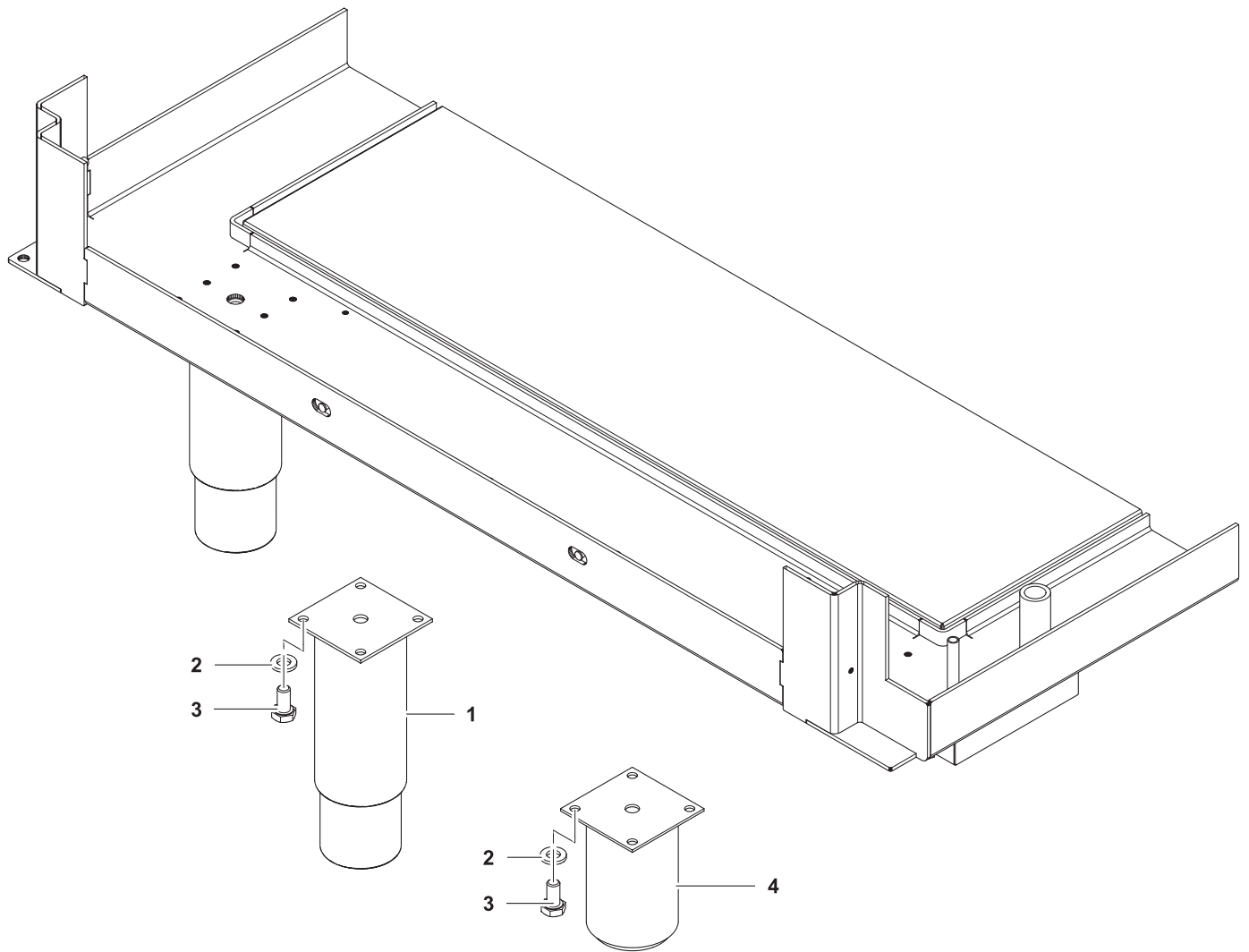


6	Alias	Code	Bezeichnung	Description	Ref.	Valid from Serial N°
1	1 701 2541	OK4600	Schraube 6kt M10x25	Hex screw M10x25		
2	86.3194		Drehgelenk	Pivot joint	PBEN08/20	
	86.3195		Drehgelenk	Pivot joint	PBEN30/40	
3	1 701 3044	OK4612	Mutter M8	Nut M8		
4	1 701 5008	OKL250	Federring M8	Spring washer M8		
5	1 701 3513	OG6088	U-Scheibe Ø8.4x17x1.6	Washer Ø8.4x17x1.6		
6	70.0764	OKL251	Winkel zu Drehgelenk	Angle for pivot joint		
7	70.0765.01	OKL252	Abdeckblech	Cover plate		
8	1 701 1504	OKX205	Linsenschraube M4x8	Fillister head screw M4x8		
9	86.3136.01		Deckel 80L	Lid 80L	PBEN08	
	86.3136.02		Deckel 200L	Lid 200L	PBEN20	
	86.3136.03		Deckel 300L	Lid 300L	PBEN30	
	86.3136.04		Deckel 400L	Lid 400L	PBEN40	
10	86.3253	OG6631	Griff	Handle		





8	Alias	Code	Bezeichnung	Description	Ref.	Valid from Serial N°
1	879012	*	Steuerträger PxEN	Support frame PxEN		
2	87919	OG6638	Jumper Core Temp	Jumper Core Temp		
3	879015	OG5908	Motherboard COP20	Motherboard COP20		until 9051...
	879241	OG8492	Motherboard COP70	Motherboard COP70		9061...
4	75.5000.04	OT2600	Distanzhalter	Spacer		
5	75.2013	OKX290	Arretierstück	Fixation		
6	75.2010.40	OKI280	Reihen клемме 16mm ² beige	Terminal block 16mm ² beige		
	75.2010.50	OG8035	Reihen клемме 35mm ² beige	Terminal block 35mm ² beige	PBEN20-40	7411...
7	75.2010.41	OG3488	Nullleiter клемме 16mm ² blau	Neutral wire terminal 16mm ² blue		
	75.2010.51	OG8036	Nullleiter клемме 35mm ² blau	Neutral wire terminal 35mm ² blue	PBEN20-40	7411...
8	75.2011.03	OKX291	Schutzleiter клемме 16mm ²	Ground conductor terminal 16mm ²		
	75.2011.04	OG8037	Schutzleiter клемме 35mm ²	Ground conductor terminal 35mm ²	PBEN20-40	7411...
9	870014	*	Klemmenträger	Terminal support		
10	712 344362.01	OG5814	Sicherung 5x20 1A	Fuse 5x20 1A		
11	1 115 1235		Kabelbinder schwarz	Cable tie black		
12	1 115 1391		Kabelbinder weiss	Cable tie white		
13	879036	OG5910	Transformator PMA	Transformer PMA		
14	1 701 3502	OG3595	U-Scheibe Ø4.3x9x0.8	Washer Ø4.3x9x0.8		
15	1 701 3004	OK4606	Mutter M4	Nut M4		
16	86.9055	OG5805	Ventilator 208-240V	Ventilator 208-240V		
		*	Fingerschutzgitter	Finger guard		
17	1 701 2636		Schraube 6kt M4x45	Hex screw M4x45		
18	75.2010.44	OKT731	Querverbinder	Cross connection		
19	1 115 1758	OG4646	SCHUETZ K3-24X022	Contacteur K3-24X022		
20	75.2011.01	OKT730	Schutzleiter клемме 4mm ²	Ground conductor terminal 4mm ²		
21	75.2012.01	OK5155	Sicherungsklemme	Fuse holder terminal		
22	75.2012.02	OT2599	Abschlusswand zu Sicherungsklemme	Cover to fuse holder terminal		
23	75.2010.12	OT2598	Abschlusswand	Cover		
24	75.2010.10	OKT734	Reihen клемме 4mm ² grau	Terminal block 4mm ² grey		
25	75.2010.11	OKT733	Nullleiter клемме 4mm ² blau	Neutral wire terminal 4mm ² blue		
26	75.2010.14	OG5735	Querverbinder	Cross connection		
27	75.2011.02	OKT729	Schutzleiter клемме 10mm ²	Ground conductor terminal 10mm ²	PBEN08	
28	75.2010.31	OG3495	Nullleiter клемме 10mm ² blau	Neutral wire terminal 10mm ² blue	PBEN08	
29	75.2010.30	OKT732	Reihen клемме 10mm ² grau	Terminal block 10mm ² grey	PBEN08	
30	75.2010.34	OG3339	Querverbinder	Cross connection	PBEN08	
31	75.2010.20	OG7080	Reihen клемме grau	Terminal block grey		9061...
32	75.2010.21	OG3489	Nullleiter клемме blau	Neutral wire terminal blue		9061...
33	75.2011.01	OKT730	Schutzleiter клемме G/G	Ground conductor terminal G/G		9061...
	1 115 1783	OG6228	Filter FN2060	Filter FN2060		9061...
	76.9117.05	OG5927	T-Litze Haupterd draht	T-Litz wire earthing	PBEN08	
	76.9117.03		T-Litze Haupterd draht	T-Litz wire earthing	PBEN20/30/40	
	879006	OG5922	Kabel: COP20 - Schützen STB	Cable: COP20 - Conductors STB		
	879037	OG5923	Kabel: N - Trafo - P	Cable: N - Transformator - P		
	879039	OG5925	Kabel: Klemmen - Schützen	Cable: Terminal - conductor		
	879095		Kabel: COP20 - Ventilator	Cable: COP20 - Ventilator		



9	Alias	Code	Bezeichnung	Description	Ref.	Valid from Serial N°
1	86.0001	OG5391	Stellfuss 2" H200	Adjustable foot 2" H200	H700	
2	1 701 4003	OG3659	U-Scheibe Ø6.4x12x1.6	Washer Ø6.4x12x1.6		
3	1 701 2600	OKT919	Schraube 6kt M6x12	Hex screw M6x12		
4	86.2385	OG6140	Stellfuss 2" H100	Adjustable foot 2" H100	H800	