

**PROTHERMETIC****DE  
EN****PBEN-S  
PBEN-S****STANDKOCHKESSEL, DAMPF, ECKIG  
BOILING PAN, STEAM, RECTANGLE**

<b>Page</b>	<b>Baugruppe</b>	<b>Assembly group</b>	<b>Models</b>
2	Verschalung	Casing	PBEN-S
4	Schalterfront Steuerung	Switch panel control system	PBEN-S
6	Sicherheitsventil	Safety valve	PBEN-S
8	Dampfleitungen	Steamlines	PBEN-S
10	Auslaufhahn	Drain tap	PBEN-S
11	Deckel	Lid	PBEN-S
12	Mischbatterie	Mixing tap	PBEN-S
14	Steuerung	Control	PBEN-S
16	Wasser Füll Automat	Automatic Water Filling	PBEN-S
18	Füsse	Feet	PBEN-S

**Last Updates**

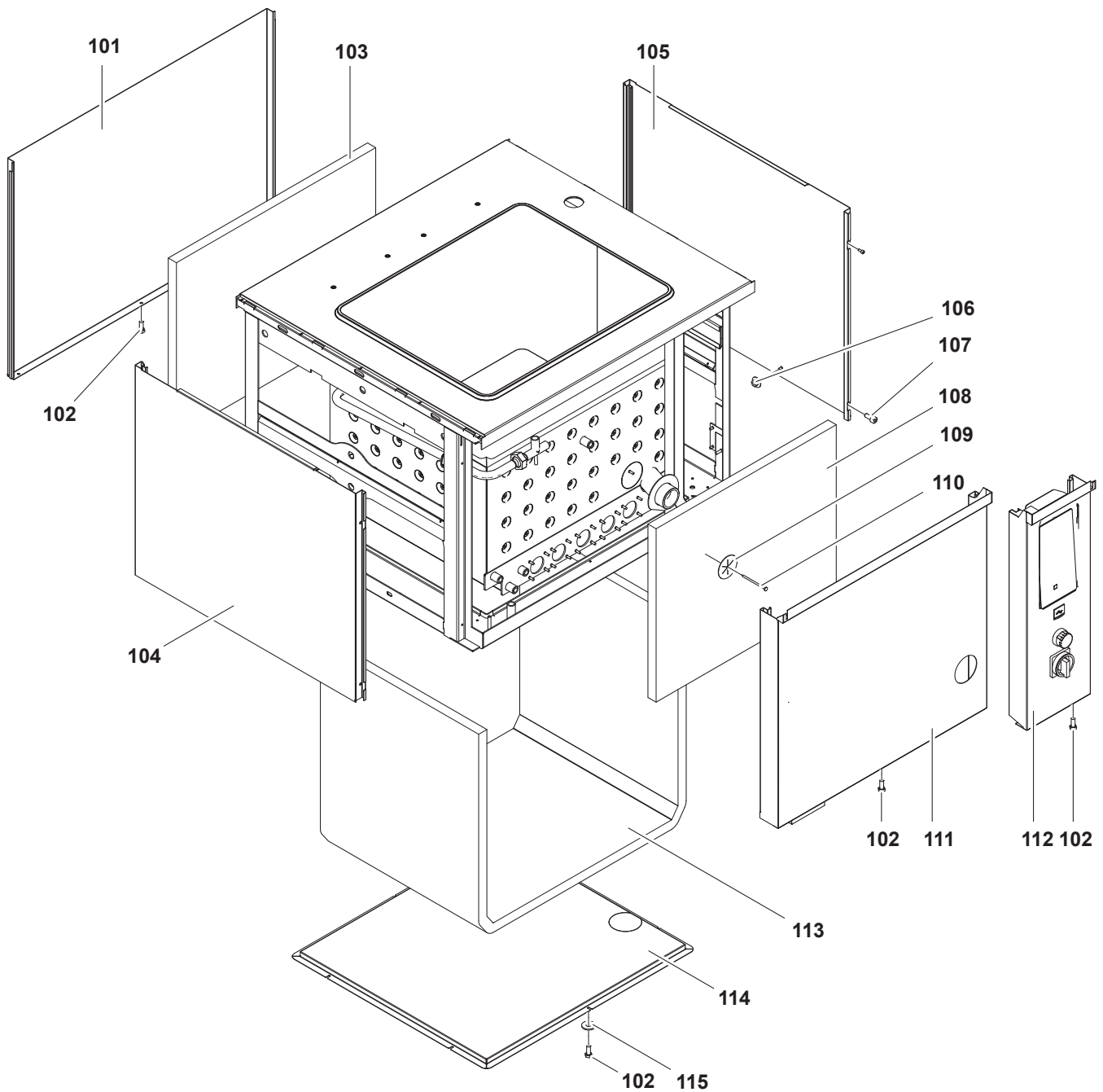
02/2016  
10/2018  
01/2019  
06/2019  
08/2019  
11/2019  
04/2021  
08/2023

**Page**

all  
10  
15  
5  
13  
13  
15  
16 / 17

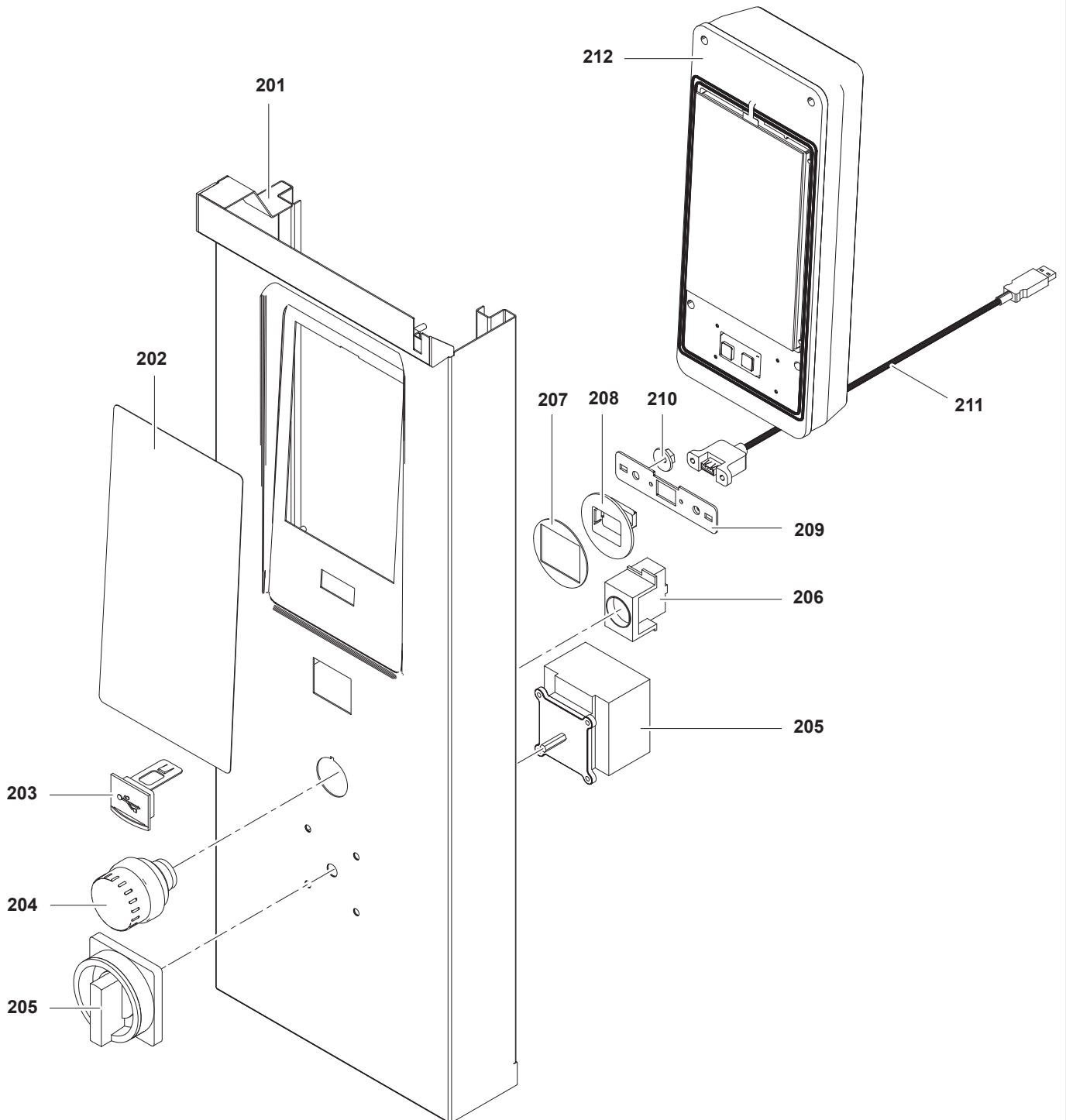
**Pos.**

2, 26, 27, 28  
12  
1  
7  
2  
added WFA

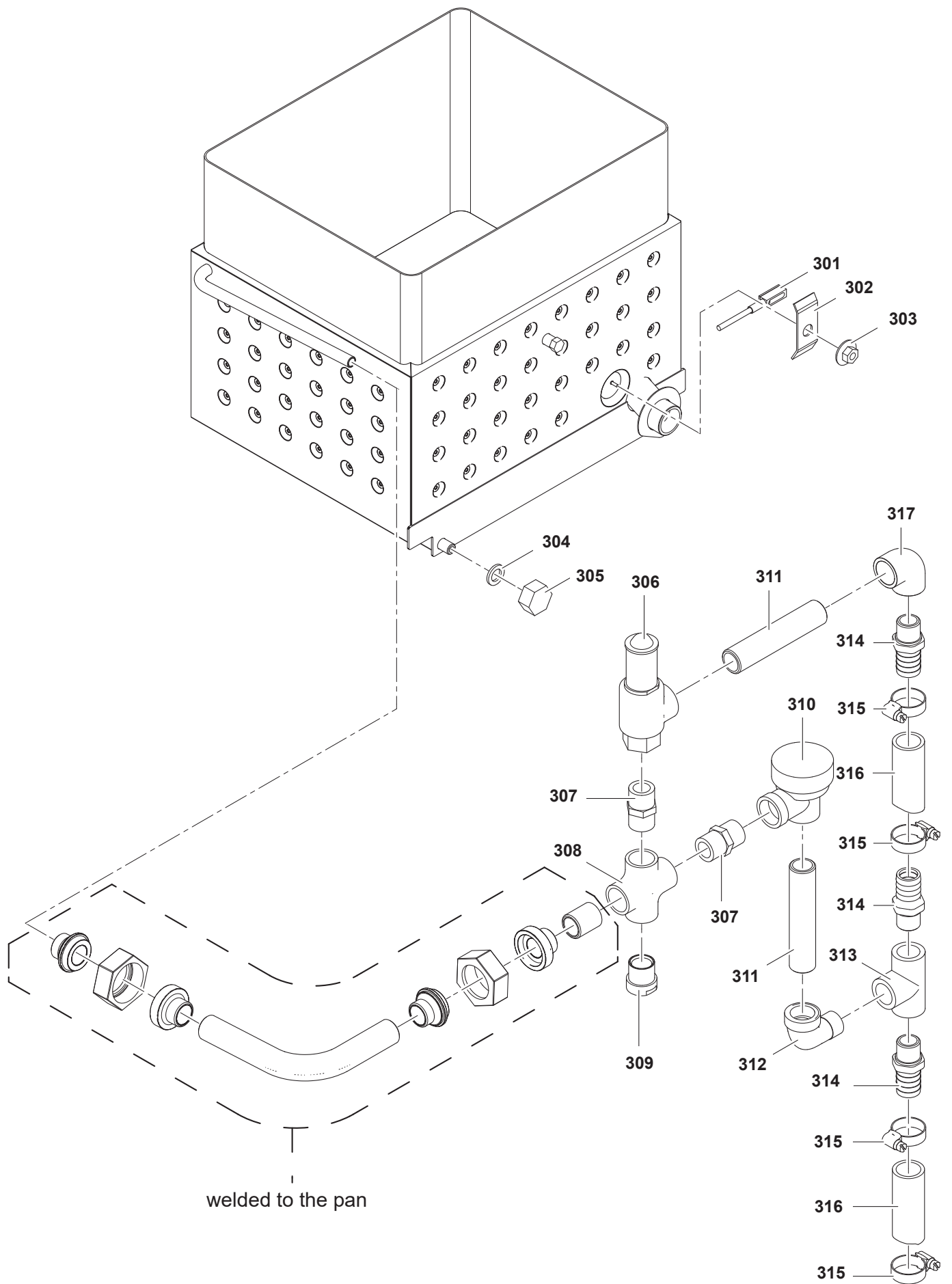


1	Alias	Code	Bezeichnung	Description	Ref.	Valid from Serial N°
101	86.2788.01	*	Rückpanel PBEN08 B700 / H700	Rearpanel PBEN08 W700 / H700		
101	86.2788.04	*	Rückpanel PBEN20 B1000 / H700	Rearpanel PBEN20 W1000 / H700		
101	86.2788.05	*	Rückpanel PBEN30 B1400 / H700	Rearpanel PBEN30 W1400 / H700		
101	86.2788.06	*	Rückpanel PBEN40 B1700 / H700	Rearpanel PBEN40 W1700 / H700		
101	86.2788.07	*	Rückpanel PBEN08 B700 / H800	Rearpanel PBEN08 W700 / H800		
101	86.2788.10	*	Rückpanel PBEN20 B1000 / H700	Rearpanel PBEN20 W1000 / H700		
101	86.2788.11	*	Rückpanel PBEN30 B1400 / H700	Rearpanel PBEN30 W1400 / H700		
101	86.2788.12	*	Rückpanel PBEN40 B1700 / H700	Rearpanel PBEN40 W1700 / H700		
102	1 701 2509	OK4598	Schraube 6kt M5 x 12	Hexscrew M5 x 12	all types	
103	87.2116.01	*	Isolation Rücken 80L	Insulation Back 80L	PBEN08	
103	87.2116.02	*	Isolation Rücken 200L	Insulation Back 200L	PBEN20	
103	87.2116.03	*	Isolation Rücken 300L	Insulation Back 300L	PBEN30	
103	87.2116.04	*	Isolation Rücken 400L	Insulation Back 400L	PBEN40	
104	86.2787.06	*	Seitenwand links H700 / T800	Sidepanel left H700 / D800		
104	86.2787.04	*	Seitenwand links H700 / T850	Sidepanel left H700 / D850		
104	86.2787.02	*	Seitenwand links H700 / T900	Sidepanel left H700 / D900		
104	86.2787.12	*	Seitenwand links H800 / T800	Sidepanel left H800 / D800		
104	86.2787.08	*	Seitenwand links H800 / T900	Sidepanel left H800 / D900		
105	86.2787.05	*	Seitenwand rechts H700 / T800	Sidepanel right H700 / D800		
105	86.2787.03	*	Seitenwand rechts H700 / T850	Sidepanel right H700 / D850		
105	86.2787.01	*	Seitenwand rechts H700 / T900	Sidepanel right H700 / D900		
105	86.2787.11	*	Seitenwand rechts H800 / T800	Sidepanel right H800 / D800		
105	86.2787.07	*	Seitenwand rechts H800 / T900	Sidepanel right H800 / D900		
106	712 044 120.05	OG3998	Kepsmutter M5	Keps nut M5	all types	
107	1 101 8123	OG3849	Schraube I-6kt M5x12	Socket screw M5x12	all types	
108	87.2115.01	*	Isolation Front 80L	Insulation Front 80L	PBEN08	
108	87.2115.02	*	Isolation Front 200L	Insulation 200L	PBEN20	
108	87.2115.03	*	Isolation Front 300L	Insulation 300L	PBEN30	
108	87.2115.04	*	Isolation Front 400L	Insulation 400L	PBEN40	
109	1 201 1961	OG4127	Isolationsclip	Insulation clip	all types	
110	1 201 1959	OG6987	Isolationsnagel	Insulation nail	all types	
111	86.2749.04	*	Frontpanel PBEN08 H700	Frontpanel PBEN08 H700	PBEN08	
111	86.2749.05	*	Frontpanel PBEN20 H700	Frontpanel PBEN20 H700	PBEN20	
111	86.2749.06	*	Frontpanel PBEN30 H700	Frontpanel PBEN30 H700	PBEN30	
111	86.2749.07	*	Frontpanel PBEN40 H700	Frontpanel PBEN40 H700	PBEN40	
111	86.2749.17	*	Frontpanel PBEN08 H800	Frontpanel PBEN08 H800	PBEN08	
111	86.2749.18	*	Frontpanel PBEN20 H800	Frontpanel PBEN20 H800	PBEN20	
111	86.2749.19	*	Frontpanel PBEN30 H800	Frontpanel PBEN30 H800	PBEN30	
111	86.2749.20	*	Frontpanel PBEN40 H800	Frontpanel PBEN40 H800	PBEN40	
112	87.1028.01	*	Steuerfront H700	Controll panel H700	all H700	
112	87.1028.02	*	Steuerfront H800	Controll panel H800	all H800	
113	87.2114.01	*	Isolation Boden 80L	Insulation bottom 80L	PBEN08	
113	87.2114.02	*	Isolation Boden 200L	Insulation bottom 200L	PBEN20	
113	87.2114.03	*	Isolation Boden 300 L	Insulation bottom 300L	PBEN30	
113	87.2114.04	*	Isolation Boden 400L	Insulation bottm 400L	PBEN40	
114	86.2759.13	*	Bodenblech PBEN08 T800	Bottom plate PBEN08 D800		
114	86.2759.16	*	Bodenblech PBEN20 T800	Bottom plate PBEN20 D800		
114	86.2759.17	*	Bodenblech PBEN30 T800	Bottom plate PBEN30 D800		
114	86.2759.18	*	Bodenblech PBEN40 T800	Bottom plate PBEN40 D800		
114	86.2759.07	*	Bodenblech PBEN08 T850	Bottom plate PBEN08 D850		
114	86.2759.10	*	Bodenblech PBEN20 T850	Bottom plate PBEN20 D850		
114	86.2759.11	*	Bodenblech PBEN30 T850	Bottom plate PBEN30 D850		
114	86.2759.12	*	Bodenblech PBEN40 T850	Bottom plate PBEN40 D850		
114	86.2759.01	*	Bodenblech PBEN08 T900	Bottom plate PBEN08 D900		
114	86.2759.04	*	Bodenblech PBEN20 T900	Bottom plate PBEN20 D900		
114	86.2759.05	*	Bodenblech PBEN30 T900	Bottom plate PBEN30 D900		
114	86.2759.06	*	Bodenblech PBEN40 T900	Bottom plate PBEN40 D900		
115	1 701 3545	OKI298	U-Scheibe 6.4x18x1.6	Washer 6.4x18x1.6	all types	

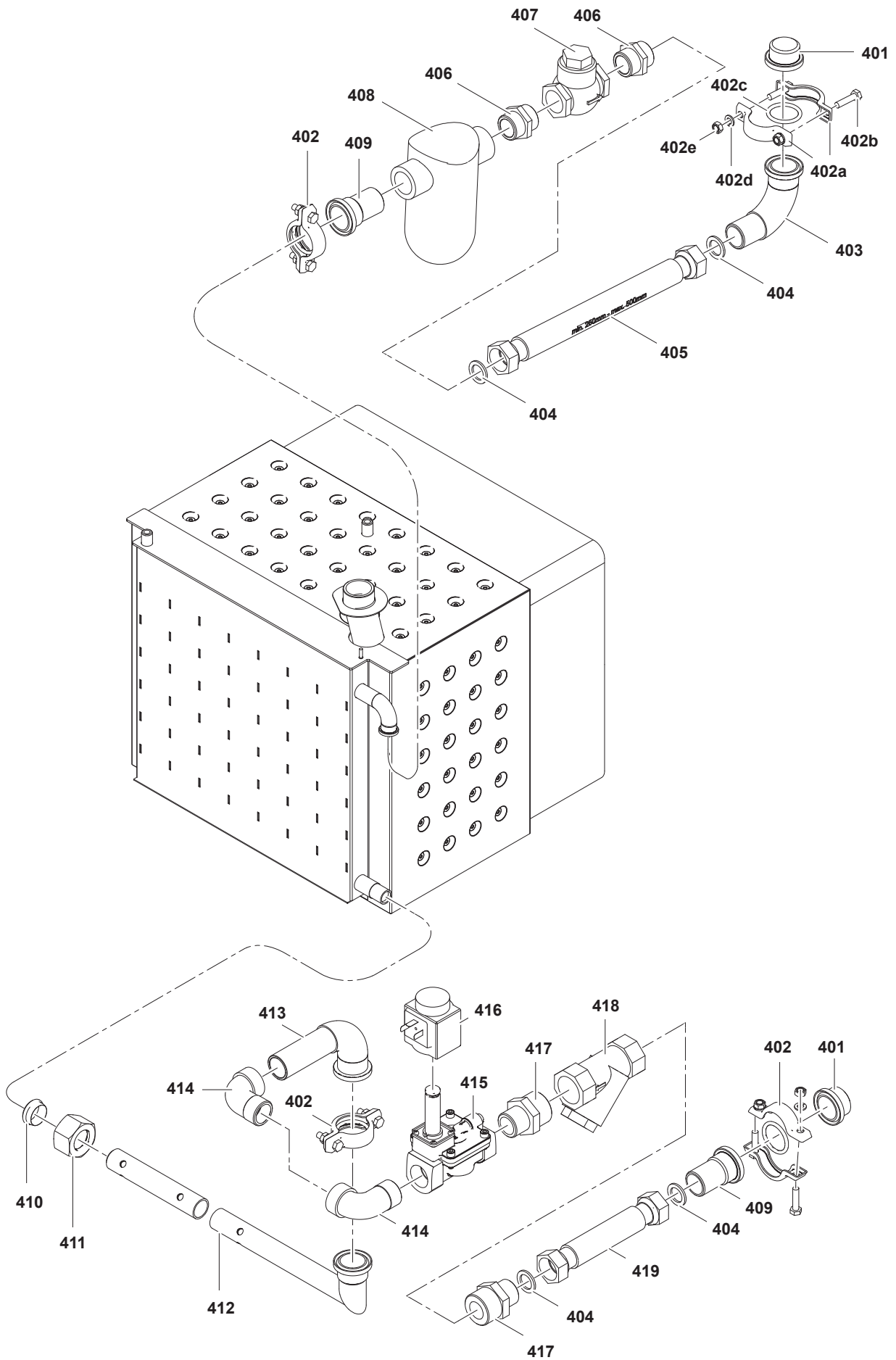
\* Components on demand  
\* Teile auf Anfrage



2	Alias	Code	Bezeichnung	Description	Ref.	Valid from Serial N°
201	86.2791.01	*	Steuerfront	Control panel	all H700	
201	86.2791.02	0G6663	Steuerfront	Control panel	all H800	
201	86.2791.03	*	Steuerfront mit Not-Aus	Control panel with emergency stop	all H700	
201	86.2791.04	*	Steuerfront mit Not-Aus	Control panel with emergency stop	all H800	
201	86.2791.05	*	Steuerfront mit Hauptschalter	Control panel with main switch	all H700	
201	86.2791.06	*	Steuerfront mit Hauptschalter	Control panel with main switch	all H800	
201	86.2791.07	*	Steuerfront mit Not-Aus & Hauptschalter	Control panel with emergency stop & main switch	all H700	
201	86.2791.08	*	Steuerfront mit Not-Aus & Hauptschalter	Control panel with emergency stop & main switch	all H800	
202	871008	0G6081	Folie Steuerfront	Foil control panel		
203	879004	0C6546	Abdeckkappe zu USB	USB cover		
204	76.9075.03	0KX129	Notausschalter	Emergency stop button		
205	76.9164.02	0K4979	Hauptschalter 63A	Main switch 63A	PBEN08/20/30	
205	76.9149.06	0G7114	Kabel 5x6mm2 L=1400	Cable 5x6mm2 L=1400	PBEN08	
205	76.9149.08	0T6273	Kabel 5x10mm2 L=1400	Cable 5x10mm2 L=1400	PBEN20/30	
205	76.9164.03	0K4980	Hauptschalter 80A	Main switch 80A	PBEN40	
205	76.9149.10		Kabel 5x16mm2 L=1400	Cable 5x16mm2 L=1400	PBEN40	
206	76.9108.02	0K5160	Kontaktgeber Notaus	Terminal emergency stop		
207	87.9005	0G7687	Dichtung zu USB	USB sealing		
208	87.9003	0C6547	Halter zu USB	USB support		
209	87.9023	0C6874	Blech zu USB	USB fixation sheet		
210	712 044 120.04	0G4918	Kepsmutter M4	Keps nut M4		
211	87.9030	0C6566	Kabel COPUI40-USB	Cable COPUI40-USB		
212	87.9043	0G6990	Steuerung komplett	User Interface assembled		until 9171...
212	87.9242	0G8585	Steuerung komplett COPUI70	User Interface COPUI70 assembled		9181...

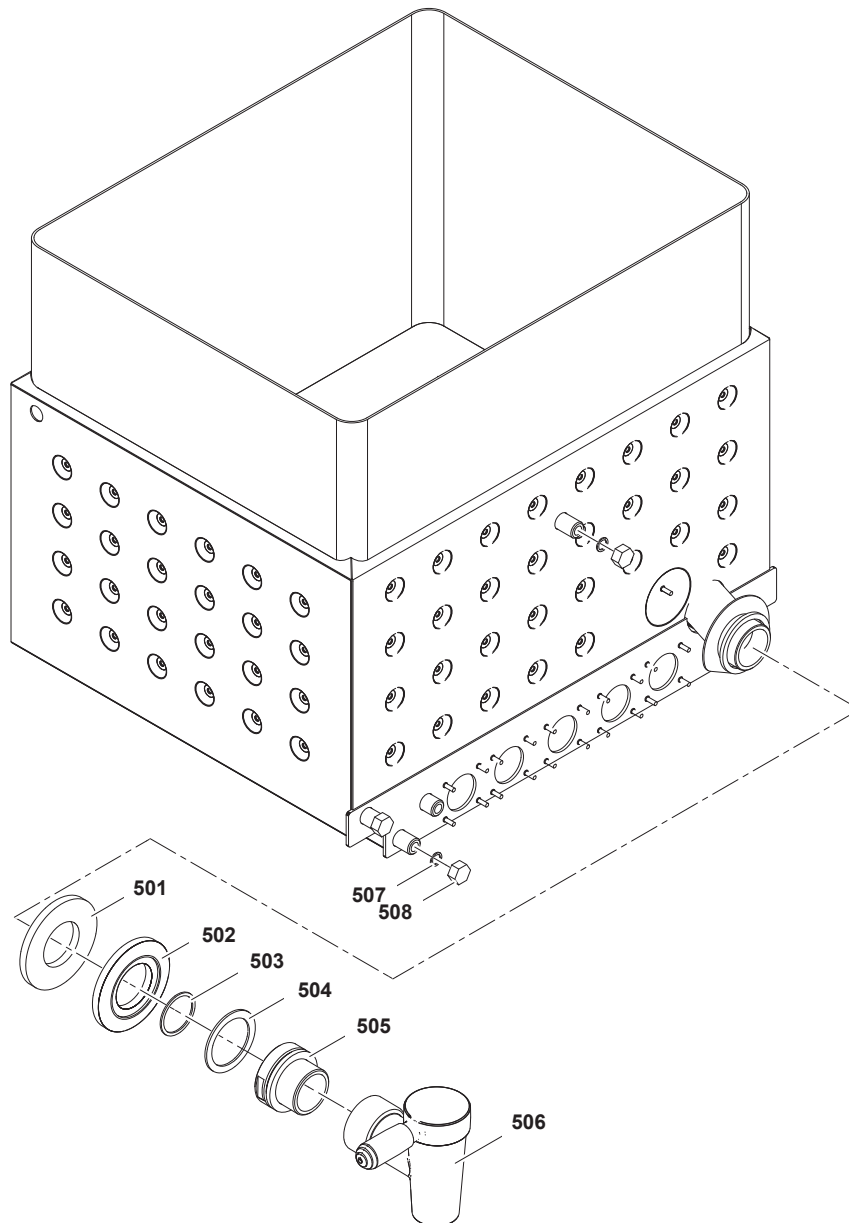




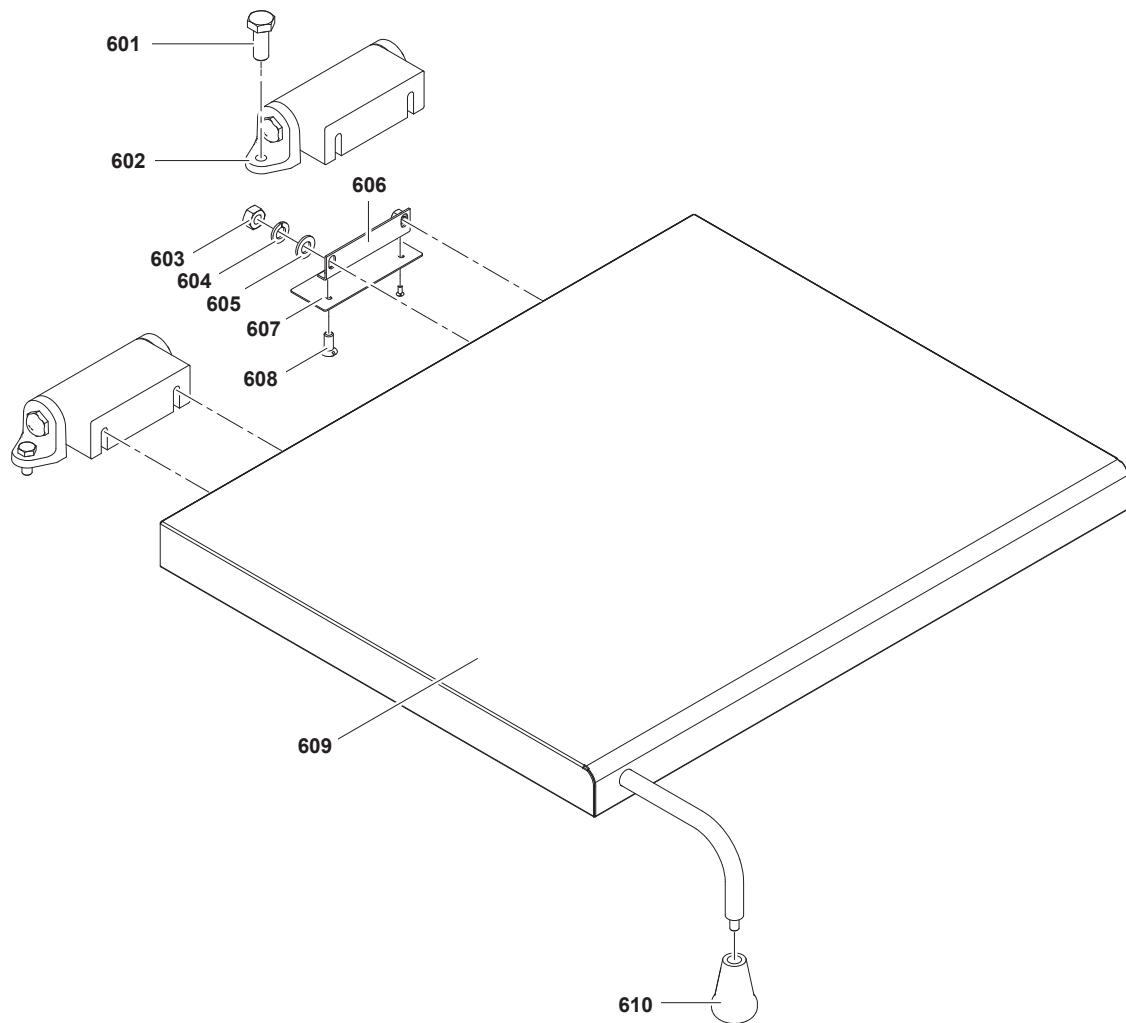




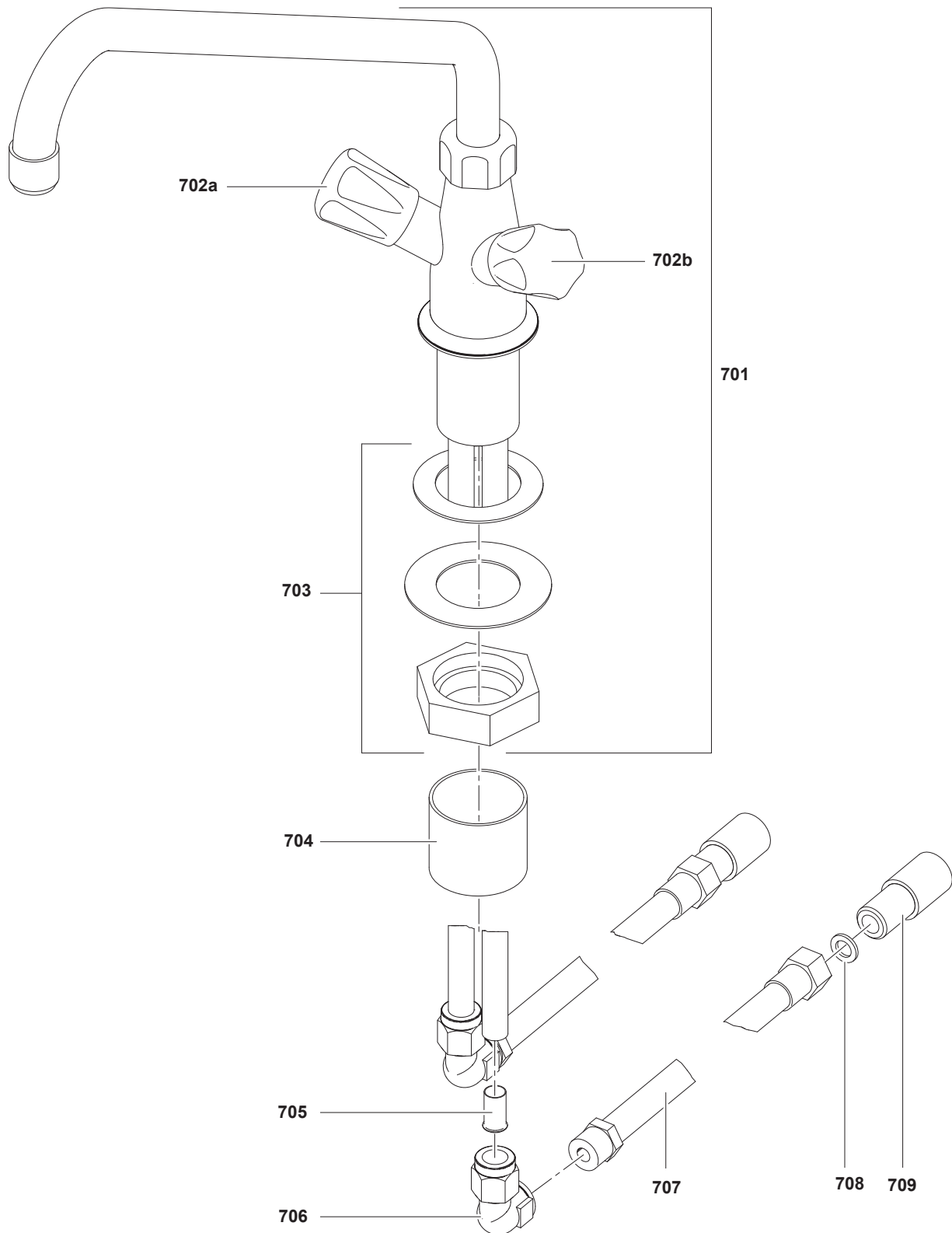




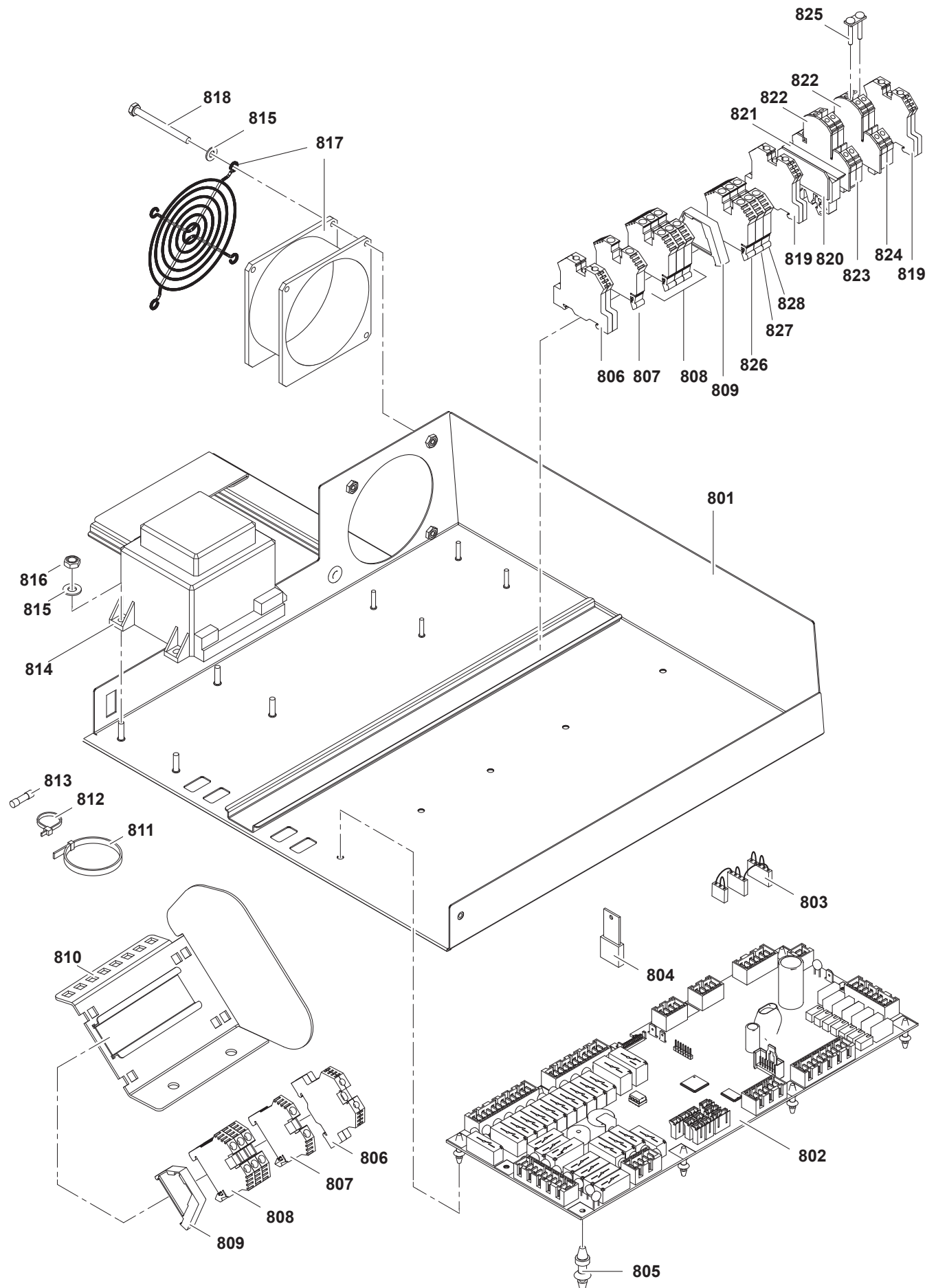
5	Alias	Code	Bezeichnung	Description	Ref.	Valid from Serial N°
501	1 117 1289	0G5644	Dichtung zu Rosette	Gasket to rosette		
502	1 117 1262	0A2149	Rosette	Rosette		
503	76.624	0G5164	Dichtung Ø49xØ57x2	Gasket Ø49xØ57x2		
504	87.0132	0G7796	Distanzscheibe	Spacer washer		
505	76.6241	0G5165	Übergangsstück	Adapter piece		
506	87.7055	0G6498	Entleerhahn 2"	Drain tap 2"		
507	712 044481.21	0G3610	Flachdichtung Ø18/11	Flat gasket Ø18/11		
508	712 344853.09	0KX151	Gewindekappe G1/2"	Threaded cap G1/2"		



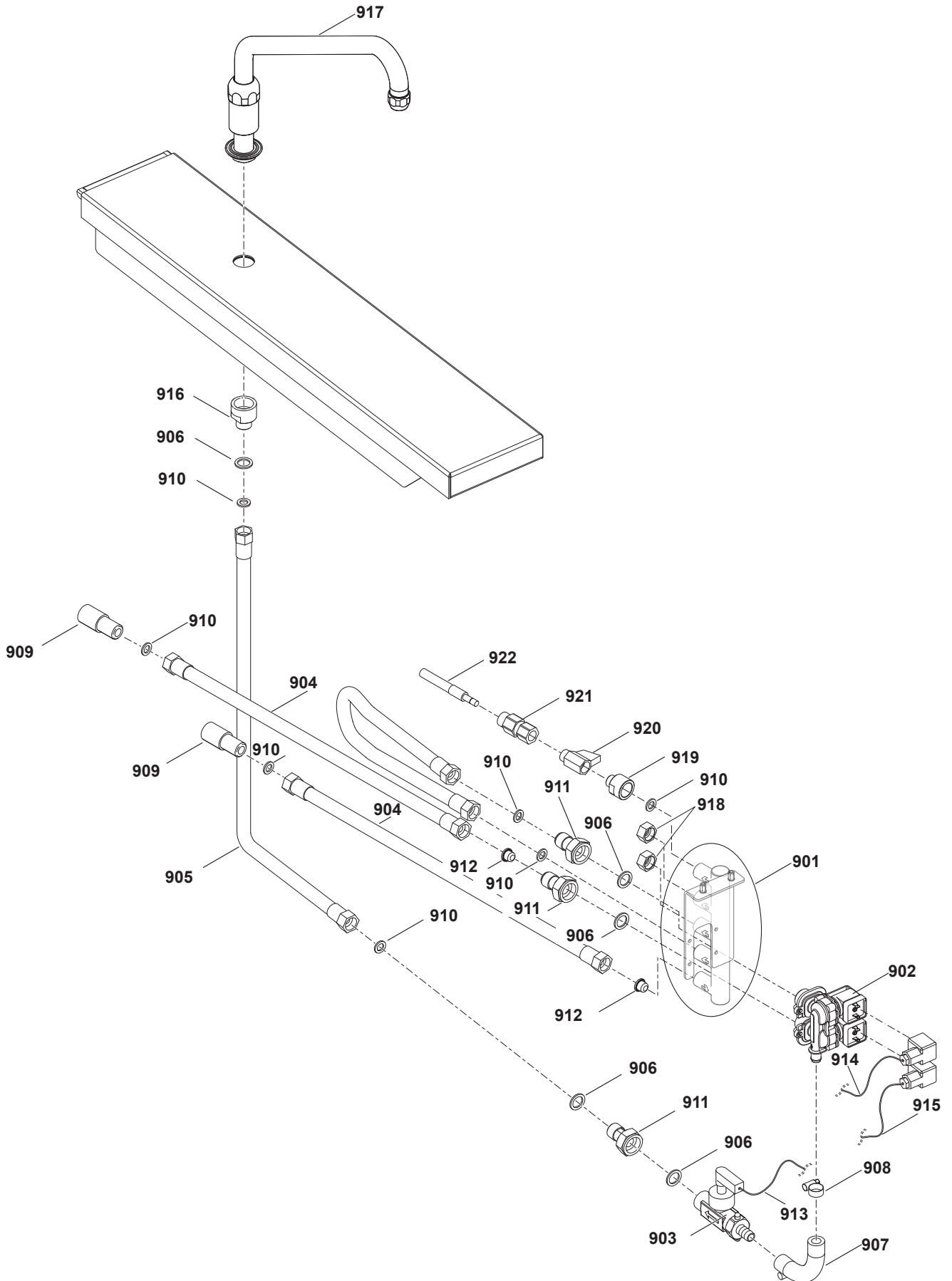
6	Alias	Code	Bezeichnung	Description	Ref.	Valid from Serial N°
601	1 701 2541	OK4600	Schraube 6kt M10x25	Hex screw M10x25		
602	86.3194	OG8047	Drehgelenk	Pivot joint	PBEN08/20	
602	86.3195	OG8722	Drehgelenk	Pivot joint	PBEN30/40	
603	1 701 3044	OK4612	Mutter M8	Nut M8		
604	1 701 5008	OKL250	Federring M8	Spring washer M8		
605	1 701 3513	OG6088	U-Scheibe Ø8.4x17x1.6	Washer Ø8.4x17x1.6		
606	70.0764	OKL251	Winkel zu Drehgelenk	Angle for pivot joint		
607	70.0765.01	OKL252	Abdeckblech	Cover plate		
608	1 701 1504	OKX205	Linsenschraube M4x8	Fillister head screw M4x8		
609	86.3136.01		Deckel 80L	Lid 80L	PBEN08	
609	86.3136.02		Deckel 200L	Lid 200L	PBEN20	
609	86.3136.03		Deckel 300L	Lid 300L	PBEN30	
609	86.3136.04		Deckel 400L	Lid 400L	PBEN40	
610	86.3253	OG6631	Griff	Handle		







8	Alias	Code	Bezeichnung	Description	Ref.	Valid from Serial N°
801	87.9012	*	Steuerträger PxEN	Support frame PxEN		
802	87.9015	OG5908	Motherboard COP20	Motherboard COP20		until 9051...
802	87.9241	OG8953	Motherboard COP70	Motherboard COP70		9061...
803	87.9190	OG6638	Jumper Core Temp	Jumper Core Temp		
804	87.9191	OG7123	Jumper	Jumper		
805	75.5000.04	OT2600	Distanzhalter	Spacer		
806	75.2011.02	OKT729	Schutzleiterklemme 10mm <sup>2</sup>	Ground conductor terminal 10mm <sup>2</sup>		
807	75.2010.31	OG3495	Nullleiterklemme 10mm <sup>2</sup> blau	Neutral wire terminal 10mm <sup>2</sup> blue		
808	75.2010.30	OKT732	Reihenleiterklemme 10mm <sup>2</sup> grau	Terminal block 10mm <sup>2</sup> grey		
809	75.2013	OKX290	Arretierstück	Fixation		
810	87.0014	*	Klemmenträger	Terminal support		
811	1 115 1391	OG8912	Kabelbinder weiss	Cable tie white		
812	1 115 1235	OG8913	Kabelbinder schwarz	Cable tie black		
813	712 344362.01	OG5814	Sicherung 5x20 1A	Fuse 5x20 1A		
814	87.9036	OG5910	Transformator PMA	Transformer PMA		
815	1 701 3502	OG3595	U-Scheibe Ø4.3x9x0.8	Washer Ø4.3x9x0.8		
816	1 701 3004	OK4606	Mutter M4	Nut M4		
817	86.9055	OG5805	Ventilator 208-240V	Ventilator 208-240V		
		*	Fingerschutzgitter	Finger guard		
818	1 701 2636		Schraube 6kt M4x45	Hex screw M4x45		
819	75.2011.01	OKT730	Schutzleiterklemme 4mm <sup>2</sup>	Ground conductor terminal 4mm <sup>2</sup>		
820	75.2012.02	OT2599	Abschlusswand zu Sicherungsklemme	Cover to fuse holder terminal		
821	75.2012.01	OK5155	Sicherungsklemme	Fuse holder terminal		
822	75.2010.12	OT2598	Abschlusswand	Cover		
823	75.2010.10	OKT734	Reihenleiterklemme 4mm <sup>2</sup> grau	Terminal block 4mm <sup>2</sup> grey		
824	75.2010.11	OKT733	Nullleiterklemme 4mm <sup>2</sup> blau	Neutral wire terminal 4mm <sup>2</sup> blue		
825	75.2010.14	OG5735	Querverbinder	Cross connection		
826	75.2010.20	OG7080	Reihenleiterklemme grau	Terminal block grey		9061...
827	75.2010.21	OG3489	Nullleiterklemme blau	Neutral wire terminal blue		9061...
828	75.2011.01	OKT730	Schutzleiterklemme G/G	Ground conductor terminal G/G		9061...
	1 115 1783	OG6228	Filter FN2060	Filter FN2060		9061...
	76.9117.05	OG5927	T-Litze Haupterdraht	T-Litz wire earthing		
	87.9037	OG5923	Kabel: N - Trafo - P	Cable: N - Transformer - P		
	87.9095		Kabel: COP20 - Ventilator	Cable: COP20 - Ventilator		





9	Alias	Code	Bezeichnung	Description	Ref.	Valid from Serial N°
901	87.7138	0G8267	Wasserverteiler WFA 2.0	Water distributor WFA 2.0		
902	87.7139	0G8030	"2/2-Weg Magnetventil 1 3/4" A1/2 Schlaucht"	2/2-way solenoid valve 1 3/4" A1/2" hoses		
903	76.9668	0G3702	Durchflussmesser WFA	Flow meter WFA		
904	87.7188.04	0G8756	Panzerschlauch 1/1 0.6 m	Armored hose L600 G1/2"		
905	87.7188.06	*	Panzerschlauch 1/1 1.1m	Armored hose L1100 G1/2"		
906	87.7195	0G8719	Dichtung 24x17x2 AFM34	Flat sealing 24x17x2 AFM34		
907	86.7144	0G7668	Dampfschlauch ø13/ø23	Steam hose ø13/ø23		
908	12.9827	0G2823	Bride Schlauch	Hose clamp		
909	87.5168	0G6646	Adapter zu WFA	Adapter for WFA G1/2"		
910	87.2429	0G8524	Dichtung D18x11x2 AFM34	Flat sealing D18x11x2 AFM34		
911	87.7193	0G9121	"Anschlussverschraubung 3/4"-1/2"	Connection screw fitting 3/4"-1/2"		
912	1 701 2827	0G6842	Hutfilter 1/2-50/20 H12	Filter insert 1/2-50/50 H12		
913	87.9106	0G6658	Kabel COP20CAN-WFA Flowmeter	Cable connection COP20CAN-WFA Flowmeter		
914	87.9020.01	*	Kabel COP20-WW Ventil 3300MM	Cable connection COP20-WW Ventil 3300MM		
915	87.9019.01	*	Kabel COP20-KW Ventil 3300MM	Cable connection COP20-KW Ventil 3300MM		
916	1 116 1233	0G8474	"Muffennippel reduziert 3/4"-1/2"	Socketed pipe nipple reduced 3/4"-1/2"		
917	87.7227	0G9122	Schwenkarm Klarco 350	Swiveling arm		
918	87.2430	0G8648	Gewindekappe 1/2	Threaded cap 1/2"		
919	1 116 1222	0G8889	"Muffennippel reduziert 1/2-3/8"	Socketed pipe nipple reduced 1/2"-3/8"		
920	86.1086	0G6844	Kugelhan mini A3/8 - 13/8	Ball valve mini 3/8"		
921	87.7151	0G8523	"Kegelrückschlagventil ø8/3/8"	Check valve 3/8"		
922	86.7123	0G5969	Spray Gun Schlauch 1/4 SG	Spray Gun Hose		
--	87.7089	OTTX97	Dichtband für rohr-gewinde	Sealing tape for pipe threads		

