

DE	PPEN-E	DRUCKKOCHKESSEL, ELEKTRISCH, ECKIG
EN	PPEN-E	

Page	Baugruppe	Assembly group	Models
2	Verschaltung	Casing	PPEN-E
4	Schalterfront Steuerung	Switch panel control system	PPEN-E
6	Entlüftung	Dearation	PPEN-E
8	Heizung	Heating	PPEN-E
10	Druckdeckel	Pressure lid	PPEN-E
13	Auslaufhahn	Drain tap	PPEN-E
14	Deckelverschluss	Lid lock	PPEN-E
16	Dampfkondensation	Steam condensation	PPEN-E
18	Mischbatterie	Mixing Tap	PPEN-E
20	Steuerung	Control system	PPEN-E
22	Füße	Feet	PPEN-E

Valid from Ser. № 6351

Last Updates

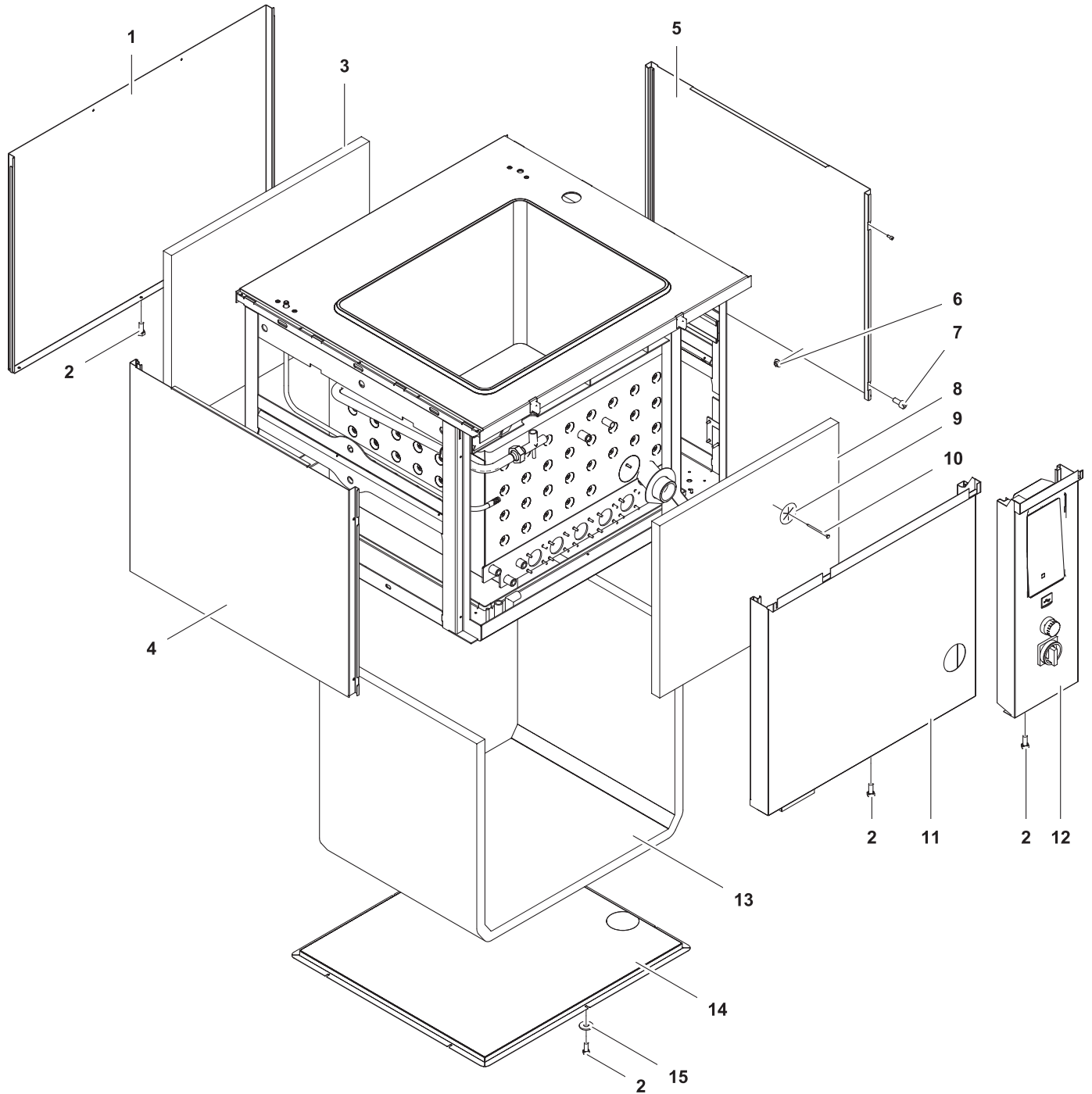
 02/2016
 08/2016
 12/2016
 02/2017
 11/2017
 11/2017
 10/2018
 01/2019

Page

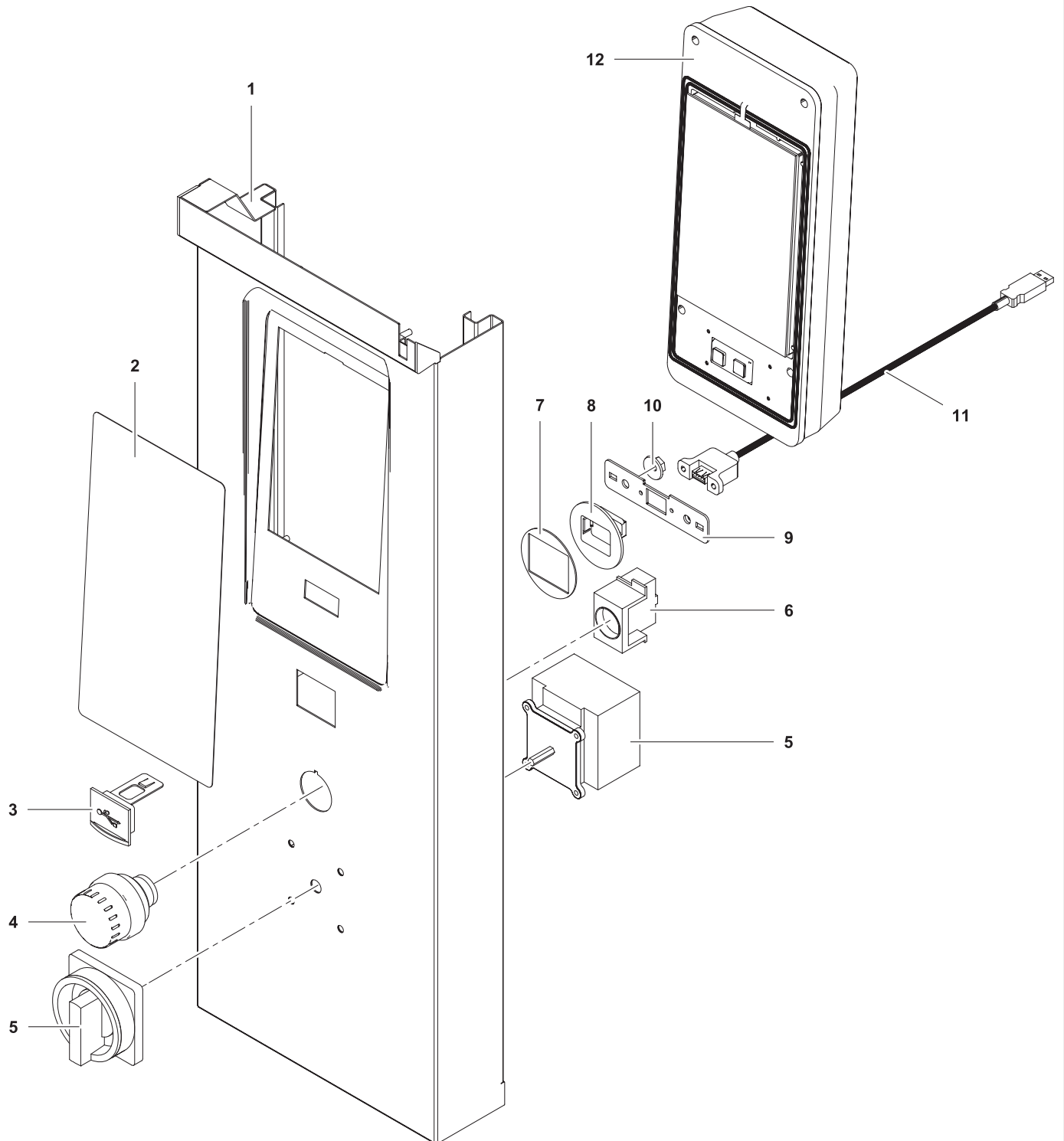
 all
 14/15
 6/7/10/11
 10/11
 21
 5
 13
 21

Pos.

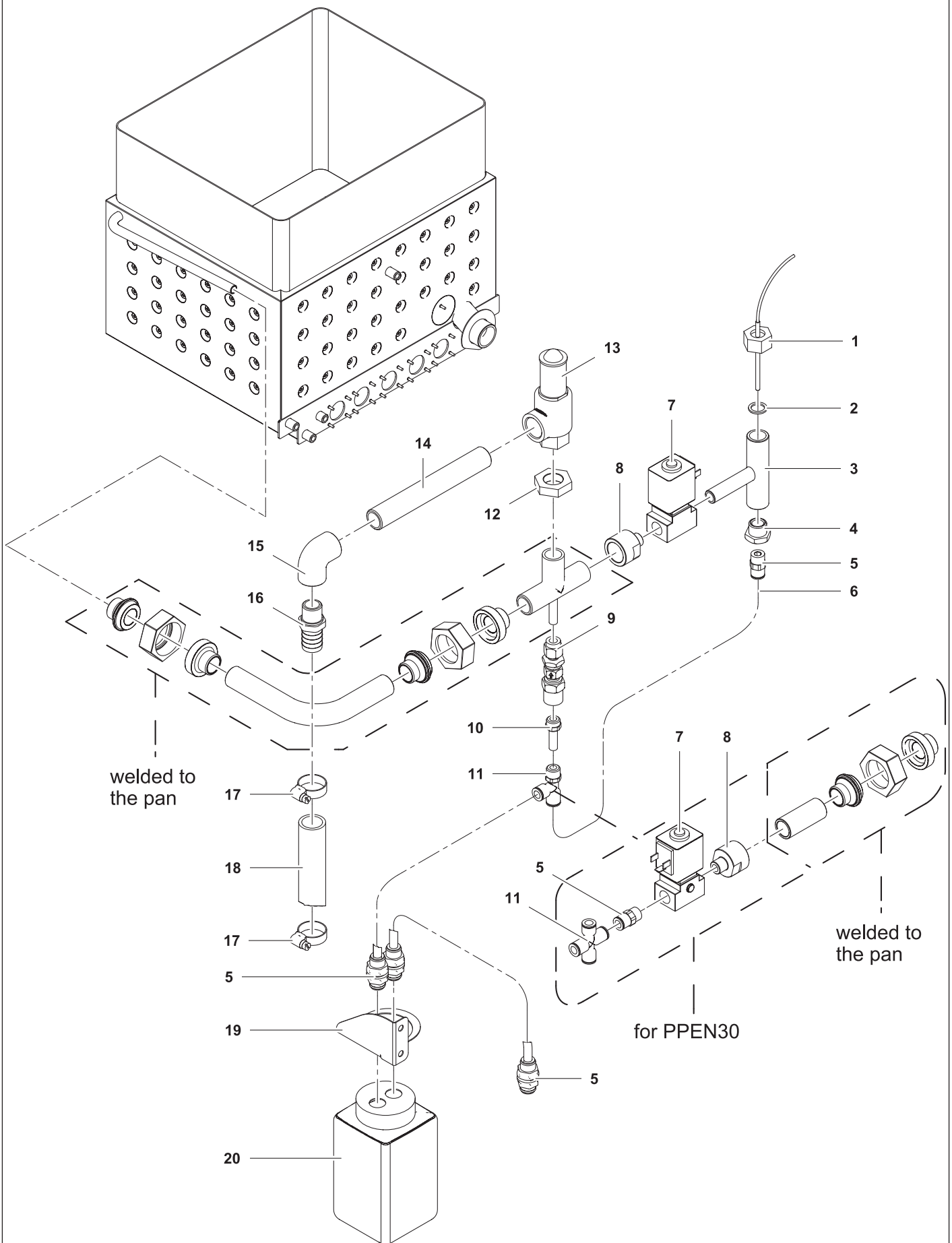
 6, 7, 8
 5
 drawing
 3, 27, 28, 29



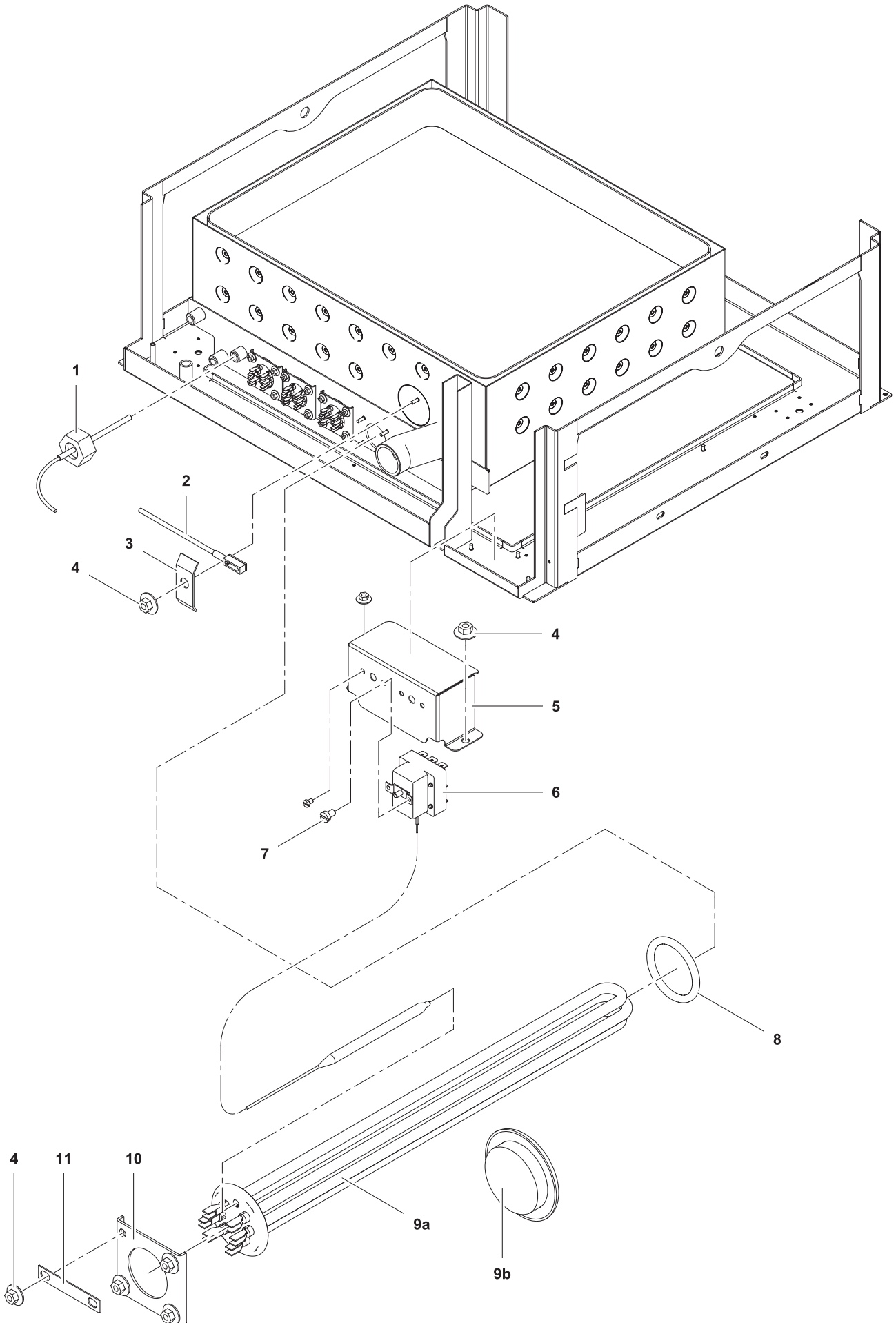
1	Alias	Code	Bezeichnung	Description	Ref.	Valid from Serial N°
1	86.2788.04	*	Rückpanel PPEN20 B1000 / H700	Rearpanel PPEN20 W1000 / H700		
	86.2788.05	*	Rückpanel PPEN30 B1400 / H700	Rearpanel PPEN30 W1400 / H700		
	86.2788.10	*	Rückpanel PPEN20 B1000 / H800	Rearpanel PPEN20 W1000 / H800		
	86.2788.11	*	Rückpanel PPEN30 B1400 / H800	Rearpanel PPEN30 W1400 / H800		
2	1 701 2509	OK4598	Schraube 6kt M5 x 12	Hexscrew M5 x 12		
3	87.2116.02	*	Isolation Rücken 200L	Insulation Back 200L	PPEN20	
	87.2116.03	*	Isolation Rücken 300L	Insulation Back 300L	PPEN30	
4	86.2787.02	*	Seitenwand links H700 / T900	Sidepanel left H700 / D900		
	86.2787.04	*	Seitenwand links H700 / T850	Sidepanel left H700 / D850		
	86.2787.08	*	Seitenwand links H800 / T900	Sidepanel left H700 / D900		
5	86.2787.01	*	Seitenwand rechts H700 / T900	Sidepanel right H700 / D900		
	86.2787.03	*	Seitenwand rechts H700 / T850	Sidepanel right H700 / D850		
	86.2787.07	*	Seitenwand rechts H800 / T900	Sidepanel right H700 / D900		
6	712 044 120.05	OG3998	Kepsmutter M5	Keps nut M5		
7	1 101 8123	OG3849	Schraube I-6kt M5x12	Socket screw M5x12		
8	87.2115.02	*	Isolation Front 200L	Insulation Front 200L	PPEN20	
	87.2115.03	*	Isolation Front 300L	Insulation Front 300L	PPEN30	
9	1 201 1961	OG4127	Isolationsclip	Insulation clip		
10	1 201 1959	OG6987	Isolationsnagel	Insulation nail		
11	86.2749.10	*	Frontpanel PPEN20 H700	Frontpanel PPEN20 H700	PPEN20	
	86.2749.11	*	Frontpanel PPEN30 H700	Frontpanel PPEN30 H700	PPEN30	
	86.2749.23	*	Frontpanel PPEN20 H800	Frontpanel PPEN20 H800	PPEN20	
	86.2749.24	*	Frontpanel PPEN30 H800	Frontpanel PPEN30 H800	PPEN30	
12	87.1028.01	*	Steuerfront H700	Control panel H700	all H700	
	87.1028.02	*	Steuerfront H800	Control panel H800	all H800	
13	87.2114.02	*	Isolation Boden 200L	Insulation bottom 200L	PPEN20	
	87.2114.03	*	Isolation Boden 300L	Insulation bottom 300L	PPEN30	
14	86.2759.04	*	Bodenblech PPEN20 T900	Bottom plate PPEN20 D900		
	86.2759.05	*	Bodenblech PPEN30 T900	Bottom plate PPEN20 D900		
	86.2759.10	*	Bodenblech PPEN20 T850	Bottom plate PPEN20 D850		
	86.2759.11	*	Bodenblech PPEN30 T850	Bottom plate PPEN30 D850		
15	1 701 3545	OKI298	U-Scheibe 6.4x18x1.6	Washer 6.4x18x1.6		

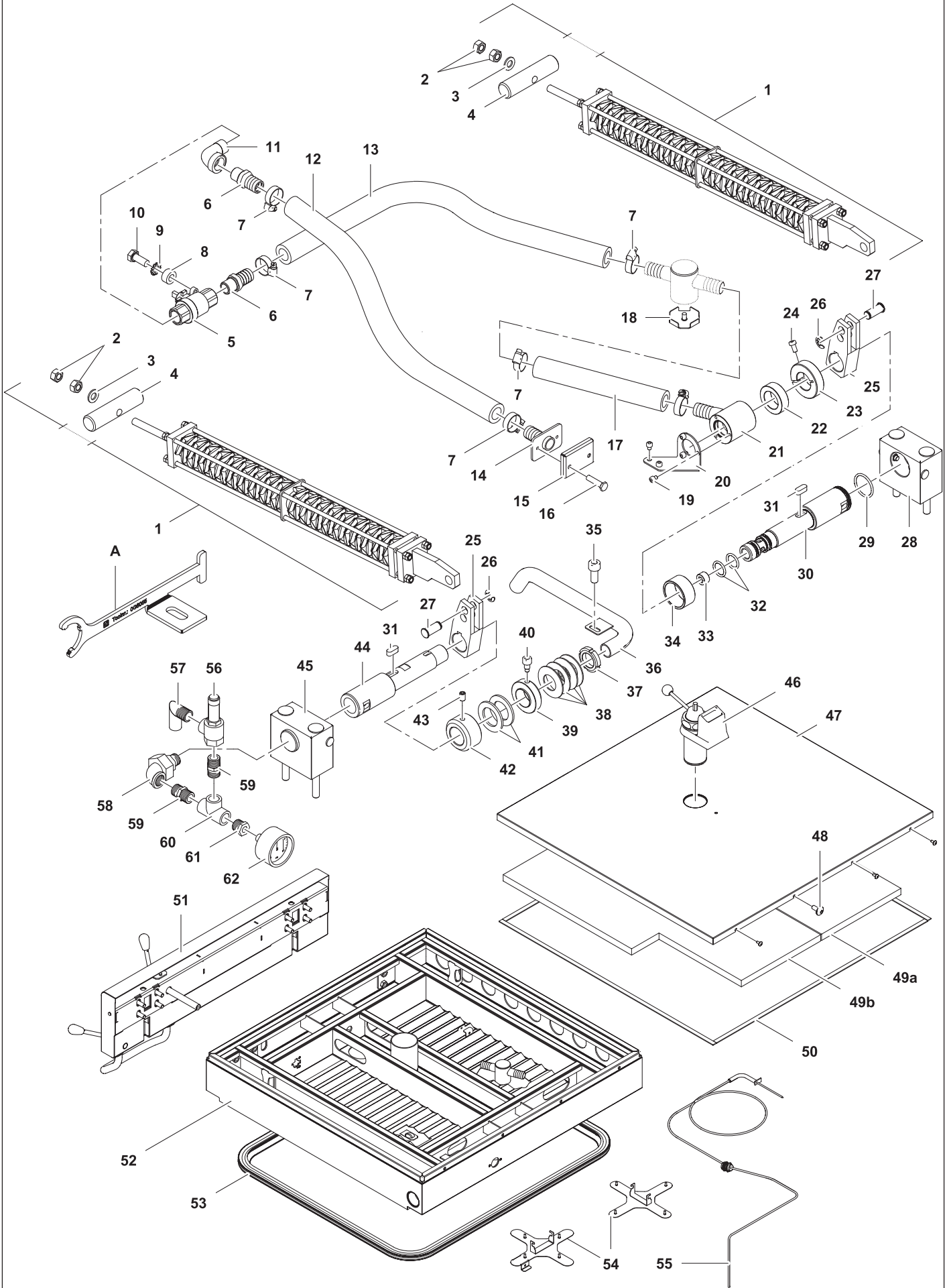


2	Alias	Code	Bezeichnung	Description	Ref.	Valid from Serial N°
1	86.2791.01	*	Steuerfront	Control panel	all H700	
	86.2791.02	0G6663	Steuerfront	Control panel	all H800	
	86.2791.03	*	Steuerfront mit Not-Aus	Control panel with emergency stop	all H700	
	86.2791.04	*	Steuerfront mit Not-Aus	Control panel with emergency stop	all H800	
	86.2791.05	*	Steuerfront mit Hauptschalter	Control panel with main switch	all H700	
	86.2791.06	*	Steuerfront mit Hauptschalter	Control panel with main switch	all H800	
	86.2791.07	*	Steuerfront mit Not-Aus & Hauptschalter	Control panel with emergency stop & main switch	all H700	
	86.2791.08	*	Steuerfront mit Not-Aus & Hauptschalter	Control panel with emergency stop & main switch	all H800	
2	871008	0G6081	Folie Steuerfront	Foil control panel		
3	879004	0C6546	Abdeckkappe zu USB	USB cover		
4	769075.03	0KX129	Notausschalter	Emergency stop button		
5	769164.02	0K4979	Hauptschalter 63A	Main switch 63A	PPEN20/30	
	769149.08	0T6273	Kabel 5x10mm ² L=1400	Cable 5x10mm ² L=1400	PPEN20/30	until 7441...
	879216.03	0G8071	Kabel 5x10mm ²	Cable 5x10mm ²	PPEN20/30	7451...
6	769108.02	0K5160	Kontaktgeber Notaus	Terminal emergency stop		
7	879005	0G7687	Dichtung zu USB	USB sealing		
8	879003	0C6547	Halter zu USB	USB support		
9	879023	0C6874	Blech zu USB	USB fixation sheet		
10	712 044 120.04	0G4918	Kepsmutter M4	Keps nut M4		
11	879030	0C6566	Kabel COPUI40-USB	Cable COPUI40-USB		
12	879043	0G6990	Steuerung komplett	User Interface assembled		



3	Alias	Code	Bezeichnung	Description	Ref.	Valid from Serial N°
1	879148.02	OG5913	TC Sensor grün	TC Sensor green		
2	87.7063	OG7394	Kupferdichtung 13x18x1.5	Copper gasket 13x18x1.5		
3	87.2157.02		T-Stück für Fühler	Tee swivel for sensor		
4	1 701 2829		Reduziernippel 3/8" - 1/4"	Reducing nipple 3/8" - 1/4"		
5	1 701 1557	OG5641	Einschraubanschluss	Screw in connection		
6	1 701 1560	OG5642	Kunststoffschlauch	Plastic tube		
7	76.3035	OK5341	Magnetventil	Solenoid valve		
	76.4935	OK4978	Stecker Magnetventil	Socket solenoid valve		
	879017	OG5921	Kabel: COP20 - Entlüftung	Cable: COP20 - Dearation		
	879098		Kabel: COP20 - Doppelentlüftung	Cable: COP20 - Double dearation	PPEN30	
8	1 116 1228	OG7312	Reduziernippel 1/2" - 1/4"	Reduction nipple 1/2" - 1/4"		
9	87.7073	OG6745	Rückschlagventil mit Filter	Check valve with filter		
10	1 701 1564	OG7000	Einschraubsteckstutzen	Screw in noozle		
11	1 701 1558	OG5640	Einschraubanschluss	Screw in connection	PPEN20	
	1 701 1563	OG6460	Kreuz-Einschraubanschluss	Cross screw in connection	PPEN30	
12	1 102 2471		Sechskantmutter R-217 G1/2"	Hexnut R-217 G1/2"		
13	86.2424	OG5631	Sicherheitsventil	Safety valve		
14	87.3003		Doppelnippel 1/2" x 150	Doublenipple 1/2" x 150		
15	1 116 1140	OG5185	Winkel 90° 1/2"	Elbow 90° 1/2"		
16	1 116 1212	OG7249	Schlauchnippel 1/2"-20	Hose nipple 1/2"-20		
17	1 103 1170	OK4550	Schlauchklemme D25-35	Hose clamp D25-35		
18	1 115 1417	OK5830	Silikonschlauch	Silicon tube		
19	86.2734	OG6500	Kondensatorhalter	Condenser support		
20	86.2226	OG5105	Weithaltflasche	Wide neck bottle		



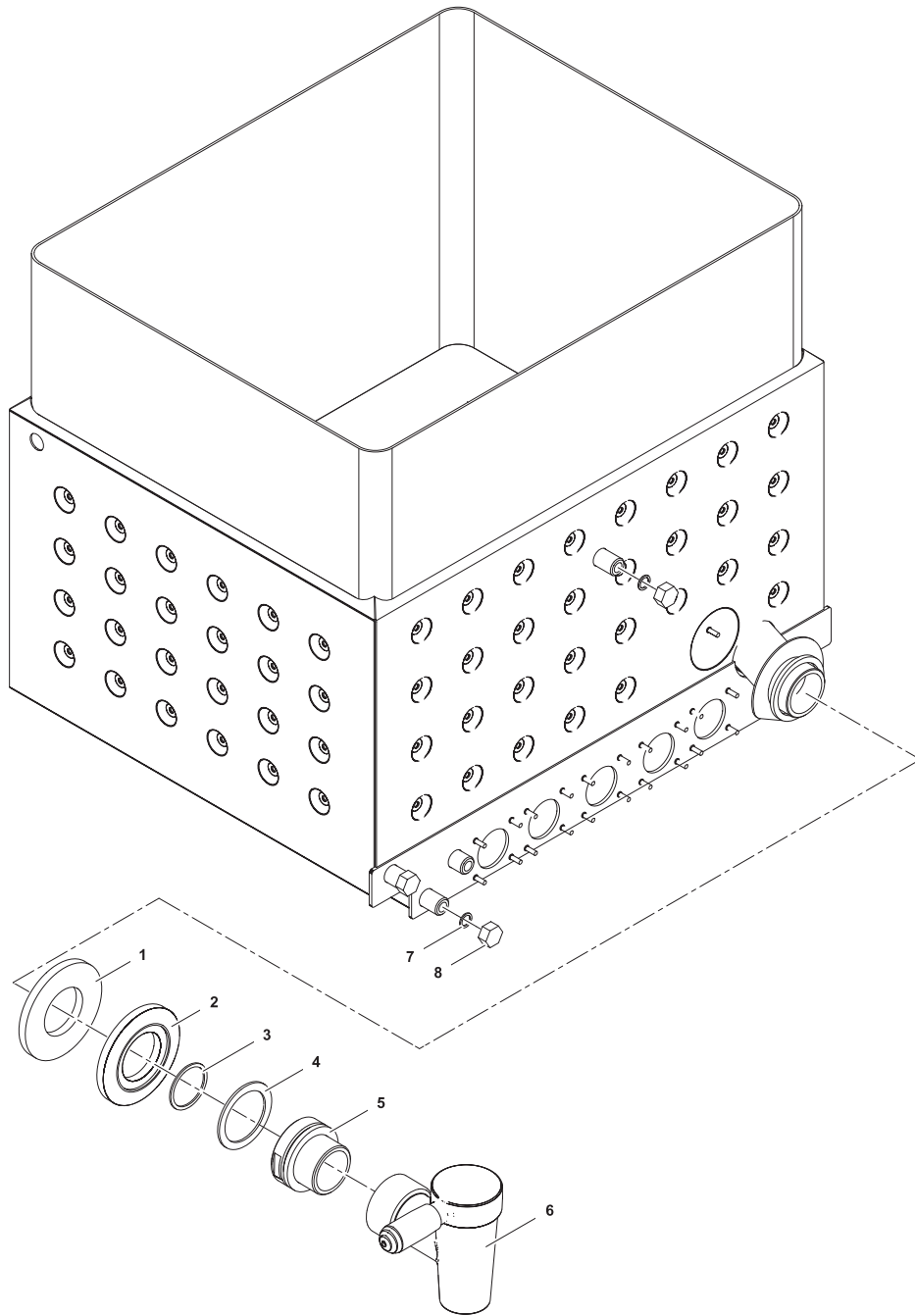


5	Alias	Code	Bezeichnung	Description	Ref.	Valid from Serial N°
A	87.0047	OG6055	SV-und Bremseinstellschlüssel	Slotted nut wrench		
1	76.3328	OG3937	Federpaket ohne Pos. 3 und 4	Spring kit without Pos. 3 and 4	PPEN20	
	87.5210_KD	OG6432	Federpaket ohne Pos. 3 und 4	Spring kit without Pos. 3 and 4	PPEN30	
2	1 701 3027	0T1781	Mutter M10	Nut M10		
3	1 701 3542	OG7245	Unterlegscheibe M10	Washer M10		
4	86.5354	OG7246	Gelenkwelle	Joint shaft		
5	86.5409	OG7247	Kugelhahn 1/2" Kohler R-621	Ball valve 1/2" Kohler R-621		
6	1 116 1212	OG7249	Schlauchnippel R-144 1/2"-20mm	Hose nipple R-144 1/2"-20mm		
7	1 103 1170	0K4550	Schlauchklemme Gr. 1	Hose clamp		
8	1 701 1142	OG7250	Distanzhülse	Spacer		
9	1 701 7002	OG2923	Fächerscheibe M5	Fan washer M5		
10	1 701 2509	0K4598	Schraube 6kt M5x12	Hex bolt M5x12		
11	1 101 2162	OG6161	Einschraubwinkel 1/2"	L connector 1/2"		
12	1 701 1140.04	OG7251	Dampfschlauch L=635mm	Steam hose L=635mm		
13	1 701 1140.03	OG7253	Dampfschlauch L=560mm	Steam hose L=560mm	PPEN20	
	1 701 1140.05		Dampfschlauch L=940mm	Steam hose L=940mm	PPEN30	
14	86.5416	OG7255	Stutzen	T-joint with hose nipple		
15	86.5417	OG7256	Ableitkappe	Derivation cover		
16	75.5006.01	OG5143	Schraube 6kt M5x20 USPH	Hex bolt M5x20 USPH		
17	1 701 1140.01	OG6811	Dampfschlauch L=205mm	Steam hose L=205mm		
18	86.5332	OG6431	Schikane	Baffle		
19	1 101 8199	OG7257	Zylinderschraube I-6kt M5x6	Allen screw M5x6		
20	86.5352	OG7258	Supportplatte Dampfkupplung	Support steam coupling		
21	86.5349	OG7259	Dampfkupplung	Steam coupling		
22	86.5351	OG7260	Unterlage links	Support layer left		
23	1 201 2187	OG7261	Geschlitzter Stellring	Adjustment ring		
24	1 101 8161	OG5812	Schraube I-6kt M6x12	Allen screw M6x12		
25	86.5364	OG6291	Federhebel	Spring support		
26	1 701 2775	OG6243	Sicherungsscheibe Ø10-14	Locking wash Ø10-14		
27	76.3264	OG7262	Lagerbolzen	Bearing pin		
28	87.5070	*	Lagerklotz links	Bearing support left		
29	1 201 2191	OG6731	O-Ring Ø32x3	O-ring Ø32x3		
30	86.5360	OG7263	Lagerwelle links	Bearing shaft left		
31	1 701 7099	OG5985	Passfeder 8x7x20 Typ A	Feather key 8x7x20 Type A		
32	1 201 2193	OG7264	O-Ring Ø19x3	O-ring Ø19x3		
33	1 101 3903	OG7265	Verschlusschraube SO 40371-3/8"	Locking screw SO 40371-3/8"		
34	86.5350	OG7266	Unterlage rechts	Support layer right		
35	1 101 8123	OG3849	Schraube I-6kt M5x12	Allen screw M5x12		
36	86.5451	OG7267	Rohr für Sensorkabel	Pipe for sensor cable		
37	1 701 1133	OG6290	Nutmutter M25x1.5	Slotted nut M25x1.5		
38	1 201 2104	OG6289	Tellerfeder	Belleville spring		
39	86.5347	OG6288	Unterlage rechts - Reibbelagring	Support layer right - Friction disc		
40	86.5368	OG6292	Schraube I-6kt M8x16 bearbeitet	Allen screw M8x16 reworked		
41	1 701 2772	OG6286	Reibbelagring	Friction disc		
42	86.5346	OG6287	Unterlage links - Reibbelagring	Support layer left - Friction disc		
43	1 701 7094	OG4248	Gewindestift I-6kt M8x12	Allen set screw M8x12		
44	86.5361	OG7268	Lagerwelle rechts	Bearing shaft right		
45	87.5074	*	Lagerklotz rechts	Bearing support right		
46	86.5150	OG5442	Deckelventil	Lid valve		
47	86.5373.01		Verschaltung Druckdeckel oben	Cover pressure lid	PPEN20	
	86.5373.02	OG6022	Verschaltung Druckdeckel oben	Cover pressure lid	PPEN30	
48	1 701 1143	OG6901	Linsenkopfschraube M5x12	Fillister head screw M5x12		
49a	87.5104.02	OG7270	Isolation	Insulation	PPEN30	
49b	87.5104.01	OG7269	Isolation	Insulation		
50	1 701 7550	OG4894	Dichtband	Sealing strip		
51	86.5401.01		Deckelverschluss	Lid lock	PPEN20	
	86.5401.02		Deckelverschluss	Lid lock	PPEN30	
52	86.5376.01		Chassis	Chassis	PPEN20	
	86.5376.02		Chassis	Chassis	PPEN30	

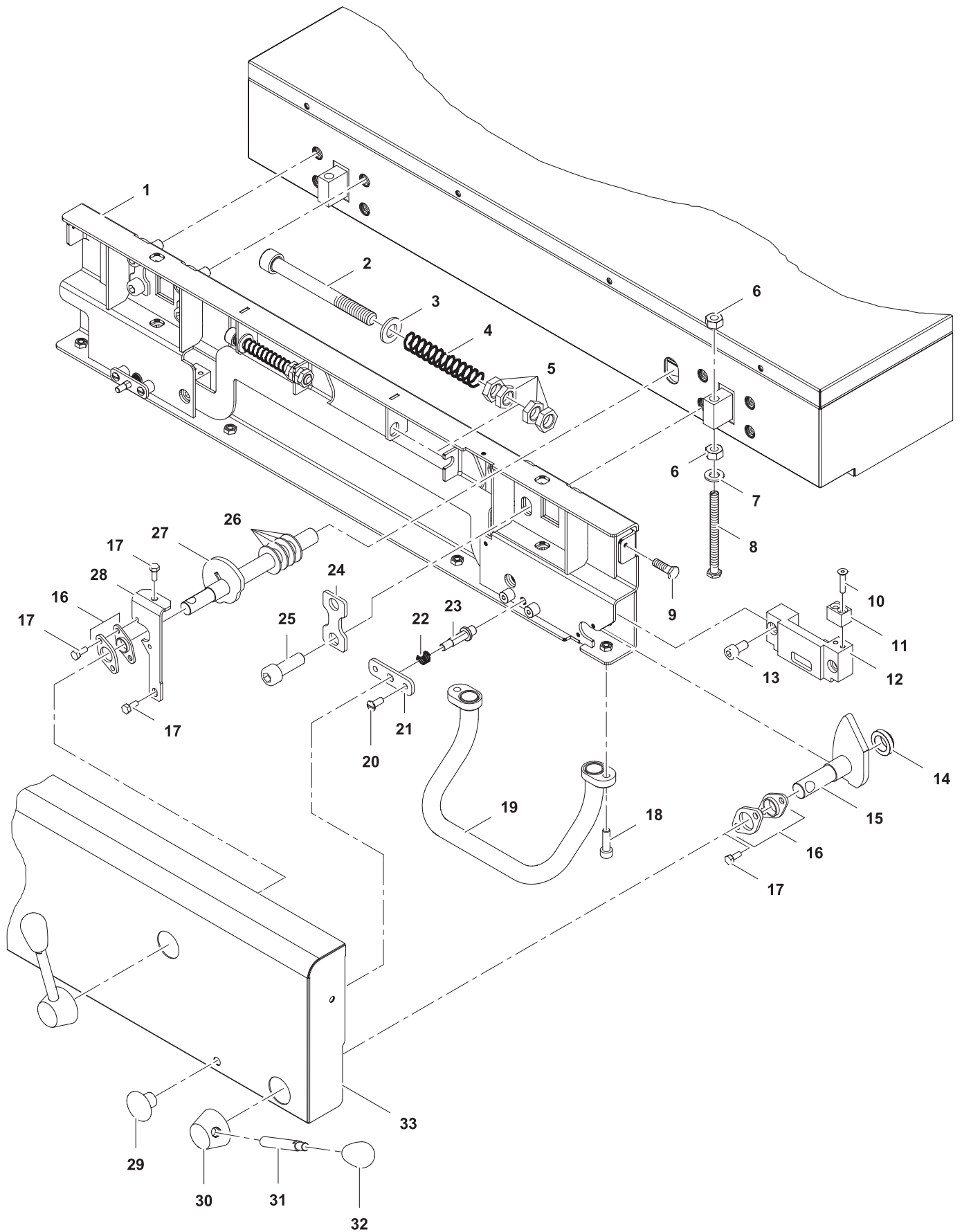
* Components on demand
* Teile auf Anfrage

Doc. № 599A2BK00 / 87.8070.02

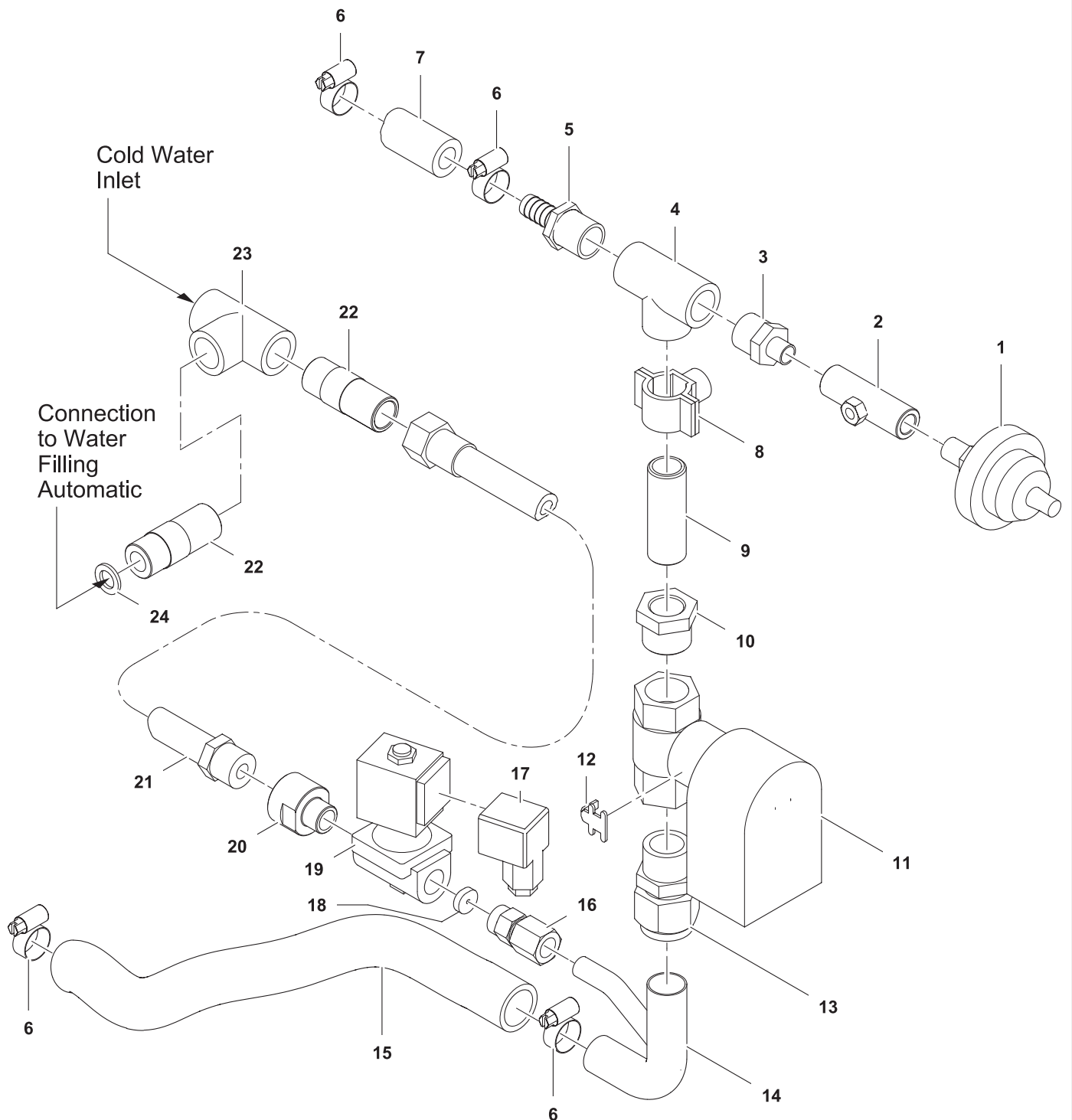
Page: 11



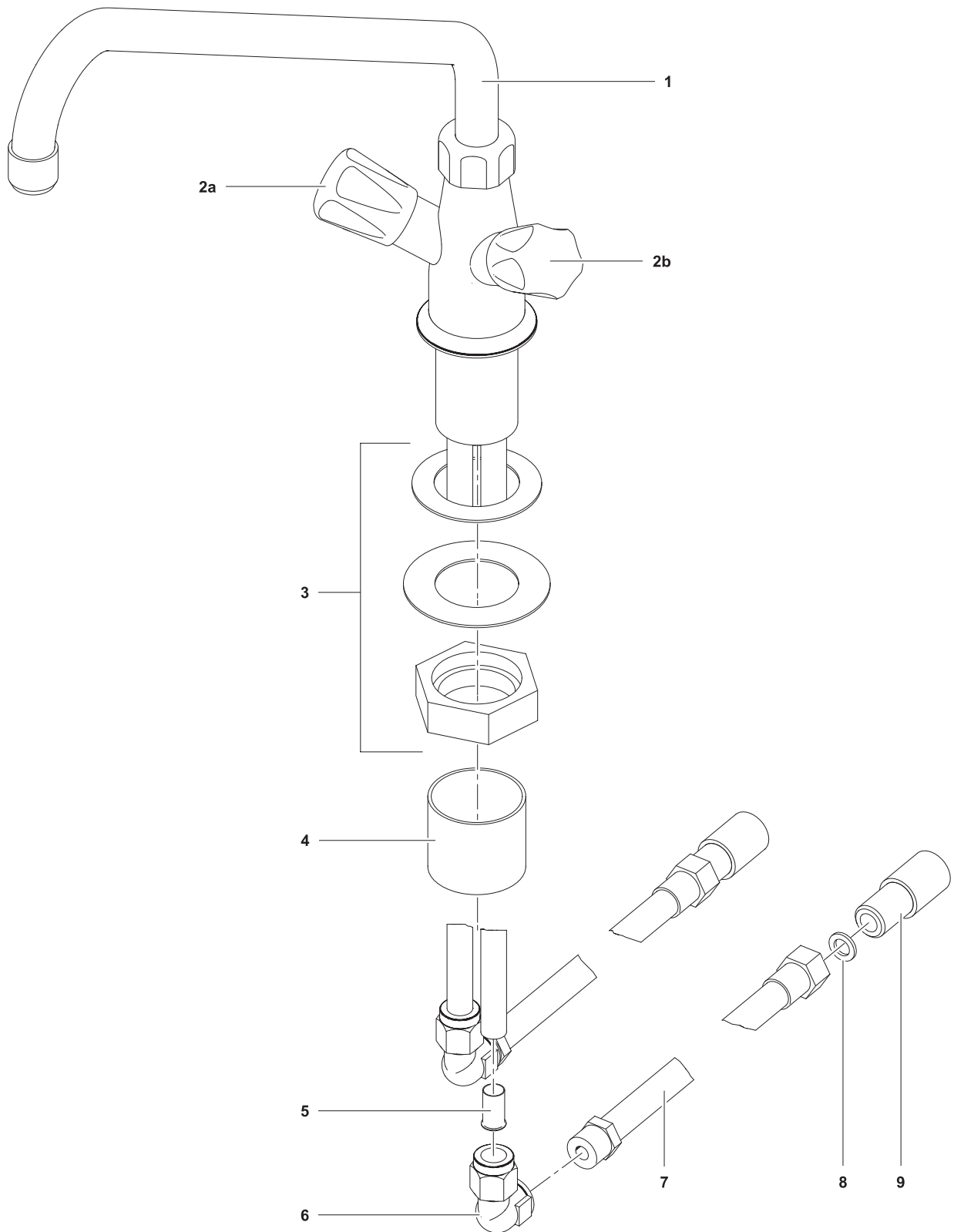
6	Alias	Code	Bezeichnung	Description	Ref.	Valid from Serial N°
1	1 117 1289	0G5644	Dichtung zu Rosette	Gasket to rosette		
2	1 117 1262	0A2149	Rosette	Rosette		
3	76.624	0G5164	Dichtung Ø49xØ57x2	Gasket Ø49xØ57x2		
4	87.0132	0G7796	Distanzscheibe	Spacer washer		
5	76.6241	0G5165	Übergangsstück	Adapter piece		
6	87.7055	0G6498	Entleerhahn 2"	Drain tap 2"		
7	712 044481.21	0G3610	Flachdichtung Ø18/11	Flat gasket Ø18/11		
8	712 344853.09	0KX151	Gewindekappe G1/2"	Threaded cap G1/2"		

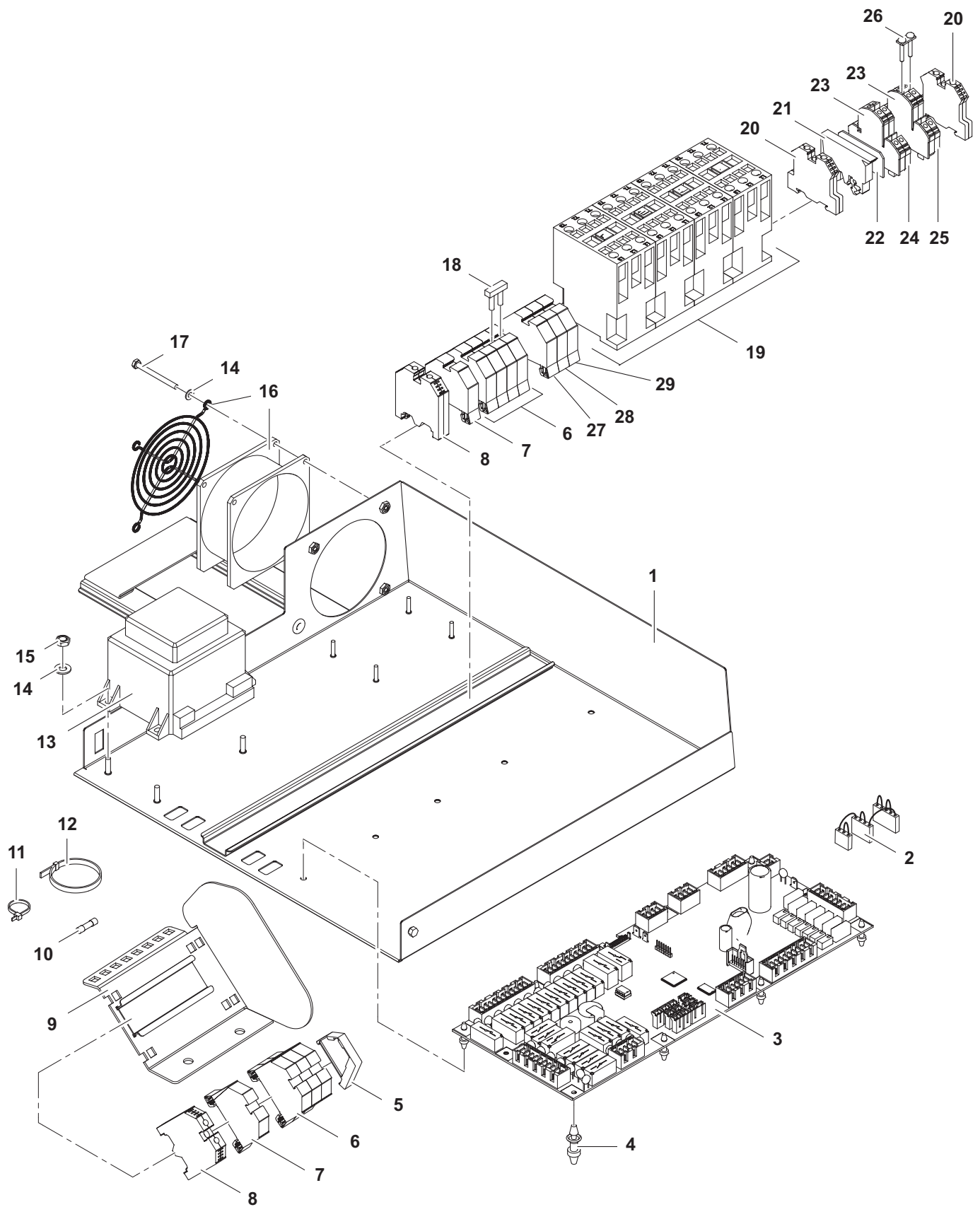


7	Alias	Code	Bezeichnung	Description	Ref.	Valid from Serial N°
1	86.5402.01	*	Support Verschluss	Support closure	PPEN20	
	86.5402.02	*	Support Verschluss	Support closure	PPEN30	
2	1 701 2086		Schraube I-6kt M10x100	Allen screw M10x100		
3	1 701 3516	0T5917	U-Scheibe Ø10.5xØ20x2	Washer Ø10.5xØ20x2		
4	86.5189	0G5431	Druckfeder	Compression spring		
5	1 701 3055		Mutter M10x0.5D	Nut M10x0.5D		
6	1 701 3044	0K4612	Mutter M8x0.8D	Nut M8x0.8D		
7	1 701 3513	0G6088	U-Scheibe Ø8.4xØ17x1.6	Washer Ø8.4xØ17x1.6		
8	87.5108	0G7126	Gewindestift mit Mutter	Threaded pit with nut		
9	75.5006.06	0G5515	Schraube 6kt M5x16 USPH	Hex bolt M5x16 USPH		
10	1 701 1072	0G6833	Senkschraube M5x25	Countersunk screw M5x25		
11	86.5187	0G5429	Bronze-Klotz	Bronze-block		
12	87.5042		Riegel	Locking		
13	1 701 2083	0G5437	Schraube I-6kt M8x16	Allen screw M8x16		
14	86.5389	0G6387	Gleitlager-Schliesser	Sliding bearing		
15	86.5168	0G6637	Schliesser	Lid locking		
16	86.5172	0G5317	Lager - Schliesser	Bearing for locking		
17	1 701 2507	0G4653	Schraube 6kt M5x10	Hex bolt M5x10		
18	1 101 8040	0K4493	Schraube I-6kt M6x20	Allen screw M6x20		
19	86.5093	0G5443	Bügelgriff	Handle		
20	10 3179	0G4216	Flachkopfschraube M5x12	Flat head screw M5x12		
21	86.5190	0G5293	Lagerplatte	Bearing plate		
22	86.5192	0G6577	Druckfeder	Compression spring		
23	86.5191	0G5432	Achse	Axis		
24	86.2611	0G7384	U-Scheibe spezial	Special washer		
25	1 101 8134	0G6087	Schraube I-6kt M10x30	Allen screw M10x30		
26	74.0148	0G3733	U-Scheibe Ø16xØ30x1.5	Washer Ø16xØ30x1.5		
27	86.5411	0G6409	Welle Sicherheitsventil	Shaft safety valve		
28	86.5412	*	Gleitlagersupport	Sliding bearing support		
29	1 701 2810	0G5294	Griff L.150/30-M6	Handle L.150/30-M6		
30	86.5120	0G5297	Griffnabe	Handle hub		
31	86.5119	0G5298	Griffbolzen	Handle bolt		
32	1 701 2811	0G5299	Griff 1.222/40-M8	Handle 1.222/40-M8		
33	86.5403.01	*	Frontabdeckung Verschluss	Frontal cover closure	PPEN20	
	86.5403.02	*	Frontabdeckung Verschluss	Frontal cover closure	PPEN30	

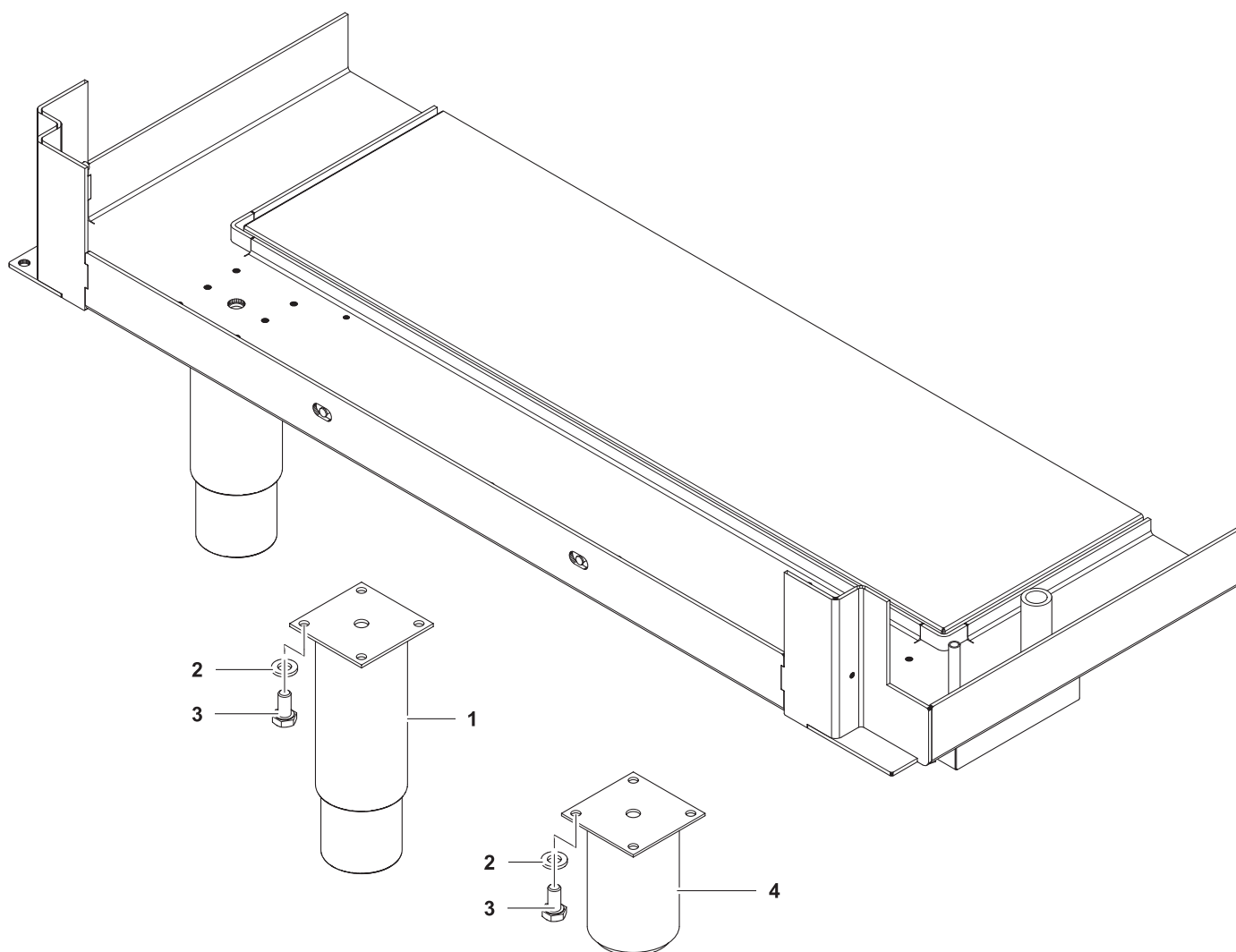


8	Alias	Code	Bezeichnung	Description	Ref.	Valid from Serial N°
1	75.1002	OK4928	Druckschalter	Pressure switch		
2	87.2129		Prüfanschluss	Testing Connection		
3	87.6003	OG7392	Reduziernippel 1/2" - 1/4"	Reducing nipple 1/2" - 1/4"		
4	1 102 2435	OG7145	T-Stück Kohler G 1/2"	Tee connector Kohler G 1/2"		
5	1 701 7558	OG7135	Schlauchnippel R 1/2"	Hose nipple R 1/2"		
6	12.9827	OG2823	Schlauchbride	Hose clamp		
7	86.7144	OG7668	Dampfschlauch	Steam hose		
8	1 201 2189		Rohrklammer Ø20-23	Pipe clamp Ø20-23		
9	1 116 1133	OG4513	Doppelnippel 1/2" R-210	Double nipple 1/2" R-210		
10	1 116 1199	OG4370	Gewindemuffe 1/2" - 3/4"	Threaded socket 1/2" - 3/4"		
11	86.7016		Kugelventil Gruner 230V	Ball valve Gruner 230V		
12	86.5047		Befestigung zu Motorventil	Fixture to motorized valve		
13	1 101 3823	OG5498	Verschraubung	Fitting		
14	86.5259.02		Kühlrohr	Cooling pipe		
15	1 117 1119	OK4573	Kühlschlauch	Cooling hose		
16	1 101 2148	OG5499	Gerade Verschraubung	Straight fitting		
17	76.4935	OK4978	Stecker Magnetventil	Plug magnet valve		
18	86.5211	OG5502	Blende Kühlwasser	Nozzle cooling water		
19	76.3048	OK5342	Magnetventil	Magnet valve		
20	1 116 1222		Muffennippel reduziert 1/2" - 3/8"	Reducing coupling nipple 1/2" - 3/8"		
21	712 344893.01	OKW734	Panzerschlauch LI700 G1/2" / R1/2"	Reinforced hose LI700 G1/2" / R1/2"		
22	87.5169		Adapter zu WFA	Adapter to WFA		
23	1 102 2435	OG7145	T-Stück Kohler G1/2"	Tee connector Kohler G1/2"		
24	712 044481.21	OG3610	Flachdichtung Ø18xØ11x2	Flat gasket Ø18xØ11x2		
	879040	OG5940	Kabel: COP20 - Dampfvernichtung	Cable: COP20 - Steam condensation		
	879016	OG5941	Kabel: COP20 - Druckschalter	Cable: COP20 - Pressure switch		





10	Alias	Code	Bezeichnung	Description	Ref.	Valid from Serial N°
1	879012	*	Steuerträger PxEN	Support frame PxEN		
2	87919	0G6638	Jumper Core Temp	Jumper Core Temp		
3	879015	0G5908	Motherboard COP20	Motherboard COP20		until 9051...
	879241	0G8492	Motherboard COP70	Motherboard COP70		9061...
4	75.5000.04	0T2600	Distanzhalter	Spacer		
5	75.2013	0KX290	Arretierstück	Fixation		
6	75.2010.40	0K1280	Reihen клемме 16mm ² beige	Terminal block 16mm ² beige		
	75.2010.50	0G8035	Reihen клемме 35mm ² beige	Terminal block 35mm ² beige	PPEN20-40	7411...
7	75.2010.41	0G3488	Nullleiter клемме 16mm ² blau	Neutral wire terminal 16mm ² blue		
	75.2010.51	0G8036	Nullleiter клемме 35mm ² blau	Neutral wire terminal 35mm ² blue	PPEN20-40	7411...
8	75.2011.03	0KX291	Schutzleiter клемме 16mm ²	Ground conductor terminal 16mm ²		
	75.2011.04	0G8037	Schutzleiter клемме 35mm ²	Ground conductor terminal 35mm ²	PPEN20-40	7411...
9	87.0014	*	Klemmenträger	Terminal support		
10	712 344362.01	0G5814	Sicherung 5x20 1A	Fuse 5x20 1A		
11	1 115 1235		Kabelbinder schwarz	Cable tie black		
12	1 115 1391		Kabelbinder weiss	Cable tie white		
13	87.9036	0G5910	Transformator PMA	Transformer PMA		
14	1 701 3502	0G3595	U-Scheibe Ø4.3x9x0.8	Washer Ø4.3x9x0.8		
15	1 701 3004	0K4606	Mutter M4	Nut M4		
16	86.9055	0G5805	Ventilator 208-240V	Ventilator 208-240V		
		*	Fingerschutzgitter	Finger guard		
17	1 701 2636		Schraube 6kt M4x45	Hex screw M4x45		
18	75.2010.44	0KT731	Querverbinder	Cross connection		
19	1 115 1758	0G4646	SCHUETZ K3-24X022	Contacteur K3-24X022		
20	75.2011.01	0KT730	Schutzleiter клемме 4mm ²	Ground conductor terminal 4mm ²		
21	75.2012.01	0K5155	Sicherungsklemme	Fuse holder terminal		
22	75.2012.02	0T2599	Abschlusswand zu Sicherungsklemme	Cover to fuse holder terminal		
23	75.2010.12	0T2598	Abschlusswand	Cover		
24	75.2010.10	0KT734	Reihen клемме 4mm ² grau	Terminal block 4mm ² grey		
25	75.2010.11	0KT733	Nullleiter клемме 4mm ² blau	Neutral wire terminal 4mm ² blue		
26	75.2010.14	0G5735	Querverbinder	Cross connection		
27	75.2010.20	0G7080	Reihen клемме grau	Terminal block grey		9061...
28	75.2010.21	0G3489	Nullleiter клемме blau	Neutral wire terminal blue		9061...
29	75.2011.01	0KT730	Schutzleiter клемме G/G	Ground conductor terminal G/G		9061...
	1 115 1783	0G6228	Filter FN2060	Filter FN2060		9061...
	76.9117.03		T-Litze Haupterd draht	T-Litz wire earthing		
	87.9006	0G5922	Kabel: COP20 - Schützen STB	Cable: COP20 - Conductors STB		
	87.9037	0G5923	Kabel: N - Trafo - P	Cable: N - Transformator - P		
	87.9039	0G5925	Kabel: Klemmen - Schützen	Cable: Terminal - conductor		
	87.9095		Kabel: COP20 - Ventilator	Cable: COP20 - Ventilator		



11	Alias	Code	Bezeichnung	Description	Ref.	Valid from Serial N°
1	86.0001	0G5391	Stellfuss 2" H200	Adjustable foot 2" H200	H700	
2	1 701 4003	0G3659	U-Scheibe Ø6.4x12x1.6	Washer Ø6.4x12x1.6		
3	1 701 2600	0KT919	Schraube 6kt M6x12	Hex screw M6x12		
4	86.2385	0G6140	Stellfuss 2" H100	Adjustable foot 2" H100	H800	