

PROTHERMETIC

DE
EN

PPEN-E
PPEN-E

DRUCKKOCHKESSEL, ELEKTRISCH, ECKIG
PRESSURE BOILING PAN, ELECTRIC, RECTANGLE

Page	Baugruppe	Assembly group	Models
2	Verschalung	Casing	PPEN-E
4	Schalterfront Steuerung	Switch panel control system	PPEN-E
6	Entlüftung	Dearation	PPEN-E
8	Heizung	Heating	PPEN-E
10	Druckdeckel	Pressure lid	PPEN-E
13	Auslaufhahn	Drain tap	PPEN-E
14	Deckelverschluss	Lid lock	PPEN-E
16	Dampfkondensation	Steam condensation	PPEN-E
18	Mischbatterie	Mixing Tap	PPEN-E
20	Steuerung	Control system	PPEN-E
22	Wasser Füll Automat	Automatic Water Filling	PPEN-E
24	Füsse	Feet	PPEN-E

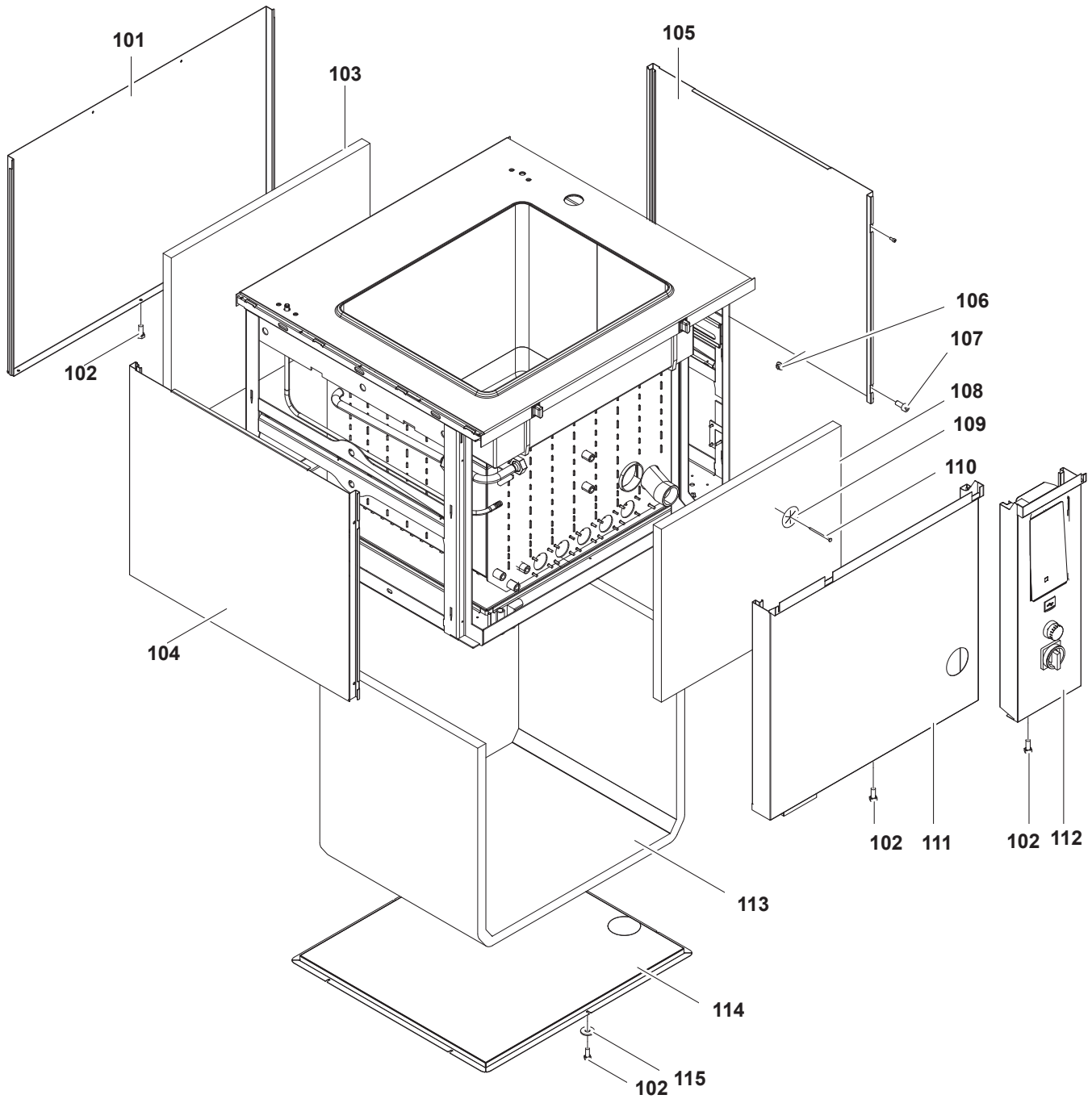
Valid from Ser. № 6351

Last Updates

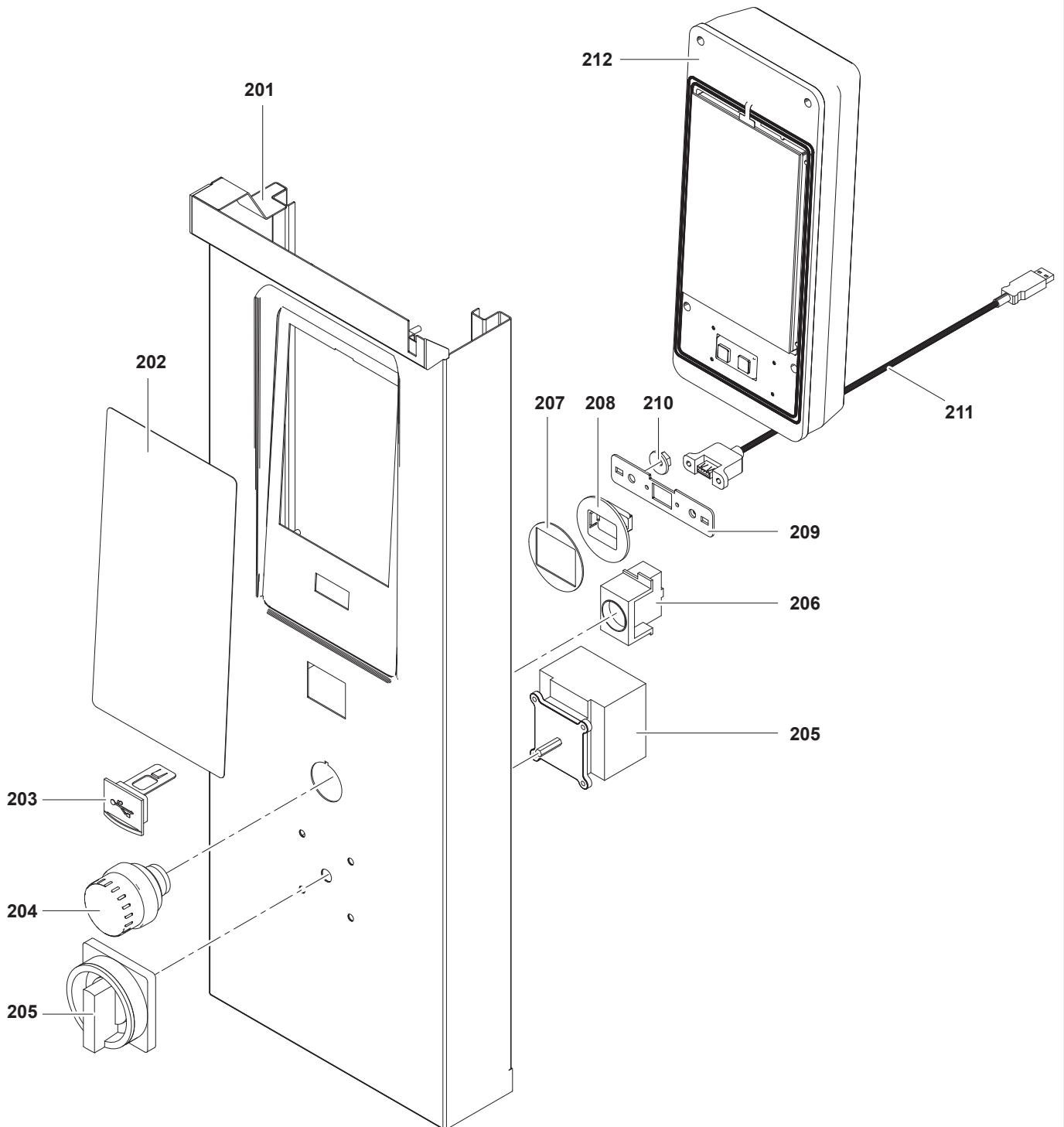
Page

Pos.

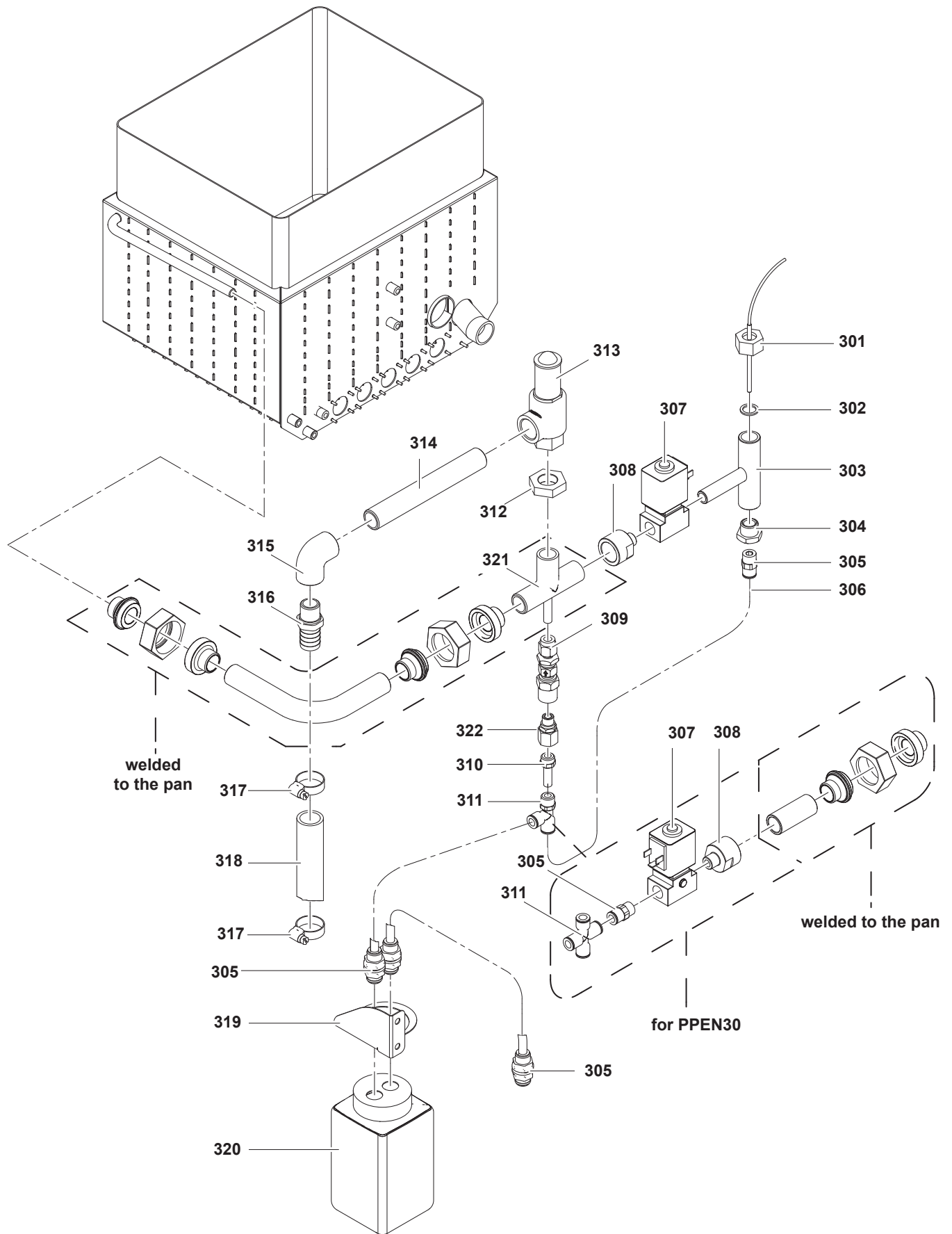
02/2016	all	
08/2016	14/15	
12/2016	6/7/10/11	
02/2017	10/11	
11/2017	21	6, 7, 8
11/2017	5	5
10/2018	13	drawing
01/2019	21	3, 27, 28, 29
02/2019	11	52
03/2019	12	55
06/2019	5	12
07/2019	12	63
10/2019	7	2, 11, 21, 22
11/2019	17 / 19	21 / 7
04/2021	21	3
07/2023	22 / 23	Added WFA



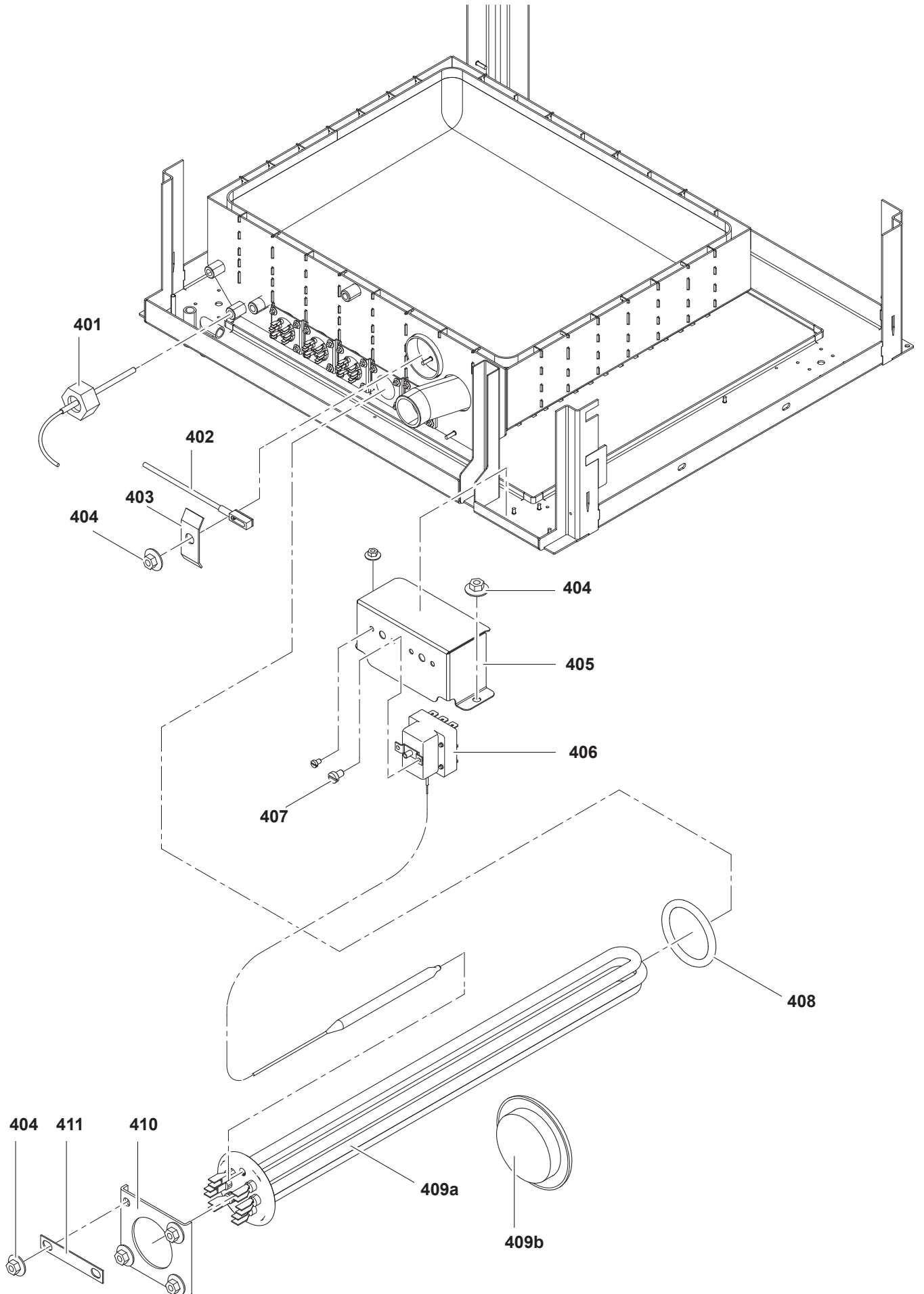
1	Alias	Code	Bezeichnung	Description	Ref.	Valid from Serial N°
101	86.2788.04	*	Rückpanel PPEN20 B1000 / H700	Rearpanel PPEN20 W1000 / H700		
101	86.2788.05	*	Rückpanel PPEN30 B1400 / H700	Rearpanel PPEN30 W1400 / H700		
101	86.2788.10	*	Rückpanel PPEN20 B1000 / H800	Rearpanel PPEN20 W1000 / H800		
101	86.2788.11	*	Rückpanel PPEN30 B1400 / H800	Rearpanel PPEN30 W1400 / H800		
102	1 701 2509	OK4598	Schraube 6kt M5 x 12	Hexscrew M5 x 12		
103	87.2116.02	*	Isolation Rücken 200L	Insulation Back 200L	PPEN20	
103	87.2116.03	*	Isolation Rücken 300L	Insulation Back 300L	PPEN30	
104	86.2787.02	*	Seitenwand links H700 / T900	Sidepanel left H700 / D900		
104	86.2787.04	*	Seitenwand links H700 / T850	Sidepanel left H700 / D850		
104	86.2787.08	*	Seitenwand links H800 / T900	Sidepanel left H700 / D900		
105	86.2787.01	*	Seitenwand rechts H700 / T900	Sidepanel right H700 / D900		
105	86.2787.03	*	Seitenwand rechts H700 / T850	Sidepanel right H700 / D850		
105	86.2787.07	*	Seitenwand rechts H800 / T900	Sidepanel right H700 / D900		
106	712 044 120.05	OG3998	Kepsmutter M5	Keps nut M5		
107	1 101 8123	OG3849	Schraube I-6kt M5x12	Socket screw M5x12		
108	87.2115.02	*	Isolation Front 200L	Insulation Front 200L	PPEN20	
108	87.2115.03	*	Isolation Front 300L	Insulation Front 300L	PPEN30	
109	1 201 1961	OG4127	Isolationsclip	Insulation clip		
110	1 201 1959	OG6987	Isolationsnagel	Insulation nail		
111	86.2749.10	*	Frontpanel PPEN20 H700	Frontpanel PPEN20 H700	PPEN20	
111	86.2749.11	*	Frontpanel PPEN30 H700	Frontpanel PPEN30 H700	PPEN30	
111	86.2749.23	*	Frontpanel PPEN20 H800	Frontpanel PPEN20 H800	PPEN20	
111	86.2749.24	*	Frontpanel PPEN30 H800	Frontpanel PPEN30 H800	PPEN30	
112	87.1028.01	*	Steuerfront H700	Control panel H700	all H700	
112	87.1028.02	*	Steuerfront H800	Control panel H800	all H800	
113	87.2114.02	*	Isolation Boden 200L	Insulation bottom 200L	PPEN20	
113	87.2114.03	*	Isolation Boden 300L	Insulation bottom 300L	PPEN30	
114	86.2759.04	*	Bodenblech PPEN20 T900	Bottom plate PPEN20 D900		
114	86.2759.05	*	Bodenblech PPEN30 T900	Bottom plate PPEN20 D900		
114	86.2759.10	*	Bodenblech PPEN20 T850	Bottom plate PPEN20 D850		
114	86.2759.11	*	Bodenblech PPEN30 T850	Bottom plate PPEN30 D850		
115	1 701 3545	OKI298	U-Scheibe 6.4x18x1.6	Washer 6.4x18x1.6		



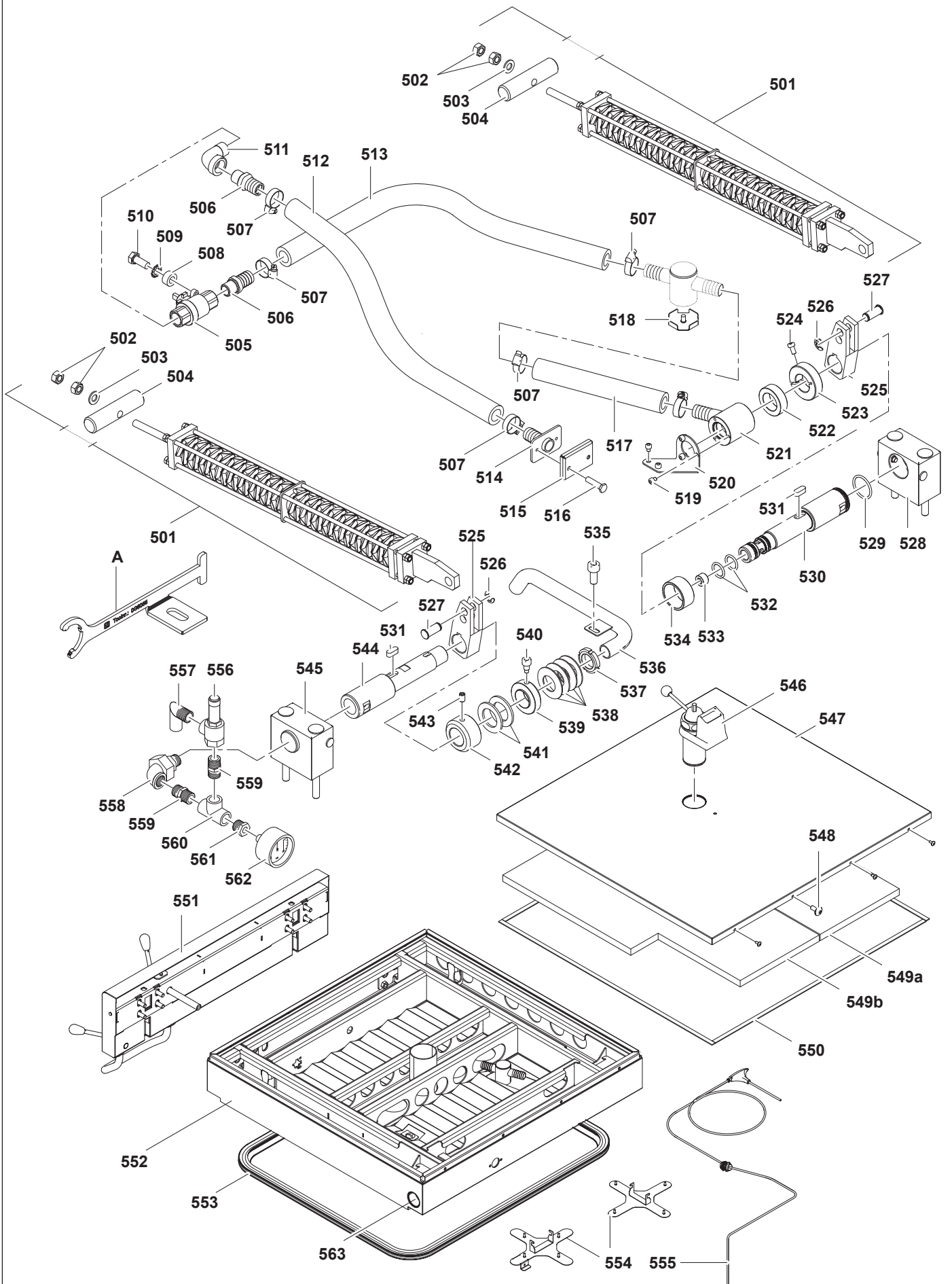
2	Alias	Code	Bezeichnung	Description	Ref.	Valid from Serial N°
201	86.2791.01	*	Steuerfront	Control panel	all H700	
201	86.2791.02	OG6663	Steuerfront	Control panel	all H800	
201	86.2791.03	*	Steuerfront mit Not-Aus	Control panel with emergency stop	all H700	
201	86.2791.04	*	Steuerfront mit Not-Aus	Control panel with emergency stop	all H800	
201	86.2791.05	*	Steuerfront mit Hauptschalter	Control panel with main switch	all H700	
201	86.2791.06	*	Steuerfront mit Hauptschalter	Control panel with main switch	all H800	
201	86.2791.07	*	Steuerfront mit Not-Aus & Hauptschalter	Control panel with emergency stop & main switch	all H700	
201	86.2791.08	*	Steuerfront mit Not-Aus & Hauptschalter	Control panel with emergency stop & main switch	all H800	
202	87.1008	OG6081	Folie Steuerfront	Foil control panel		
203	87.9004	OC6546	Abdeckkappe zu USB	USB cover		
204	76.9075.03	OKX129	Notausschalter	Emergency stop button		
205	76.9164.02	OK4979	Hauptschalter 63A	Main switch 63A	PPEN20/30	
205	76.9149.08	OT6273	Kabel 5x10mm ² L=1400	Cable 5x10mm ² L=1400	PPEN20/30	until 7441...
205	87.9216.03	OG8071	Kabel 5x10mm ²	Cable 5x10mm ²	PPEN20/30	7451...
206	76.9108.02	OK5160	Kontaktgeber Notaus	Terminal emergency stop		
207	87.9005	OG7687	Dichtung zu USB	USB sealing		
208	87.9003	OC6547	Halter zu USB	USB support		
209	87.9023	OC6874	Blech zu USB	USB fixation sheet		
210	712 044 120.04	OG4918	Kepsmutter M4	Keps nut M4		
211	87.9030	OC6566	Kabel COPUI40-USB	Cable COPUI40-USB		
212	87.9043	OG6990	Steuerung komplett	User Interface assembled		until 9171...
212	87.9242	OG8585	Steuerung komplett COPUI70	User Interface COPUI70 assembled		9181...



3	Alias	Code	Bezeichnung	Description	Ref.	Valid from Serial N°
301	879148.02	OG5913	TC Sensor grün	TC Sensor green		
302	87.7063	OG7394	Kupferdichtung 13x18x1.5	Copper gasket 13x18x1.5		until 9051...
302	87.2429	OG8524	Dichtung 18x11x2 AFM34	Gasket 18x11x2 AFM34		9061...
303	87.2157.02		T-Stück für Fühler	Tee swivel for sensor		
304	1 701 2829		Reduziernippel 3/8" - 1/4"	Reducing nipple 3/8" - 1/4"		
305	1 701 1557	OG5641	Einschraubanschluss	Screw in connection		
306	1 701 1560	OG5642	Kunststoffschlauch	Plastic tube		
307	76.3035	OK5341	Magnetventil	Solenoid valve		
307	76.4935	OK4978	Stecker Magnetventil	Socket solenoid valve		
307	87.9017	OG5921	Kabel: COP20 - Entlüftung	Cable: COP20 - Dearation		
307	87.9098		Kabel: COP20 - Doppelentlüftung	Cable: COP20 - Double dearation	PPEN30	
308	1 116 1228	OG7312	Reduziernippel 1/2" - 1/4"	Reduction nipple 1/2" - 1/4"		
309	87.7073	OG6745	Rückschlagventil mit Filter	Check valve with filter		
310	1 701 1564	OG7000	Einschraubsteckstutzen	Screw in nozzle		
311	1 701 1558	OG5640	Einschraubanschluss	Screw in connection	PPEN20	
311	1 701 1563	OG6460	Kreuz-Einschraubanschluss	Cross screw in connection	PPEN30	
312	1 102 2471		Sechskantmutter R-217 G1/2"	Hexnut R-217 G1/2"		
313	86.2424	OG5631	Sicherheitsventil	Safety valve		
314	87.3003		Doppelrippel 1/2" x 150	Double nipple 1/2" x 150		
315	1 116 1140	OG5185	Winkel 90° 1/2"	Elbow 90° 1/2"		
316	1 116 1212	OG7249	Schlauchrippel 1/2"-20	Hose nipple 1/2"-20		
317	1 103 1170	OK4550	Schlauchklemme D25-35	Hose clamp D25-35		
318	1 115 1417	OK5830	Silikonschlauch	Silicon tube		
319	86.2734	OG6500	Kondensatorhalter	Condenser support		
320	86.2226	OG5105	Weithaltflasche	Wide neck bottle		
321	87.3042.02	OG8565	Entlüftungsadapter	Dearation adapter		until 9401...
321	87.3042.02	OG8769	Entlüftungsadapter	Dearation adapter		9411...
322	87.2430	OG8648	Gewindekappe G1/2"	Threaded Cap G1/2"		9411...



4	Alias	Code	Bezeichnung	Description	Ref.	Valid from Serial N°
401	87.9148.01	0G5912	TC Sensor grün	TC Sensor green		
402	87.9147.01		TC Sensor Food gelb	TC Sensor Food yellow		
403	76.4191	0G3087	Halter Kochgutfühler	Food Sensor support		
404	712 044 120.05	0G3998	Kepsmutter M5	Kepsnut M5		
405	87.2103		STB-Halterung	STB-Support		
406	76.3033	OK5143	Sicherheitstemperaturbegrenzer (STB)	Safety temperature limiter (STB)		
407	1 701 2077	0G4174	Zylinderschraube M4x6	Allen screw M4x6		
408	718 042198	0G7398	Dichtungsring	Sealing ring		
409a	76.3028.03	OK4733	Heizung 4.500 KW 230V	Heating 4.500 KW 230V		
409a	76.3028.04	OK4734	Heizung 4.500 KW 230V	Heating 4.500 KW 230V		
409a	76.3029.03	OK4735	Heizung 6.000 KW 230V	Heating 6.000 KW 230V		
409a	76.3029.04	OK4736	Heizung 6.000 KW 230V	Heating 6.000 KW 230V		
409b	718 042197		Blindflansch	Blank flange	PPEN30	
410	718 044192	OK4835	Spannblech Heizung	Fixation sheet heating		
411	70.0534		Fühlerhalter	Sensor support		



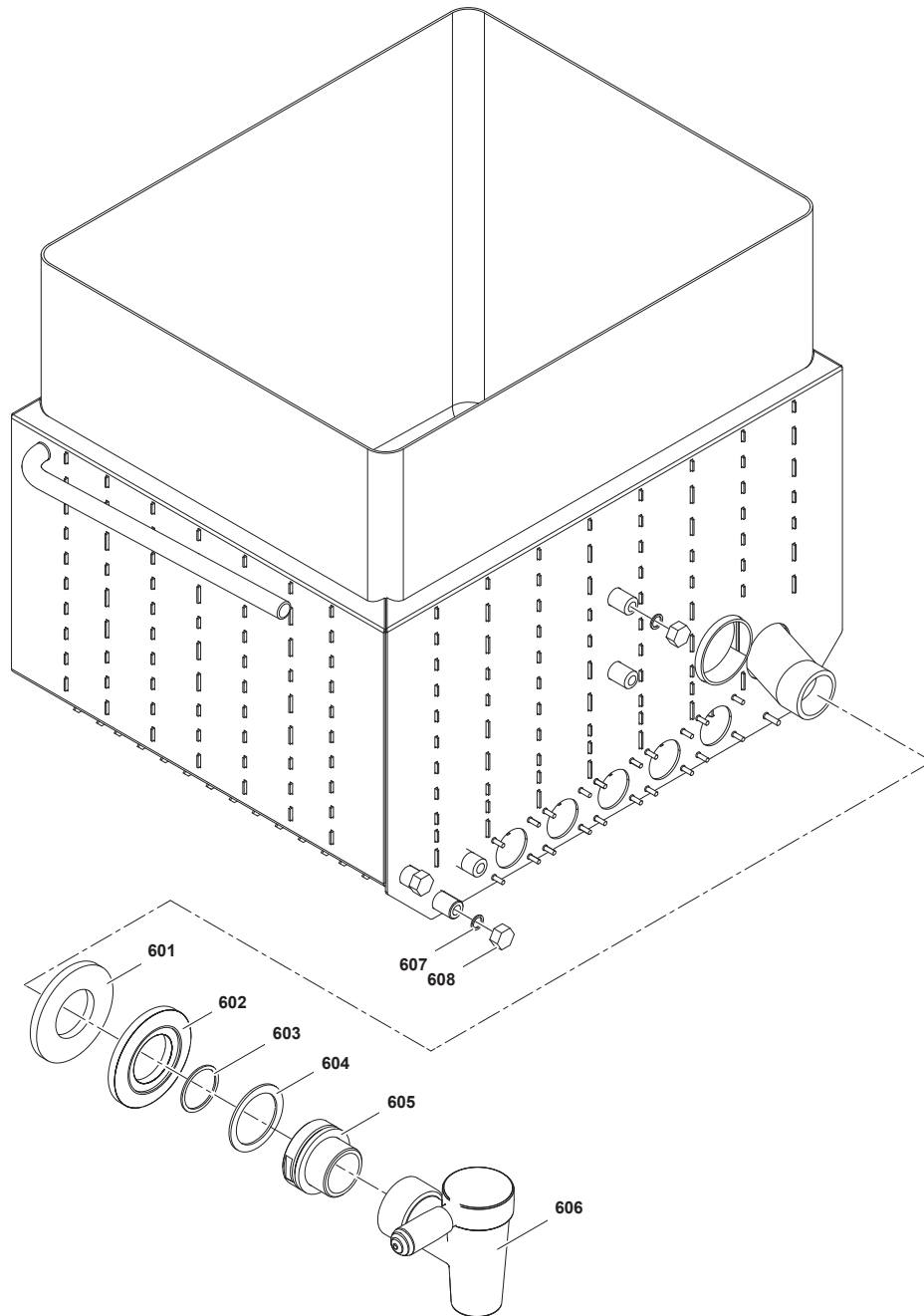
5	Alias	Code	Bezeichnung	Description	Ref.	Valid from Serial N°
A	87.0047	OG6055	SV-und Bremseinstellschlüssel	Slotted nut wrench		
501	76.3328	OG3937	Federpaket ohne Pos. 3 und 4	Spring kit without Pos. 3 and 4	PPEN20	
501	87.5210_KD	OG6432	Federpaket ohne Pos. 3 und 4	Spring kit without Pos. 3 and 4	PPEN30	
502	1 701 3027	OT1781	Mutter M10	Nut M10		
503	1 701 3542	OG7245	Unterlegscheibe M10	Washer M10		
504	86.5354	OG7246	Gelenkwelle	Joint shaft		
505	86.5409	OG7247	Kugelhahn 1/2" Kohler R-621	Ball valve 1/2" Kohler R-621		
506	1 116 1212	OG7249	Schlauchnippel R-144 1/2"-20mm	Hose nipple R-144 1/2"-20mm		
507	1 103 1170	OK4550	Schlauchklemme Gr. 1	Hose clamp		
508	1 701 1142	OG7250	Distanzhülse	Spacer		
509	1 701 7002	OG2923	Fächerscheibe M5	Fan washer M5		
510	1 701 2509	OK4598	Schraube 6kt M5x12	Hex bolt M5x12		
511	1 101 2162	OG6161	Einschraubwinkel 1/2"	L connector 1/2"		
512	1 701 1140.04	OG7251	Dampfschlauch L=635mm	Steam hose L=635mm		
513	1 701 1140.03	OG7253	Dampfschlauch L=560mm	Steam hose L=560mm	PPEN20	
513	1 701 1140.05		Dampfschlauch L=940mm	Steam hose L=940mm	PPEN30	
514	86.5416	OG7255	Stutzen	T-joint with hose nipple		
515	86.5417	OG7256	Ableitkappe	Derivation cover		
516	75.5006.01	OG5143	Schraube 6kt M5x20 USPH	Hex bolt M5x20 USPH		
517	1 701 1140.01	OG6811	Dampfschlauch L=205mm	Steam hose L=205mm		
518	86.5332	OG6431	Schikane	Baffle		
519	1 101 8199	OG7257	Zylinderschraube I-6kt M5x6	Allen screw M5x6		
520	86.5352	OG7258	Supportplatte Dampfkupplung	Support steam coupling		
521	86.5349	OG7259	Dampfkupplung	Steam coupling		
522	86.5351	OG7260	Unterlage links	Support layer left		
523	1 201 2187	OG7261	Geschlitzter Stellring	Adjustment ring		
524	1 101 8161	OG5812	Schraube I-6kt M6x12	Allen screw M6x12		
525	86.5364	OG6291	Federhebel	Spring support		
526	1 701 2775	OG6243	Sicherungsscheibe Ø10-14	Locking wash Ø10-14		
527	76.3264	OG7262	Lagerbolzen	Bearing pin		
528	87.5070	*	Lagerklotz links	Bearing support left		
529	1 201 2191	OG6731	O-Ring Ø32x3	O-ring Ø32x3		
530	86.5360	OG7263	Lagerwelle links	Bearing shaft left		
531	1 701 7099	OG5985	Passfeder 8x7x20 Typ A	Feather key 8x7x20 Type A		
532	1 201 2193	OG7264	O-Ring Ø19x3	O-ring Ø19x3		
533	1 101 3903	OG7265	Verschlusssschraube SO 40371-3/8"	Locking screw SO 40371-3/8"		
534	86.5350	OG7266	Unterlage rechts	Support layer right		
535	1 101 8123	OG3849	Schraube I-6kt M5x12	Allen screw M5x12		
536	86.5451	OG7267	Rohr für Sensorkabel	Pipe for sensor cable		
537	1 701 1133	OG6290	Nutmutter M25x1.5	Slotted nut M25x1.5		
538	1 201 2104	OG6289	Tellerfeder	Belleville spring		
539	86.5347	OG6288	Unterlage rechts - Reibbelagring	Support layer right - Friction disc		
540	86.5368	OG6292	Schraube I-6kt M8x16 bearbeitet	Allen screw M8x16 reworked		
541	1 701 2772	OG6286	Reibbelagring	Friction disc		
542	86.5346	OG6287	Unterlage links - Reibbelagring	Support layer left - Friction disc		
543	1 701 7094	OG4248	Gewindestift I-6kt M8x12	Allen set screw M8x12		
544	86.5361	OG7268	Lagerwelle rechts	Bearing shaft right		
545	87.5074	*	Lagerklotz rechts	Bearing support right		
546	86.5150	OG5442	Deckelventil	Lid valve		
547	86.5373.01		Verschaltung Druckdeckel oben	Cover pressure lid	PPEN20	
547	86.5373.02	OG6022	Verschaltung Druckdeckel oben	Cover pressure lid	PPEN30	
548	1 701 1143	OG6901	Linsenkopfschraube M5x12	Fillister head screw M5x12		
549a	87.5104.02	OG7270	Isolation	Insulation	PPEN30	
549b	87.5104.01	OG7269	Isolation	Insulation		
550	1 701 7550	OG4894	Dichtband	Sealing strip		
551	86.5401.01		Deckelverschluss	Lid lock	PPEN20	
551	86.5401.02		Deckelverschluss	Lid lock	PPEN30	
552	86.5376.01	OG8079	Chassis	Chassis	PPEN20	until 9051...
552	86.5376.02	OG8080	Chassis	Chassis	PPEN30	until 9051...

* Components on demand
* Teile auf Anfrage

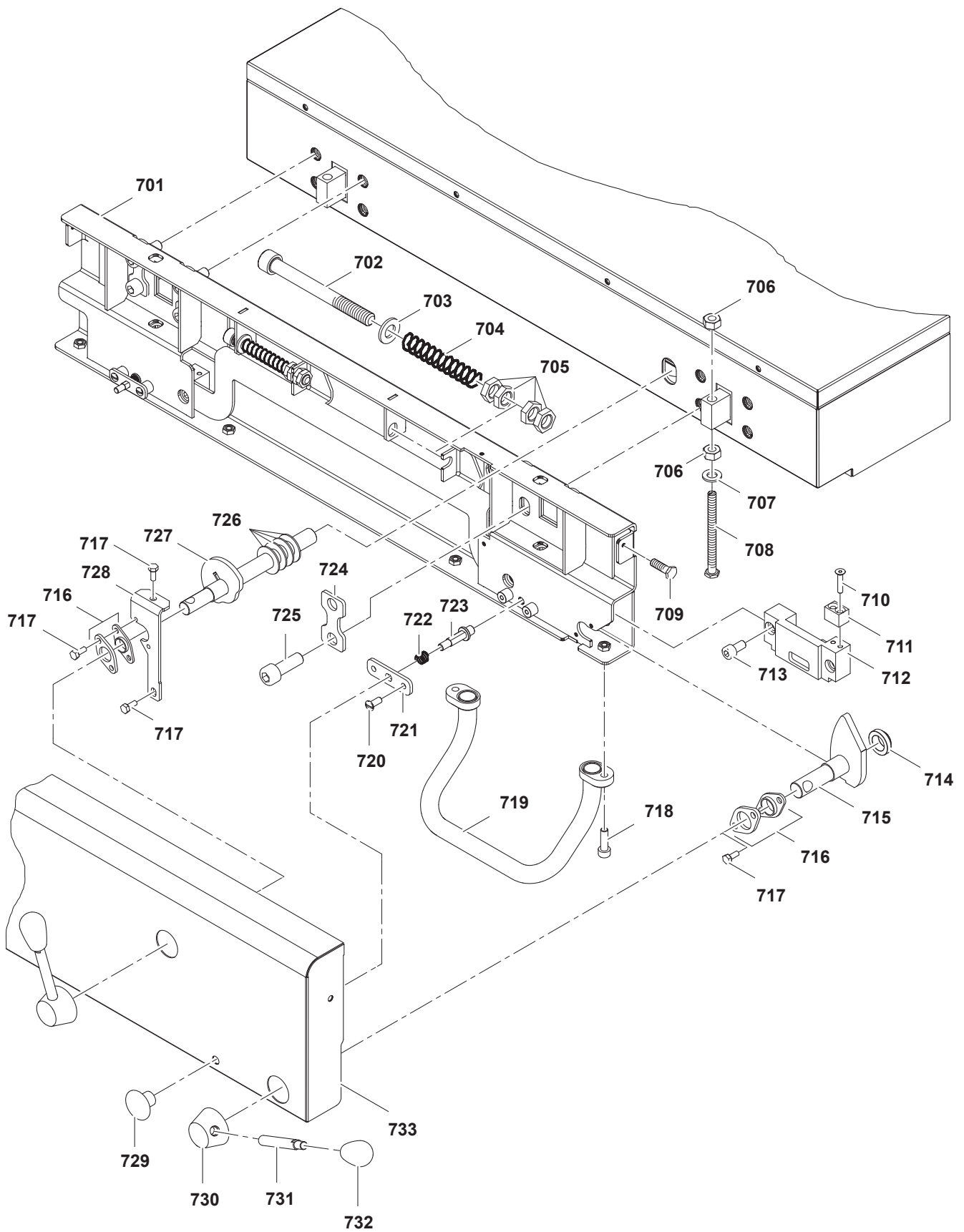
Doc. № 599A2BK00 / 87.8070.02

Page: 11

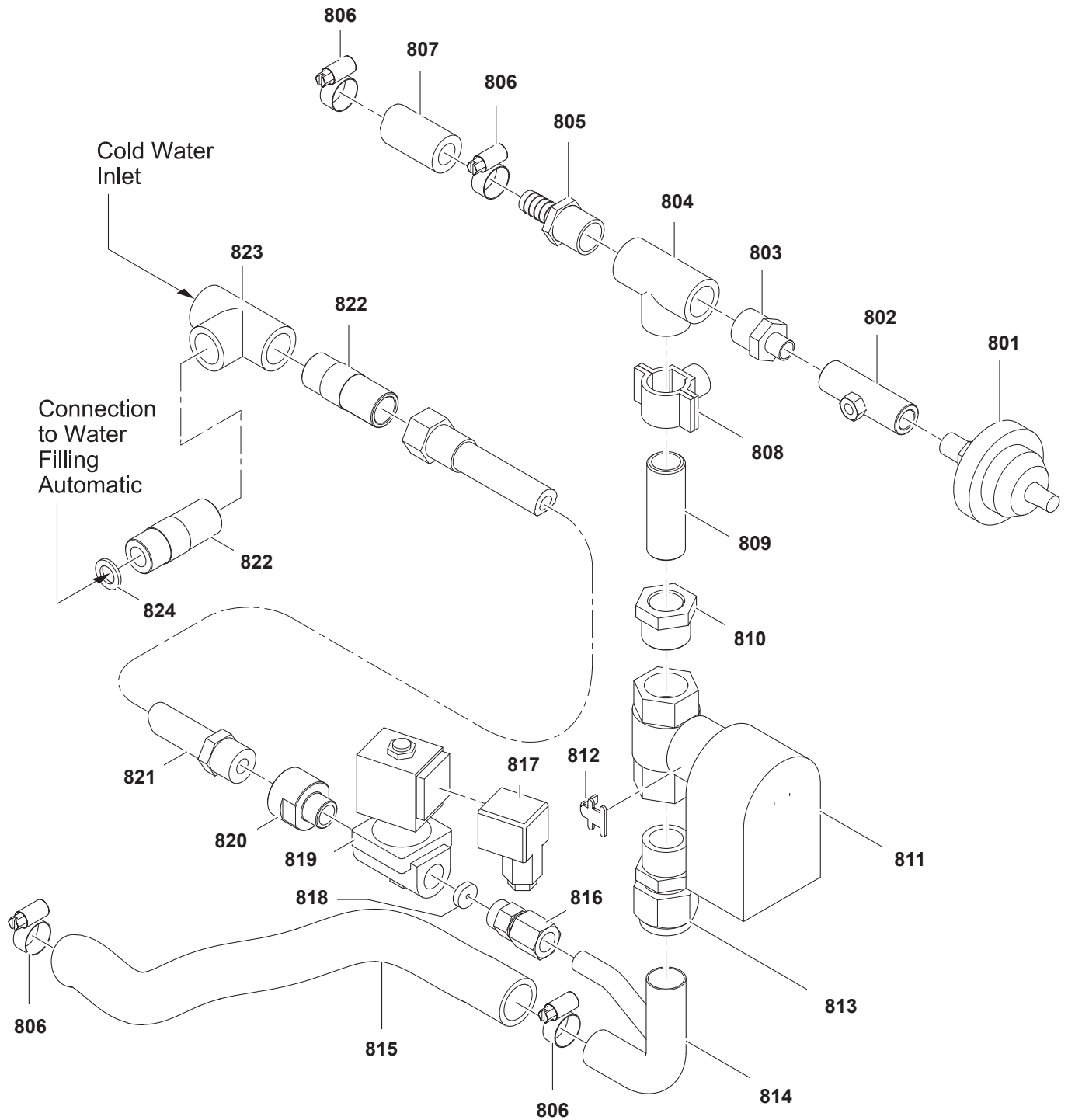
5	Alias	Code	Bezeichnung	Description	Ref.	Valid from Serial N°
552	87.5330.01	OG8614	Chassis	Chassis	PPEN20	9061...
552	87.5330.02	OG8615	Chassis	Chassis	PPEN30	9061...
553	718 034000.02	OK5570	Lippendichtung	Lip seal	PPEN20	
553	718 034000.03	OK5571	Lippendichtung	Lip seal	PPEN30	
554	86.5379	OG6430	Dampfschikane	Steam baffle		
554	87.5251	OG7867	Dampfschikane	Steam baffle		7011...
555	87.9047	OG5937	Kerntemperaturfühler	Core temperature sensor		until 9171...
555	87.9237	OG8575	Kerntemperaturfühler	Core temperature sensor		9181...
556	76.3365	OG3913	Sicherheitsventil 0.6 bar	Safety valve 0.6 bar		
557	76.8096		Winkelstück Dampfvernichtung	Angle piece steam destruction		
558	1 102 2469		Winkelverschraubung 1/2"	Elbow 1/2"		
559	1 116 1166	OG5518	Doppelnippel 1/2"	Double nipple 1/2"		
560	1 102 2435	OG7145	T-Stück 1/2"	Tee piece 1/2"		
561	1 102 2468	OG6234	Übergangsstück 1/2" - 1/4"	Adapter piece 1/2" - 1/4"		
562	1 102 2470	OG7439	Manometer -1 / +1 bar	Manometer -1 / +1 bar		
563	1 701 2825	OTTZFM	Gleitlager d38 D42	Plain Bearing d38 D42		
563	1 701 2826	OTTZFN	Gleitlager d28 D32	Plain Bearing d28 D32		



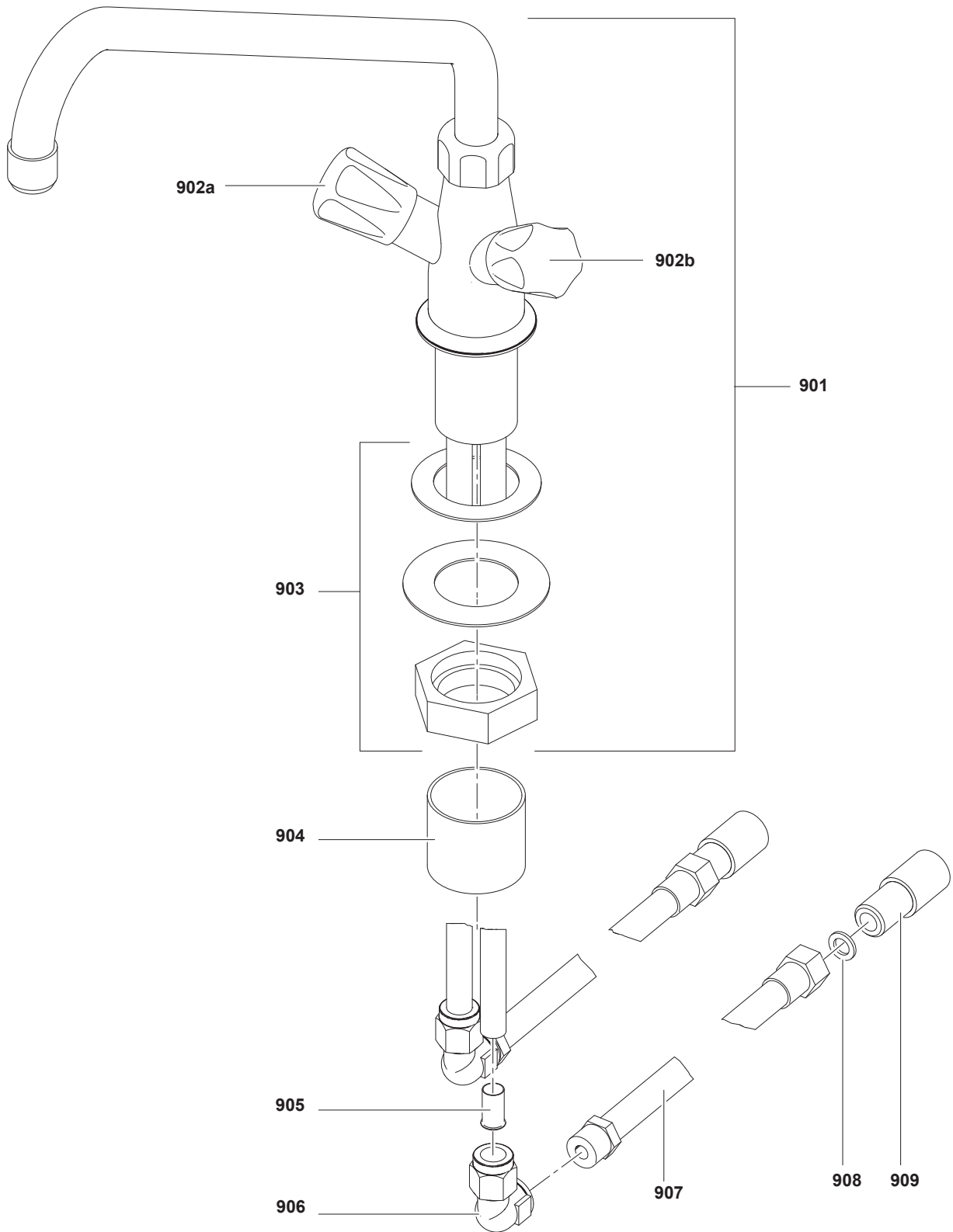
6	Alias	Code	Bezeichnung	Description	Ref.	Valid from Serial N°
601	1 117 1289	0G5644	Dichtung zu Rosette	Gasket to rosette		
602	1 117 1262	0A2149	Rosette	Rosette		
603	76.624	0G5164	Dichtung Ø49xØ57x2	Gasket Ø49xØ57x2		
604	87.0132	0G7796	Distanzscheibe	Spacer washer		
605	76.6241	0G5165	Übergangsstück	Adapter piece		
606	87.7055	0G6498	Entleerhahn 2"	Drain tap 2"		
607	712 044481.21	0G3610	Flachdichtung Ø18/11	Flat gasket Ø18/11		
608	712 344853.09	0KX151	Gewindekappe G1/2"	Threaded cap G1/2"		



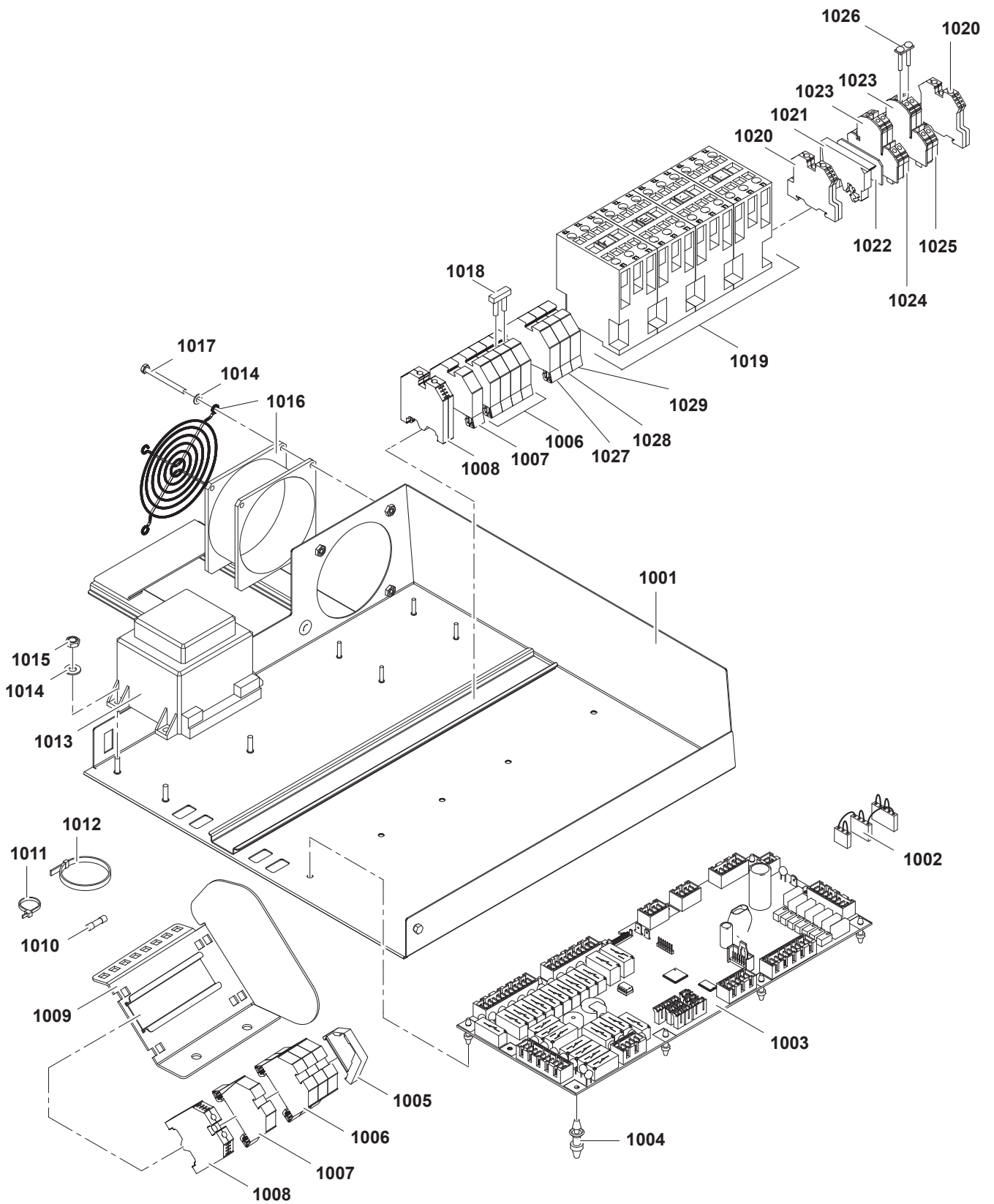
7	Alias	Code	Bezeichnung	Description	Ref.	Valid from Serial N°
701	86.5402.01	*	Support Verschluss	Support closure	PPEN20	
701	86.5402.02	*	Support Verschluss	Support closure	PPEN30	
702	1 701 2086		Schraube I-6kt M10x100	Allen screw M10x100		
703	1 701 3516	0T5917	U-Scheibe Ø10.5xØ20x2	Washer Ø10.5xØ20x2		
704	86.5189	0G5431	Druckfeder	Compression spring		
705	1 701 3055		Mutter M10x0.5D	Nut M10x0.5D		
706	1 701 3044	0K4612	Mutter M8x0.8D	Nut M8x0.8D		
707	1 701 3513	0G6088	U-Scheibe Ø8.4xØ17x1.6	Washer Ø8.4xØ17x1.6		
708	87.5108	0G7126	Gewindestift mit Mutter	Threaded pit with nut		
709	75.5006.06	0G5515	Schraube 6kt M5x16 USPH	Hext bolt M5x16 USPH		
710	1 701 1072	0G6833	Senkschraube M5x25	Countersunk screw M5x25		
711	86.5187	0G5429	Bronze-Klotz	Bronze-block		
712	87.5042		Riegel	Locking		
713	1 701 2083	0G5437	Schraube I-6kt M8x16	Allen screw M8x16		
714	86.5389	0G6387	Gleitlager-Schliesser	Sliding bearing		
715	86.5168	0G6637	Schliesser	Lid locking		
716	86.5172	0G5317	Lager - Schliesser	Bearing for locking		
717	1 701 2507	0G4653	Schraube 6kt M5x10	Hex bolt M5x10		
718	1 101 8040	0K4493	Schraube I-6kt M6x20	Allen screw M6x20		
719	86.5093	0G5443	Bügelgriff	Handle		
720	10 3179	0G4216	Flachkopfschraube M5x12	Flat hea screw M5x12		
721	86.5190	0G5293	Lagerplatte	Bearing plate		
722	86.5192	0G6577	Druckfeder	Compression spring		
723	86.5191	0G5432	Achse	Axis		
724	86.2611	0G7384	U-Scheibe spezial	Special washer		
725	1 101 8134	0G6087	Schraube I-6kt M10x30	Allen screw M10x30		
726	74.0148	0G3733	U-Scheibe Ø16xØ30x1.5	Washer Ø16xØ30x1.5		
727	86.5411	0G6409	Welle Sicherheitsventil	Shaft safety valve		
728	86.5412	*	Gleitlagersupport	Sliding bearing support		
729	1 701 2810	0G5294	Griff L.150/30-M6	Handle L.150/30-M6		
730	86.5120	0G5297	Griffnabe	Handle hub		
731	86.5119	0G5298	Griffbolzen	Handle bolt		
732	1 701 2811	0G5299	Griff I.222/40-M8	Handle I.222/40-M8		
733	86.5403.01	*	Frontabdeckung Verschluss	Frontal cover closure	PPEN20	
733	86.5403.02	*	Frontabdeckung Verschluss	Frontal cover closure	PPEN30	



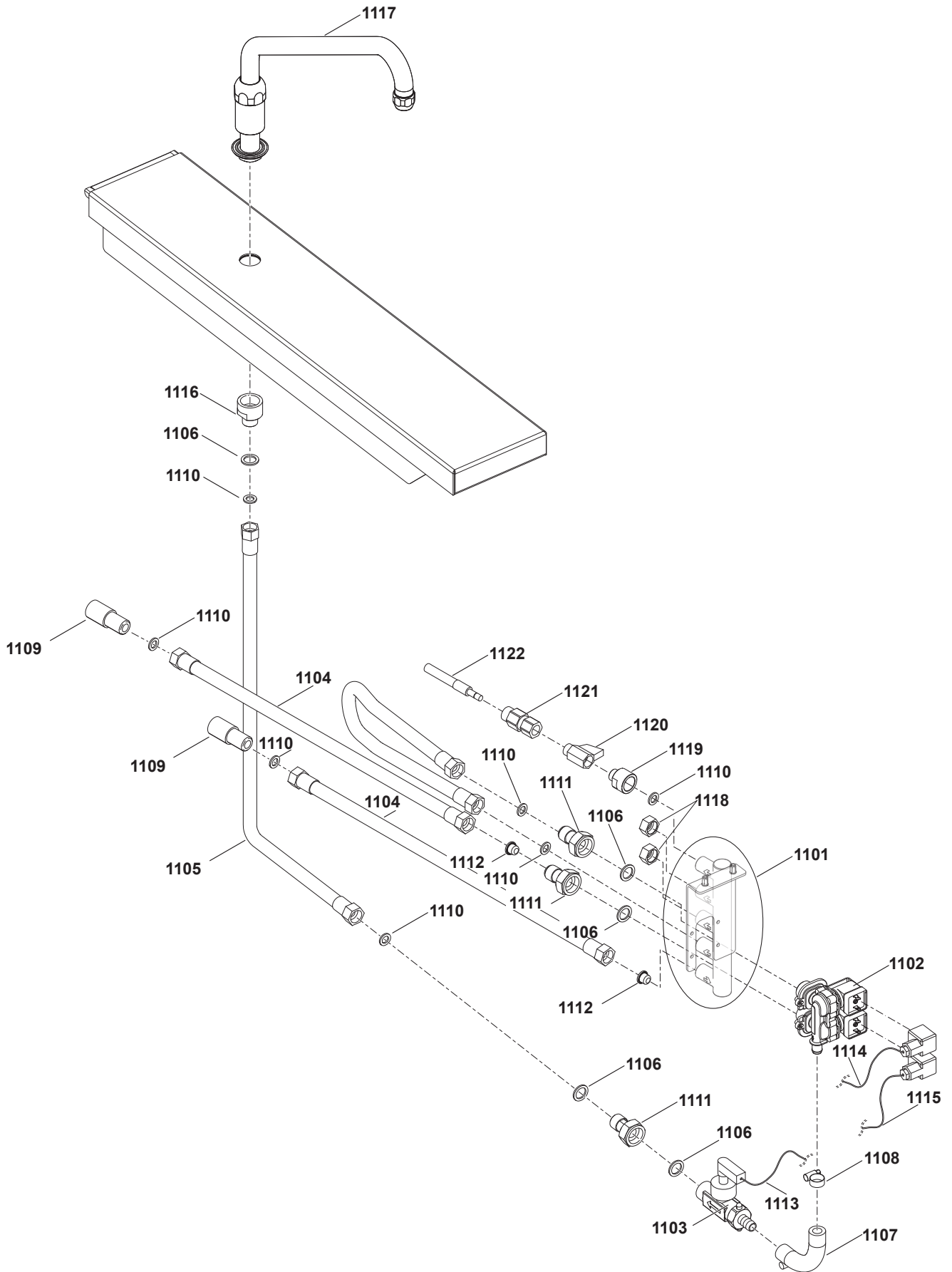
8	Alias	Code	Bezeichnung	Description	Ref.	Valid from Serial N°
801	75.1002	OK4928	Druckschalter	Pressure switch		
802	87.2129		Prüfanschluss	Testing Connection		
803	87.6003	OG7392	Reduziernippel 1/2" - 1/4"	Reducing nipple 1/2" - 1/4"		
804	1 102 2435	OG7145	T-Stück Kohler G 1/2"	Tee connector Kohler G 1/2"		
805	1 701 7558	OG7135	Schlauchnippel R 1/2"	Hose nipple R 1/2"		
806	12.9827	OG2823	Schlauchbride	Hose clamp		
807	86.7144	OG7668	Dampfschlauch	Steam hose		
808	1 201 2189		Rohrklammer Ø20-23	Pipe clamp Ø20-23		
809	1 116 1133	OG4513	Doppelnippel 1/2" R-210	Double nipple 1/2" R-210		
810	1 116 1199	OG4370	Gewindemuffe 1/2" - 3/4"	Threaded socket 1/2" - 3/4"		
811	86.7016		Kugelventil Gruner 230V	Ball valve Gruner 230V		
812	86.5047		Befestigung zu Motorventil	Fixture to motorized valve		
813	1 101 3823	OG5498	Verschraubung	Fitting		
814	86.5259.02		Kühlrohr	Cooling pipe		
815	1 117 1119	OK4573	Kühlschlauch	Cooling hose		
816	1 101 2148	OG5499	Gerade Verschraubung	Straight fitting		
817	76.4935	OK4978	Stecker Magnetventil	Plug magnet valve		
818	86.5211	OG5502	Blende Kühlwasser	Nozzle cooling water		
819	76.3048	OK5342	Magnetventil	Magnet valve		
820	1 116 1222		Muffennippel reduziert 1/2" - 3/8"	Reducing coupling nipple 1/2" - 3/8"		
821	712 344893.01	OKW734	Panzerschlauch LI700 G1/2" / R1/2"	Reinforced hose LI700 G1/2" / R1/2"		until 9441...
821	87.7188.01	OG8753	Panzerschlauch LI700 G1/2" - I/A	Reinforced hose LI700 G1/2" - I/A		9451...
822	87.5169		Adapter zu WFA	Adapter to WFA		
823	1 102 2435	OG7145	T-Stück Kohler G1/2"	Tee connector Kohler G1/2"		
824	712 044481.21	OG3610	Flachdichtung Ø18xØ11x2	Flat gasket Ø18xØ11x2		
	879040	OG5940	Kabel: COP20 - Dampfvernichtung	Cable: COP20 - Steam condensation		
	879016	OG5941	Kabel: COP20 - Druckschalter	Cable: COP20 - Pressure switch		



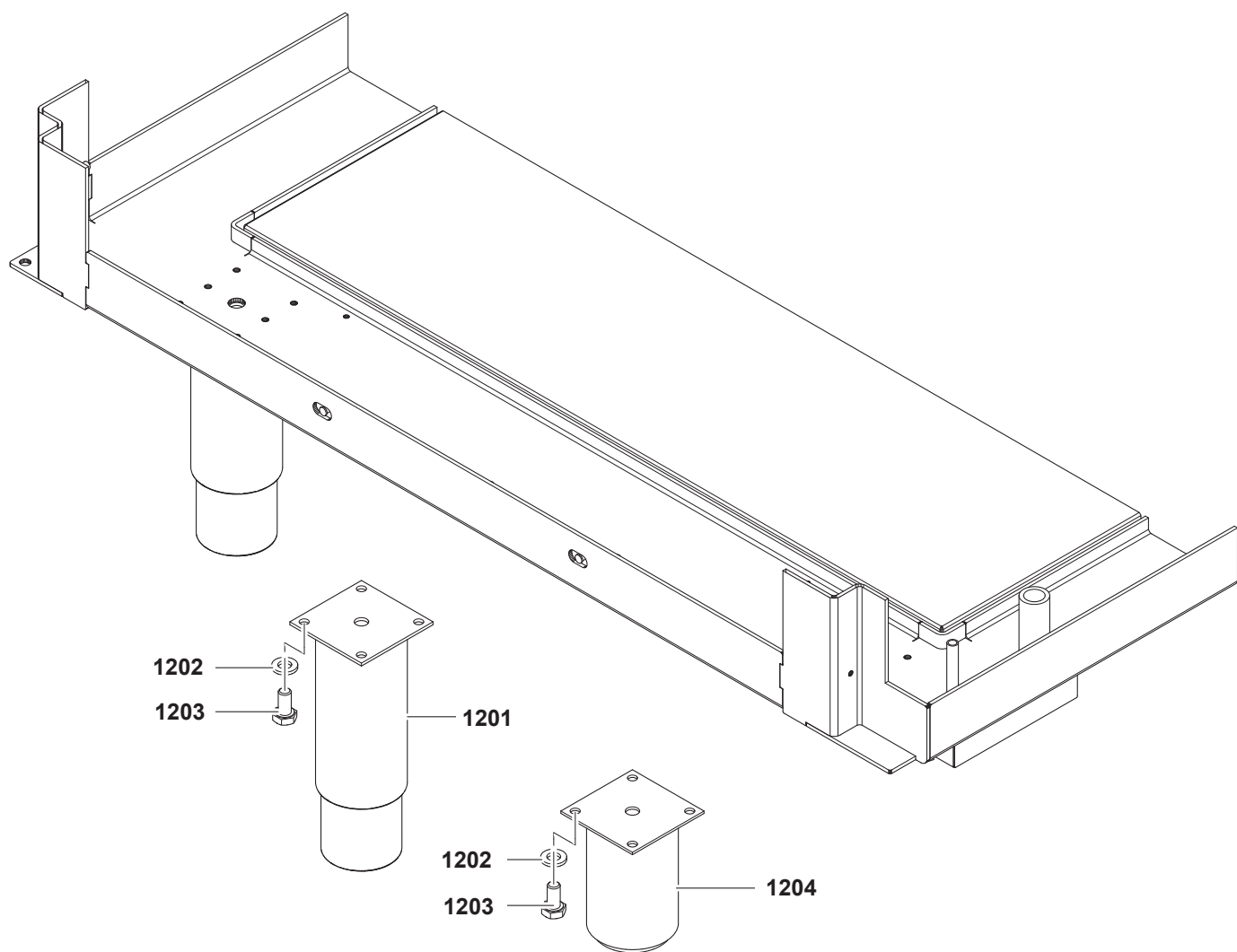
9	Alias	Code	Bezeichnung	Description	Ref.	Valid from Serial N°
901	1 105 1276	OG7824	Mischbatterie Klarco	Mixing tap Klarco		
902a	62.6223.04	0L1041	Griff Heisswasser	Knob hot water		
902b	62.6223.05	0L1040	Griff Kaltwasser	Knob cold water		
903		*	Set Verschraubung	Kit Fixation		
904	87.7092		Distanzrohr Ø57x2 L50	Spacer tube Ø57x2 L50		
905	1 101 3797	0KE129	Stützhülse	Sleeve		
906	1 101 3798	0K4489	Winkel-Anschluss G1/2"	Angle connection G1/2"		
907	712 344893.02	0K5363	Panzerschlauch L1100 G1/2" / R1/2"	Armored hose L1100 G1/2" / R1/2"		until 9441...
907	87.7188.02	0G8754	Panzerschlauch L1100 G1/2" - I/A	Armored hose L1100 G1/2" - I/A		9451...
908	712 044481.21	0G3610	Flachdichtung Ø 18/11x2 G1/2"	Flat seal Ø 18/11x2 G1/2"		
909	87.5168	0G6646	WFA Adapter G1/2"	WFA Adapter G1/2"		



10	Alias	Code	Bezeichnung	Description	Ref.	Valid from Serial N°
1001	87.9012	*	Steuerträger PxEN	Support frame PxEN		
1002	87.919	OG6638	Jumper Core Temp	Jumper Core Temp		
1003	87.9015	OG5908	Motherboard COP20	Motherboard COP20		until 9051...
1003	87.9241	OG8953	Motherboard COP70	Motherboard COP70		9061...
1004	75.5000.04	OT2600	Distanzhalter	Spacer		
1005	75.2013	OKX290	Arretierstück	Fixation		
1006	75.2010.40	OKI280	Reihenklemme 16mm ² beige	Terminal block 16mm ² beige		
1006	75.2010.50	OG8035	Reihenklemme 35mm ² beige	Terminal block 35mm ² beige	PPEN20-40	7411...
1007	75.2010.41	OG3488	Nullleiterklemme 16mm ² blau	Neutral wire terminal 16mm ² blue		
1007	75.2010.51	OG8036	Nullleiterklemme 35mm ² blau	Neutral wire terminal 35mm ² blue	PPEN20-40	7411...
1008	75.2011.03	OKX291	Schutzleiterklemme 16mm ²	Ground conductor terminal 16mm ²		
1008	75.2011.04	OG8037	Schutzleiterklemme 35mm ²	Ground conductor terminal 35mm ²	PPEN20-40	7411...
1009	87.0014	*	Klemmenträger	Terminal support		
1010	712 344362.01	OG5814	Sicherung 5x20 1A	Fuse 5x20 1A		
1011	1 115 1235		Kabelbinder schwarz	Cable tie black		
1012	1 115 1391		Kabelbinder weiss	Cable tie white		
1013	87.9036	OG5910	Transformator PMA	Transformer PMA		
1014	1 701 3502	OG3595	U-Scheibe Ø4.3x9x0.8	Washer Ø4.3x9x0.8		
1015	1 701 3004	OK4606	Mutter M4	Nut M4		
1016	86.9055	OG5805	Ventilator 208-240V	Ventilator 208-240V		
1016		*	Fingerschutzgitter	Finger guard		
1017	1 701 2636		Schraube 6kt M4x45	Hex screw M4x45		
1018	75.2010.44	OKT731	Querverbinder	Cross connection		
1019	1 115 1758	OG4646	SCHUETZ K3-24X022	Contactore K3-24X022		
1020	75.2011.01	OKT730	Schutzleiterklemme 4mm ²	Ground conductor terminal 4mm ²		
1021	75.2012.01	OK5155	Sicherungsklemme	Fuse holder terminal		
1022	75.2012.02	OT2599	Abschlusswand zu Sicherungsklemme	Cover to fuse holder terminal		
1023	75.2010.12	OT2598	Abschlusswand	Cover		
1024	75.2010.10	OKT734	Reihenklemme 4mm ² grau	Terminal block 4mm ² grey		
1025	75.2010.11	OKT733	Nullleiterklemme 4mm ² blau	Neutral wire terminal 4mm ² blue		
1026	75.2010.14	OG5735	Querverbinder	Cross connection		
1027	75.2010.20	OG7080	Reihenklemme grau	Terminal block grey		9061...
1028	75.2010.21	OG3489	Nullleiterklemme blau	Neutral wire terminal blue		9061...
1029	75.2011.01	OKT730	Schutzleiterklemme G/G	Ground conductor terminal G/G		9061...
	1 115 1783	OG6228	Filter FN2060	Filter FN2060		9061...
	76.9117.03		T-Litze Haupterd draht	T-Litz wire earthing		
	87.9006	OG5922	Kabel: COP20 - Schützen STB	Cable: COP20 - Conductors STB		
	87.9037	OG5923	Kabel: N - Trafo - P	Cable: N - Transformator - P		
	87.9039	OG5925	Kabel: Klemmen - Schützen	Cable: Terminal - conductor		
	87.9095		Kabel: COP20 - Ventilator	Cable: COP20 - Ventilator		



11	Alias	Code	Bezeichnung	Description	Ref.	Valid from Serial N°
1101	87.7138	0G8267	Wasserverteiler WFA 2.0	Water distributor WFA 2.0		
1102	87.7139	0G8030	"2/2-Weg Magnetventil 1 3/4" A1/2 Schlaucht"	2/2-way solenoid valve 1 3/4" A1/2" hoses		
1103	76.9668	0G3702	Durchflussmesser WFA	Flow meter WFA		
1104	87.7188.04	0G8756	Panzerschlauch 1/1 0.6 m	Armored hose L600 G1/2"		
1105	87.7188.06	*	Panzerschlauch 1/1 1.1m	Armored hose L1100 G1/2"		
1106	87.7195	0G8719	Dichtung 24x17x2 AFM34	Flat sealing 24x17x2 AFM34		
1107	86.7144	0G7668	Dampfschlauch ø13/ø23	Steam hose ø13/ø23		
1108	12.9827	0G2823	Bride Schlauch	Hose clamp		
1109	87.5168	0G6646	Adapter zu WFA	Adapter for WFA G1/2"		
1110	87.2429	0G8524	Dichtung D18x11x2 AFM34	Flat sealing D18x11x2 AFM34		
1111	87.7193	0G9121	"Anschlussverschraubung 3/4"-1/2"	Connection screw fitting 3/4"-1/2"		
1112	1 701 2827	0G6842	Hutfilter 1/2-50/20 H12	Filter insert 1/2-50/50 H12		
1113	87.9106	0G6658	Kabel COP20CAN-WFA Flowmeter	Cable connection COP20CAN-WFA Flowmeter		
1114	87.9020.01	*	Kabel COP20-WW Ventil 3300MM	Cable connection COP20-WW Ventil 3300MM		
1115	87.9019.01	*	Kabel COP20-KW Ventil 3300MM	Cable connection COP20-KW Ventil 3300MM		
1116	1 116 1233	0G8474	"Muffennippel reduziert 3/4"-1/2"	Socketed pipe nipple reduced 3/4"-1/2"		
1117	87.7227	0G9122	Schwenkarm Klarco 350	Swiveling arm		
1118	87.2430	0G8648	Gewindekappe 1/2	Threaded cap 1/2"		
1119	1 116 1222	0G8889	"Muffennippel reduziert 1/2-3/8"	Socketed pipe nipple reduced 1/2"-3/8"		
1120	86.1086	0G6844	Kugelhan mini A3/8 - 13/8	Ball valve mini 3/8"		
1121	87.7151	0G8523	"Kegelrückschlagventil ø8/3/8"	Check valve 3/8"		
1122	86.7123	0G5969	Spray Gun Schlauch 1/4 SG	Spray Gun Hose		
--	87.7089	OTTX97	Dichtband für rohr-gewinde	Sealing tape for pipe threads		



12	Alias	Code	Bezeichnung	Description	Ref.	Valid from Serial N°
1201	86.0001	OG5391	Stellfuss 2" H200	Adjustable foot 2" H200	H700	
1202	1 701 4003	OG3659	U-Scheibe Ø6.4x12x1.6	Washer Ø6.4x12x1.6		
1203	1 701 2600	OKT919	Schraube 6kt M6x12	Hex screw M6x12		
1204	86.2385	OG6140	Stellfuss 2" H100	Adjustable foot 2" H100	H800	

