

PROTHERMETIC

**DE
EN**

**PUEN-E/K
PUEN-E/K**

**DRUCKBRAISIERE, ELEKTRISCH, ECKIG
PRESSURE BRAISING PAN, ELECTRIC, RECTANGLE**

Page	Baugruppe	Assembly group	Models
2	Verschalung	Casing	PUEN-E
4	Schalterfront Steuerung	Switch panel control system	PUEN-E
6	Heizung	Heating	PUEN-E
8	Druckdeckel	Pressure lid	PUEN-E
11	Auslaufhahn	Drain tap	PUEN-E
12	Deckelverschluss	Lid lock	PUEN-E
14	Dampfkondensation	Steam condensation	PUEN-E
16	Mischbatterie	Mixing Tap	PUEN-E
18	Wasser Füll Automat	Automatic Water Filling	PUEN-E
20	Steuerung	Control system	PUEN-E
22	Füsse	Feet	PUEN-E

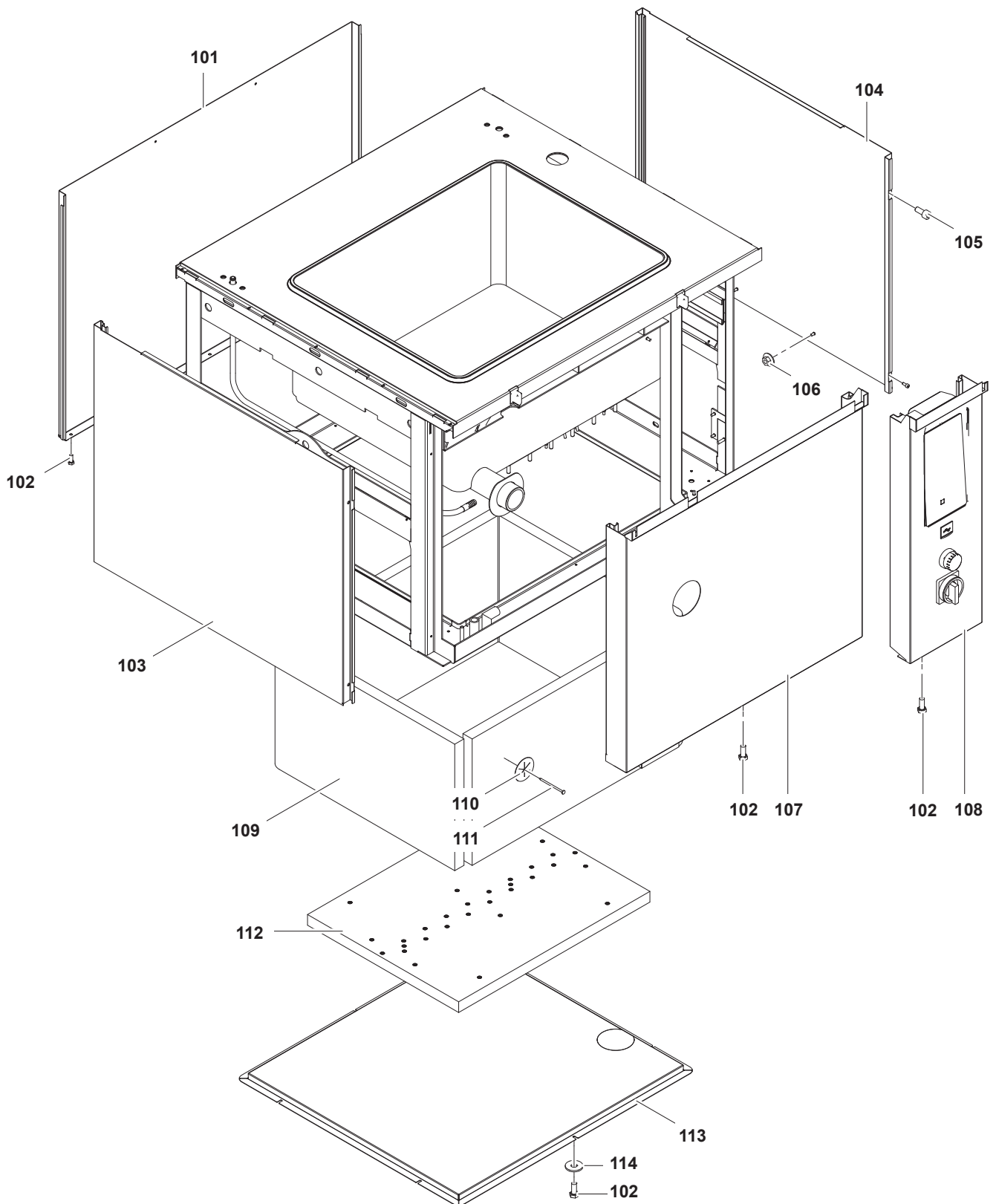
Valid from Ser. № 6351

Last Updates

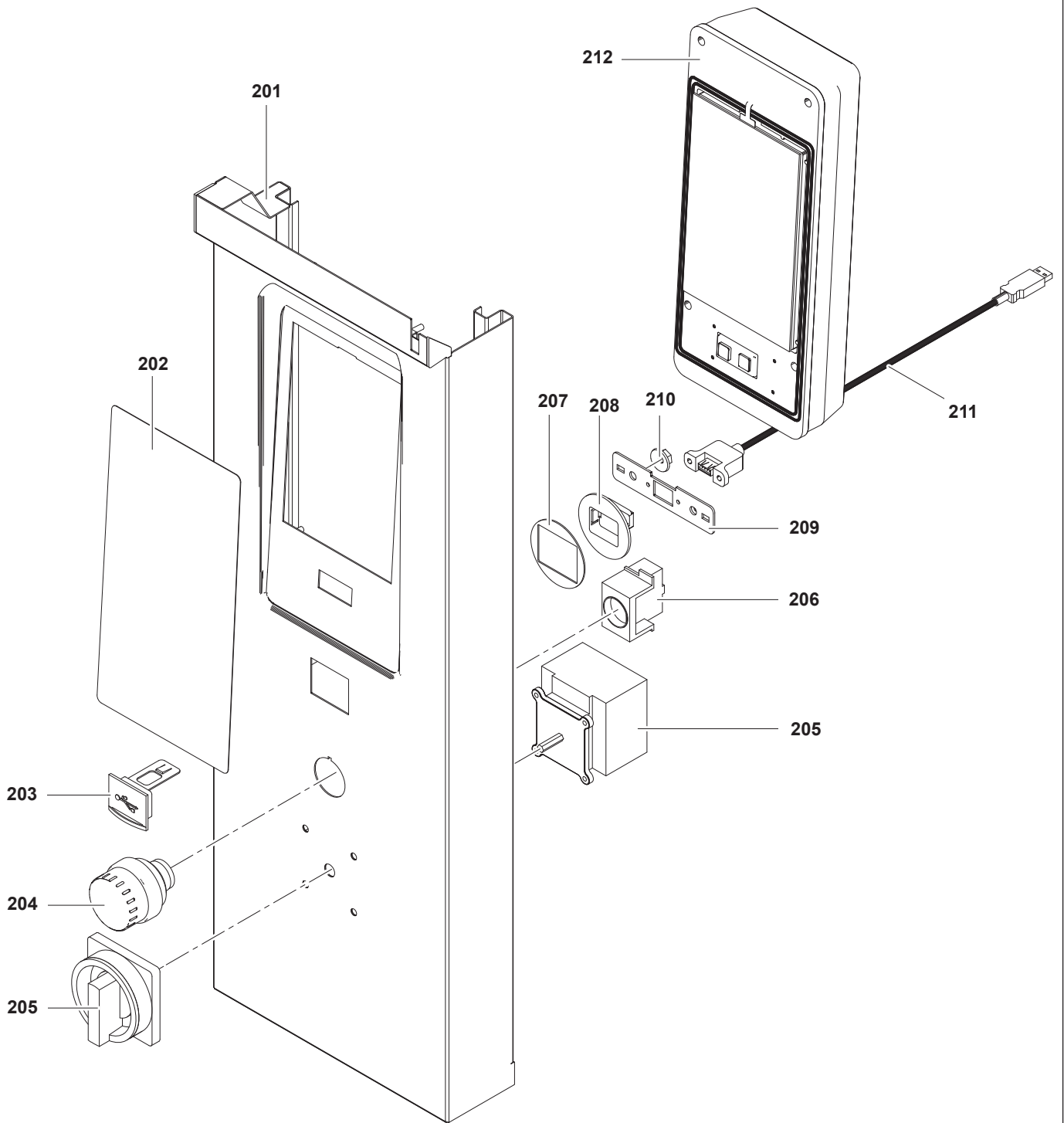
Page

Pos.

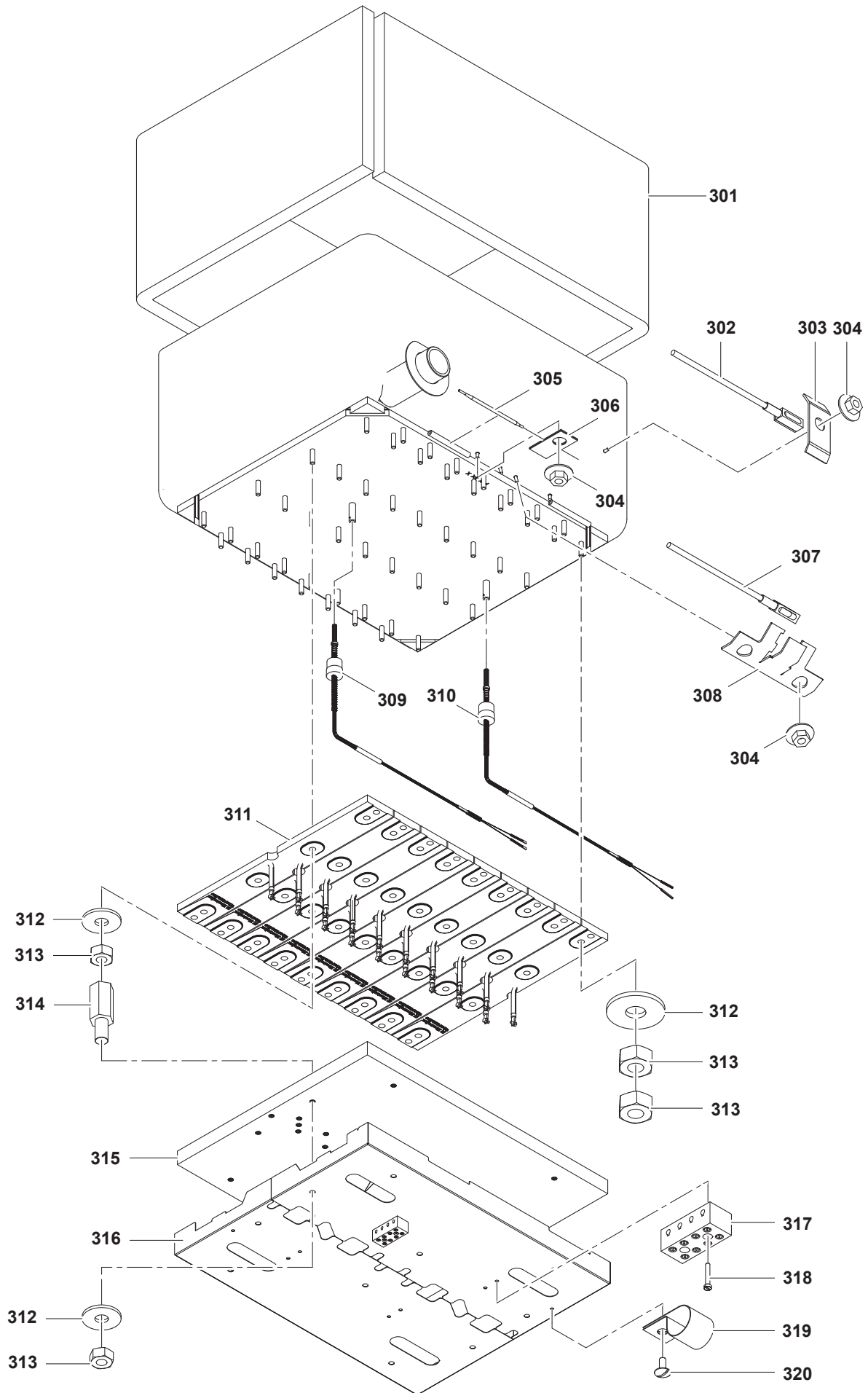
04/2016	all	
08/2016	all	
12/2016	8/9	
02/2017	8/9	
11/2017	5	5
10/2018	11	drawing
02/2019	21	3, 31, 32, 33
03/2019	10	55
06/2019	5	12
07/2019	3 / 10	9 / 63
08/2019	9	1
11/2019	15 / 17	21 / 7
04/2021	21	3
07/2023	18/19	Added WFA



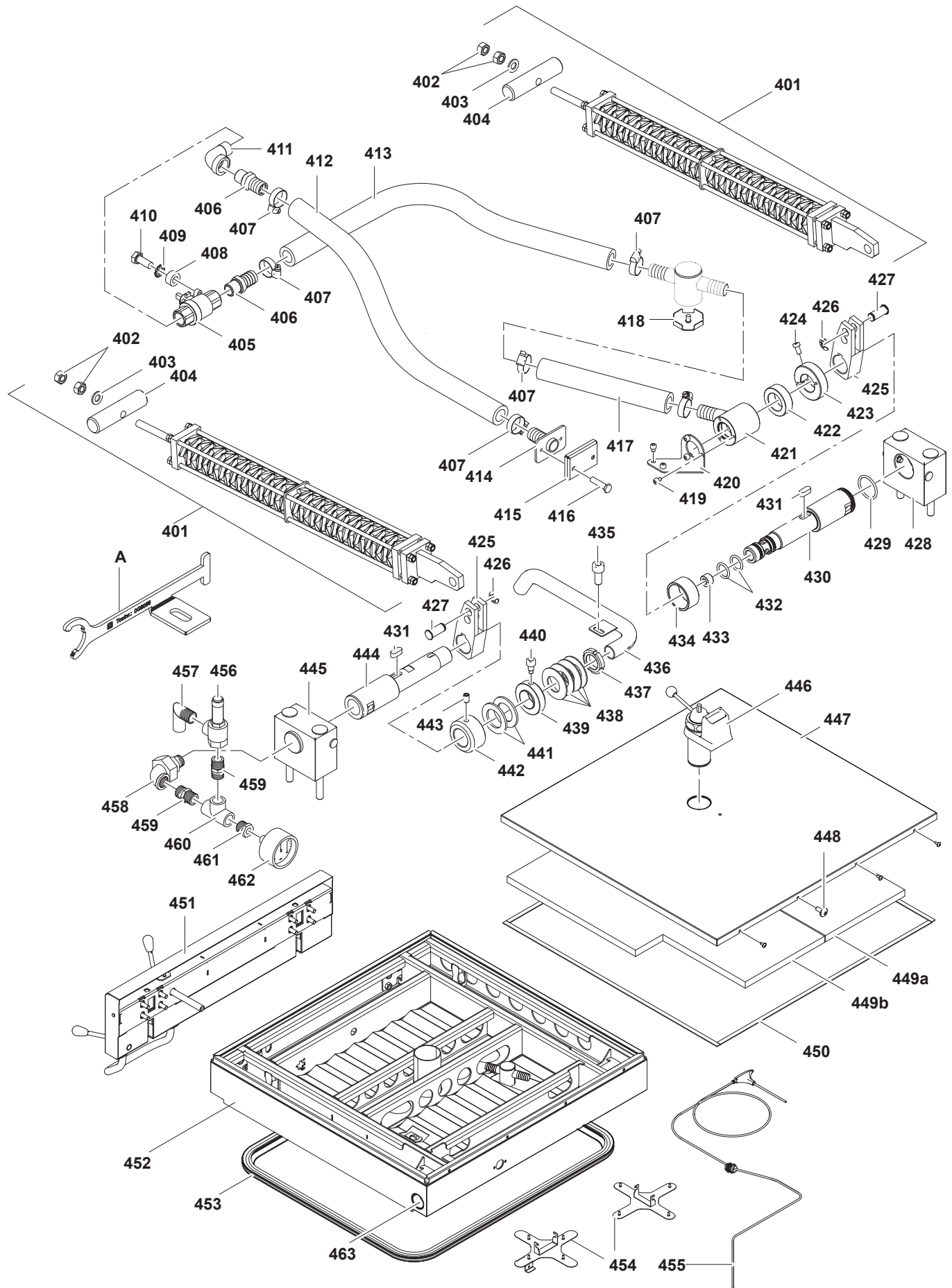
1	Alias	Code	Bezeichnung	Description	Ref.	Valid from Serial N°
101	86.2788.04	*	Rückpanel PUEN08/11 B1000 / H700	Rearpanel PUEN08/11 W1000 / H700		
101	86.2788.05	*	Rückpanel PUEN12/17 B1400 / H700	Rearpanel PUEN12/17 W1400 / H700		
101	86.2788.10	*	Rückpanel PUEN08/11 B1000 / H800	Rearpanel PUEN08/11 W1000 / H800		
101	86.2788.11	*	Rückpanel PUEN12/17 B1400 / H800	Rearpanel PUEN12/17 W1400 / H800		
102	1 701 2509	OK4598	Schraube 6kt M5x12	Hex screw M5x12		
103	86.2787.02	*	Seitenpanel links H700 / T900	Sidepanel left H700 / D900		
103	86.2787.04	*	Seitenpanel links H700 / T850	Sidepanel left H700 / D850		
103	86.2787.08	*	Seitenpanel links H800 / T900	Sidepanel left H800 / D900		
104	86.2787.01	*	Seitenpanel rechts H700 / T900	Sidepanel right H700 / D900		
104	86.2787.03	*	Seitenpanel rechts H700 / T850	Sidepanel right H700 / D850		
104	86.2787.07	*	Seitenpanel rechts H800 / T900	Sidepanel right H800 / D900		
105	1 101 8123	OG3849	Schraube I-6kt M5x12	Socket screw M5x12		
106	712 044120.05	OG3998	Kepsmutter M5	Keps nut M5		
107	86.2749.12	*	Frontpanel PUEN11 H700	Frontpanel PUEN11 H700	PUEN11	
107	86.2749.13	*	Frontpanel PUEN17 H700	Frontpanel PUEN17 H700	PUEN17	
107	86.2749.25	*	Frontpanel PUEN11 H800	Frontpanel PUEN11 H800	PUEN11	
107	86.2749.26	*	Frontpanel PUEN17 H800	Frontpanel PUEN17 H800	PUEN17	
107	86.2749.32	*	Frontpanel PUEN08 H700	Frontpanel PUEN08 H700	PUEN08	
107	86.2749.33	*	Frontpanel PUEN12 H700	Frontpanel PUEN12 H700	PUEN12	
107	86.2749.36	*	Frontpanel PUEN08 H800	Frontpanel PUEN08 H800	PUEN08	
107	86.2749.37	*	Frontpanel PUEN12 H800	Frontpanel PUEN12 H800	PUEN12	
108	87.1028.01	*	Steuerfront H700	Control panel H700	all H700	
108	87.1028.02	*	Steuerfront H800	Control panel H800	all H800	
109	87.2161.01	*	Isolation 80L / 110L	Insulation 80L / 110L	PUEN08/11	until 8491...
109	87.2161.02	*	Isolation 125L / 170L	Insulation 125L / 170L	PUEN12/17	until 8491...
109	87.2161.03	*	Isolation 80L / 120L	Insulation 80L / 120L	PUEN08/12	8501...
109	87.2161.04	*	Isolation 110L / 170L	Insulation 110L / 170L	PUEN11/17	8501...
110	1 201 1961	OG4127	Isolationsclip	Insulation clip		
111	1 201 1959	OG6987	Isolationsnagel	Insulation nail		
112	87.7001	*	Isolation Heizelemente 80L / 110L	Insulation heating elements 80L / 110L	PUEN08/11	
112	87.7002	*	Isolation Heizelemente 125L / 170L	Insulation heating elements 125L / 170L	PUEN12/17	
113	86.2759.04	*	Bodenblech PUEN08/11 T900	Bottom plate PUEN08/11 D900		
113	86.2759.05	*	Bodenblech PUEN12/17 T900	Bottom plate PUEN12/17 D900		
113	86.2759.10	*	Bodenblech PUEN11 T850	Bottom plate PUEN11 D850		
113	86.2759.11	*	Bodenblech PUEN17 T850	Bottom plate PUEN17 D850		
114	1 701 3545	OKI298	U-Scheibe Ø6.4xØ18x1.6	Washer Ø6.4xØ18x1.6		



2	Alias	Code	Bezeichnung	Description	Ref.	Valid from Serial N°
201	86.2791.01	*	Steuerfront	Control panel	all H700	
201	86.2791.02	OG6663	Steuerfront	Control panel	all H800	
201	86.2791.03	*	Steuerfront mit Not-Aus	Control panel with emergency stop	all H700	
201	86.2791.04	*	Steuerfront mit Not-Aus	Control panel with emergency stop	all H800	
201	86.2791.05	*	Steuerfront mit Hauptschalter	Control panel with main switch	all H700	
201	86.2791.06	*	Steuerfront mit Hauptschalter	Control panel with main switch	all H800	
201	86.2791.07	*	Steuerfront mit Not-Aus & Hauptschalter	Control panel with emergency stop & main switch	all H700	
201	86.2791.08	*	Steuerfront mit Not-Aus & Hauptschalter	Control panel with emergency stop & main switch	all H800	
202	871008	OG6081	Folie Steuerfront	Foil control panel		
203	879004	OC6546	Abdeckkappe zu USB	USB cover		
204	76.9075.03	OKX129	Notausschalter	Emergency stop button		
205	76.9164.02	OK4979	Hauptschalter 63A	Main switch 63A	PUEN20/30	
205	76.9149.08	OT6273	Kabel 5x10mm ² L=1400	Cable 5x10mm ² L=1400	PUEN20/30	until 7441...
205	87.9216.01	OG8069	Kabel 5x4mm ²	Cable 5x4mm ²	PUEN08/11	7451...
205	87.9216.02	OG8070	Kabel 5x6mm ²	Cable 5x6mm ²	PUEN12/17	7451...
206	76.9108.02	OK5160	Kontaktgeber Notaus	Terminal emergency stop		
207	87.9005	OG7687	Dichtung zu USB	USB sealing		
208	87.9003	OC6547	Halter zu USB	USB support		
209	87.9023	OC6874	Blech zu USB	USB fixation sheet		
210	712 044 120.04	OG4918	Kepsmutter M4	Keps nut M4		
211	87.9030	OC6566	Kabel COPUI40-USB	Cable COPUI40-USB		
212	87.9043	OG6990	Steuerung komplett	User Interface assembled		until 9171...
212	87.9242	OG8585	Steuerung komplett COPUI70	User Interface COPUI70 assembled		9181...



3	Alias	Code	Bezeichnung	Description	Ref.	Valid from Serial N°
301	87.2161.01	*	Isolation 80L / 110L	Insulation 80L / 110L	PUEN08/11	
301	87.2161.02	*	Isolation 125L / 170L	Insulation 125L / 170L	PUEN12/17	
302	87.9147.01		Kochgutfühler gelb	TC Sensor Food yellow		
303	76.4191	0G3087	Halter Kochgutfühler gelb	Support TC Sensor Food yellow		
304	712 044120.05	0G3998	Kepsmutter M5	Keps nut M5		
305	75.0010	0H9835	Sicherheitsthermostat	Safety thermostat		
306	76.4169	0G2819	Halter Sicherheitsthermostat	Support safety thermostat		
307	87.9147.02	0G6360	Kochgutfühler rot	TC Sensor Food red		
308	87.4058	0G7134	Halter Kochgutfühler rot	Support TC Sensor Food red		
309	87.9046	0G5934	Fühler unten links grün	TC Sensor bottom left green		
310	87.9045	0G5935	Fühler unten rechts blau	TC Sensor bottom right blue		
311	86.7006.01	0G4605	Heizelement 230V 1.7kW	Heating element 230V 1.7kW	PUEN08/11	
311	86.7005.01	0G4606	Heizelement 230V 1.7kW	Heating element 230V 1.7kW	PUEN12/17	
312	1 701 3547	0G5469	U-Scheibe Ø8.4xØ24x2	Washer Ø8.4xØ24x2		
313	1 701 3044	0K4612	Mutter M8	Nut M8		
314	1 115 1772	0G4896	Distanzhalter M8x25	Spacer M8x25		
315	87.7001	*	Isolation Heizelemente	Insulation heating elements	PUEN08/11	
315	87.7002	*	Isolation Heizelemente	Insulation heating elements	PUEN12/17	
316	86.5200	0G5465	Halterung Isolation Heizelemente	Support insulation heating elements	PUEN08/11	
316	86.5202	0G5466	Halterung Isolation Heizelemente	Support insulation heating elements	PUEN12/17	
317	76.9148	0K4977	Anschlussklemme 4-polig	Terminal with 4 pins		
318	1 701 2084	0G3586	Zylinderschraube M4x25	Fillister head screw M4x25		
319	71.0505.03	0G2881	Bride für Kabelbund	Cable tie		
320	1 701 1541	0G3674	Becherschraube M4x10	Roundheaded bolt M4x10		
	86.9134.01	0G5942	Verdrahtung Pfanne	Wiring pan		
	86.9134.02	0G5943	Verdrahtung Heizblock - Klemme	Wiring Heating block - Terminal		
	86.9145.01	0G5944	Kabel: Heizung - Schütze 2.5mm²	Cable: Heating - Contactors 2.5mm²		
	86.9145.02	0G5945	Kabel: Heizung - Schütze	Cable: Heating - Contactors		

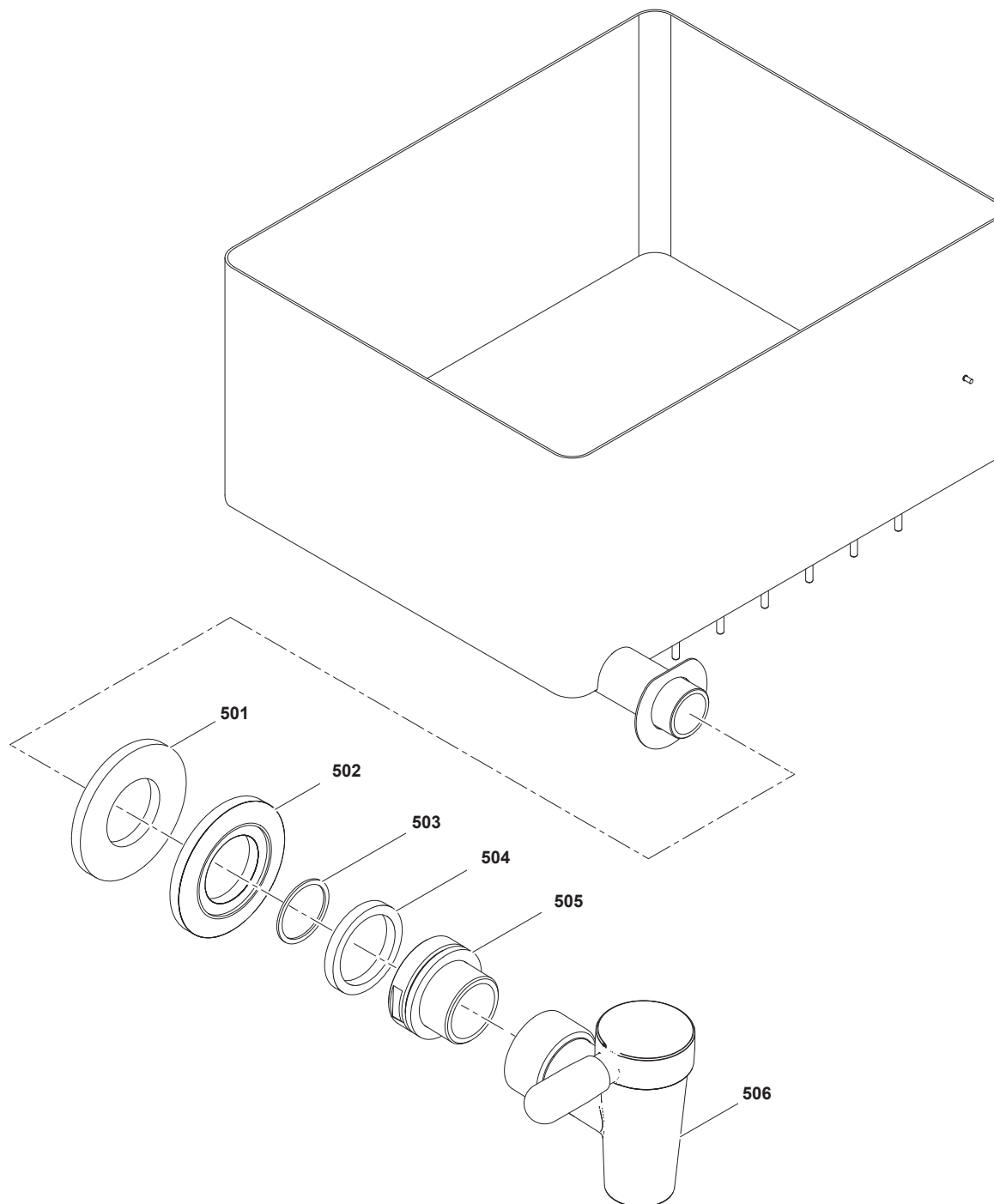


4	Alias	Code	Bezeichnung	Description	Ref.	Valid from Serial N°
A	870047	OG6055	SV-und Bremseinstellschlüssel	Slotted nut wrench		
401	76.3328	OG3937	Federpaket kpl.	Spring kit	PUEN08/11	
401	87.5210_KD	OG6432	Federpaket kpl.	Spring kit	PUEN12/17	
402	1 701 3027	OT1781	Mutter M10	Nut M10		
403	1 701 3542	OG7245	Unterlegscheibe M10	Washer M10		
404	86.5354	OG7246	Gelenkwelle	Joint shaft		
405	86.5409	OG7247	Kugelhahn 1/2" Kohler R-621	Ball valve 1/2" Kohler R-621		
406	1 116 1212	OG7249	Schlauchnippel R-144 1/2"-20mm	Hose nipple R-144 1/2"-20mm		
407	1 103 1170	OK4550	Schlauchklemme Gr. 1	Hose clamp		
408	1 701 1142	OG7250	Distanzhülse	Spacer		
409	1 701 7002	OG2923	Fächerscheibe M5	Fan washer M5		
410	1 701 2509	OK4598	Schraube 6kt M5x12	Hex bolt M5x12		
411	1 101 2162	OG6161	Einschraubwinkel 1/2"	L connector 1/2"		
412	1 701 1140.04	OG7251	Dampfschlauch L=635mm	Steam hose L=635mm		
413	1 701 1140.03	OG7253	Dampfschlauch L=560mm	Steam hose L=560mm	PUEN08/11	
413	1 701 1140.05		Dampfschlauch L=940mm	Steam hose L=940mm	PUEN12/17	
414	86.5416	OG7255	Stutzen	T-joint with hose nipple		
415	86.5417	OG7256	Ableitkappe	Derivation cover		
416	75.5006.01	OG5143	Schraube 6kt M5x20 USPH	Hex bolt M5x20 USPH		
417	1 701 1140.01	OG6811	Dampfschlauch L=205mm	Steam hose L=205mm		
418	86.5332	OG6431	Schikane	Baffle		
419	1 101 8199	OG7257	Zylinderschraube I-6kt M5x6	Allen screw M5x6		
420	86.5352	OG7258	Supportplatte Dampfkupplung	Support steam coupling		
421	86.5349	OG7259	Dampfkupplung	Steam coupling		
422	86.5351	OG7260	Unterlage links	Support layer left		
423	1 201 2187	OG7261	Geschlitzter Stellring	Adjustment ring		
424	1 101 8161	OG5812	Schraube I-6kt M6x12	Allen screw M6x12		
425	86.5364	OG6291	Federhebel	Spring support		
426	1 701 2775	OG6243	Sicherungsscheibe Ø10-14	Locking wash Ø10-14		
427	76.3264	OG7262	Lagerbolzen	Bearing pin		
428	87.5070	*	Lagerklotz links	Bearing support left		
429	1 201 2191	OG6731	O-Ring Ø32x3	O-ring Ø32x3		
430	86.5360	OG7263	Lagerwelle links	Bearing shaft left		
431	1 701 7099	OG5985	Passfeder 8x7x20 Typ A	Feather key 8x7x20 Type A		
432	1 201 2193	OG7264	O-Ring Ø19x3	O-ring Ø19x3		
433	1 101 3903	OG7265	Verschlusschraube SO 40371-3/8"	Locking screw SO 40371-3/8"		
434	86.5350	OG7266	Unterlage rechts	Support layer right		
435	1 101 8123	OG3849	Schraube I-6kt M5x12	Allen screw M5x12		
436	86.5451	OG7267	Rohr für Sensorkabel	Pipe for sensor cable		
437	1 701 1133	OG6290	Nutmutter M25x1.5	Slotted nut M25x1.5		
438	1 201 2104	OG6289	Tellerfeder	Belleville spring		
439	86.5347	OG6288	Unterlage rechts - Reibbelagring	Support layer right - Friction disc		
440	86.5368	OG6292	Schraube I-6kt M8x16 bearbeitet	Allen screw M8x16 reworked		
441	1 701 2772	OG6286	Reibbelagring	Friction disc		
442	86.5346	OG6287	Unterlage links - Reibbelagring	Support layer left - Friction disc		
443	1 701 7094	OG4248	Gewindestift I-6kt M8x12	Allen set screw M8x12		
444	86.5361	OG7268	Lagerwelle rechts	Bearing shaft right		
445	87.5074	*	Lagerklotz rechts	Bearing support right		
446	86.5150	OG5442	Deckelventil	Lid valve		
447	86.5373.01		Verschaltung Druckdeckel oben	Cover pressure lid	PUEN08/11	
447	86.5373.02	OG6022	Verschaltung Druckdeckel oben	Cover pressure lid	PUEN12/17	
448	1 701 1143	OG6901	Linsenkopfschraube M5x12	Fillister head screw M5x12		
449a	87.5104.02	OG7270	Isolation	Insulation	PUEN12/17	
449b	87.5104.01	OG7269	Isolation	Insulation		
450	1 701 7550	OG4894	Dichtband	Sealing strip		
451	86.5401.01		Deckelverschluss	Lid lock	PUEN08/11	
451	86.5401.02		Deckelverschluss	Lid lock	PUEN12/17	
452	86.5376.01		Chassis	Chassis	PUEN08/11	
452	86.5376.02		Chassis	Chassis	PUEN12/17	

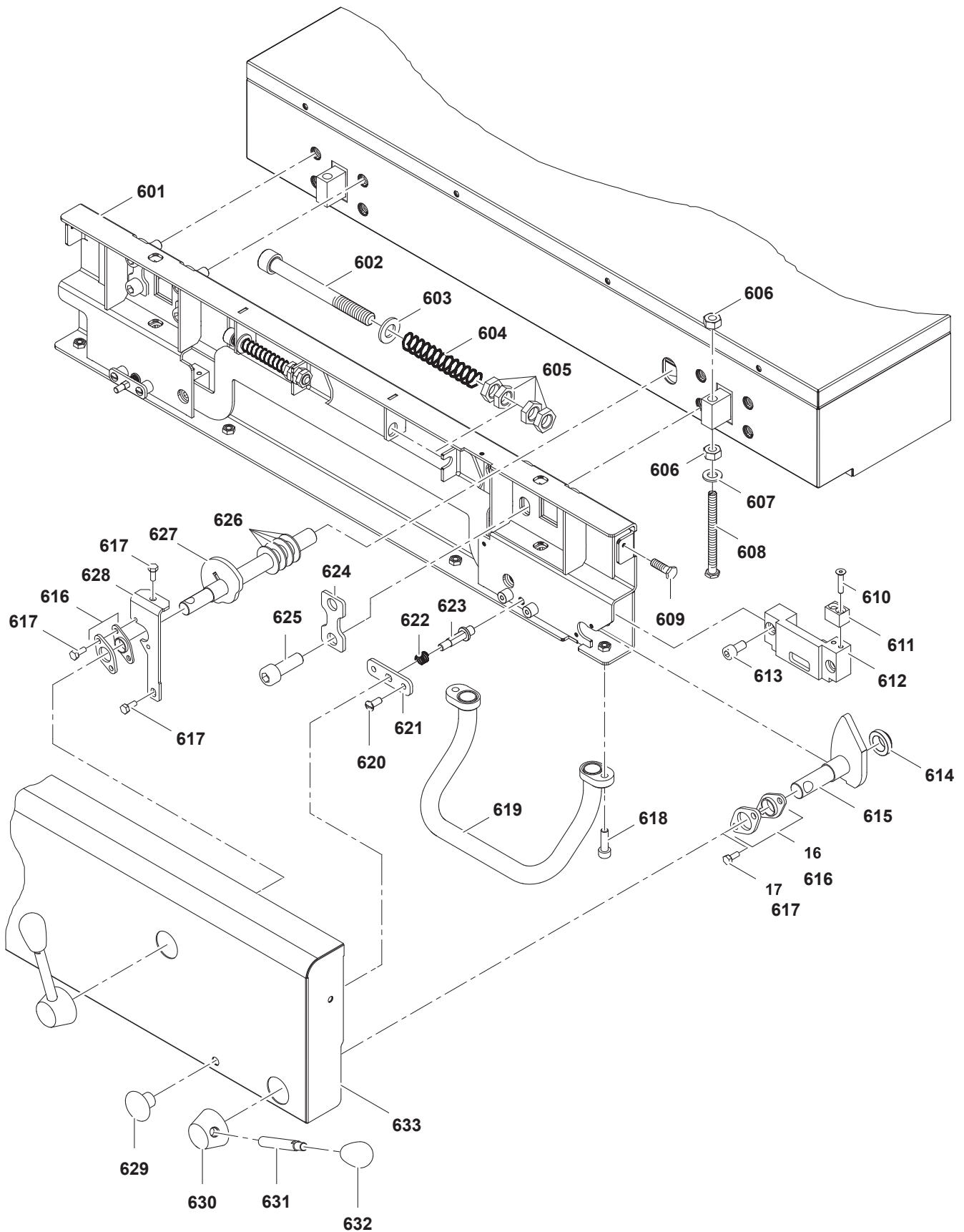
* Components on demand
* Teile auf Anfrage

Doc. № 599A2BN00 / 87.8090.02

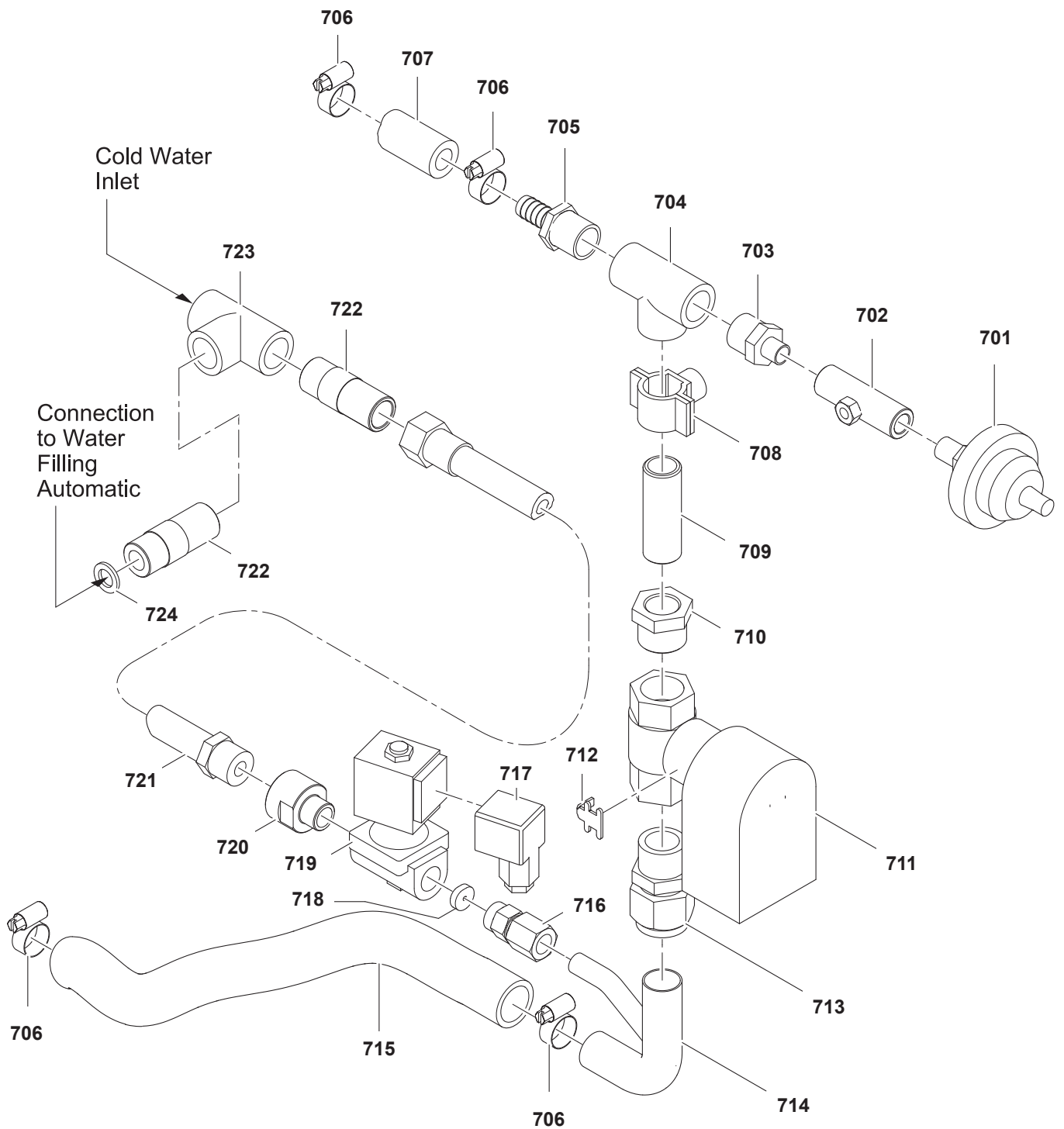
Page: 9



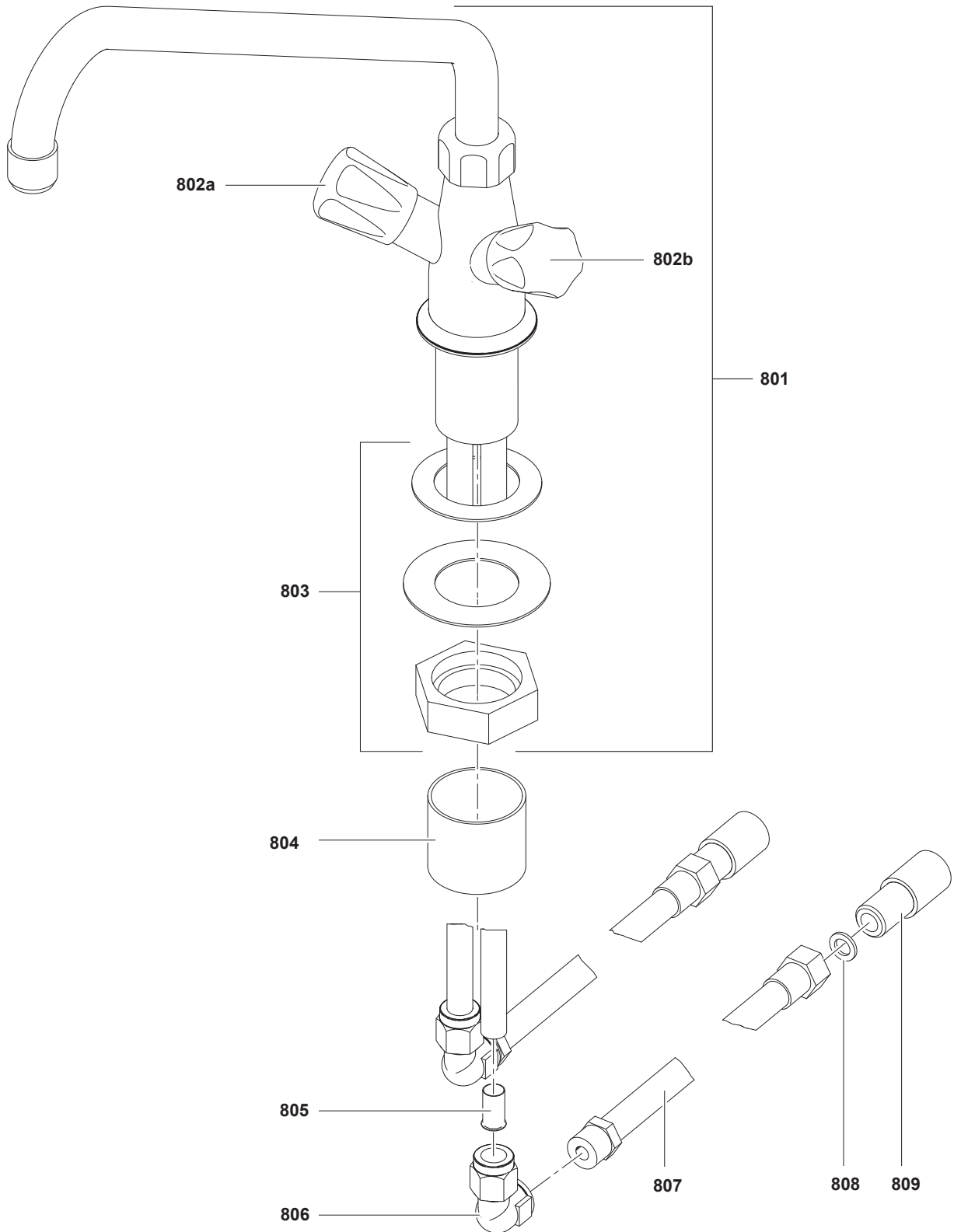
5	Alias	Code	Bezeichnung	Description	Ref.	Valid from Serial N°
501	1 117 1289	0G5644	Dichtung zu Rosette	Gasket to rosette		
502	1 117 1262	0A2149	Rosette	Rosette		
503	76.6240	0G5164	Dichtung Ø49xØ57x2	Gasket Ø49xØ57x2		
504	87.0132	0G7796	Distanzscheibe	Spacer washer		
505	76.6241	0G5165	Übergangsstück	Adapter piece		
506	87.7055	0G6498	Entleerhahn 2"	Drain tap 2"		

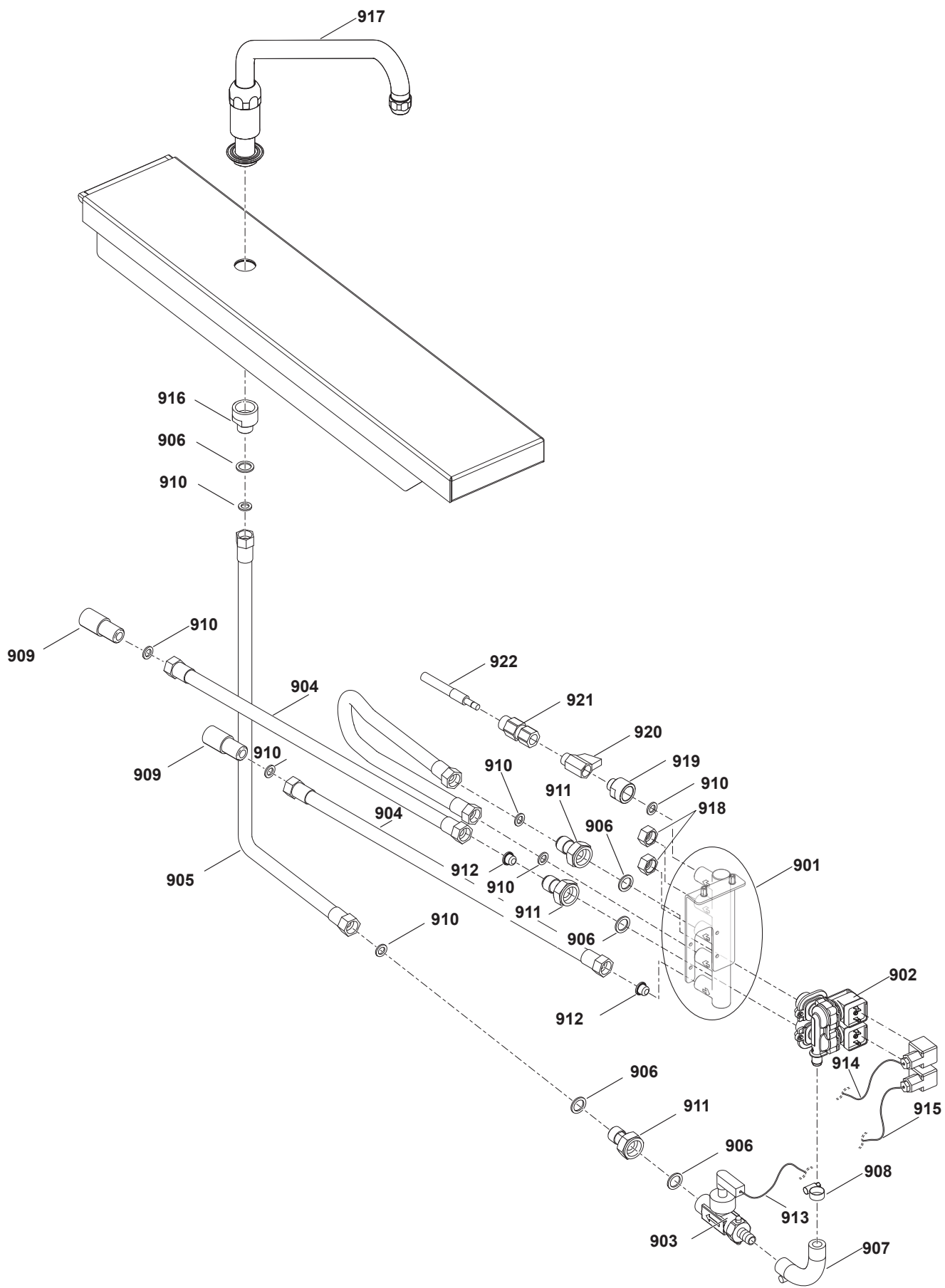


6	Alias	Code	Bezeichnung	Description	Ref.	Valid from Serial N°
601	86.5402.01	*	Support Verschluss	Support closure	PUEN08/11	
60	86.5402.02	*	Support Verschluss	Support closure	PUEN12/17	
602	1 701 2086		Schraube I-6kt M10x100	Allen screw M10x100		
603	1 701 3516	0T5917	U-Scheibe Ø10.5xØ20x2	Washer Ø10.5xØ20x2		
604	86.5189	0G5431	Druckfeder	Compression spring		
605	1 701 3055		Mutter M10x0.5D	Nut M10x0.5D		
606	1 701 3044	0K4612	Mutter M8x0.8D	Nut M8x0.8D		
607	1 701 3513	0G6088	U-Scheibe Ø8.4xØ17x1.6	Washer Ø8.4xØ17x1.6		
608	87.5108	0G7126	Gewindestift mit Mutter	Threaded pit with nut		
609	75.5006.06	0G5515	Schraube 6kt M5x16 USPH	Hext bolt M5x16 USPH		
610	1 701 1072	0G6833	Senkschraube M5x25	Countersunk screw M5x25		
611	86.5187	0G5429	Bronze-Klotz	Bronze-block		
612	87.5042		Riegel	Locking		
613	1 701 2083	0G5437	Schraube I-6kt M8x16	Allen screw M8x16		
614	86.5389	0G6387	Gleitlager-Schliesser	Sliding bearing		
615	86.5168	0G6637	Schliesser	Lid locking		
616	86.5172	0G5317	Lager - Schliesser	Bearing for locking		
617	1 701 2507	0G4653	Schraube 6kt M5x10	Hex bolt M5x10		
618	1 101 8040	0K4493	Schraube I-6kt M6x20	Allen screw M6x20		
619	86.5093	0G5443	Bügelgriff	Handle		
620	10 3179	0G4216	Flachkopfschraube M5x12	Flat head screw M5x12		
621	86.5190	0G5293	Lagerplatte	Bearing plate		
622	86.5192	0G6577	Druckfeder	Compression spring		
623	86.5191	0G5432	Achse	Axis		
624	86.2611	0G7384	U-Scheibe spezial	Special washer		
625	1 101 8134	0G6087	Schraube I-6kt M10x30	Allen screw M10x30		
626	74.0148	0G3733	U-Scheibe Ø16xØ30x1.5	Washer Ø16xØ30x1.5		
627	86.5411	0G6409	Welle Sicherheitsventil	Shaft safety valve		
628	86.5412	*	Gleitlagersupport	Sliding bearing support		
629	1 701 2810	0G5294	Griff L.150/30-M6	Handle L.150/30-M6		
630	86.5120	0G5297	Griffnabe	Handle hub		
631	86.5119	0G5298	Griffbolzen	Handle bolt		
632	1 701 2811	0G5299	Griff 1.222/40-M8	Handle 1.222/40-M8		
633	86.5403.01	*	Frontabdeckung Verschluss	Frontal cover closure	PUEN08/11	
633	86.5403.02	*	Frontabdeckung Verschluss	Frontal cover closure	PUEN12/17	

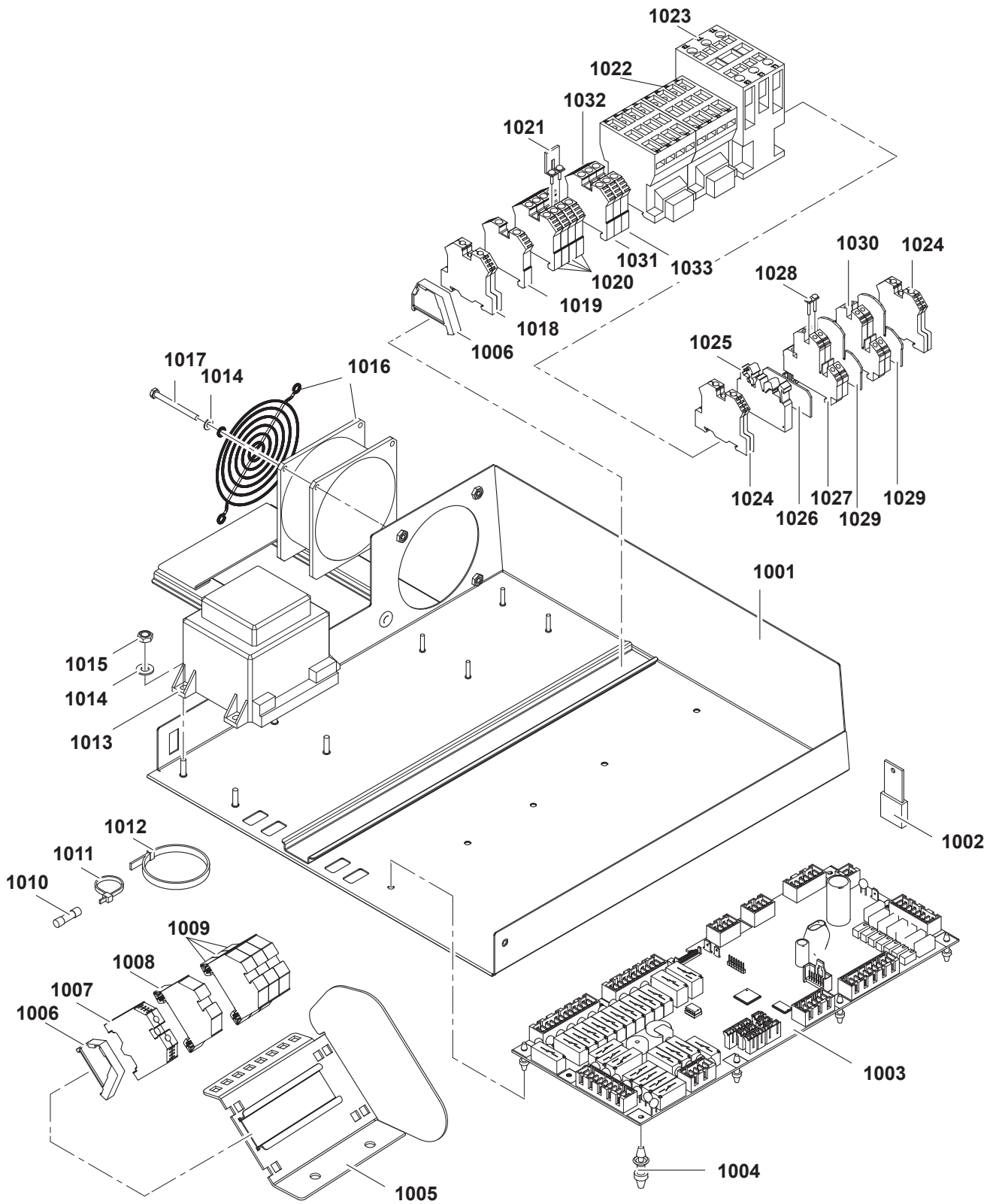


7	Alias	Code	Bezeichnung	Description	Ref.	Valid from Serial N°
701	75.1002	OK4928	Druckschalter	Pressure switch		
702	87.2129		Prüfanschluss	Testing Connection		
703	87.6003	OG7392	Reduziernippel 1/2" - 1/4"	Reducing nipple 1/2" - 1/4"		
704	1 102 2435	OG7145	T-Stück Kohler G 1/2"	Tee connector Kohler G 1/2"		
705	1 701 7558	OG7135	Schlauchnippel R 1/2"	Hose nipple R 1/2"		
706	12.9827	OG2823	Schlauchbride	Hose clamp		
707	86.7144	OG7668	Dampfschlauch	Steam hose		
708	1 201 2189		Rohrklammer Ø20-23	Pipe clamp Ø20-23		
709	1 116 1133	OG4513	Doppelnippel 1/2" R-210	Double nipple 1/2" R-210		
710	1 116 1199	OG4370	Gewindemuffe 1/2" - 3/4"	Threaded socket 1/2" - 3/4"		
711	86.7016		Kugelventil Gruner 230V	Ball valve Gruner 230V		
712	86.5047		Befestigung zu Motorventil	Fixture to motorized valve		
713	1 101 3823	OG5498	Verschraubung	Fitting		
714	86.5259.02		Kühlrohr	Cooling pipe		
715	1 117 1119	OK4573	Kühlschlauch	Cooling hose		
716	1 101 2148	OG5499	Gerade Verschraubung	Straight fitting		
717	76.4935	OK4978	Stecker Magnetventil	Plug magnet valve		
718	86.5211	OG5502	Blende Kühlwasser	Nozzle cooling water		
719	76.3048	OK5342	Magnetventil	Magnet valve		
720	1 116 1222		Muffennippel reduziert 1/2" - 3/8"	Reducing coupling nipple 1/2" - 3/8"		
721	712 344893.01	OKW734	Panzerschlauch LI700 G1/2" / R1/2"	Reinforced hose LI700 G1/2" / R1/2"		until 9441...
721	87.7188.01	OG8753	Panzerschlauch LI700 G1/2" - I/A	Reinforced hose LI700 G1/2" - I/A		9451...
722	87.5169		Adapter zu WFA	Adapter to WFA		
723	1 102 2435	OG7145	T-Stück Kohler G1/2"	Tee connector Kohler G1/2"		
724	712 044481.21	OG3610	Flachdichtung Ø18xØ11x2	Flat gasket Ø18xØ11x2		
	879040	OG5940	Kabel: COP20 - Dampfvernichtung	Cable: COP20 - Steam condensation		
	879016	OG5941	Kabel: COP20 - Druckschalter	Cable: COP20 - Pressure switch		





9	Alias	Code	Bezeichnung	Description	Ref.	Valid from Serial N°
901	87.7138	0G8267	Wasserverteiler WFA 2.0	Water distributor WFA 2.0		
902	87.7139	0G8030	"2/2-Weg Magnetventil 1 3/4" A1/2 Schlaucht"	2/2-way solenoid valve 1 3/4" A1/2 hoses		
903	76.9668	0G3702	Durchflussmesser WFA	Flow meter WFA		
904	87.7188.04	0G8756	Panzerschlauch 1/1 0.6 m	Armored hose L600 G1/2"		
905	87.7188.06	*	Panzerschlauch 1/1 1.1m	Armored hose L1100 G1/2"		
906	87.7195	0G8719	Dichtung 24x17x2 AFM34	Flat sealing 24x17x2 AFM34		
907	86.7144	0G7668	Dampfschlauch ø13/ø23	Steam hose ø13/ø23		
908	12.9827	0G2823	Bride Schlauch	Hose clamp		
909	87.5168	0G6646	Adapter zu WFA	Adapter for WFA G1/2"		
910	87.2429	0G8524	Dichtung D18x11x2 AFM34	Flat sealing D18x11x2 AFM34		
911	87.7193	0G9121	"Anschlussverschraubung 3/4"-1/2"	Connection screw fitting 3/4"-1/2"		
912	1 701 2827	0G6842	Hutfilter 1/2-50/20 H12	Filter insert 1/2-50/50 H12		
913	87.9106	0G6658	Kabel COP20CAN-WFA Flowmeter	Cable connection COP20CAN-WFA Flowmeter		
914	87.9020.01	*	Kabel COP20-WW Ventil 3300MM	Cable connection COP20-WW Ventil 3300MM		
915	87.9019.01	*	Kabel COP20-KW Ventil 3300MM	Cable connection COP20-KW Ventil 3300MM		
916	1 116 1233	0G8474	"Muffennippel reduziert 3/4"-1/2"	Socketed pipe nipple reduced 3/4"-1/2"		
917	87.7227	0G9122	Schwenkarm Klarco 350	Swiveling arm		
918	87.2430	0G8648	Gewindekappe 1/2	Threaded cap 1/2"		
919	1 116 1222	0G8889	"Muffennippel reduziert 1/2-3/8"	Socketed pipe nipple reduced 1/2"-3/8"		
920	86.1086	0G6844	Kugelhan mini A3/8 - 13/8	Ball valve mini 3/8"		
921	87.7151	0G8523	"Kegelrückschlagventil ø8/3/8"	Check valve 3/8"		
922	86.7123	0G5969	Spray Gun Schlauch 1/4 SG	Spray Gun Hose		
--	87.7089	OTTX97	Dichtband für rohr-gewinde	Sealing tape for pipe threads		



10	Alias	Code	Bezeichnung	Description	Ref.	Valid from Serial N°
1001	879012	*	Steuerträger PUEN	Support frame PUEN		
1002	879191	OG7123	Jumper	Jumper		
1003	879015	OG5908	Motherboard COP20	Motherboard COP20		until 9051...
100	879241	OG8953	Motherboard COP70	Motherboard COP70		9061...
1004	75.5000.04	OT2600	Distanzhalter	Spacer		
1005	870014	*	Klemmenträger	Terminal support		
1006	75.2013	OKX290	Arretierstück	Fixation		
1007	75.2011.03	OKX291	Schutzleiterklemme 16mm ²	Ground conductor terminal 16mm ²		
1008	75.2010.41	OG3488	Nullleiterklemme 16mm ² blau	Neutral wire terminal 16mm ² blue		
1009	75.2010.40	OKI280	Reihenklemme 16mm ² beige	Terminal block 16mm ² beige		
1010	712 344362.01	OG5814	Sicherung 5x20 1A	Fuse 5x20 1A		
1011	1 115 1235		Kabelbinder schwarz	Cable tie black		
1012	1 115 1391		Kabelbinder weiss	Cable tie white		
1013	879036	OG5910	Transformator PMA	Transformer PMA		
1014	1 701 3502	OG3595	U-Scheibe Ø4.3x9x0.8	Washer Ø4.3x9x0.8		
1015	1 701 3004	OK4606	Mutter M4	Nut M4		
1016	86.9055	OG5805	Ventilator 208-240V	Ventilator 208-240V		
106		*	Fingerschutzgitter	Finger guard		
1017	1 701 2636		Schraube 6kt M4x45	Hex screw M4x45		
1018	75.2011.02	OKT729	Schutzleiterklemme 10mm ²	Ground conductor terminal 10mm ²		
1019	75.2010.31	OG3495	Nullleiterklemme 10mm ² blau	Neutral wire terminal 10mm ² blue		
1020	75.2010.30	OKT732	Reihenklemme 10mm ² grau	Terminal block 10mm ² grey		
1021	75.2010.34	OG3339	Querverbinder	Cross connection		
1022	1 115 1757	OG4645	Schütz K3-14X027	Contacteur K3-14X027		
1023	1 115 1758	OG4646	Schütz K3-24X022	Contacteur K3-24X022		
1024	75.2011.01	OKT730	Schutzleiterklemme 4mm ²	Ground conductor terminal 4mm ²		
1025	75.2012.01	OK5155	Sicherungsklemme	Fuse holder terminal		
1026	75.2012.02	OT2599	Abschlusswand	Cover		
1027	75.2010.11	OKT733	Nullleiterklemme 4mm ² blau	Neutral wire terminal 4mm ² blue		
1028	75.2010.14	OG5735	Querverbinder	Cross connection		
1029	75.2010.12	OT2598	Abschlusswand	Cover		
1030	75.2010.10	OKT734	Reihenklemme 4mm ² grau	Terminal block 4mm ² grey		
1031	75.2010.20	OG7080	Reihenklemme grau	Terminal block grey		9061...
1032	75.2010.21	OG3489	Nullleiterklemme blau	Neutral wire terminal blue		9061...
1033	75.2011.01	OKT730	Schutzleiterklemme G/G	Ground conductor terminal G/G		9061...
	1 115 1783	OG6228	Filter FN2060	Filter FN2060		9061...
	76.9117.05	OG5927	T-Litze Haupterd draht	T-Litz wire earthing		
	879008	OG5939	Kabel: COP20 - Schütze - STB	Cable: COP20 - Contactor - STB		
	879037	OG5923	Kabel: N - Trafo - P	Cable: N - Transformer - P		
	879009	OG5938	Kabel: Klemmen - Schütze	Cable: Terminals - Contactors		
	879095		Kabel: COP20 - Ventilator	Cable: COP20 - Ventilator		

