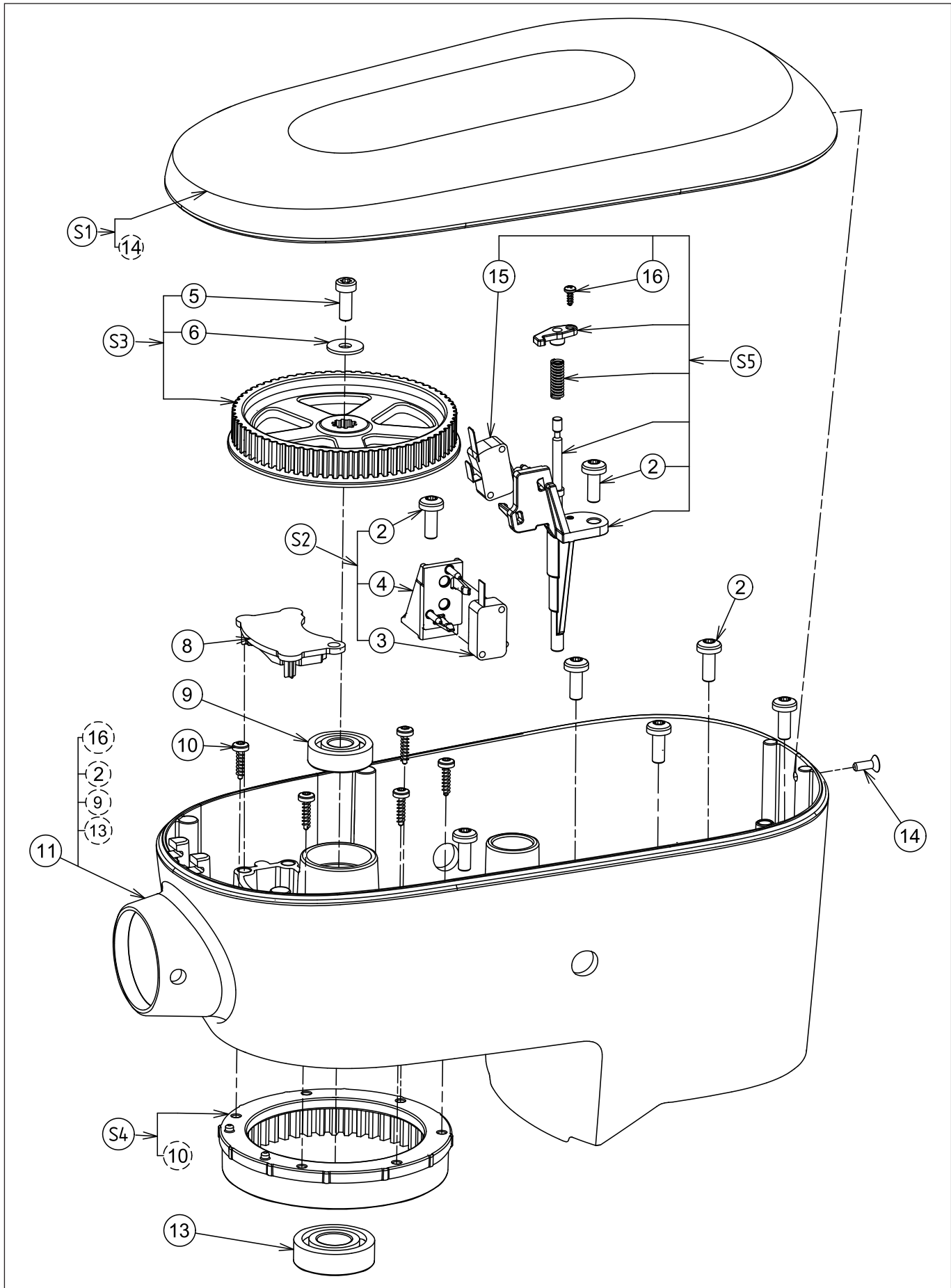


EMX5 - DMIX**Modules classifications**

A	BRAND DITO SAMA
B	BRAND ELECTROLUX
C	STANDARD PLUG
D	UK PLUG
E	WHITE
F	BLACK
G	ACCESSORY HUB
H	WITHOUT ACCESSORY HUB
I	AUSTRALIA PLUG

Pag.	Index
4	body
6	mechanism + hub
8	bowl, tools
10	motor
12	control board, base

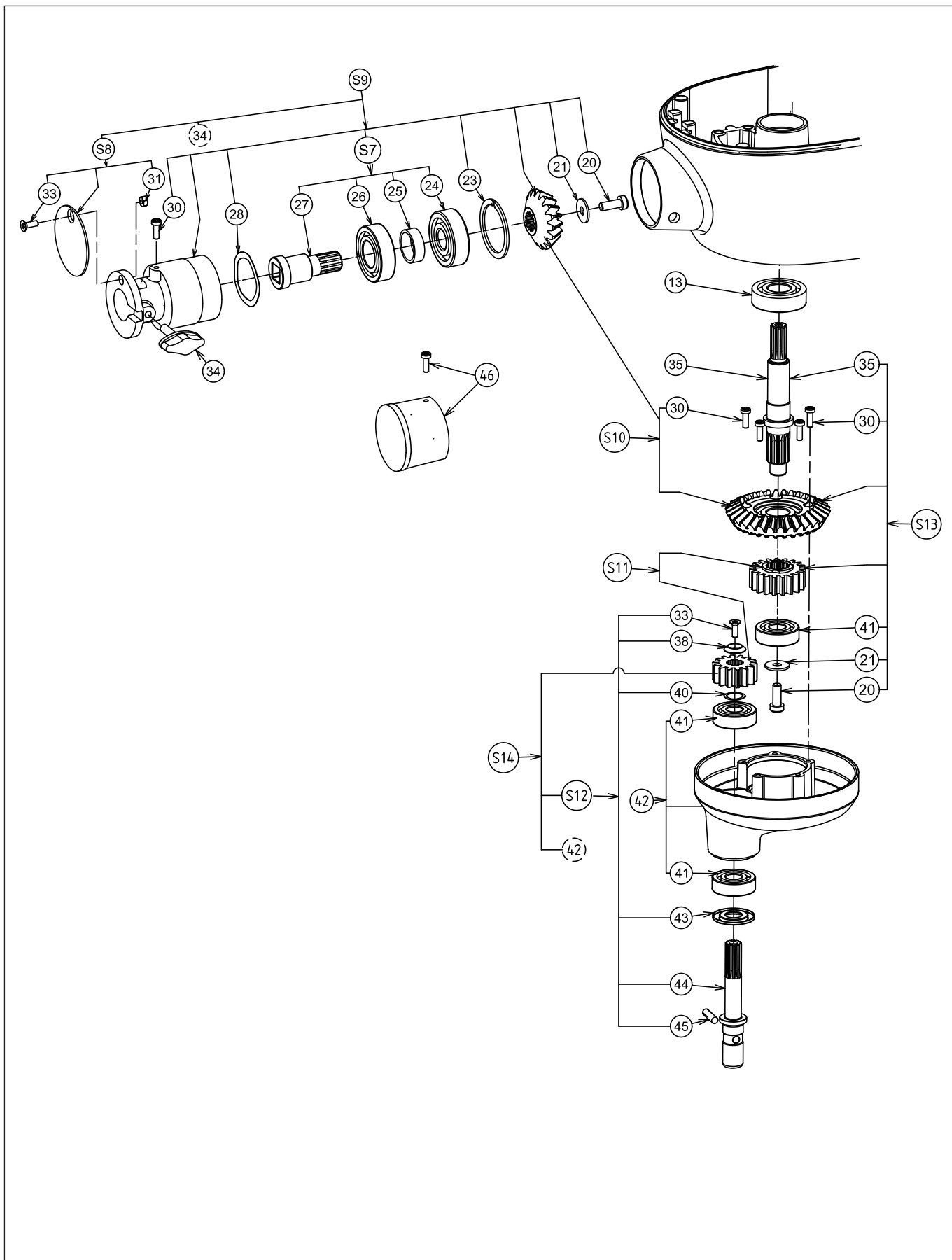
EMX5 - DMIX - Exploded view body



EMX5 - DMIX - Parts list body

Pos.	Code	Description	V	W&T	Modules	Notes	S/N break
2	0D3333	Screw (set x 10)					
3	0D7281	Microswitch	X				
4	0D7282	Microswitch base					
5	0D7277	M6x16 Screw (set x 10)					
6	0D2878	CS L6 Washer (set x 10)					
8	0D7278	Shutter					
9	0D7113	Bearing		X			
10	0D7279	Screw (set x 10)					
11	0D7387	White body assembly			E;		
11	0D8090	Black Body assembly			F;		
13	0D8256	Bearing		X			
14	0D7280	Screw (set x 10)					
15	0D7737	Microswitch bol	X				
16	0D2918	Screw PT WN 1442 (set x 10)					
S1	0D7371	Cover assembly	X				
S2	0D7256	Microswitch assembly					
S3	0D7257	Driven pulley		X			
S4	0D7259	Ring gear assembly		X			
S5	0D7736	Support microswitch bol assembly					

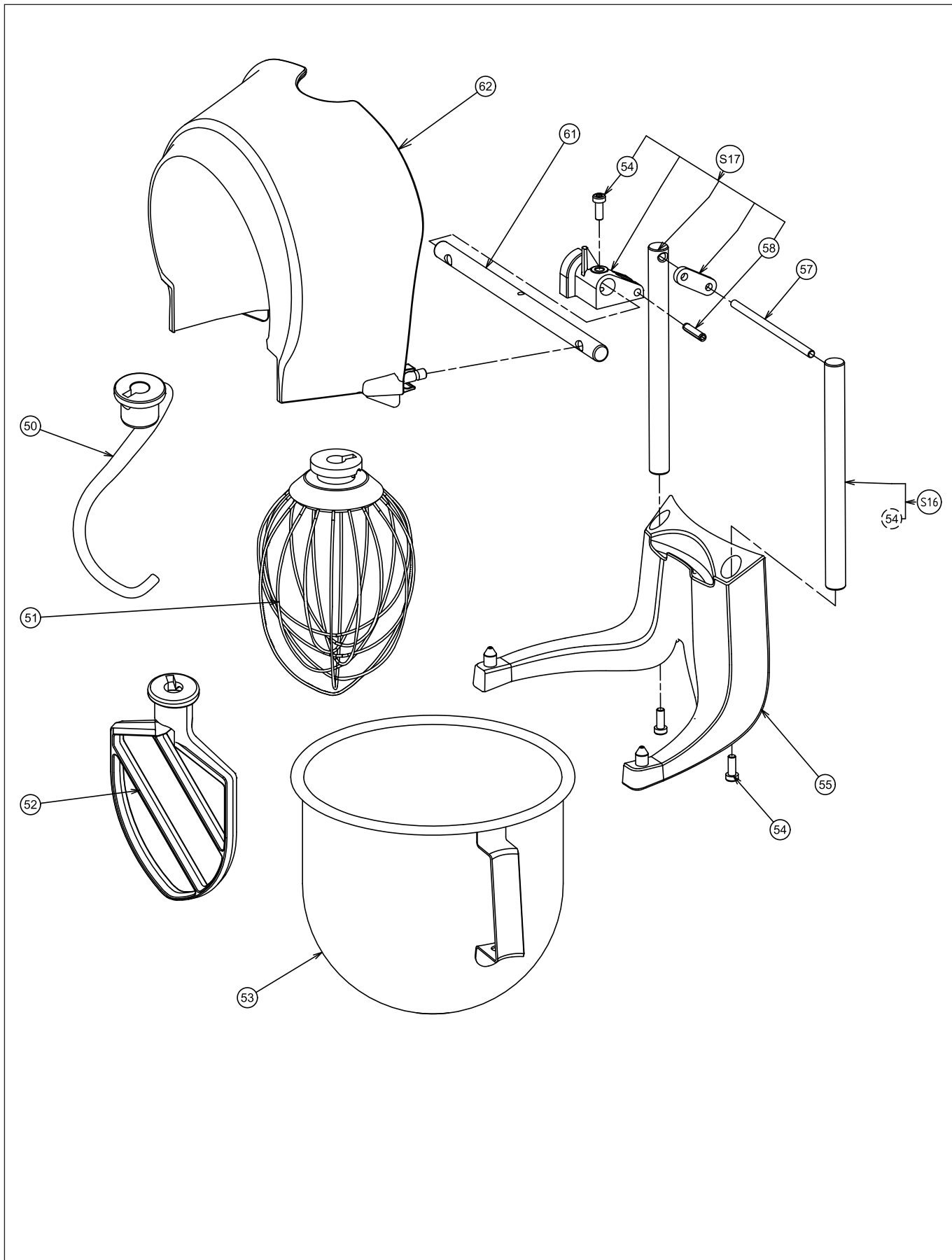
EMX5 - DMIX - Exploded view - Mechanism + Hub



EMX5 - DMIX - Parts list - Mechanism + Hub

Pos.	Code	Description	V	W&T	Modules	Notes	S/N break
13	0D8256	Bearing		X			
20	0D7277	CX M6x16 Screw (set x 10)					
21	0D2878	CS L6 Washer (set x 10)					
23	0D0496	Circlips (set x 10)					
24	0U0537	Bearing		X			
25	0D7283	Accessory socket spacer					
26	0U0367	Bearing		X			
27	0D7284	Accessory socket shaft					
28	0D7285	Washer (set x 10)					
30	0D7305	CX M4x12 screw (set x 10)					
31	0KL159	HU M4 Nut (set x 10)					
33	0D7280	Screw (set x 10)					
34	0D7299	M6x25 Button					
35	0D7266	Gear shaft		X			
38	0D7207	Washer					
40	0D7291	Washer (set x 10)					
41	0D7113	Bearing		X			
42	0D7265	Planetary		X			
43	0D7289	Washer protection					
44	0D7290	Tool holder shaft		X			
45	0D0396	Pin (set x 10)		X			
46	0DF033	Plug			H;		
S7	0D7329	Accessories hub shaft assembly					
S8	0D7260	Blank assembly					
S9	0D7261	Accessories hub assembly					
S10	0D7262	Pinion + wheel		X			
S11	0D7263	Sun wheel sprocket kit		X			
S12	0D7264	Tool holder shaft assembly		X			
S13	0D7330	Sun gear shaft assembly		X			
S14	0D7903	Planetary assembly					

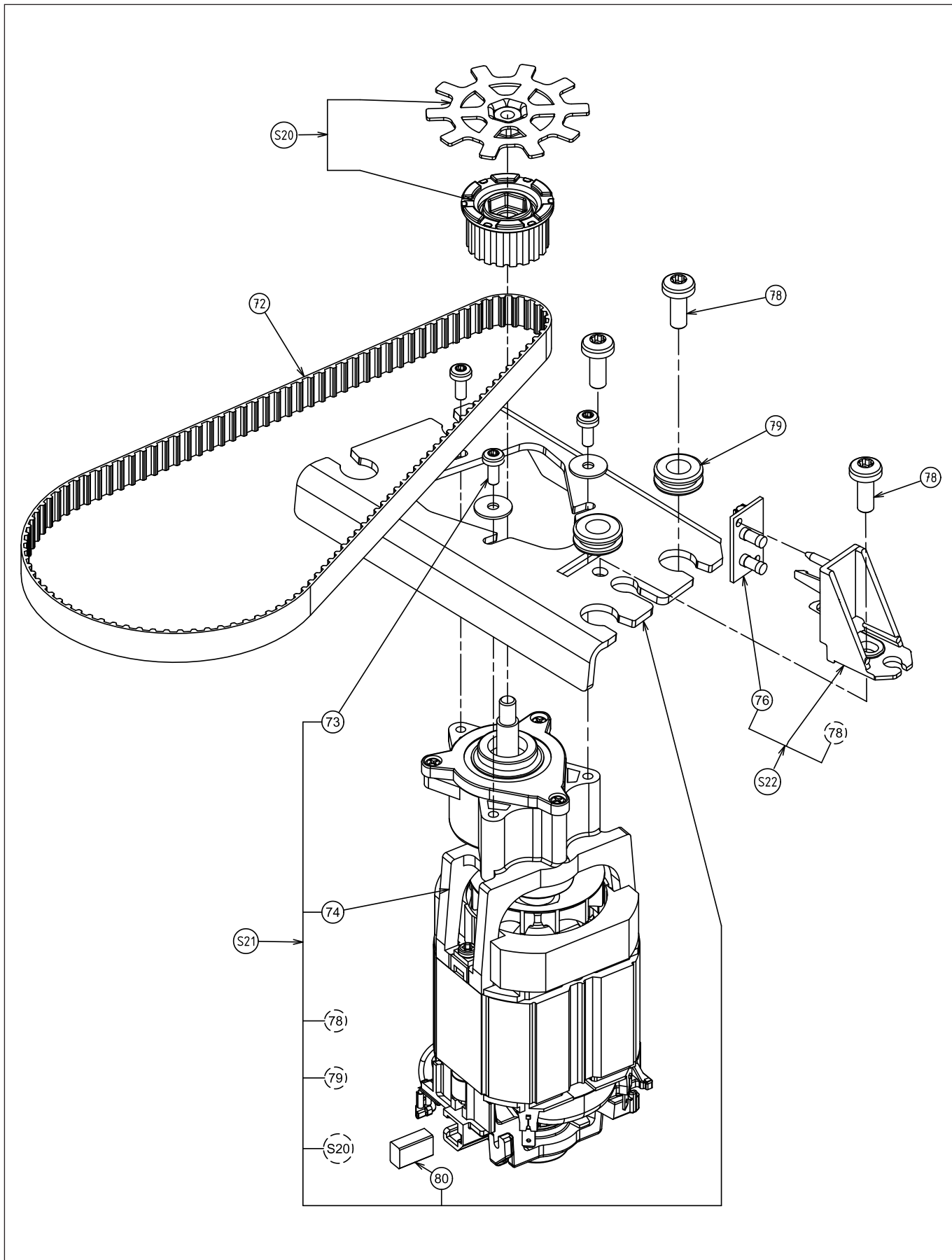
EMX5 - DMIX - Exploded view - Bowl lift



EMX5 - DMIX - Parts list - Bowl lift

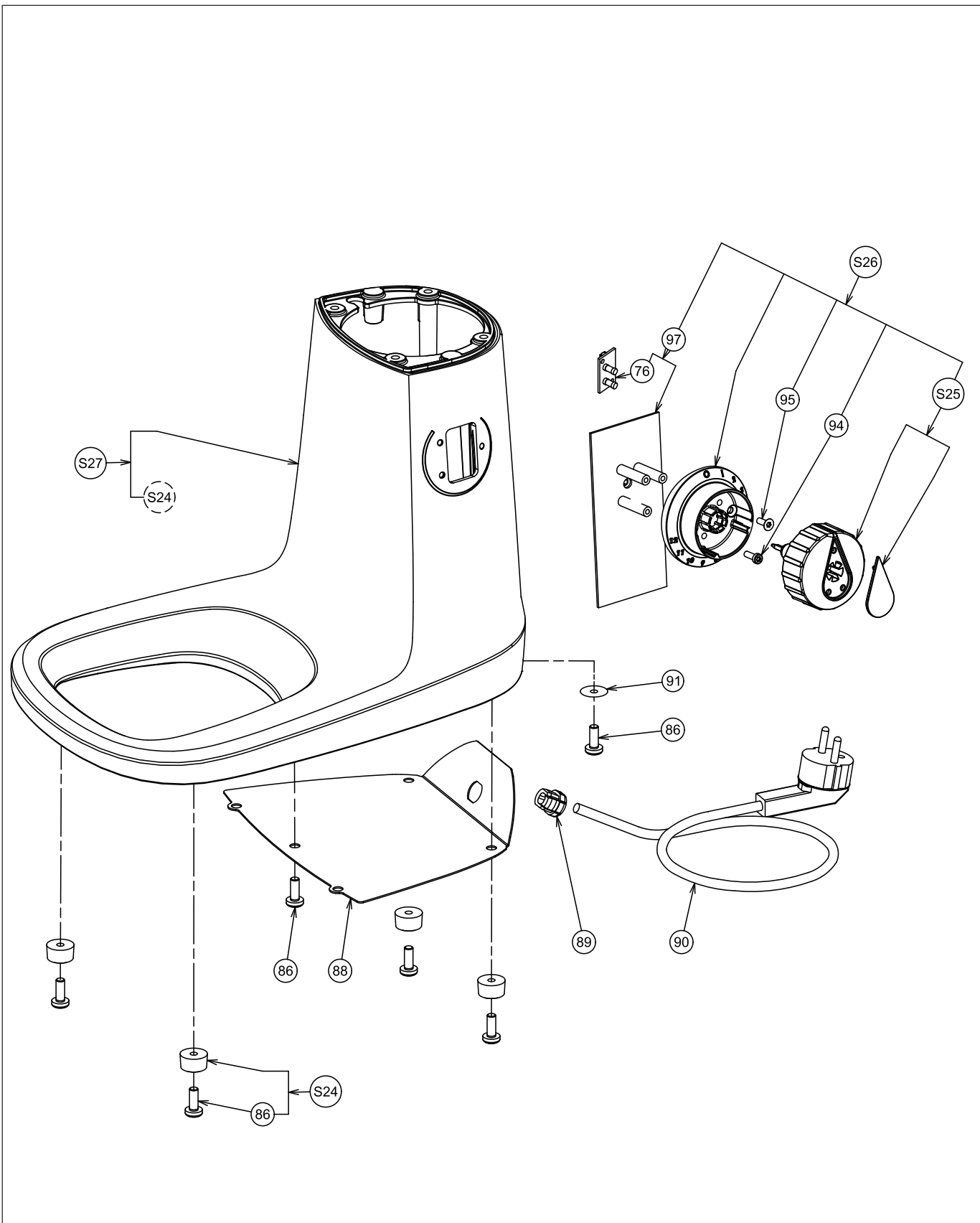
Pos.	Code	Description	V	W&T	Modules	Notes	S/N break
50	653755	Hook ss		X			
51	653757	Whisk ss		X			
52	653756	Paddle ss		X			
53	653754	Bowl		X			
54	0D7277	CX M6x16 screw (set x 10)					
55	0D7267	Cradle assembly					
57	0D7301	Spring spindle					
58	0D7302	Pin (set x 10)					
61	0D7322	Raise-lower					
62	0D7323	Screen	X	X			
S16	0D7268	Stand assemblies					
S17	0D7269	Cam assembly					

EMX5 - DMIX - Motor exploded view



EMX5 - DMIX - Motor Parts list

Pos.	Code	Description	V	W&T	Modules	Notes	S/N break
72	0KQ691	Drive belt	X	X			
73	0D6724	CX M4x10 Screw (set x 10)					
74	0D3409	Motor	X				
76	0D7324	Speed read	X				
78	0D3333	M6x16 Screw (set x 10)					
79	0D5592	Grommet (set x 10)					
80	0D0875	Driving coal (set x 2)		X			
S20	0D7270	Drive pulley assembly	X				
S21	0D7271	Compleat motor 200/240v	X				
S22	0D7272	Speed read assembly	X				



EMX5 - DMIX - Parts list control + base

Pos.	Code	Description	V	W&T	Modules	Notes	S/N break
86	0D3333	Screw (set x 10)					
88	0D7325	Base plate					
89	0D3566	Grommet (set x 5)					
90	0D3310	Power supply lead STD	X		C;		
90	0D5948	Power supply lead UK	X		D;		
90	0DF044	Power supply lead AUSTRALIA	X		I;		
91	0D0530	Washer (set x 10)					
94	0D7305	CX M4x12 Screw (set x 10)					
95	0D7280	Screw (set x 10)					
97	0D7327	Control card	X				
S24	0D7273	Rubber foot assembly		X			
S25	0D7274	Potentiometer knob assembly	X				
S26	0D7275	Complete potentiometer card	X				
S27	0D7402	White Base assembly			E;		
S27	0D8091	Black base assembly			F;		

CE