

**CPX**

---

<b>PNC</b>	<b>Model</b>	<b>Modules</b>	<b>Description</b>	<b>Note</b>
<b>601589</b>	CPX	<b>A</b>	BREAD SLICER - STAINLESS STEEL BODY - 230V 50HZ	
<b>603265</b>	CPX	<b>B</b>	BREAD SLICER - STAINLESS STEEL BODY - 230V 50HZ	

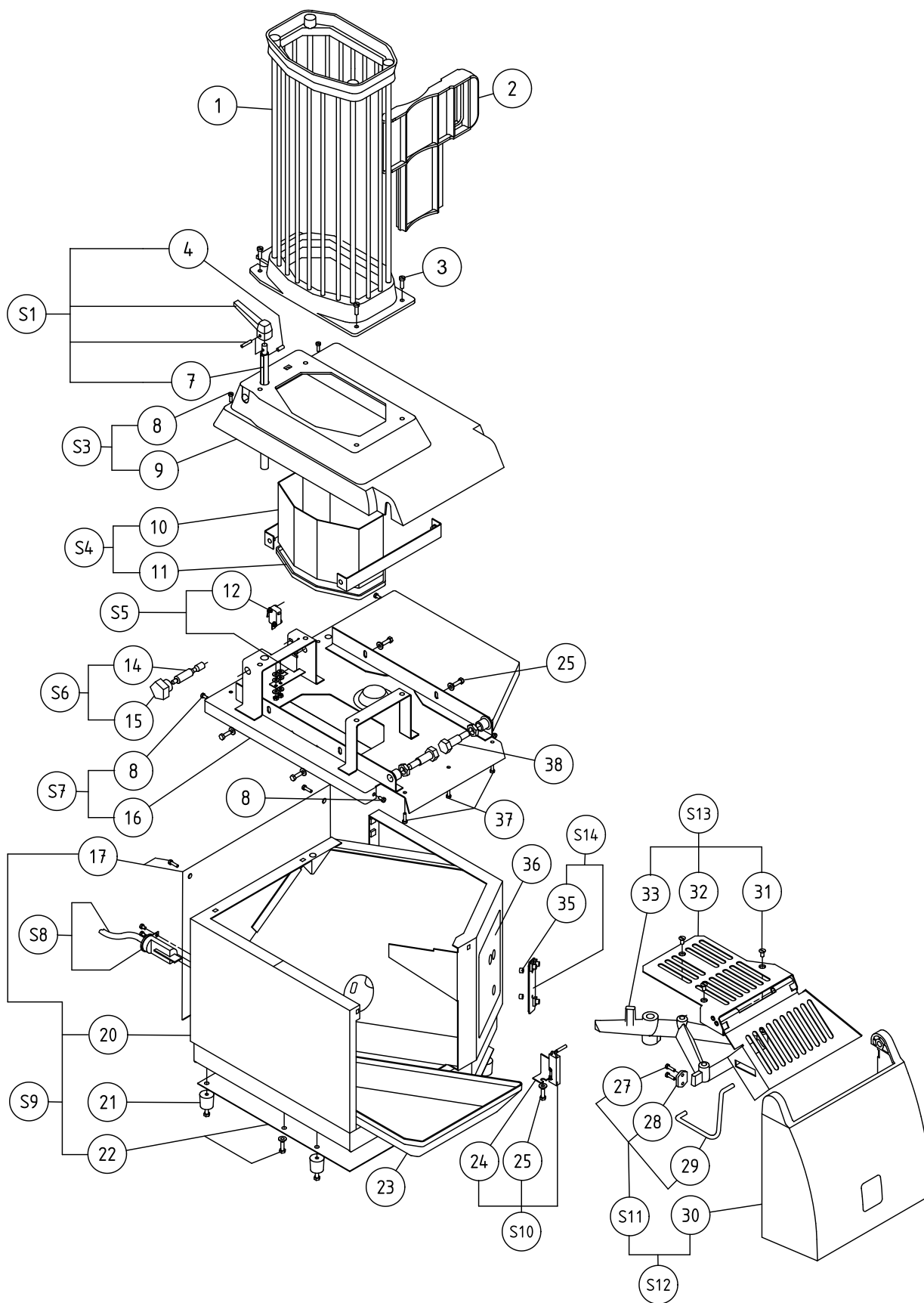


**CPX****Modules classifications**

<b>A</b>	DITO SAMA
<b>B</b>	ELECTROLUX PROFESSIONAL

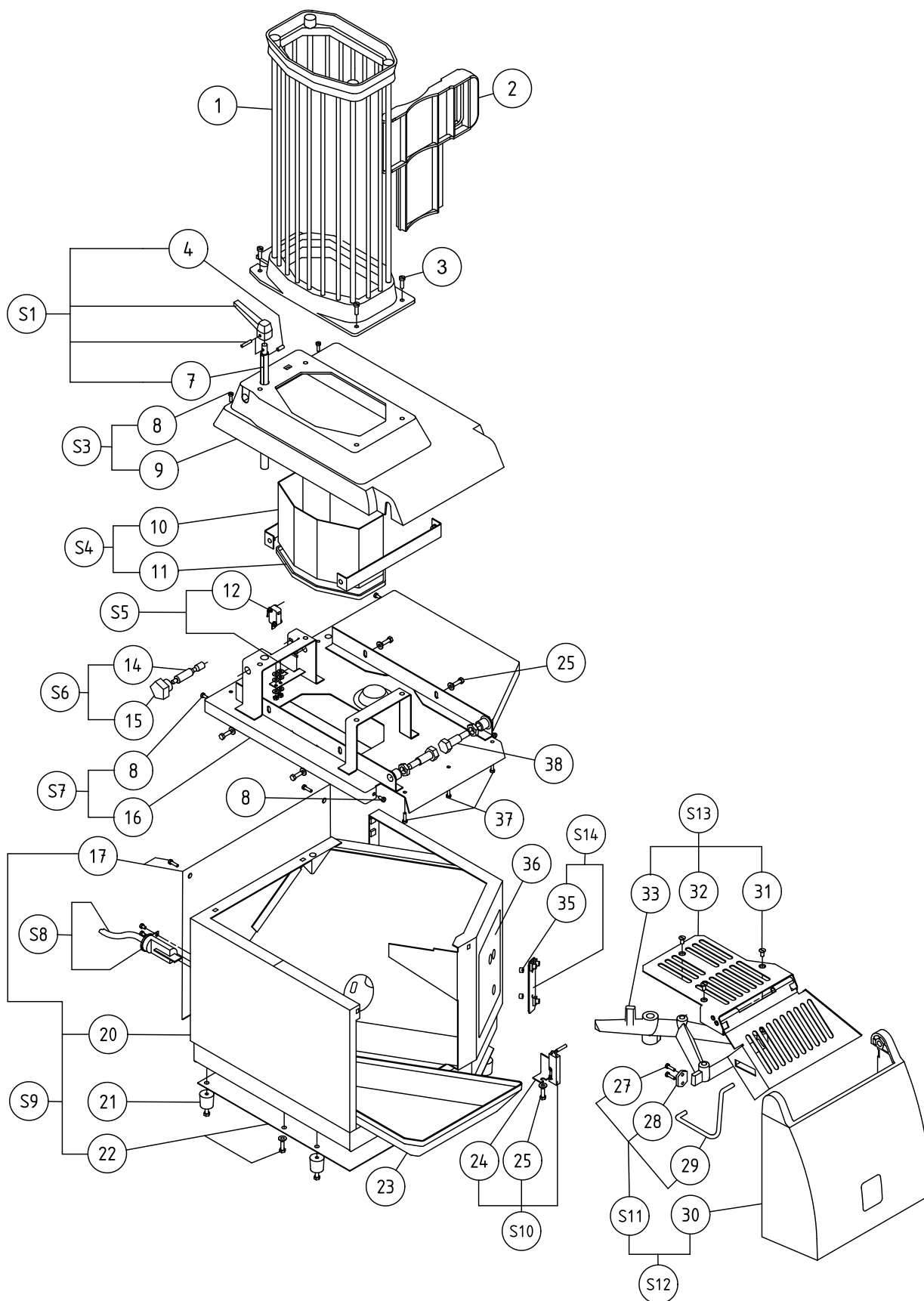
<b>Pag.</b>	<b>Index</b>
4	Exploded view - Casing
5	Parts list - Casing
8	Exploded view - Mechanism
9	Parts list - Mechanism
10	Exploded view - Electrical
11	Parts list - Electrical

CPX - Exploded view - Casing



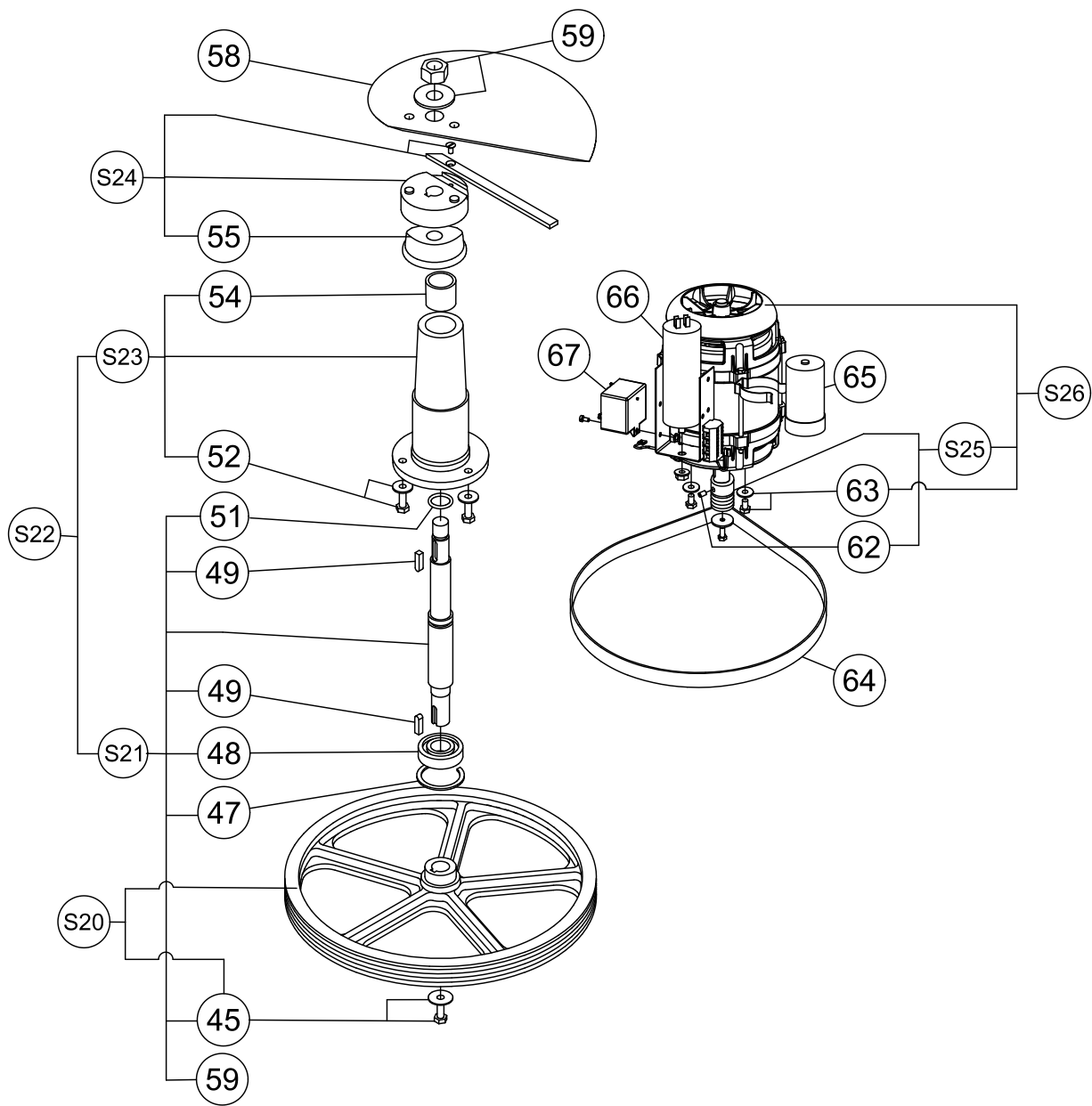
Pos.	Code	Description	V	W&T	Ref.	Notes	S/N break
1	0D1675	Feed chute					
2	0D0737	Separator					
3	0D3328	Screw TRL M5x16 stainless steel (set x 10)					
4	0U0502	Pin G05 5x12 (set x 5)					
7	0D2471	Knob					
8	0D0532	Screw TRL M4x12 stainless steel (set x 10)					
9	0D2472	Cover					
10	0D2473	Lower chute					
11	0D2702	Seal					
12	0D6617	Micro switch		X			
14	0D2474	Finger					
15	0U0476	Button					
16	0D2475	Upper plate					
17	0D5942	Rear plate assembly					
20	0D2481	Frame					
21	0KL061	Pad with screw (set x 4)					
22	0D5943	Base plate assembly					
23	0D2391	Drawer					
24	0D5388	Sensor support					
25	0D0506	Screw TH M5x12 stainless steel (set x 10)					
25	0D2297	Washer CS M5 (set x 10)					
27	0D1004	Screw pt wn 1442 k40/14 (set x 10)					
28	0D2479	Strap					
29	0D2479	Rod					
30	0D5944	Screen					
31	0KQ558	Screw F M5x10 (set x 10)					
32	0D2476	Guide with ramp					
33	0D2478	Stirrup					
35	0D5633	Fixing spacer (set x 10)					
36	0D5815	Brand plate					
37	0D1004	Screw pt wn 1442 k40/14 (set x 10)					
38	0D2482	Pivot assembly (set x 2)					

CPX - Exploded view - Casing



Pos.	Code	Description	V	W&T	Ref.	Notes	S/N break
S1	0D2471	Knob assembly					
S3	0D2472	Cover with fixings					
S4	0D2473	Lower chute assembly					
S5	0D0802	Micro switch assembly					
S6	0D2474	Locking button					
S7	0D2475	Upper panel assembly					
S8	0D2480	Power cable assembly		X			
S9	0D2481	Frame assembly					
S10	0D5388	Sensor assembly		X			
S11	0D2479	Rod assembly					
S12	0D0803	Screen assembly					
S13	0D2477	Complete adjustment guide					
S14	0D8050	Control board assembly	X				

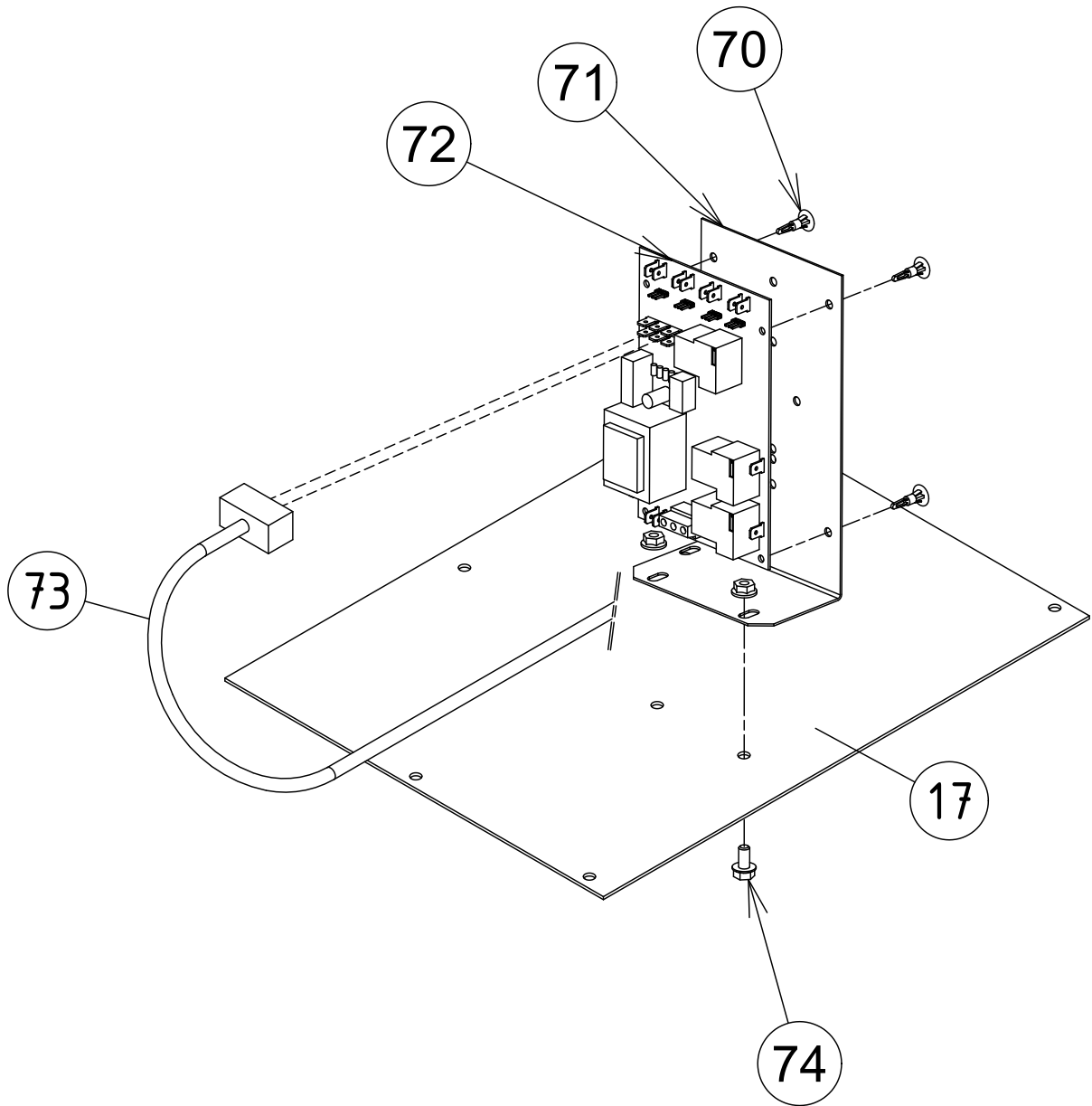
CPX - Exploded view - Mechanism





CPX - Parts list - Mechanism

Pos.	Code	Description	V	W&T	Ref.	Notes	S/N break
45	0D0499	Screw TH M6x16 stainless steel (set x 10)					
45	0D0627	Washer CL M6 (set x 10)					
47	0HD001	Circlips 40i (set x 10)					
48	0D8256	Bearing 6203 2RS		X			
49	0D1582	Cotterpin c5x5x19 (set x 5)					
51	0KQ575	O-ring 17.12x2.6 (set x 5)					
52	0KQ512	Screw TH M6x20 stainless steel (set x 10)					
52	0D0619	Washer CS L6 (set x 10)					
54	0HD004	Bushing 22x27x28		X			
55	0HD020	Deflector					
57	0D0662	Screw TF M4x8 stainless steel (set x 10)					
58	0KQ477	Blade					
59	0D0588	Locking nut M14 (set x 10)					
59	0D2264	Washer L14 (set x 10)					
62	0D2109	Screw SHC M5x8 (set x 10)					
63	0KQ494	Screw TH M6x10 stainless steel (set x 10)					
64	0KQ397	Poly V belt	X	X			
65	0U0471	Starter capacitor	X				
65	0U0242	Bracket					
66	0U0403	Permanent capacitor	X				
66	0D3590	HU 8 nut (set x 10)					
67	0D3329	Klixon 4CR2 692 230v	X				
67	0D0610	Screw TC M4x8 (set x 10)					
67	0D3065	HU 4 nut (set x 10)					
<b>S20</b>	0D2486	Driven pulley assembly		X			
<b>S21</b>	0D2485	Mechanism					
<b>S22</b>	0D2484	Bearing assembly					
<b>S23</b>	0D2483	Bearing only					
<b>S24</b>	0D0806	Ejector drive assembly					
<b>S25</b>	0D2487	Pulley with screws		X			
<b>S26</b>	0D5386	Motor assembly 230 50	X				



Pos.	Code	Description	V	W&T	Ref.	Notes	S/N break
17	0D5942	Rear plate assembly					
70	0D2848	PCB spacer (set x 6)					
71	0D5297	Component support					
72	0KQ429	Single phase power board	X				
73	0D5389	Power control cable					
74	0D3027	Screw TH M4x12 (set x 10)					

CE