

TBM150

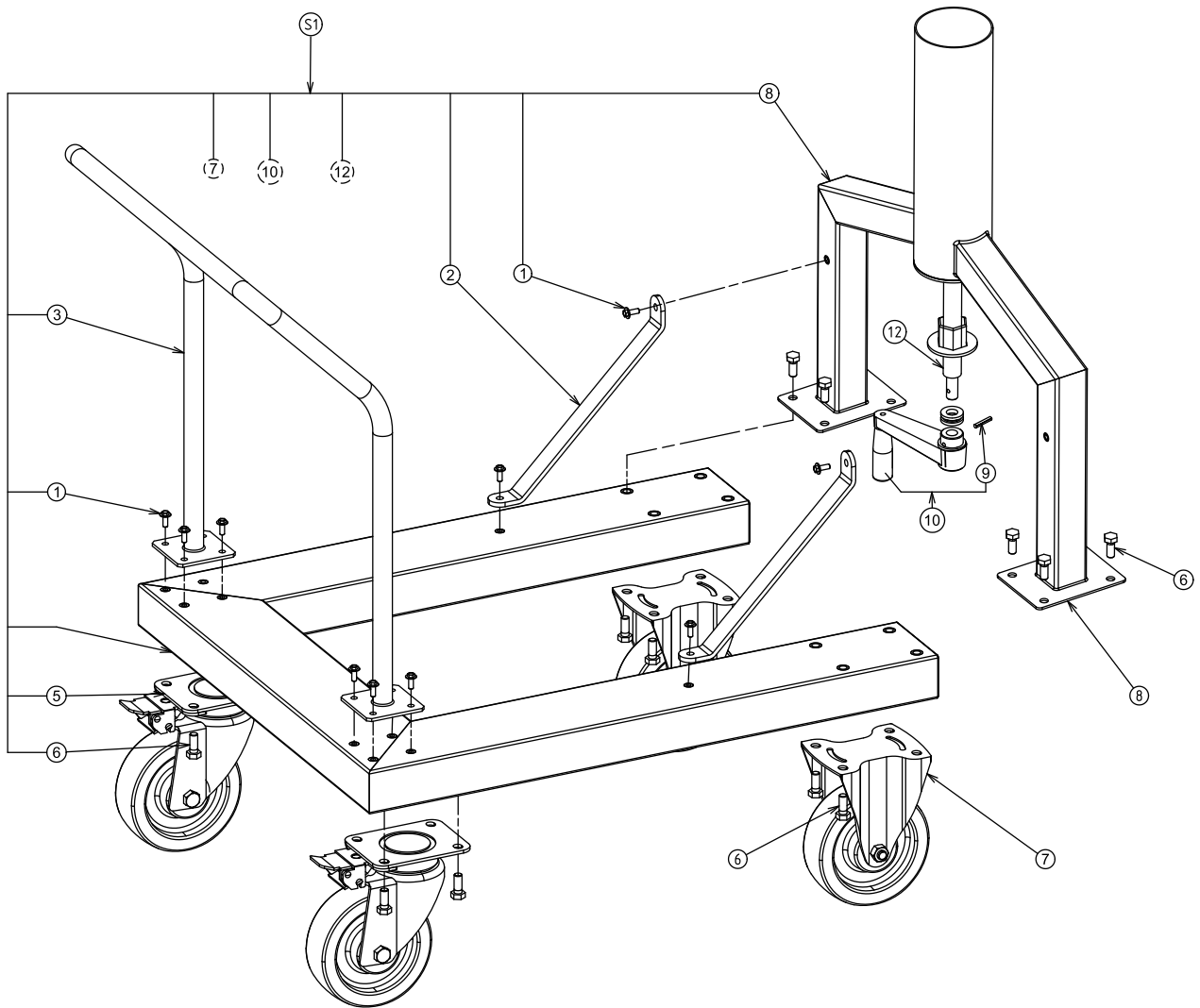
PNC	Model	Modules	Description	Note
602066	TBM150	B;C;E	TURBO LIQUIDISER - WITH MICRO LIQUIDISER - 1 SPEED - 3000W	
602067	TBM150	B;D;F	TURBO LIQUIDISER - WITH MICRO LIQUIDISER - 2 SPEED - 4500W	
603794	TBM150	A;C;E	TURBO LIQUIDISER - WITH MICRO LIQUIDISER - 1 SPEED - 3000W	
603795	TBM150	A;D;F	TURBO LIQUIDISER - WITH MICRO LIQUIDISER - 2 SPEED - 4500W	

TBM150**Modules classifications**

A	DITO SAMA
B	ELECTROLUX PROFESSIONAL
C	1 SPEED
D	2 SPEED
E	3000W
F	4500W

Pag.	Index
4	Exploded view - Trolley
5	Parts list - Trolley
6	Exploded view - Body
7	Parts list - Body
8	Exploded view - Housing
9	Parts list - Housing
10	Exploded view - Plunger
11	Parts list - Plunger
12	Exploded view - Micro liquidiser
13	Parts list - Micro liquidiser

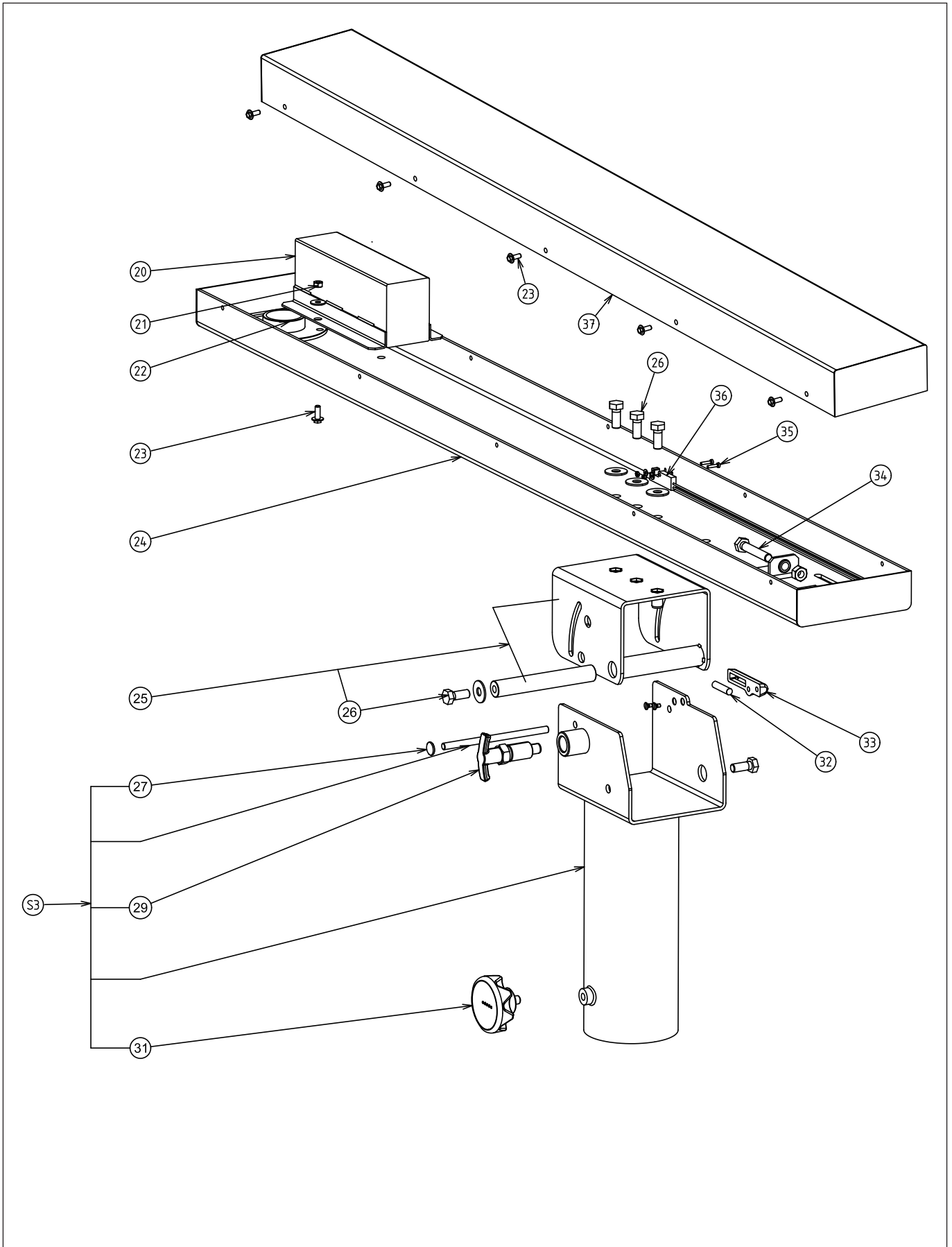
TBM150 - Exploded view - Trolley



TBM150 - Parts list - Trolley

Pos.	Code	Description	V	W&T	Ref.	Notes	S/N break
1	0D2901	Screw M6x16 (set x 10)					
2	0D6545	Column strengthener					
3	0D6548	Trolley Handle					
5	0D7539	Swivelling castor with brake		X			
6	0D6064	Screw TH M10x25 (set x 10)					
7	0D7540	Castor		X			
8	0D6551	Column					
9	0D6180	Pin G01 5x30 (set x 10)					
10	0D3959	Handle					
12	0D7541	Column screw assembly					
S1	0D7542	Column+trolley					

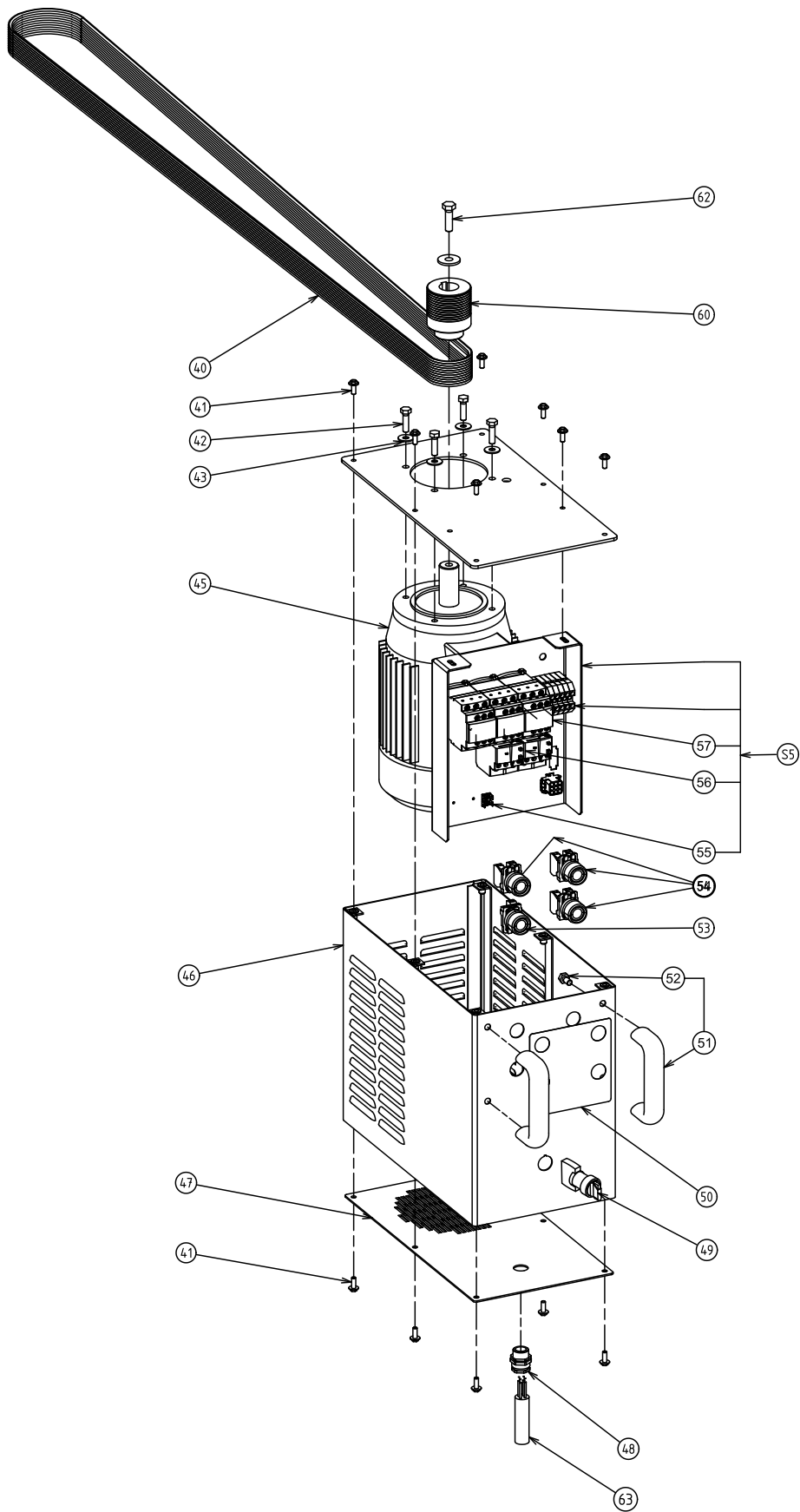
TBM150 - Exploded view - Body



TBM150 - Parts list - Body

Pos.	Code	Description	V	W&T	Ref.	Notes	S/N break
20	0D6541	Ballast block					
21	0D0503	Nut HU M6 (set x 10)					
22	0D7543	Flange					
22	0D7544	O-ring 63,22x1,78 (set x 10)					
23	0D2901	Screw M6x16 (set x 10)					
24	0D7545	Body					
25	0D7533	body support					
26	0D6064	Screw TH M10x25 (set x 10)					
26	0D2954	Washer L10 (set x 10)					
27	0D5290	Prong finisher (set x 10)					
29	0D7548	Handle					
31	0D7535	Column handle					
32	0KJ062	Magnet					
33	0D7546	Magnet support assembly					
33	0D6720	Screw TFH M4x10 (set x 10)					
34	0D2953	Screw TH M10x60 (set x 2)					
34	0D2958	Nut HU M10 (set x 10)					
35	0KQ511	Screw TC M3x16 (set x 10)					
35	0D7383	Nut HU M3 (set x 10)					
36	0D6673	Proximity detector		X			
37	0D7547	Top cover					
S3	0D7534	Column support assembly					

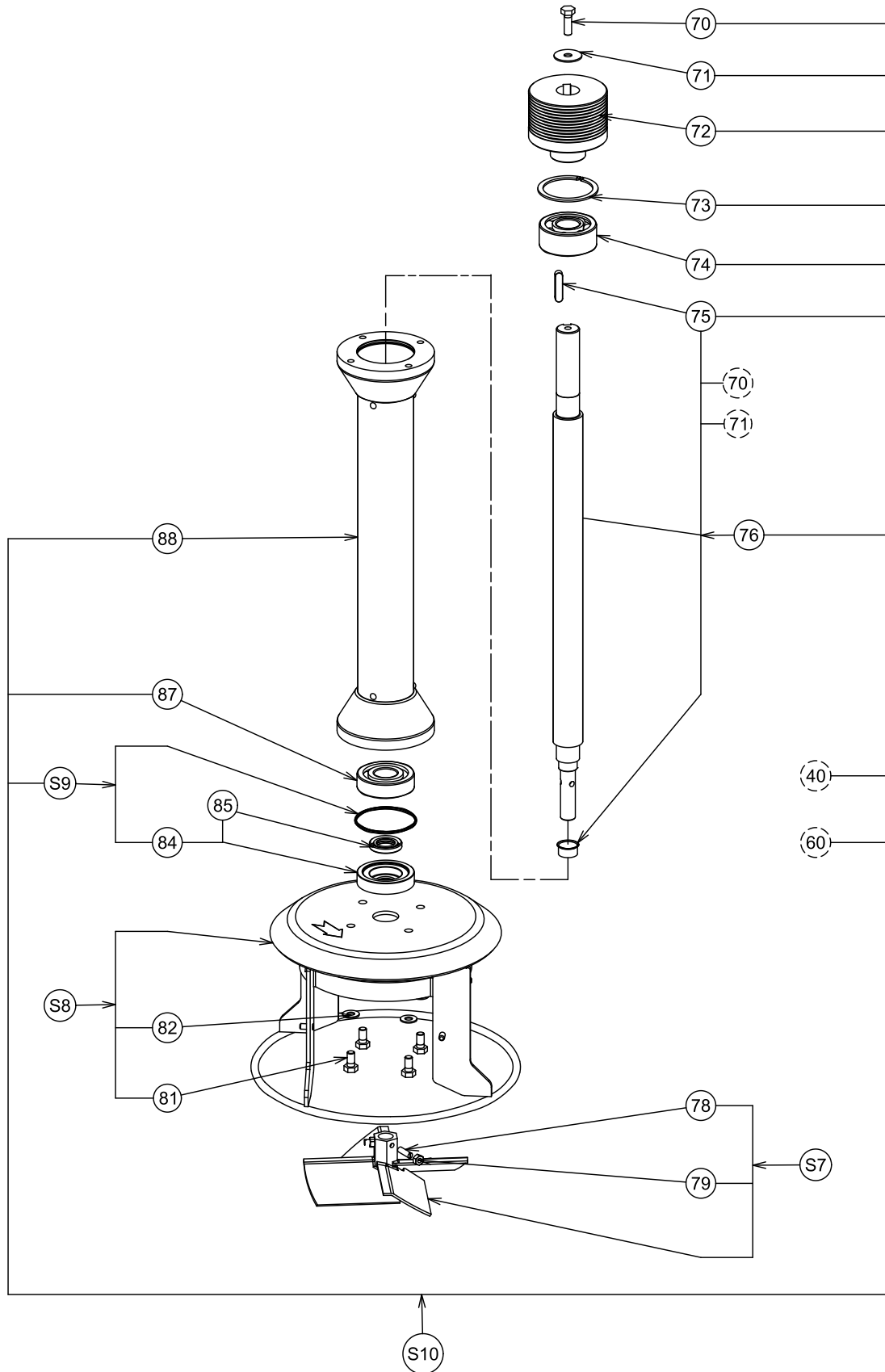
TBM150- Exploded view - Housing



TBM150 - Parts list - Housing

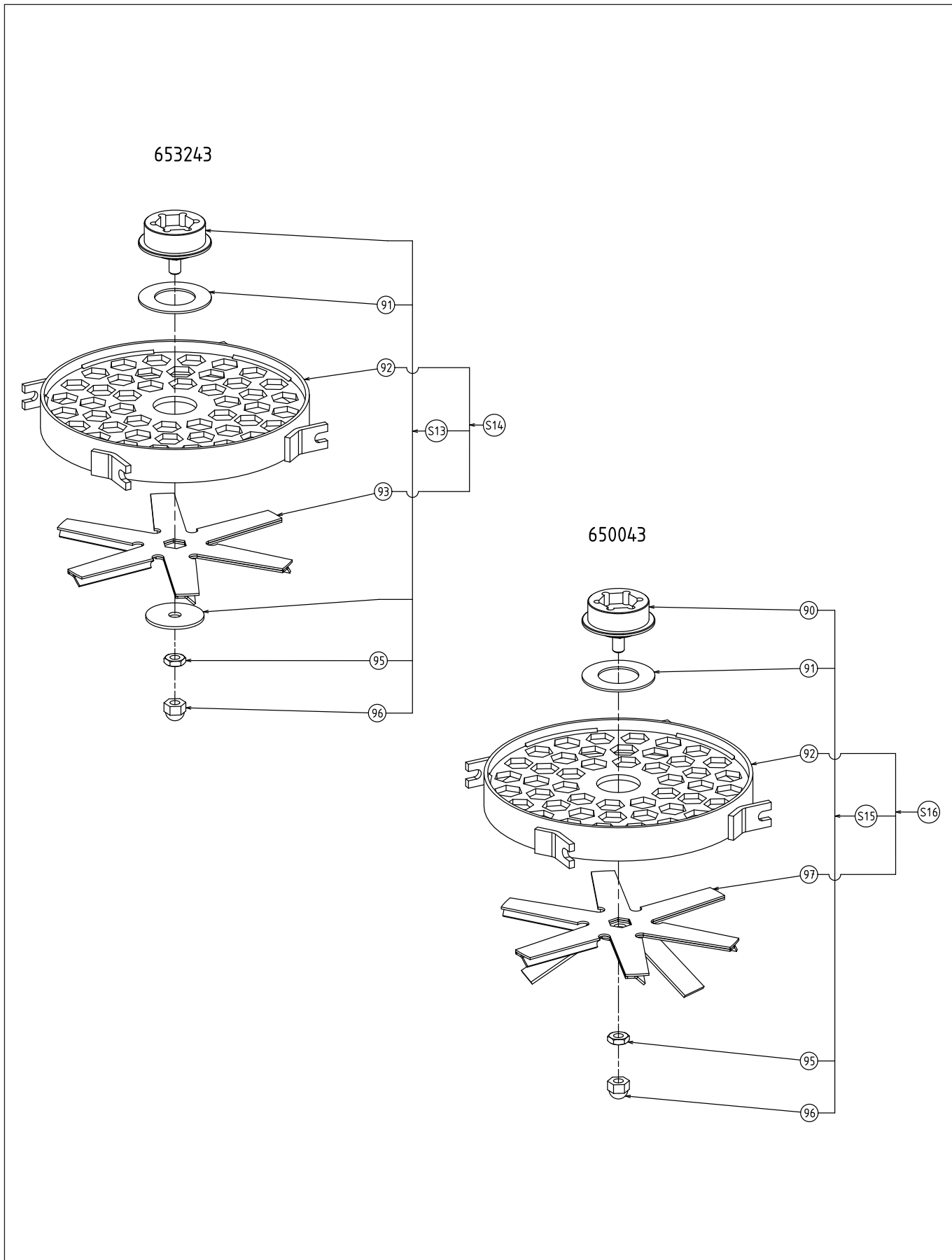
Pos.	Code	Description	V	W&T	Ref.	Notes	S/N break
40	0D7536	Belt	X	X			
41	0D2901	Screw (set x 10)					
42	0D2740	Screw TH M8x25 (set x 10)					
43	0D0632	Washer CS M8(set x 10)					
45	0D1828	Motor 3 230/400 1v	X		C;E		
45	0D6725	Motor 3 380/415 2v	X		D;F		
46	0D6543	Housing					
47	0D6544	Housing base plate					
48	0D2073	Stuffing gland assembly					
49	0KQ461	Mains switch	X				
50	0D7538	1-speed control panel plate			A;B;C		
50	0D7549	2-speed control panel plate			A;B;D		
51	0D0900	Handle					
52	0D0498	Screw TH M8x16 (set x 10)					
52	0D0632	Washer CS M8(set x 10)					
53	0D0364	Stop button	X				
54	0KJ038	Jog push button	X				
54	0KQ647	Jog push button 2v	X		D		
55	0D3567	Brass earth terminal (set x 5)					
56	0D7433	Thermal relay 1v	X		C		
56	0D7434	Thermal relay 2v	X		D		
57	0D7435	Contacto	X				
60	0D7552	Drive pulley 1v		X	C		
60	0D7553	Drive pulley 2v		X	D		
62	0D0596	Screw TH M10X35 (set x 10)					
63	0D8033	Std power cable					
S5	0D7550	Component support 1V assembly	X		C		
S5	0D7551	Component support 2V assembly	X		D		

TBM150 - Exploded view - Plunger



TBM150 - Parts list - Plunger

Pos.	Code	Description	V	W&T	Ref.	Notes	S/N break
70	0D2740	Screw TH M8x25 (set x 10)					
71	0D6275	Washer (set x 5)					
72	0D7554	Driven pulley 1v		X	C		
72	0D7555	Driven pulley 2v		X	D		
73	0U0717	Circlip 62i (set x 10)					
74	0D7557	Bearing 3305		X			
75	0KQ487	Key A 8x7x30 (set x 5)					
76	0D7537	Shaft					
78	0U0671	Screw STF M6x20 (set x 10)					
79	0D0503	Nut HU M6 (set x 10)					
81	0D0498	Screw TH M8x16 (set x 10)					
82	0D0632	Washer CS M8 (set x 10)					
84	0D7380	Bearing					
85	0D7494	Assembly lipped seal		X			
87	0D0808	Bearing 6305		X			
88	0D7558	Assembly plunger tube					
S7	0D1909	Assembly rotor					
S8	0D1815	Assembly stator					
S9	0D7556	Assembly bearing					
S10	0D7404	Assembly plunger 1v			C		
S10	0D7403	Assembly plunger 2v			D		



TBM150 - Parts list - Micro liquidiser

Pos.	Code	Description	V	W&T	Ref.	Notes	S/N break
91	0D8022	Washer					
92	0D8015	Masher		X			
93	0D8016	Soup blade		X			
95	0D0642	Nut M8 (set x 10)					
96	0D8012	Nut M8 (set x 10)					
97	0D8017	Fish blade		X			
S13	0D8013	Soup pin assembly					
S14	653243	Soup microliquidiser		X			
S15	0D8014	Fish pin assembly					
S16	650043	Fish microliquidiser		X			

CE