

XBE10

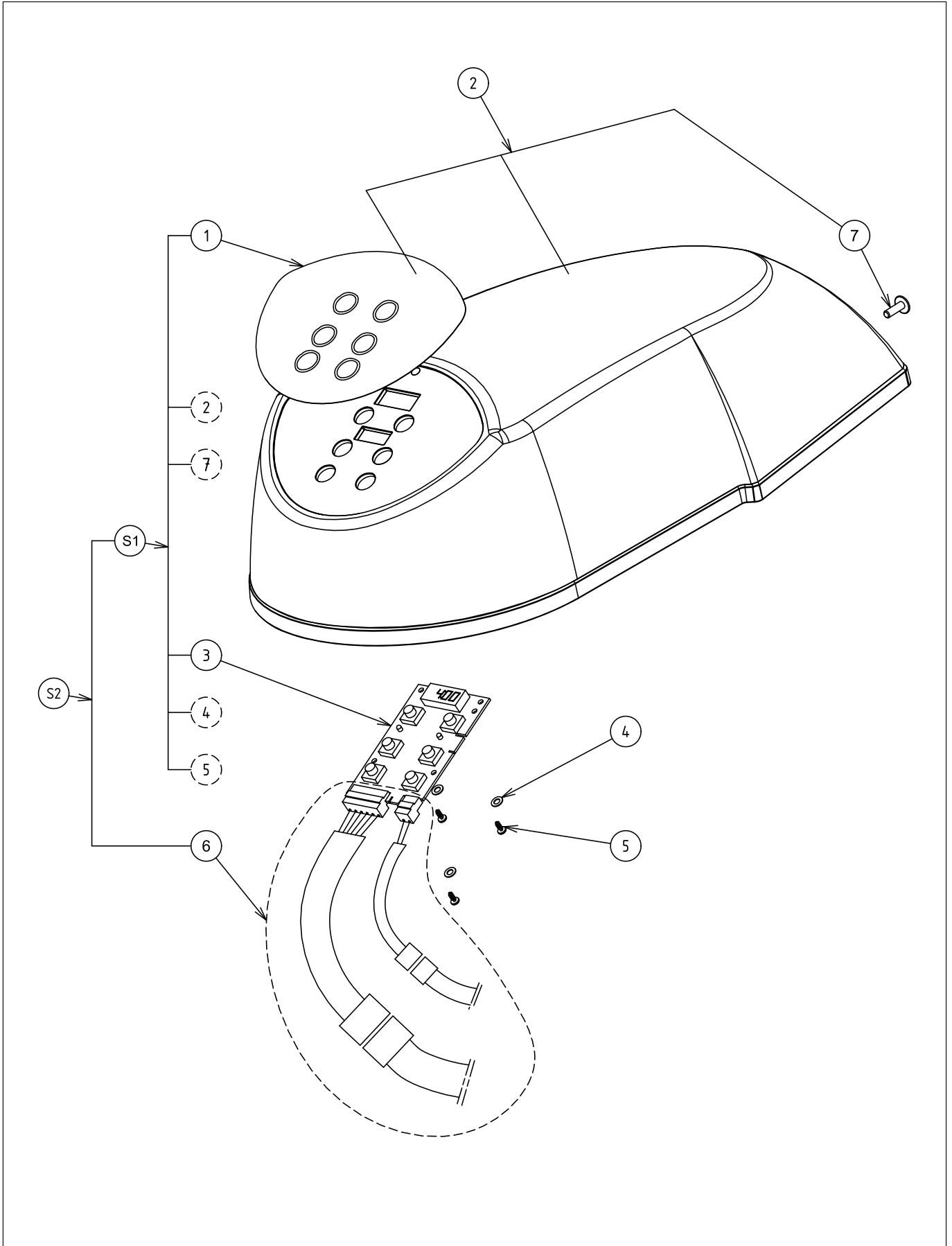
PNC	Model	Modules	Description	Note
600142	XBE10	A;D;E	PLANETARY MIXER ELECTRONIC 10L - VARAIABLE SPEED - WITHOUT ACCESSORY HUB	
600143	XBE10	A;C;E	PLANETARY MIXER ELECTRONIC 10L - VARAIABLE SPEED - ACCESSORY HUB	
600198	XBE10	B;D;E	PLANETARY MIXER ELECTRONIC 10L - VARAIABLE SPEED - WITHOUT ACCESSORY HUB	
600199	XBE10	B;C;E	PLANETARY MIXER ELECTRONIC 10L - VARAIABLE SPEED - ACCESSORY HUB	
600229	XBE10	B;C;F	PLANETARY MIXER ELECTRONIC 10L - VARAIABLE SPEED - ACCESSORY HUB - UK PLUG	

XBE10**Modules classifications**

A	DITO SAMA
B	ELECTROLUX PROFESSIONAL
C	ACCESSORY HUB
D	WITHOUT ACCESSORY HUB
E	CE SCHUKO
F	UK PLUG

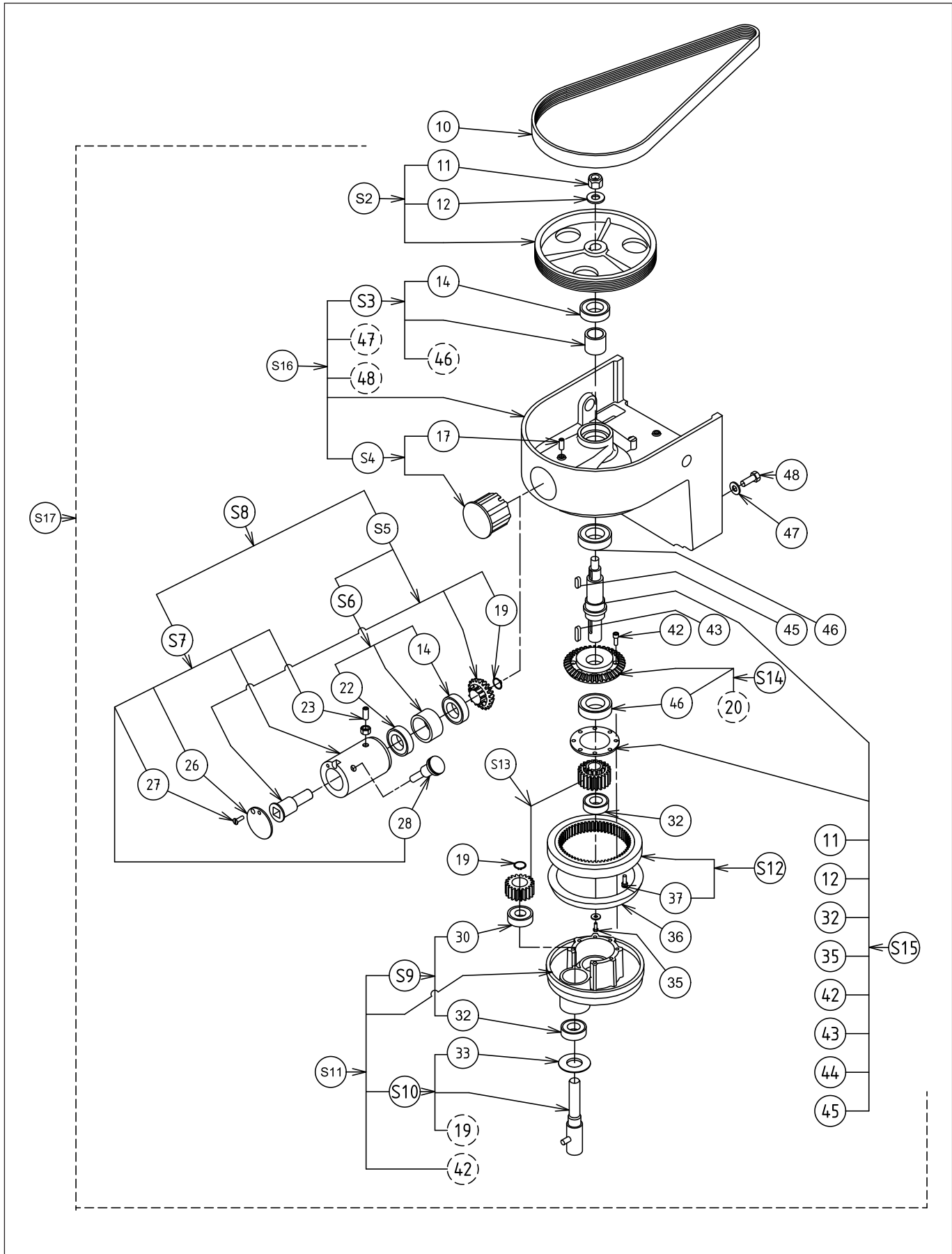
Pag.	Index
4	Exploded view - Hood
5	Parts list - Hood
6	Exploded view - Mechanism
7	Parts list - Mechanism
10	Exploded view - Cradle-Screen
11	Parts list - Cradle-Screen
12	Exploded view - Motor - Mounting Plate
13	Parts list - Motor - Mounting Plate
14	Exploded view - Cradle-Screen
15	Parts list - Cradle-Screen

XBE10 - Exploded view - Hood



Pos.	Code	Description	V	W&T	Ref.	Notes	S/N break
1	0DF174	Tactile label		X	A		
1	0DF175	Tactile label		X	B		
2	0D7712	Standard hood					
3	0D5322	Tactile timer card assembly	X				
4	0D5137	5x10x1 M4 washer (set x 10)					
5	0D2918	1442 K30/8 PTWN screw (set x 10)					
6	0D5323	Complete STD wiring					
7	0D3328	M5x16 TRL screw (set x 10)					
S1	0D7708	Assembly STD tactile hood					
S2	0D7709	Complete STD tactile hood					

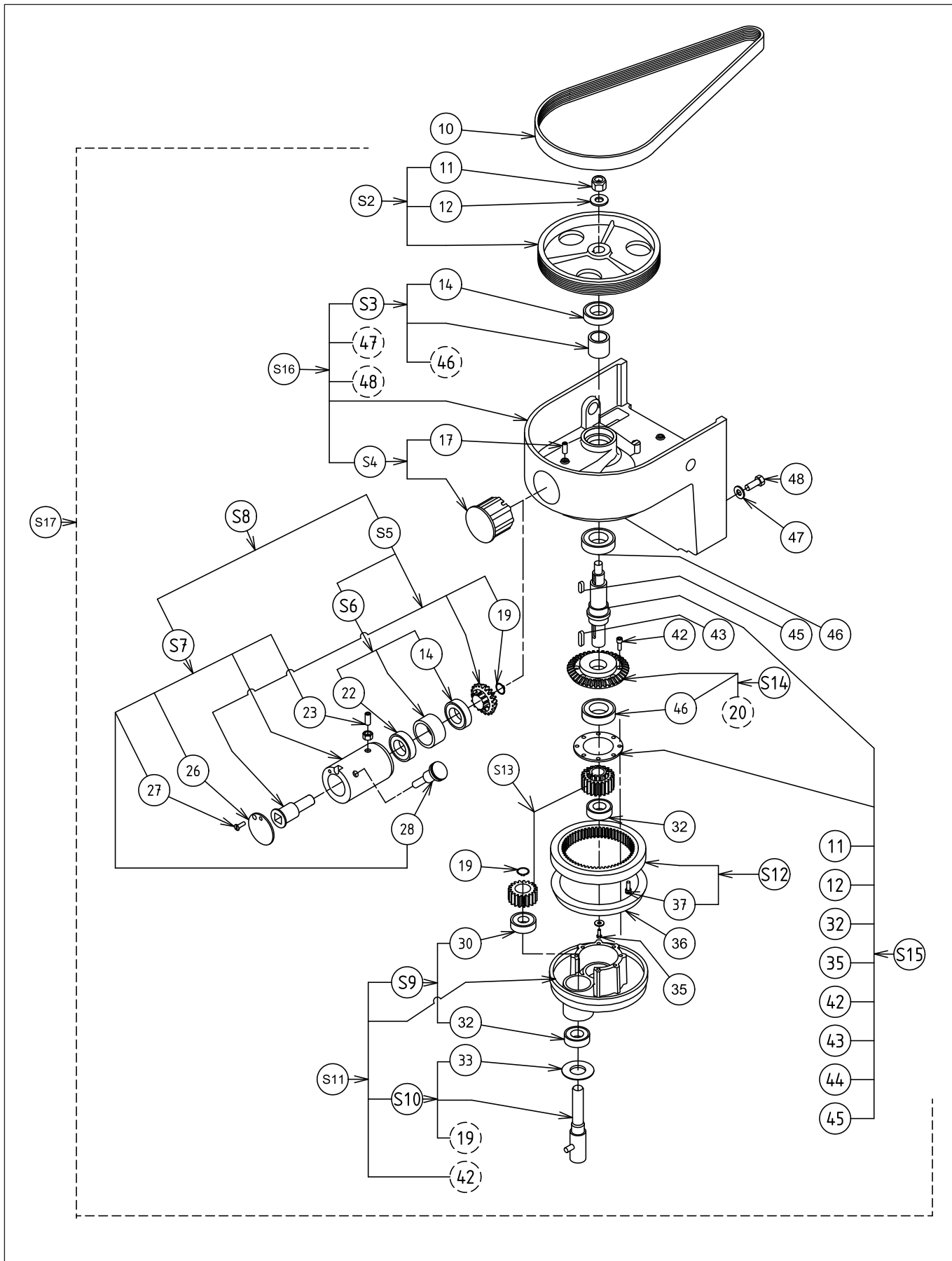
XBE10 - Exploded view - Mechanism



XBE10 - Parts list - Mechanism

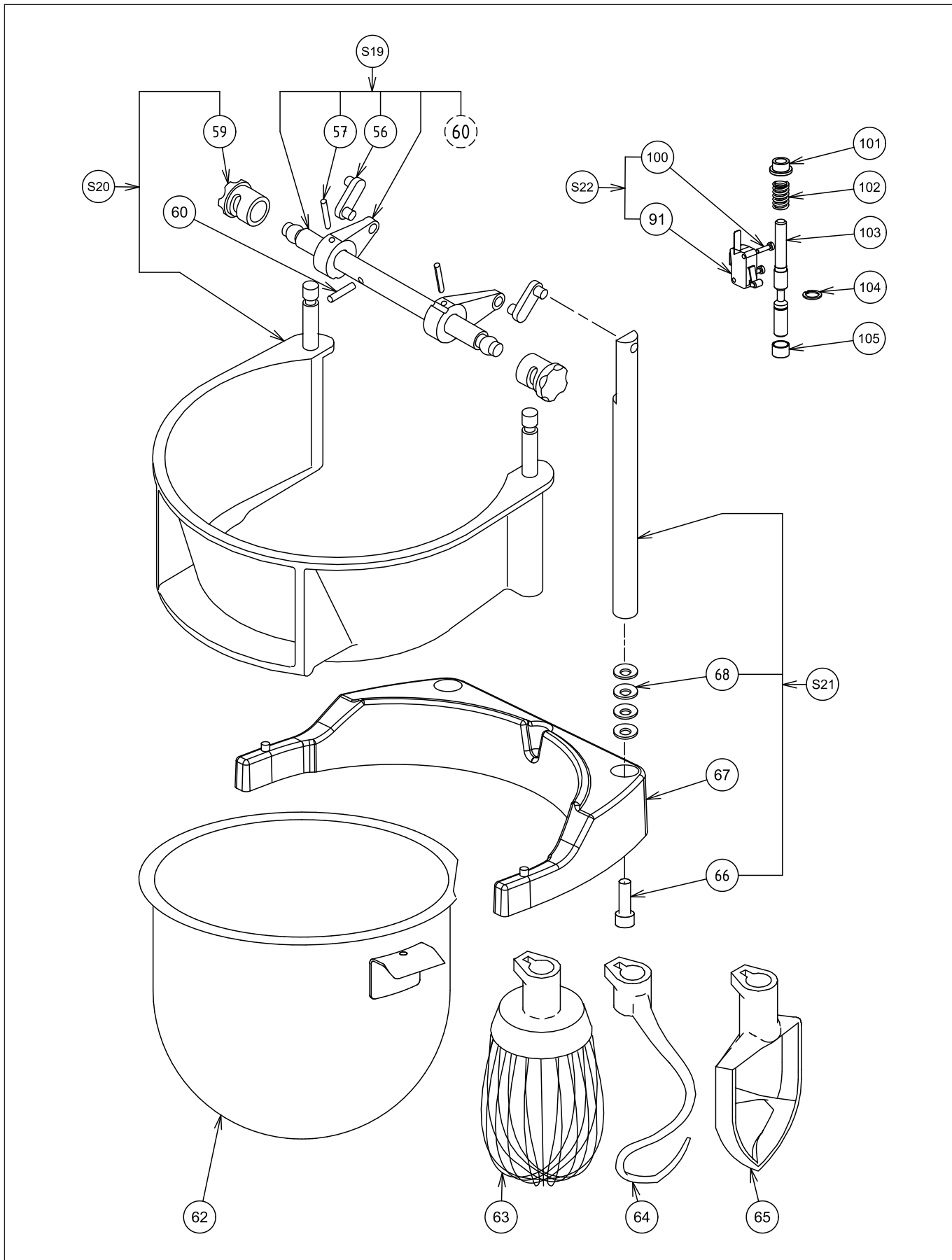
Pos.	Code	Description	V	W&T	Ref.	Notes	S/N break
10	0KQ397	Drive belt	X	X			
11	0D0587	M12 lock nut (set x 10)					
12	0D5484	LL 12 washer (set x 10)					
14	0KQ350	6005 2RS bearing		X			
17	0D2320	M6x10 SHC screw (set x 10)					
19	0D0639	17E circlip (set x 10)					
22	0KI590	6303 2RS1 bearing		X			
23	0D2256	M6x16 SHC bead screw (set x 10)					
23	0D0503	M6 stainless steel HU nut (set x 10)					
26	0D1052	Accessories hub cover assembly			C		
27	0D0643	M4x10 stainless steel TF screw (set x 10)			C		
28	0KQ334	M10x30 stainless steel thumbscrew					
30	0KJ007	6203 2RS bearing		X			
32	0U0367	6004 2RS bearing		X			
33	0D0954	Protective washer (set x 2)					
34	0KJ739	Go 8x34 stainless steel pin (set x 10)	X	X			
35	0KQ494	M6x12 stainless steel TH screw (set x 10)					
35	0D0620	24x6.2x2 washer (set x 10)					
36	0D0716	Planetary gear seal					
37	0D0502	M5x20 TCHC screw (set x 10)					
42	0D2322	M5x16 TCHC screw (set x 10)					
43	0KQ486	6x6x30 A key (set x 10)					
45	0HD008	5x5x20 A key (set x 5)					
46	0KT993	6006 2RS bearing		X			
47	0U0660	W8 washer (set x 10)					
48	0D0507	M8x20 stainless steel TH screw (set x 10)					
S2	0D2444	Driven pulley assembly		X			
S3	0D2442	Set of sun gear shaft bearing		X			
S4	0D2443	Plug with screw fastenings			D		
S5	0KX279	Accessories hub shaft assembly			C		
S6	0KQ455	Accessories hub bearing with spacer			C		
S7	0D2441	Accessories shaft barrel assembly			C		
S8	0D0766	Complete accessories hub			C		
S9	0D2440	Tool holder shaft bearing (set x 2)		X			

XBE10 - Exploded view - Mechanism



Pos.	Code	Description	V	W&T	Ref.	Notes	S/N break
S10	0U0691	Tool holder shaft assembly	X	X			
S11	0U0692	Planetary gear holder assembly					
S12	0KL046	Crown gear assembly					
S13	0KL047	Set planetary gears					
S14	0KL045	Set bevel gears					
S15	0D0767	Sun gear shaft assembly					
S16	0D2430	Bare hammered head					
S17	0D2445	Complete hammered head without accessories shaft					
S17	0D2446	Complete hammered head with accessories shaft					

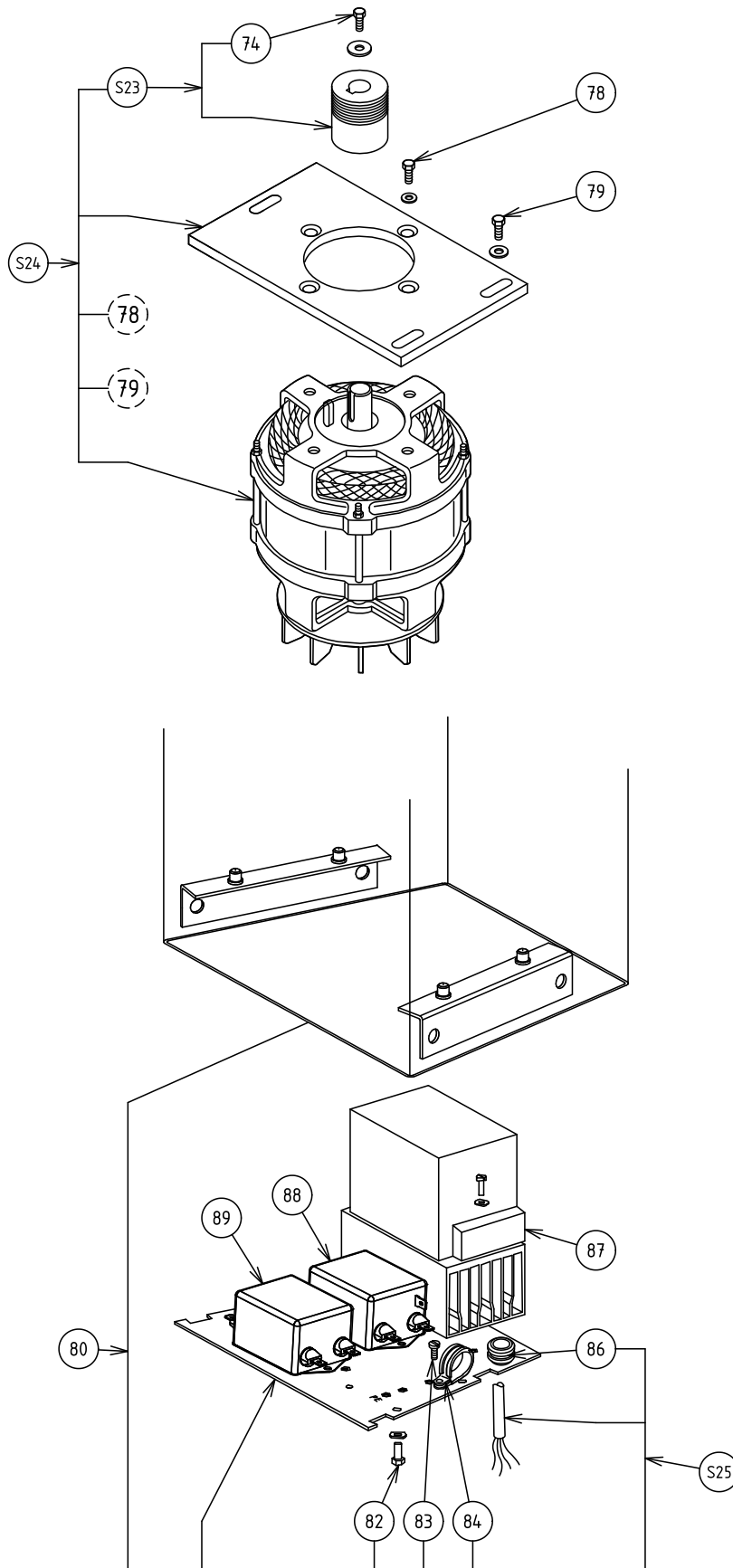
XBE10 - Exploded view - Cradle-Screen



XBE10 - Parts list - Cradle-Screen

Pos.	Code	Description	V	W&T	Ref.	Notes	S/N break
56	0KL277	Connecting link (set x 2)					
57	0D2290	5x35 Mécanindus pin 5x35 (set x10)					
59	0KQ453	Left/right screen handles					
60	0D2247	G05 8x40 pin (set x 10)					
62	653276	Bowl		X			
63	653269	Whisk		X			
64	653268	Hook		X			
65	653267	Paddle		X			
66	0D1660	M8x25 TCHC screw (set x 10)					
67	0D2692	Cradle					
68	0D5485	L 8 spring washer (set x 10)					
91	0D6662	Micro-switch	X				
91	0U0268	Insulating plate					
100	0D06008	M3x16 stainless TC screw (set x 10)					
101	0D7795	8x12x12 bearing bushing (set x 5)					
102	0KQ353	Spring					
103	0D7796	Spindle					
104	0D6569	10E circlip (set x 10)					
105	0D7794	10x12x10 bearing bushing					
S19	0D2447	Complete raise and lower spindle					
S20	0KQ454	Protective screen assembly	X	X			
S21	0D1671	Uprights assembly (set x 2)					
S22	0D7743	Micro-switch assembly	X				

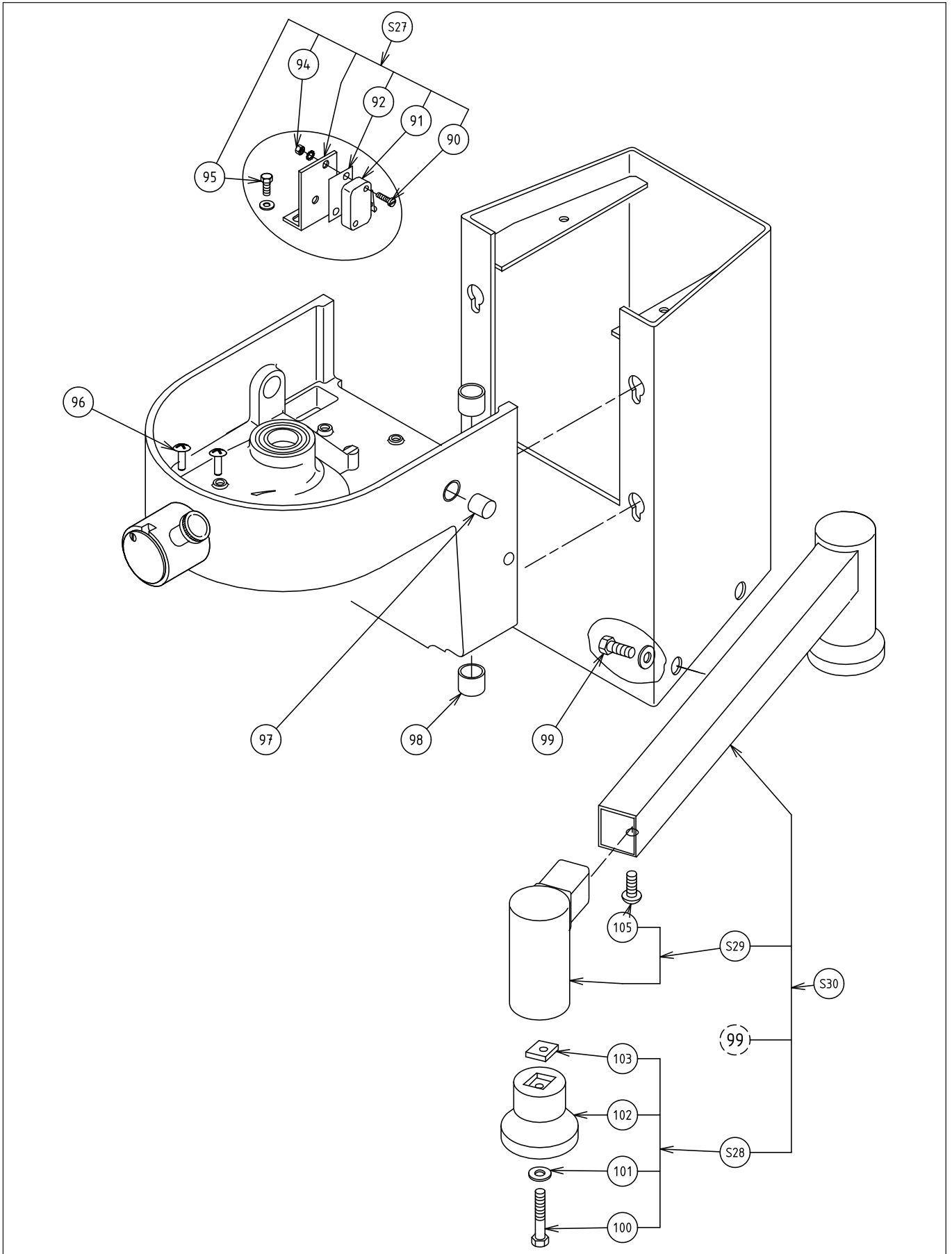
XBE10 - Exploded view - Motor - Mounting Plate



XBE10 - Parts list - Motor - Mounting Plate

Pos.	Code	Description	V	W&T	Ref.	Notes	S/N break
74	0D2942	M5x20 stainless steel TH screw (set x 10)					
78	0D0499	M6x16 stainless steel TH screw (set x 10)					
78	0D0619	L6 CS washer (set x 10)					
79	0D0498	M8x16 stainless steel TH screw (set x 10)					
79	0D0632	CS M8 CS washer (set x 10)					
80	0D2651	Column assembly					
82	0D0506	M5x12 stainless steel TH screw (set x 10)					
82	0D2297	M5 stainless steel CS washer (set x 10)					
83	0D6724	CX 4x10 Taptite screw (set x 10)					
84	0D6040	CV 8 clamp (set x 10)					
86	0D1014	9,5x13x3 grommet (set x 10)					
87	0D5324	230V frequency changer	X				
88	0D7805	Filter					
89	0D7793	Filter					
S23	0D2452	Driven pulley with theaded fasteners		X			
S24	0D5328	230V 50-60HZ motor assembly	X				
S25	0D2448	Single phase power supply lead assembly			E		
S25	0D2449	GB single phase power supply lead assembly			F		

XBE10 - Exploded view - Column - foot



Pos.	Code	Description	V	W&T	Ref.	Notes	S/N break
90	0D0608	Screw M3x20 stainless steel (set x 10)					
90	033986	Washer M3 (set x 10)					
91	0D6662	Micro switch	X				
92	0U0268	Insulating plate					
94	0D2877	Washer (set x 10)					
94	033987	Nut M3 (set x 10)					
95	0D0537	Screw TH M5x10 (set x 10)					
95	0D2297	Washer M5 CS (set x 10)					
96	0U0237	Screw TRL M6x20 (set x 10)					
96	0D0590	Nut HM M6 (set x 10)					
97	0U0451	18x20x15 bearing bushing		X			
98	0D5486	20x23x20 bearing bushing (set x 2)		X			
99	0D0507	Screw TH M8x20 (set x 10)					
99	0D0632	Washer M8 CS (set x 10)					
100	0D0558	Screw TH M 6x20 (set x 10)					
101	0D0620	Washer 24x6.2x2 (set x 10)					
102	0D3740	Shoe		X			
103	0D0589	Square nut (set x 10)					
105	0D5487	Self-tapping screw (set x 10)					
S27	0KQ452	Microswitch assembly	X				
S28	0U0695	Set of shoe assembly					
S29	0U0696	Foot end assembly					
S30	0D0769	Complete stainless steel left foot					
S30	0D0770	Complete stainless steel right foot					

CE