

XBM10

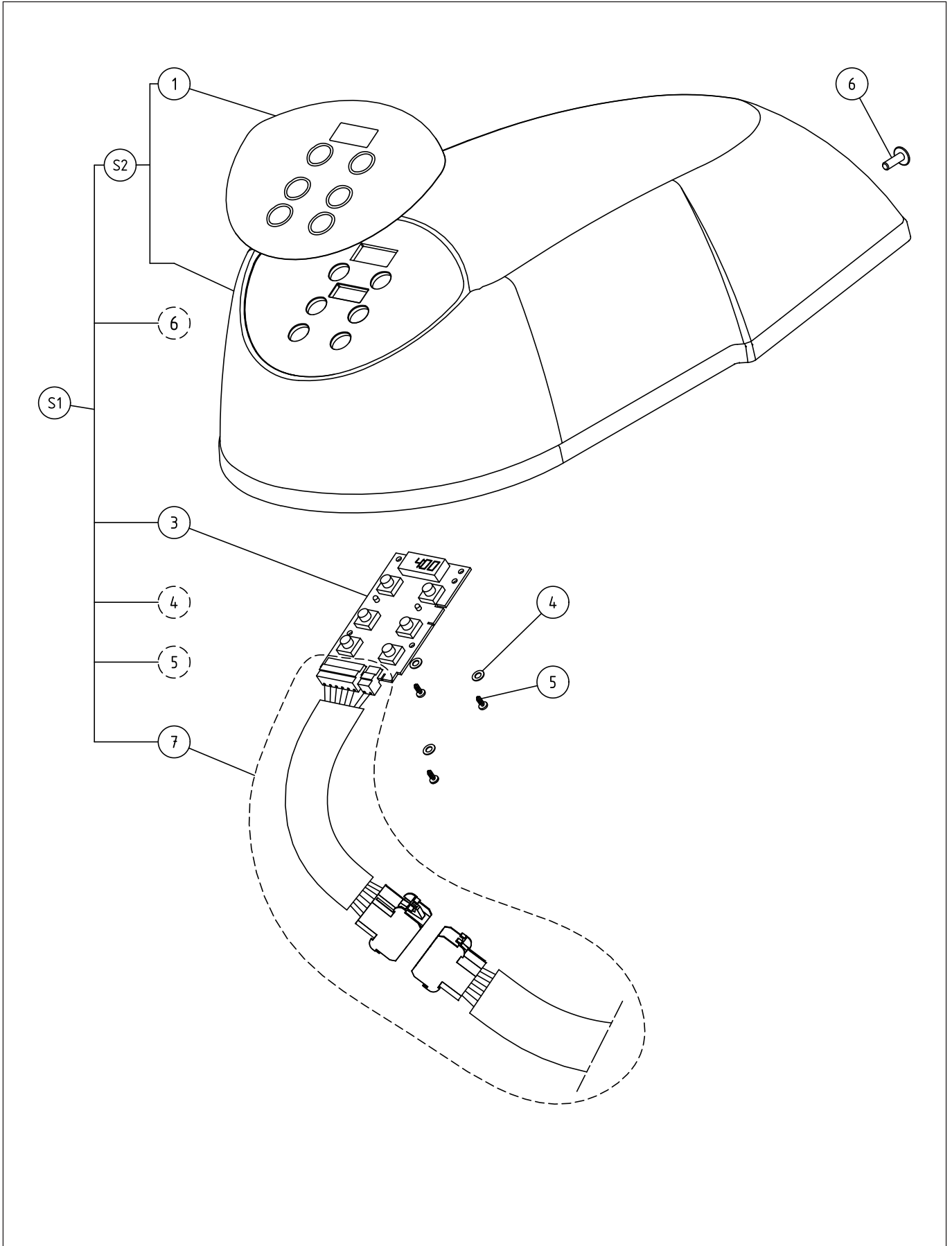
PNC	Model	Modules	Description	Note
600141	XBM10S	A;C	PLANETARY MIXER 10L - MECHANICAL VARIABLE SPEED	
600230	XBM10S	B;C	PLANETARY MIXER 10L - MECHANICAL VARIABLE SPEED	

XBM10**Modules classifications**

A	DITO SAMA
B	ELECTROLUX PROFESSIONAL
C	3 380-415

Pag.	Index
4	Exploded view - Hood
5	Parts list - Hood
6	Exploded view - gear shifting
7	Parts list - gear shifting
8	Exploded view - Motor - Mounting - Plate
9	Parts list - Motor - Mounting - Plate
10	Exploded view - Column - Foot
11	Parts list - Column - Foot
14	Exploded view - Mechanism
15	Parts list - Mechanism
18	Exploded view - Cradle - Screen
19	Parts list - Cradle - Screen

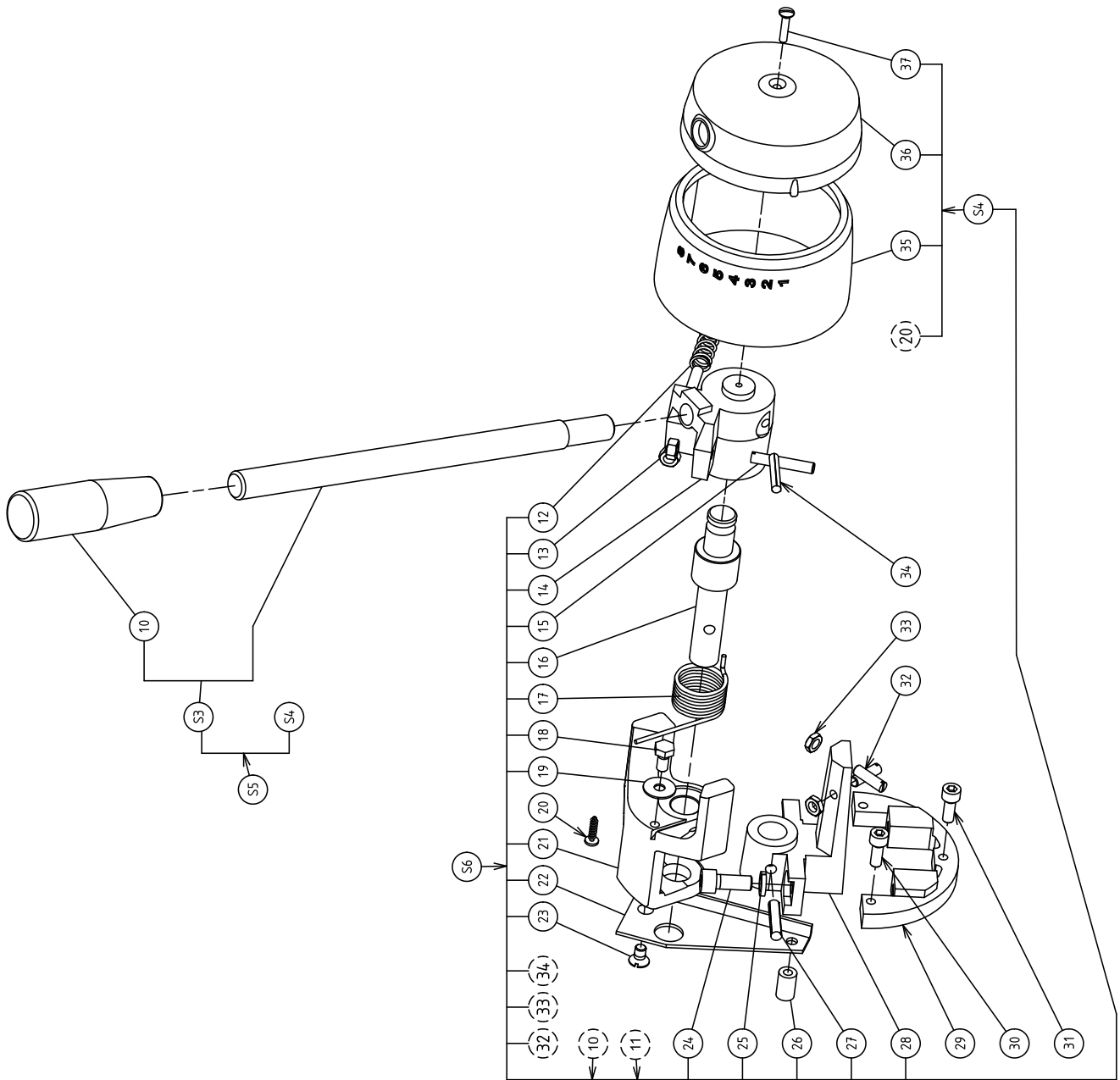
XBM10 - Exploded view - Hood



XBM10 - Parts list - Hood

Pos.	Code	Description	V	W&T	Ref.	Notes	S/N break
1	0DF139	Tactile label		X	B		
1	0DF140	Tactile label		X	A		
3	0D5619	2 v timer card	X				
4	0D5137	Washer M4 PE (set x 10)					
5	0D2918	Screw PTWN 1442 (set x 10)					
6	0D3328	Screw TRL M5x16 stainless steel (set x 10)					
7	0D6492	Complete wiring					
S1	0D7711	XBM10 cover assembly					
S2	0D7710	XBM10 cover					

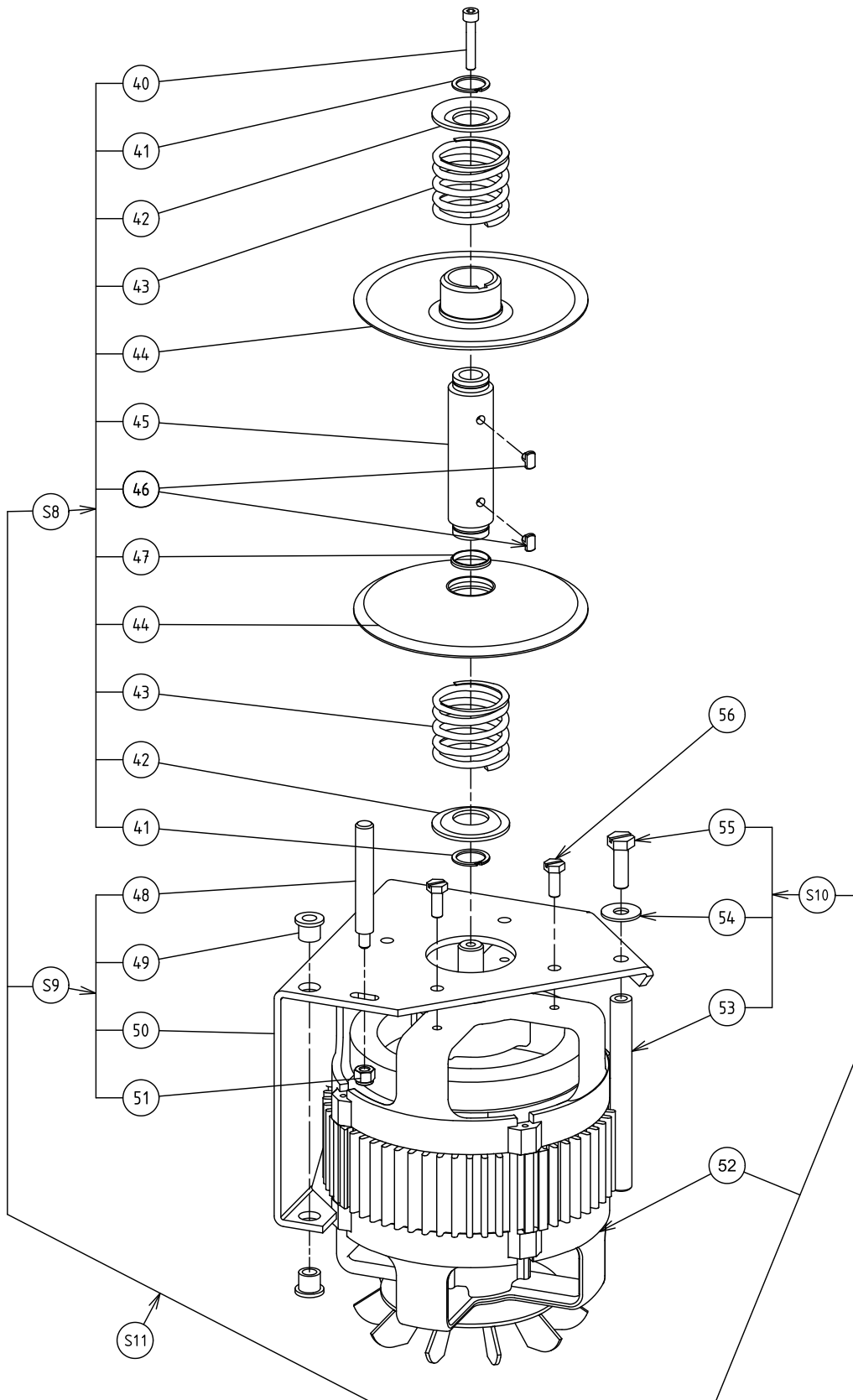
XBM10 - Exploded view - gear shifting



XBM10 - Parts list - gear shifting

Pos.	Code	Description	V	W&T	Ref.	Notes	S/N break
10	0D2679	Handle I 580/90					
12	0KQ353	Retention spring					
13	0D0503	Nut HU M6 (set x 10)					
14	034008	Lever support					
15	0D0670	Screw SHC M6x35 stainless steel (set x 10)					
16	0U0361	Anti-drift shaft					
17	0KJ730	Drift prevention spring		X			
18	0D3587	Screw TH M6x12 (set x 10)					
19	0D0619	WasherCS L6 (set x 10)					
20	0D5233	Screw TORX M4X16 (set x 10)					
21	0D5855	XBM 10 flange					
22	0D5863	XBM 10 drive bracket					
23	0KQ558	Screw F M5x10 (set x 10)					
24	0KQ492	Screw TCHC M8x20 (set x 10)					
25	0U0660	Washer W8 (set x 10)					
26	0D5857	Drive pin					
27	0D0400	Pin G01 6x30 (set x10)					
28	0KI645	Stop					
29	0D5858	Anti-drift support					
30	0D0617	Screw TCHC M6x16 (set x 10)					
31	0D0502	Screw TCHC M5x20 (set x 10)					
32	0U0671	Screw STF M6x20 (set x 10)					
33	0D0590	Nut HM M6 (set x 10)					
34	0D3586	Pin G01 5x30 (set x 10)					
35	0D5859	Anti-drift cover XBM 10					
36	0D6121	Cap					
37	0D0679	ScrewTFB M4x20 stainless steel (set x 10)					
S3	0D5861	lever assembly					
S4	0D5864	Anti-drift cover assembly					
S5	0D5865	lever + cover assembly					
S6	0D5862	Complete drift prevention mechanism		X			

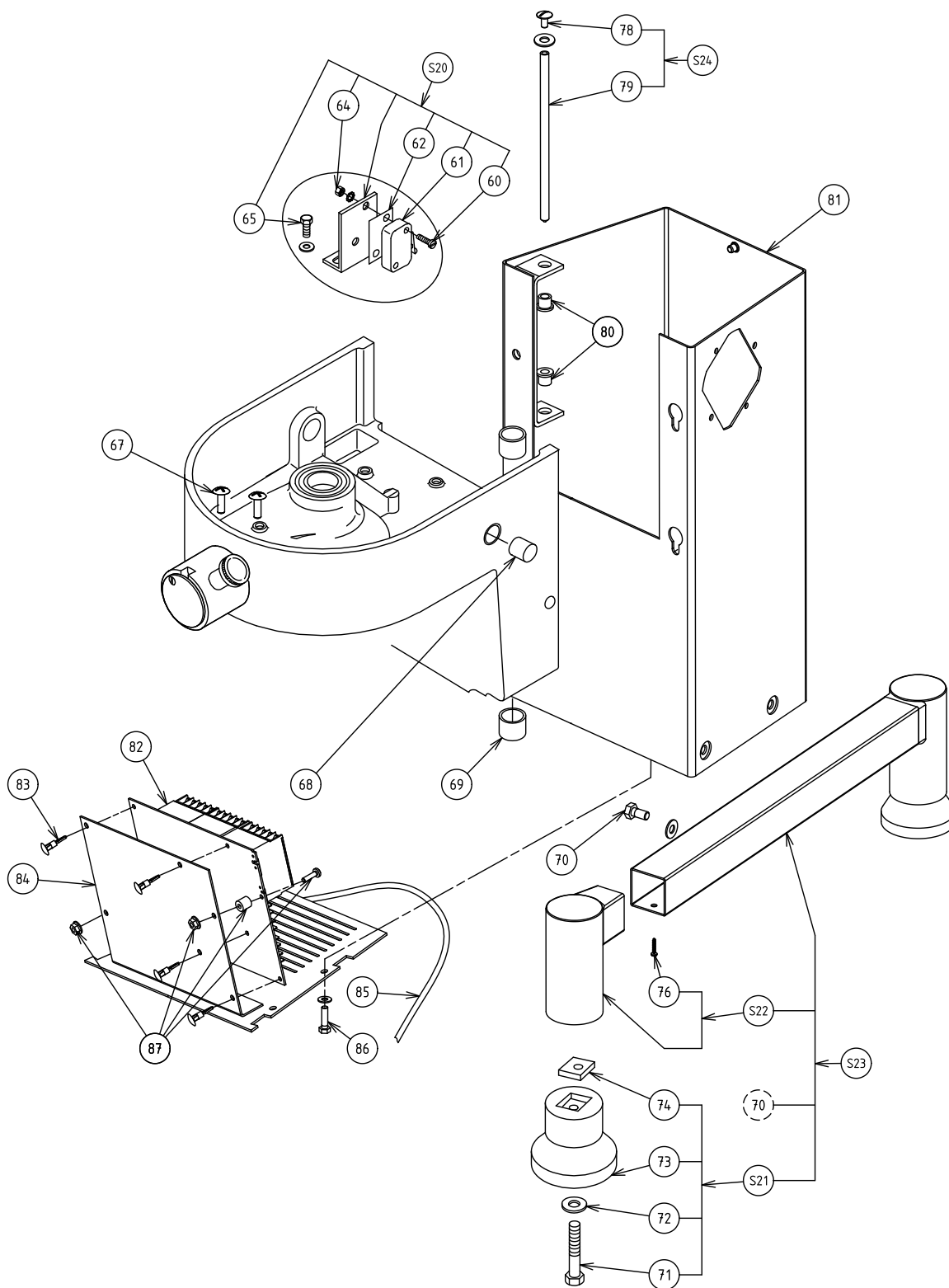
XBM10 - Exploded view - Motor-Mounting-Plate



XBM10 - Parts list - Motor-Mounting-Plate

Pos.	Code	Description	V	W&T	Ref.	Notes	S/N break
40	0D6118	Screw TCHC M5x30 (set x 10)					
41	0D0650	Circlips 20E (set x 10)					
42	0D2795	Bearing washer (set x 2)					
43	0D0993	Spring					
44	0D5866	Drive pulley flange					
45	0D5867	Motor shaft XBM 10					
46	0KQ409	Guide pin					
47	0KQ515	Felt washer 29x23x4 (set x 10)					
48	0D5868	End of travel stop					
49	0D5869	Bearing bushing 8x12x12 (set x 2)					
50	0D5870	Motor support XBM 10					
51	0D1659	Lock nut M6 (set x 10)					
52	0D5871	Motor	X				
53	0D5872	Motor lever pin					
54	0KQ524	Washer LL 8 (set x 10)					
55	0D2740	Screw TH M8x25 (set x 10)					
56	0D2901	Screw Base M6x16 (set x 10)					
S8	0D5873	Motor shaft assembly		X			
S9	0D5874	Motor support assembly					
S10	0D5875	Motor lever pin assembly					
S11	0D5885	Complete 3-phase motor 400v 50hz	X				

XBM10 - Exploded view - Column- Foot



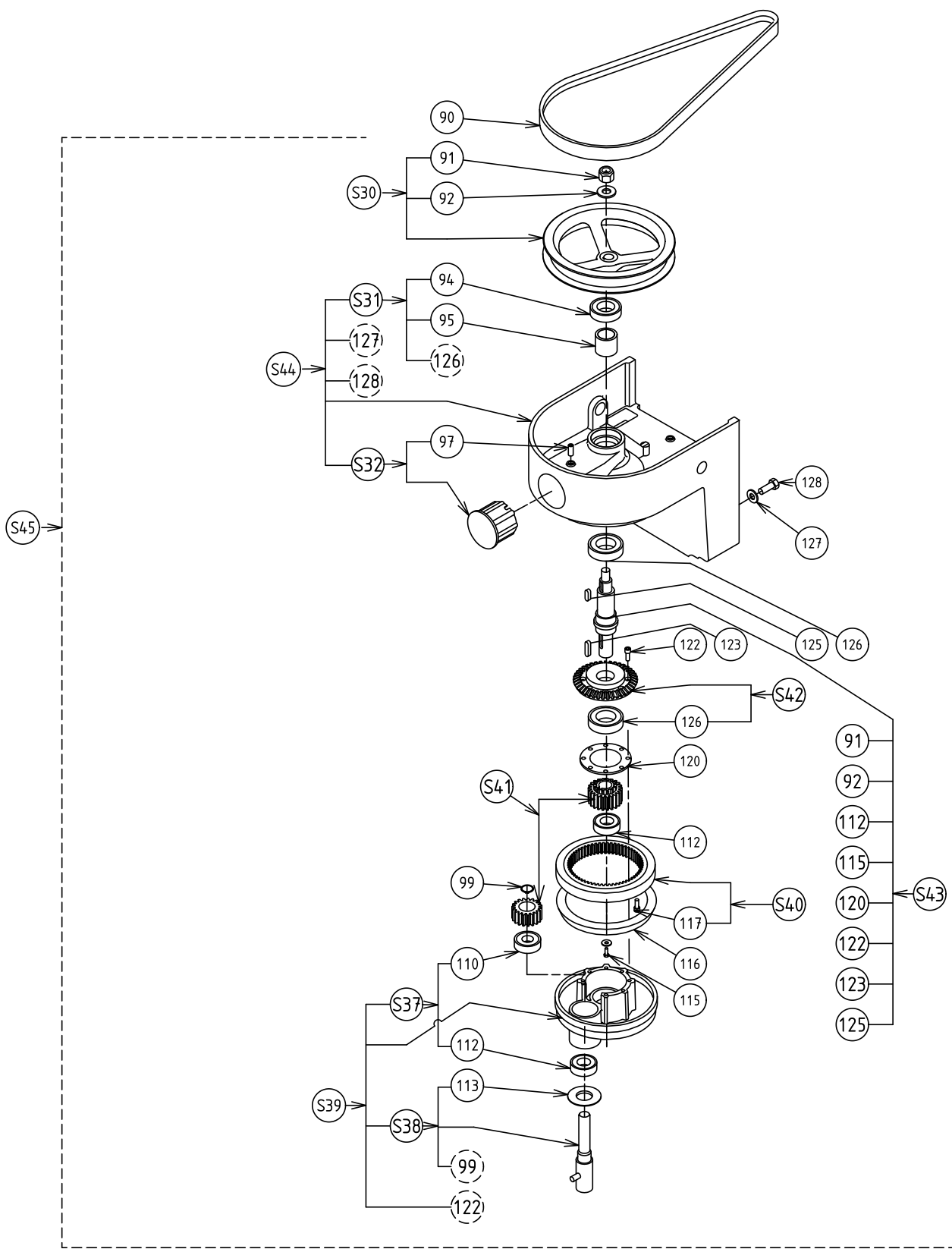
XBM10 - Parts list - Column- Foot

Pos.	Code	Description	V	W&T	Ref.	Notes	S/N break
60	0D0608	Screw c m3x20 stainless steel (set x 10)					
60	033986	Washer m3 galva steel 8b (set x 10)					
61	0D6662	Microswitch	X				
62	0U0268	Insulating plate					
64	0D2877	Washer galva steel 3 (set x 10)					
64	033987	Nut HU M3 stainless steel (set x 10)					
65	0D0537	Screw H 5x10 (set x 10)					
65	0D2297	Washer CS M5 (set x 10)					
67	0U0237	Screw RL M6x20 stainless steel (set x 10)					
67	0D0590	Nut H HM6 (set x 10)					
68	0U0451	Bearing bushing 18x20x15					
69	0D5486	Bearing bushing 20x23x20 (set x 2)					
70	0D0507	Screw H M8x20 stainless steel (set x 10)					
70	0D0632	Washer CS M8 (set x 10)					
71	0D0558	Screw M6x60 fully tapped (set x 10)					
72	0D0620	Washer 24x6.2x2 (set x 10)					
73	0D3740	Foot					
74	0D0589	Square nut (set x 10)					
76	0D5487	Self-tapping screw 6.3x19 (set x 10)					
78	0D0601	Screw RL M6x12 stainless steel (set x 10)					
78	0D0627	Washer CL M 6 (set x 10)					
79	0D5876	Motor hinge pin					
80	0D5869	Bearing bushing 8x12x12 (set x 2)					
81	0D5877	Stand					
82	0D5878	2v power supply card	X				
83	0D2848	PCB spacer (set x 6)					
84	0D5879	Base plate					
85	0D5544	3-phase power supply cable					
86	0KQ407	Screw H M5x16 stainless steel (set x 10)					
86	0D2297	Washer CS M5 (set x 10)					
87	0D3065	Nut HU M4 notched base (set x 10)					
87	0D6441	Spacer (set x 10)					

XBM10 - Parts list - Column- Foot

Pos.	Code	Description	V	W&T	Ref.	Notes	S/N break
87	0D2321	Screw TCM4X20 stainless steel (set x 10)					
S20	0KQ452	Microcontactor assembly					
S21	0U0695	Foot assemblies (set x 4)					
S22	0U0696	End of leg assembly (set x 2)					
S23	0D0769	Right leg assembly					
S23	0D0770	Left leg assembly					
S24	0D5880	Motor hinge pin					

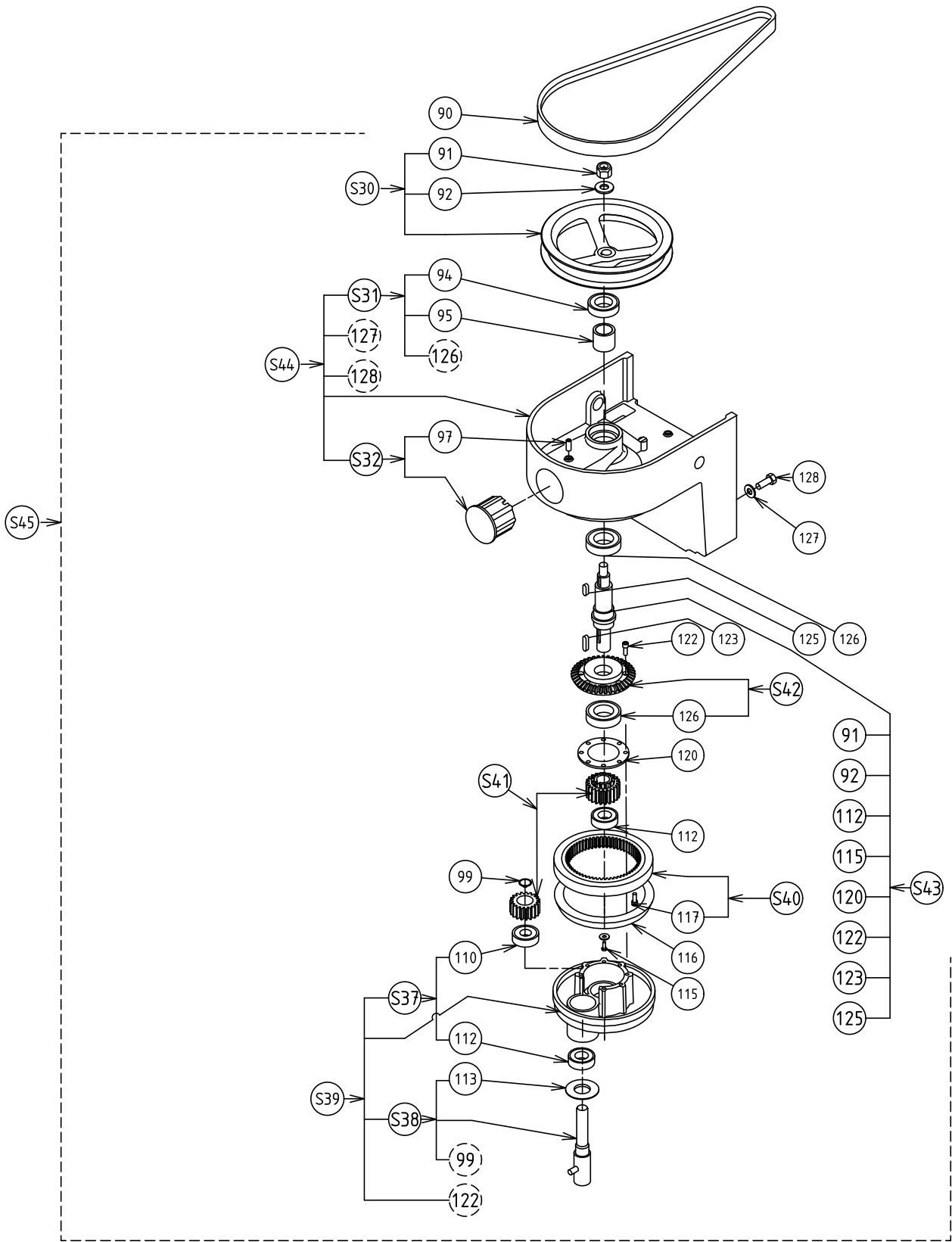
XBM10 - Exploded view - Mechanism



XBM10 - Parts list - Mechanism

Pos.	Code	Description	V	W&T	Ref.	Notes	S/N break
90	0D7047	Drive belt	X	X			
91	0D0587	M12 lock nut (set x 10)					
92	0D5484	LL 12 washer (set x 10)					
94	0KQ350	6005 2RS bearing		X			
97	0D2320	M6x10 SHC screw (set x 10)					
99	0D0639	17E circlip (set x 10)					
110	0D8256	6203 2RS bearing		X			
112	0U0367	6004 2RS bearing		X			
113	0D0954	Protective washer (set x 2)					
114	0KJ739	Go8x34 stainless steel pin (set x 10)	X	X			
115	0KQ494	M6x12 stainless steel TH screw (set x 10)					
115	0D0620	24x6.2x2 washer (set x 10)					
116	0D0716	Planetary gear seal					
117	0D0502	M5x20 TCHC screw (set x 10)					
120	0D5881	Bevel gear washer					
122	0D2322	M5x16 TCHC screw (set x 10)					
123	0KQ486	6x6x30 A key (set x 10)					
125	0HD008	5x5x20 A key (set x 5)					
126	0KT993	6006 2RS bearing		X			
127	0U0660	W8 washer (set x 10)					
128	0D0507	M8x20 stainless steel TH screw (set x 10)					
S30	0D5882	Driven pulley assembly		X			
S31	0D2442	Set of sun gear shaft bearing		X			
S32	0D2443	Plug with screw fastenings					
S37	0D2440	Tool holder shaft bearing (set x 2)		X			
S38	0U0691	Tool holder shaft assembly	X	X			
S39	0U0692	Planetary gear holder assembly					
S40	0KL046	Crown gear assembly					
S41	0KL047	Set planetary gears					
S42	0KL045	Set of conical gears					
S43	0D0767	Sun gear shaft assembly					
S44	0D2430	Complete head					

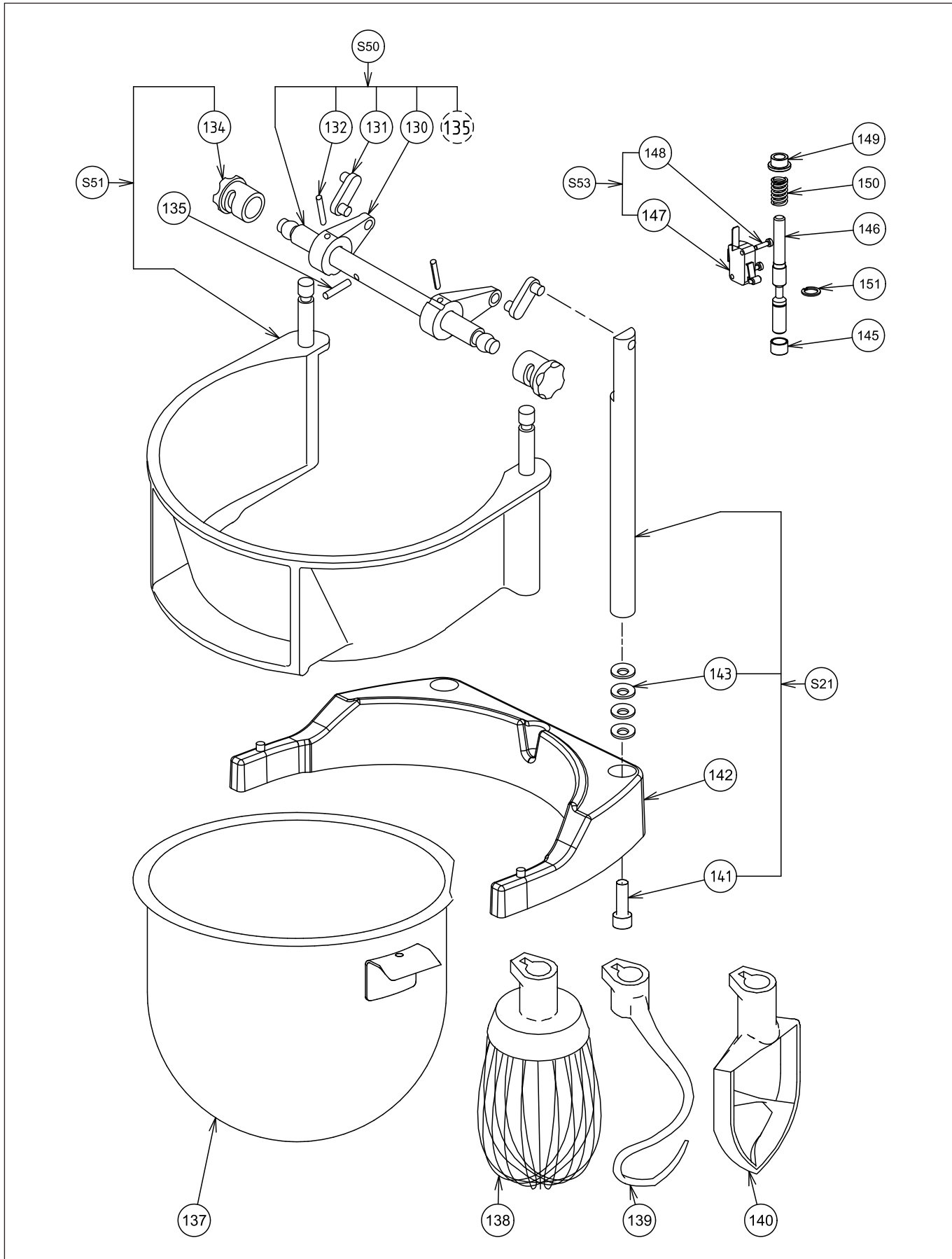
XBM10 - Exploded view - Mechanism



XBM10 - Parts list - Mechanism

Pos.	Code	Description	V	W&T	Ref.	Notes	S/N break
S45	0D2445	Complete hammered head without accessories					
S45	0D2446	Complete hammered head with accessories					

XBM10 - Exploded view - Cradle - Screen



XBM10 - Parts list - Cradle - Screen

Pos.	Code	Description	V	W&T	Ref.	Notes	S/N break
130	0D5883	Control link					
131	0KL277	Connecting link (set x 2)					
132	0D2290	5x35 Mécanindus pin 5x35 (set x 10)					
134	0KQ453	Left/right screen handles					
135	0D2247	G05 8x40 pin (set x 10)					
137	653276	Bowl		X			
138	653269	Whisk		X			
139	653268	Hook		X			
140	653267	Paddle		X			
141	0D1660	M8x25 TCHC screw (set x 10)					
142	0D2692	Cradle					
143	0D5485	L 8 spring washer (set x 10)					
145	0D7794	10x12x10 bearing bushing (set x 5)					
146	0D7796	Spindle					
147	0D6662	Micro-switch	X				
147	0U0268	Insulating plate					
148	0D0608	M3x16 stainless steel TC screw (set x 10)					
149	0D7795	8x12x12 bearing bushing (set x 5)					
150	0KQ353	Spring					
151	0D6569	10e circlips (set x 10)					
S50	0D2447	Complete raise and lower spindle					
S51	0KQ454	Protective screen assembly	X	X			
S52	0D1671	Uprights assembly (set x 2)					
S53	0D7743	Micro-switch assembly	X				

CE