

K120 / K180

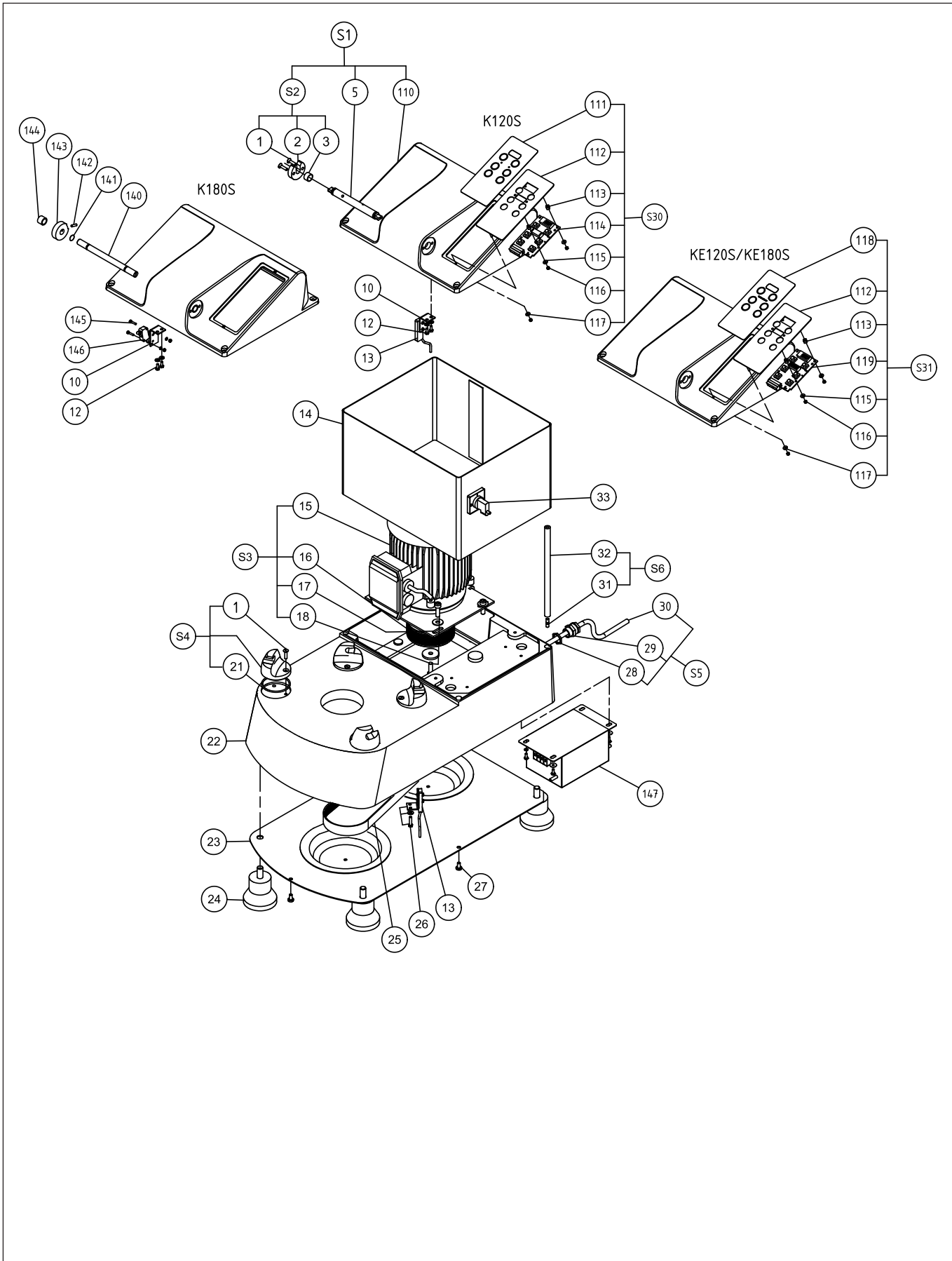
PNC	Model	Modules	Description	Note
600084	K120S	B;E;G;I;K;L	CUTTER MIXER - 2 SPEED - 11,5L	
600085	K120S2U	B;D;G;I;K;L	CUTTER MIXER - 2 SPEED - 11,5L	
600091	DK120S	A;E;G;I;K;L	CUTTER MIXER - 2 SPEED - 11,5L	
600088	KE120S	B;C;H;I;K;L	CUTTER MIXER - VARIABLE SPEED - 11,5L	
600093	DKE120S	A;C;H;I;K;L	CUTTER MIXER - VARIABLE SPEED - 11,5L	
600086	K180S	B;E;G;J;K;L	CUTTER MIXER - 2 SPEED - 17,5L	
600092	DK180S	A;E;G;J;K;L	CUTTER MIXER - 2 SPEED - 17,5L	
600089	KE180S	B;F;H;J;K;L	CUTTER MIXER - VARIABLE SPEED - 17,5L	
600094	DKE180S	A;F;H;J;K;L	CUTTER MIXER - VARIABLE SPEED - 17,5L	
603791	KE180S	B;F;H;J;M	CUTTER MIXER - VARIABLE SPEED - 17,5L	
602254	DK120S	O;D;G;I;K;L	CUTTER MIXER - 2 SPEED - 11,5L	
602259	KE180	B;F;H;J;N	CUTTER MIXER - VARIABLE SPEED - 17.5L	

K120 / K180**Modules classifications**

A	DITO SAMA
B	ELECTROLUX PROFESSIONAL
C	I - 200-240V 50/60HZ
D	III - 208-240V 60HZ
E	III - 380-415V 50HZ
F	III - 380-480V 50/60HZ
G	2 SPEED
H	VARIABLE SPEED
I	11,5 LITER
J	17,5 LITER
K	SCRAPER
L	MICROTOOTHED BLADE ROTOR
M	SMOOTH BLADE ROTOR
N	SERRATED ROTOR MEAT
O	DITO SAMA USA

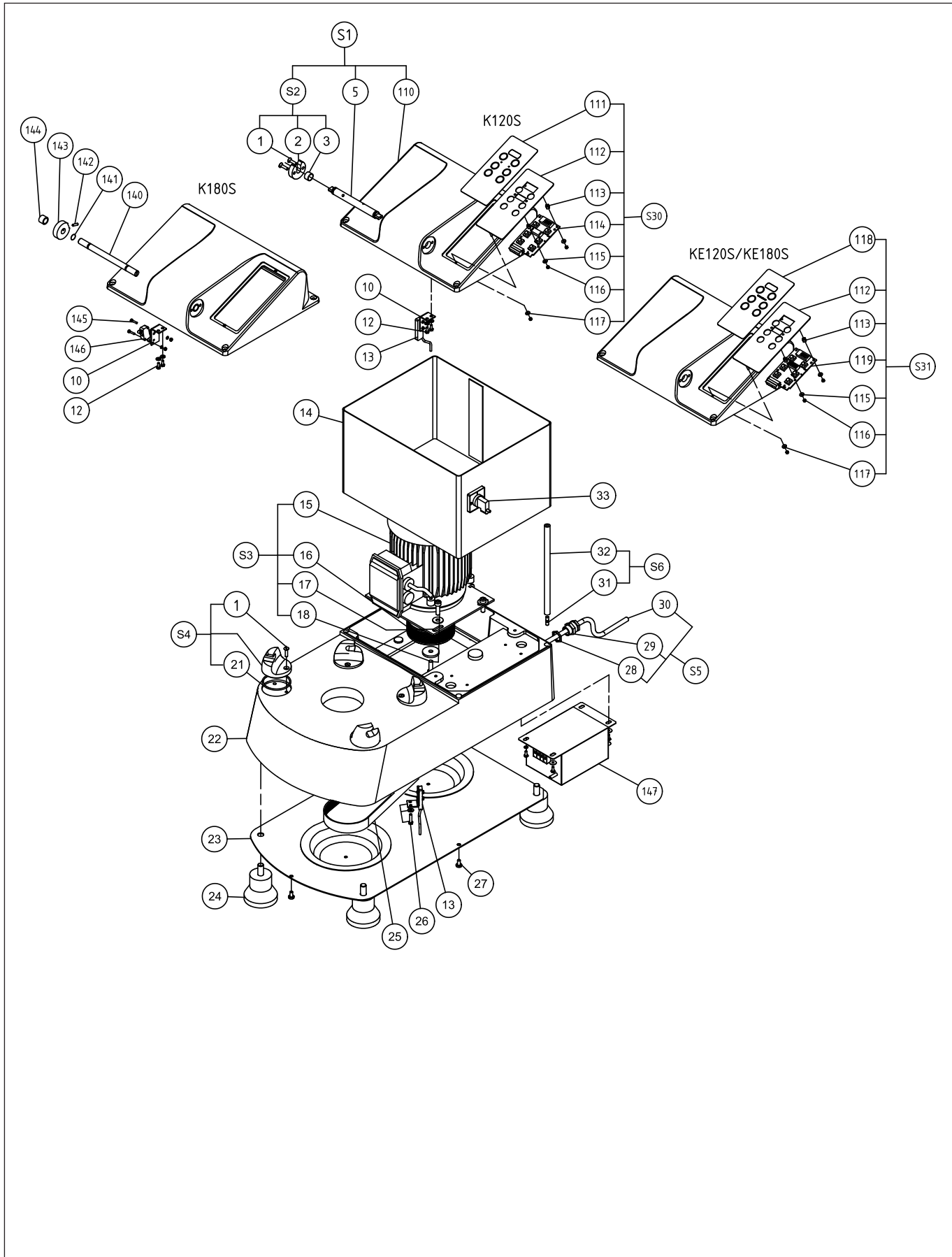
Pag.	Index
4	Exploded view - Structure
5	Parts list - Structure
10	Exploded view - Mechanism
11	Parts list - Mechanism
12	Exploded view - Electrical
13	Parts list - Electrical
14	Exploded view - Rotor
15	Parts list - Rotor
16	Exploded view - Bowl / Cover
17	Parts list - Bowl / Cover

K120 / K180 - Exploded view - Structure



Pos.	Code	Description	V	W&T	Ref.	Notes	S/N break
1	0D3493	Screw TF M5x20 (set x 10)					
2	0D3496	Hinge support (set x 2)					
3	0D1007	Bearing bushing 14x16x10 (set x 5)					
5	0D2488	Cover spindle assembly					
10	0D2399	Miniswitch support					
12	0U0665	Screw TH M4x10 stainless steel (set x 10)					
12	0D0631	Contact washer size 4 (set x 4)					
13	0D6629	Proximity detector	X				
14	0D2434	Motor casing K120			I		
14	0D0760	Motor casing K180			J		
15	0D3556	Three phase motor 200/230v-50/60hz K120	X		C		
15	0D3557	Three phase motor 380/415v-50/60hz K120	X		E;I		
15	0D3550	Three phase motor 380/415v-50/60hz K180	X		E;J		
15	0D3558	Three phase motor 230/400v-50/60hz KE180	X		F		
16	0KQ464	Drive pulley 50 hz K120		X			
16	0D2409	Drive pulley 60 hz K120		X			
16	0KQ462	KE120/KE180 Drive pulley 50hz K180/KE120/KE180		X			
16	0D2416	Drive pulley 60 hz K180		X			
17	0D2408	Support moteur/Motor support					
18	0KQ492	Screw TCHC M8x20 (set x 10)					
18	0D3538	Washer CS L8 galvanised steel (set x 10)					
21	0D3539	O-ring 55,25x2,62 (set x 4)					
22	0D7697	Frame K			C;E;F		
22	0D2426	Frame			D		
23	0D3540	Wrapped base plate K					
24	0D7407	Pad (set x 4)					
25	0KJ743	Belt	X	X			
26	0D2602	PSA bowl support					
26	0D2942	Screw TH M5x20 stainless steel (set x 10)					
26	0D2297	Washer CS M5 (set x 10)					
27	0D0601	Screw TRL M6x12 stainless steel (set x 10)					
28	0D3512	Normadix lock nut (set x 5)					

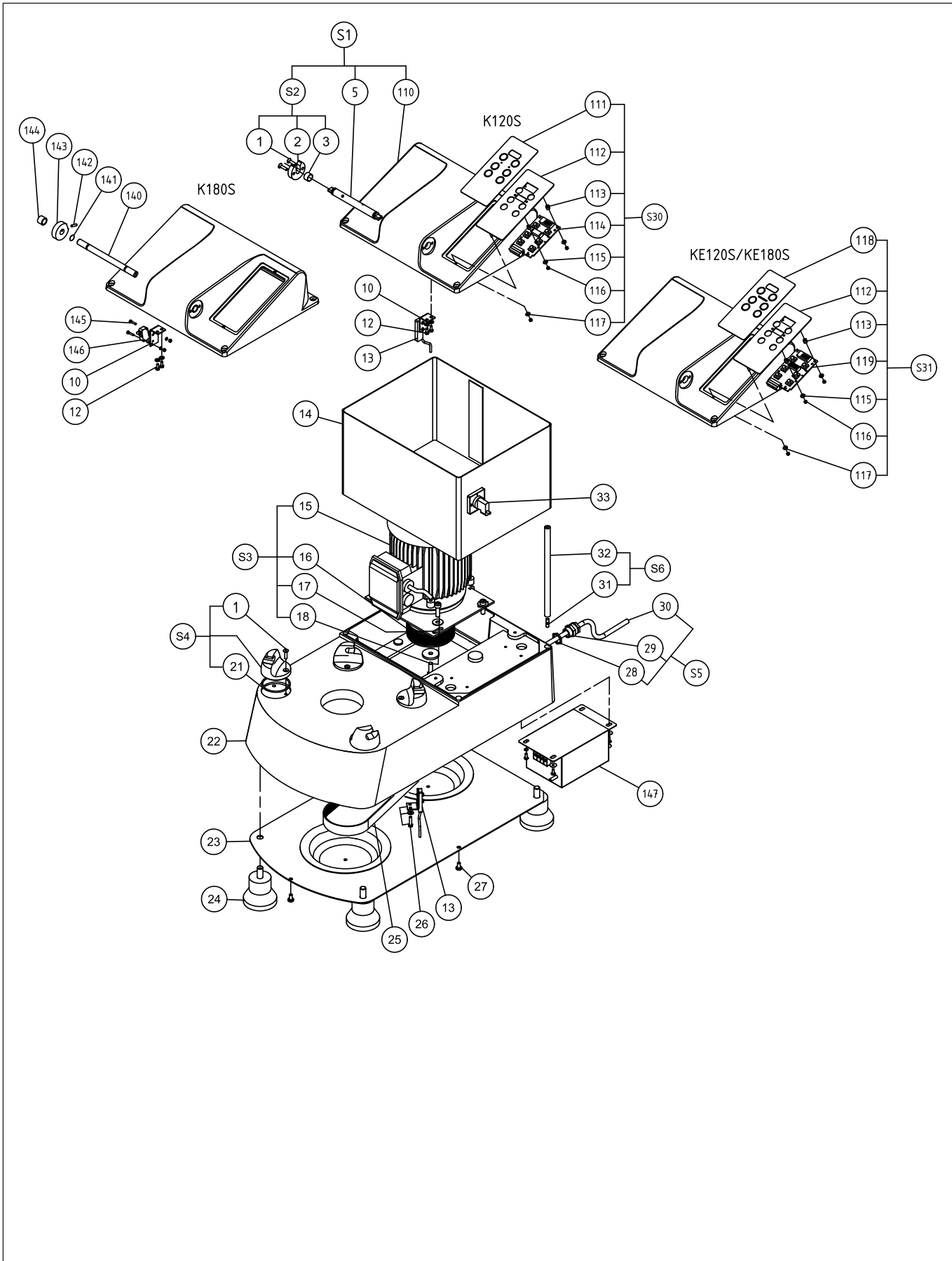
K120 / K180 - Exploded view - Structure



K120 / K180 - Parts list - Structure

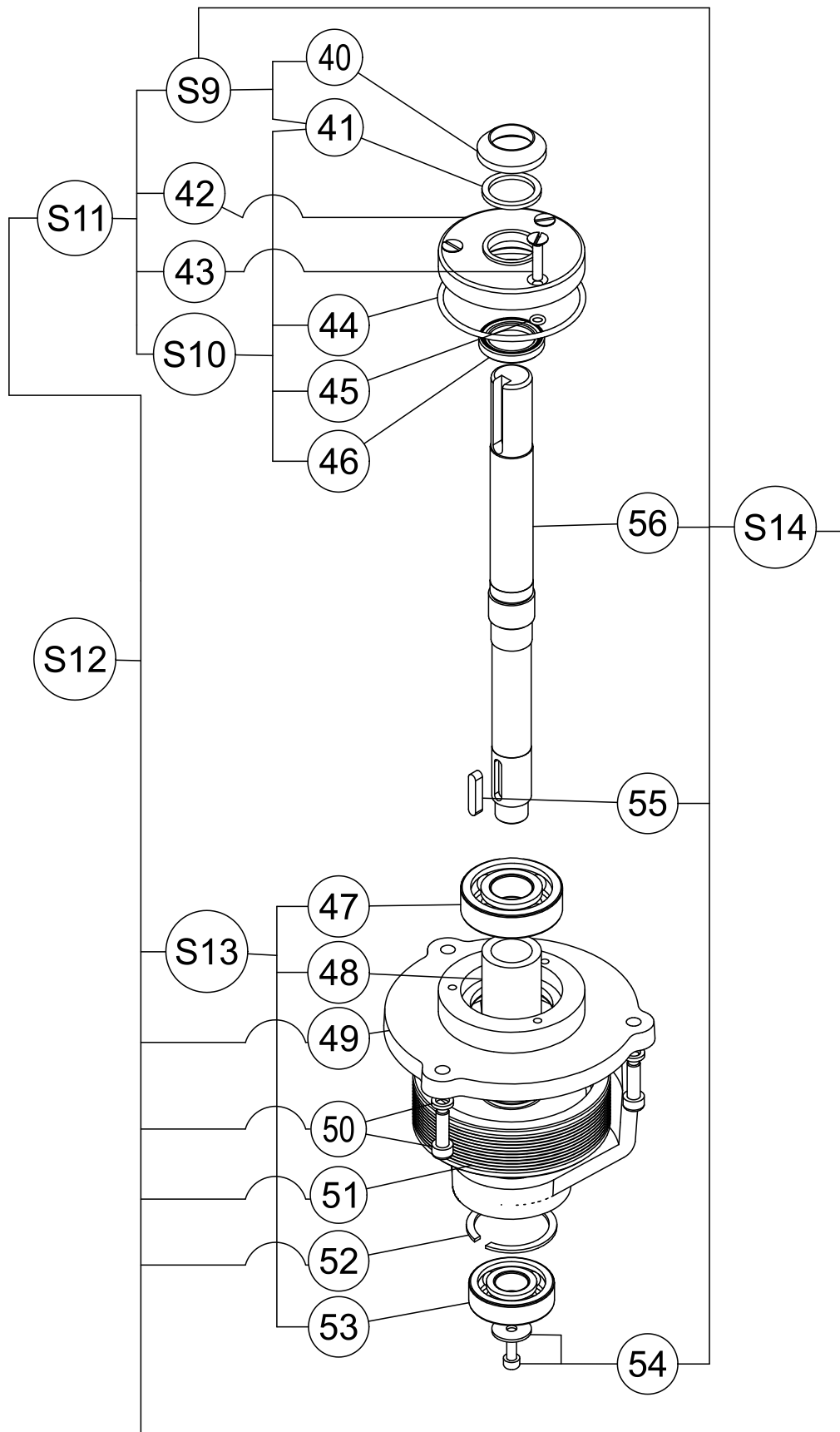
Pos.	Code	Description	V	W&T	Ref.	Notes	S/N break
29	0D3513	Cable gland (set x 5)			C;D;E;F		--> 28/02/2023
29	0D3513	Cable gland (set x 5)			C;E;F		01/03/2023 -->
29	0D2073	Stuffing box assembly			D		01/03/2023 -->
30	0D3545	Single phase power supply cord K120			C		
30	0D3549	Three phase power supply cord K120/ K180			E;F		
31	0D3541	Pin M6x20x8x8 (set x 10)					
32	0D0008	Rod K120					
32	0D2415	Rod K180					
33	0KQ461	Complete main switch K180	X				
110	0D7526	Motor cover					
111	0DF128	Control panel plate 2 speed		X	B;G		
111	0DF129	Control panel plate 2 speed		X	A;G		
112	0D5618	Control panel plate support					
113	0D5633	Printed circuit board spacer (set x 10)					
114	0D5619	Control card K120/K180	X		G		
115	0D5188	Washer PE M3 (set x 10)					
116	033987	Nut HU M3 (set x 10)					
117	0D5620	Washer CS M8 (set x 10)					
118	0DF130	Control panel plate KE		X	B;H		
118	0DF131	Control panel plate KE		X	A;H		
119	0D5623	Variator tactile timer card KE120	X		H;I		
119	0D5624	Variator timer card 24 v KE180	X		H;J		
140	0D6427	Hinge pin K180					
141	0D1139	O-ring 8x1.9					
142	0D5973	Screw STHC M4x10 stainless steel (set x 10)					
143	0D6425	Cam assembly					
144	0D6426	Ring 12x16x12 (set x 2)					
145	0KQ511	Screw TC M3x16 stainless steel (set x 10)			J;G;O		
145	0D5620	Washer CS M3 (set x 10)			J;G;O		
145	033987	Nut HU M3 (set x 10)			J;G;O		
146	0D6623	Mini-switch	X		J;G;O		
146	0U0268	Insulating plate					
147	0D8258	Filter			H;J		
147	0D6724	Screw CX M4 (set x10)			H;J		
147	0D2284	Washer CSL4 (set x 10)			H;J		

K120 / K180 - Exploded view - Structure



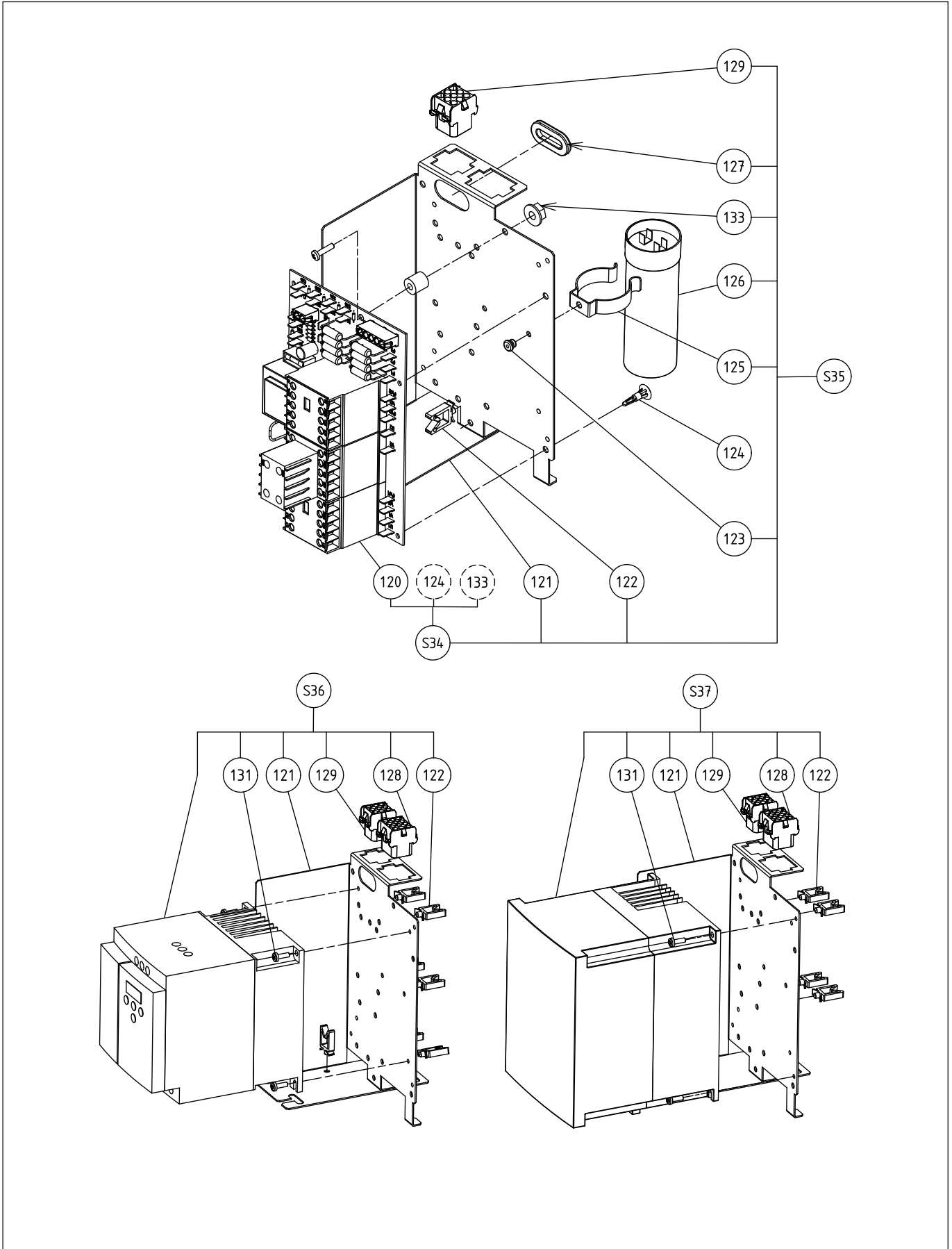
K120 / K180 - Parts list - Structure

Pos.	Code	Description	V	W&T	Ref.	Notes	S/N break
147	0D0520	Washer (set x 10)			H;J		
S1	0D7528	Cover assembly					
S2	0D0751	Hinge support assembly (set x 2)		X			
S3	0D2427	Three phase motor assembly 380/415 50 K120	X		E;G;I		
S3	0D2428	Three phase motor assembly 380/415 50 K180	X		E;G;J		
S3	0D0759	Motor assembly KE120	X		C;H		
S3	0D2655	Motor assembly KE180	X		F;H		
S3	0D7647	Motor assembly 60hz D	X		D;G		
S4	0D0748	Bowl flange assembly K120/K180 (set x 4)		X			
S5	0D2435	Three phase power supply cord assembly			E;F		
S5	0D2436	Single phase power supply cord assembly			C;I		
S5	0D5645	Three phase power supply cord assembly			D		
S6	0D2420	Rod assembly K120			I		
S6	0D0749	Rod assembly K180			J		
S30	0D5634	Control card assembly K120	X		I		-->31/01/2024
S30	0D5626	Control card assembly K180	X		J		-->31/01/2024
S30	0DF132	Control card + connecting assembly	X		I;J		02/02/2024-->
S31	0D5627	Control card assembly KE120	X		I		-->31/01/2024
S31	0D5628	Control card assembly KE180	X		J		-->31/01/2024
S31	0DF133	Control card + connecting KE120	X		H;I		02/02/2024-->
S31	0DF134	Control card + connecting KE180	X		H;J		02/02/2024-->



K120 / K180 - Parts list - Mechanism

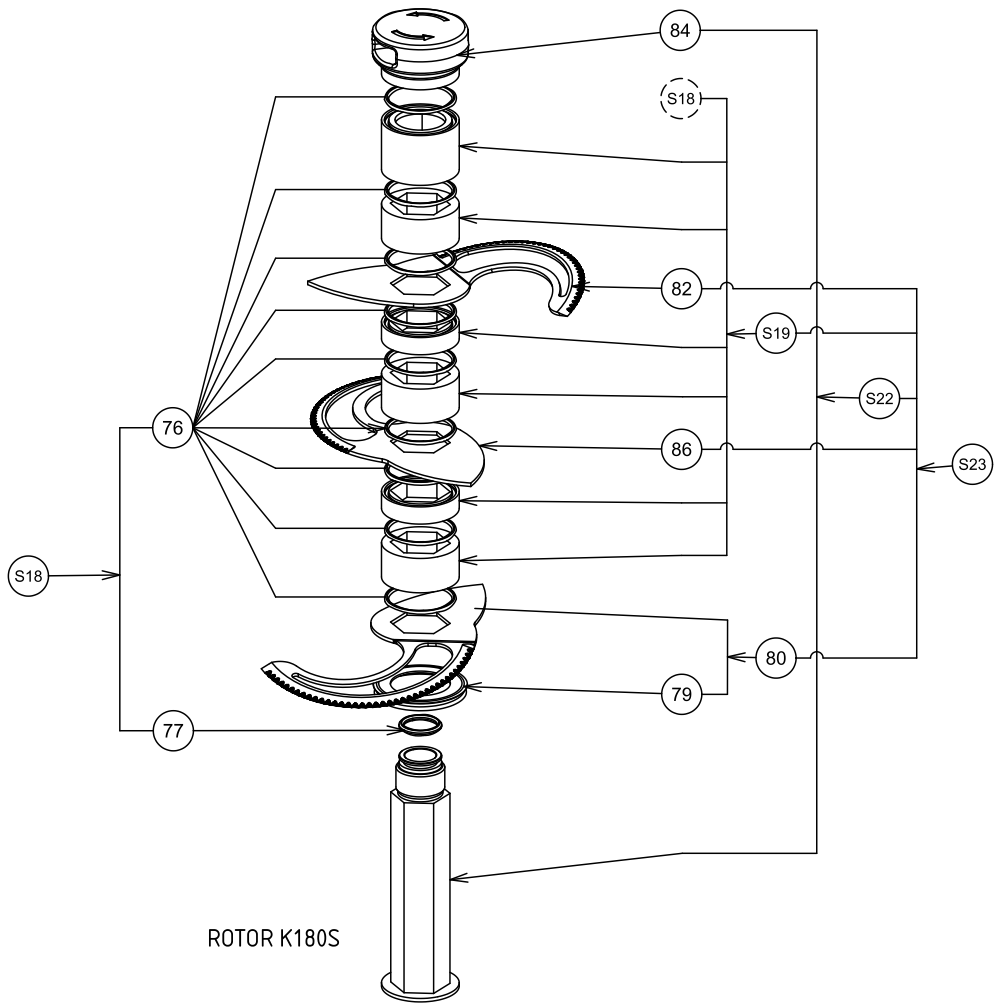
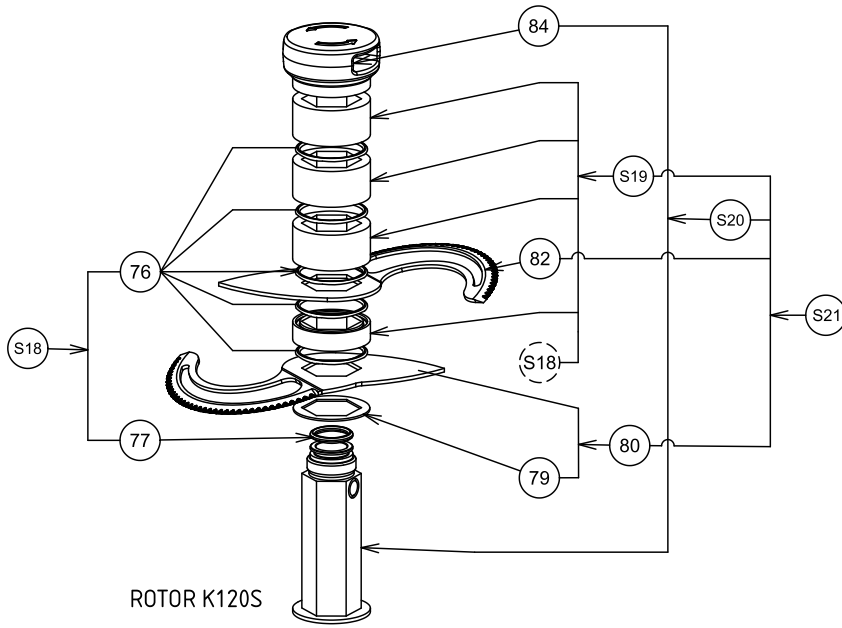
Pos.	Code	Description	V	W&T	Ref.	Notes	S/N break
40	0D2407	Deflector					
41	0D2417	Felt washer 28x36x3					
42	0D2406	Cap					
43	0KQ508	Screw TF M6x30 (set x 10)					
44	0D3579	O ring 78.97x3.53 (set x 5)					
45	0D3434	O ring 5.7x1.9 (set x 10)					
46	0H1040	Lipped seal 30x40x7 (set x 5)		X			
47	0KJ748	Bearing 6305 2 RS		X			
48	0D2404	Spacer 25x36x81					
49	0D2403	Bushing					
50	0D1660	Screw TCHC M8x25 (set x 10)					
50	0U0660	Washer W8 (set x 10)					
51	0KQ466	Driven pulley 50 hz		X			
51	0D2405	Driven pulley 60 hz		X	D		
52	0KQ484	Circlips 52i (set x 10)					
53	0KQ393	Bearing 6304 2 RS		X			
54	0D0617	Screw TCHC M6x16 (set x 10)					
54	0D0627	Washer CI M6 (set x 10)					
55	0KQ486	Cotter pin A 6x6x30 (set x 10)					
56	0D2674	Shaft K120			I		
56	0D2675	Shaft K180			J		
S9	0D0744	Deflector assembly					
S10	0D0754	Bushing seal assembly					
S11	0D0745	Cap assembly					
S12	0D2418	Bushing assembly 50hz K120			I		
S12	0D2419	Bushing assembly 50hz K180			J		
S13	0D1668	Bearing assembly					
S14	0D0746	Shaft assembly K120			I		
S14	0D0747	Shaft assembly K180			J		



K120 / K180 - Parts list - Electrical

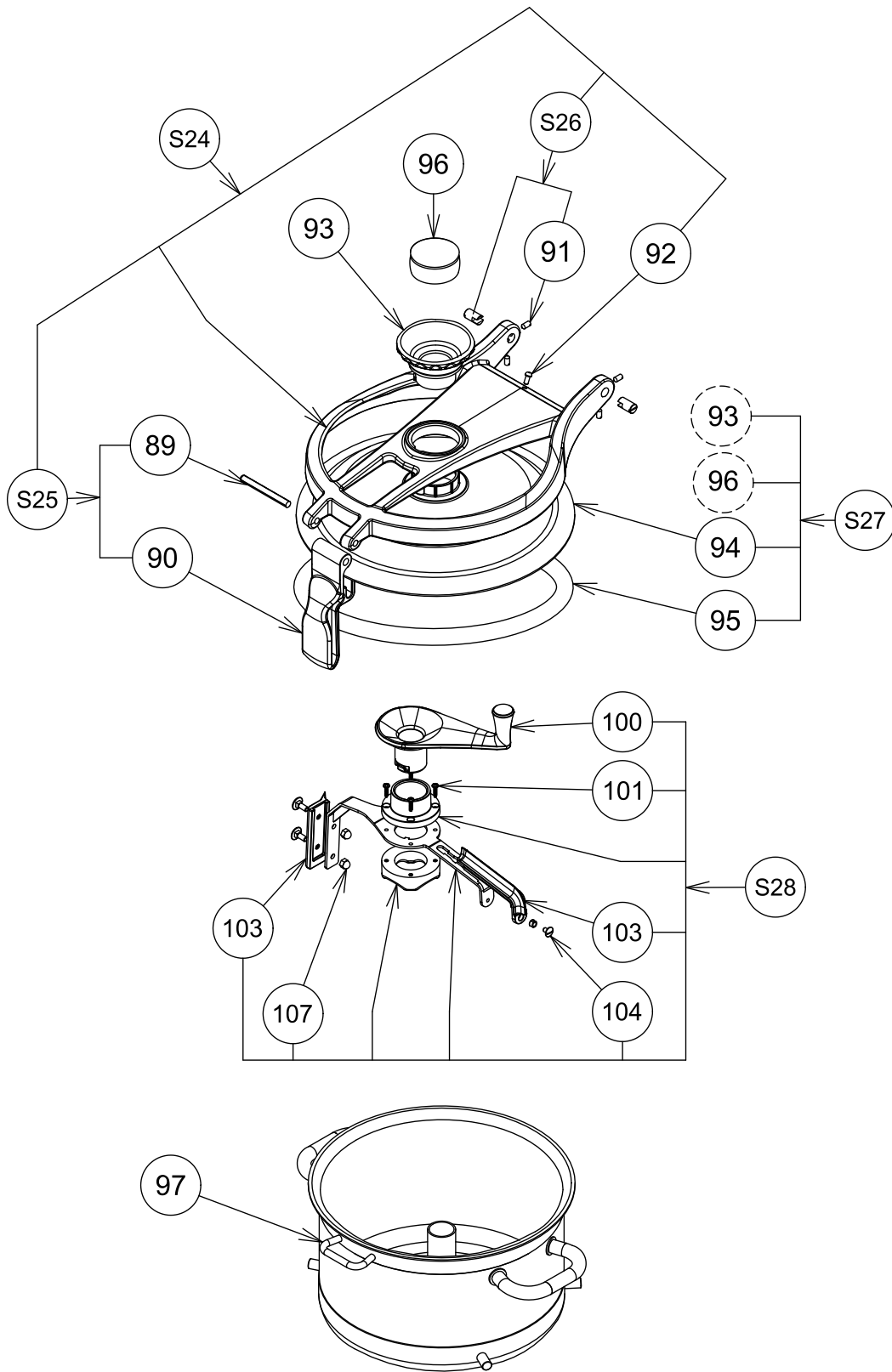
Pos.	Code	Description	V	W&T	Ref.	Notes	S/N break
120	0D5528	Power card 2 speeds	X		G		
121	0D5630	Component support plate					
122	0D5195	Cable fixing clip WS-AS-2 (set x 10)					
123	0D5631	Rivets TP 4x10 (set x 10)					
124	0D2848	Fixing spacer, printed circuit board (set x 6)					
125	0D3491	Bracket (set x 5)					
126	0H1034	Braking capacitor 200mf					
127	0D3031	Membrane grommet 21x26x2 (set x 10)					
128	0KQ701	Female box 12 v					
129	0D5632	Female box 9 v					
131	0D6724	Screw CX M4x10 (set x 10)					
133	0D2321	Screw TC M4x20 (set x 10)					
133	0D6441	Spacer (set x 10)					
133	0D3065	Nut HU M4 notched base (set x 10)					
S34	0D7416	Power card assembly 2 speeds	X		G		
S35	0D5636	Plate assembly 2 speeds K120	X		G;I		
S35	0D5637	Plate assembly 2 speeds k180	X		G;J		
S36	0D5638	Single phase variator plate assembly	X		C;H		
S37	0D5639	Three phase variator plate assembly	X		F;H		

K120 / K180 - Exploded view - Rotor



K120 / K180 - Parts list - Rotor

Pos.	Code	Description	V	W&T	Ref.	Notes	S/N break
76	0D0515	O ring 51x3 (set x 3)					
77	0KK069	O-ring 26.2x3.6 (set x 10)					
79	0D7568	Cup					
80	0D7569	Micro-toothed lower blade		X	I;J		
80	0D5146	Serrated lower blade		X	J,N		
82	0D7570	Micro-toothed upper blade		X	I;J		
82	0D5147	Serrated upper blade		X	J;N		
84	0D7572	Blade holder handle					
86	0D7571	Micro-toothed flat blade		X	J		
86	0D5148	Serrated flat blade		X	J;N		
S18	0D1670	Set of O rings rotor K120-180					
S19	0D0762	Spacer assembly rotor K120-180					
S20	0D7573	Blade holder assembly K120S			I		
S21	650060	Micro-toothed blades rotor K120S		X	I;L		
S22	0D1604	Blade holder assembly K180S			I		
S23	650047	Micro-toothed blades rotor K180S		X	J;L		
S23	653119	Smooth blades rotor K180S		X	J;M		
S23	653539	Serrated rotor meat		X	J;N		



K120 / K180 - Parts list - Bowl / Cover

Pos.	Code	Description	V	W&T	Ref.	Notes	S/N break
89	0D2246	Pin G08 8x80 (set x 5)					
90	0D2411	Lid flange					
91	0D3495	Screw SHC PTU M6x12 (set x 10)					
92	0KQ699	Stop (set x 5)					
93	0KL050	Bolt plug					
94	0D8052	Removable lid	X	X			
95	0KQ463	Lid seal	X	X			
96	0D2707	Plug GPN (set x 2)					
97	650073	Bowl engraved assembly K120S		X	I		
97	650074	Bowl engraved assembly K180S		X	J		
100	0D7566	Scraper handle					
101	0D1009	Screw PTWN (set x 10)					
103	0D7525	Together wiper seal		X			
104	0D2894	Screw TRL M5x8 (set x 10)					
107	0D0583	Nut M6 (set x 10)					
107	0D2741	Screw TRCC M6x16 (set x 10)					
S24	0D7565	Lid arm assembly K120 K180S					
S25	0KR376	Lid arm assembly					
S26	0D0763	Hinge cover (set x 2)					
S27	0D7567	Lid assembly	X	X			
S28	650059	Scraper K120S		X	I		
S28	650046	Scraper K180S		X	J		

CE