

TRS

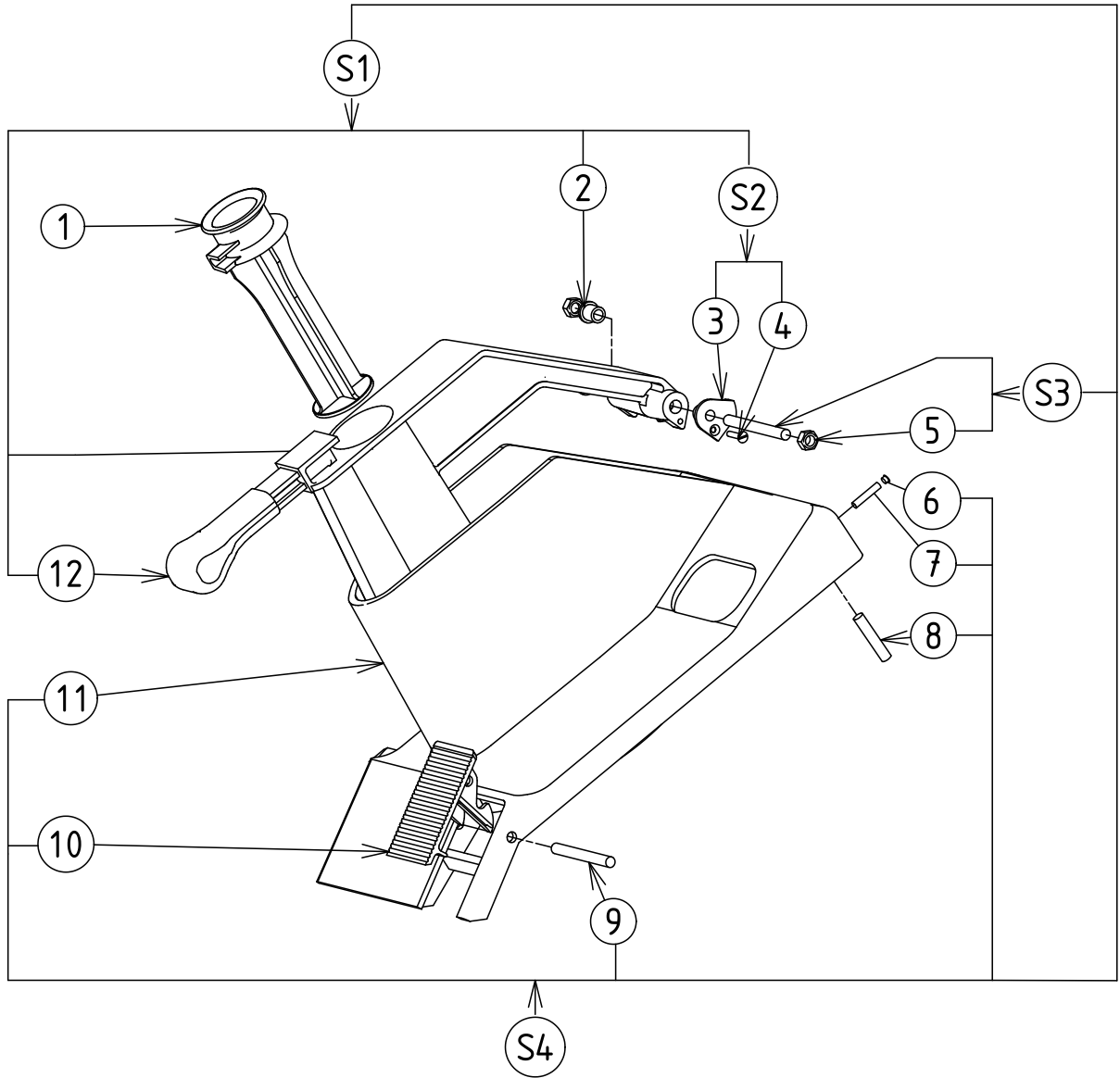
PNC	Model	Modules	Description	Note
600247	TRS	B;C;K	VEGETABLE SLICER - 370W	
600108	DTRS	A;C;H;I	VEGETABLE SLICER - 750W	
600109	DTRS	A;C;F;K	VEGETABLE SLICER - 370W - 3 DISCS	
600110	DTRS	A;C;K	VEGETABLE SLICER - 370W	
601787	TRS	B;D;K	VEGETABLE SLICER - 370W	-->50/2022
603805	TR24	B;E;H;J	VEGETABLE SLICER - 640W	
600399	TRS	B;F;K	VEGETABLE SLICER - 370W	
600117	DTRS	A;F;K	VEGETABLE SLICER - 370W	
602072	TRS	F;K	VEGETABLE SLICER - 370W	
602206	DTRS	A;D;K	VEGETABLE SLICER - 370W	
602207	TRS	B;D;K	VEGETABLE SLICER - 370W	51/2022-->
602256	DTRS	A;E;H;J	VEGETABLE SLICER - 640W	

TRS

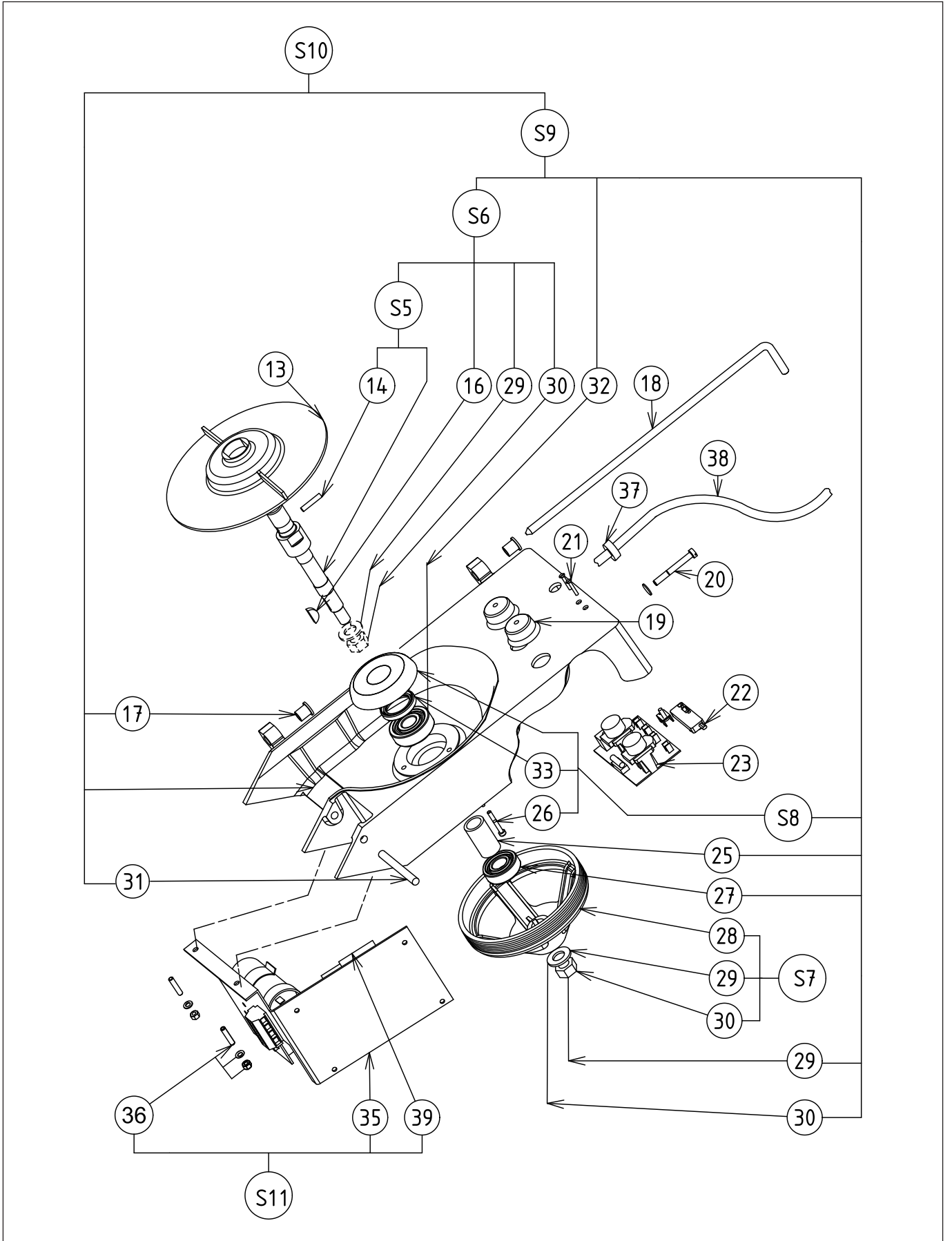
Modules classifications

A	DITO SAMA
B	ELECTROLUX PROFESSIONAL
C	I - 220-240V 50HZ
D	I - 220V 60HZ
E	I - 115V 60HZ
F	III - 230/400V 50/60HZ
G	KIT 3 DISCS
H	STAINLESS STEEL
I	MOTOR 750W
J	MOTOR 640W
K	PLASTIC BASE

Pag.	Index
4	Exploded view - Hopper
5	Parts list - Hopper
6	Exploded view - Body
7	Parts list - Body
8	Exploded view - Motor
9	Parts list - Motor
10	Exploded view - Casing
11	Parts list - Casing
12	Exploded view - Lever safety device
13	Parts list - Lever safety device

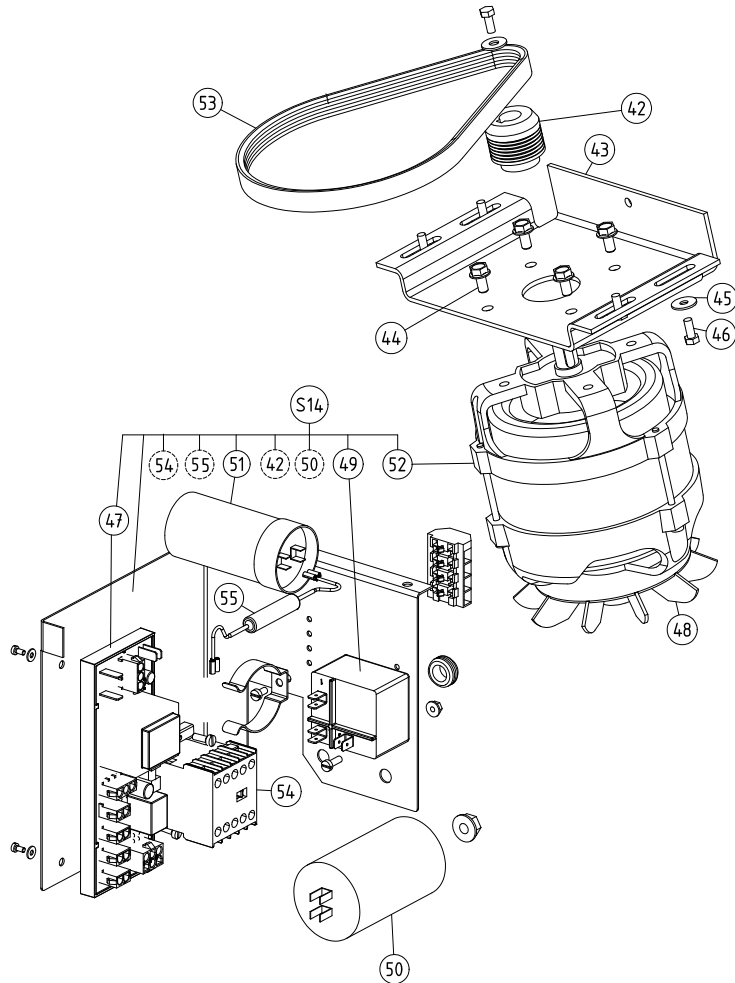
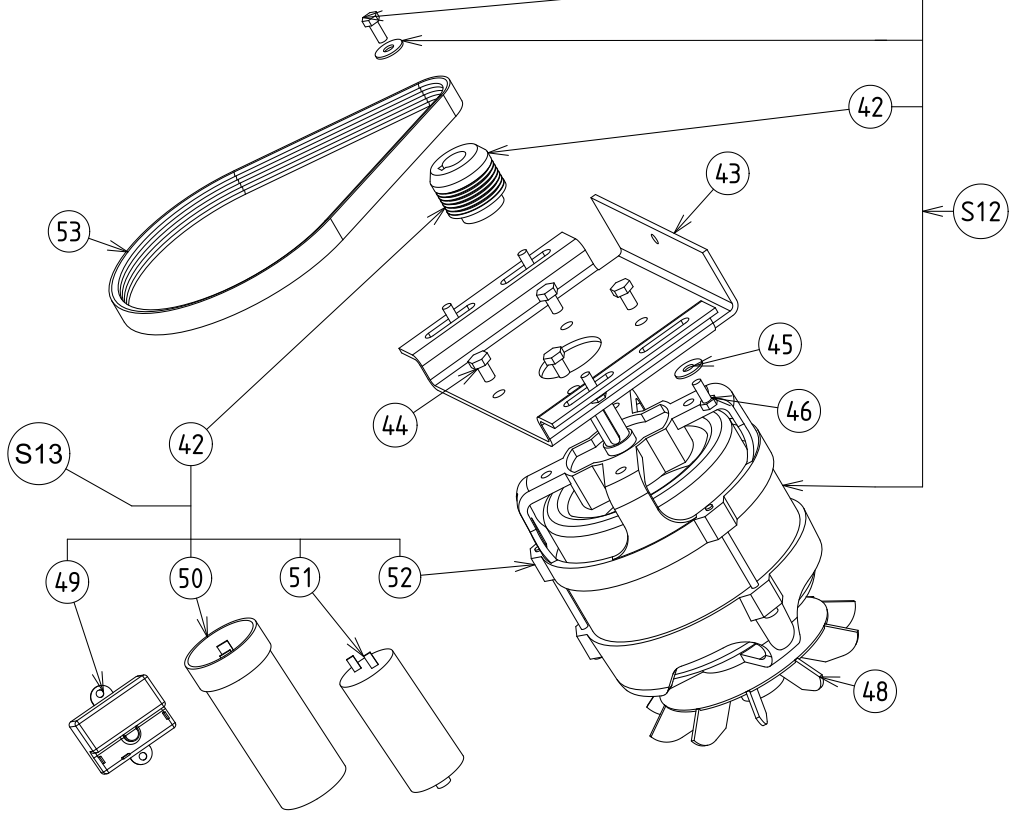


Pos.	Code	Description	V	W&T	Ref.	Notes	S/N break
1	0KI992	Pusher	X				
2	0KJ599	Lid hinge ring (set x 5)					
3	0D3620	Cam					
4	0KQ480	M4x16 TF screw (set x 10)					
5	0KL161	M8 cap nut (set x 10)					
6	0D3482	Plug (set x 10)					
7	0D0522	M 4x16 SHC screw (set x 10)					
8	0KI586	6x25 magnet					
9	033596	D8 spindle					
10	0KI095	Locking handle					
11	0KI788	Hopper					
12	033638	Press handle					
S1	0KI993	Aluminium lever + cam					
S2	0U0446	Cam assembly					
S3	0KQ540	Press shaft assembly					
S4	0KL205	Hopper assembly, no pusher					



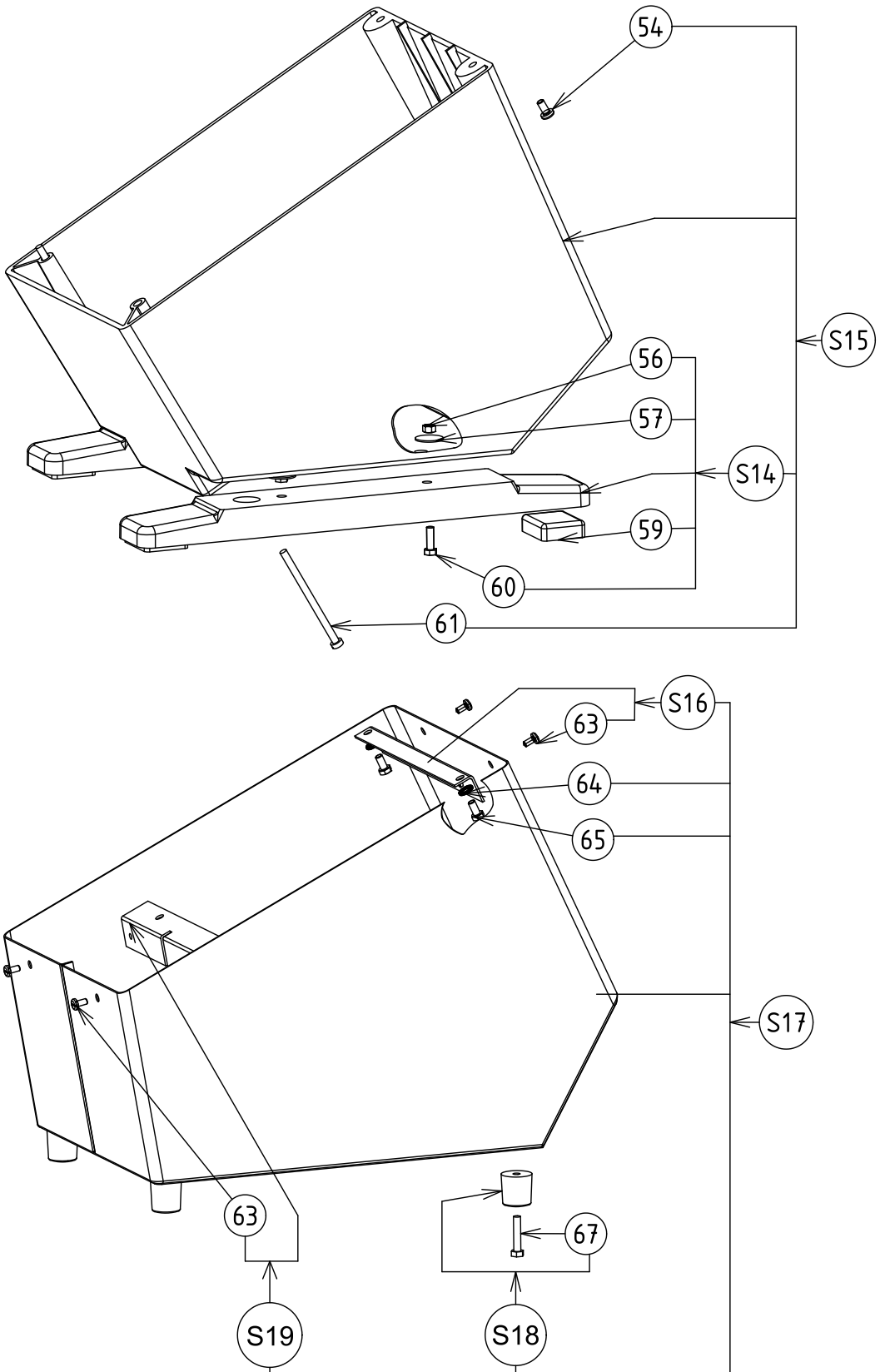
Pos.	Code	Description	V	W&T	Ref.	Notes	S/N break
13	0KJ002	Ejector	X				
14	0D7860	Pin 5x25 (set x 10)					
16	0KQ556	5x7.5 key (set x 10)					
17	0KJ599	Lid pivot ring (set x 5)					
18	0D3588	Hopper lid spindle					
19	0KR665	Ci push button kit		X	C;D;F		
19	0KQ666	On button		X	E;I		
19	0KQ665	Off button		X	E;I		
20	0D0511	M6x50 C screw (set x 10)					
21	0D3416	M3x20 screw (set x 10)					
22	0D5191	Proximity detector		X			
23	0KJ586	Control board assembly	X				
25	0KI789	18x25 lg40 spacer					
26	0U0655	M4x30 hex-socket cap screw (set x 10)					
27	0D8256	6203 2Rs bearing					
28	0D2093	Driven pulley		X			
29	0D0545	M14 washer (set x 10)					
30	0D0588	M14 locking nut (set x 10)					
31	033596	8 lg 82 spindle					
32	0KI590	6303 bearing		X			
33	0KI998	28x40x7 lipped seal (set x 5)		X			
35	0D5939	Component support bracket					
36	0D3415	M 5x30 SHC screw (set x 10)					
36	0KQ491	Z5 washer (set x 10)					
36	0D0579	Stainless steel Hu5 nut (set x 10)					
37	0D3511	Grommet DA 8x16x8 (set x 5)			C;D		
37	0D6160	Grommet 9x16x9 (set x 5)			F		
38	0D1320	Single phase cable	X		C;D		
38	0D3680	Three cable	X		F		
39	0KQ429	Single phase power board assembly	X		C;D		
39	0KJ778	Three-phase power board assembly	X		F		
39	0D7384	Single phase power board 750w assembly	X		I		
S5	0D0117	Shaft + pin		X			
S6	0KJ000	Shaft assembly					
S7	033105	Driven pulley assembly					
S8	0KI999	Flange assembly					
S9	0KQ361	Complete mechanism					
S10	0U0356	Body assembly					
S11	0D0050	Three-phase replacement wiring			F		
S11	0D3421	Single-phase replacement wiring			C;D		
S11	0D7930	Single-phase replacement wiring 750W			I		

TRS - Exploded view - Motor

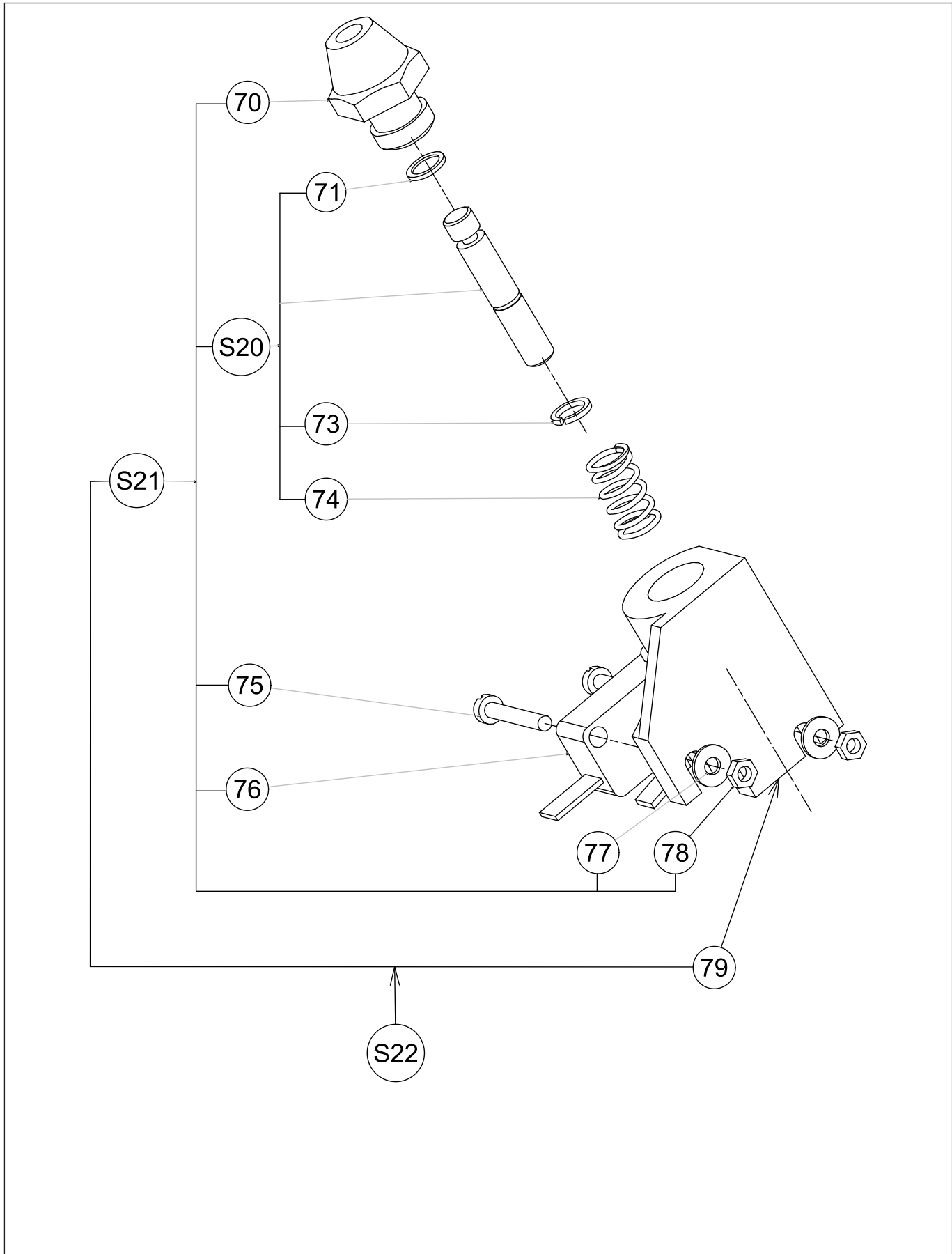


Pos.	Code	Description	V	W&T	Ref.	Notes	S/N break
42	0KQ366	Drive pulley		X			
42	0D3191	Drive pulley 750W		X	I		
	0D2256	Screw M6x16 (set x 10)					
43	0KQ365	Motor support					
44	0D0594	M6x10 stainless steel screw (set x 10)					
45	0D0625	Cs I5 washer (set x 10)					
46	0D0506	M5x12 stainless steel screw (set x 10)					
47	0D7384	Power card	X		I		
48	0D1442	Fan					
49	0D3329	Klixon for 230v 50hz / 240v50hz	X				-->2021/11
49	0D7436	Relais tension 230v 50hz	X		C;D		2021/12-->
49	0D7379	Relais tension 115v 60hz	X		E		
50	0U0403	10mf running for 230v 50hz / 240v 50hz	X		C;D		
50	0H1044	Condensator perma. 20mf moteur 750w	X		I		
50	0KQ662	100mf braking capacitor for three-phase motor	X		F		
50	0D7389	Condensator 60mf	X		E		
51	0U0471	capacitor for 230v 50hz / 240v 50hz / 220v	X		C;D		
51	0KQ203	Cond.dema.115mf mot. mono 750W	X		I		
51	0H1034	Condensator	X		E		
52	0D7929	230/240v 50hz single phase motor	X		C;D		
53	033106	Drive belt	X	X			
54	0D8011	Contacteur LC1K12015JDS335	X		E;I		
55	0D7401	Resistance assembly	X		C;D;E		
S12	0D7928	230/400 50 motor assembly	X		F		
S13	0D7927	230/240v 50hz motor assembly	X				→ 2021/11
S13	0D8265	230/240 motor assembly	X		C;D		2021/12 →
S13	0D7926	230v 50hz 750w single phase motor assembly	X		I		
S14	0D7381	115v 60hz motor assembly	X		E		

TRS - Exploded view - Casing



Pos.	Code	Description	V	W&T	Ref.	Notes	S/N break
54	0D0523	M5x10 stainless steel RI screw (set x 10)			K		
56	0D0500	M5 locking nut (set x 10)			K		
57	0D0501	L15 washer (set x 10)			K		
59	0KQ363	Pad			K		
60	0D0607	M5x16 stainless steel cl screw (set x 10)			K		
61	0D0405	M5x80 cheese head screw (set x 10)			K		
S14	032629	Cross-member assembly		X	K		
S15	0D5039	Casing assembly			K		
63	0KQ527	M4x8 stainless steel TRL screw (set x 10)			H		
64	0KQ491	5 washer (set x 10)			H		
65	0D0506	M5x12 stainless steel screw (set x 10)			H		
67	0D3216	M5x25 stainless steel screw (set x 10)			H		
S16	0D0813	Stainless steel rear casing bracket assembly			H		
S17	0U0488	Stainless steel casing assembly			H		
S18	0D3417	Foot assembly (set x 4)			H		
S19	0D3418	Stainless steel front casing assembly			H		



TRS - Parts list - Lever safety device

Pos.	Code	Description	V	W&T	Ref.	Notes	S/N break
70	0KQ362	TRS safety lever guide					
71	0KQ521	2.9x1.78 o-ring (set x 10)					
73	0KQ485	6 e circlips (set x 10)					
74	0D3621	Spring					
75	0D0608	M3x20 stainless steel c screw (set x 10)					
76	0D6615	Micro-switch	X				
77	033986	M3 washer (set x 10)					
78	033987	M3 nut (set x10)					
79	0U0354	Device					
S20	0KQ220	Control rod assembly					
S21	0D3414	Control rod + micro-switch assy					
S22	0KI996	Safety device unit assy	X				

CE