

SPARE PARTS CATALOGUE

**BE5 / BE8**

PNC	Model	Modules	Description	Note
600192	BE5	B;C;F;H	PLANETARY MIXER 5L	
600193	BE5A	B;C;E;F	PLANETARY MIXER 5L - K HUB	
600194	BE5A	B;D;E;F	PLANETARY MIXER 5L - K HUB - UK PLUG	
600137	BE5	A;C;F;H	PLANETARY MIXER 5L	
600138	BE5A	A;C;E;F	PLANETARY MIXER 5L - K HUB	
600402	BE5A	A;D;E;F	PLANETARY MIXER 5L - K HUB - UK PLUG	
600195	BE8	B;C;G;H	PLANETARY MIXER 8L	
600196	BE8A	B;C;E;G	PLANETARY MIXER 8L - K HUB	
600197	BE8A	B;D;E;G	PLANETARY MIXER 8L - K HUB - UK PLUG	
600139	BE8	A;C;G;H	PLANETARY MIXER 8L	
600140	BE8A	A;C;E;G	PLANETARY MIXER 8L - K HUB	
600403	BE8A	A;D;E;G	PLANETARY MIXER 8L - K HUB - UK PLUG	

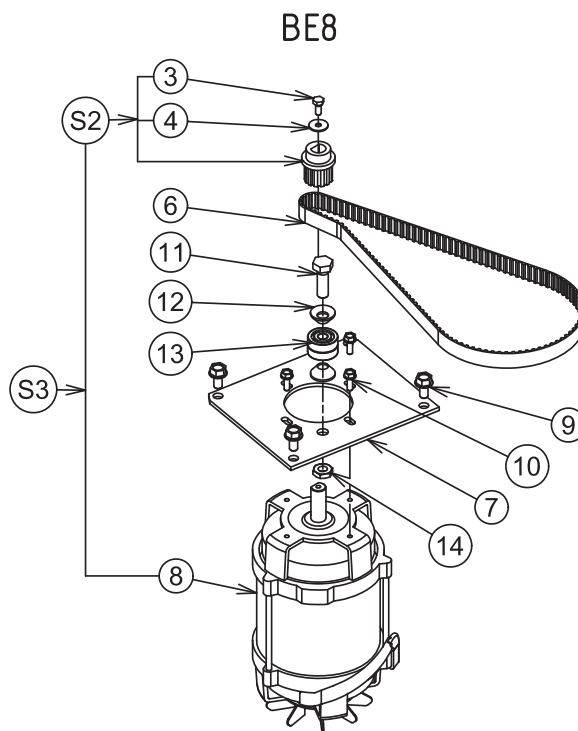
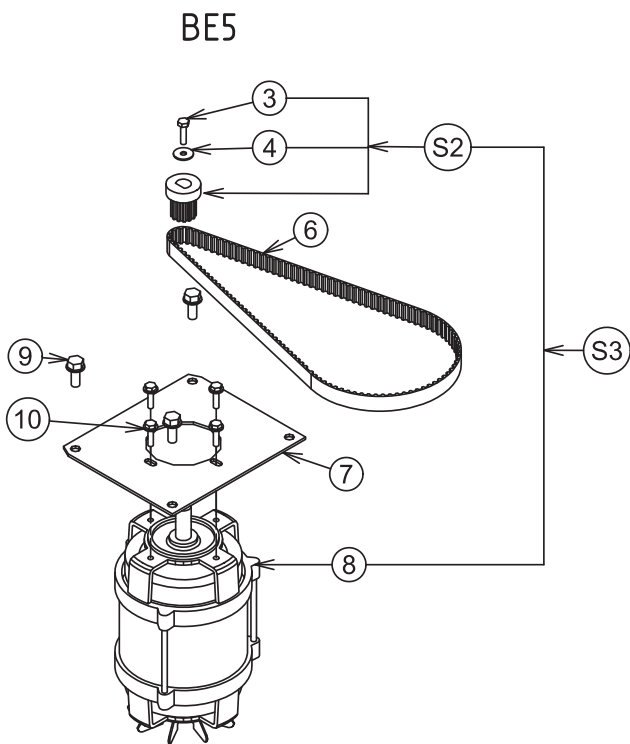
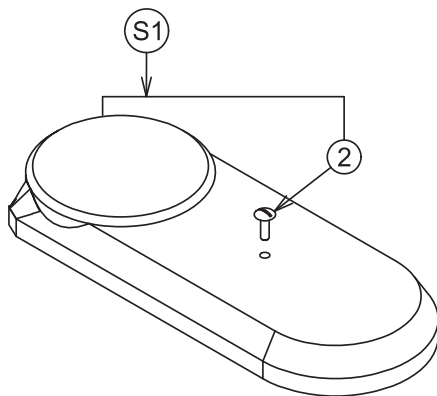


**BE5 / BE8****Modules classifications**

<b>A</b>	DITO SAMA
<b>B</b>	ELECTROLUX PROFESSIONAL
<b>C</b>	STANDARD PLUG
<b>D</b>	UK PLUG
<b>E</b>	ACCESSORY HUB
<b>F</b>	BOWL 5L
<b>G</b>	BOWL 8L
<b>H</b>	WITHOUT ACCESSORY HUB

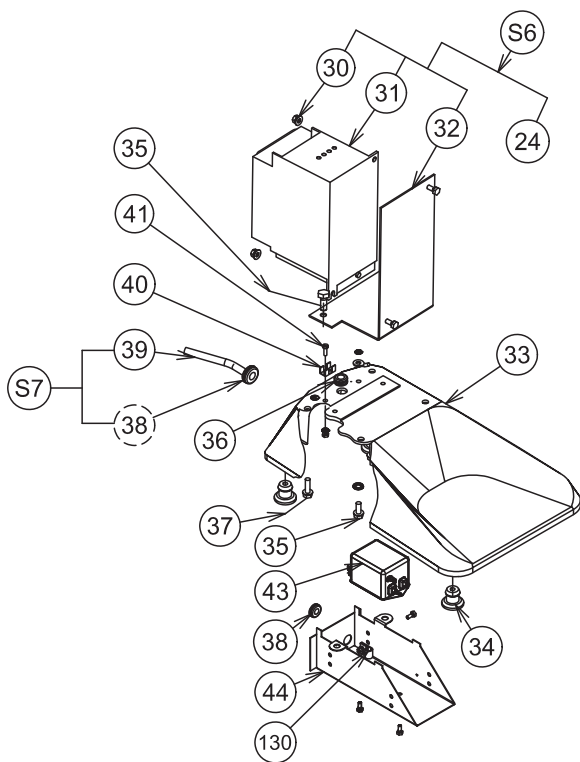
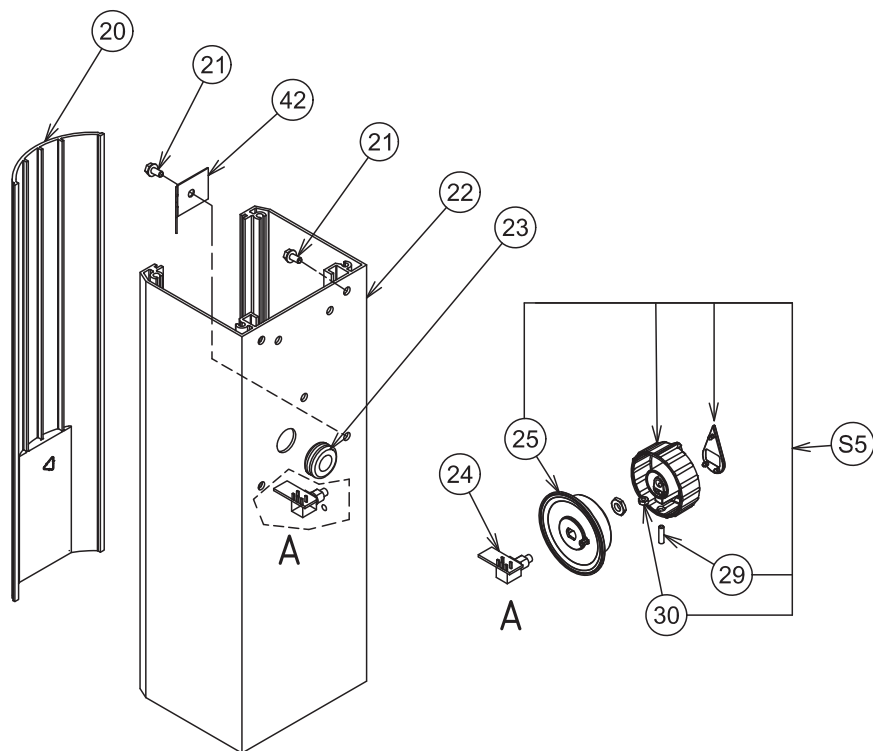
<b>Pag.</b>	<b>Index</b>
4	Exploded view hupper-motor
5	Parts list hupper + body
6	Exploded view column + stand
7	Parts list column + stand
8	Exploded view - Mechanism
9	Parts list - Mechanism
11	Exploded view - Bowl lift
12	Parts list - Bowl lift

BE5 / BE8 - Exploded view hupper-motor



## BE5 / BE8 - Parts list hupper + body

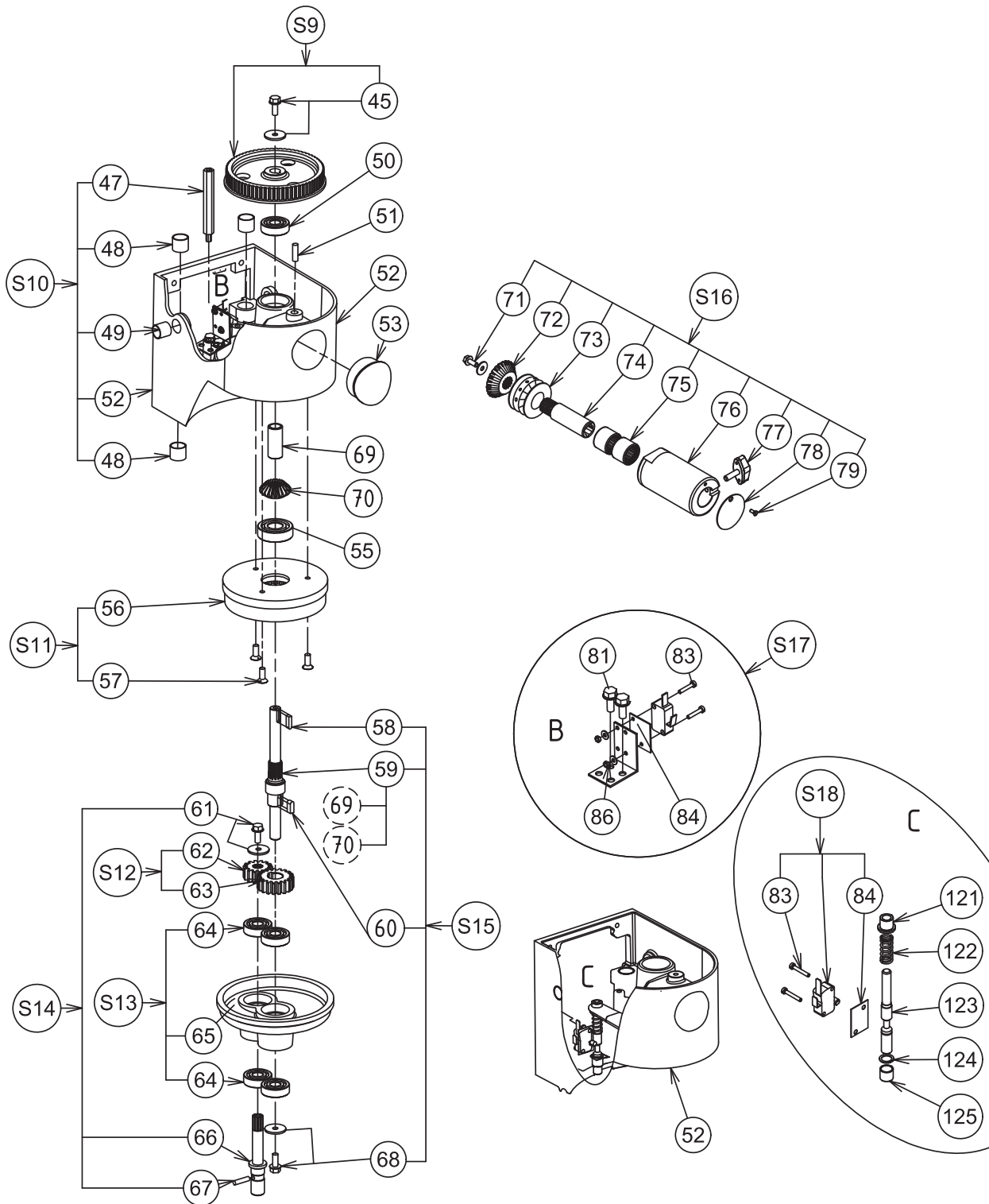
Pos.	Code	Description	V	W&T	Ref.	Notes	S/N break
2	0U0237	RL M6x20 Stainless steel screw (Set x 10)					
3	0U0665	H M4x10 Stainless steel screw (Set x 10)					
4	0D2284	Cs L4 galvanised steel 8b washer (set x 10)					
6	0KQ691	Synchronous belt	X	X			
7	0D0087	Mounting					
8	0D3568	D18 three-phase 230v 50Hz motor	X				
9	0D0551	Taptite M6x12 screw (Set x 10)					
10	0D3027	Taptite M4x12 screw (set x 10)					
11	0D2740	TH M8x25 Stainless steel screw (set x 10)			G		
12	0D0632	Washer M8 (set x 10)			G		
13	0KQ560	Bearing 608 ZZ (set x 5)		X	G		
14	0KQ523	Nut HM M8 (set x10)			G		
S1	0D7374	Upper hood assembly					
S2	0KQ581	Drive pulley assembly		X			
S3	0D1051	3 230v 50Hz motor assembly	X				



## BE5 / BE8 - Parts list column + stand

Pos.	Code	Description	V	W&T	Ref.	Notes	S/N break
20	0D7276	Rear hood BE5			F		
20	0D7318	Rear hood BE8			G		
21	0D0595	H 6x25 Stainless steel screw (Set x 10)					
22	0D0336	Column BE5			F		
22	0D7320	Column BE8			G		
23	0D1211	Grommet 14x20x3		X			
24	0D7321	BE5 - BE8 Potentiometer	X				
25	0D7334	Button ring support	X				
29	0D0522	Screw STHC M4x16 (set x 10)					
30	0KL159	Hu M4 stainless steel nut (set x 10)					
30	0U0665	Screw TH M 4x10 (set x 10)					
31	0D3443	230v variable speed transmission	X				-->30/01/2023
31	0DF053	230v variable speed transmission	X				31/01/2023-->
32	0D7141	Bracket assembly					
33	0D7908	Base					
34	0D3565	Shoe (Set X4)		X			
35	0D0551	Taptite M6x12 screw (set x 10)					
36	0D1014	9.5x13x3 grommet (set x 10)		X			
37	0D0555	Taptite M6x25 screw (set x 10)					
38	0D6450	Sr grommet (set x 10)		X			
39	0D3310	Power supply cord Standard line	X				
40	0D3567	Brass earth terminal clip (set x 5)					
41	0D0611	C M4x12 stainless steel screw (set x 10)					
41	0D0520	4 toothlock washer (set x 10)					
41	0KL159	Hu M4 stainless steel nut (set x 10)					
42	0D7725	Bracket assembly					
43	0D7793	Filter assembly	X				
44	0D7922	Support filter assembly					
130	0D2309	CV7 tie (set x 10)					
130	0U0665	Screw M4x10 (set x 10)					
130	0D3065	HU M4 nut ( set x 10)					
S5	0D7335	Potentiometer button assembly	X				
S6	0D7337	230v variable speed transmission assembly + Potentiometer	X				-->30/01/2023
S7	0D7883	Standard power assembly	X		C		
S7	0D7884	UK power assembly	X		D		

BE5 / BE8 - Exploded view - Mechanism

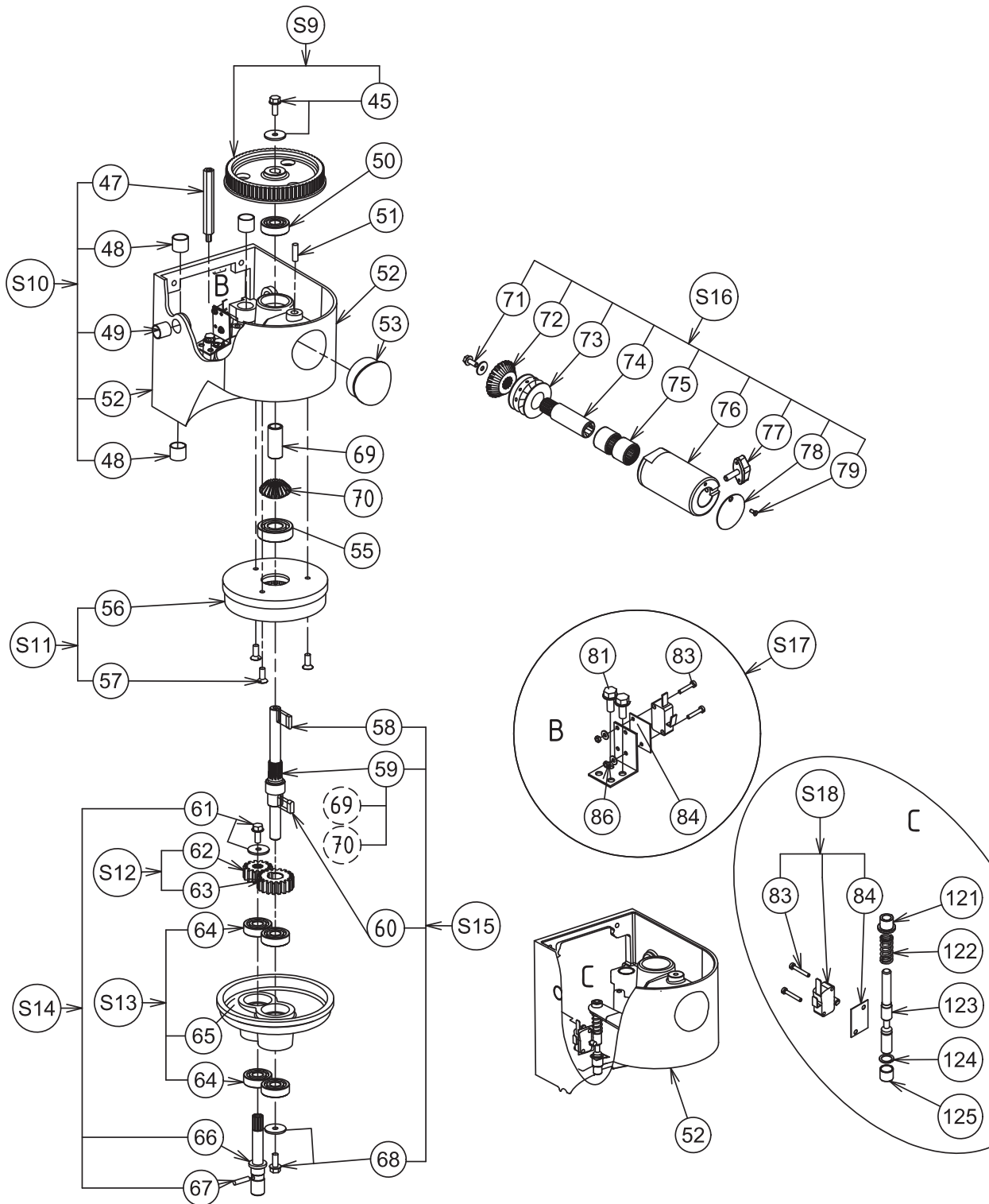




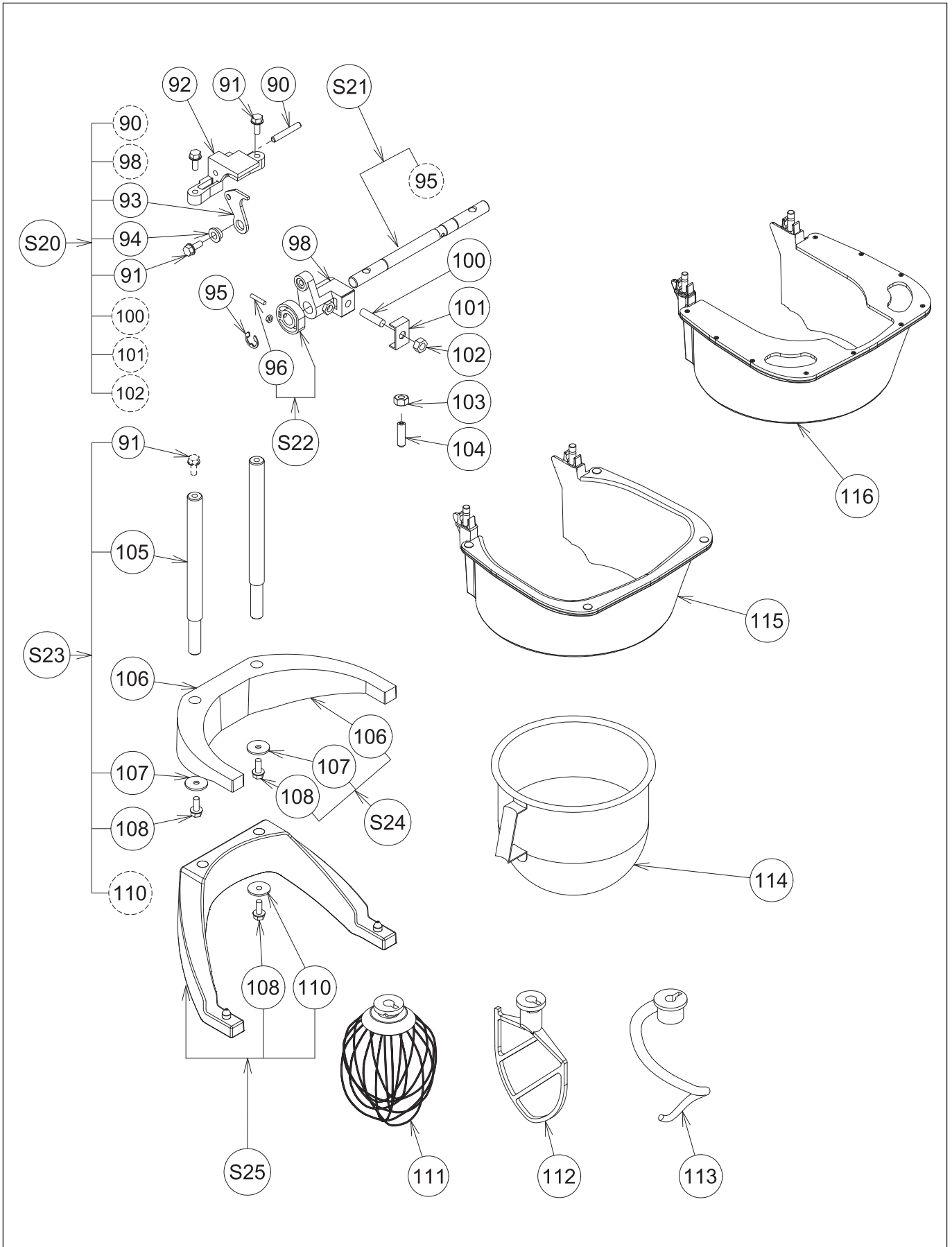
BE5 / BE8 - Parts list - Mechanism

Pos.	Code	Description	V	W&T	Ref.	Notes	S/N break
45	0KQ494	Hm 6x12 screw (set x 10)					
45	0D0513	L6 washer (set x 10)					
47	0U0574	Connecting rod					
48	0D1022	16x22x16 bearing bush (set x 5)		X			
49	0D1007	14x16x10 bearing bush (set x 5)		X			
50	0D7339	6201 2rs rolling bearing		X			
51	0D1702	SHC M6x20 screw (set x 10)					
51	0D0503	HU M6 stainless steel Nut (set x 10)					
52	0D7338	Body					
53	0D0712	Accessory socket plug			H		
55	0D8256	6203 2rs rolling bearing		X			
56	0D5078	Ring gear		X			
57	0D0664	F M6x16 (set x 10)					
58	0D0552	4x4x16 cotter pin (set x 5)					
59	0D6046	Accessory sun gear shaft	X				
60	0D0635	C 5x5x14 cotter pin (set x 5)					
61	0D7206	TFX M5x10 screw (set x 10)					
61	0D7207	M5 bevel washer (set x 10)					
62	0U0513	Planet wheel		X			
63	0U0514	Sun gear pinion		X			
64	0D7339	6201 2rs rolling bearing		X			
65	0D3315	Planetary gear	X				
66	0D1830	Cutting tool shaft		X			
67	0D0396	G05 5x20 pin (set x 10)		X			
68	0KQ494	Hm 6x12 stainless steel screw (set x 10)					
68	0D0620	24x6.2x2 washer (set x 10)					
69	0D2181	Accessory socket spacer					
70	0KQ421	Bevel pinion		X			
71	0D0537	H 5x10 screw (set x 10)			E		
71	0D0546	M 5 washer (set x 10)			E		
72	0KQ421	Bevel wheel		X	E		
73	0D6458	Needles end stop		X	E		
74	0D3312	Accessory shaft			E		
75	0D7340	Socket has needles (set x 2)		X	E		
76	0D3517	Accessory socket			E		
77	0D7336	Black button M6x20		X	E		

BE5 / BE8 - Exploded view - Mechanism



Pos.	Code	Description	V	W&T	Ref.	Notes	S/N break
78	0D3883	Gate			E		
79	0D0663	F M3x10 screw (set x 10)			E		
81	0U0665	H M4x10 stainless steel screw (set x 10)					
83	0KQ511	C 3x16 stainless steel screw (set x 10)					
84	0U0268	Insulator	X				
86	033987	Hu M3 stainless steel nut (set x 10)					
86	033986	M3 washer (set x 10)					
121	0D7795	8x12x12 bearing bushing		X			
122	0KQ353	Spring		X			
123	0D7796	Spindle					
124	0D6569	10E circlip (set x 10)					
125	0D7794	10x12x10 bearing bushing		X			
S9	0KQ582	Driven pulley assembly		X			
S10	0D7319	Body assembly					
S11	0D0869	Ring gear assembly		X			
S12	0D0871	Planet wheel kit		X			
S13	0D3352	Planetary gear assembly	X				
S14	0D0341	Tool shaft assembly					
S15	0D0870	PA Sun gear shaft assembly					
S16	0D7343	Barrel assembly		X	E		
S17	0D2592	Microswitch assembly	X				
S18	0D7743	Microswitch bowl assembly	X				



Pos.	Code	Description	V	W&T	Ref.	Notes	S/N break
90	0D0400	G01 6x30 pin (set x 10)					
91	0D0555	Taptite M6x25 screw (set X10)					
92	0KJ760	Stand cross piece					
93	0D0090	Connecting rod					
94	0KQ331	Ring					
94	0KQ370	M6 washer					
95	0D0648	Truarc 14e retaining ring (set x 10)					
96	0KQ526	STHC M4x8 screw (set x 10)					
96	0KL159	Hu M4 stainless nut (set x 10)					
98	0D0092	Crank handle					
100	0D0553	Shc pointed screw M8x25 (set x 10)					
101	0D0084	Crank handle cap					
102	0KQ523	Hm M8 stainless steel (set x 10)					
103	0D0503	Hu M6 stainless steel nut (set x 10)					
104	0D1702	Shc screw M6x20 (set x 10)					
105	0D0089	Stand					
106	0D1615	BE5 Flat cradle					
107	0D0620	Washer 24x6,2x2 (set x 10)					
108	0D0499	H M6x16 stainless steel screw (set x 10)					
110	0D2878	CS L6 Washer (set x 10)					
111	653757	Whisk 5 Liters		X	F		
111	653769	Whisk 8 Liters		X	G		
112	653756	Paddle beater 5 Liters		X	F		
112	653768	Paddle 8 Liters		X	G		
113	653765	Hook 5 Liters		X	F		
113	653767	Hook 8 Liters		X	G		
114	653295	Bowl 5 Liters		X	F		
114	653766	Bowl 8 Liters		X	G		
115	0D7344	Screen		X			
116	653781	Closed splash guard		X	H		
116	653782	Closed splash guard for accessory		X	E		
S20	0D2595	Crank connecting rod assembly					
S21	0D7345	Screen pin assembly					
S22	0D7346	Cam assembly					
S23	0D2593	Stand assemblies					
S24	0D0867	BE5 Cradle assembly			F		
S25	0D7347	BE8 Cradle assembly			G		





CE