

**XBE20 / XBB20 / XBE30 / XBB30**

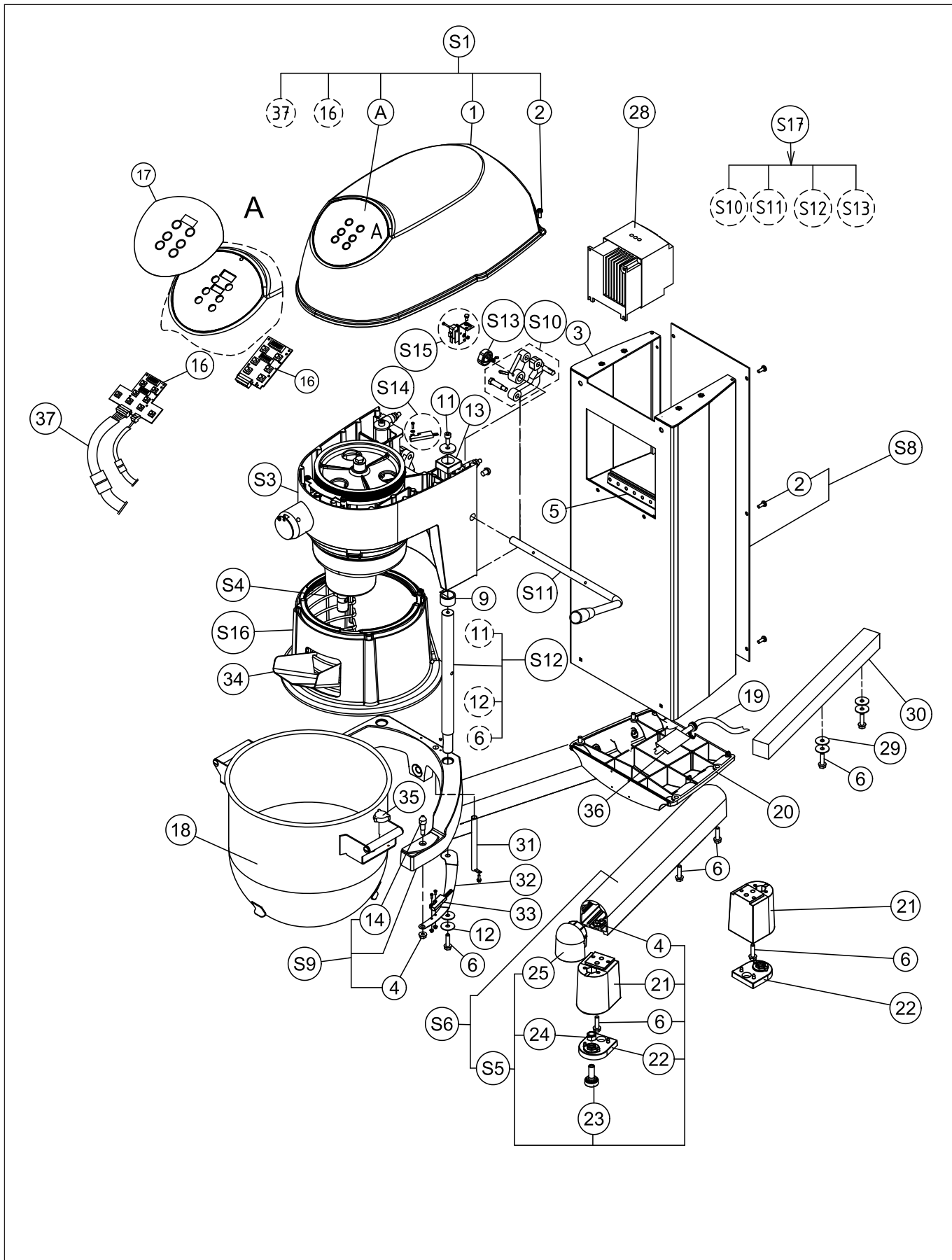
PNC	Model	Modules	Description	Note
600253	XBE20AS	B;C;D;G;H	PLANETARY MIXER ELECTRONIC - 20L - ACCESSORY HUB - FLOOR	
600235	XBE20AS	B;C;D;E;G;H	PLANETARY MIXER ELECTRONIC - 20L - ACCESSORY HUB - STAINLESS STEEL - FLOOR	
600236	XBE20S	B;C;E;G;H	PLANETARY MIXER ELECTRONIC - 20L - STAINLESS STEEL - FLOOR	
600237	XBE20AS	B;C;D;E;F;H	PLANETARY MIXER ELECTRONIC - 20L - ACCESSORY HUB - STAINLESS STEEL - TABLE	
600240	XBE20S	B;C;F;H	PLANETARY MIXER ELECTRONIC - 20L - TABLE	
600244	XBE20AS	B;C;D;F;H	PLANETARY MIXER ELECTRONIC - 20L - ACCESSORY HUB - TABLE	
600248	XBE20S	B;C;G;H	PLANETARY MIXER ELECTRONIC - 20L - FLOOR	
600155	XBE20S	A;C;F;H	PLANETARY MIXER ELECTRONIC - 20L - TABLE	
600156	XBE20AS	A;C;D;F;H	PLANETARY MIXER ELECTRONIC - 20L - ACCESSORY HUB - TABLE	
600157	XBE20S	A;C;G;H	PLANETARY MIXER ELECTRONIC - 20L - FLOOR	
600158	XBE20AS	A;C;D;G;H	PLANETARY MIXER ELECTRONIC - 20L - ACCESSORY HUB - FLOOR	
600159	XBE20S	A;C;E;G;H	PLANETARY MIXER ELECTRONIC - 20L - STAINLESS STEEL - FLOOR	
600160	XBE20AS	A;C;D;E;G;H	PLANETARY MIXER ELECTRONIC - 20L - ACCESSORY HUB - STAINLESS STEEL - FLOOR	
600269	XBE30AS	B;C;D;I	PLANETARY MIXER ELECTRONIC - 30L - ACCESSORY HUB	
600261	XBE30AS	B;C;D;E;I	PLANETARY MIXER ELECTRONIC - 30L - ACCESSORY HUB - STAINLESS STEEL	
600262	XBE30S	B;C;E;I	PLANETARY MIXER ELECTRONIC - 30L - STAINLESS STEEL	
600266	XBE30S	B;C;I	PLANETARY MIXER ELECTRONIC - 30L	
600167	XBE30S	A;C;I	PLANETARY MIXER ELECTRONIC - 30L	
600168	XBE30AS	A;C;D;I	PLANETARY MIXER ELECTRONIC - 30L - ACCESSORY HUB	
600169	XBE30S	A;C;E;I	PLANETARY MIXER ELECTRONIC - 30L - SATINLESS STEEL	
600170	XBE30AS	A;C;D;E;I	PLANETARY MIXER ELECTRONIC - 30L - ACCESSORY HUB - STAINLESS STEEL	
600255	XBB20S	B;C;G;H;J	PLANETARY MIXER ELECTRONIC - 20L - FLOOR - SPECIAL FOR BAKERY	
600161	XBB20S	A;C;G;H;J	PLANETARY MIXER ELECTRONIC - 20L - FLOOR - SPECIAL FOR BAKERY	
600271	XBB30S	B;C;G;I;J;	PLANETARY MIXER ELECTRONIC - 30L - FLOOR - SPECIAL FOR BAKERY	
600171	XBB30S	A;C;G;I;J;	PLANETARY MIXER ELECTRONIC - 30L - FLOOR - SPECIAL FOR BAKERY	



**XBE20 / XBB20 / XBE30 / XBB30****Modules classifications**

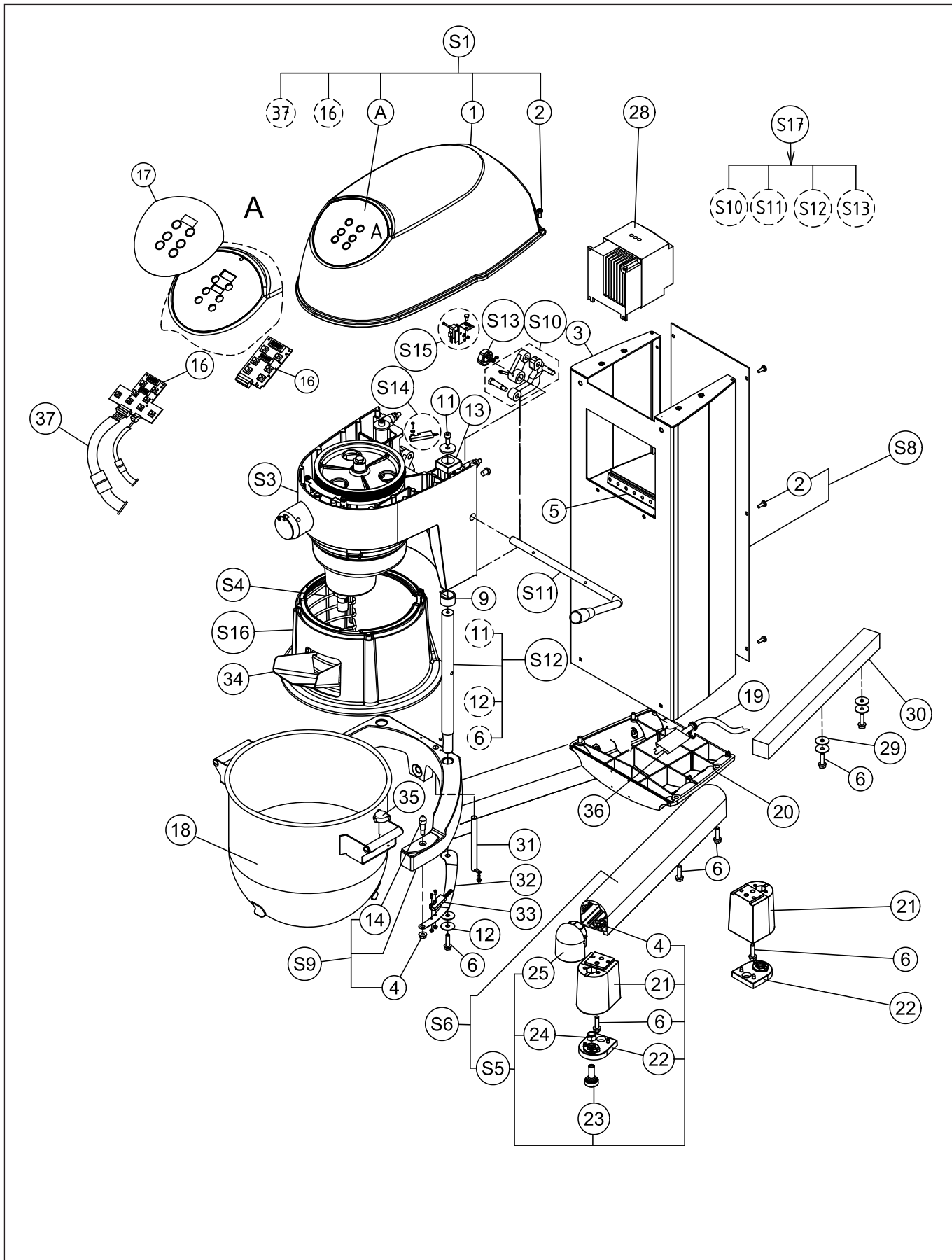
<b>A</b>	DITO SAMA
<b>B</b>	ELECTROLUX PROFESSIONAL
<b>C</b>	200-240 50/60
<b>D</b>	ACCESSORY HUB
<b>E</b>	STAINLESS STEEEL
<b>F</b>	TABLE
<b>G</b>	FLOOR
<b>H</b>	BOWL 20L
<b>I</b>	BOWL 30L
<b>J</b>	SPECIAL FOR BAKERY

<b>Pag.</b>	<b>Index</b>
4	Exploded view - Structure
5	Parts list - Structure
8	Exploded view - Motor
9	Parts list - Motor
10	Exploded view - Mechanism
11	Parts list - Mechanism
14	Exploded view - Castors (optional)
15	Parts list - Castors (optional)



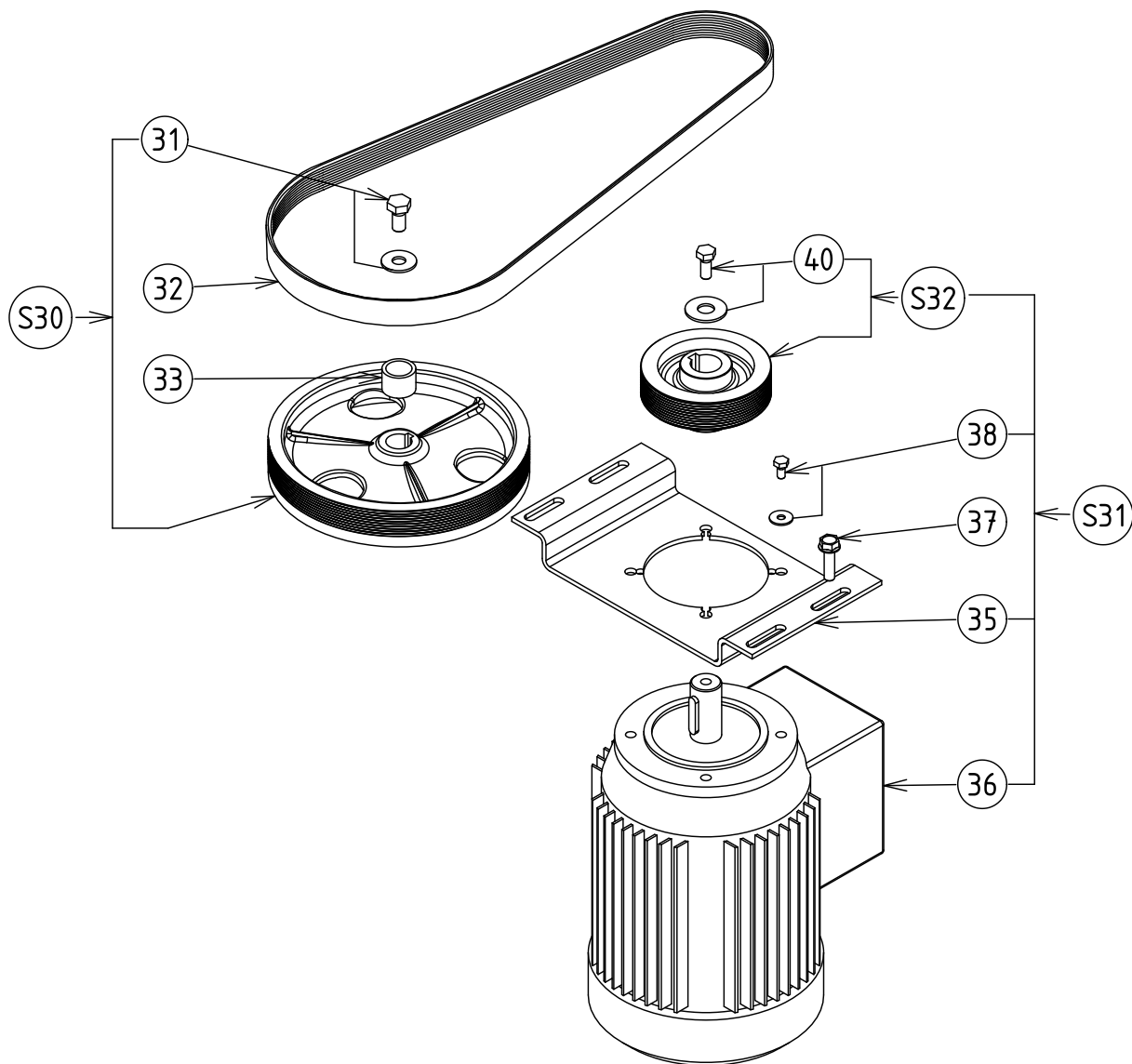
XBE20 / XBB20 / XBE30 / XBB30 - Parts list - Structure

Pos.	Code	Description	V	W&T	Ref.	Notes	S/N break
1	0D7812	Cover					
2	0D3333	Screw torx M6x16 (set x 10)					
3	0D6463	Table column XBE			<b>F</b>		
3	0D6465	Table stainless steel column XBE			<b>F</b>		
3	0D6464	Floor column			<b>G</b>		
3	0D6466	Floor stainless steel column			<b>G</b>		
4	0D3590	Nut hu M8 notched base (set x 10)					
5	0D6574	Component support rail assembly					
6	0D6084	Screw TH notched M8x30 (set x 10)					
9	0D1035	Raising and lowering bush (set x 2)		X			
11	0D6084	Screw TH notched M8x30 (set x 10)					
12	0D6275	Flange washer (set x 5)					
13	0U0535	Flexible stopper		X			
14	0KQ284	Bowl pin					
16	0D5113	Control board XBE	X				
16	0D5367	3 speed control board XBB	X				
17	0DF167	Control panel XBE		X	<b>A</b>		
17	0DF168	Control panel XBE		X	<b>B</b>		
17	0DF165	Control panel XBB		X	<b>A</b>		
17	0DF166	Control panel XBB		X	<b>B</b>		
18	650121	Bowl 20 litres		X	<b>H</b>		
18	650123	Bowl 30 litres		X	<b>I</b>		
19	0D3463	Single phase power assembly	X				
20	0D2781	Base XBE					
20	0D6085	Base XBB			<b>J</b>		
21	0D6137	Foot					
22	0D2778	Pad (set x 4)		X			
23	0D2779	Adjustable pad (set x 2)		X			
24	0KQ496	Nut M12 (set x 10)					
25	0D2776	Tube end piece (set x 4)					
28	0D3461	Variator XBE20	X				
28	0D3462	Variator XBE30	X				
28	0D5365	Variator assembly XBB	X		<b>J</b>		
29	0D0630	Washer LL8 (set x 10)					
30	0D6136	Counter weight					
31	0D7744	Bowl presence tube					
32	0D7745	Sensor support XBE20 - XBB20			<b>H</b>		



XBE20 / XBB20 / XBE30 / XBB30 - Parts list - Structure

Pos.	Code	Description	V	W&T	Ref.	Notes	S/N break
32	0D7746	Sensor support XBE30 - XBB30			I		
33	0D7747	Sensor assembly	X				
33	0D5308	Screw TC M3x12 (set x 10)					
33	0D7383	Nut HU M3 (set x 10)					
34	0D7748	Chute		X			
35	0D7750	Magnet support assembly		X			
36	0D7825	Filter assembly	X				
37	0D6976	Lead assembly	X				
S1	0D7807	Cover assembly XBE					
S1	0D7718	Cover assembly XBB					
S3	0D6471	Complete head (without accessory hub)					
S3	0D6472	Complete head (with accessory hub)			D		
S4	0D7814	Complete wire screen					
S5	0D2777	Foot assembly					
S6	0D2780	Complete foot tube XBE					
S6	0D6089	Complete foot tube XBB			J		
S8	0D7582	Rear plate floor model			G		
S8	0D7581	Rear plate table model XBE			F		
S9	0H1038	20 litres cradle assembly			H		
S9	0U0557	30 litres cradle assembly			I		
S10	0D2683	Control rod assembly					
S11	0D2774	Raising and lowering lever		X			
S12	0D5363	Rod assembly					
S13	0D2773	Raising and lowering safety device cam					
S14	0D2771	Screen safety device	X				
S15	0D2772	Raising and lowering safety device	X				
S16	0D7749	Screen		X			
S17	0D2775	Raising and lowering control device					

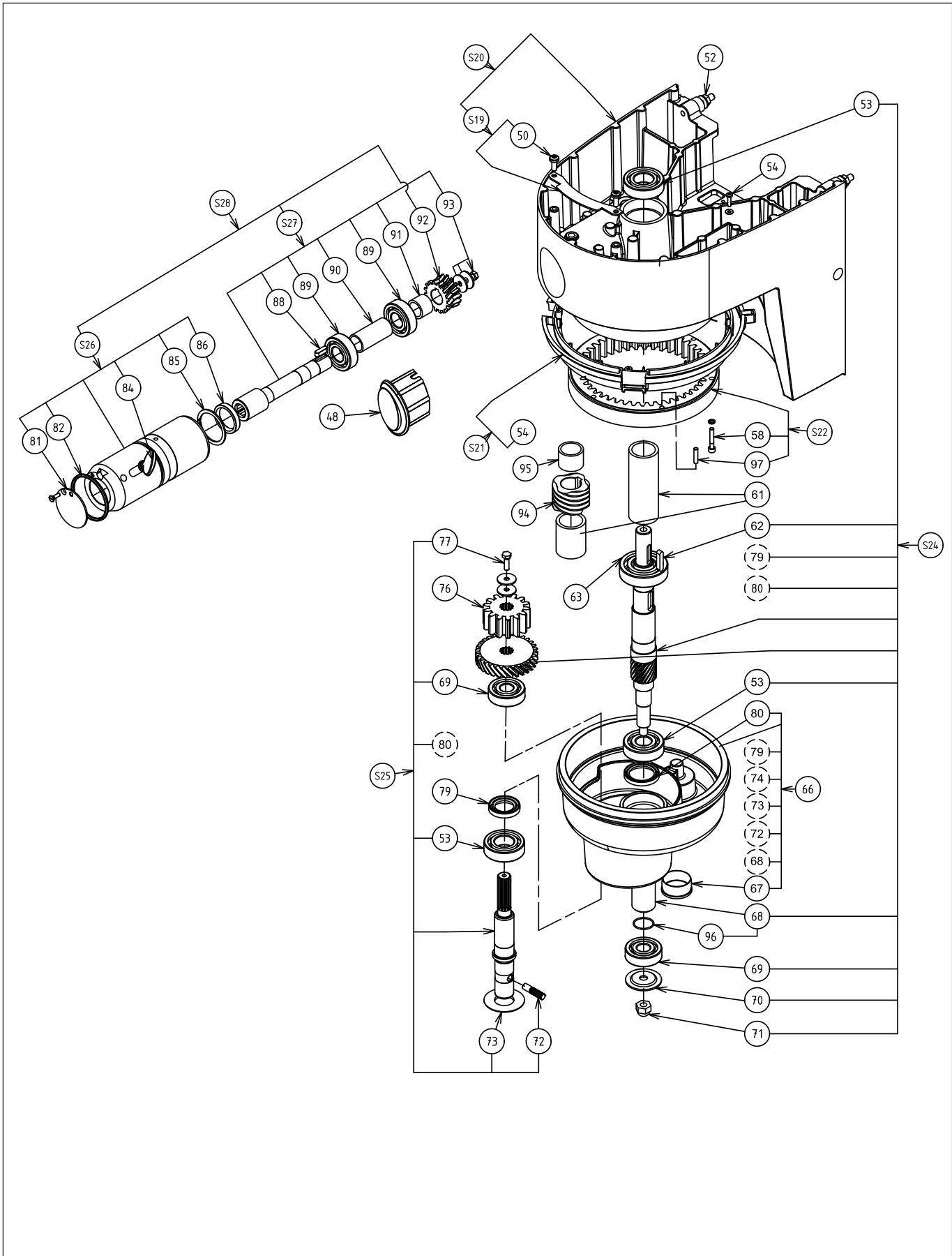




XBE20 / XBB20 / XBE30 / XBB30 - Parts list - Motor

Pos.	Code	Description	V	W&T	Ref.	Notes	S/N break
31	0D6064	Screw M10x25 (set x 10)					
31	0KQ506	Washer 10x27 (set x 10)					
32	0D3929	Poly v belt	X	X			
33	0D3633	Spacer					
35	0D7580	Motor support					
36	0D3453	Motor XBE20	X		H		
36	0D7587	Motor XBE30 XBB	X		I;J		
37	0D6084	Screw M8x30 (set x 10)					
38	0D6786	Screw M6x12 (set x 10)					
38	0D0644	Screw CHC M8x16 (set x 10) XBE30					
40	0D0595	Screw TH M6x25 (set x 10)					
40	0D0627	Washer CL M6 (set x 10)					
S30	0D3450	Driven pulley assembly					
S31	0D3455	Motor drive assembly XBE20	X		H		
S31	0D7585	Motor drive assembly XBE30 XBB	X		I;J		
S32	0D3451	Drive pulley assembly					

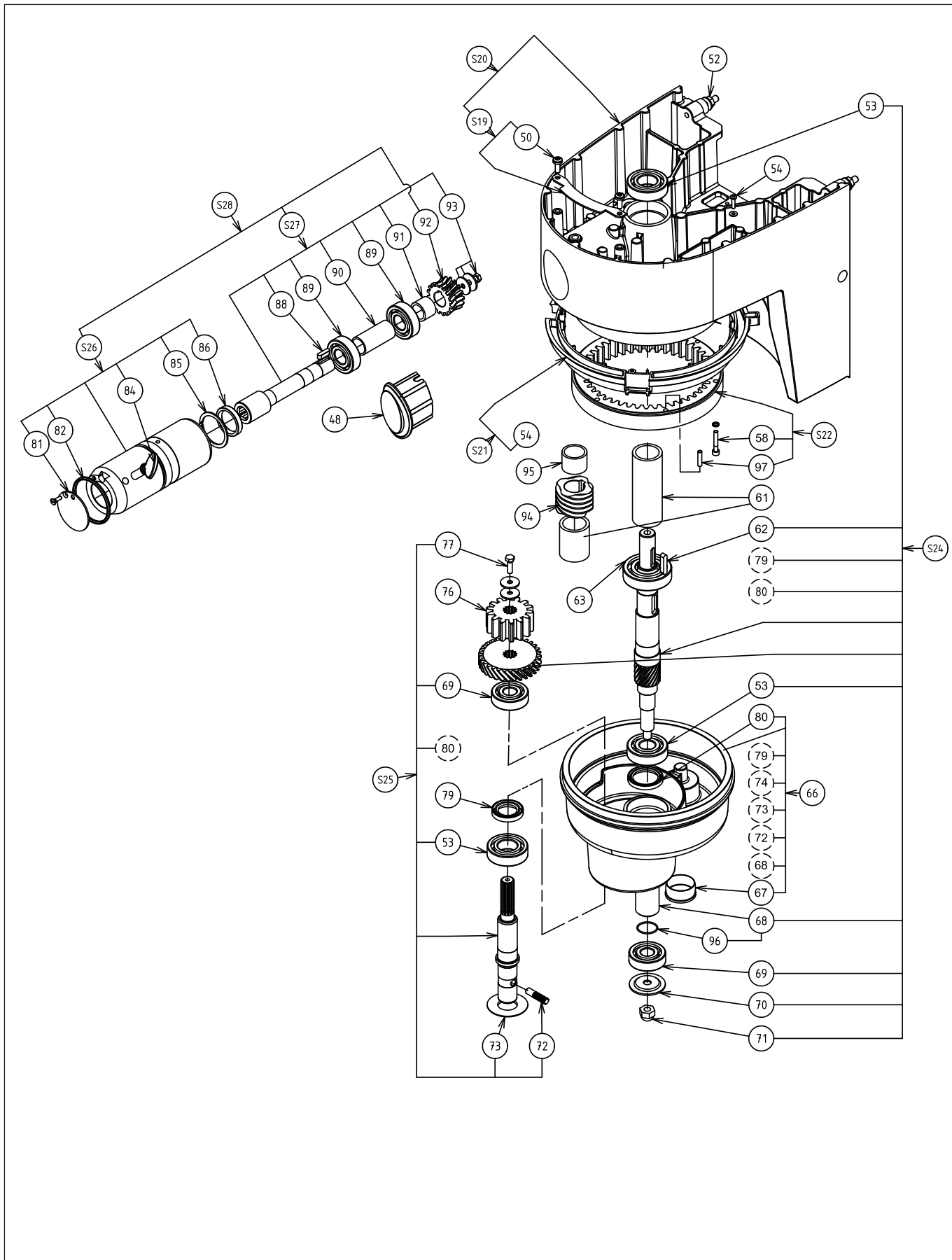
XBE20 / XBB20 / XBE30 / XBB30 - Exploded view - Mechanism



XBE20 / XBB20 / XBE30 / XBB30 - Parts list - Mechanism

Pos.	Code	Description	V	W&T	Ref.	Notes	S/N break
48	0D5368	Accessory hub cap					
50	0D3333	Torx taptite screw M6x16 (set x 10)					
52	0D3590	Nut HU M8 notched base (set x 10)					
53	0KQ394	Bearing 6205 2RS		X			
54	0D1009	Screw PT WN k40/16 (set x 10)					
54	0D0631	Contact washer (set x 10)					
58	0KQ491	Washer (set x 10)					
58	0D6118	Screw CHC M5x30 (set x 10)					
61	0D6130	Spacer Longeur 104 no accessories hub version					
61	0D6129	Lower spacer Longeur 47 accessories hub version			D		
62	0KQ487	Key A 6x6x30 (set x 10)					
63	0D0006	Bearing 6206 2RS		X			
66	0D6110	Planetary gear system					
67	0D5962	GPN 300 hub (set x 10)					
68	0D6749	Spacer assembly					
69	0KI590	Bearing 6303 2RS1		X			
70	0U0409	Sun gear washer					
71	0D0584	Cap nut M10 (set x 5)					
72	0D0955	Tool holder shaft pin (set x 5)		X			
73	0D0954	Protective washer (set x 2)					
76	0D2721	Cogwheel 14-tooth		X			
77	0KQ512	Screw TH 6x20 (set x 10)					
77	0D0627	Washer CL M6 (set x 10)					
79	0U0491	Lipped seal 25x42x10		X			
80	0KQ342	Lipped seal 30x42x7		X			
81	0D1052	Accessory socket cover plate			D		
82	0D6041	O-ring 55,56x3,53 (set x 10)		X	D		
84	0KQ334	Violin screw			D		
85	0D0656	Circlips 47 (set x 10)			D		
86	0H1040	Lipped seal 30x40x7 (set x 5)		X	D		
88	0KQ488	Cotter pin A6x6x20 (set x 10)			D		
89	0KQ395	Bearing 6204 ddu		X	D		
90	0KL162	Spacer			D		
91	0D3633	Spacer			D		

XBE20 / XBB20 / XBE30 / XBB30 - Exploded view - Mechanism



XBE20 / XBB20 / XBE30 / XBB30 - Parts list - Mechanism

Pos.	Code	Description	V	W&T	Ref.	Notes	S/N break
92	0D2753	Accessory socket wheel		X	D		
93	0KQ512	Screw TH M6x20 (set x 10)			D		
93	0D0627	Washer CL M6 (set x 10)			D		
94	0D6128	Accessories hub screw		X	D		
95	0D6127	Accessories hub upper space			D		
96	0KQ575	O-ring 17,12x2,62 (set x 5)		X			
97	0D7350	Pin (set x 10)					
S19	0D2754	Tab assembly					
S20	0D6470	Basic head					
S21	0D1699	Shell assembly					
S22	0D7333	Crown wheel assembly		X			
S24	0D2758	Sun wheel shaft and wheel assembly		X			
S25	0D2757	Tool holder shaft assembly		X			
S26	0D2750	Sleeve assembly XBE		X	D		
S27	0D2752	Accessory socket shaft assembly XBE		X	D		
S28	0D2751	Accessory socket assembly XBE		X	D		



XBE20 / XBB20 / XBE30 / XBB30 - Parts list - Castors (optional)

Pos.	Code	Description	V	W&T	Ref.	Notes	S/N break
201	0D5391	Shaft + pedal					
202	0D5394	Left support					
203	0D0551	Taptite screw M6x12 (set x 10)					
204	0D1659	Locking nut M6 (set x 10)					
205	0D0619	Washer CS L6 (set x 10)					
206	0D5395	Rear support					
207	0KQ512	Screw TH M6x20 (set x 10)					
208	0D0533	Lock washer int8 (set x 10)					
209	0D0641	Locking nut M8 (set x 10)					
210	0D0642	Nut hu M8 (set x 10)					
211	0D5357	Wheel + spacer (set x 3)					
212	0D0599	Screw TH M6x45 (set x 10)					
213	0D5396	Rear plate					
214	0D1660	Screw TCHC M8x25 (set x 10)					
215	0D5397	Rear shaft					
216	0D5392	Connecting arm					
217	0D5393	Right support					

CE