

**MBE40**

PNC	Model	Modules	Description	Note
600276	MBE 40 S	B;C;H	PLANETARY MIXER - VARIABLE SPEED - 200/240V	
600172	MBE 40 AS	A;C;E;H	PLANETARY MIXER - VARIABLE SPEED - 200/240V - ACCESSORY HUB	
600173	MBE 40 S	A;C;F	PLANETARY MIXER - VARIABLE SPEED - 200/240V - STAINLESS STEEL	
600175	MBE 40 S	A;C;H	PLANETARY MIXER - VARIABLE SPEED - 200/240V	
600272	MBE 40 AS	B;C;E;H	PLANETARY MIXER - VARIABLE SPEED - 200/240V - ACCESSORY HUB	
600273	MBE 40 S	B;C;F	PLANETARY MIXER - VARIABLE SPEED - 200/240V - STAINLESS STEEL	
600275	MBE 40 S	B;D;H	PLANETARY MIXER - VARIABLE SPEED - 380/440V	
600176	MBE 40 S	A;D;H	PLANETARY MIXER - VARIABLE SPEED - 380/440V	
600299	MBE 40 AS	B;D;E;H	PLANETARY MIXER - VARIABLE SPEED - 380/440V - ACCESSORY HUB	
602073	MBE 40 S	B;D;G;H	PLANETARY MIXER - VARIABLE SPEED - 380/440V - PH	until 31/12/2022

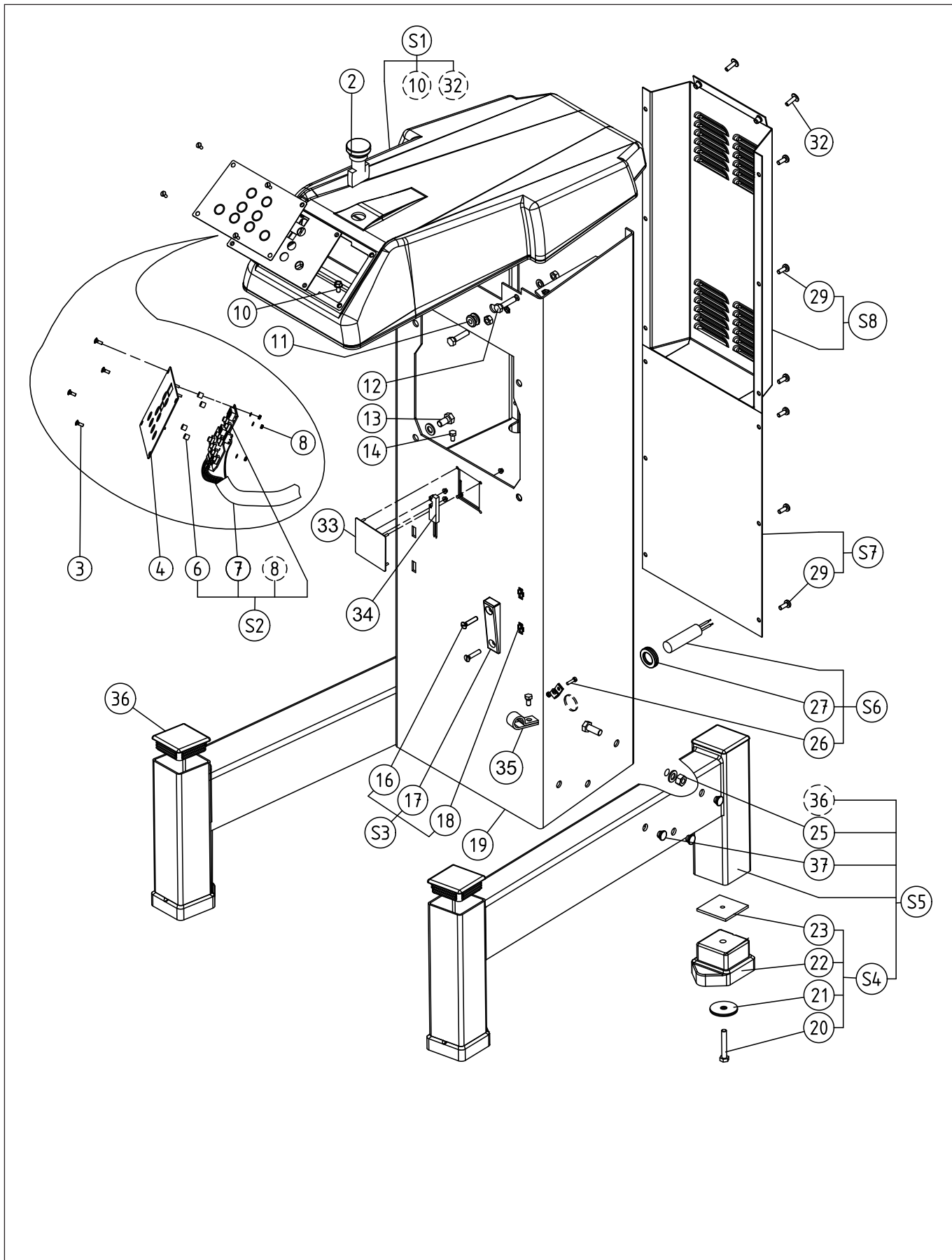


**MBE40****Modules classifications**

<b>A</b>	DITO SAMA
<b>B</b>	ELECTROLUX PROFESSIONAL
<b>C</b>	I - 200-240v 50/60hz
<b>D</b>	III - 380-440v 50/60hz
<b>E</b>	ACCESSORY HUB
<b>F</b>	STAINLESS STEEL
<b>G</b>	PIZZA HUT
<b>H</b>	STANDARD RAL7035

<b>Pag.</b>	<b>Index</b>
4	Exploded view - Cover, control board, column, foot
5	Parts list - Cover, control board, column, foot
8	Exploded view variable - Speed Drive Plate
9	Parts list variable - Speed Drive Plate
10	Exploded view - Mechanism
11	Parts list - Mechanism
16	Exploded view - Raising and lowering
17	Parts list - Raising and lowering
22	Exploded view - Accessory hub
23	Parts list - Accessory hub

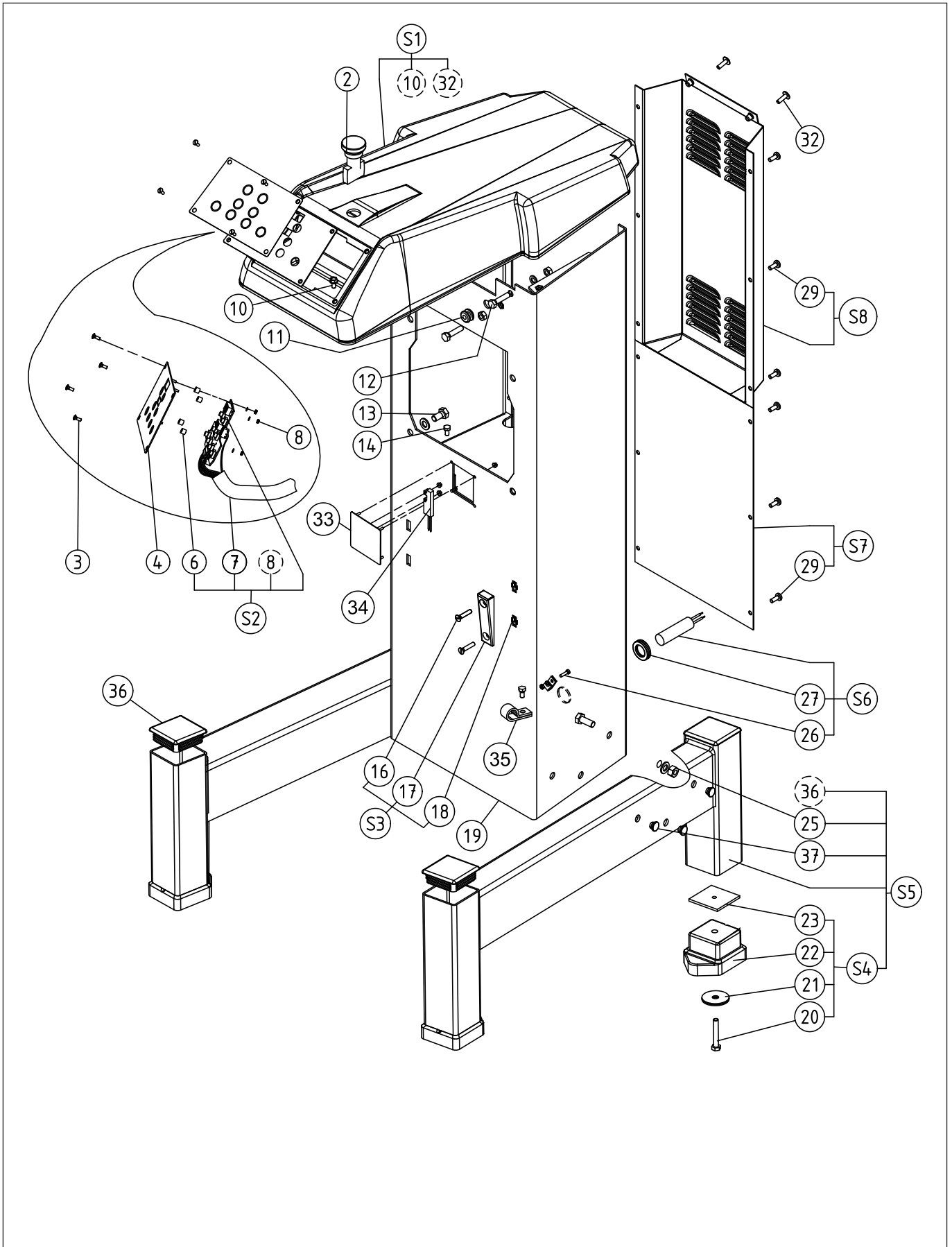
MBE40 - Exploded view - Cover, control board, column, foot



MBE40 - Parts list - Cover, control board, column, foot

Pos.	Code	Description	V	W&T	Ref.	Notes	S/N break
2	0D6692	Stop buttom	X				
3	0D0521	Screw FB M4x10 (set x 10)					
4	0DF180	Label		X	A		
4	0DF181	Label		X	B		
6	0D5633	Spacer C I (set x 10)	X				
7	0D6707	Control harness ass.	X		D		
7	0D6896	Single phase Control harn	X		C		
8	0D5188	Washer PE M3 (set x 10)					
8	033987	Nut HU M3(set x 10)					
10	0D2901	Stainless steel collar screw M6x16 (set x 10)					
11	0D6184	Grommet 11x15x3 (set x 5)		X			
12	0D0591	Stainless steel screw H M8x35 (set x 10)					
12	0D3538	Washer CS L8(set x 10)					
12	0D0642	Stainless steel Nut H M8 (set x 10)					
13	0U0662	Screw H 10x16 (set x 10)					
13	0D0623	Washer CS L10 ( x 10)					
14	0KQ494	Stainless steel screw H M6x12 (set x 10)					
16	0D2345	Screw F M6x35 (set x 10)					
17	0D1955	Tapered shim					
18	0D3552	Captive nut M6x2.6-3.5 (set x 10)					
19	0D6683	Column assembly					
19	0D7523	Column stainless steel assembly			F		
20	0D0598	Screw H M8x50 (set x 10)					
21	0D3581	Washer /50x10,5x2 (set x 10)					
22	0U0565	Pad		X			
23	0D1956	Nut					
25	0D2958	Nut HU M10 (set x 10)					
25	0D0623	Washer CS L10 (set x 10)					
25	0D6064	Stainless steel screw H M10x25 (set x 10)					
26	0D0612	Stainless steel screw C M4x16 (set x 10)					
26	0D1177	Collar CV10		X			
26	0D7990	Nut HU M4 (set x 10)					
27	0D3031	Grommet (set x10)		X			
29	0D3333	Taptite screw M6x16 (set x 10)					
32	0U0237	Stainless steel screw RL M6x20 (set x 10)					

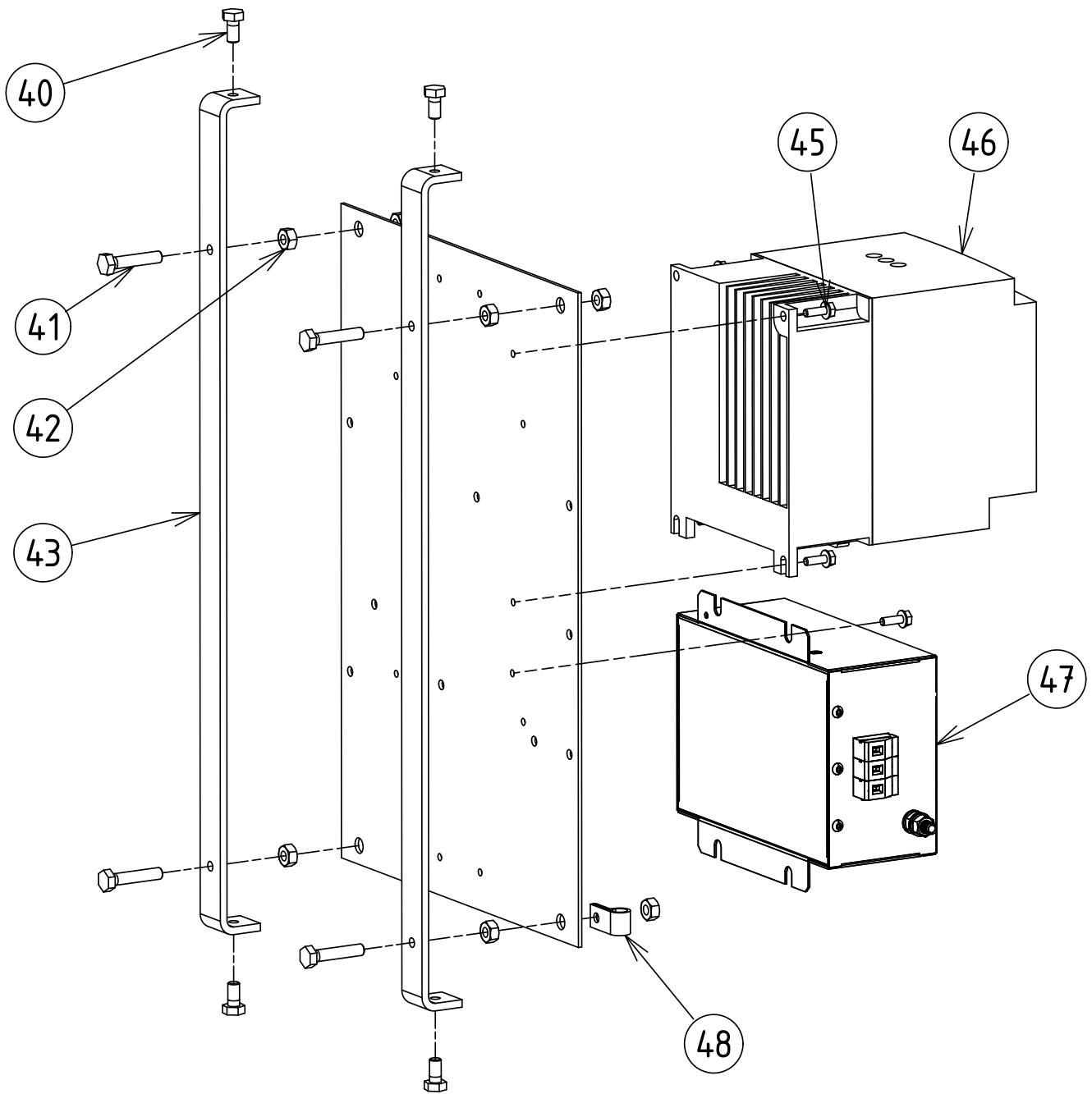
MBE40 - Exploded view - Cover, control board, column, foot



MBE40 - Parts list - Cover, control board, column, foot

Pos.	Code	Description	V	W&T	Ref.	Notes	S/N break
33	0D7752	Detector support					
33	0D7383	Nut HU M3 (set x 10)					
34	0D6190	Detector					
35	0D1177	Collar CV10					
35	0D6724	CX screw M4x10 ( set x 10)					
36	0KQ632	Squarre plug 70x70x3					
37	0D3601	Cap plug GPN F9					
<b>S1</b>	0D6674	Cover assembly					
<b>S2</b>	0D6704	Three-phase control card	X		<b>D</b>		
<b>S2</b>	0D6705	Single phase control card	X		<b>C</b>		
<b>S2</b>	0D7899	Single phase c.c P.H.	X		<b>G</b>		→ 31/12/2022
<b>S3</b>	0D1097	Tapered shim ass (set x 4)					
<b>S4</b>	0D6677	Patin équipé / Pad assembly		X			
<b>S5</b>	0D6679	Right/Left foot RAL7035 assembly			<b>H</b>		→ 05/2022
<b>S5</b>	0D8287	Right/Left foot RAL 7035 assembly			<b>H</b>		06/2022 →
<b>S5</b>	0D7514	Right/Left foot stainless steel assembly			<b>F</b>		→ 06/2022
<b>S5</b>	0DF007	Right/Left foot stainless steel assembly			<b>F</b>		07/2022 →
<b>S6</b>	0D6680	Three phase power supply cable assembly	X		<b>D</b>		
<b>S6</b>	0D6706	Single phase power supply assembly	X		<b>C</b>		
<b>S7</b>	0D6681	Lower rear plate assembly			<b>H</b>		
<b>S7</b>	0D7516	Stainless steel Lower rear plate assembly			<b>F</b>		
<b>S8</b>	0D6682	Upper rear plate assembly			<b>H</b>		
<b>S8</b>	0D7515	Stainless steel upper rear plate assembly			<b>F</b>		

MBE40 - Exploded view - Variable Speed Drive Plate

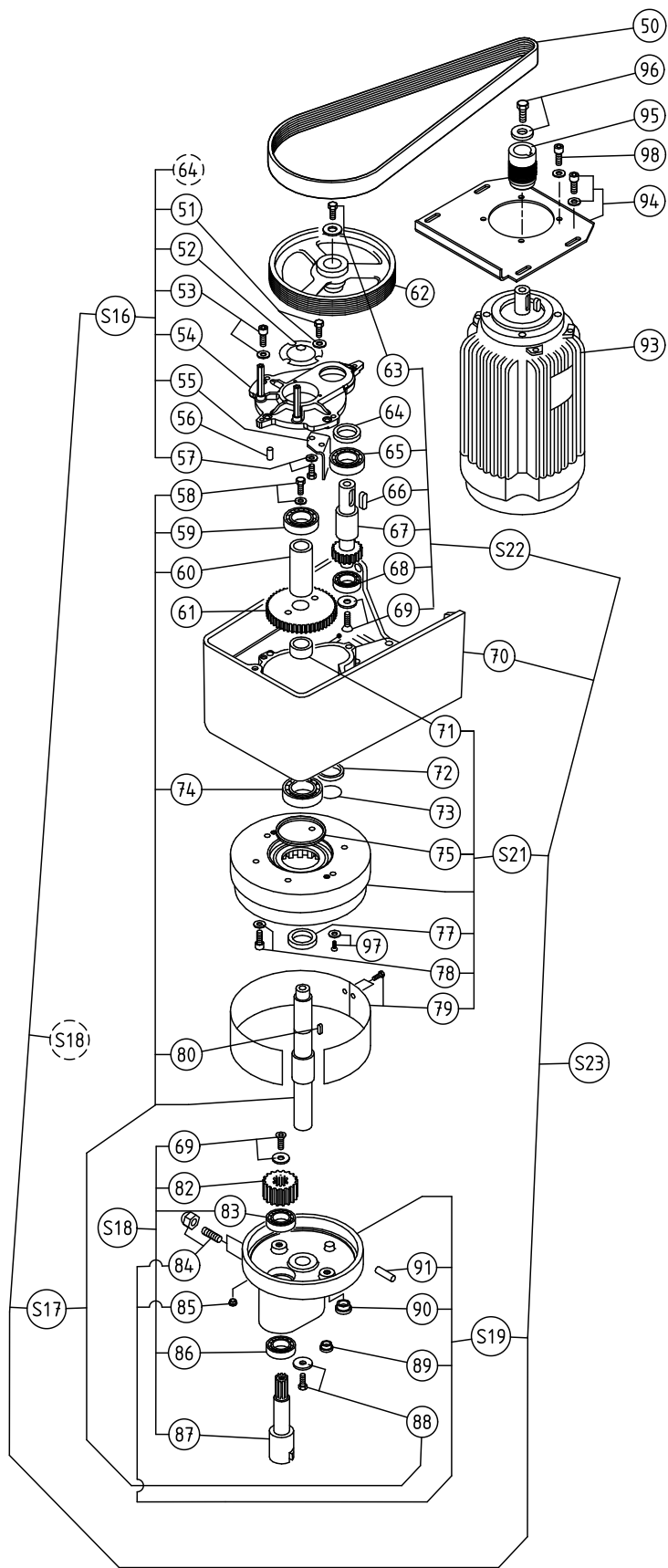




MBE40 - Parts list - Variable Speed Drive Plate

Pos.	Code	Description	V	W&T	Ref.	Notes	S/N break
40	0D6786	Stainless steel screw H M6x12 (set x 10)					
40	0D0503	Stainless steel nut H M6 (set x 10)					
41	0KQ512	Stainless steel screw H M6x20 (set x 10)					
42	0D0503	Stainless steel nut H M6 (set x 10)					
43	0D6690	Equipped stirrup					
45	0D5233	Screw TORX M4x16 (set x 10)					
45	0D0631	Washer 4 (set x 10)					
45	0D3065	Nut HU M4 (set x 10)					
46	0D6710	Three phase frequency inverter assembly	X		D		
46	0D7965	Three phase frequency P.H.	X		G		→ 31/12/2022
46	0D0823	Single phase frequency inverter assembly	X		C		
46	0D7900	Single phase frequency P.H.	X		G		→ 31/12/2022
47	0D7800	Three phase assembly filter	X		D		→ 11/2022
47	0D8295	Filter assembly	X				12/2022 →
47	0D5323	Screw M4x16 (set x 10)					
47	0D0621	Washer (set x 10)					
47	0D3065	Nut M4 (set x 10)					
48	0D6040	Collar CV8 (set x 10 )		X			

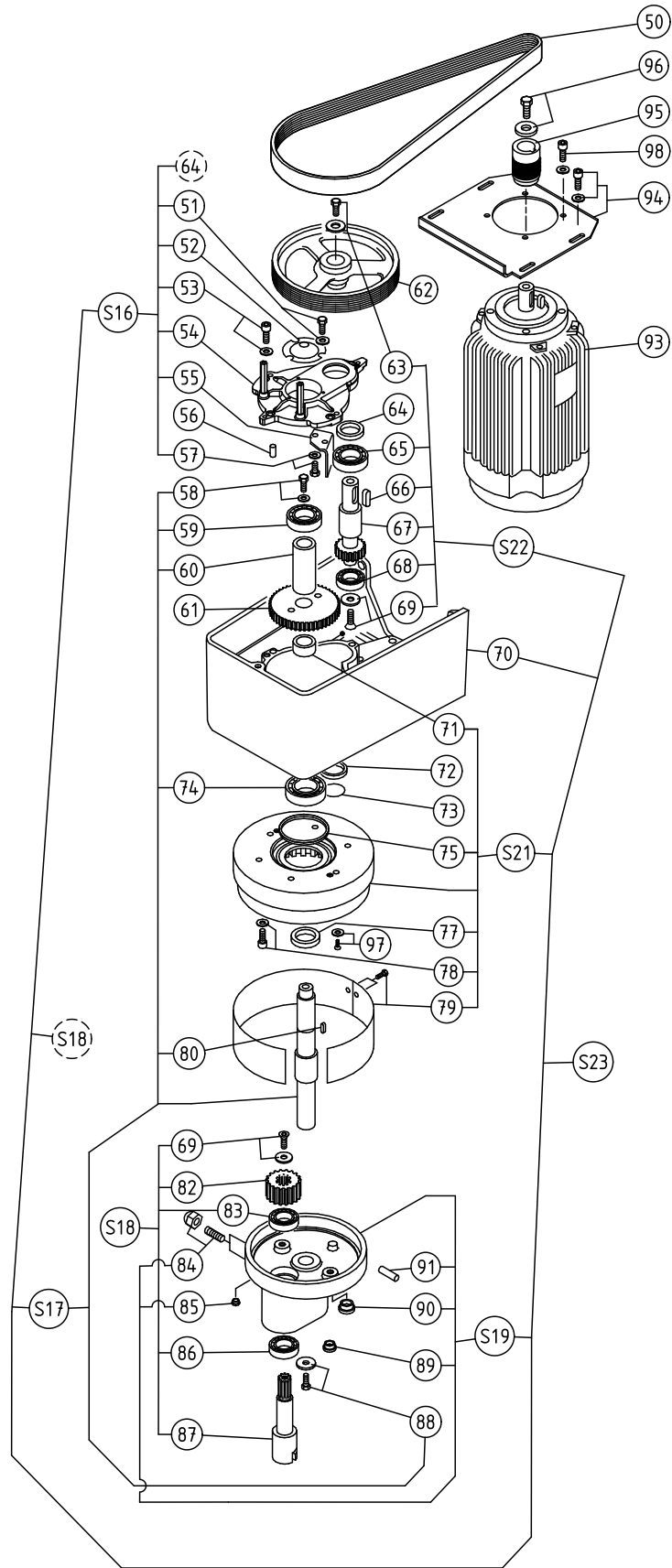
MBE40 - Exploded view - Mechanism



MBE40 - Parts list - Mechanism

Pos.	Code	Description	V	W&T	Ref.	Notes	S/N break
50	0KQ225	Belt	X	X			
51	0D0537	Stainless steel screw H M5x10 (set x 10)					
51	0D2297	Washer Cs M5 (set x 10)					
52	0D0078	Cover cap					
53	0KQ492	Screw CHC M8x20 set x 10)					
53	0U0660	Washer W8 (set x 10)					
54	0U0505	Housing carter					
54	0D6693	Spacer M6x60 (set x 2)					
55	0D3852	Grase deflector					
56	0KQ500	Pin rect.8x20 (set x 10)					
57	0D0537	Screw H 5x10 (set x 10)					
57	0D2297	Washer CsM5 (set x 10)					
58	0D0507	Stainless steel screw H M8x20 (set x 10)					
58	0D2323	Flange washer (set x 10)					
59	0KJ748	Bearing 6305 2Rs		X			
60	0KQ359	Spacer 36x28x72					
61	0KQ254	Intermediary cogwheel					
62	0D0145	Driven pulley		X			
63	0D6064	Stainless steel screw H M10x25 (set x 10)					
63	0D6070	Stainless steel washer 32x11x3 - BM10					
64	0KJ014	Lip seal 32x45x6 (set x 5)		X			
65	0KJ748	Bearing 6305 2Rs		X			
66	0D2336	Key A8x7x40 (set x 5)					
67	0D6072	Internal gear shaft 15 teeth		X			
67	0D7479	PA Tapered pinion shaft		X	E		
68	0KI590	Bearing 6303 2Rs1		X			
69	0KQ520	Screw F Hc M6x16 (set x 10)					
69	0D3576	Countersunk washer (set x 5)					
70	0D6687	Housing			H		
70	0D7519	Stainless steel Housing			F		
70	0D7478	PA Housing			E;H		
70	0D7524	Stainless steel PA Housing			E;F		
71	0D1913	Lower spacer					
72	0KQ655	Bracing ring					

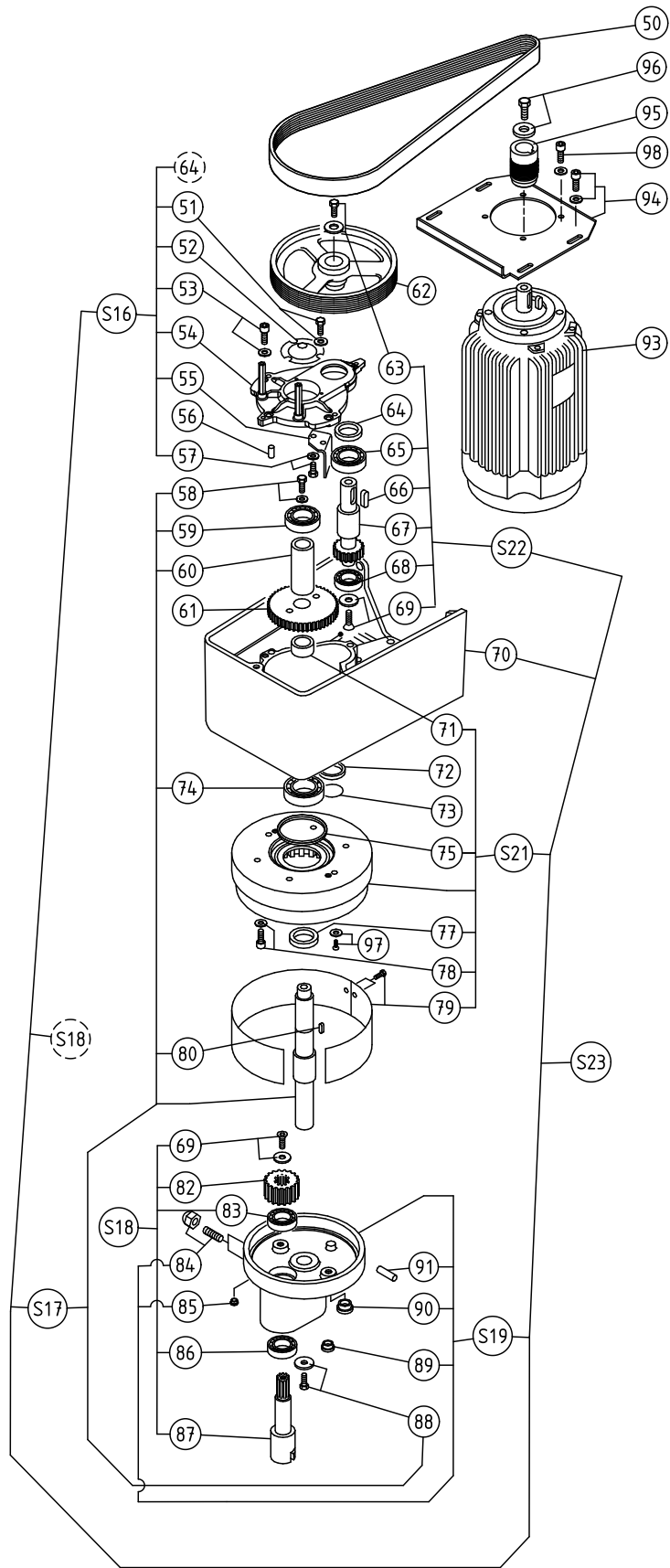
MBE40 - Exploded view - Mechanism



MBE40 - Parts list - Mechanism

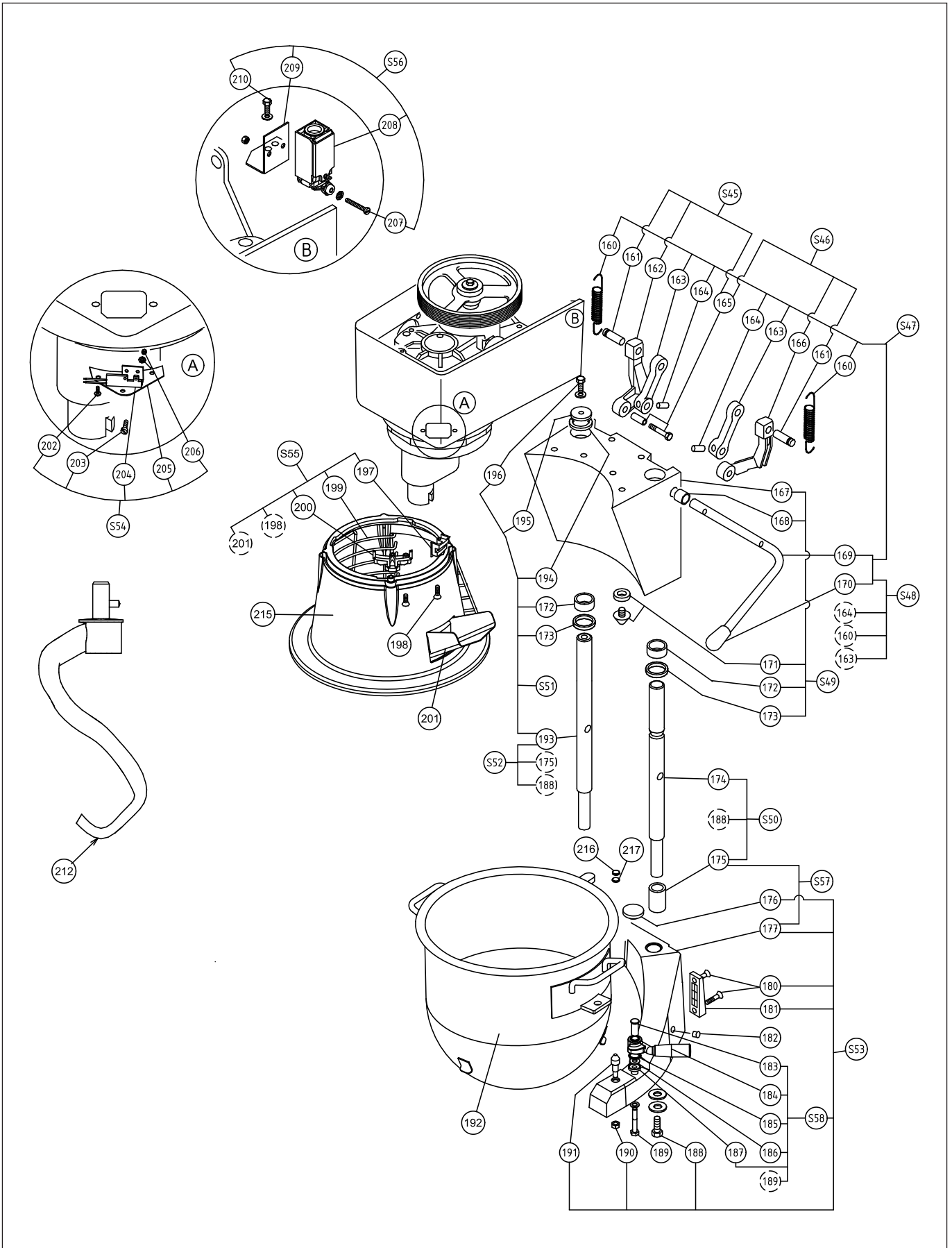
Pos.	Code	Description	V	W&T	Ref.	Notes	S/N break
73	0D3578	O-ring 47x3 (set x 5)		X			
74	0KQ358	Bearing 6306		X			
75	0D3579	O-ring 78,97x3,53 (set x 5)		X			
77	0D6034	Lip seal 38x62x7		X			
78	0KQ492	Screw CHC M8x20 (set x 10)					
78	0U0660	Washer W8 (set x 10)					
79	0D2508	Collar assembly					
80	0D5128	Key A6x6x20					
82	0U0546	Planetary gear		X			
83	0KQ394	Bearing 6205 2Rs		X			
84	0D8124	Cap nut (set x 5)					
84	0D6035	Screw SHC M1240 (set x 5)					
85	0D3548	Cap gpn 300 (set x 10)					
86	0D0006	Bearing 6206 2Rs		X			
87	0D6282	Shaft	X				
88	0D0507	Stainless steel screw H M8x20 (set x 10)					
88	0U0409	Washer					
89	0KJ059	Cap					
90	0D0892	Blanking cap F181 (set x 4)					
91	0U0664	Stainless steel pin GO1 6x42 (set x 5)					
93	0D2555	Three phase motor 230/400V	X				
94	0D6686	Motor support assembly					
94	0D8199	Screw TH M 8x20 (set x 10)					
95	0D6073	Drive pulley		X			
96	0D2844	Screw H M10x30 (set x 10)					
96	0D6070	Stainless steel washer 32x11x3 (set x 10)					
97	0KQ527	Stainless steel screw RL M4x8 (set x 10)					
97	0D2284	Washer CS L4 (set x 10)					
98	0DF076	Screw TH M8x16 (set x 10)					
S16	0DF329	Housing cover assembly					
S17	0KQ706	Sun gear shaft assembly	X				
S18	0D3960	Tool holder shaft + gear		X			
S19	0D6714	Sun wheel assembly		X			

MBE40 - Exploded view - Mechanism



Pos.	Code	Description	V	W&T	Ref.	Notes	S/N break
S19	0D7518	Sun wheel assembly stainless steel		X			
S21	0D7828	Nylon crown wheel assembly		X			
S22	0D1781	Intermediary shaft assembly		X			
S23	0D6713	Complete head			H		
S23	0D8044	PA Stainless steel complete head			E;F		

MBE40 - Exploded view - Raising and lowering

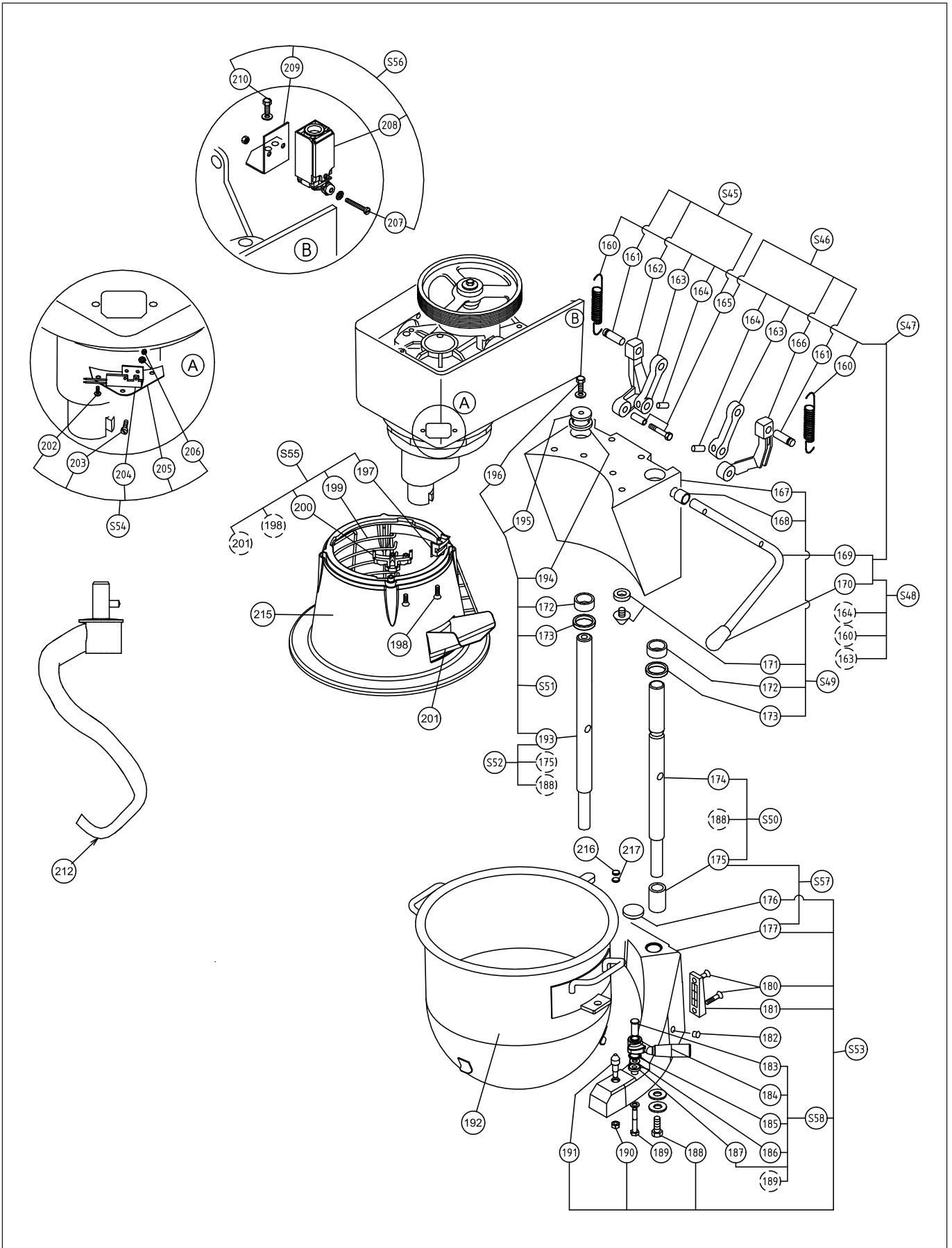




MBE40 - Parts list - Raising and lowering

Pos.	Code	Description	V	W&T	Ref.	Notes	S/N break
160	0KJ749	Raising lowering spring		X			
161	0D1218	Nickel-plated rod pin					
163	0KQ347	Small connecting rod					
164	0D0400	Pin g01 6x30 (set x 10)					
165	0D0598	Screw H 8x50 (set x 10)					
165	0U0378	Spacer					
168	0D1202	Bushing 16x18x15		X			
170	0D2679	Handle		X			
171	0D1641	Pad spacer					
171	0U0427	Stop		X			
172	0KQ344	Bushing		X			
173	0KQ316	Scraper seal 30x40x8					
174	0D6056	Right stand					
175	0D1217	Locking collar					
176	0KQ478	Rubber stop (set x 3)		X			
180	0D2345	Stainless steel screw F M6x35 (set x 10)					
180	0D8004	Stainless steel nut HU M6 (set x 10)					
181	0D1097	Tapered shim assembly (set x 4)					
182	0D3589	GPN 300F2 cap (set x 10)					
183	0D6109	Bolt pivot (set x 2)		X			
184	0D6125	Handle		X			
185	0D2662	O-ring 15,54X2,62 (set x 5)		X			
186	0KQ524	Stainless steel washer M8 (set x 10)					
187	0D5717	Spacer (set x 2)					
188	0D0600	Stainless steel screw H M12x20 (set x 5)					
188	0D2282	Washer Cs I12 (set x 10)					
189	0D0591	Stainless steel screw HM8x35 (set x 10)					
189	0D0632	Washer CS M8 (set x 10)					
190	0D3590	Notched base nut Hu M8 (set x 10)					
191	0KQ284	Bowl pin		X			
191	0D7522	Bowl pin Stainless steel		X	F		
192	650128	40L bowl		X			
193	0D6074	Left stand					

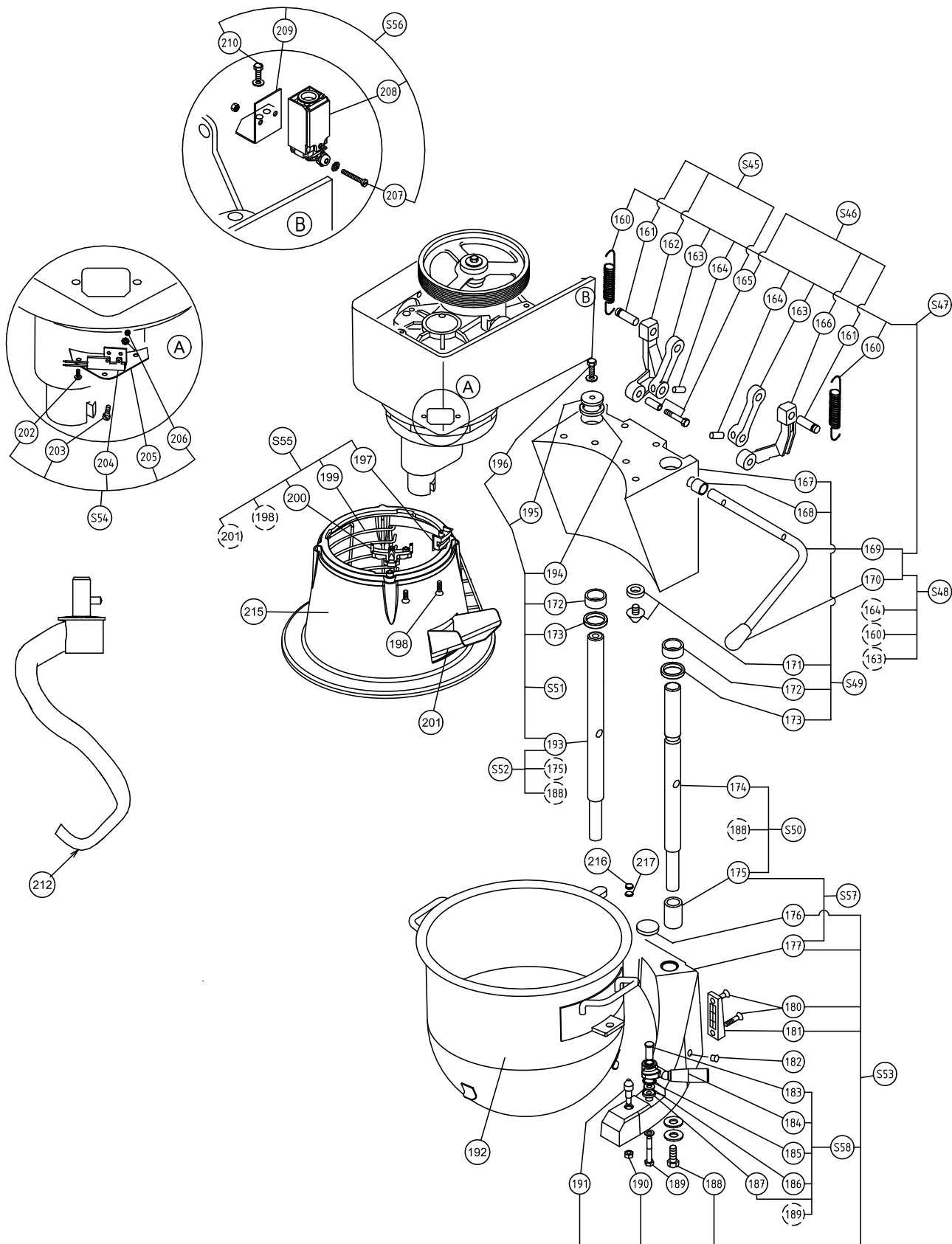
MBE40 - Exploded view - Raising and lowering



MBE40 - Parts list - Raising and lowering

Pos.	Code	Description	V	W&T	Ref.	Notes	S/N break
194	0D1154	Rubber washer 50x30x6		X			
195	0D3581	Washer (set x 10)					
196	0D2330	Screw H M10x20 Ac80 (set x 10)					
196	0D0623	Washer (set x 10)					
197	0KL093	Single pad (set x 3)		X			
198	0KL091	Stainless steel screw F M5x35 (set x 10)					
199	0D7801	Screen		X			
200	0KJ771	Catch		X			
201	0D7748	Chute		X			
202	0D0523	Stainless steel screw RI M5x10 (set x 10)					
203	0KQ511	Stainless steel screw C M3x16 (set x 10)					
204	0DF025	Detector	X				
205	0D6062	Relay support					
206	0D7383	Stainless steel nut Hu M3 (set x 10)					
207	0D3399	Stainless steel screw CHC M4x40 (set x 10)					
207	0D3065	Stainless steel nut HU M4 (set x 10)					
208	0D6036	Raise and lower position contact	X				
209	0D6063	Breaker bracket					
210	0D0537	Stainless steel screw C M5x10 (set x 10)					
210	0D2297	Washer Cs M5 (set x 10)					
212	653092	Hook		X			
213	653127	Whisk		X			
214	653093	Paddle		X			
215	0D7753	Screen		X			
216	0D5110	Magnet		X			
217	0D7751	Cap (set x 10)					
S45	0KQ217	Left large model connecting rod assembly					
S46	0KQ216	Right large model connecting rod assembly					
S47	0D3763	Raising and lowering control		X			

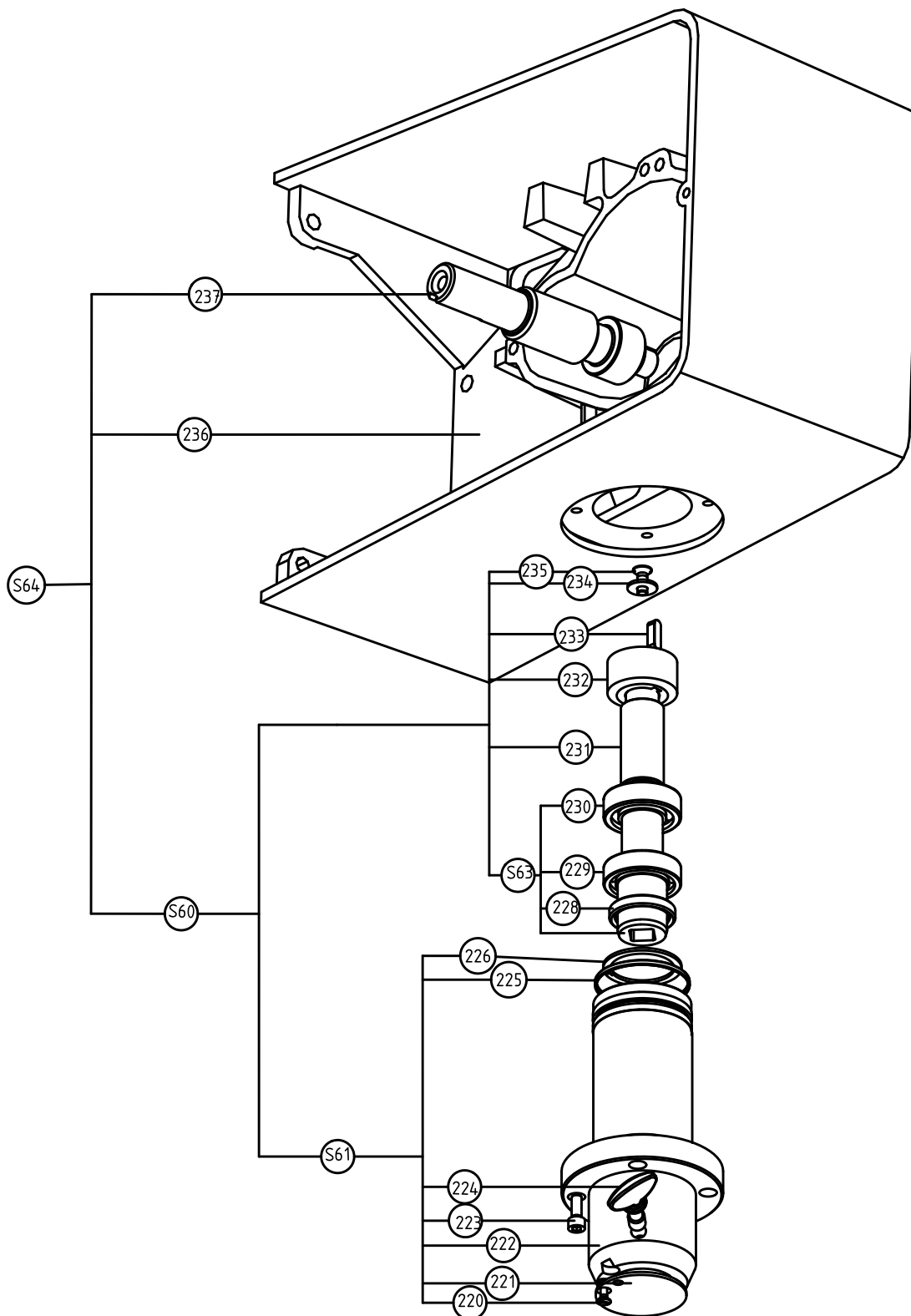
# MBE40 - Exploded view - Raising and lowering



MBE40 - Parts list - Raising and lowering

Pos.	Code	Description	V	W&T	Ref.	Notes	S/N break
S48	0D0113	Raising and lowering lever assembly					
S49	0D6715	Raising and lowering support assembly					
S49	0D7521	Raising and lowering support assembly stainless steel			F		
S50	0D1852	Right stand assembly					
S51	0D3768	Left stand assembly stop					
S52	0D1851	Left stand assembly					
S53	0D0172	Cradle assembly					
S54	0DF026	Detector support assembly	X				
S55	0D7802	Wire screen assembly		X			
S56	0U0661	Raising and lowering safety device bracket assembly	X				
S57	0D6081	Cradle + bushes					
S57	0D7517	Cradle stainless steel s + bushes			F		
S58	0D6117	Complete bolt		X			

MBE40 - Exploded view - Accessory hub



MBE40 - Parts list - Accessory hub

Pos.	Code	Description	V	W&T	Ref.	Notes	S/N break
220	0D0643	Stainless steel screw F M4x10 (set x 10)			E		
221	0D1052	Assembly Cap			E		
222	0D7473	Hub sleeve PA			E		
223	0D0617	M6x16 CHC screw (set x 10)			E		
224	0KQ334	Thumb bolt			E		
225	0D3539	O-ring 55,25x2,62 (set x 4)		X	E		
226	0D0656	47i circlip (set x 10)			E		
228	0H1040	30x40x7 lip seal (set x 5)		X	E		
229	0KQ395	6204 Bearing		X	E		
230	0KQ350	6005 Bearing		X	E		
231	0D7476	Accessories hub spacer			E		
232	0D7477	Accessories hub gear wheel		X	E		
233	0KQ488	6x6x20 key (set x 10)			E		
234	0D3576	Countersunk washer (set x 5)			E		
235	0KQ520	M6x16 FHC screw (set x 10)			E		
236	0D7478	PA Housing			E		
236	0D7524	Stainless steel PA Housing			E;F		
237	0D7479	Tapered pinion shaft		X	E		
S60	0D8041	Accessories hub assembly		X	E		
S61	0D8042	Assembly H hub sleeve		X	E		
S63	0D8043	Accessories hub shaft assembly		X	E		
S64	0D8044	Assembly stainless steel PA housing		X	E;F		

CE