

BPO25 / BPO45

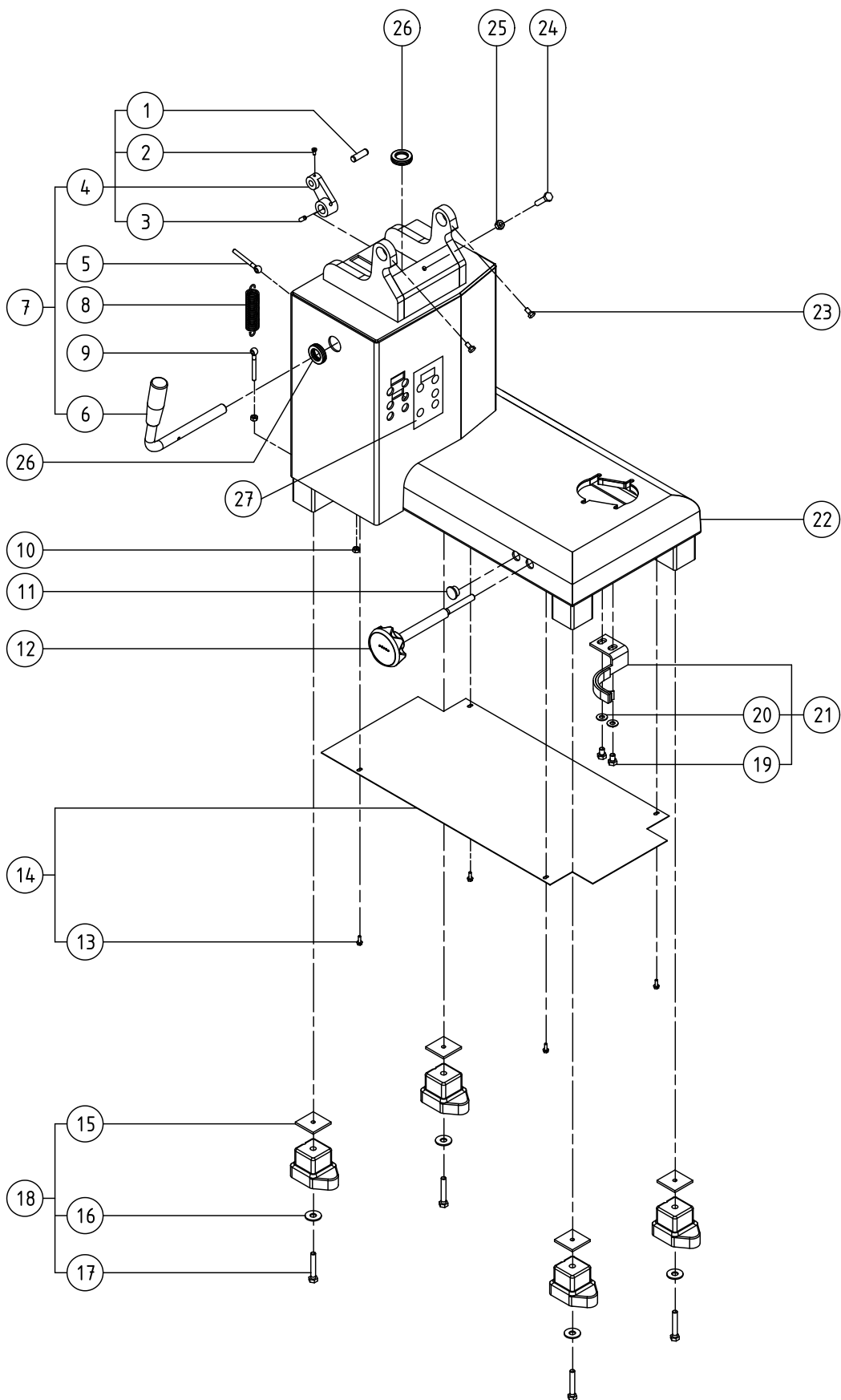
PNC	Model	Modules	Description	Note
603658	BPO25	A;C	FORK KNEADER - FLAT PANEL - 25L -2 SPEED	
601994	BPO45	B;D	FORK KNEADER - FLAT PANEL - 45L -2 SPEED	
603659	BPO45	A;D	FORK KNEADER - FLAT PANEL - 45L -2 SPEED	

BPO25 / BPO45**Modules classifications**

A	DITO SAMA
B	ELECTOLUX PROFESSIONAL
C	25 LITRES
D	45 LITRES

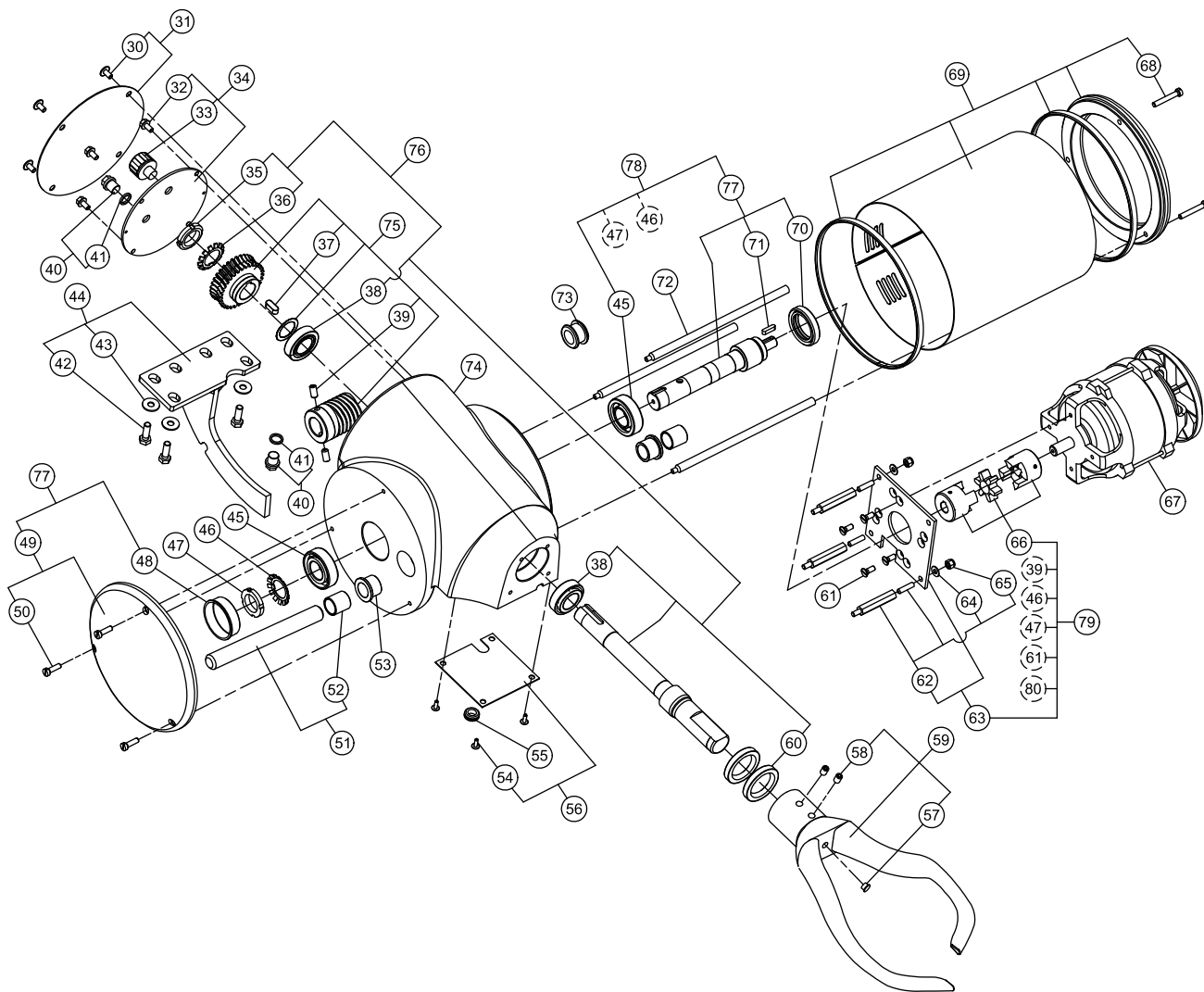
Pag.	Index
4	Exploded view - Structure
5	Parts list - Structure
6	Exploded view - Mechanism / Motor
7	Parts list - Mechanism / Motor
10	Exploded view - Bowl
11	Parts list - Bowl
12	Exploded view - Electrical
13	Parts list - Electrical

BPO25 / BPO45 - Exploded view - Structure



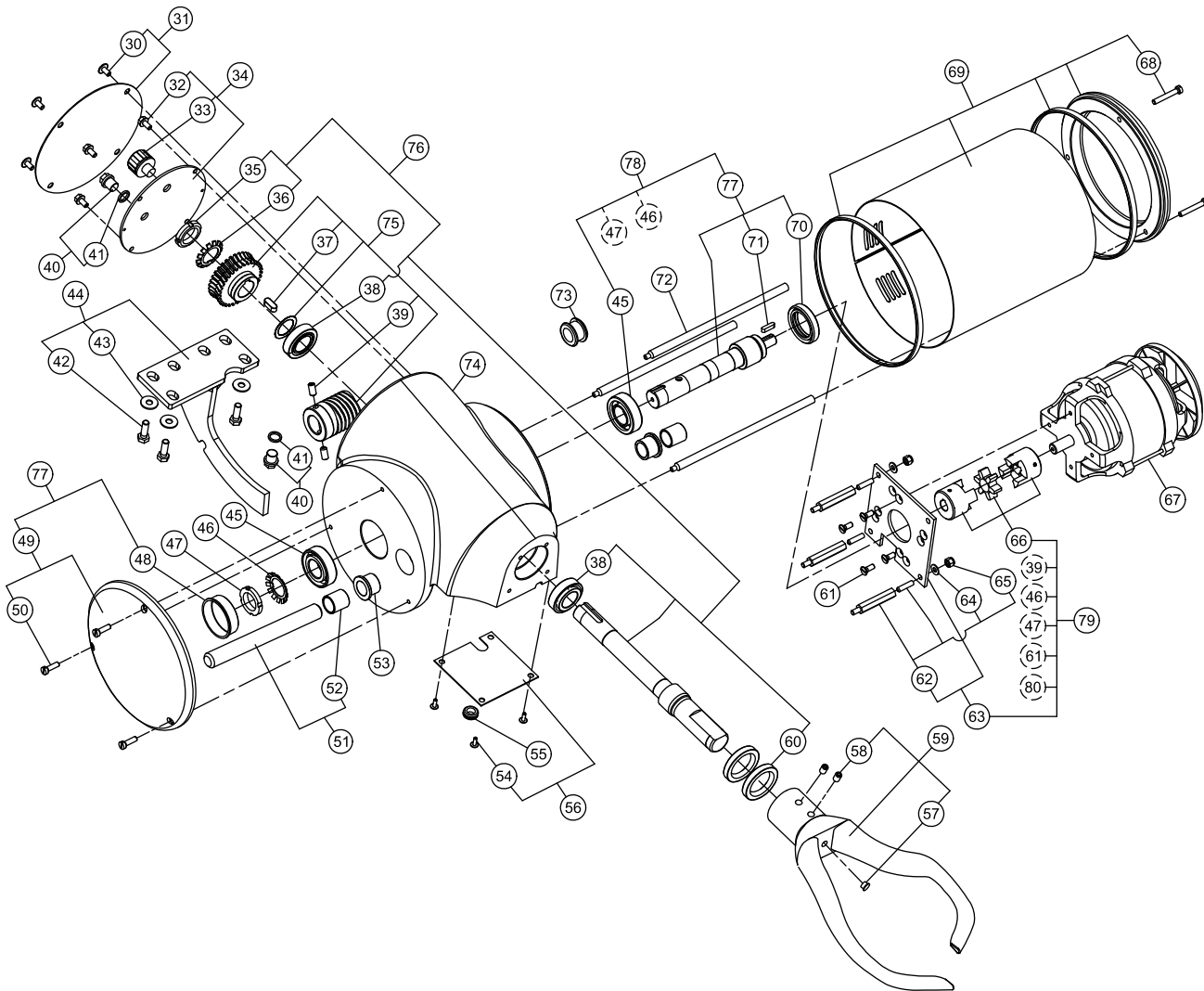
BPO25 / BPO45 - Parts list - Structure

Pos.	Code	Description	V	W&T	Ref.	Notes	S/N break
1	0KQ408	GO6 10x32 stainless steel pin (set x 10)					
2	0D0610	M4x8 stainless steel C screw (set x 10)					
3	0KQ494	M6x12 stainless steel H screw (set x 10)					
4	0D3023	BPO25 rod assembly					
5	0KJ041	Capstan screw					
6	0D3024	Locking lever assembly		X			
7	0D3025	Complete locking lever					
8	0KJ057	Spring		X			
9	0KJ041	Capstan screw					
10	0D0503	M6 stainless steel HU nut (set x 10)					
11	0D0062	GPN 300 F15 plug					
12	0D3026	Brake knob		X			
13	0D3027	M4x12 Taptite H screw (set x 10)					
14	0D3028	Base plate assembly					
15	0D0541	Shoe screw (set x 10)		X			
16	0KQ506	L10 washer (set x 10)					
17	0D0598	M8x50 H screw (set x 10)					
18	0KQ431	Shoe assembly					
19	0D1709	M8x12 H screw (set x 10)					
20	0D0632	M8 CS washer (set x 10)					
21	0D3029	Brake strap assembly		X			
22	0D3030	Frame					
23	0D0507	M8x20 H screw (set x 10)					
24	0D0591	M8x35 satinless steel (set x 10)					
25	0D0642	Nut M8 stainless steel HU (set x 10)					
26	0D3031	21x26x2 membrane grommet (set x 10)		X			
27	0D7043	Control panel BPO25		X			
27	0D7042	Control panel BPO45		X			



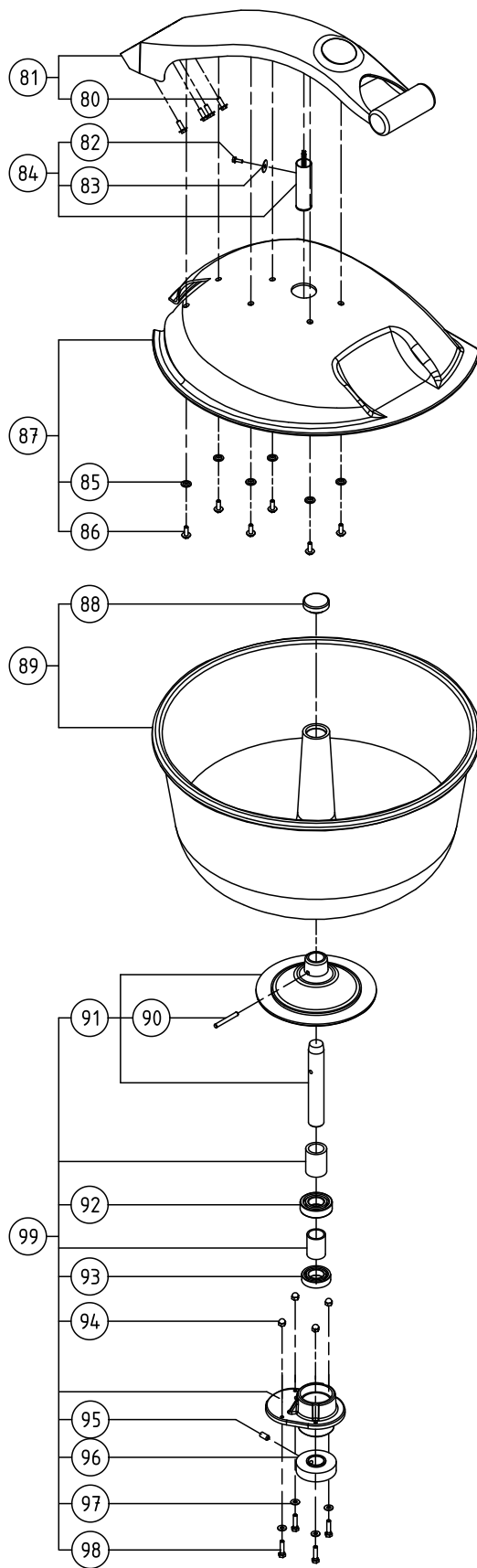
BPO25 / BPO45 - Parts list - Mechanism / Motor

Pos.	Code	Description	V	W&T	Ref.	Notes	S/N break
30	0D0601	RL M6x12 screw (set x 10)					
31	0D3032	Head closing plate assembly					
32	0D0551	Taptite screw (set x 10)					
33	0D3033	SFV 1/4 10MB oil cap (set x 5)		X			
34	0D3034	Wheel closing plate assembly		X			
35	0D3035	M25x1.5 slotted nut (set x 5)					
36	0HD003	MB 5 washer (set x 5)					
37	0D2334	8x7x20.5 A key (set x 5)					
38	0D1520	Tapered bearing		X			
39	0KQ493	M8x15 SHC bead screw (set x 10)					
40	0D6080	8-13 plug assembly					
41	0D2249	Bushing seal (set x 5)		X			
42	0D0591	Screw TH M8 stainless steel (set x 10)					
43	0D0632	Washer CS8 (set x 10)					
44	0D1716	Locking plate assembly					
45	0D3969	Tapered bearing		X			
46	0HD003	MB 5 washer (set x 5)					
47	0D3035	M25x1.5 slotted nut (set x 5)					
48	0D7119	Cap GPN 600 (set x 2)		X			
49	0D7849	Left flange assembly					
50	0D2973	Screw TC M6x20 stainless steel (set x 10)					
51	0D3050	Articulation assembly					
52	0D3049	Articulation ring (set x 2)		X			
53	0D1152	20x26x20 Flange bushing		X			
54	0D5032	Screw TRL M4x12 stainless steel (set x 10)					
55	0D0946	DA 11x15x1,5 grommet (set x 10)					
56	0D3048	Safety blanking plate assembly					
57	0D8112	Cap (set x 10)					
58	0D3044	Screw M10x16 stainless steel (set x 10)					
59	0D3045	25L accessory assembly		X			
59	0D3046	45L accessory assembly		X			
60	0D1714	34x52x8 double lip seal (set x 5)		X			
61	0D0664	Screw TF M6x16 stainless steel (set x 10)		X			
62	0D7132	Spacer assembly (set x 4)					



BPO25 / BPO45 - Parts list - Mechanism / Motor

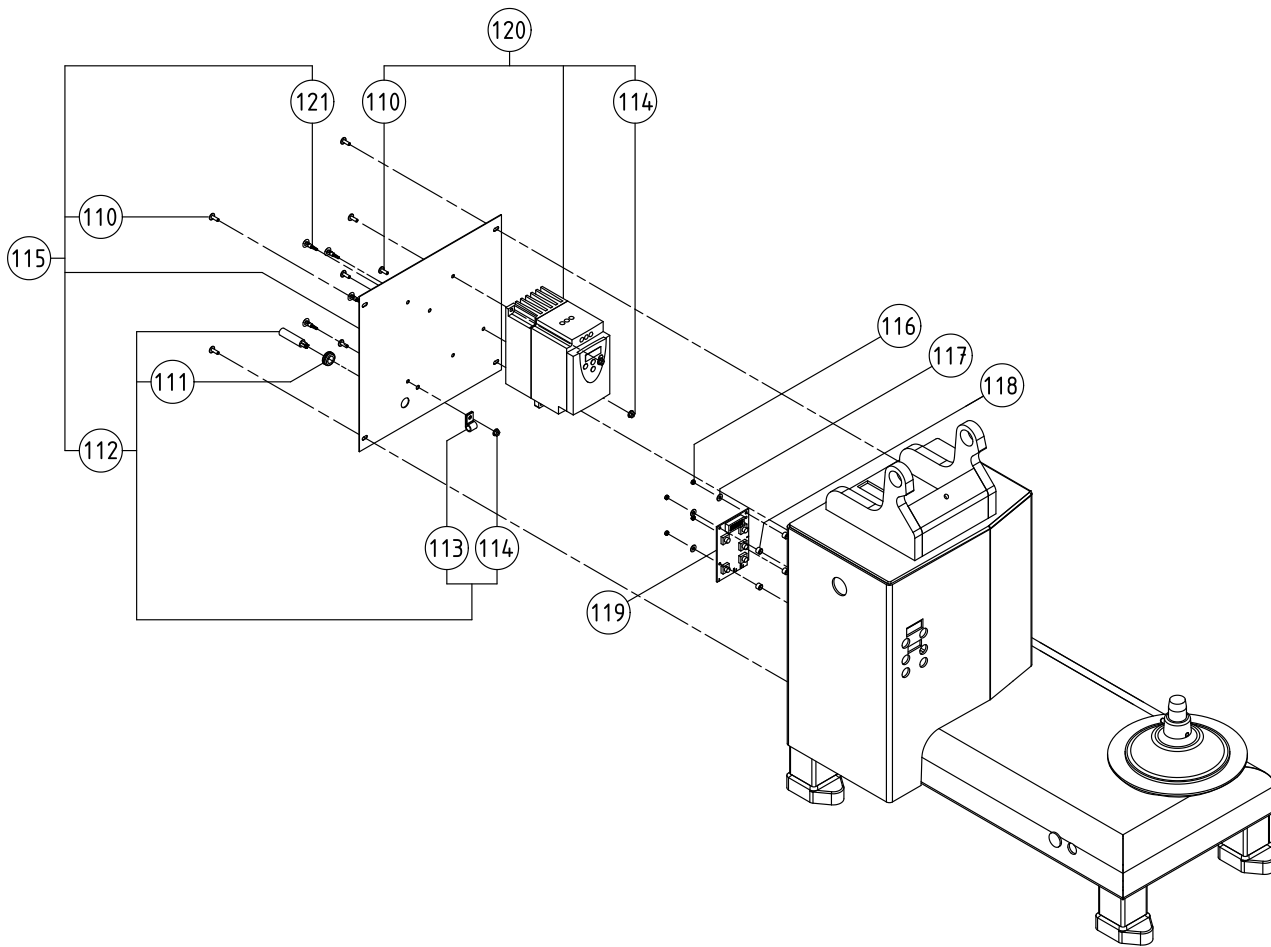
Pos.	Code	Description	V	W&T	Ref.	Notes	S/N break
63	0D3040	Motor support plate assembly					
64	0D0624	Washer CS M6 stainless steel (set x 10)					
65	0D1659	M6 Brake nut (set x 10)					
66	0D7131	Complete spring coupling					
67	0D5154	3-phase 230V 50hz motor assembly					
68	0D3039	Screw TC M6x40 stainless steel (set x 10)		X			
69	0D7850	Right flange assembly	X				
70	0D3051	35x52x10 double lip seal (set x 5)					
71	0HD008	5x5x20 key (set x 5)					
72	0D3053	Support assembly (set x 3)		X			
73	0D5159	Grommet 19x25x13,5 (set x 10)					
74	0D6079	Head assembly		X			
75	0D3037	Single worm gear and screw pair					
76	0D3038	Accessory holder shaft ass.					
77	0D7129	Motor shaft assembly		X			
78	0D7130	Motor shaft complete	X				
79	0D7190	Motor shaft SAV		X			



BPO25 / BPO45 - Parts list - Bowl

Pos.	Code	Description	V	W&T	Ref.	Notes	S/N break
80	0D0551	M6x12 Taptite screw (set x 10)					
81	0D3054	Screen support assembly					
82	0D3027	M4x12 Taptite screw (set x 10)					
83	0D0501	LL 5 washer (set x 10)					
84	0D3055	Detector assembly	X				
85	0D2116	Washer sealing M8 (set x 10)					
86	0D2901	H M6x16 stainless steel collar screw (set x 10)					
87	0D3056	25L screen assembly		X			
87	0D3057	45L screen assembly		X			
88	0D3058	Bowl plug assembly					
89	0D3726	25L bowl assembly		X			
89	0D3777	45L bowl assembly		X			
90	0D2909	GO2 6x50 stainless steel (set x 5)					
91	0D3059	25L bowl support assembly		X			
91	0D3060	45L bowl support assembly		X			
92	0KQ394	6205 2RS bearing		X			
93	0KQ350	6005 2RS bearing		X			
94	0D0583	M6 cap nut (set x 10)					
95	0KQ493	M8x15 SHC bead screw (set x 10)					
96	0D3713	Friction wheel					
97	0D2878	CS L6 Washer stainless steel (set x 10)					
98	0D0595	H M6x25 screw stainless steel (set x 10)					
99	0D3061	25L bearing assembly		X			
99	0D3062	45L bearing assembly		X			

BPO25 / BPO45 - Exploded view - Electrical



BPO25 / BPO45 - Parts list - Electrical

Pos.	Code	Description	V	W&T	Ref.	Notes	S/N break
110	0D0532	M4x12 Stainless steel (set x 10)					
111	0D0946	11x15x1.5 Da Grommet (set x 10)					
112	0D3064	Phase Lead Assembly	X				
113	0D6040	Cv8 Collar (set x 10)					
114	0D3065	Hu M4 Toothed Collar Nut (set x 10)					
114	0D0532	Screw TH M4x12 stainless steel (set x 10)					
115	0D5895	Stainless steel single phase rear panel assembly					
116	0D3987	Hu M3 Nut (set x 10)					
117	0D5188	M3 Pe Washer (set x 10)					
118	0D5156	3.5x8x5.5 Spacer (set x 4)					
119	0D5157	2v Touch timer card assembly	X				
120	0D5158	Variator assembly	X				
121	0D2848	Printed circuit fixing spacer (set x 6)		X			

CE