

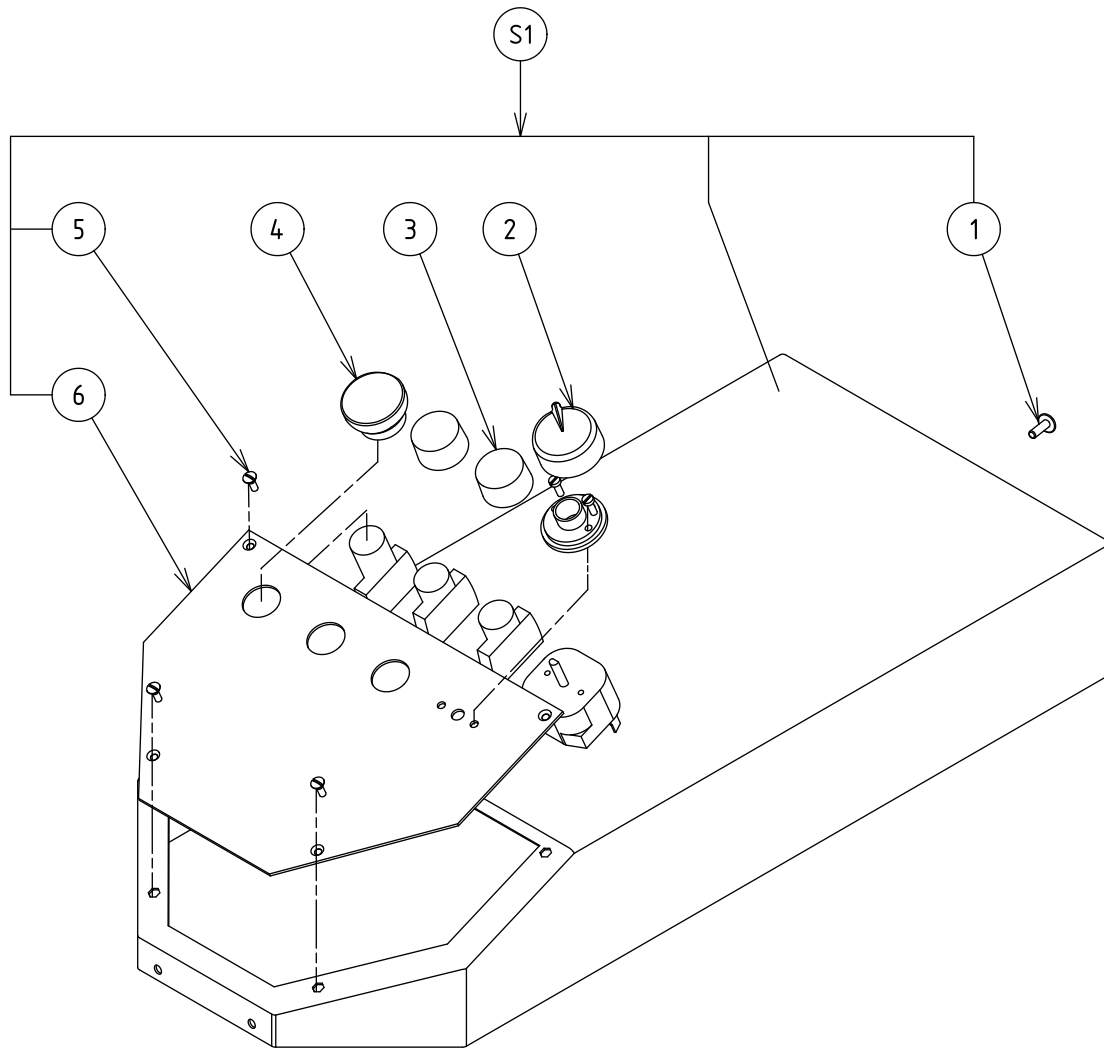
PSF50

PNC	Model	Modules	Description	Note
601796	PSF50	A	LIQUID SPIRAL KNEADER 50L -2 SPEED	
601256	PSF50	B	LIQUID SPIRAL KNEADER 50L -2 SPEED	

PSF50**Modules classifications**

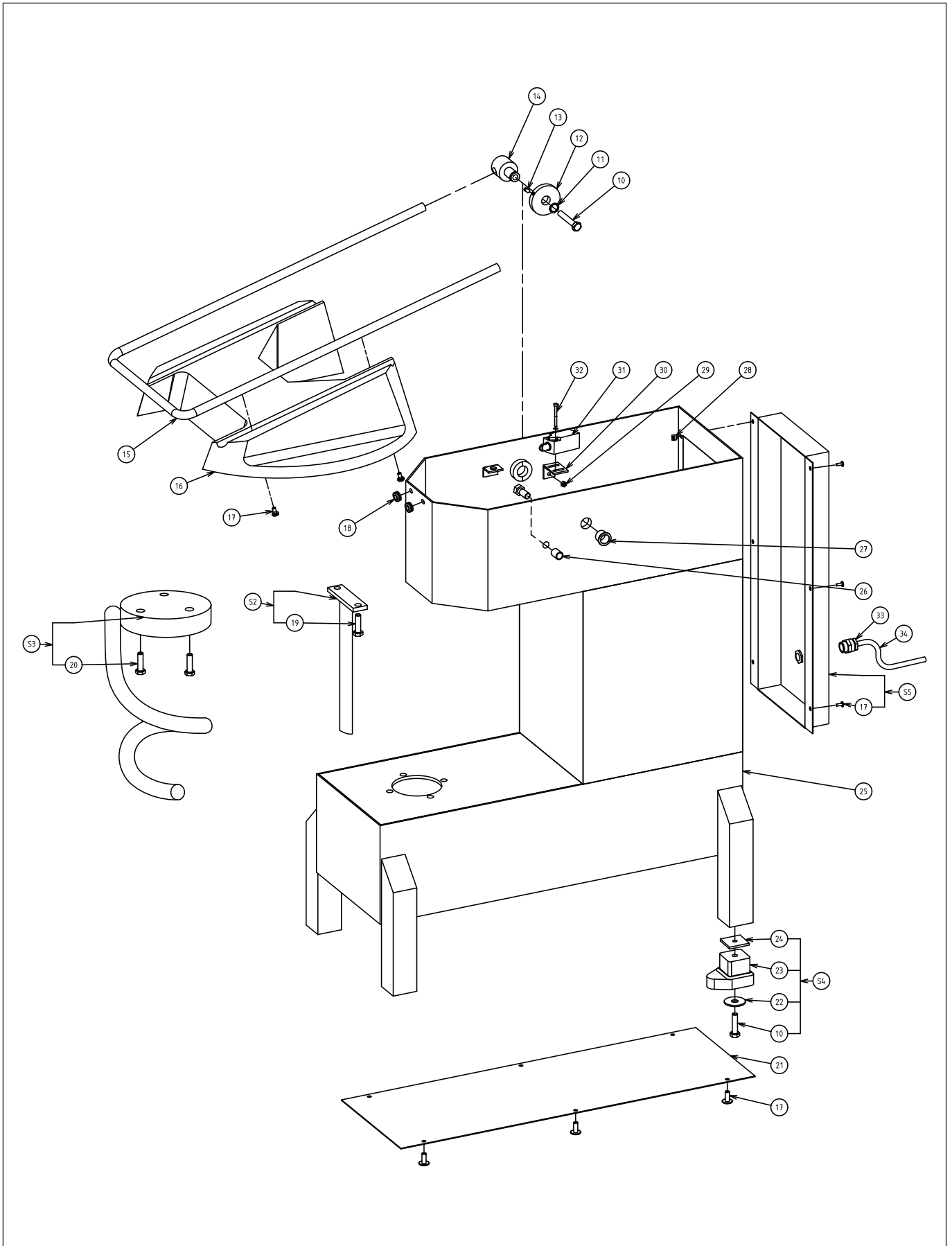
A	DITO SAMA
B	ELECTOLUX PROFESSIONAL

Pag.	Index
4	Exploded view - Cover
5	Parts list - Cover
6	Exploded view - Frame / Screen / Tool
7	Parts list - Frame / Screen / Tool
8	Exploded view - Bowl / Bowl bearing
9	Parts list - Bowl / Bowl bearing
10	Exploded view - Transmission
11	Parts list - Transmission
12	Exploded view - Tool Bearing / Tensioner
13	Parts list - Tool Bearing / Tensioner
14	Exploded view -- Motor
15	Parts list - Motor



PSF50 - Parts list - Cover

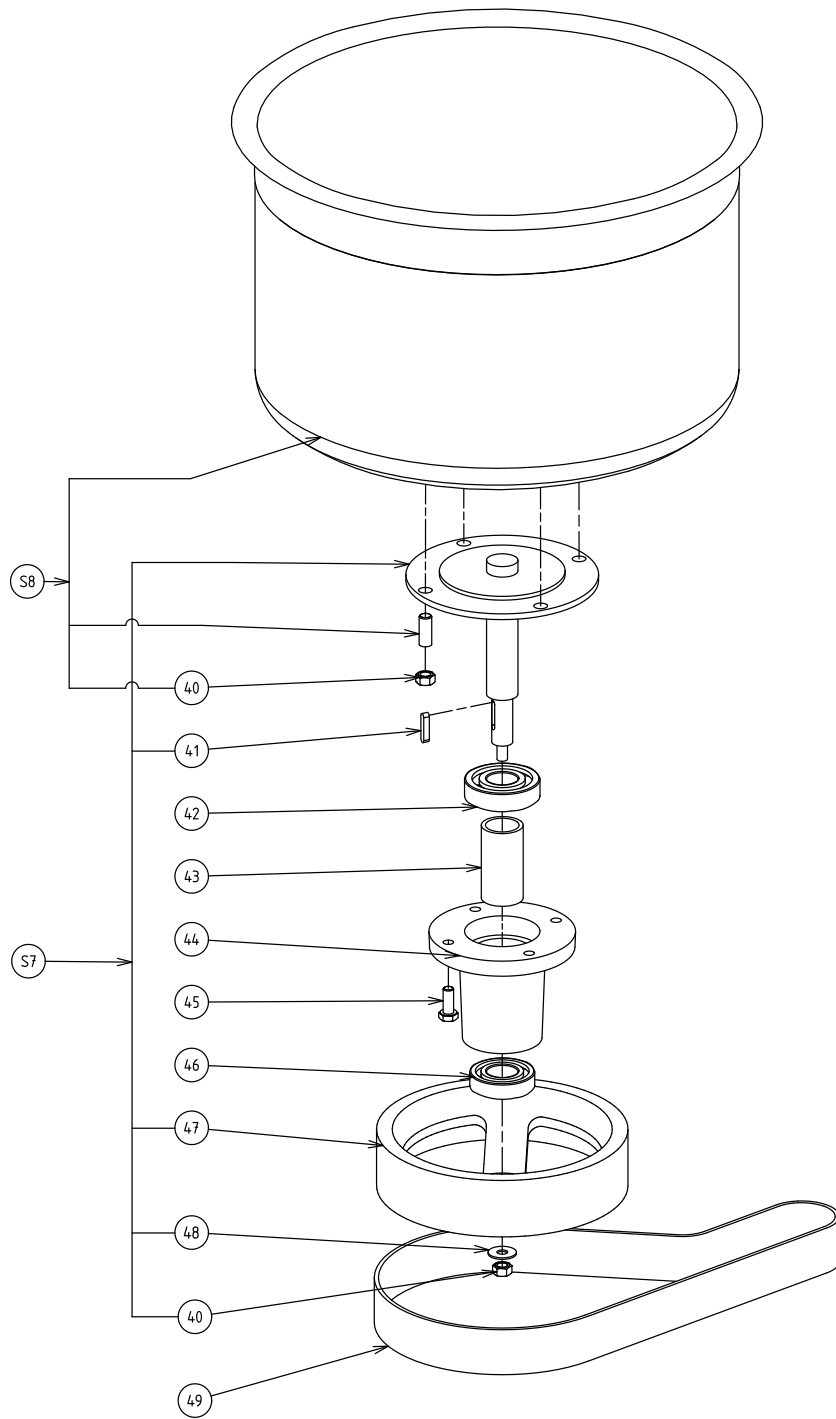
Pos.	Code	Description	V	W&T	Ref.	Notes	S/N break
1	0D0607	Screw TCL M5x16 stainless steel (set x 10)					
2	0D3298	Button trim	X				
2	0D1611	Button body	X				
2	0D0610	Screw TC M4x8 stainless steel (set x 10)					
2	0KQ677	Timer seal	X				
2	0KQ310	Timer	X				
3	0KQ467	Button	X				
4	0D0364	Off button	X				
5	0D0497	Screw TFB M 4x12 stainles steel (set x 10)					
6	0D6403	Control panel support					
6	0D6404	Control panel label PSF50		X			
S1	0D7819	Cover assembly PSF50					



PSF50 - Parts list - Frame / Screen / Tool

Pos.	Code	Description	V	W&T	Ref.	Notes	S/N break
10	0D0598	Screw TH M8x50 (set x 10)					
11	0D2244	Circlips 18E (set x 10)					
12	0D6406	Cam assembly					
13	0D3495	Screw STHC PTU M6x12 stainless steel (set x 10)					
14	0D6407	Screen spindle					
15	0D6408	Screen arm					
16	0D6409	Screen base		X			
17	0D0601	Screw TRL M6x12 (set x 10)					
18	0D3410	Grommet 7x10x1.4 (set x 4)		X			
19	0D0596	Screw TH M10x35 (set x 10)					
20	0D5722	Screw TH M10x55 stainless steel (set x 10)					
21	0D6410	Bottom					
22	0KQ506	Washer 10x27 (set x 10)					
23	0U0566	Pad		X			
24	0D0541	Pad nut (set x10)					
25	0D6411	Bare frame					
26	0D0069	Screen stop					
26	0D0600	Screw TH M12x20 (set x 5)					
27	0HD005	Neck bushing 18x22x18		X			
28	0D0640	Captive nut M4 (set x 10)					
29	0D0500	Lock nut M5 (set x 10)					
29	0D0625	Washer CSL 5 (set x 10)					
30	0D6413	Circuit breaker support					
31	0KQ206	Proximity detector	X				
32	0D3399	Screw TCHC M4x40 (set x 10)					
32	0D0631	Washer CS M4 (set x 10)					
32	0KL159	Nut HU M4 (set x 10)					
33	0DF061	Cable gland		X			
34	0D7726	Cable	X				
S2	0D6355	Kneading bar assembly		X			
S3	0D0837	Tool assembly		X			
S4	0KQ431	Pad assembly		X			
S5	0D6412	Rear plate assembly					

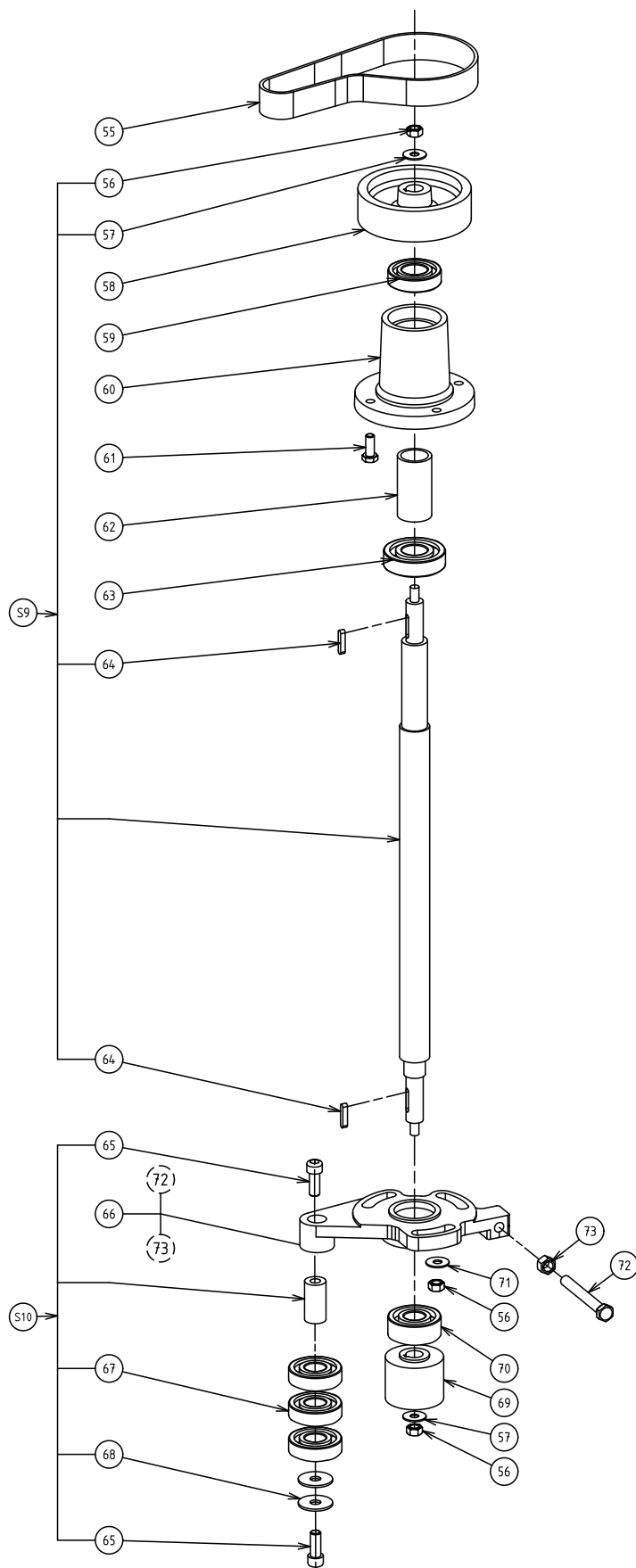
PSF50 - Exploded view - Bowl / Bowl bearing



PSF50 - Parts list - Bowl / Bowl bearing

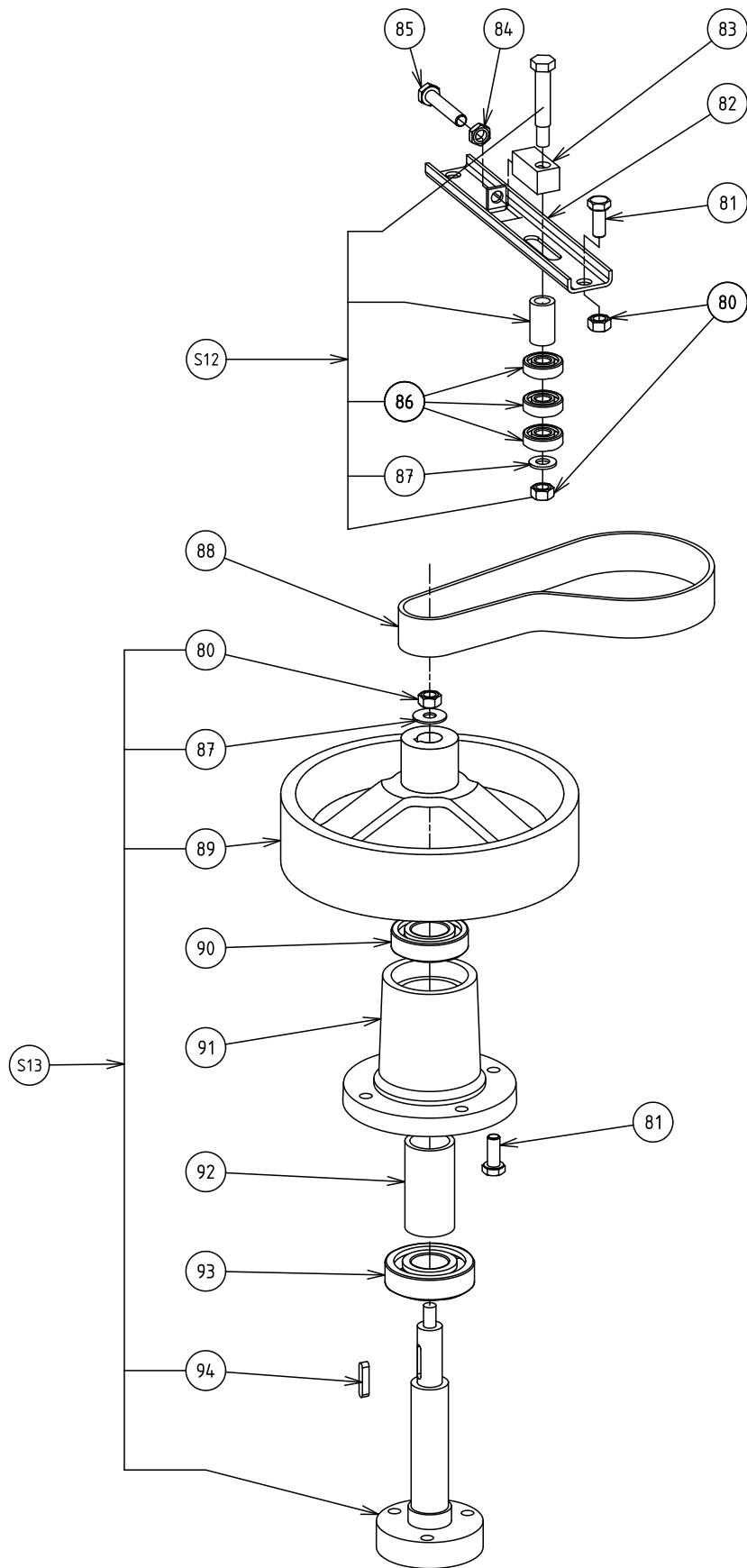
Pos.	Code	Description	V	W&T	Ref.	Notes	S/N break
40	0U0651	Lock nut M10 (set x 10)					
41	0D2336	Key 8x7x40 (set x 5)					
42	0KQ358	Roller bearing 6306		X			
43	0D5838	Spacer					
44	0D0848	Bearing					
45	0D6064	Screw TH M10x25 (set x 10)					
46	0D0006	Roller bearing 6206		X			
47	0D5145	Bowl pulley assembly		X			
48	0D6070	Washer 32x11x3 (set x 10)					
49	0D1438	Poly V-belt 1168 j18	X	X			
S7	0D0888	Bowl shaft + pulley		X			
S8	0D0838	Bowl assembly		X			

PSF50 - Exploded view - Transmission



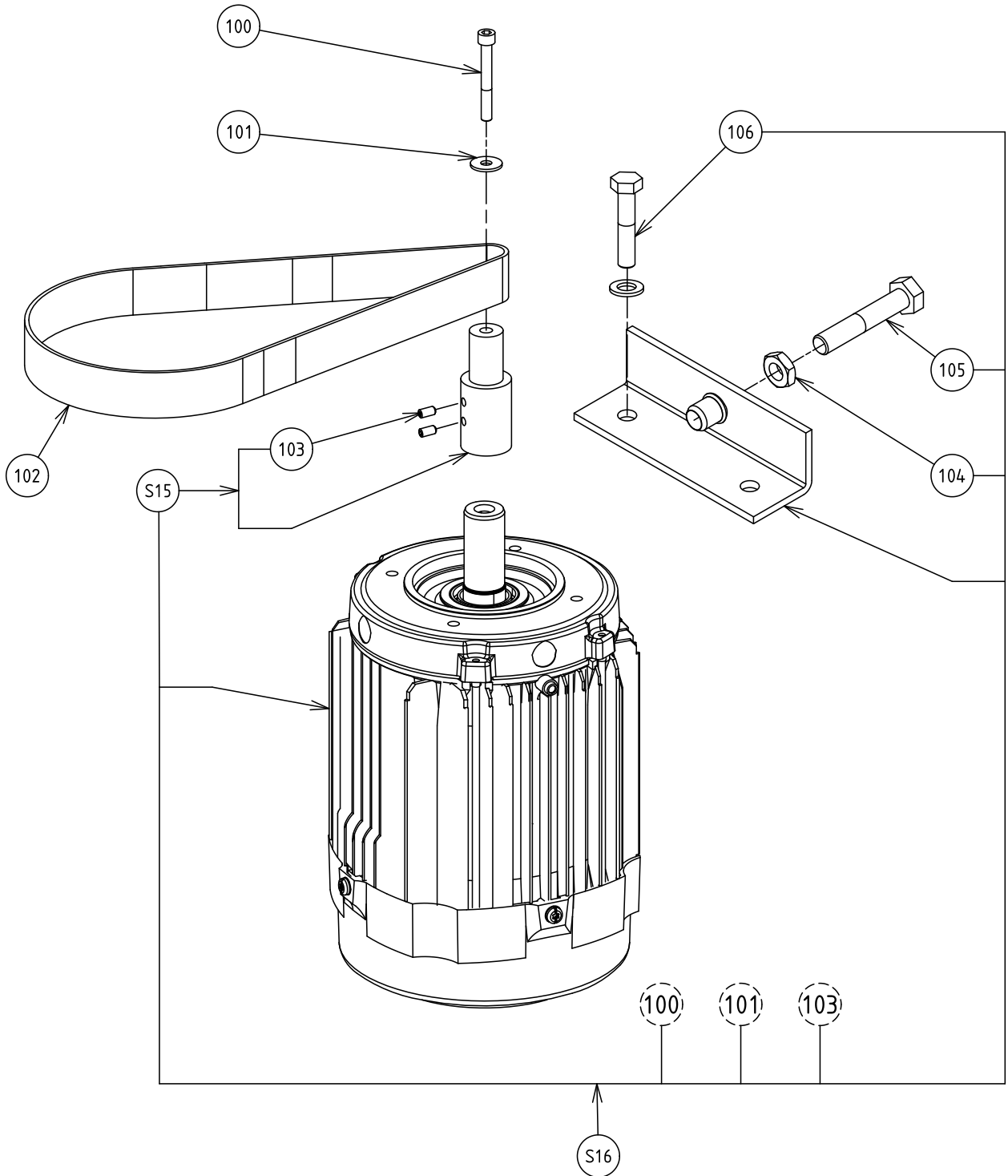
PSF50 - Parts list - Transmission

Pos.	Code	Description	V	W&T	Ref.	Notes	S/N break
55	0D0811	Poly belt 660 J14	X	X			
56	0U0651	Lock nut M 10 (set x 10)					
57	0D6070	Washer 32x11x3 (set x 10)					
58	0D1678	Machined pulley		X			
59	0D0006	Roller bearing 6206		X			
60	0D0848	Painted bearing					
61	0D6064	Screw TH M10x25 (set x 10)					
62	0D5838	Bearing spacer					
63	0KQ358	Roller bearing 6306		X			
64	0KQ486	Key A 6x6x30 (set x 10)					
65	0D0518	Screw TCHC M12x30 (set x 10)					
66	0D6414	Tensioner bearing					
67	0KJ748	Roller bearing 6305		X			
68	0D5484	Washer LL 12 ACZN (set x 10)					
69	0D2499	Pulley		X			
70	0D1679	Ball socket roller bearing		X			
71	0KQ506	Washer 10x27 (set x 10)					
72	0D6415	Screw TH M12x100 (set x 10)					
73	0KQ554	Nut HM M12 (set x 10)					
S9	0D6199	Intermediary shaft assembly		X			
S10	0D3477	Bowl tensioner idler assembly		X			



PSF50 - Parts list - Tool Bearing / Tensioner

Pos.	Code	Description	V	W&T	Ref.	Notes	S/N break
80	0U0651	Lock nut M10 (set x 10)					
81	0D6064	Screw TH M10x25 (set x 10)					
82	0D6416	Crosspiece					
83	0D6417	Idler support					
84	0D0581	Nut HM M10 (set x 10)					
85	0D7408	Screw CHC 10x70 (set x 10)					
86	0KQ350	Roller bearing 6005		X			
87	0D6070	Washer 32x11x3 (set x 10)					
88	0D0811	Poly V-belt 660 j14	X	X			
89	0D3420	Tool pulley assembly		X			
90	0D0006	Roller bearing 6206		X			
91	0D0848	Painted bearing					
92	0D5838	Spacer					
93	0KQ358	Roller bearing 6306		X			
94	0D2336	Key A 8x7x40 (set x 5)					
S12	0D3476	Head tensioner idler assembly					
S13	0D2603	Tool shaft + pulley kit		X			



Pos.	Code	Description	V	W&T	Ref.	Notes	S/N break
100	0D2728	Screw TCHC M10x80 (set x 10)					
101	0KQ506	Washer 10x27 (set x 10)					
102	0D1438	Poly V-belt 1168 j18	X	X			
103	0KQ493	Screw STHC M8x15 (set x 10)					
104	0D0581	Nut HM M10 (set x 10)					
105	0D5722	Screw TH M10x55 (set x 10)					
106	0D2329	Screw TH M8x30 (set x 10)					
106	0D3538	Washer CS L8 (set x 10)					
S15	0D3419	Drive pulley assembly					
S16	0D0882	Motor assembly	X				

CE