

**PSR100**

---

<b>PNC</b>	<b>Model</b>	<b>Modules</b>	<b>Description</b>	<b>Note</b>
<b>601901</b>	PSR100	<b>A</b>	LIQUID SPIRAL KNEADER 100L - 2 SPEED	
<b>601217</b>	PSR100	<b>B</b>	LIQUID SPIRAL KNEADER 100L - 2 SPEED	

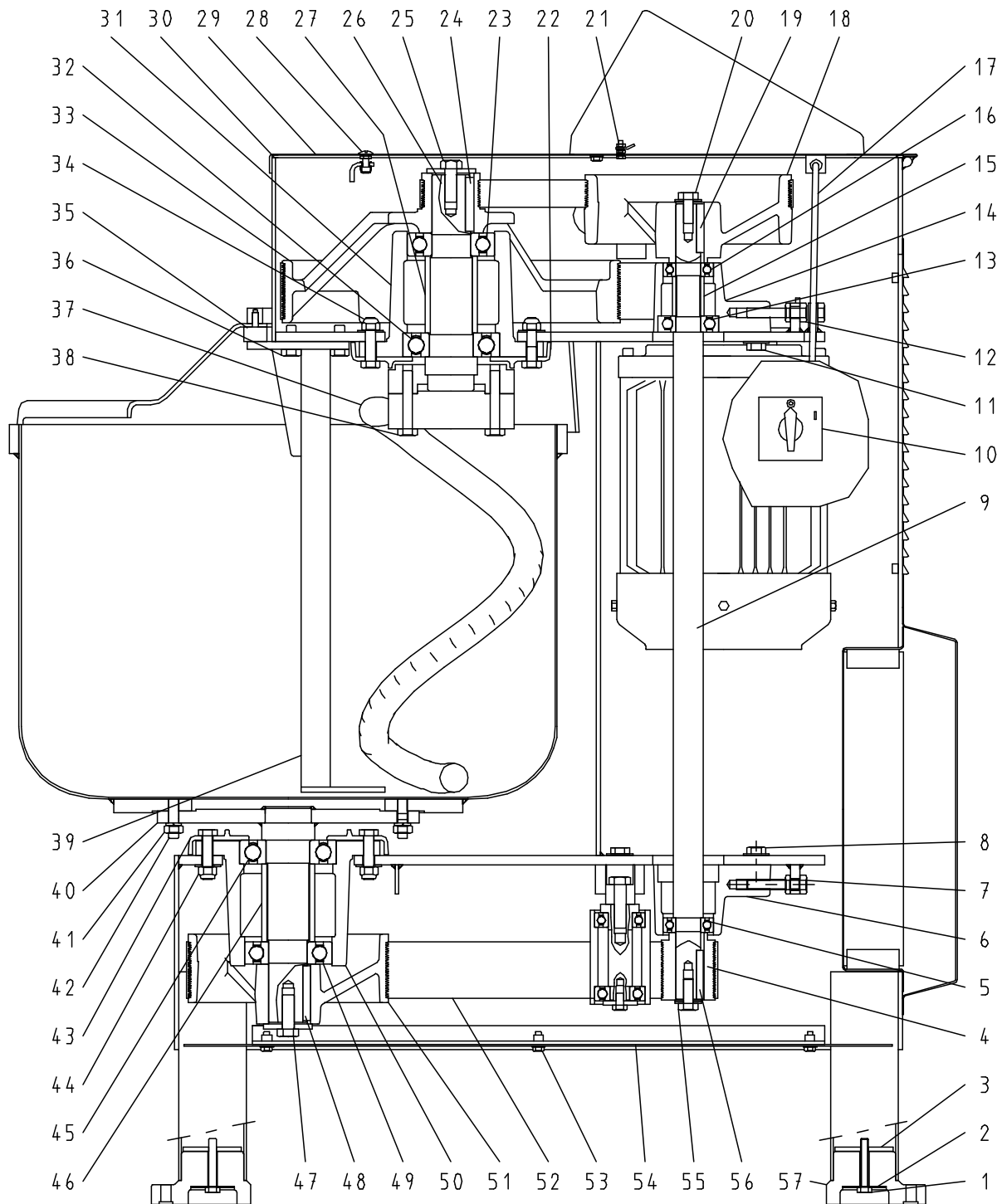


**PSR100****Modules classifications**

<b>A</b>	DITO SAMA
<b>B</b>	ELECTOLUX PROFESSIONAL

<b>Pag.</b>	<b>Index</b>
4	Exploded view - Construction - Transmission - engine
5-7	Parts list - Construction - Transmission - engine
8	Exploded view - Construction - Transmission - engine
9	Parts list - Construction - Transmission - engine
10	Exploded view - Electrical
11-12	Parts list - Electrical

PSR100 - Exploded view - Construction - Transmission - Engine



PSR100 - Parts list - Construction - Transmission - Engine

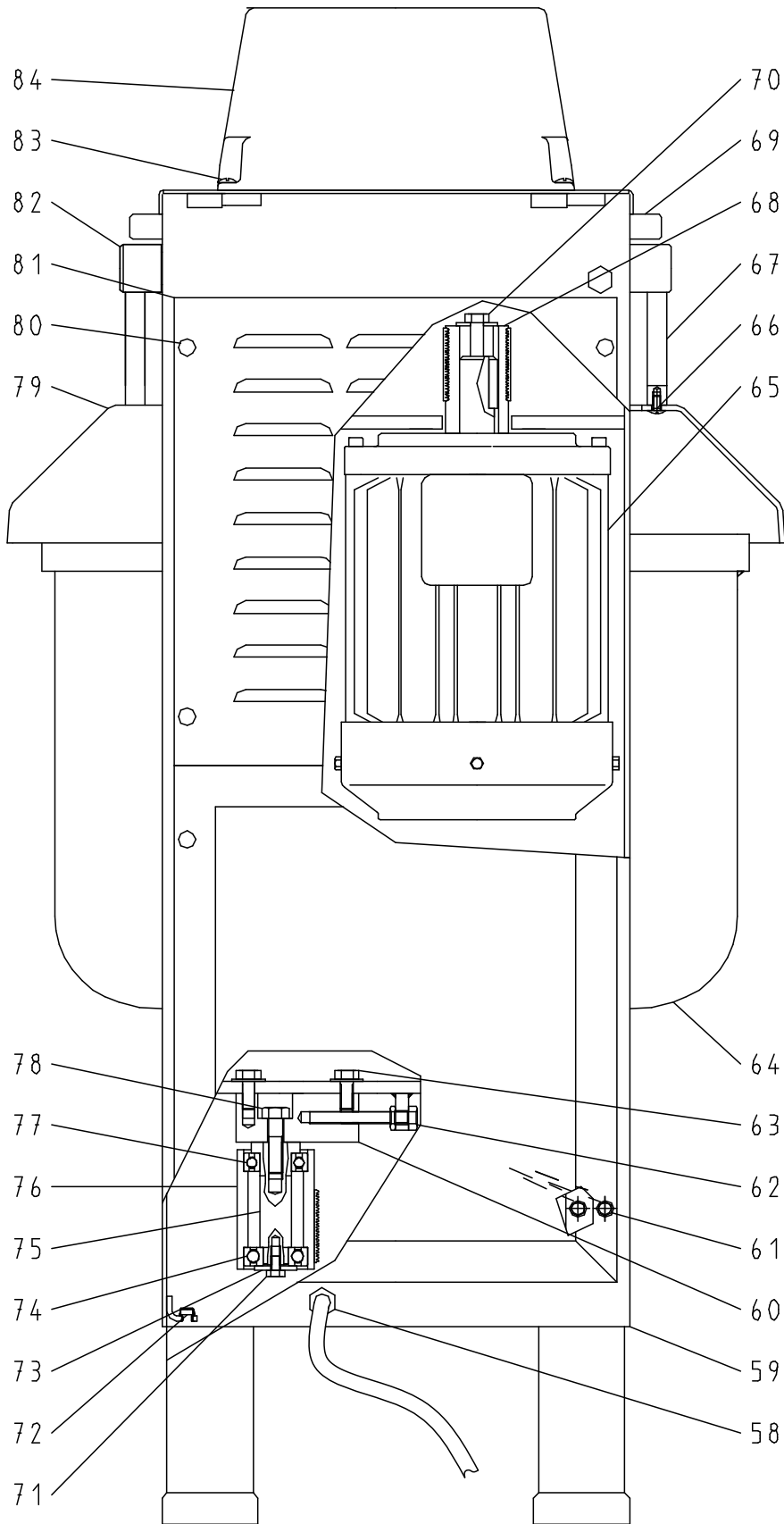
Pos.	Code	Description	V	W&T	Ref.	Notes	S/N break
1	0D0598	Screw TH M8 x 50 (set x 10)					
2	0D3581	Washer 45 x 10,5 x 2 (set x 10)					
3	0KQ430	Pad assembly		X			
4	0D6374	Drive pulley		X			
5	0KQ394	Bearing 6205 2 RS		X			
6	0D6375	Intermediate bush					
7	0D5722	Screw TH M10 x 55 (set x 10)					
7	0D0581	Nut Hm10 (set x 10)					
8	0D3554	Screw H M10 x 25 (set x 10)					
8	0D0623	Washer CS L10 (set x 10)					
9	0D6376	Intermediate shaft		X			
10	0KQ461	Commutator	X				
10	0KQ480	Screw TF M4 x 15 (set x 10)					
10	0D0631	Washer CS M4 (set x 10)					
10	0D0520	Washer DE 4 (set x 10)					
10	0KL159	Nut Hu M4 (set x 10)					
11	0D3554	Screw TH M10 x 25 (set x 10)					
11	0D0623	Washer CS L10 (set x 10)					
12	0D5722	Screw TH M10 x 55 (set x 10)					
12	0D0581	Nut Hm10 (set x 10)					
13	0KJ748	Bearing 6305 2 RS		X			
14	0D6375	Intermediate bush					
15	0D6377	Spacer 26 x 32 x 40					
16	0KQ394	Bearing 6205 2 RS		X			
17	0D6378	Cover hinge rod					
17	0D0624	Washer CS M6 (set x 10)					
17	0D0510	Lockwasher Ø 6 (set x 10)					
18	0D6379	Intermediate pulley		X			
19	0D6380	Key C 8x7x50 (set x 5)					
20	0D3554	Screw H M10 x 25 (set x 10)					
20	0D0623	Washer CS L10 (set x 10)					
21	0D6381	Screw C M4 x 25 (set x 10)					
21	0D0520	Washer DE 4 (set x 10)					
21	0KL159	Nut Hu M4 (set x 10)					
22	0D6382	Cup					
23	0D1129	Bearing 6308 2RS		X			
24	0D6383	Key C12x8x56 (set x 5)					
25	0U0670	Screw TH M12 x 35 (set x 5)					
25	0D6384	Washer 12,5x50x5 (set x 5)					

PSR100 - Parts list - Construction - Transmission - Engine

Pos.	Code	Description	V	W&T	Ref.	Notes	S/N break
26	0D6385	Tool shaft					
27	0D6386	Spacer 44x54x80					
28	0U0237	Screw TRL M6 x 20 (set x 10)					
28	0D0629	Washer Z6 (set x 10)					
28	0D0503	Nut Hu M6 (set x 10)					
29	0D6387	Cover PSR100					
30	0D6388	Seal 7x4		X			
31	0D6389	Main bearing					
32	0D1130	Bearing 6309 2 RS		X			
33	0D6390	Driven pulley of tool		X			
34	0D6391	Screw TH M10x45 - 30 (set x 10)					
34	0D0623	Washer CS L 10 (set x 10)					
34	0U0651	Nut nyloc M10 (set x 10)					
35	0KI589	Stop M6					
36	0D6064	Screw TH M10 x 25 (set x 10)					
37	0D2456	Tool		X			
38	0D6064	Screw TH M10 x 60 (set x 2)					
38	0D5597	Washer CS L 10 (set x 10)					
39	0D6392	Middle bar		X			
40	0D2693	Bowl shaft		X			
41	0D0623	Washer CS L10 (set x 10)					
41	0D2958	Nut Hu M10 (set x 10)					
42	0D6393	Stud M10x40x15x20 (set x 6)					
43	0D6382	Cup					
44	0D6391	Screw TH M10 x 45 - 30 (set x 10)					
44	0D0623	Washer CS L 10 (set x 10)					
44	0U0651	Nut nyloc M10 (set x 10)					
45	0D1130	Bearing 6309 2 RS		X			
46	0D6386	Spacer 44x54x80					
47	0U0670	Screw TH M12x35 (set x 5)					
47	0D6384	Washer 12,5x50x5 (set x 5)					
48	0D6383	Key C12x8x56 (set x 5)					
49	0D1129	Bearing 6308 2 RS		X			
50	0D6389	Main bush					
51	0D2055	Driven pulley of bowl		X			
52	0D0291	Belt 1280 J 25	X	X			
53	0D0499	Screw TH M6x16 (set x 10)					
53	0D0624	Washer CS M 6 (set x 10)					
53	0D5647	Captive nut M6 (set x 10)					

PSR100 - Parts list - Construction - Transmission - Engine

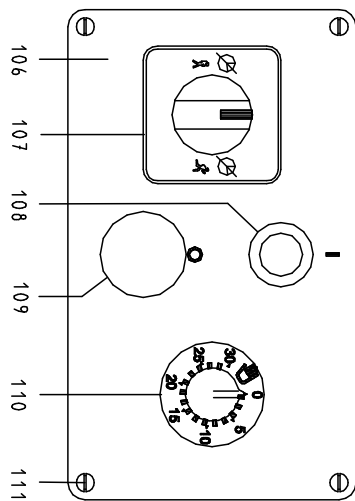
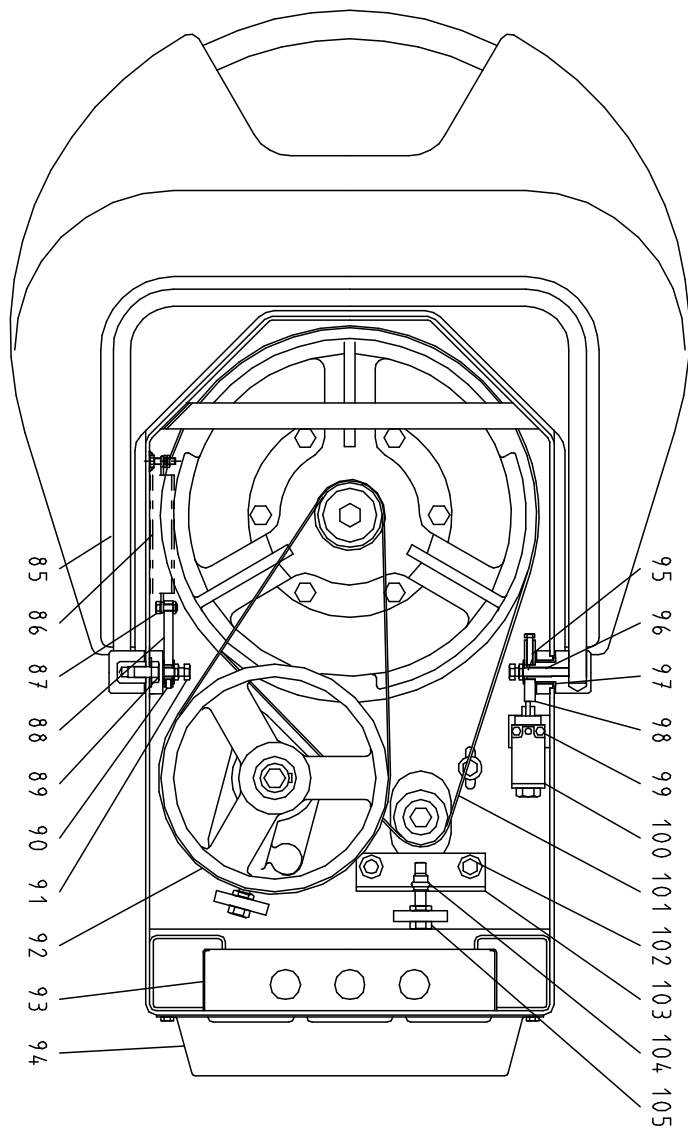
Pos.	Code	Description	V	W&T	Ref.	Notes	S/N break
54	0D6394	Base plate assembly					
55	0D6064	Screw TH M10x25 (set x 10)					
55	0D0623	Washer CS L 10 (set x 10)					
56	0D6380	Key C8x7x50 (set x 5)					
57	0U0556	Foot		X			





PSR100 - Parts list - Construction - Transmission - Engine

Pos.	Code	Description	V	W&T	Ref.	Notes	S/N break
58	0DF062	Supply cable 3 phase	X				
58	0DF061	Cable gland		X			
59	0D6327	Body					
60	0D6397	Roller bracket					
61	0D0499	Screw TH M6x16 (set x 10)					
61	0D0624	Washer CS M6 (set x 10)					
62	0D5722	Screw TH M10x55 (set x 10)					
62	0D0581	Nut H M10 (set x 10)					
63	0D3554	Screw TH M10x25 (set x 10)					
63	0D0623	Washer CS L10 (set x 10)					
64	0D6398	Bowl		X			
65	0D2370	2 speed motor	X				
66	0D0601	Screw TRL M6x12 (set x 10)					
67	0D6399	Guard frame					
68	0D6400	Drive pulley 50Hz		X			
69	0D6505	Guard stop		X			
70	0D5722	Screw TH M10x55 (set x 10)					
70	0D6070	Washer 32x11x3 (set x 10)					
71	0D1709	Screw TH M8x12 (set x 10)					
72	0D5647	Captive nut M6 (set x 10)					
73	0D6275	Washer 35x8,5x4 (set x 5)					
74	0KQ393	Bearing 6304 2 RS		X			
75	0D6504	Roller pin		X			
76	0D6418	Roller		X			
77	0KQ394	Bearing 6205 2 RS		X			
78	0D2331	Screw TH M12x45 - 30 (set x 10)					
79	0D2056	Guard		X			
80	0D0499	Screw TH M6x16 (set x 10)					
80	0D0624	Washer CS M6 (set x 10)					
80	0D5647	Captive nut M6 (set x 10)					
81	0D6419	Fan plate					
81	0KQ507	Seal 7x3		X			
82	0D5833	Guard pin assembly		X			
83	0D1017	Screw TRL M6x16 (set x 10)					
83	0D0624	Washer CS M6 (set x 10)					
83	0D0503	Nut Hu M6 (set x 10)					
84	0D6420	Control housing PSR100					



## PSR100 - Parts list - Electrical

Pos.	Code	Description	V	W&T	Ref.	Notes	S/N break
85	0D5835	Screen flange					
86	0KJ057	Spring		X			
87	0D0499	Screw TH M6x16 stainless steel (set x 10)					
87	0D0503	Nut HU M6 stainless steel (set x 10)					
87	0D0590	Nut HM6 (set x 10)					
88	0D5834	Spring arm					
89	0U0662	Screw TH M10x16 aczn (set x 10)					
89	0D2265	Washer W10 (set x 10)					
90	0D2109	Screw SHC M5x8 flat end (set x 10)					
91	0D0598	Screw TH M8x50 ac80 (set x 10)					
91	0KQ523	Nut HM M8 aczn (set x 10)					
91	0D3538	Washer CS L8 (set x 10)					
92	0KJ040	Belt	X	X			
93	0D6421	Electrical unit					
94	0D6422	Rear cover					
94	0KQ507	Seal		X			
95	0D2109	Screw SHC M5x8 flat end (set x 10)					
96	0D0598	Screw TH M8x50 ac80 (set x 10)					
96	0KQ523	Nut HM M8 aczn (set x 10)					
96	0D3538	Washer CS L8 aczn8b (set x 10)					
97	0HD005	Neck bushing 18x22x18		X			
98	0D6423	Cam					
99	0D3399	Screw TCHC M4x40 (set x 10)					
99	0D0631	Washer contact 4 (set x 10)					
100	0KQ206	Position detector	X				
101	0D0291	Poly V-belt	X	X			
102	0D2329	Screw TH M8x30 (set x 10)					
102	0D3538	Washer CS L8 (set x 10)					
103	0D6424	Tension bracket					
104	0D5722	Screw TH M10x55 (set x 10)					
104	0D0581	Ecrou HM M10 aczn (set x 10)					
106	0D6428	Manual control plate					
107	0KL072	Commutator	X				
108	0KQ666	On button	X				
109	0K7433	Off button	X				
110	0KQ310	30' timer	X				

Pos.	Code	Description	V	W&T	Ref.	Notes	S/N break
110	0KQ677	Timer seal		X			
110	0D6429	30' timer plate		X			
110	0D1611	Button body		X			
110	0KQ526	Screw SHC M4x8 stainless steel (set x 10)					
110	0KL159	Nut HU M4 stainless steel (set x 10)					
110	0D3298	Button trim		X			
110	0D0610	Screw TC M4x8 (set x 10)					
111	0D0521	Screw TFB M4x10 (set x 10)					

CE