

**TRK 45 / 55 / 70**

PNC	Model	Modules	Description	Note
600481	TRK45	B;C;J	CUTTER SLICER 4,5L - VARIABLE SPEED - 1000W	
600428	TRK45	A;C;H;J	CUTTER SLICER 4,5L - VARIABLE SPEED - 1000W - AUSTRALIA	
600431	TRK45	A;C;J	CUTTER SLICER 4,5L - VARIABLE SPEED - 1000W	
600432	TRK45	A;C;I;J	CUTTER SLICER 4,5L - VARIABLE SPEED - 1000W - CB APPROVED	
600433	TRK45	A;C;F;J	CUTTER SLICER 4,5L - VARIABLE SPEED - 1000W - UK PLUG	
600478	TRK45VVEK	B;D;J	CUTTER SLICER 4,5L - VARIABLE SPEED - 1000W - KOREA	
600482	TRK45	B;C;I;J	CUTTER SLICER 4,5L - VARIABLE SPEED - 1000W - CB APPROVED	
600483	TRK45	B;C;F;J	CUTTER SLICER 4,5L - VARIABLE SPEED - 1000W - UK PLUG	
600484	TRK45	B;C;H;J	CUTTER SLICER 4,5L - VARIABLE SPEED - 1000W - AUSTRALIA	
600493	TRK45	B;E;J	CUTTER SLICER 4,5L - VARIABLE SPEED - 1000W - USA	
600532	TRK45	A;C;G;I;J	CUTTER SLICER 4,5L - VARIABLE SPEED - 1000W - CB APPROVED - UK SASO PLUG	
600541	TRK45	B;C;G;I;J	CUTTER SLICER 4,5L - VARIABLE SPEED - 1000W - CB APPROVED - UK SASO PLUG	
600434	TRK55	A;C;K	CUTTER SLICER 5,5L - VARIABLE SPEED - 1300W	
600435	TRK55	A;C;I;K	CUTTER SLICER 5,5L - VARIABLE SPEED - 1300W - CB APPROVED	
600436	TRK55	A;C;F;K	CUTTER SLICER 5,5L - VARIABLE SPEED - 1300W - UK PLUG	
600485	TRK55	B;C;K	CUTTER SLICER 5,5L - VARIABLE SPEED - 1300W	
600486	TRK55	B;C;I;K	CUTTER SLICER 5,5L - VARIABLE SPEED - 1300W - CB APPROVED	
600487	TRK55	B;C;F;K	CUTTER SLICER 5,5L - VARIABLE SPEED - 1300W - UK PLUG	
600488	TRK55	B;C;H;K	CUTTER SLICER 5,5L - VARIABLE SPEED - 1300W - AUSTRALIA	
600494	TRK55	B;E;K	CUTTER SLICER 5,5L - VARIABLE SPEED - 1300W - USA	
600533	TRK55	A;C;G;I;K	CUTTER SLICER 5,5L - VARIABLE SPEED - 1300W - CB APPROVED - UK SASO PLUG	
600542	TRK55	B;C;G;I;K	CUTTER SLICER 5,5L - VARIABLE SPEED - 1300W	

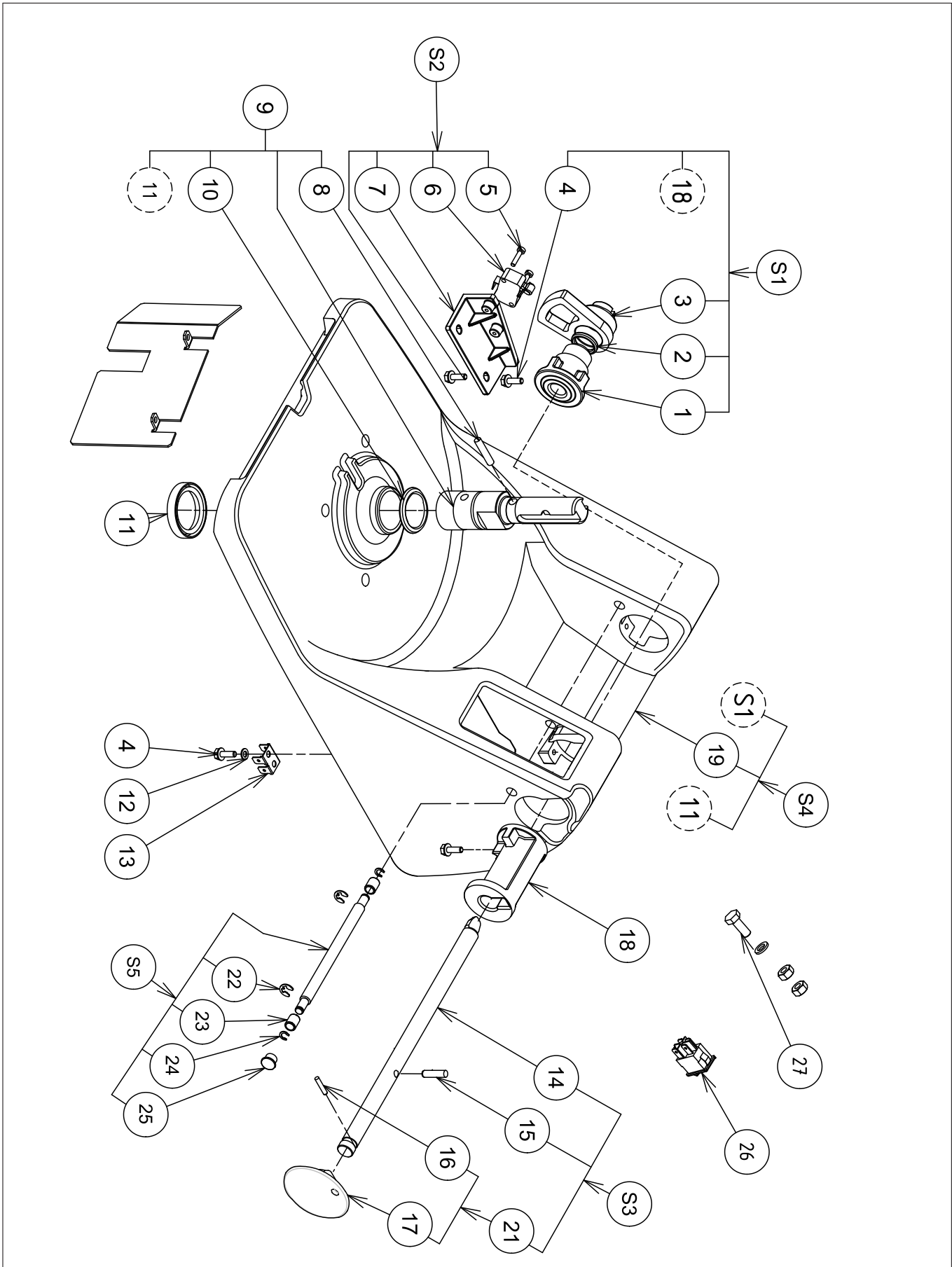
**TRK 45 / 55 / 70**

PNC	Model	Modules	Description	Note
600437	TRK70	A;C;L	CUTTER SLICER 7L - VARIABLE SPEED - 1500W	
600438	TRK70	A;C;I;L	CUTTER SLICER 7L - VARIABLE SPEED - 1500W - CB APPROVED	
600439	TRK70	A;C;F;L	CUTTER SLICER 7L - VARIABLE SPEED - 1500W - UK PLUG	
600489	TRK70	B;C;L	CUTTER SLICER 7L - VARIABLE SPEED - 1500W	
600490	TRK70	B;C;I;L	CUTTER SLICER 7L - VARIABLE SPEED - 1500W - CB APPROVED	
600491	TRK70	B;C;F;L	CUTTER SLICER 7L - VARIABLE SPEED - 1500W - UK PLUG	
600495	TRK70	B;E;L	CUTTER SLICER 7L - VARIABLE SPEED - 1500W - USA	
600534	TRK70	A;C;G;I;L	CUTTER SLICER 7L - VARIABLE SPEED - 1500W - CB APPROVED - UK SASO PLUG	
600543	TRK70	B;C;G;I;L	CUTTER SLICER 7L - VARIABLE SPEED - 1500W - CB APPROVED - UK SASO PLUG	

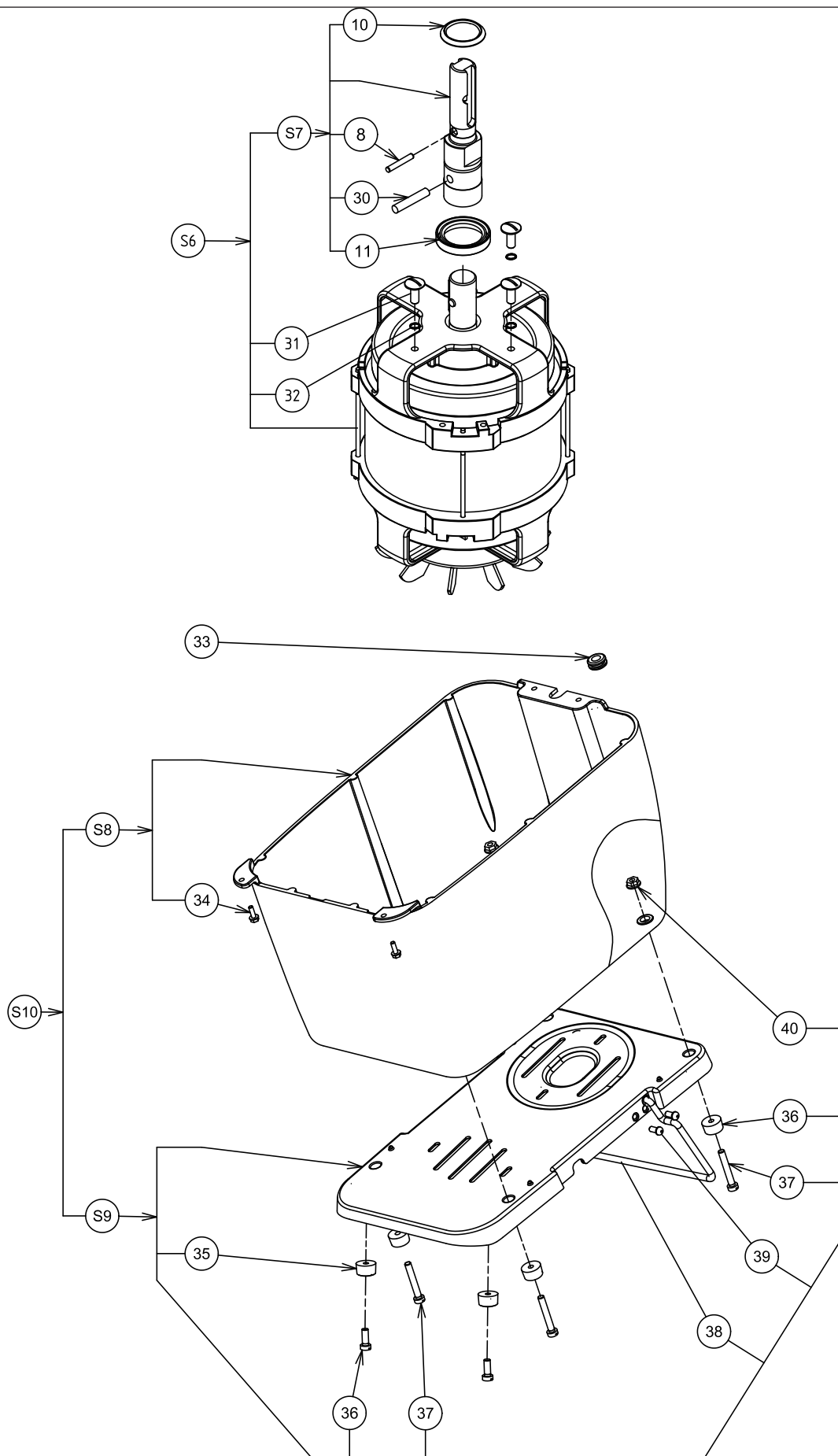
**TRK 45 / 55 / 70****Modules classifications**

<b>A</b>	DITO SAMA
<b>B</b>	ELECTROLUX PROFESSIONAL
<b>C</b>	I - 200-240V 50/60HZ
<b>D</b>	I - 220V 60HZ
<b>E</b>	I - 110-120V 60HZ
<b>F</b>	UK PLUG
<b>G</b>	UK SASO PLUG
<b>H</b>	AUSTRALIE PLUG
<b>I</b>	MAIN SWITCH
<b>J</b>	4,5 LITERS
<b>K</b>	5 LITERS
<b>L</b>	7 LITERS

<b>Pag.</b>	<b>Index</b>
4	Exploded view - Body
5	Parts list - Body
6	Exploded view - Motor
7	Parts list - Motor
8	Exploded view - Lid + Bowl
9	Parts list - Lid + Bowl
10	Exploded view - Variable speed unit circuit board
11	Parts list - Variable speed unit circuit board
12	Exploded view - Hopper
13	Parts list - Hopper

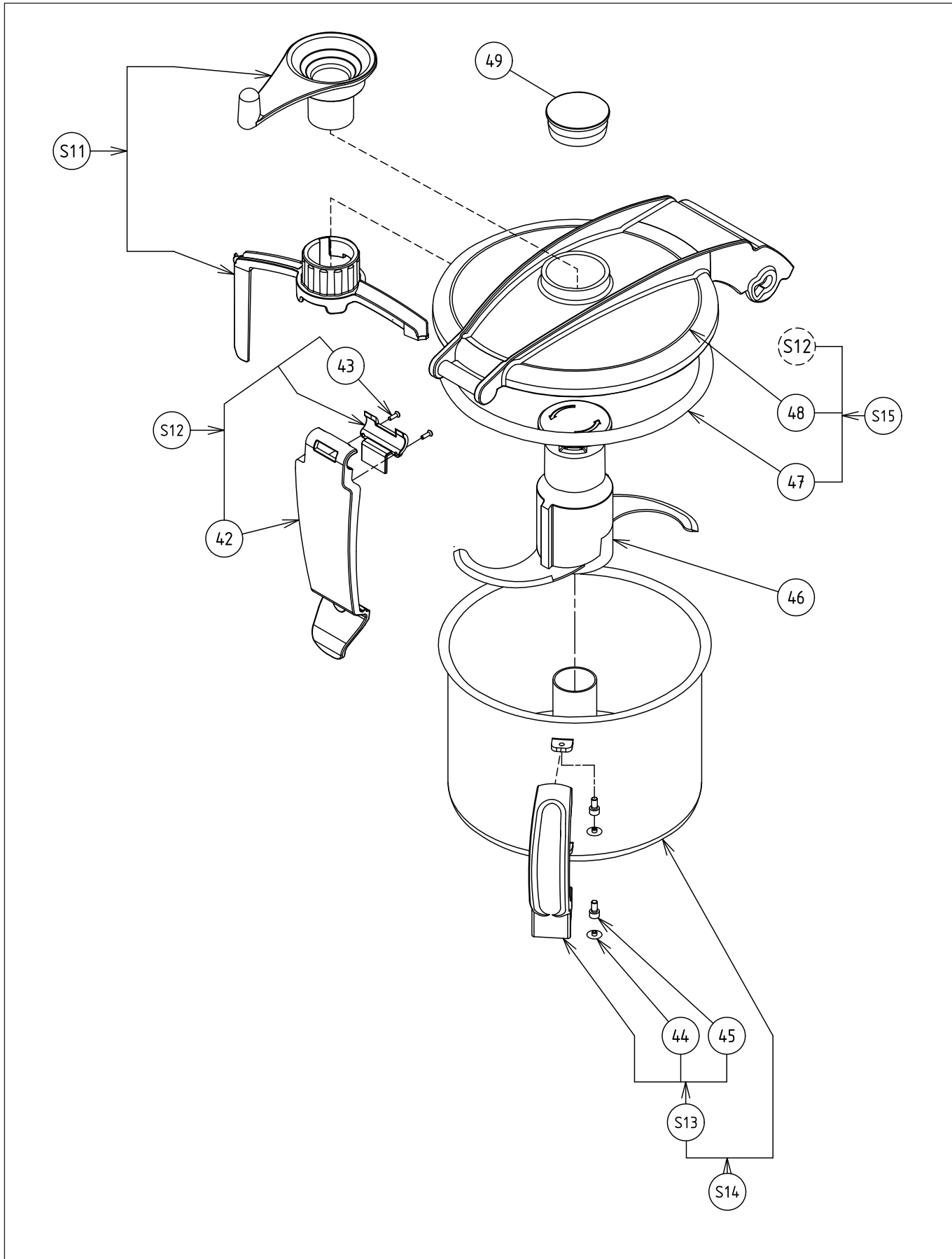


Pos.	Code	Description	V	W&T	Ref.	Notes	S/N break
1	0D5412	Sleeve					
2	0D2662	15.54x2.62 O-ring (set x 10)		X			
3	0D5413	Cam					
4	0D6754	M4x12 screw (set x 10)					
5	0D5414	1412 K30/16 PTWN screw (set x 10)					
6	0D6620	Micro-switch with wafer	X				
7	0D5415	Micro-switch support					
8	0D7860	G06 5x25 pin (set x 10)					
9	0D5997	K19 shaft assembly					
10	0D5419	Deflector		X			
11	0KI998	28x40x7 lip seal (set x 5)		X			
12	0D0520	4 washer (set x 10)					
13	0D3567	Brass earth cable terminal (set x 5)					
14	0D5426	Spindle					
15	0D0396	G05 5x20 pin (set x 10)					
16	0KQ479	G01 3x16 pin (set x 10)					
17	0D5427	Button		X			
18	0D5428	Guide					
19	0D5429	Body CE					
19	0DF047	Body CB			I		
21	0D7492	Button assembly		X			
22	0D7859	Circlip 8E ( set x 10 )					
23	0D7857	Bearing ( set x 10 )		X			
24	0D7858	Circlip 6E ( set x 10 )					
25	0D2189	Cap ( set x 10 )					
26	0D7991	Switch assembly CB	X		I		
26	0D7992	Hood switch CB		X	I		
27	0D0499	M6x16 screw (set x 10) CB			I		
27	0D0503	Nut HU M6 (set x 10) CB			I		
S1	0D5430	Complete sleeve + guide					
S2	0D5431	Micro-switch support assembly					
S3	0D5432	Spindle assembly		X			
S4	0D5433	Body assembly CE					
S4	0DF034	Body assembly CB			I		
S5	0D7856	Assembly pin					



## TRK - Parts list - Body

Pos.	Code	Description	V	W&T	Ref.	Notes	S/N break
8	0D7860	G06 5x25 pin (set x 10)					
10	0D5419	Deflector		X			
11	0KI998	28x40x7 lip seal (set x 5)		X			
30	0D0571	G02 6x24 pin (set x 10)					
31	0D1017	M6x16 TRL screw (set x 10)					
32	0D5144	O-ring (set x 5)		X			
S6	0D7942	Motor 200/240-50/60Hz-1Kw assembly	X		J		
S6	0D7943	Motor 200/240-50/60Hz-1.3Kw assembly	X		K		
S6	0D5847	Motor 200/240-50/60Hz-1.5Kw assembly	X		L		
S7	0D5997	Shaft assembly		X			
33	0D1014	Grommet 9.5x13x3 (set x 10)		X			
34	0D6754	screw M4x12 (set x 10)					
35	0D7136	Pad (set x 6)		X			
36	0D0615	TC screw M6x16 (set x 10)					
37	0D3039	TC screw M6x40 (set x 10)					
38	0D5549	Crutch					
39	0KQ699	Stop (set x 5)		X			
40	0D6782	Nut HU M6 (set x10)					
S8	0D5566	Right casing					
S9	0D7974	Complete reclining base					
S10	0D7975	Complete casing TRK					

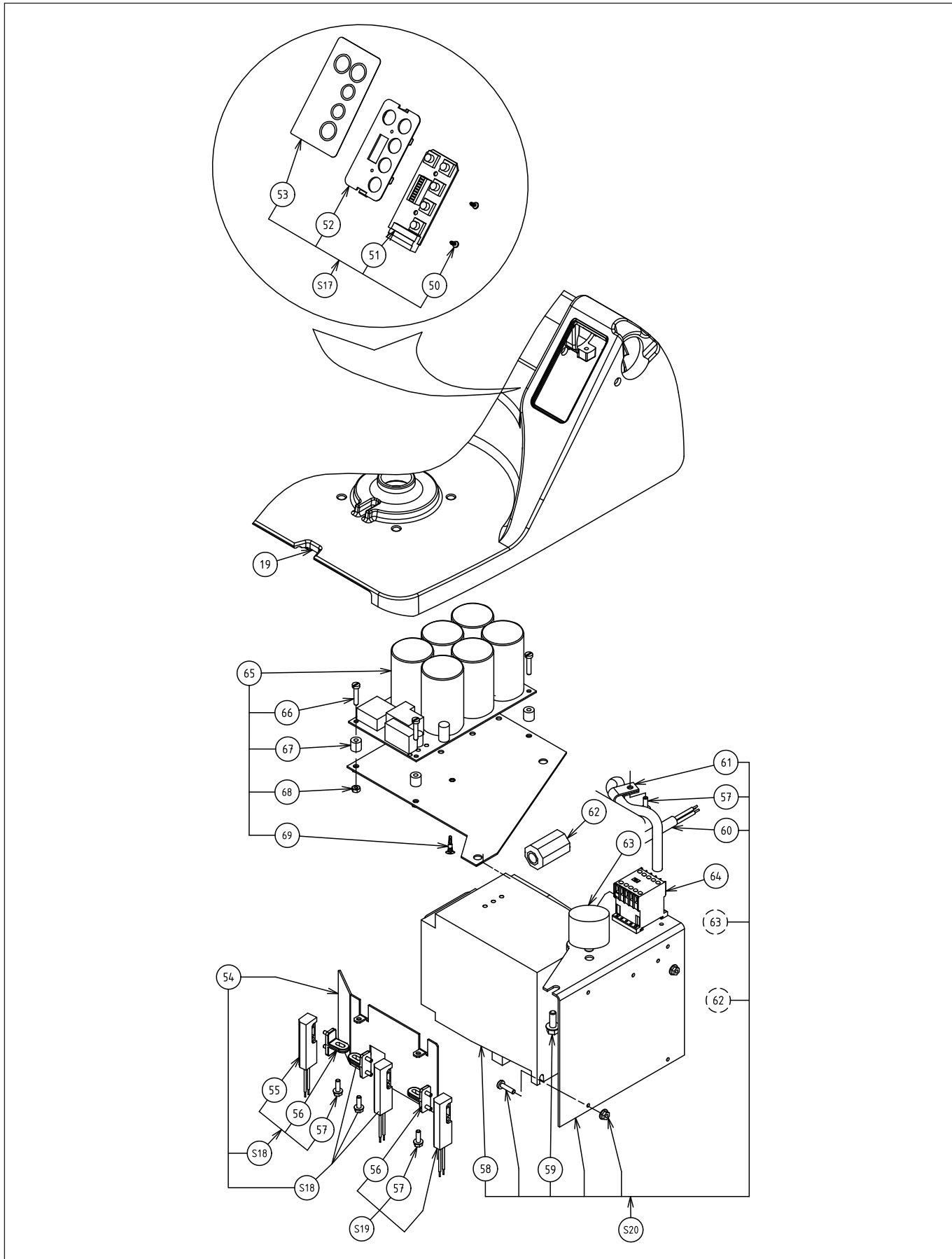




## TRK - Parts list - Lid + Bowl

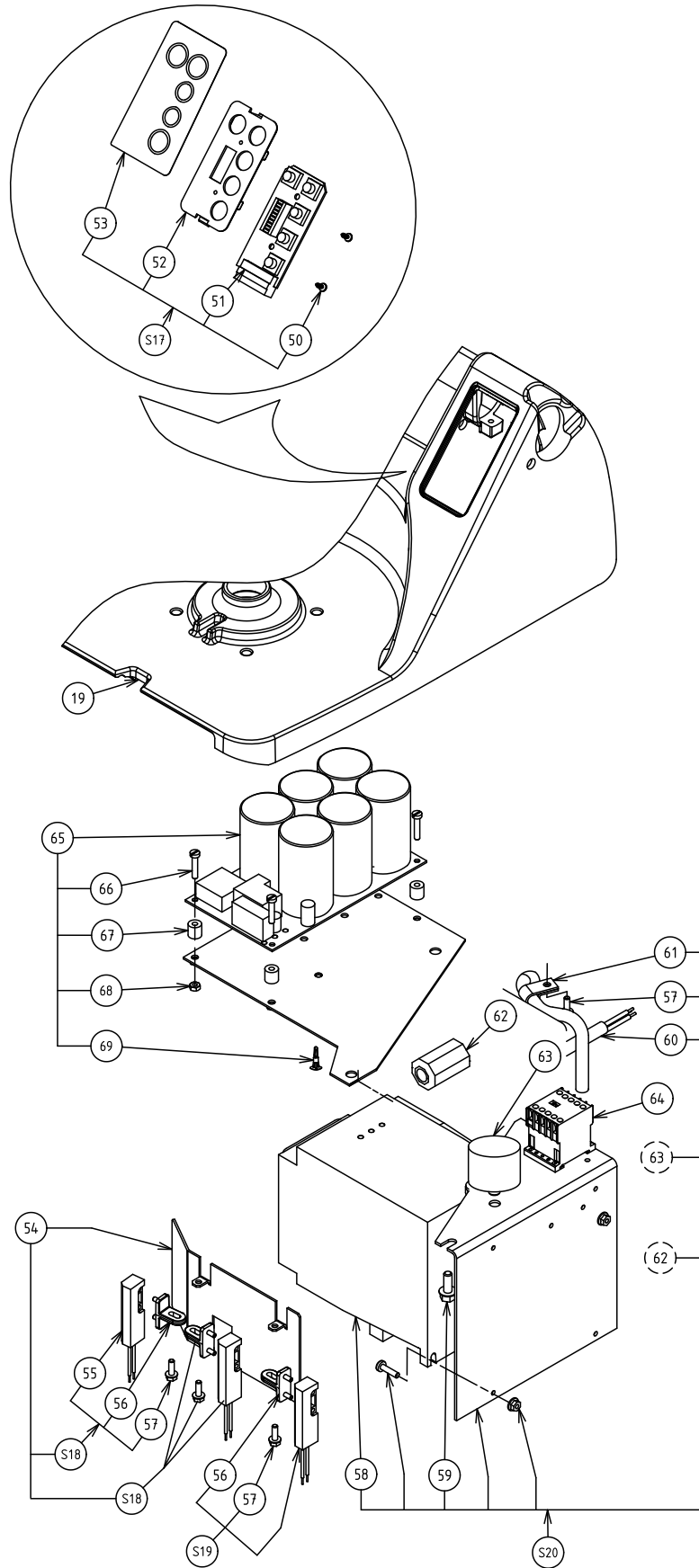
Pos.	Code	Description	V	W&T	Ref.	Notes	S/N break
42	0D5439	Lid clamp handle	X				
43	0D7973	M3x10 F screw (set x 10)					
44	0D5442	6p concave screw cover (set x 10)					
45	0D2108	M5x10 TCHC screw (set x 15)					
46	653579	4.5-litres smooth rotor		X	J		
46	653580	4.5-litres micro-toothed rotor		X	J		
46	653581	5-litres smooth rotor		X	K		
46	653582	5-litres micro-toothed rotor		X	K		
46	653583	7-litres smooth rotor		X	L		
46	653584	7-litres micro-toothed rotor		X	L		
47	0D5490	Lid seal		X			
48	0D5491	4,5 / 5 -litres lid	X		J;K		
48	0D5492	7-litres lid	X		L		
49	0D1054	Plug (set x 4)		X			
S11	0D5493	K45 complete bowl lid scraper		X	J		
S11	0D5494	K55/K70 complete bowl lid scraper		X	K;L		
S12	0D7947	Lid clamp handle assembly	X				
S13	0D5496	Bowl handle assembly		X			
S14	653589	Complete 4.5-litres bowl	X		J		
S14	653590	Complete 5-litres bowl	X		K		
S14	653593	Complete 7-litres bowl	X		L		
S15	0D7983	Complete 4.5/5-litres lid	X		J;K		
S15	0D7984	Complete 7-litres lid	X		L		

TRK - Exploded view - Variable speed unit circuit board



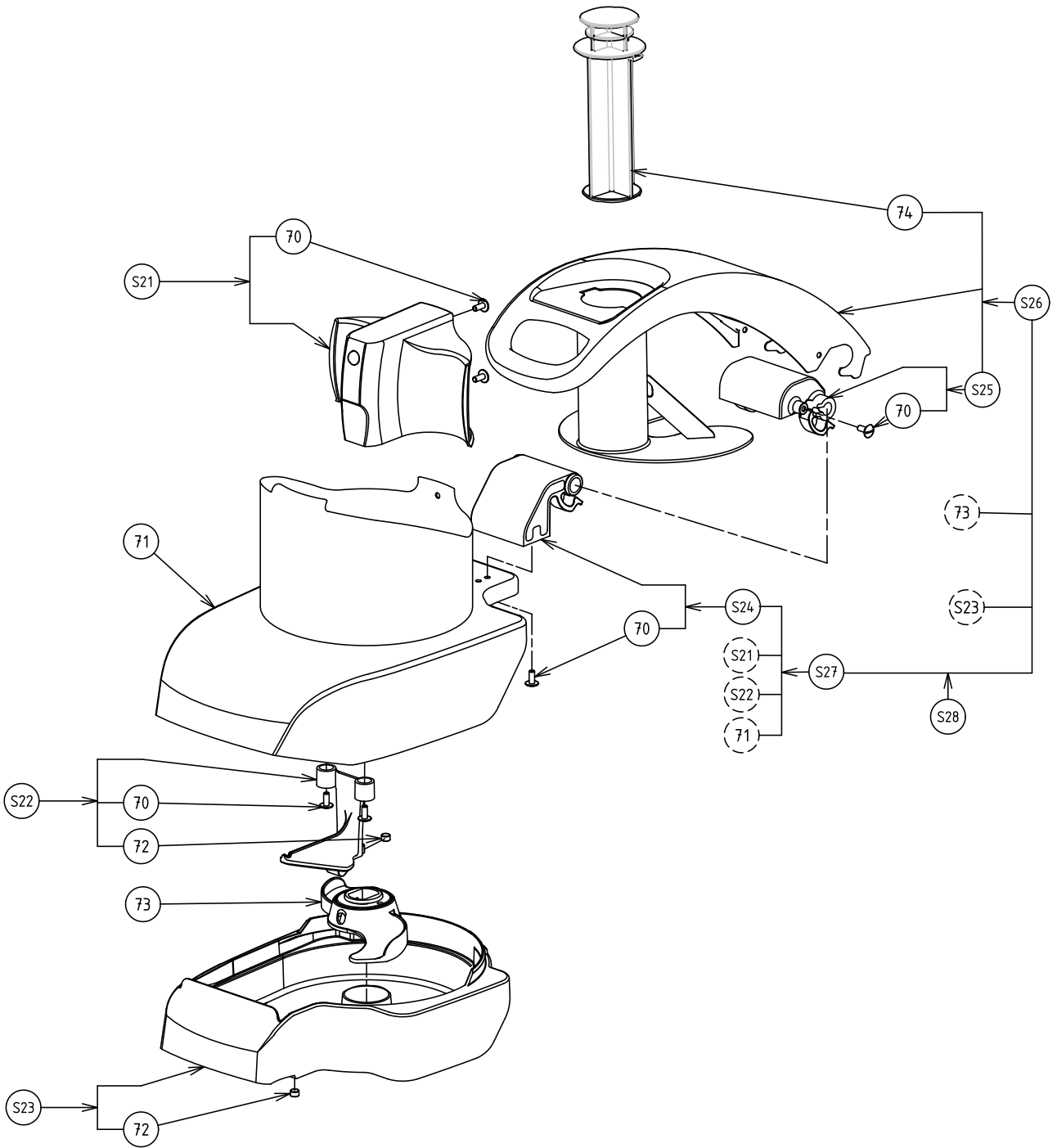
TRK - Parts list - Variable speed unit circuit board

Pos.	Code	Description	V	W&T	Ref.	Notes	S/N break
19	0D5429	Body CE					
19	0DF047	Body CB			I		
50	0D2918	1442 K30/8 PTWN screw (set x 10)					
51	0D5546	Power/On/Off/+/- control board	X				
52	0D5515	Control card support					
53	0D7093	K45 Variable speed control panel plate		X	J		
53	0D7094	K55 Variable speed control panel plate		X	K		
53	0D7095	K70 Variable speed control panel plate		X	L		
54	0D6439	Complete PSA support					
55	0D6626	Proximity detector	X				
56	0D5517	Detector support					
57	0D6754	M4x12 screw (set x 10)					
58	0D7976	Variable speed unit	X				
59	0D6708	M6x16 Taptite screw (set x 10)					
60	0D6135	Single phase power supply lead assembly	X				
60	0D7979	Single phase power supply UK	X		F		
60	0D8005	Single phase power supply UK SASO	X		G		
60	0D7995	Single phase power supply USA	X		E		
61	0D7969	Tie NE5 (set x 10)		X			
62	0D7949	Ferrite	X		I		
63	0D7948	Inductance	X		I		
64	0D7994	Contacto 9A	X		I		
65	0D6884	Voltage doubler packed	X		E		up to 44/2022
65	0DF040	Voltage doubler packed	X		E		from 45/2022
66	0D6755	M4x20 screw (set x 10)					
67	0D6441	Spacer 4x10x10 (set x 10)					
68	0D6756	HU M4 nut (set x 10)					
69	0D2848	Printed circuit fixing spacer (set x 6)					
S17	0D5580	Complete K45 Variable speed control card	X		J		
S17	0D5581	Complete K55 Variable speed. control card	X		K		
S17	0D5582	Complete K70 Variable speed control card	X		L		
S17	0D6593	Complete K45 Variable speed control card USA	X		E,J		
S17	0D6594	Complete K55 Variable speed control card USA	X		E;K		
S17	0D6595	Complete K70 Variable speed control card USA	X		E;L		



Pos.	Code	Description	V	W&T	Ref.	Notes	S/N break
S18	0D5543	Complete PSA support (lug holder)	X				
S19	0D7982	Complete PSA support (clip holder)	X				
S20	0D7977	Complete variable speed unit support	X				

TRK - Exploded view - Hopper



## TRK - Parts list - Hopper

Pos.	Code	Description	V	W&T	Ref.	Notes	S/N break
70	0U0666	M5x12 TRL screw (set x 10)					
71	0D6737	U TR standard hopper	X				
72	0D5334	8 x 5 NEODYMIUM magnet		X			
73	0D5554	Standard ejector	X				
74	0D7972	Pusher	X				
<b>S21</b>	0D5560	Shoe assembly		X			
<b>S22</b>	0D5561	Locking handle assembly		X			
<b>S23</b>	0D8020	Cutting chamber assembly	X				
<b>S24</b>	0D7933	Hopper hinge assembly		X			
<b>S25</b>	0D7935	Ram hinge assembly		X			
<b>S26</b>	0D8002	Ram assembly	X				
<b>S27</b>	0D7934	Hopper assembly	X				
<b>S28</b>	0D8003	Complete hopper	X				







CE