

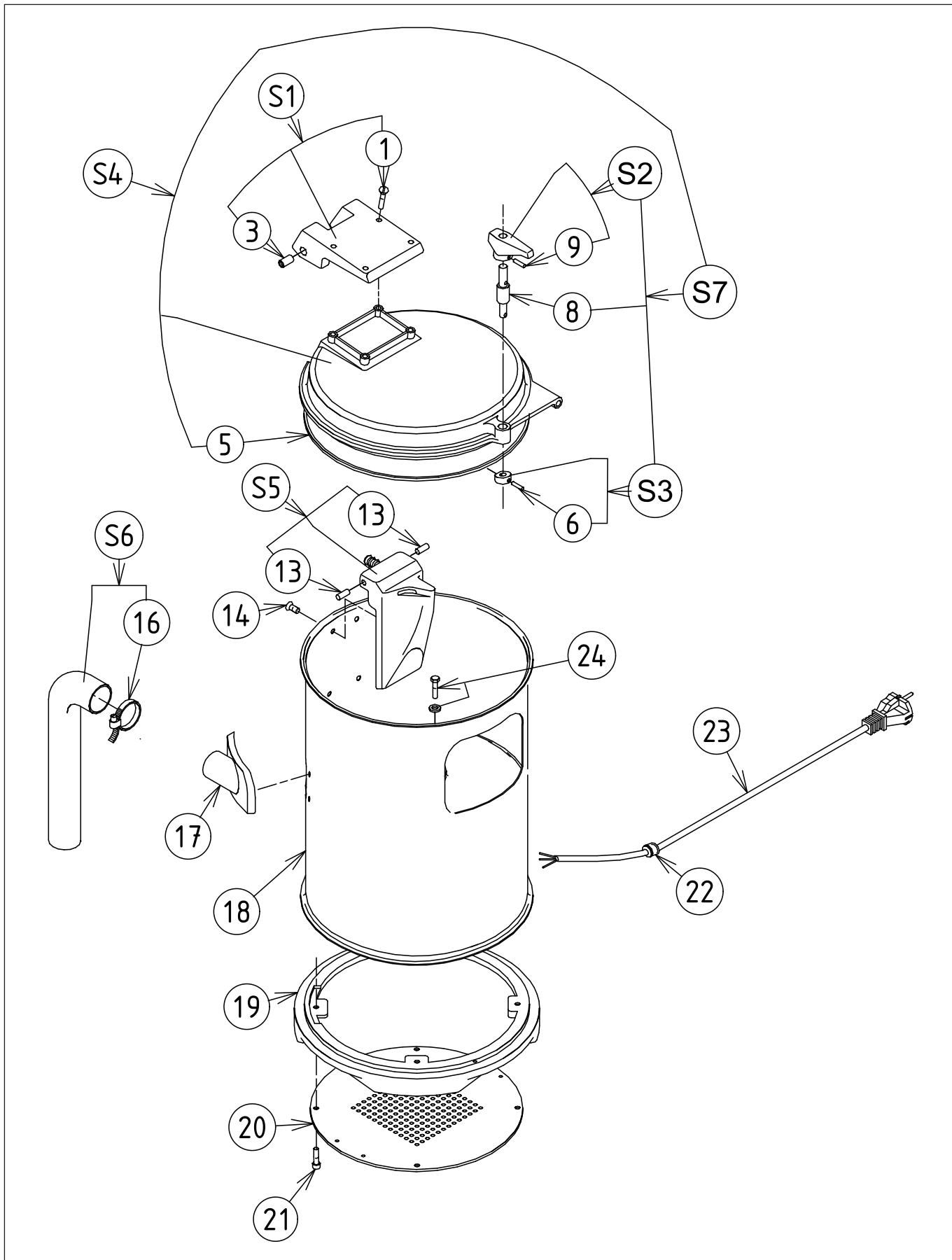
T5S

PNC	Model	Modules	Description	Note
601218	T5S	B;C;E	VEGETEBLE PEELER - ABRASIVE PLATE - 220 240 50 - CE SHUKO	
603501	T5S	A;C;E	VEGETEBLE PEELER - ABRASIVE PLATE - 220 240 50 - CE SHUKO	
603796	T5S	A;C;D	VEGETEBLE PEELER - ABRASIVE PLATE - 220 240 50 - UK PLUG	
603848	T5S	B;C;E;F	VEGETEBLE PEELER - ABRASIVE PLATE - 220 240 50 - CE SHUKO - TABLE	
603849	T5S	A;C;E;F	VEGETEBLE PEELER - ABRASIVE PLATE - 220 240 50 - CE SHUKO - TABLE	

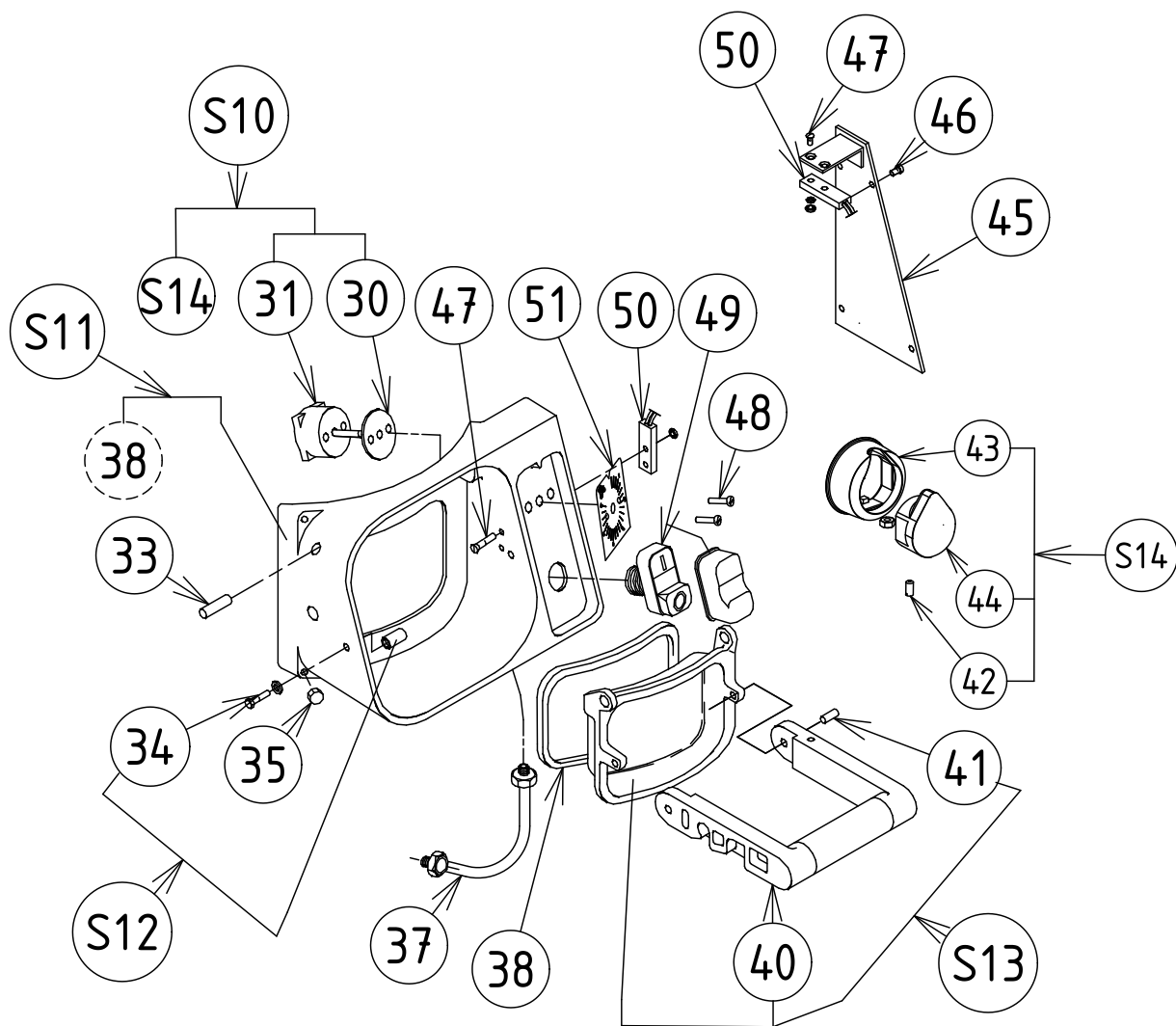
T5S**Modules classifications**

A	DITO SAMA
B	ELECTROLUX PROFESSIONAL
C	1 220-240 50
D	UK PLUG
E	CE SCHUKO
F	TABLE

Pag.	Index
4	Exploded view - Casing
5	Parts list - Casing
6	Exploded view - Spout
7	Parts list - Spout
8	Exploded view - Mechanism
9	Parts list - Mechanism

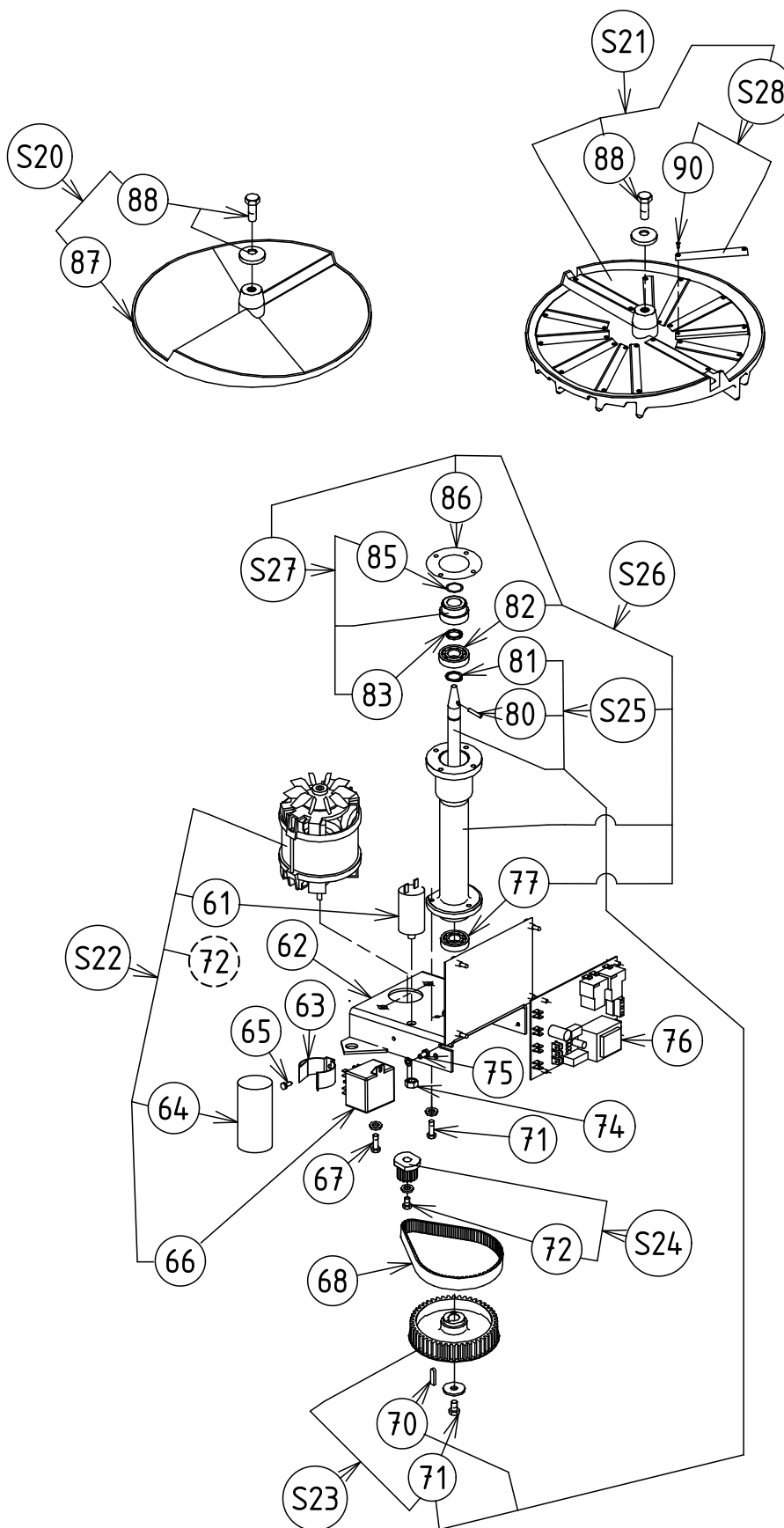


Pos.	Code	Description	V	W&T	Ref.	Notes	S/N break
1	0D0497	Screw TFB M4x12 stainless steel (set x 10)					
3	0KJ024	Ring (set x 5)					
5	0KI793	Lid seal		X			
6	0D0959	Pin G01 3x14 stainless steel (set x 10)					
8	0D6343	Knob pin					
9	0KQ483	Pin G01 3x20 (set x 10)					
13	0D0571	Pin G02 6x24 (set x 10)					
14	0D2894	Round wide-headed screw M5x8 stainless steel (set x 10)					
16	0D0383	Flexible pipe collar (set x 5)					
17	0D1833	Water outlet					
18	0D0325	Shell					
19	0D6344	Base					
20	0D0086	Bottom					
21	0D5133	Screw TC M5x25 stainless steel (set x 10)					
22	0D2312	Stuffing gland (set x 5)					
23	0D6345	Standard power supply lead		X	E		
23	0D7760	UK power supply lead		X	D		
24	0D0506	Screw TH M5x12 stainless steel (set x 10)					
24	0KQ514	Toothed washer 5 sealed (set x 10)					
S1	0KQ707	Complete hinge					
S2	0KX012	Bolt handle assembly (set x 5)					
S3	0D6342	Bolt lid assembly					
S4	0KJ025	Lid assembly	X				
S5	0D0032	Complete deflector					
S6	0D2571	Flexible pipe assembly		X			
S7	0KQ293	Complete bolt lid					



Pos.	Code	Description	V	W&T	Ref.	Notes	S/N break
30	0KQ677	Timer seal		X			
31	0D3605	Mechanical timer 6'	X				
33	0KQ518	Pin Go2 8x30 stainless steel (set x 10)					
34	0D0537	Screw TH M5x10 (set x 10)					
34	0D2297	Washer CS M5 (set x 10)					
35	0D0582	Cap Nut M5 (set x 10)					
36	Voir S12	Bolt pin					
37	0D6347	Cordon boitier commande/Control box lead		X			
38	0KJ026	Door seal	X				
40	0KC450	Handle					
41	0U0656	Pin GO2 10x25 (set x 5)					
42	0KL159	Nut HU M4 stainless steel (set x 10)					
42	0KQ526	Screw SHC M4x8 stainless steel (set x 10)					
43	0D1611	Button body					
44	0D3298	Button casing					
45	0D6348	Closing plate					
46	0D0610	Screw TC M4x8 stainless steel (set x 10)					
47	0D3416	Screw TF M3x20 stainless steel (set x 10)					
47	0D2877	Washer az3 (set x 10)					
47	033987	Nut HU M3 stainless steel (set x 10)					
48	0D0611	Screw TC M4x12 stainless steel (set x 10)					
48	0D0631	Contact washer 4 (set x 10)					
49	0KJ019	Button	X				
50	0D6349	Detector assembly	X				
51	0D6350	Timer plate					
S10	0K7499	Timer + button	X				
S11	0D6351	Spout assembly					
S12	0D1573	Door bolt pin (set x 2)					
S13	0D0037	Door assembly					
S14	0D1610	Complete button	X				

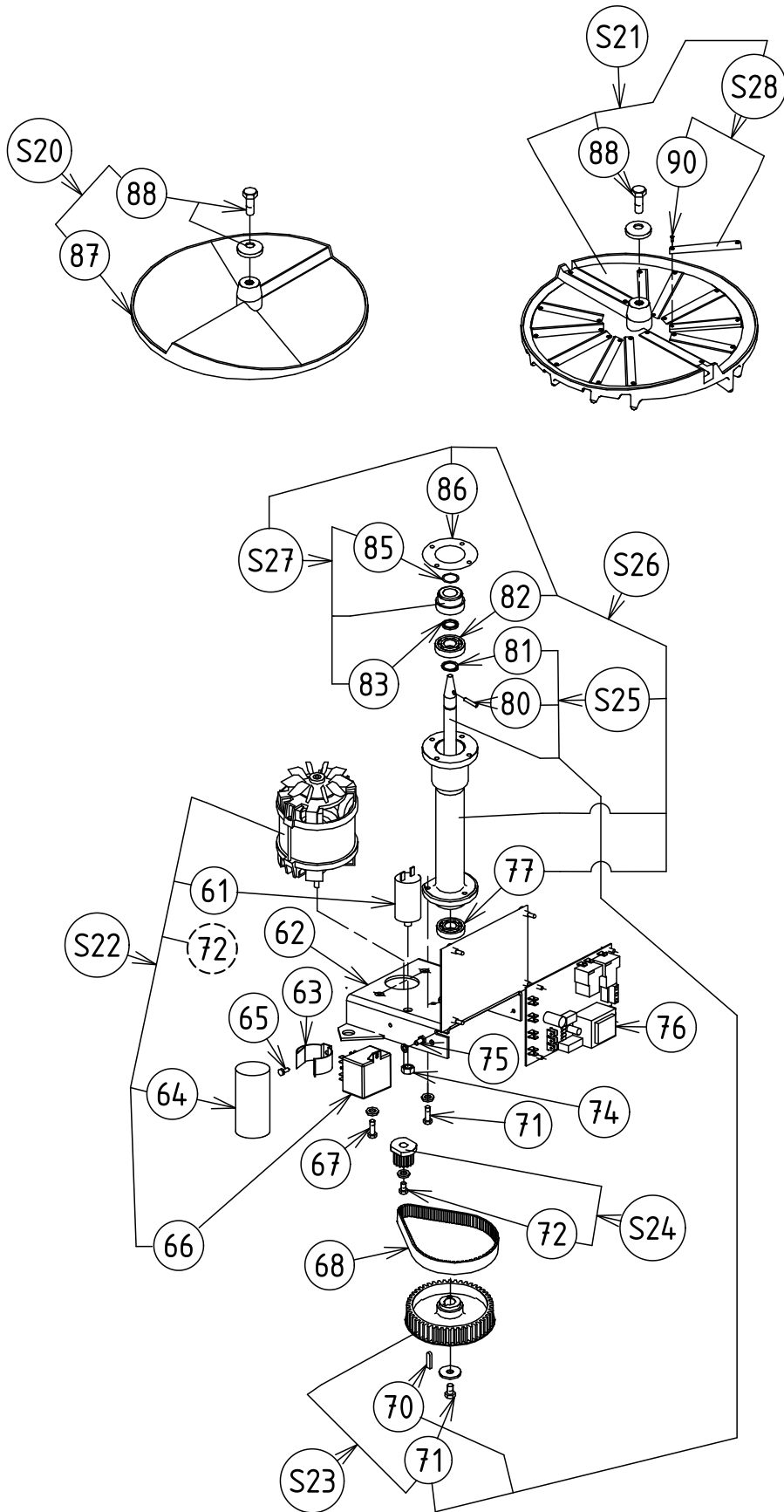
T5S - Exploded view - Mechanism



T5S - Parts list - Mechanism

Pos.	Code	Description	V	W&T	Ref.	Notes	S/N break
61	0KQ378	Running capacitor 6 mf 230v	X				
62	0D6352	Motor support					
63	0D3491	Yoke 100x18 (set x 5)					
64	0KQ377	Start capacitor 30mf 230v	X				
65	0U0665	Screw TH M4x10 stainless steel (set x 10)					
65	0D3065	Nut HUM4 (set x 10)					
66	0D7436	Relay ma 230v	X				
67	0KQ494	Screw TH M6x12 stainless steel (set x 10)					
67	0D0624	Washer CS 6 stainless steel (set x 10)					
68	0KJ735	Toothed belt	X				
70	0HD006	Key c4x4x18 (set x 5)					
71	0D0506	Screw TH M5x12 stainless steel (set x 10)					
71	0D0625	Washer CS 5 (set x 10)					
72	0D5298	Screw TH M4x12 (set x 10)					
72	0D2284	Washer CS 4 (set x 10)					
74	0D0642	Nut HU M8 stainless steel (set x 10)					
75	034196	Screw TC M5x8 (set x 10)					
75	0KQ491	Washer 5 (set x 10)					
76	0D7576	Single phase card 115-230/50-60	X				
77	0D5346	Bearing 6201		X			
80	0KJ031	Pin G06 5x30 stainless steel (set x 5)					
81	0KQ557	Circlips 15e (set x 10)					
82	0D0035	Bearing 6202		X			
83	0KJ029	Lip seal 17x28x6 (set x 5)					
85	0KQ575	O-ring 17,12x2,6 (set x 5)					
86	0KJ028	Bush seal		X			
88	0D1709	Screw TH M8x12 (set x 10)					
88	0D1620	Slicer plate					
90	0D0663	Screw TF M3x10 stainless steel (set x 10)					

T5S - Exploded view - Mechanism



T5S - Parts list - Mechanism

Pos.	Code	Description	V	W&T	Ref.	Notes	S/N break
S20	653182	Abrasive plate		X			
S21	653183	Knives plate					
S22	0KQ580	1 230 50/60 single phase motor assembly		X			
S23	0KJ033	Driven pulley assembly					
S24	0KJ030	Drive pulley assembly					
S25	0KJ036	Shaft assembly		X			
S26	0D0036	Bush assembly		X			
S27	0KL129	Sealing device		X			
S28	0D0038	Knife t5 + screw x12		X			

CE