

T25E

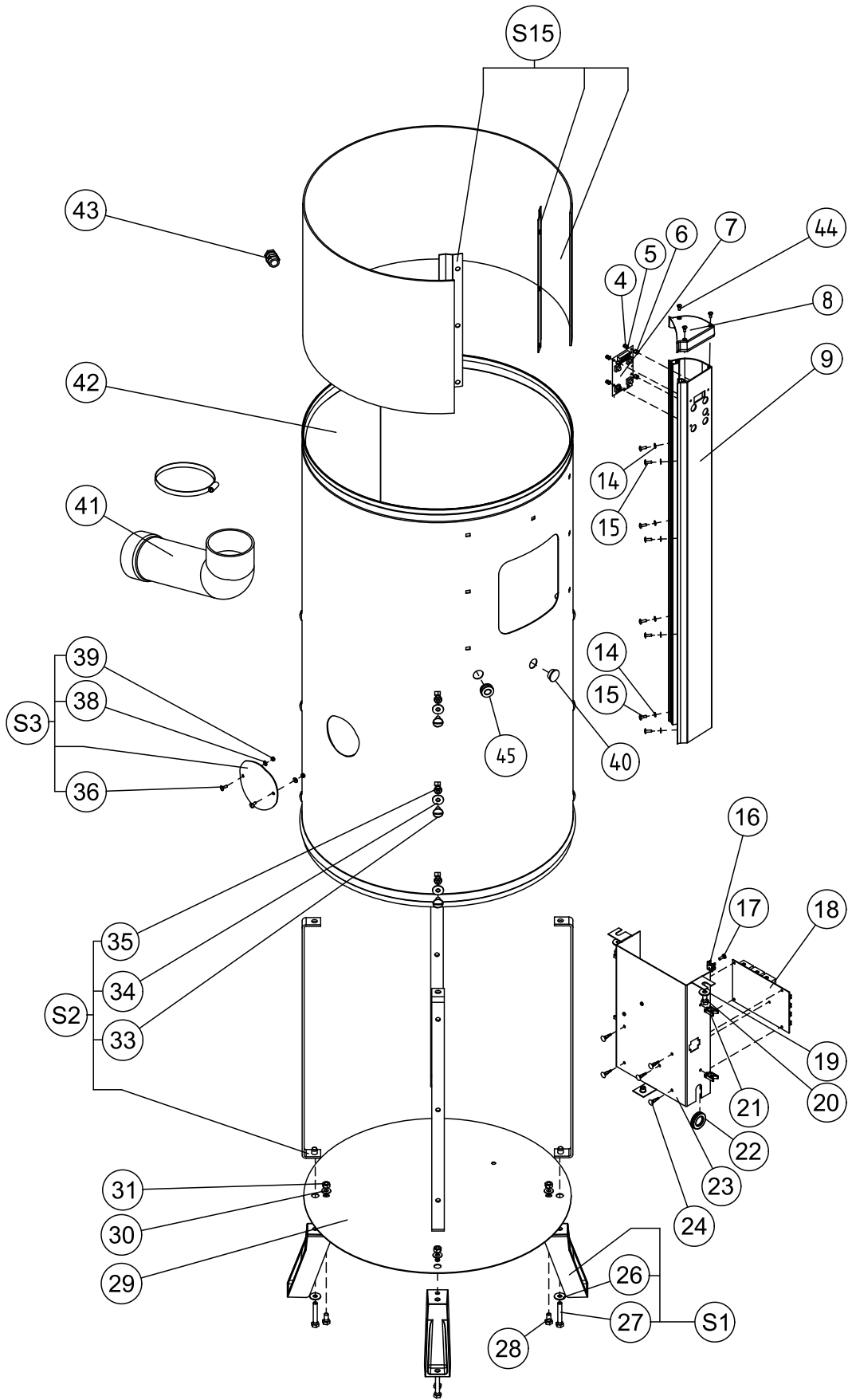
PNC	Model	Modules	Description	Note
602007	T25E	B;D	VEGETABLE PEELER - ABRASIVE PLATE - 25KG	
603649	T25E	A;D	VEGETABLE PEELER - ABRASIVE PLATE - 25KG	
602010	T25E	B;C	VEGETABLE PEELER - ABRASIVE PLATE - 25KG	

T25E**Modules classifications**

A	DITO SAMA
B	ELECTROLUX PROFESSIONAL
C	220-240V 50HZ
D	220-240/380-415V 50HZ

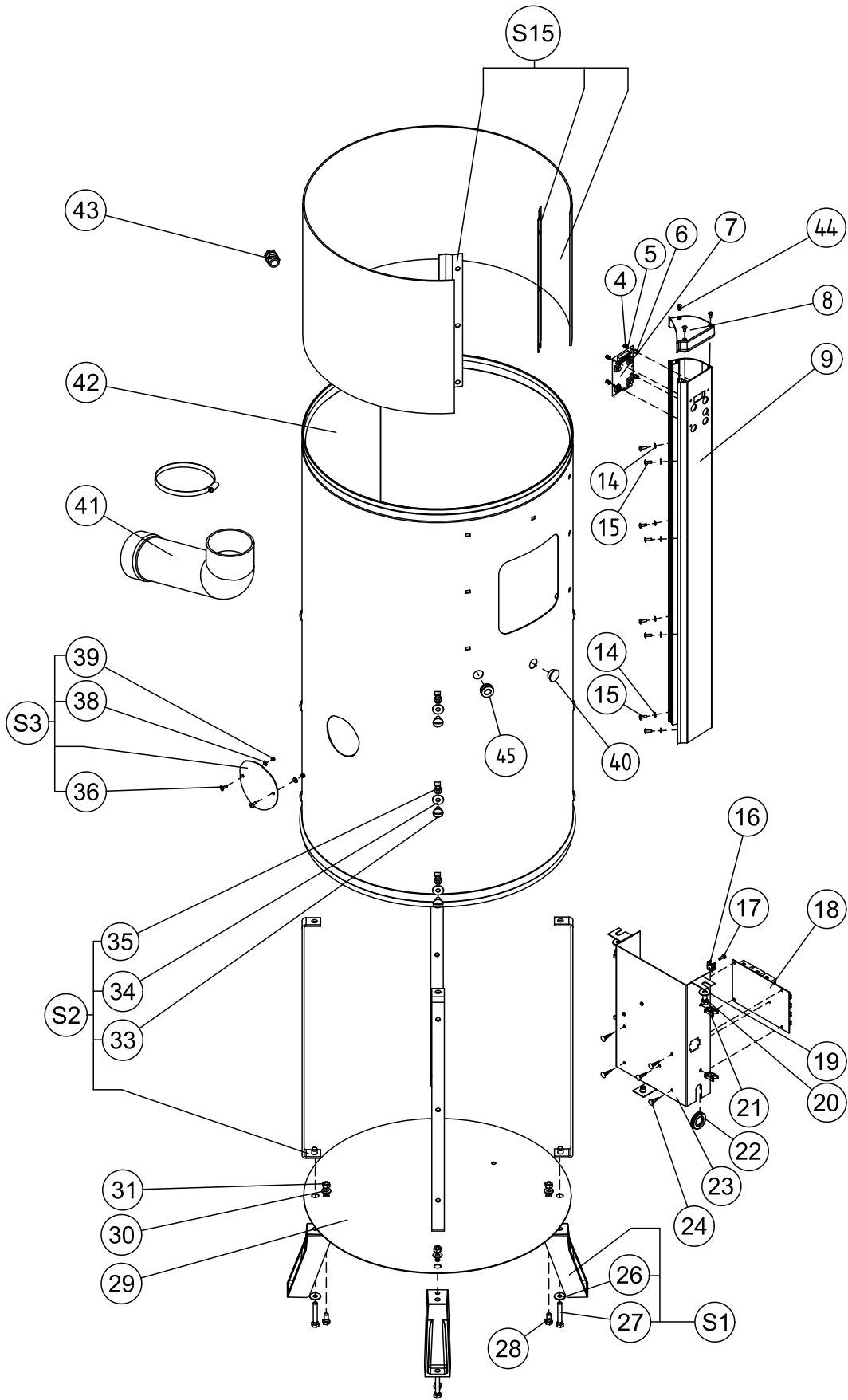
Pag.	Index
4	Exploded view - Casing sub
5	Parts list - Casing sub
8	Exploded view - Door
9	Parts list - Door
10	Exploded view - Mechanism
11	Parts list - Mechanism
12	Exploded view - Hopper
13	Parts list - Hopper
14	Exploded view - Motor
15	Parts list - Motor

T25E - Exploded view - Casing sub



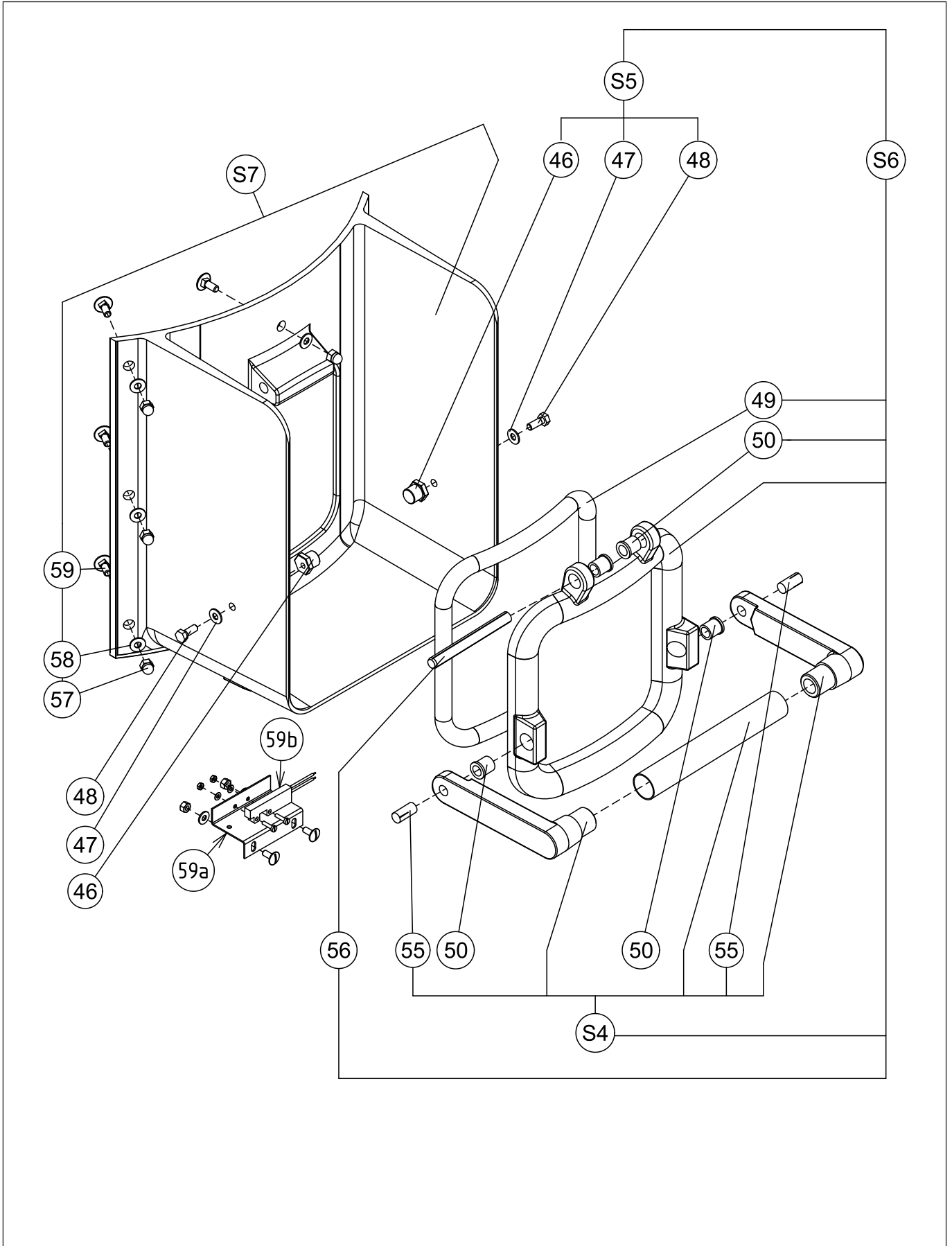
T25E - Parts list - Casing sub

Pos.	Code	Description	V	W&T	Ref.	Notes	S/N break
4	033987	Nut Hu M4 (set x 10)					
5	0D5188	Washer PE M3 (set x 10)					
6	0D5190	Spacer (set x 10)					
7	OD5299	Timer card assembly	X				
8	0D5852	Safety cover support					
9	0D5333	Control support rail assembly					
14	0D5137	Washer PE M4 (set x 10)					
15	0D0532	Screw RL M4x12 (set x 10)					
16	0D3567	Gearing (set x 5)					
17	0D6724	Screw Cx M4x10 (set x 10)					
18	0D3525	Single phase 230v 50hz	X		C		
18	0D3524	Three phase board 230-400/50-60	X		D		
19	0D2739	Washer CS L8 stainless steel (set x 10)					
20	0D0498	Screw H M8x16 stainless steel (set x 10)					
21	0D5195	Fixing clip (set x 10)					
22	0D3031	Grommet					
23	0D5926	Component support					
24	0D2848	Fixing spacer					
26	0D2739	Washer CS L8 stainless steel (set x 10)					
27	0D2329	Screw H M8x30 (set x 10)					
28	0D0498	Screw H M8x16 stainless steel (set x 10)					
29	0D2607	Base plate					
30	0D0632	Washer CS M8 stainless steel (set x 10)					
31	0D0641	Locking nut M8 set x10					
33	0D0517	Screw RL M8x16 stainless steel (set x 10)					
34	0D2739	Washer CS L8 stainless steel (set x 10)					
35	0D0642	Nut HU M8 set x10					
36	0D0532	Screw RL M4x12 (set x 10)					
38	0D2284	Washer CS M4 (set x 10)					
39	OKL159	Nut Hu M4 stainless steel (set x 10)					
40	0D0892	Plug (set x 4)					
41	0U0406	Connecting hose + collar					
42	0D7911	Shell assembly					
43	0D2073	Stuffing box					

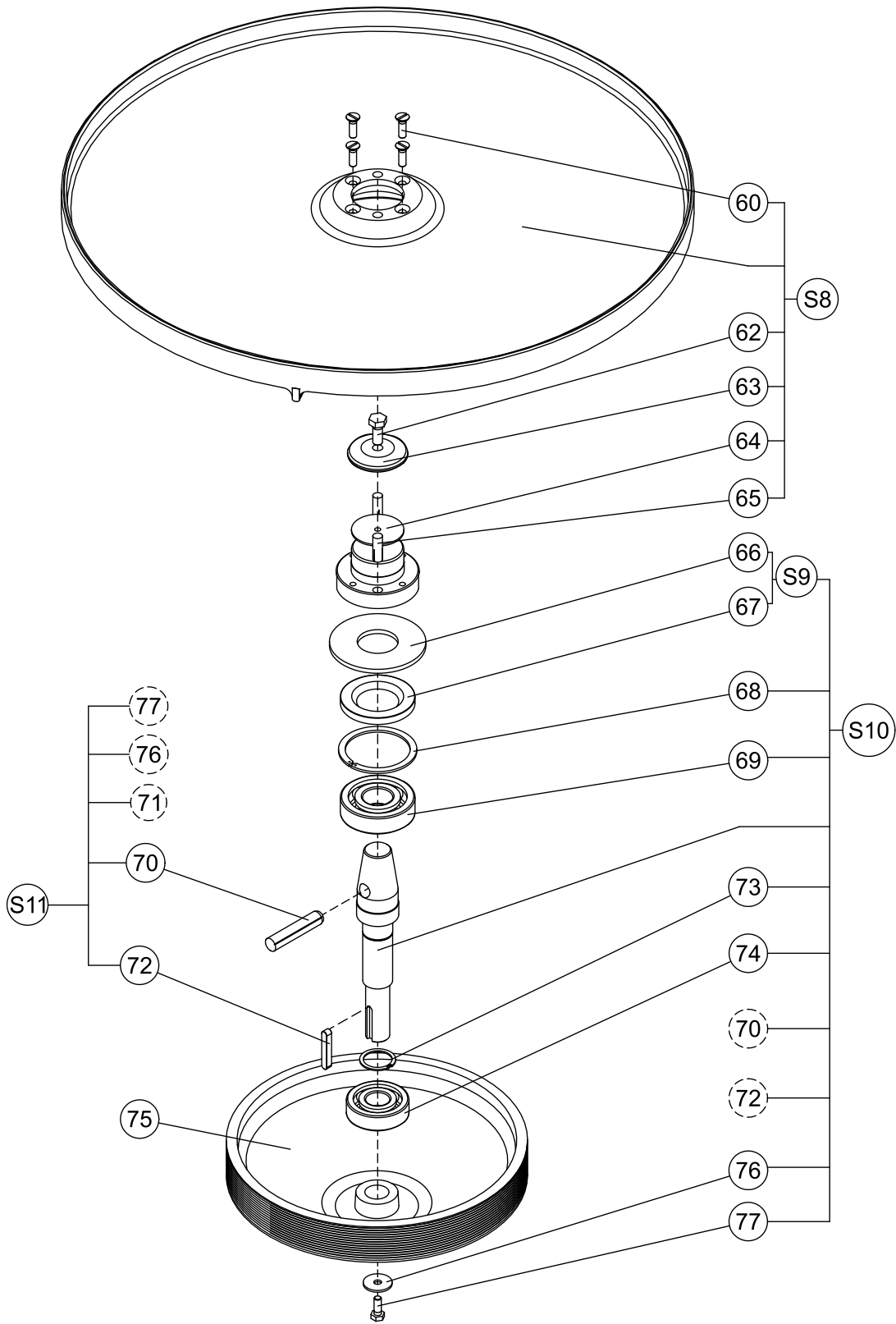


Pos.	Code	Description	V	W&T	Ref.	Notes	S/N break
44	0D3335	Screw PT WN K40/12 (set x 10)					
45	0D3031	Grommet 21x21x2 (set x 10)					
S1	0D0890	Foot assembly					
S2	0U0713	Pin assembly					
S3	0D2608	Blanking assembly					
S15	0KL089	Abrasive strip assembly		X			

T25E - Exploded view - Door

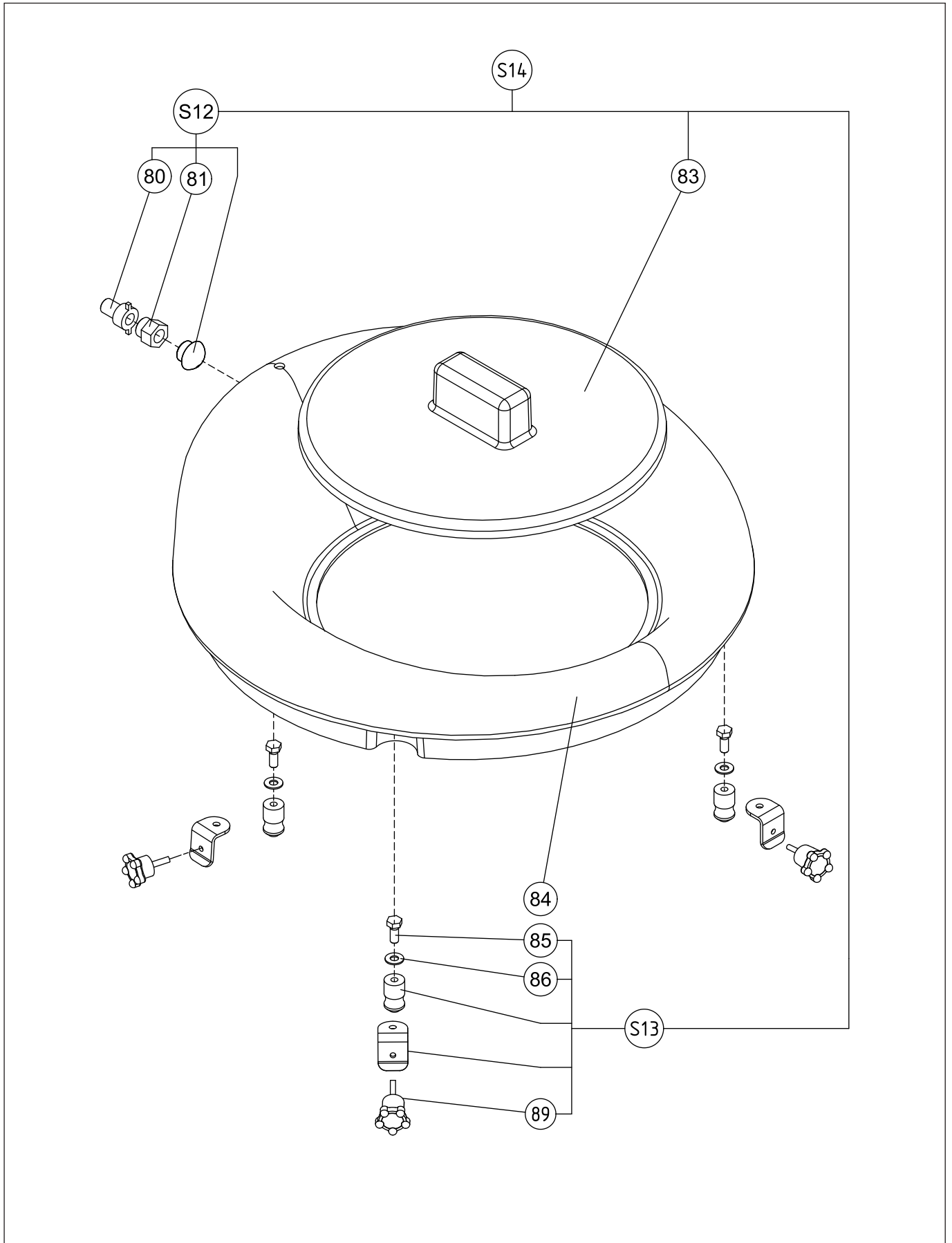


Pos.	Code	Description	V	W&T	Ref.	Notes	S/N break
46	0D1605	Locking pin (set x 2)					
47	0D0624	Washer CS M6 stainless steel (set x 10)					
48	0D0499	Screw H M6x16 stainless steel (set x 10)					
49	0HD027	Door seal	X				
50	0KJ010	Ring	X				
55	0U0656	Pin 10x25 (set x 5)					
56	0D1664	Pin 10x100 (set x 2)					
57	0D0583	Cap nut M6 (set x 10)					
58	0D0624	Washer CS M6 stainless steel (set x 10)					
59	0D2741	Screw RCC M6X16 (set x 10)					
59a	0U0666	Screw RL stainless steel (set x 10)					
59a	0D1762	Detector support					
59a	0D2297	Washer steel (set x 10)					
59a	0D0579	Nut Hu M5 stainless steel (set x 10)					
59b	0KQ511	Screw C M3x16 stainless steel (set x 10)					
59b	0D2670	PLA detector assembly	X				
59b	033986	Rondelle M3 (set x 10)					
59b	033987	Nut Hu M3 stainless steel (set x 10)					
S4	0D0894	Handle					
S5	0D0895	Pin assemblies					
S6	0D0896	Door assembly					
S7	0D0893	Channel assembly					



T25E - Parts list - Mechanism

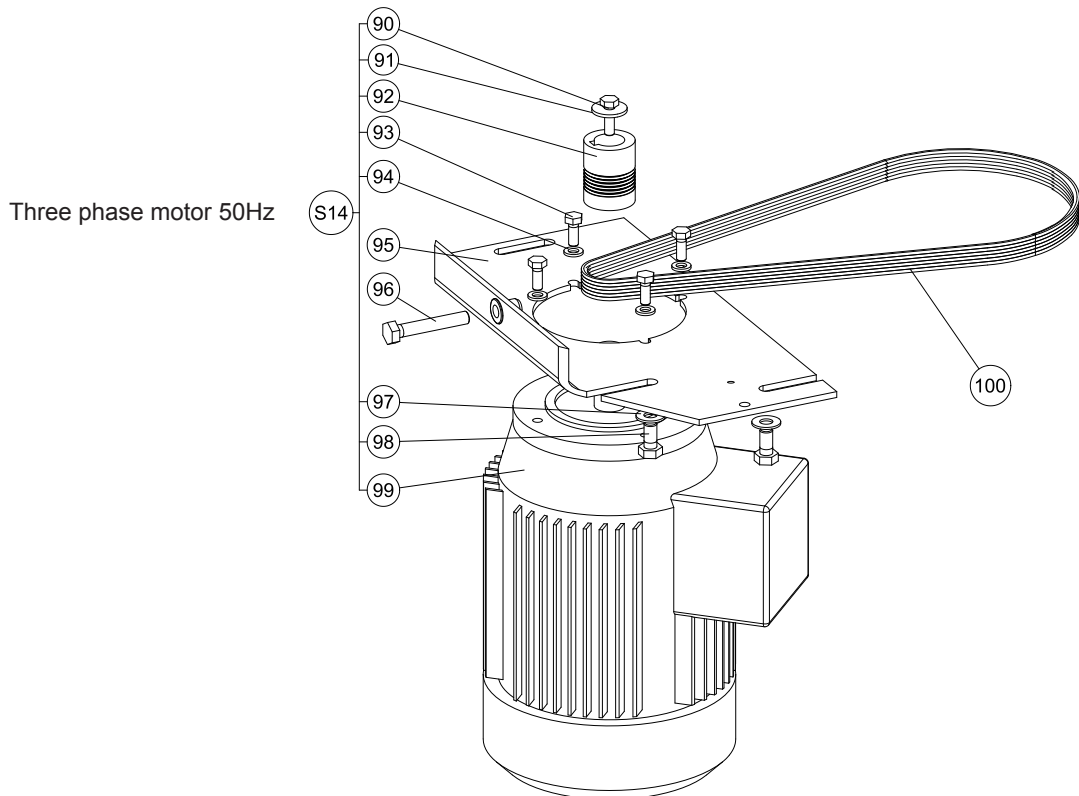
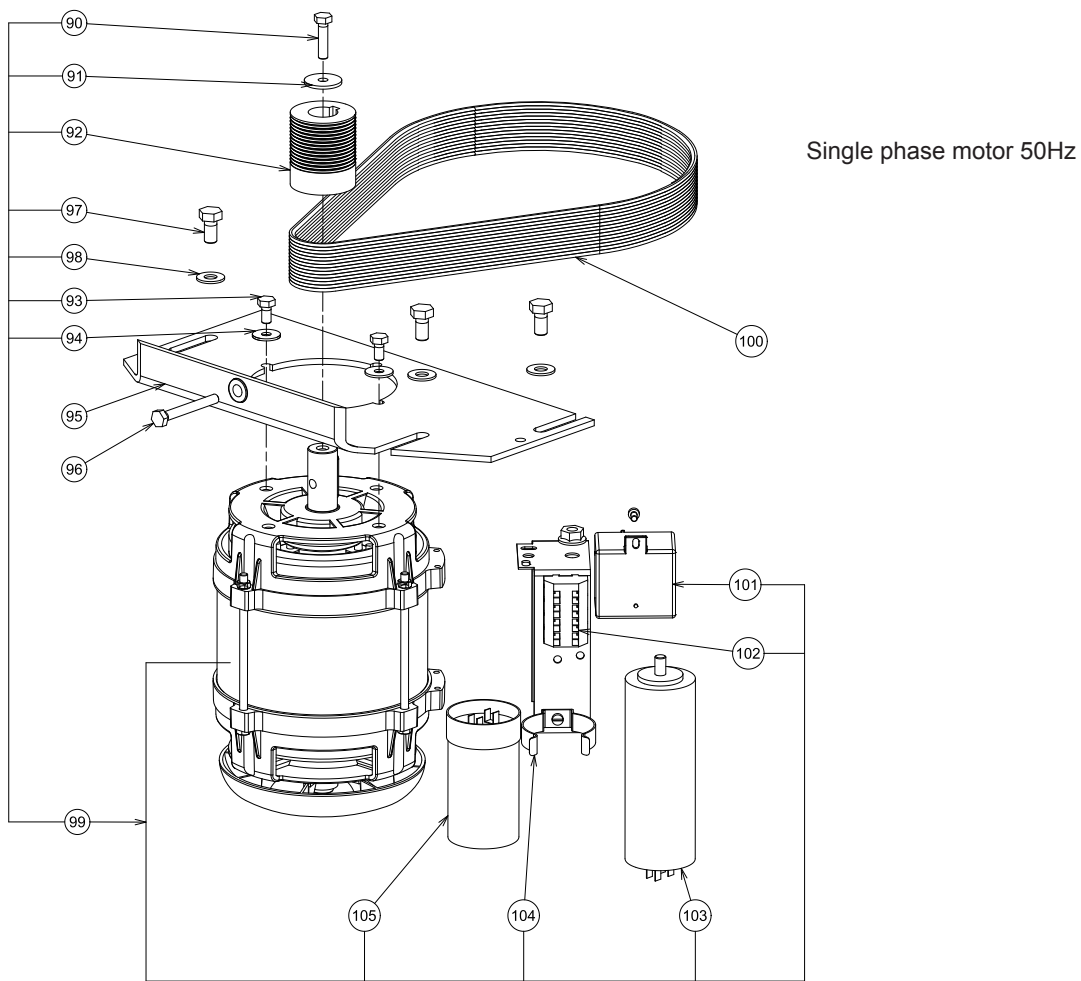
Pos.	Code	Description	V	W&T	Ref.	Notes	S/N break
60	0U0659	Screw F M6x20 (set x 4)					
62	0D0507	Screw H M8x20 (set x 10)					
63	0KQ664	Plate washer					
64	0D1674	Plate hub					
65	0KI995	Pin 8x26 (set x 10)					
66	0D3560	Washer (set x 5)					
67	0D3533	Sealing ring (set x 5)	X				
68	0U0717	Circlip 62I (set x 10)					
69	0KJ748	Bearing 6305 2RS					
70	0D0916	Pin 12x60 (set x 2)					
72	0D2915	Cotterpin 6x6x38 (set x 10)					
73	0KQ499	Circlip 25E (set x 10)					
74	0KQ393	Bearing 6304 2RS					
75	0HD017	Driven pulley 50Hz					
76	0D0627	Washer CL M6 (set x 10)					
77	0D0499	Screw H M6x16 stainless steel (set x 10)					
S8	653506	Abrasive plate		X			
S9	0U0718	Sealing kit	X				
S10	0U0719	Complete mechanism	X				
S11	0HD025	Shaft assembly	X				



T25E - Parts list - Hopper

Pos.	Code	Description	V	W&T	Ref.	Notes	S/N break
80	0D5615	Grooved end piece					
81	0D5613	Reducer					
83	0D5927	Lid					
84	0D0898	Hopper					
85	0D0507	Screw H M8x20 stainless steel (set x 10)					
86	0D0632	Washer CS M8 stainless steel (set x 10)					
88	voir s13	Leg of preservation					
89	0D1400	Handle					
S12	0D2606	Distributor					
S13	0D6716	Clipping pin assembly					
S14	0D0898	Hopper assembly					

T25E - Exploded view - Motor



Pos.	Code	Description	V	W&T	Ref.	Notes	S/N break
90	0KQ512	Screw H M6x20 (set x 10)					
91	0D0620	Washer 24x6.2x2 (set x 10)					
92	0D5928	Drive pulley 50Hz					
93	0D0499	Screw H M6x16 stainless steel (set x 10)			D		
93	0KQ494	Screw H M6x12 stainless steel (set x 10)			D		
94	0D2878	Washer CS L6 stainless steel (set x 10)					
95	0D5910	Motor support					
96	0D3488	Screw H M8x50 stainless steel (set x 10)					
97	0D2739	Washer CS L8 stainless steel (set x 10)					
98	0D0498	Screw H M8x16 stainless steel (set x 10)					
99	0U0681	Three phase motor	X		D		
99	0U0715	Single phase motor 230V 50HZ	X		C		
100	0KR268	Belt		X			
101	0D7436	Relay tension 230V 50HZ	X		C		
101	0D7401	Resistance	X		C		
102	0D5135	Terminal bar (set x 5)			C		
103	0D7559	45 mf running capacitor	X		C		
104	0D3491	Spring clip (set x 5)			C		
105	0H1034	Start capacitor 230V 50HZ	X		C		
S14	0D0891	Three phase motor 50Hz	X		D		

CE