

MIXER - B3000

PNC	MODEL	MODULES	DESCRIPTION	NOTE
600339	BPU350	A;C;G	MOTOR UNIT 350W	
600340	BPU350	A;D;G	MOTOR UNIT 350W	
600341	BPU450	A;C;H	MOTOR UNIT 450W	
600343	BPU550	A;C;I	MOTOR UNIT 550W	
600344	BPU550	A;D;I	MOTOR UNIT 550W	
600345	BPU650	A;C;J	MOTOR UNIT 650W	
600348	BPU750	A;C;K	MOTOR UNIT 750W	
600309	DBPU350	B;C;G	MOTOR UNIT 350W	
600310	DBPU450	B;C;H	MOTOR UNIT 450W	
600311	DBPU550	B;C;I	MOTOR UNIT 550W	
600312	DBPU650	B;C;J	MOTOR UNIT 650W	
600313	DBPU750	B;C;K	MOTOR UNIT 750W	
600355	BP3535	A;C;G;L	PORTABLE MIXER 350W - TOOL 353mm	
600314	DBP3535	B;C;G;L	PORTABLE MIXER 350W - TOOL 353mm	
600356	BP3535G	A;D;G;L	PORTABLE MIXER 350W - UK - TOOL 353mm	
600404	DBP3535G	B;D;G;L	PORTABLE MIXER 350W - UK - TOOL 353mm	
600363	BP3545	A;C;G;M	PORTABLE MIXER 350W - TOOL 453mm	
600320	DBP3545	B;C;G;M	PORTABLE MIXER 350W - TOOL 453mm	
602189	BP3545U	A;F;G;M	PORTABLE MIXER 350W - USA - TOOL 453mm	
602232	DBP3545U	B;F;G;M	PORTABLE MIXER 350W - USA - TOOL 453mm	
600357	BP4535	A;C;H;L	PORTABLE MIXER 450W - TOOL 353mm	
600392	DBP4535	B;C;H;L	PORTABLE MIXER 450W - TOOL 353mm	
600581	DBP4535A	B;E;H;L	PORTABLE MIXER 450W - AUS - TOOL 353mm	
600364	BP4545	A;C;H;M	PORTABLE MIXER 450W - TOOL 453mm	
600321	DBP4545	B;C;H;M	PORTABLE MIXER 450W - TOOL 453mm	
600366	BP4545G	A;D;H;M	PORTABLE MIXER 450W - UK - TOOL 453mm	
600405	DBP4545G	B;D;H;M	PORTABLE MIXER 450W - UK - TOOL 453mm	
600587	BP4545A	A;E;H;M	PORTABLE MIXER 450W - AUS - TOOL 453mm	
602208	DBP4545A	B;E;H;M	PORTABLE MIXER 450W - AUS - TOOL 453mm	
602190	BP4545U	A;F;H;M	PORTABLE MIXER 450W - USA - TOOL 453mm	
602233	DBP4545U	B;F;H;M	PORTABLE MIXER 450W - USA - TOOL 453mm	
600374	BP4555	A;C;H;N	PORTABLE MIXER 450W - TOOL 553mm	
600329	DBP4555	B;C;H;N	PORTABLE MIXER 450W - TOOL 553mm	
602191	BP4555U	A;F;H;N	PORTABLE MIXER 450W - USA - TOOL 553mm	
602234	DBP4555U	B;F;H;N	PORTABLE MIXER 450W - USA - TOOL 553mm	
600367	BP5545	A;C;I;M	PORTABLE MIXER 550W - TOOL 453mm	
600322	DBP5545	B;C;I;M	PORTABLE MIXER 550W - TOOL 453mm	
600406	DBP5545G	B;D;I;M	PORTABLE MIXER 550W - UK - TOOL 453mm	

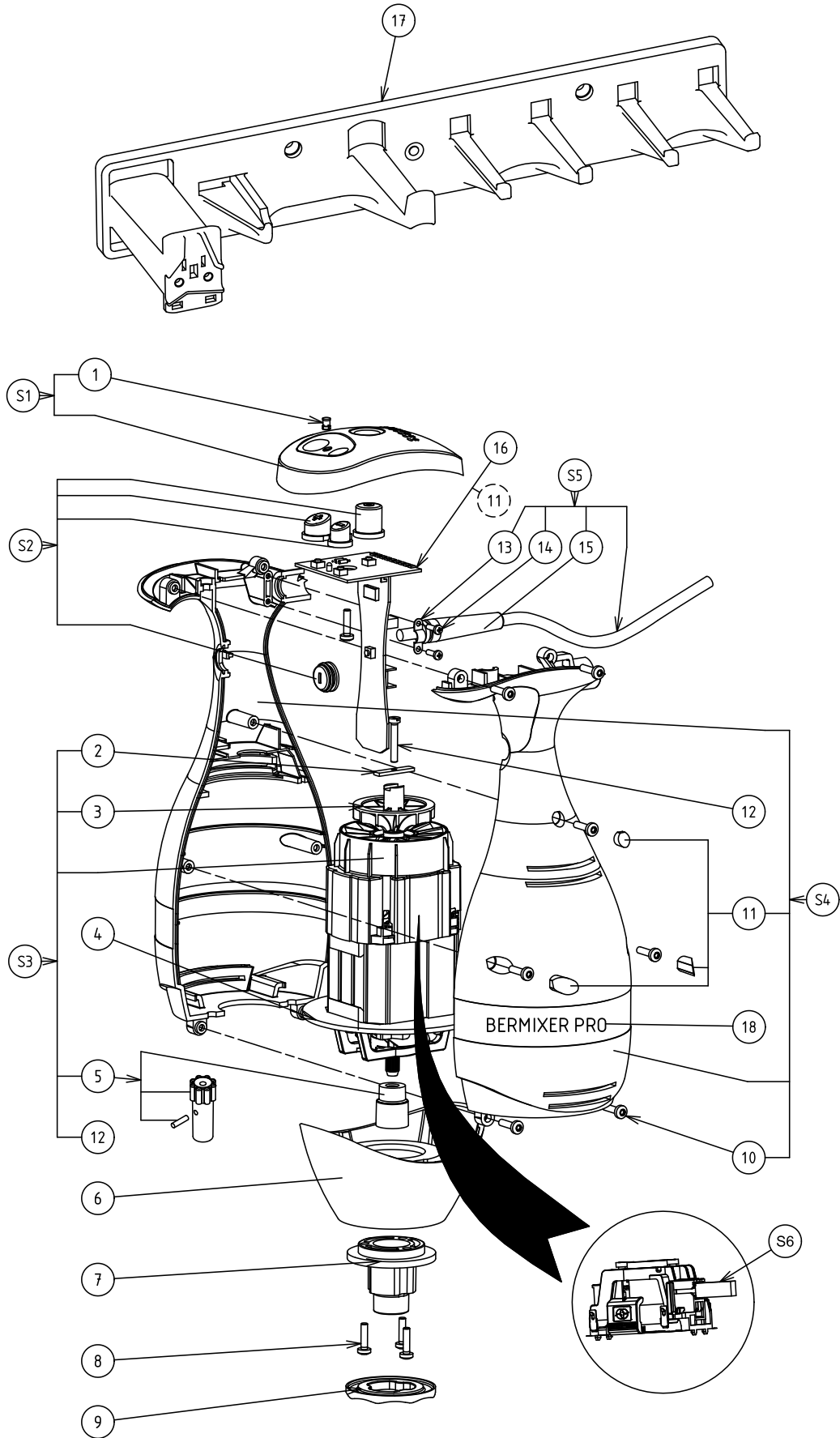
MIXER - B3000

PNC	MODEL	MODULES	DESCRIPTION	NOTE
600582	DBP5545A	B;E;I;M	PORTABLE MIXER 550W - AUS - TOOL 453mm	
600375	BP5555	A;C;I;N	PORTABLE MIXER 550W - TOOL 553mm	
600330	DBP5555	B;C;I;N	PORTABLE MIXER 550W - TOOL 553mm	
600376	BP5555G	A;D;I;N	PORTABLE MIXER 550W - UK - TOOL 553mm	
600407	DBP5555G	B;D;i;N	PORTABLE MIXER 550W - UK - TOOL 553mm	
600368	BP6545	A;C;J;M	PORTABLE MIXER 650W - TOOL 453mm	
600324	DBP6545	B;C;J;M	PORTABLE MIXER 650W - TOOL 453mm	
600588	BP6545A	A;E;J;M	PORTABLE MIXER 650W - AUS - TOOL 453mm	
600377	BP6555	A;C;J;N	PORTABLE MIXER 650W - TOOL 553mm	
600331	DBP6555	B;C;J;N	PORTABLE MIXER 650W - TOOL 553mm	
602192	BP6555U	A;F;J;N	PORTABLE MIXER 650W - USA - TOOL 553mm	
602235	DBP6555U	B;F;J;N	PORTABLE MIXER 650W - USA - TOOL 553mm	
600589	BP6555A	A;E;J;N	PORTABLE MIXER 650W - AUS - TOOL 553mm	
600384	BP6565	A;C;J;O	PORTABLE MIXER 650W - TOOL 653mm	
600336	DBP6565	B;C;J;O	PORTABLE MIXER 650W - TOOL 653mm	
600386	BP6565G	A;D;J;O	PORTABLE MIXER 650W - UK - TOOL 653mm	
600408	DBP6565G	B;D;J;O	PORTABLE MIXER 650W - UK - TOOL 653mm	
602193	BP6565U	A;F;J;O	PORTABLE MIXER 650W - USA - TOOL 653mm	
602237	DBP6565U	B;F;J;O	PORTABLE MIXER 650W - USA - TOOL 653mm	
600590	BP6565A	A;E;J;O	PORTABLE MIXER 650W - AUS - TOOL 653mm	
602209	DBP6353A	B;E;J;L	PORTABLE MIXER 650W - AUS - TOOL 353mm	
602210	DBP7353A	B;E;K;L	PORTABLE MIXER 750W - AUS - TOOL 353mm	
600380	BP7555	A;C;K;N	PORTABLE MIXER 750W - TOOL 553mm	
600332	DBP7555	B;C;K;N	PORTABLE MIXER 750W - TOOL 553mm	
600583	DBP7555A	B;E;K;N	PORTABLE MIXER 750W - AUS - TOOL 553mm	
602194	BP7555U	A;F;K;N	PORTABLE MIXER 750W - USA - TOOL 553mm	
602236	DBP7555U	B;F;K;N	PORTABLE MIXER 750W - USA - TOOL 553mm	
600388	BP7565	A;C;K;O	PORTABLE MIXER 750W - TOOL 653mm	
600337	DBP7565	B;C;K;O	PORTABLE MIXER 750W - TOOL 653mm	
600409	DBP7565G	B;D;K;O	PORTABLE MIXER 750W - UK - TOOL 653mm	
602195	BP7565U	A;F;K;O	PORTABLE MIXER 750W - USA - TOOL 653mm	
602238	DBP7565U	B;F;K;O	PORTABLE MIXER 750W - USA - TOOL 653mm	
602261	DBP7565A	B;E;K;O	PORTABLE MIXER 750W - AUS - TOOL 653mm	
602328	DBMAU450	A;E;H	MOTOR UNIT 450W - AUS	
602329	DBMAU550	A;E;I	MOTOR UNIT 550W - AUS	
602330	DBMAU650	A;E;J	MOTOR UNIT 650W - AUS	
602331	DBMAU750	A;E;L	MOTOR UNIT 750W - AUS	

MIXER - B3000**Modules classifications**

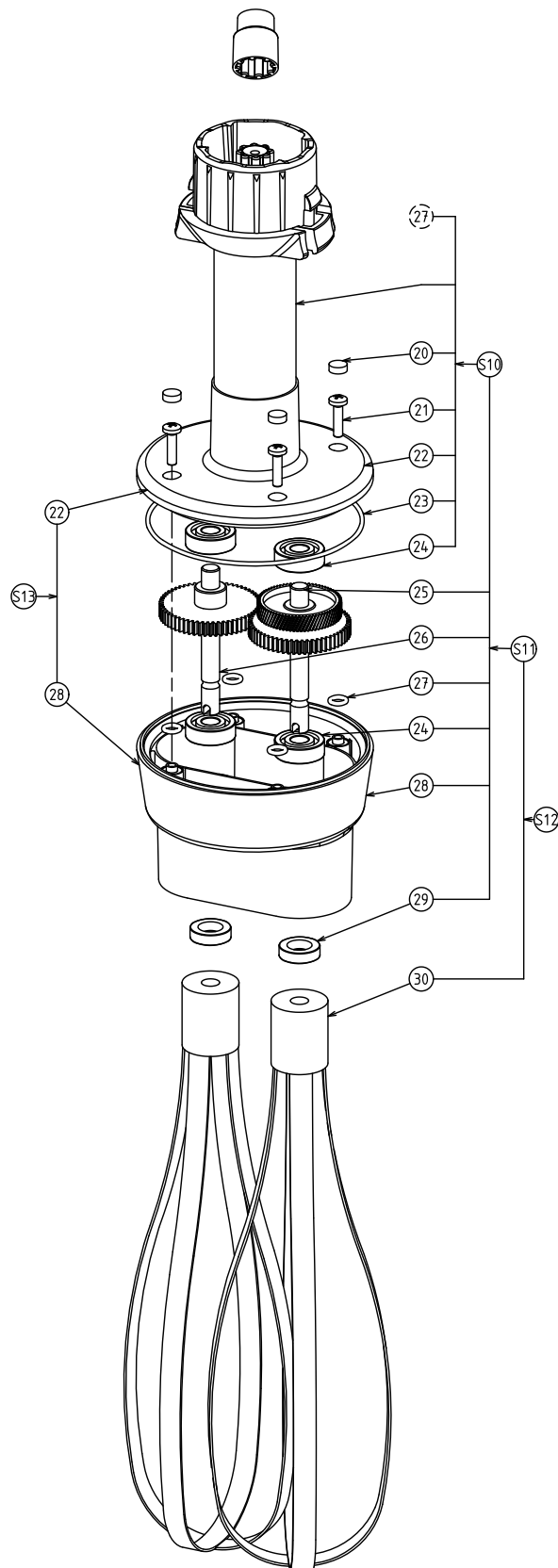
A	ELECTROLUX PROFESSIONAL
B	DITO SAMA
C	200/240-50/60 STANDARD
D	200/240-50/60 UK
E	200/240-50/60 AUSTRALIA
F	100/120-50/60 USA
G	350W
H	450W
I	550W
J	650W
K	750W
L	TOOL 353mm
M	TOOL 453mm
N	TOOL 553mm
O	TOOL 653mm
P	WHISK

Pag.	Index
4	Body / Motor / Variator
7	Whisk
9	Mixer tube

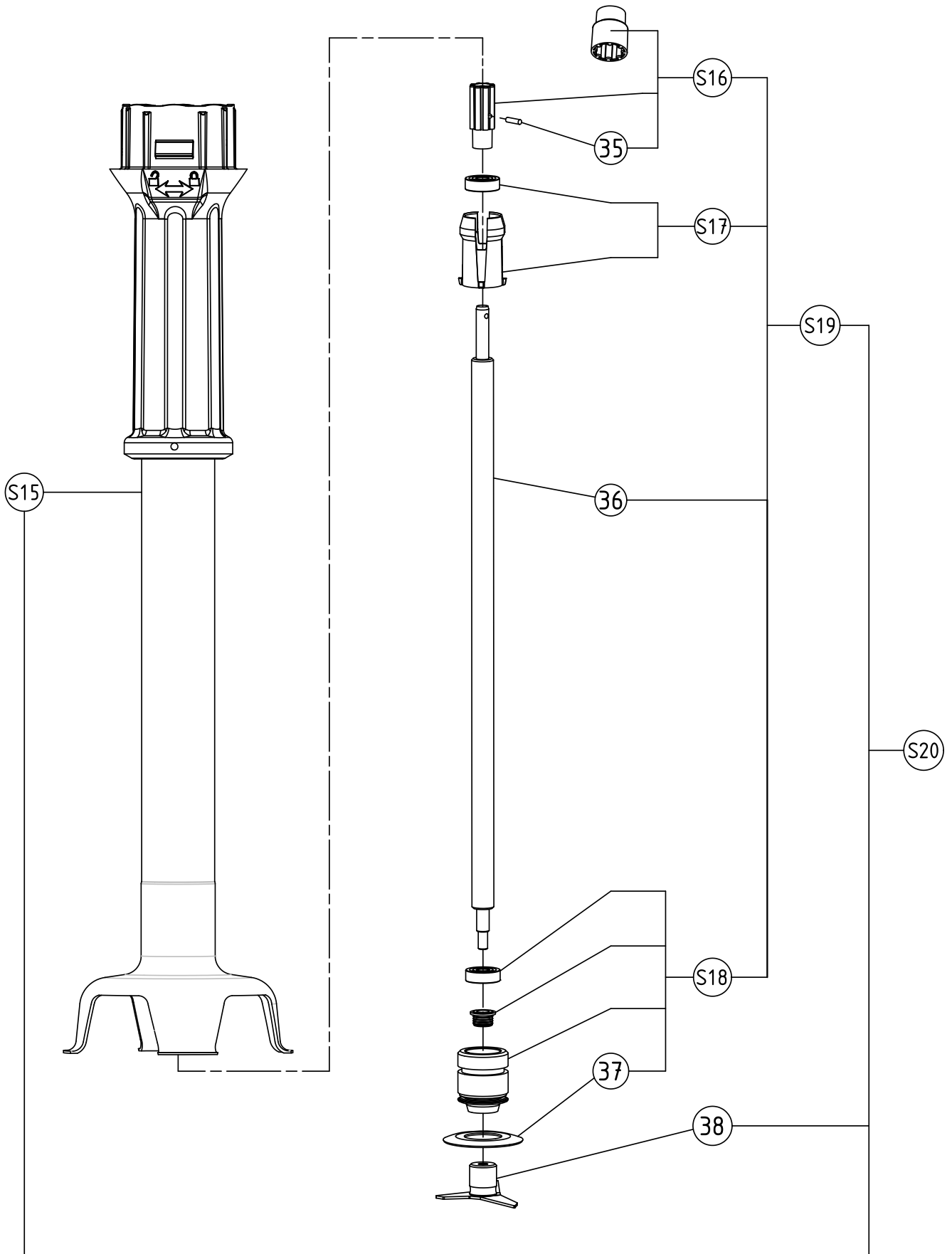


Pos	Code	Description	V	W&T	Modules	Notes	Ser. Nr. break
1	0D5225	Stopper (set x 10)					
2	0D5228	Encoder wheel					
3	0D5229	Fan					
4	0D5230	Partition					
5	0D5220	Female accoupling (set)		X			
6	0D7786	Flasque					
7	0D5232	Flange					
8	0D5233	Screw Torx M4x16 (set x 10)					
9	0D5234	Corrugated mat					
10	0D5235	Screw PT Torx (set x 10)					
11	0D5237	Set of plugs					
12	0D5238	Screw TC M3x25 (set x 10)					
13	0D5239	Cable flange (set x 5)					
14	0D2918	Screw PT WN 1442 (set x 10)					
15	0D5240	Grommet (set x 5)					
16	0D7775	Variator 350w 115v	X		F;G		
16	0D5783	Variator 350w 230v	X		C;D;E;G		
16	0D7776	Variator 450w 115v	X		F;H		
16	0D5786	Variator 450w 230v	X		C;D;E;H		
16	0D7777	Variator 550w 115v	X		F;I		
16	0D5789	Variator 550w 230v	X		C;D;E;I		
16	0D7778	Variator 650w 115v	X		F;J		
16	0D5792	Variator 650w 230v	X		C;D;E;J		
16	0D7779	Variator 750w 115v	X		F;K		
16	0D7365	Variator 750w 230v	X		C;D;E;K		
17	0D6297	Wall bracket					
18	0D7413	Label 350W			A;G		
18	0DF117	Label 350W			B;G		
18	0DF122	Label 350W			A;F;G		
18	0D7414	Label 450W			A;H		
18	0DF118	Label 450W			B;H		
18	0DF123	Label 450W			A;F;H		
18	0D7415	Label 550W			A;I		
18	0DF119	Label 550W			B;I		
18	0D7183	Label 650W			A;J		
18	0DF120	Label 650W			B;J		
18	0DF124	Label 650W			A;F;J;		
18	0D7904	Label 750W			A;K		
18	0DF121	Label 750W			B;K		

Pos	Code	Description	V	W&T	Modules	Notes	Ser. Nr. break
S1	0D5226	Upper cover assembly	X				
S2	0D5241	Set of control buttons		X			
S3	0D5243	Motor assembly 350W 230V	X		C;D;E;G		
S3	0D5244	Motor assembly 450W 230V	X		C;D;E;H		
S3	0D5245	Motor assembly 550W 230V	X		C;D;E;I		
S3	0D5246	Motor assembly 650W 230V	X		C;D;E;J		
S3	0D7368	Motor assembly 750W 230V	X		C;D;E;K		
S3	0D5247	Motor assembly 350W 115V	X		F;G		
S3	0D5248	Motor assembly 450W 115V	X		F;H		
S3	0D5825	Motor assembly 550W 115V	X		F;I		
S3	0D5826	Motor assembly 650W 115V	X		F;J		
S3	0D7369	Motor assembly 750W 115V	X		F;K		
S4	0D5242	Blue set of casing	X		A;		
S4	0D7185	Grey set of casing	X		B;		
S5	0D0725	Standard power cable	X		C;		
S5	0D0734	US power cable	X		F;		
S5	0D1593	UK power cable	X		D;		
S5	0D7484	AUS power cable	X		E;		
S6	0D6612	Driving coal (set x 2)		X			



Pos	Code	Description	V	W&T	Modules	Notes	Ser. Nr. break
20	0D0391	Straight plug (set x 10)			P		
21	0D1009	Screw PT WN K40/16 (set x 10)			P		
22	0D5219	Upper casing	X		P		
23	0D3447	O-ring 85x2 (set x 5)		X	P		
24	0KQ560	Bearing 608h (set x 5)		X	P		
25	0D3235	Double pinion on shaft			P		
26	0D3236	Single pinion on shaft			P		
27	0D3231	O-ring 3.4x1.9 (set x 10)			P		
28	0D3964	Lower casing	X		P		
29	0KQ574	Seal msa 18x8x5 (set x 10)	X		P		
30	0D1098	Reinforced whisk			P		
S10	0D8031	Upper casing assembly	X		P		
S10	0D7057	Upper casing assembly	X		F;P		
S11	0D8032	Complete box	X		P		
S11	0D7058	Complete box	X		F;P		
S12	650108	Reinforced whisk equipment	X		P		
S12	653578	Reinforced whisk equipment	X		F;P		
S13	0D3237	Set of round casings	X		P		



Pos	Code	Description	V	W&T	Modules	Notes	Ser. Nr. break
35	0KQ479	Pin GO1 3x16 (set x 10)	X				
36	0D1577	Shaft alone size 30	X		L;		
36	0D0285	Shaft alone size 40	X		M;		
36	0D0978	Shaft alone size 50	X		N;		
36	0D2502	Shaft alone size 60	X		O;		
37	0D7780	Sealing washer		X			
38	0U0238	Blade		X			
S15	0D7782	Mixer tube assembly size 30	X		L;		
S15	0D7783	Mixer tube assembly size 40	X		M;		
S15	0D7784	Mixer tube assembly size 50	X		N;		
S15	0D7785	Mixer tube assembly size 60	X		O;		
S16	0D5220	Coupling		X			
S17	0D5259	Bearing clip assembly		X			
S18	0D5260	Lower bearing assembly		X			
S19	0D5261	Shaft assembly size 30	X		L;		
S19	0D5262	Shaft assembly size 40	X		M;		
S19	0D5263	Shaft assembly size 50	X		N;		
S19	0D5264	Shaft assembly size 60	X		O;		
S20	650132	Equipemnt for mixer size 30	X		L;		
S20	650133	Equipemnt for mixer size 40	X		M;		
S20	650134	Equipemnt for mixer size 50	X		N;		
S20	650135	Equipemnt for mixer size 60	X		O;		

