

**EL40**

---

<b>PNC</b>	<b>Model</b>	<b>Modules</b>	<b>Description</b>	<b>Note</b>
<b>601837</b>	EL40	<b>B;C</b>	VEGETABLE DRYER - PLASTIC BASKET - 220-240V 50/60HZ	
<b>603354</b>	EL40	<b>A;C</b>	VEGETABLE DRYER - PLASTIC BASKET - 220-240V 50/60HZ	

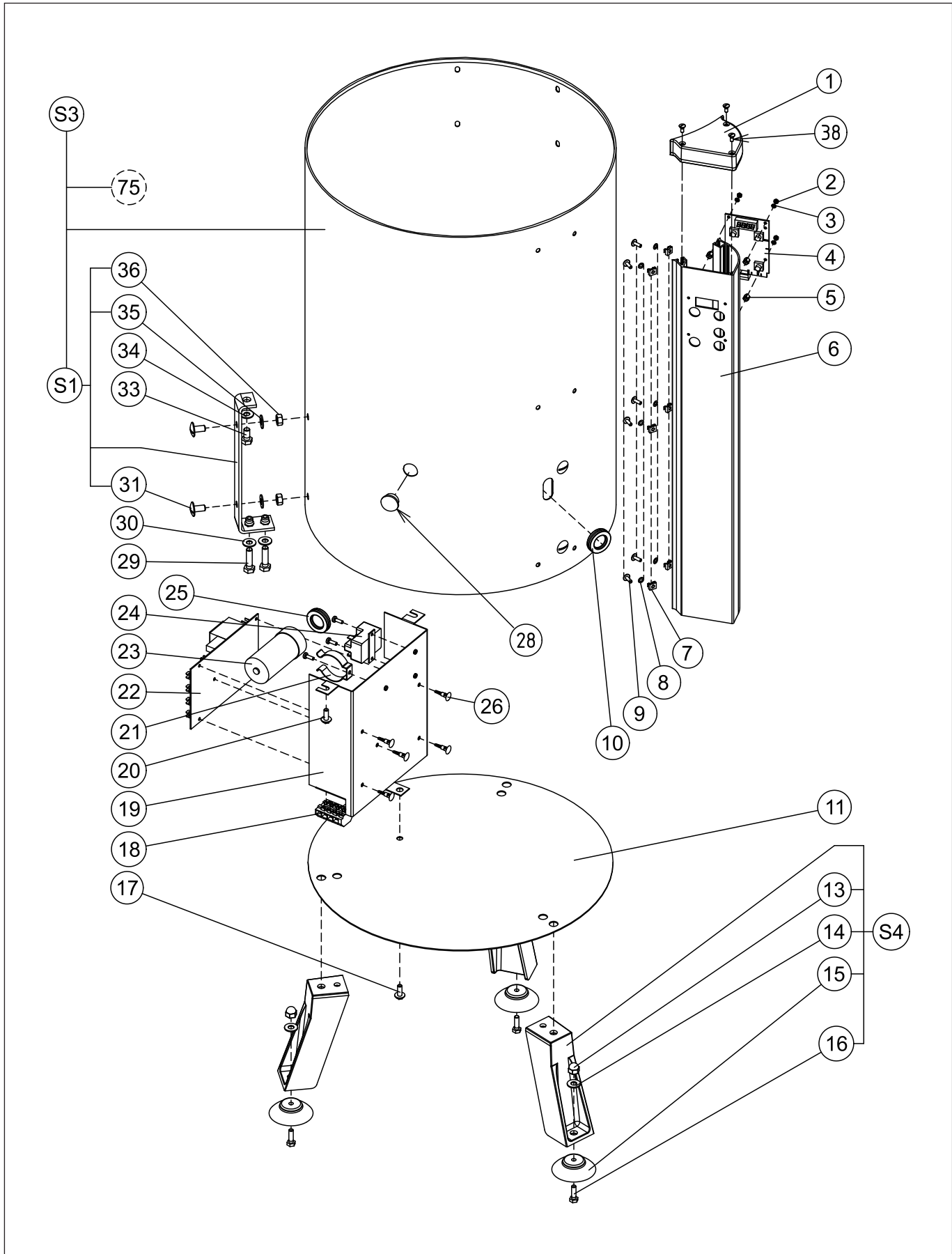


**EL40****Modules classifications**

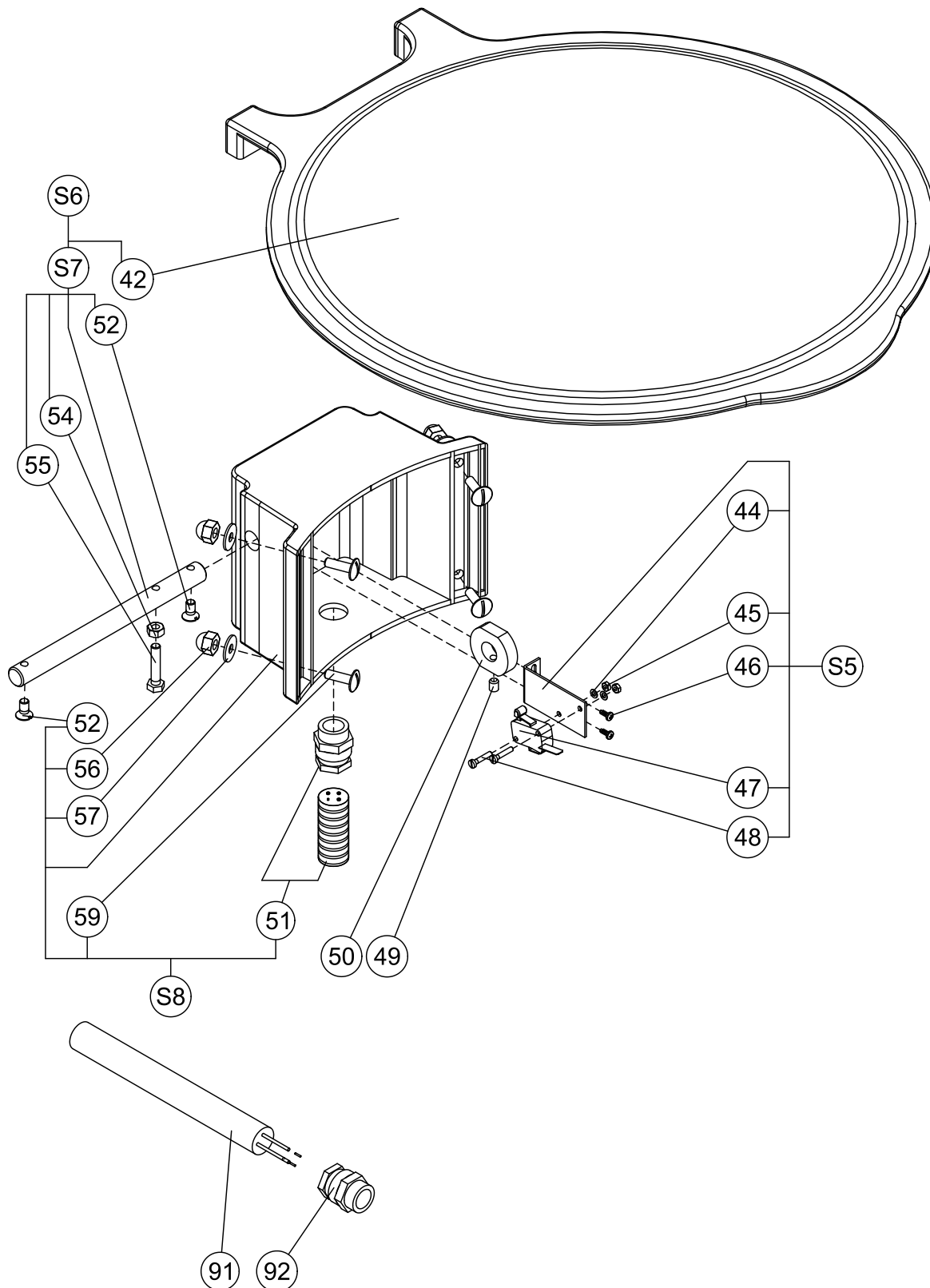
<b>A</b>	DITO SAMA
<b>B</b>	ELECTROLUX PROFESSIONAL
<b>C</b>	220-240 50/60HZ

<b>Pag.</b>	<b>Index</b>
4	Exploded view - Structure
5	Parts list - Structure
6	Exploded view - Casing
7	Parts list - Casing
8	Exploded view - Mechanism
9	Parts list - Mechanism
10	Exploded view - Motor
11	Parts list - Motor

EL40 - Exploded view - Structure

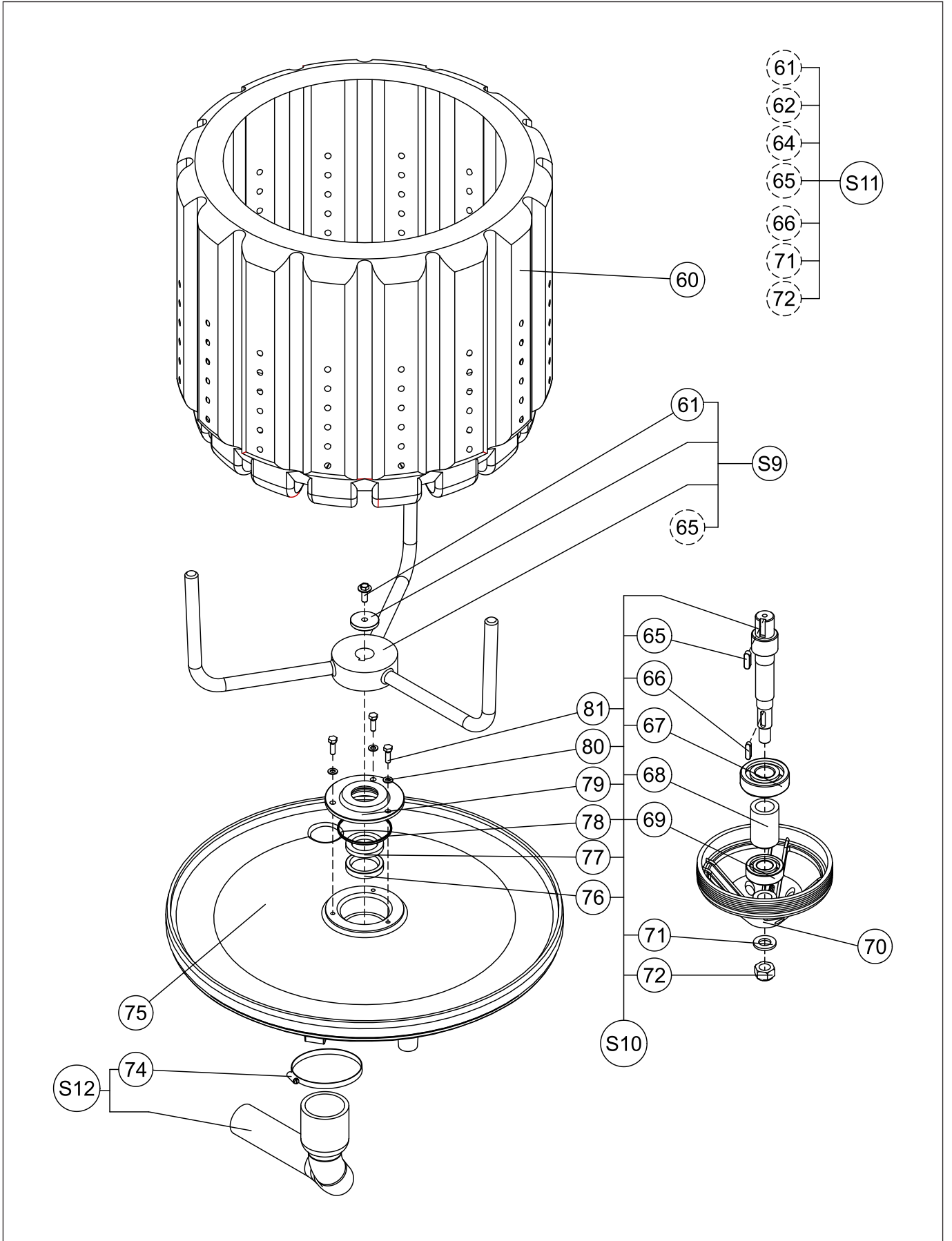


Pos.	Code	Description	V	W&T	Ref.	Notes	S/N break
1	0D5852	Safety cover support					
2	033987	Nut M3 (set x 10)					
3	0D5188	Washer PE M3 (set x 10)					
4	0D5189	Auto Timer card assembly	X				
5	0D5190	Spacer (set x 10)					
6	0D5208	Control support rail assembly					
7	0D1021	Nut M4 (set x 10)					
8	0D5137	Washer PE M4 (set x 10)					
9	0D0532	Screw TRL M4x12 (set x 10)					
10	0D3031	Grommet					
11	0D2629	Base plate					
13	OKL161	Cap nut M8 (set x 10)					
14	0D0632	Washer CS M8 (set x 10)					
15	0D0354	Suction cup (set x 5)					
16	0D0507	Screw TH M8x20 (set x 10)					
17	0D2901	Screw TH M6x16 (set x 10)					
18	0D5135	Terminal block					
19	0D5923	Component support					
20	0D6786	Screw TH M6x12 (set x 10)					
21	0D3491	Yoke (set x 5)					
21	0D2851	Screw TCX M4x12 (set x 10)					
22	OKQ429	Single phase card /115-230/50-60	X				
23	0U0471	Capacitor 90MF/ 230V	X				
24	0D3329	Klixon relay 4CR2-692 /230V	X				
24	0D6724	Screw TC M4 x 10 (set x 10)					
25	0D3031	Grommet					
26	0D2848	Fixing spacer (set x 10)					
28	0U0298	Plug					
29	0D2329	Screw TH M8x30 (set x 10)					
30	0D0632	Washer CS M8 (set x 10)					
31	0D0517	Screw TRL M8x16 (set x 10)					
33	0D0498	Screw TH M8x16 (set x 10)					
34	0D0632	Washer CS M8 (set x 10)					
35	0D0632	Washer CS M8 (set x 10)					
36	0D0642	Nut M8 (set x 10)					
38	0D3335	ScrewPT WN k40/12 (set x 10)					
S1	0D2635	Rod assembly (set x 3)					
S3	0D1690	Shell + partition assembly					
S4	0D1654	Leg assembly					



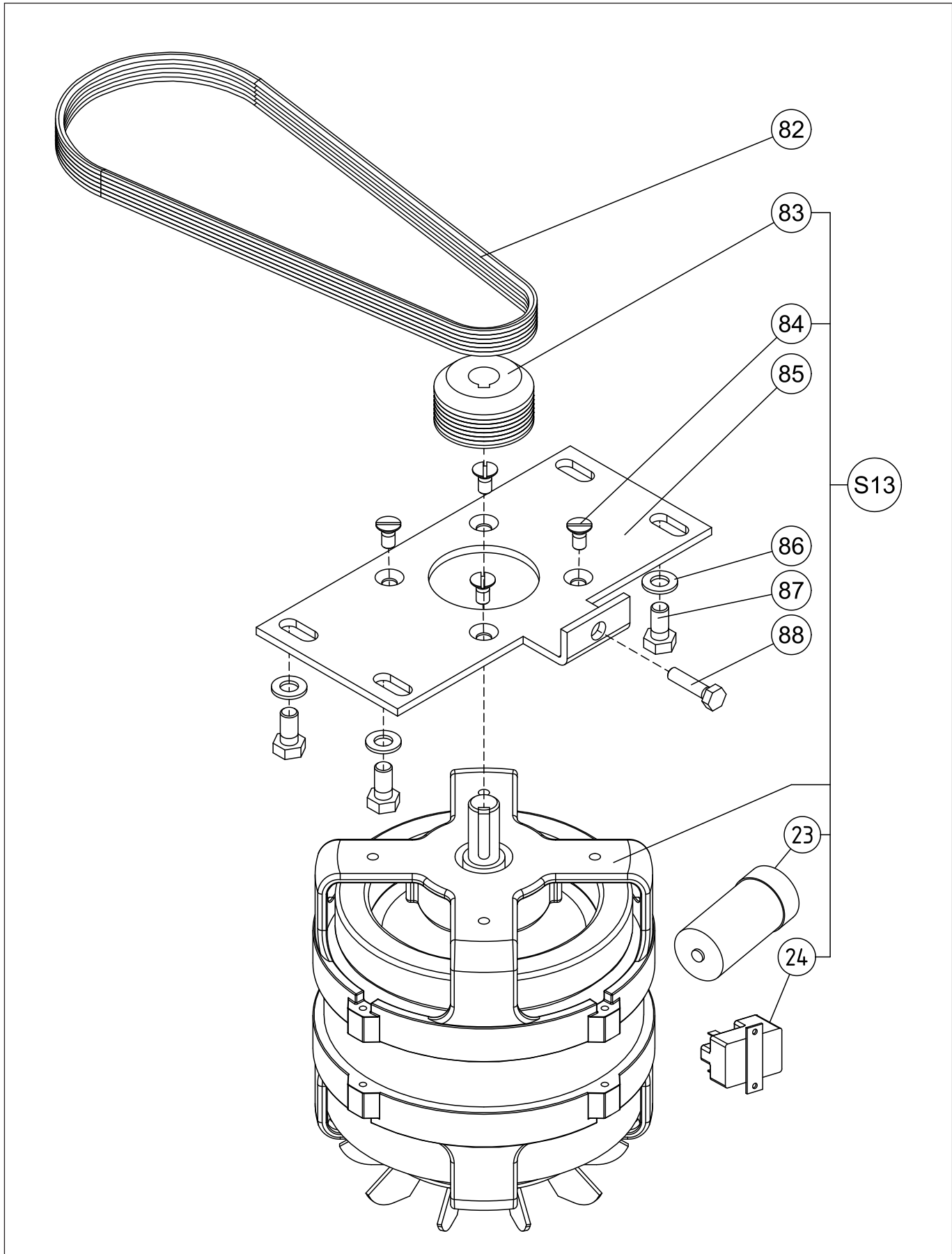
EL40 - Parts list - Casing

Pos.	Code	Description	V	W&T	Ref.	Notes	S/N break
42	0D0705	Cover					
44	0D2877	Washer M3 (set x 10)					
45	033987	Nut M3 (set x 10)					
46	0D2918	Screw PT K30x8 (set x 10)					
47	0D6663	Micro-switch	X				
48	0KQ511	Cheese head screw M3X16 (set x 10)					
49	0D0545	Screw ST M6x8 (set x 10)					
50	0D1567	Cam					
51	0D7194	Stuffing gland					
52	0U0669	Countersunk screw M6x12 (set x 10)					
54	0D0503	Nut M6 (set x 10)					
55	0D0599	Hex head screw M6x45 (set x 10)					
56	0D0583	Cap nut M6 (set x 10)					
57	0D0624	Washer CS M6 (set x 10)					
59	0U0237	Screw TRL M6x20 (set x 10)					
91	0D2633	Power supply lead		X			
92	0D2073	Stuffing gland					
<b>S5</b>	0D1569	Complete micro-switch	X				
<b>S6</b>	0D0906	Cover assembly					
<b>S7</b>	0D2634	Cover spindle assembly					
<b>S8</b>	0D1568	Casing assembly					





Pos.	Code	Description	V	W&T	Ref.	Notes	S/N break
60	653131	Spinning basket					
61	0D2901	Screw TH M6x16 (set x 10)					
62	Voir S9	Washer					
63	Voir S9	Cradle					
64	Voir S11	Shaft					
65	0KQ488	Key (set x 5)					
66	0HD008	Key (set x 5)					
67	0KQ393	Bearing 6304					
68	0D5956	Spacer					
69	0D8256	Bearing 6203					
70	0D2093	Driven pulley					
71	0D2845	Washer M12 (set x 10)					
72	0D0587	Lock nut M12 (set x 10)					
73	Voir S12	Hose					
74	0D0350	Collar (set x 5)					
75	0D1690	Partition + shell assembly					
76	0KI998	Sealing ring (set x 5)	X				
77	0D5925	Felt washer (set x 10)	X				
78	0D0515	O-ring (set x 3)					
79	0D2727	Seal holder					
80	0KQ514	Sealing washer M5 (set x 10)					
81	0KQ407	Screw TH M5x16 (set x 10)					
S9	0D2631	Cradle assembly					
S10	0D1655	Complete mechanism		X			
S11	0D2155	Shaft assembly		X			
S12	0D2628	Hose assembly		X			



Pos.	Code	Description	V	W&T	Ref.	Notes	S/N break
23	0U0471	Capacitor 90MF/230V	X				
24	0D3329	Klixon relay 4CR2-692/230V	X				
82	033106	Drive belt	X				
83	0D1987	Drive pulley					
84	0U0669	Screw TF M6x12 (set x 10)					
85	0D2632	Motor support					
86	0D0632	Washer CS M8 (set x 10)					
87	0D0498	Screw TH M8x16 (set x 10)					
88	0D0595	Screw TH M6x25 (set x 10)					
S13	0D1622	Motor 220-240v/50-60hz assembly	X				

CE