

**ELX65**

---

<b>PNC</b>	<b>Model</b>	<b>Modules</b>	<b>Description</b>	<b>Note</b>
<b>601979</b>	ELX65	<b>B;D;E</b>	VEGETABLE DRYER - PLASTIC BASKET	
<b>601980</b>	ELX65	<b>B;D;G</b>	VEGETABLE DRYER - STAINLESS STEEL BASKET	
<b>601985</b>	ELX65	<b>B;E;G</b>	VEGETABLE DRYER - STAINLESS STEEL BASKET	
<b>601987</b>	ELX65	<b>B;C;F</b>	VEGETABLE DRYER - PLASTIC BASKET	
<b>603651</b>	ELX65	<b>A;D;F</b>	VEGETABLE DRYER - PLASTIC BASKET	
<b>603652</b>	ELX65	<b>A;D;G</b>	VEGETABLE DRYER - STAINLESS STEEL BASKET	

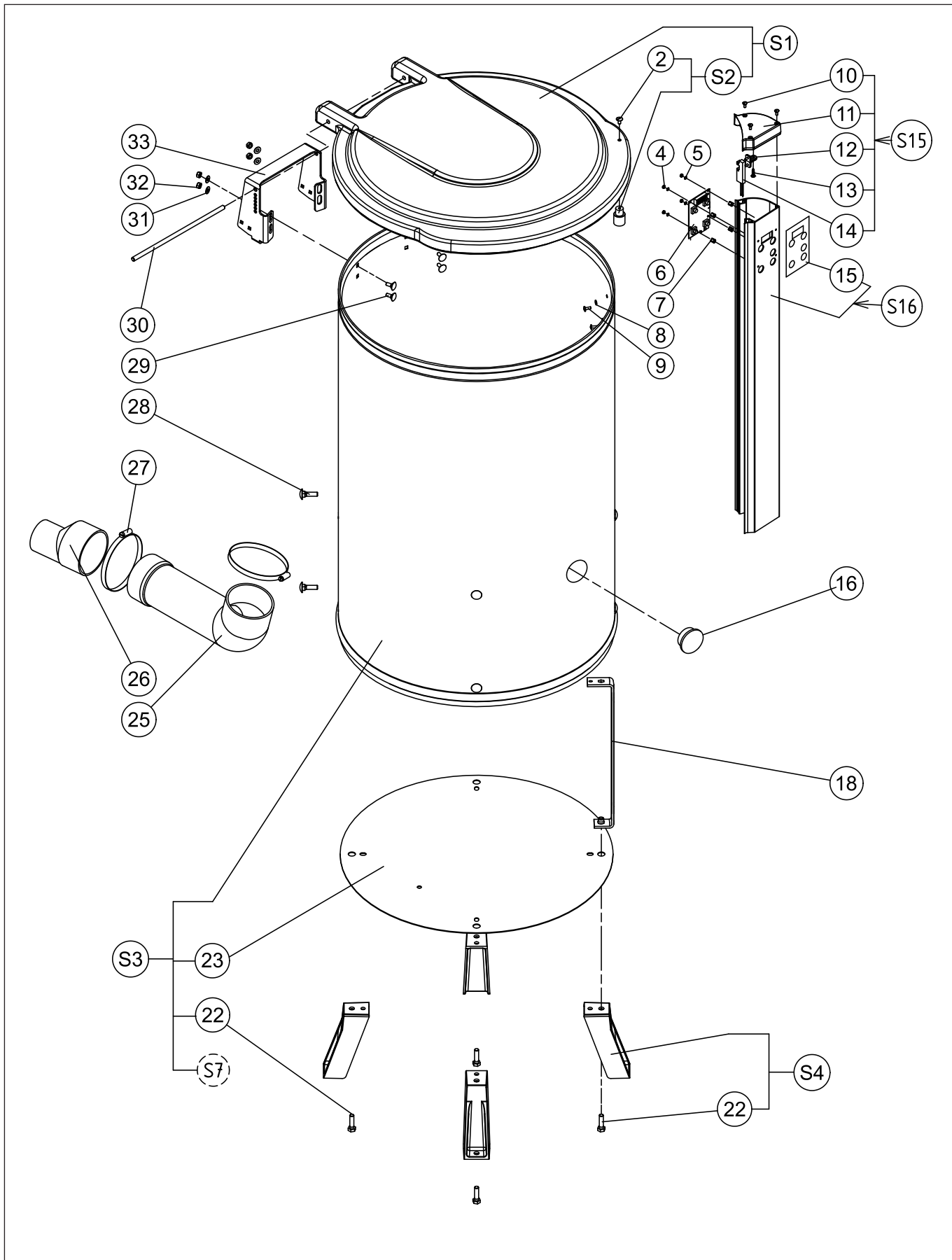


**ELX65****Modules classifications**

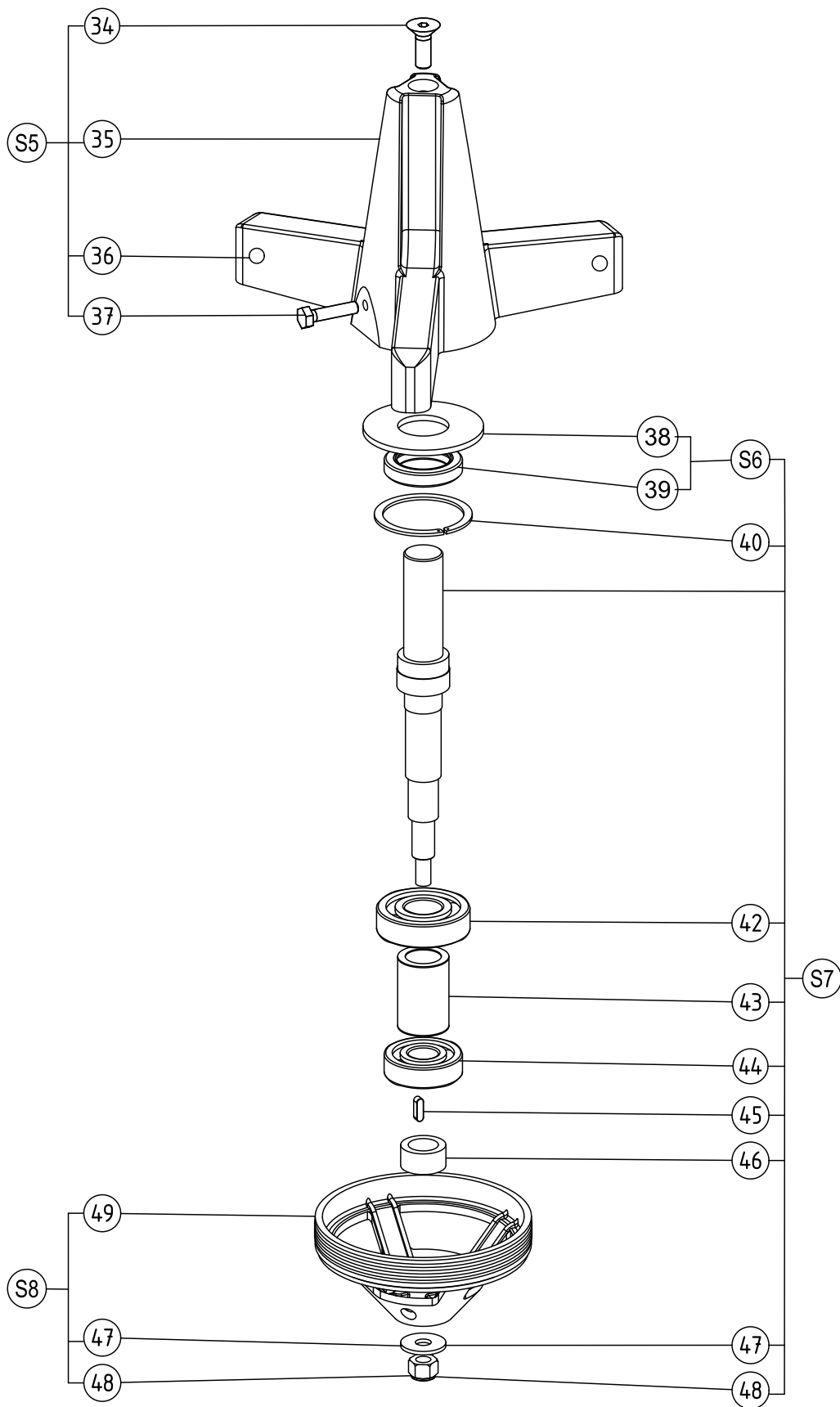
<b>A</b>	DITO SAMA
<b>B</b>	ELECTROLUX PROFESSIONAL
<b>C</b>	1 230/240V 50HZ
<b>D</b>	3 230/400V 50HZ
<b>E</b>	3 230V 60HZ
<b>F</b>	PLASTIC BASKET
<b>G</b>	STAINLESS STEEL BASKET

<b>Pag.</b>	<b>Index</b>
4	Exploded view - Structure
5	Parts list - Structure
6	Exploded view - Mechanism
7	Parts list - Mechanism
8	Exploded view - Motor
9	Parts list - Motor
10	Exploded view - Electrical box
11	Parts list - Electrical box
12	Exploded view - Basket
13	Parts list - Basket

ELX65 - Exploded view - Structure

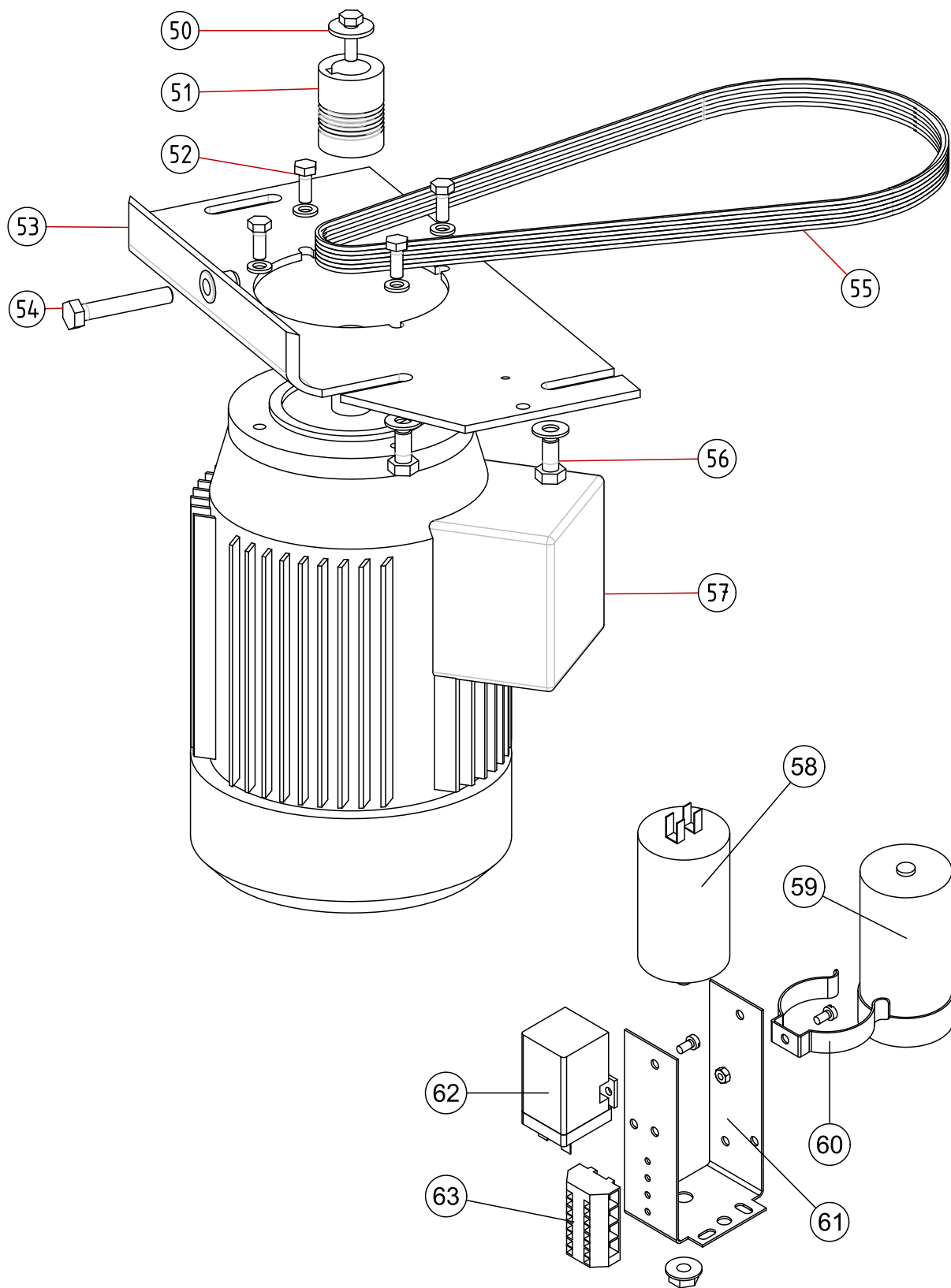


Pos.	Code	Description	V	W&T	Ref.	Notes	S/N break
2	0D0523	Screw RL M5x10 (set x 10)					
4	033987	Hex nut M3 (set x 10)					
5	0D5188	Washer PE M3 (set x 10)					
6	0D5189	Auto Timer card assembly	X				
7	0D5190	Spacer (set x 10)					
8	0D5137	Washer PE M4 (set x 10)					
9	0D0532	Screw RL M4x12 (set x 10)					
10	0D3335	Screw PT WN K40/12 (set x 10)					
11	0D5852	Safety cover support					
12	0D5517	Safety support					
13	0D1009	Screw PTWN K40/16 (set x 10)					
14	0D2670	PLA detector assembly	X				
15	0D7018	Control panel plate		X			
16	0D0298	Plug					
18	0D2159	Pillar					
22	0D6084	Screw H notched base M8x30 (set x 10)					
23	0D2607	Bottom plate					
25	0U0406	Hose					
26	0D5886	Eccentric reducing gear 80-50					
27	0D2891	Collar 80-100 (set x 5)					
28	0D0517	Screw RL M8x16 stainless steel (set x 10)					
29	0D2741	Screw RCC M6x16 stainless steel (set x 10)					
30	0D2624	Cover spindle					
31	0D2878	Washer CS L6 stainless steel (set x 10)					
32	0D1659	Lock nut M6 (set x 10)					
33	0D2669	Cover support assembly					
S1	0D5348	Cover assembly			0DF089	replace	-->45/2023
S2	0D5349	Magnet support assembly					
S3	0D2673	Shell assembly					
S4	0D1696	Foot assembly					
S15	0D5300	Safety cover support assembly					
S16	0D5192	Control support rail assembly					



ELX65 - Parts list - Mechanism

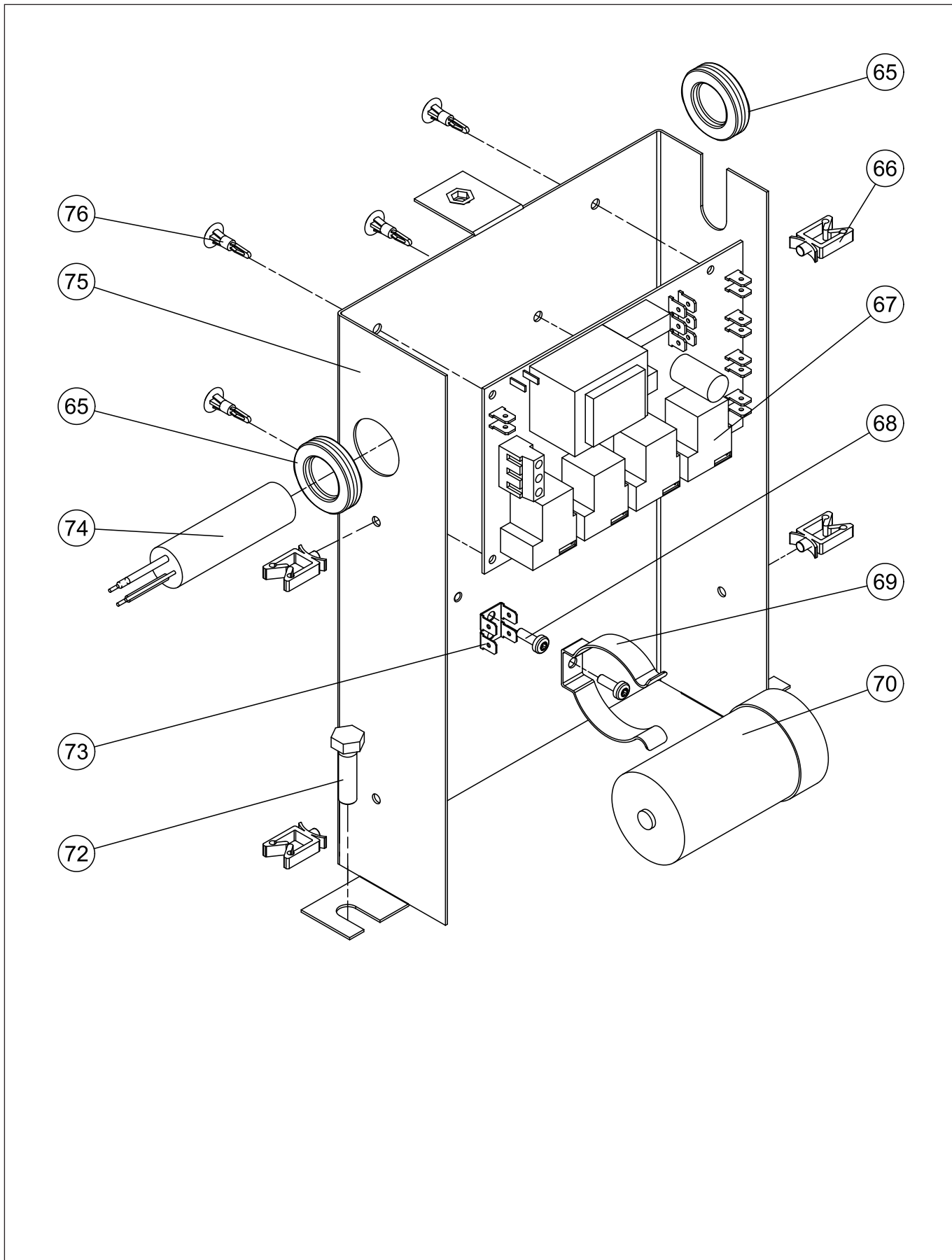
Pos.	Code	Description	V	W&T	Ref.	Notes	S/N break
34	0D3487	Screw M10x30 stainless steel (set x 10)					
35	0D3535	Drive hub					
36	0D2189	Cap GPN300 (set x 10)					
37	0D0591	Hex screw M8x35 (set x 10)					
38	0D3560	Sealing washer (set x 5)		X			
39	0D3533	Lip seal 35x62x7 (set x 5)		X			
40	0U0717	Circlip 62I (set x 10)					
42	0KJ748	Bearing 6305 2RS		X			
43	0D2622	Upper spacer					
44	0KQ393	Ball bearing 6304 2RS		X			
45	0D0646	Key A 5x5x16.5 (set x 5)					
46	0D2623	Lower spacer					
47	0KQ506	Washer 10x27 (set x 10)					
48	0U0651	Lock nut M10 (set x 10)					
49	0D2093	Driven pulley					
S5	0D2672	Drive assembly Sub-Assembly					
S6	0U0718	Seal Sub-Assembly		X			
S7	0D2668	Complete shaft Sub-Assembly		X			
S8	033105	Driven pulley Sub-Assembly					





Pos.	Code	Description	V	W&T	Ref.	Notes	S/N break
50	0KQ512	Hex screw M6x20 (set x 10)					
50	0D3722	Washer 26x6.5x3					
51	0D3425	Drive pulley 50Hz			<b>C;D</b>		
51	0D3424	Drive pulley 60Hz			<b>E</b>		
52	0D0499	Hex screw M6x16 stainless steel (set x 10)					
52	0D0624	Washer CS M6 stainless steel (set x 10)					
53	0D5910	Motor support					
54	0D3488	Hex screw M8x50 stainless steel (set x 10)					
55	0D1669	Drive belt	X				
56	0D0498	Hex screw M8x16 stainless steel (set x 10)					
56	0D2739	Washer CS M8 stainless steel (set x 10)					
57	0D5193	3-phase motor	X		<b>D;E</b>		
57	0D5194	Single phase motor 230V	X		<b>C</b>		
58	0H1044	Running capacitor 20MF	X		<b>C</b>		
59	0KQ203	Start capacitor 115MF	X		<b>C</b>		
60	0D3491	Yoke (set x 5)					
60	0D0609	Cheese head screw M4x6 (set x 10)					
60	0KL159	Hex nut M4 stainless steel (set x 10)					
61	0D6209	Component support					
62	0KQ608	On/Off relay	X		<b>C</b>		
62	0D0609	Cheese head screw M4x6 (set x 10)					
63	0D5135	Terminal block					

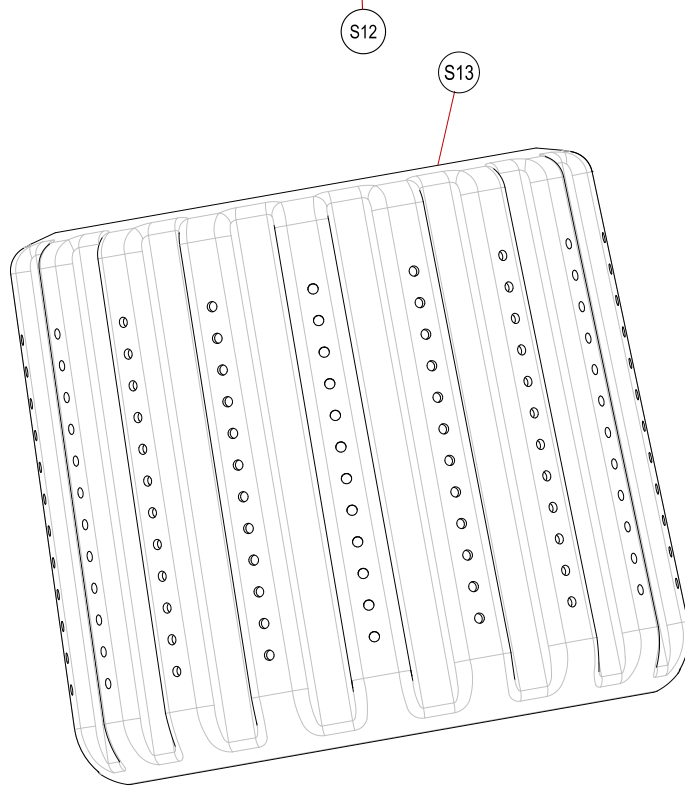
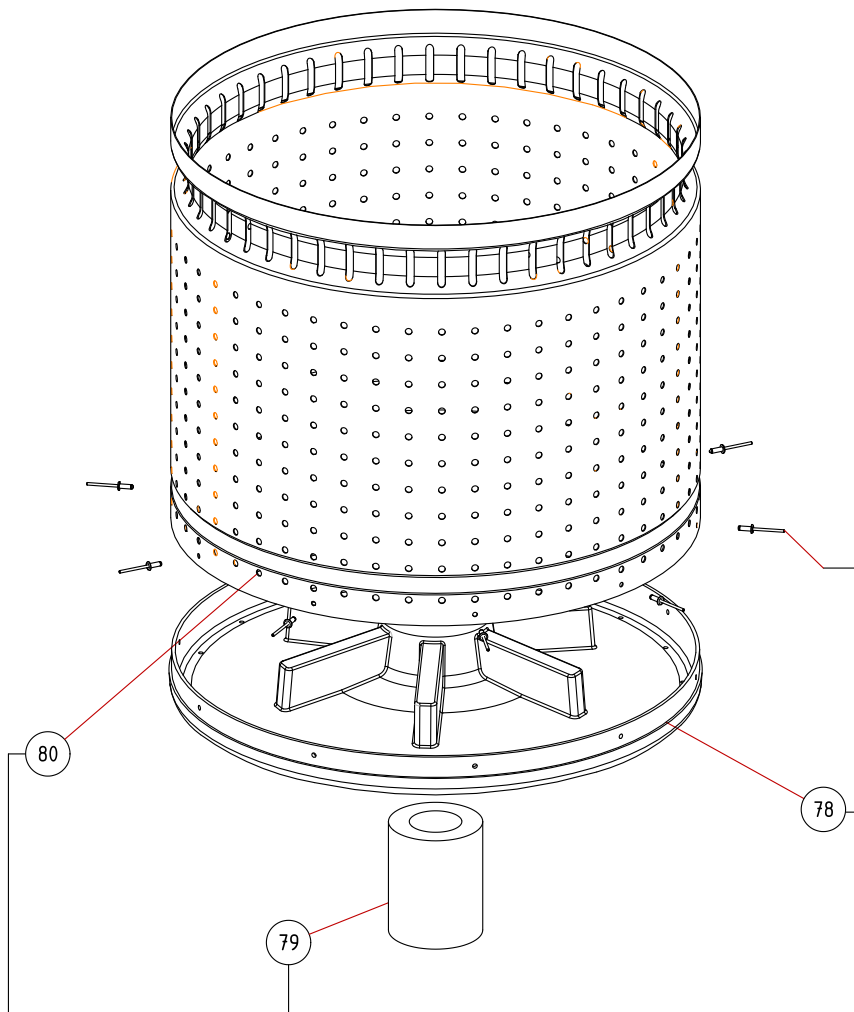
ELX65 - Exploded view - Electrical box



ELX65 - Parts list - Electrical box

Pos.	Code	Description	V	W&T	Ref.	Notes	S/N break
65	0D3031	Grommet					
66	0D5195	Fixing clip (set x 10)					
67	0D7962	3-phase card 230-400 50-60	X		<b>D;E</b>		
67	0KQ429	Single phase card 115-230/50-60	X		<b>C</b>		
68	0D6724	Screw Cx M4x10 (set x 10)					
69	0D3491	Yoke (set x 5)					
69	0D6724	Screw Cx M4x10 (set x 10)					
70	0U0471	Brake capacitor	X				
72	0DF076	Screw H M8x16 (set x 10)					
73	0D3567	Multiplier (set x 5)					
74	0D2667	Three-phase lead		X	<b>D;E</b>		
74	0D5196	Single phase lead		X	<b>C</b>		
75	0D5912	Component support					
76	0D2848	Fixing spacer					

ELX65 - Exploded view - Basket



Pos.	Code	Description	V	W&T	Ref.	Notes	S/N break
78	0D3536	Basket bottom			G		
79	0D2626	Stainless steel basket ring			G		
80	0D3537	Spin plate			G		
S12	653303	Stainless steel basket			G		
S13	653304	Resin basket			F		





CE