

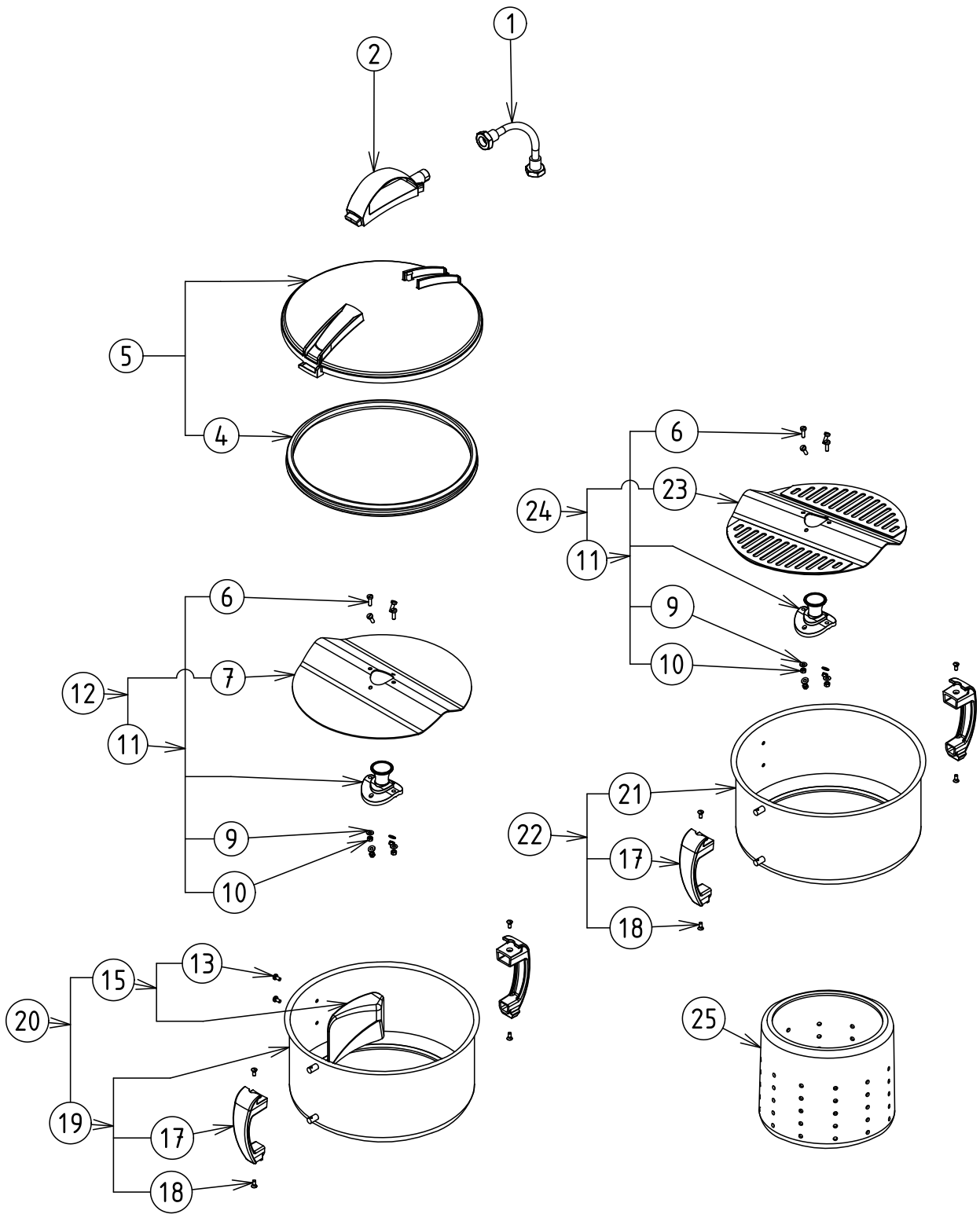
T5E / T5M

PNC	Model	Modules	Description	Note
601302	T5E	B;C;D;F	VEGETABLE PEELER 5KG - REMOVABLE COMPARTMENT - ABRASIVE PLATE - FILTER BASKET INCORPORATED	
601305	T5M	B;C;D;G	VEGETABLE PEELER 5KG - REMOVABLE COMPARTMENT - SPECIAL PLATE SEASHELLS - FILTER BASKET INCORPORATED	
601360	T5E	B;C;E;F	VEGETABLE PEELER 5KG - REMOVABLE COMPARTMENT - ABRASIVE PLATE - FILTER BASKET INCORPORATED	
603498	T5E	A;C;D;F	VEGETABLE PEELER 5KG - REMOVABLE COMPARTMENT - ABRASIVE PLATE - FILTER BASKET INCORPORATED	
603499	T5M	A;C;D;G	VEGETABLE PEELER 5KG - REMOVABLE COMPARTMENT - SPECIAL PLATE SEASHELLS - FILTER BASKET INCORPORATED	

T5E / T5M**Modules classifications**

A	DITO SAMA
B	ELECTROLUX PROFESSIONAL
C	220-240 50/60HZ
D	STANDARD PLUG
E	UK PLUG
F	ABRASIVE PLATE
G	MUSSEL/SHELL PLATE

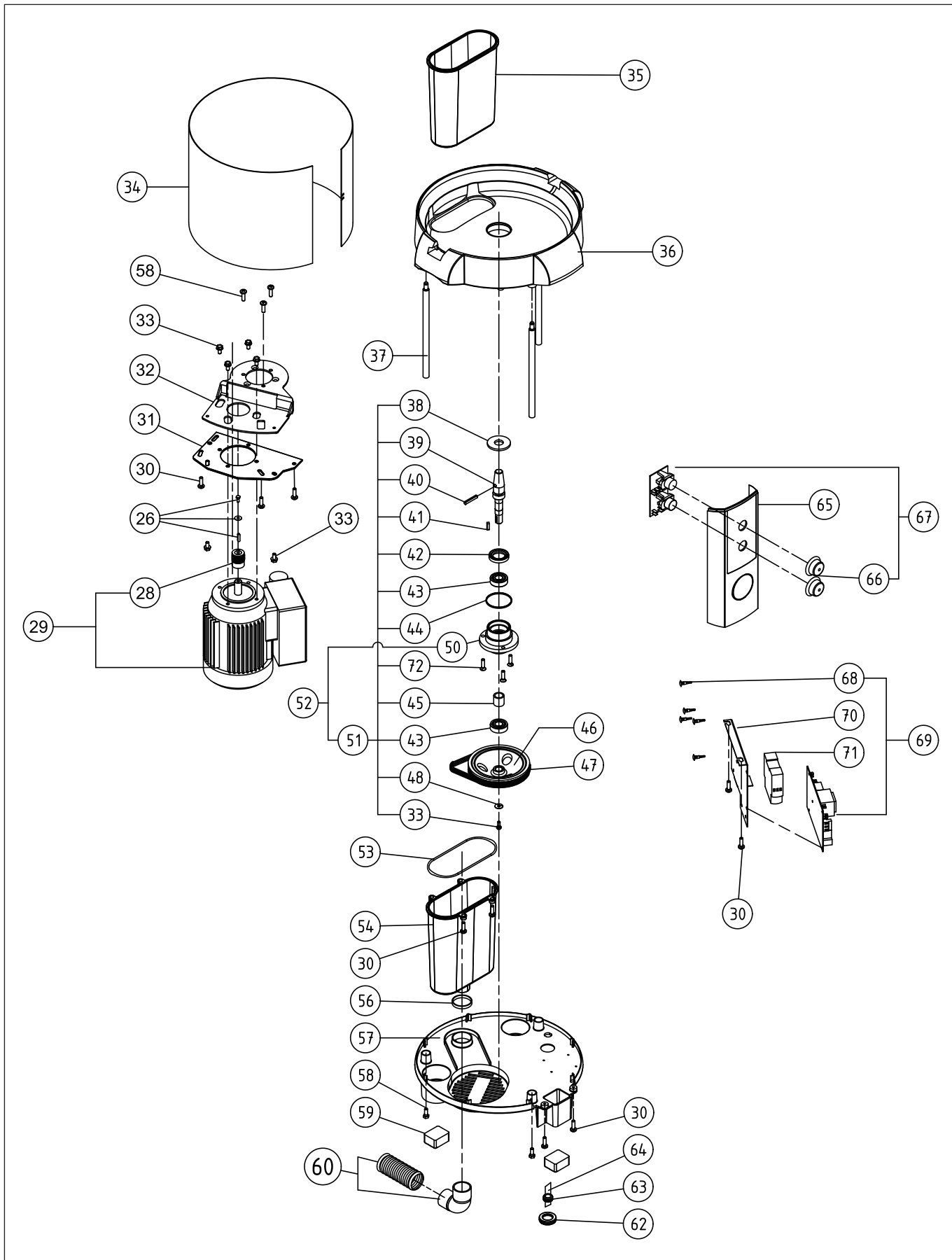
Pag.	Index
4	Exploded view - Bowl-plate
5	Parts list - Bowl-plate
6	Exploded view - Structure mechanism
7	Parts list - Structure mechanism



T5E / T5M - Parts list - Bowl-plate

Pos.	Code	Description	V	W&T	Ref.	Notes	S/N break
1	0D2999	Flexible hose		X			
2	0D2998	Water inlet + jet		X			
4	0D3502	Seal	X				
5	0D3196	Lid assembly		X			
6	0D0607	Screw TCL M5 x 16 (set x 10)					
7	0D3197	Sheet metal plate					
9	0D2297	Washer M5 CS (set x 10)					
10	0D0579	Nut M5 (set x 10)					
11	0D3198	Hub assembly		X			
12	653316	Plate assembly		X			
13	0D3199	Screw TCB posidriv 5x10 (set x 4)					
15	0D3200	Deflector + screws etc					
17	0D6315	Bowl handle					
18	0D2228	Screw TFB M5 x 12 (set x 10)					
19	0D3201	Standard bowl + handles					
20	0D3202	Complete standard bowl					
21	0D3203	Mussels bowl					
22	0D3204	Complete mussels bowl					
23	0D3448	Mussels plate					
24	653486	Mussels plate assembly					
24	653315	Basket					

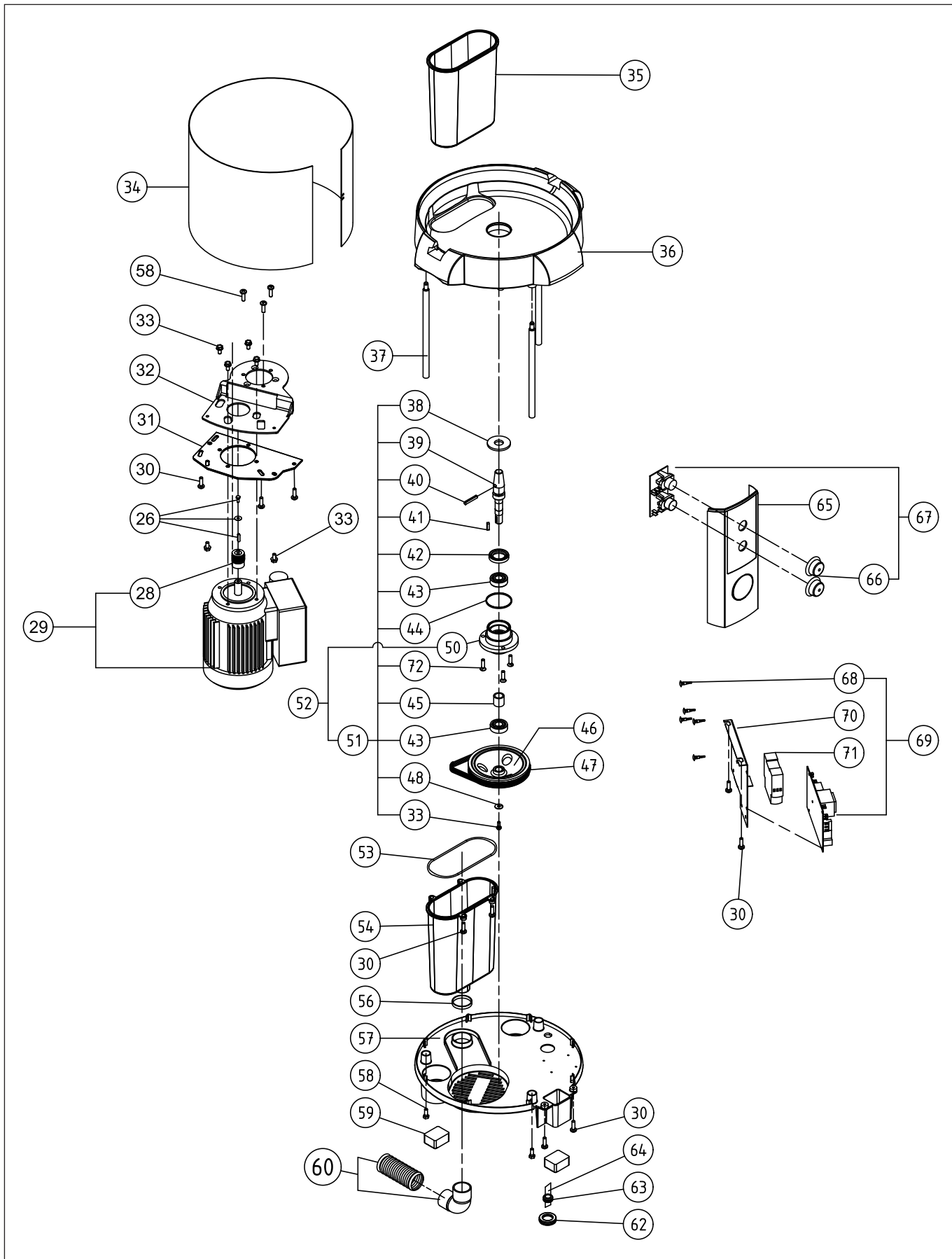
T5E / T5M - Exploded view - Structure mechanism



T5E / T5M - Parts list - Structure mechanism

Pos.	Code	Description	V	W&T	Ref.	Notes	S/N break
28	0D5307	50Hz Drive pulley					
29	0D3205	50Hz standard motor assembly					
29	0D3207	1 230V 50Hz mussels version motor assembly					
30	0D3208	Srew TCB pozidriv 6x20 (set x 10)					
31	0D6318	Motor support					
32	0D7341	Wall reinforcement					
33	0D6786	Screw TH M6 x 12 (set x 10)					
34	0D6319	Collar					
35	653314	Filter					
36	0D6038	Partition					
37	0D6320	Support pillar					
38	0D6321	End shield					
39	0D6323	Shaft					
40	0U0726	Pin 6 x 36 GO6 (set x 5)					
41	0HD006	Key C 4 x 4 x 18 (set x 5)					
42	0KQ579	Seal 24 x 40 x 7 (set x 5)	X				
43	0D0035	Bearing 6202 2RS	X				
44	0KQ704	O-ring 47 x 3	X				
45	0D6324	Spacer					
46	0D6051	Driven pulley 50Hz					
47	0D3930	Belt 432 j7 V	X				
48	0D0625	Washer L5 CS (set x 10)					
50	0D7331	Bearing		X			
51	0D3209	Complete mechanism		X			
52	0D7332	Bearing assembly		X			
53	0KQ538	3 round profile foam seal		X			
54	0D6201	Filter unit		X			
56	0D6200	Clamping ring		X			
57	0D5694	Base					
58	0D2901	Screw TH M6 x 16 (set x 10)					
59	0KQ363	Foot					
60	0D3211	Ø32 flexible drain hose + connection		X			
62	0D3031	Membrane grommet (set x 10)					
63	0D1155	Grommet clip					
64	0D1320	Single phase lead assembly		X			
65	0D5402	Control box					
66	0KR665	Printed circuit buttons kit	X				

T5E / T5M - Exploded view - Structure mechanism



T5E / T5M - Parts list - Structure mechanism

Pos.	Code	Description	V	W&T	Ref.	Notes	S/N break
67	0KJ586	Control card assembly	X				
68	0D2848	Printed circuit fixing spacer (set x 6)					
69	0KQ429	Single phase power card	X				
70	0D6328	Component support					
71	0D3928	Timer relay	X				
72	0D3208	Screw TCB pozidriv 6x20 (set x 10)					

CE